

# Fakra R3C – Straight Male Housing

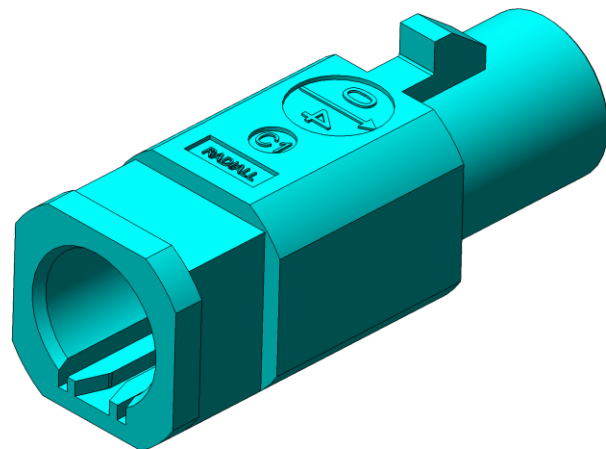
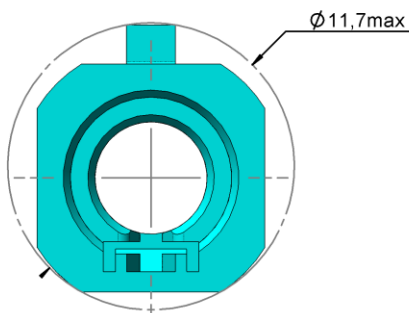
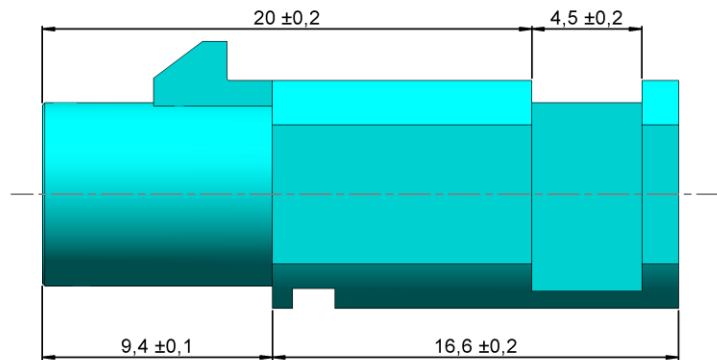
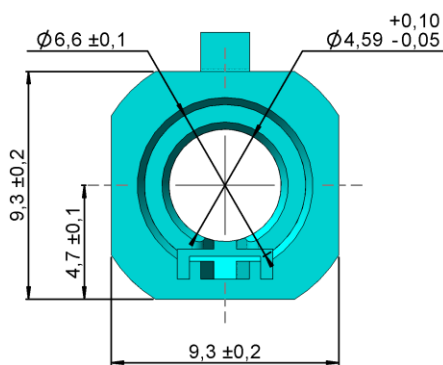
Cable type **RG58 (5/50) & RG59 (5/75)**



R197.135.\_81

TECHNICAL DATA SHEET

Rev	Date	Edited	Approved	Validated	Modification
1	03/12/2018	C.Chavanne	Y.Gay	R.Chantre	Creation



All dimensions are in mm

COMPONENTS	MATERIALS	UL CLASSIFICATION	COLOR
Housing	Polyamide	UL 94 V-2	See page 2

# Fakra R3C – Straight Male Housing

Cable type **RG58 (5/50)** & **RG59 (5/75)**



R197.135.\_81

TECHNICAL DATA SHEET

## Interface

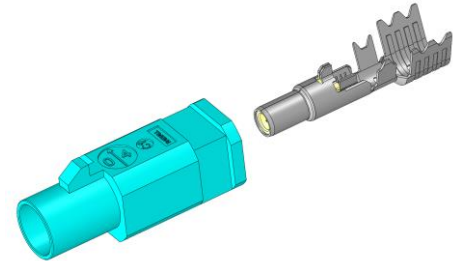
According to

**ISO 20860-1**

## Application

This housing is part of an assembly to create a complete R3C connector. It has to be assembled with a terminal.

Refer to **Assembly Instructions AI\_R3C** to get the corresponding P/N.



## Codings

To obtain the complete part number, please fill in the blank “\_” with the coding letter.



**A**  
Black  
RAL 9005



**B**  
Crème White  
RAL 9001



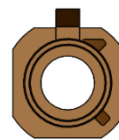
**C**  
Blue  
RAL 5005



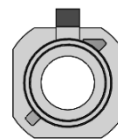
**D**  
Bordeaux  
RAL 4004



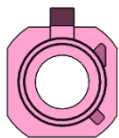
**E**  
Green  
RAL 6002



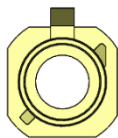
**F**  
Brown  
RAL 8011



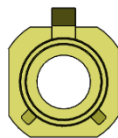
**G**  
Grey  
RAL 7031



**H**  
Violet  
RAL 4003



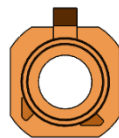
**I**  
Beige  
RAL 1001



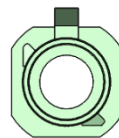
**K**  
Curry  
RAL 1027



**L**  
Carmin  
RAL 3002



**M**  
Pastel Orange  
RAL 2003



**N**  
Pastel Green  
RAL 6019



**Z**  
Water blue  
RAL 5021

**Net weight:** 1.07 g

## Storage condition & Shelf Life

Boxes should be stored indoors, in its original packaging (box + plastic bag), in a controlled climate environment not exceeding -20°C/+40°C and maximum 70% relative humidity. The boxes should be protected from direct sunlight and should be used on a "first-in, first-out" basis.

It is recommended to use this reference within 1 year from the date of manufacture when stored according the recommended storage condition.

## Product Handling

Care must be taken when handling the boxes of housings. They must not fall.

Fakra R3C – Straight Male Housing

Cable type **RG58** (5/50) & **RG59** (5/75)



R197.135.\_81

TECHNICAL DATA SHEET

**Packaging:** 2 welded plastic bags inside cardboard box

Number of housings / Plastic bag: 3000pcs / box: 6000 pcs



**Cardboard box**

Dimensions (WxLxH): 40 x 30 x 20 cm

Weight: ≈ 7.0 kg



**Plastic bags**

## X-ON Electronics

Largest Supplier of Electrical and Electronic Components

*Click to view similar products for [RF Connector Accessories](#) category:*

*Click to view products by [Raydiall](#) manufacturer:*

Other Similar products are found below :

[89674-0712](#) [F702RX24](#) [FERRULE-174](#) [R125802000](#) [R141802000](#) [R141805000](#) [R141842000](#) [R161844000](#) [R161862000](#) [R161862000W](#)  
[R280752000](#) [R280907000](#) [R694261906](#) [RFI21-13](#) [RFI375-12-D3](#) [RFI75-13-D2](#) [RFI75-3](#) [RFI75-4-D2](#) [RFI97-13](#) [AX102906](#) [AX102907](#)  
[18097-0013](#) [HP-375](#) [HP-500](#) [2098-0294-00](#) [2098-3251-94](#) [KA-81-05](#) [89674-0805](#) [F1](#) [FERRULE-223](#) [202102-11](#) [213337-1](#) [220222-2](#)  
[24092671A](#) [24092678A](#) [R161841000](#) [R280468000](#) [R280510000](#) [R282862060](#) [RFI155-1](#) [RFI25-12-D3](#) [RFI25-5](#) [RFI25-5-D3](#) [RFI75-12-D2](#)  
[RFI75-2-D2](#) [RFI75-4-D3](#) [RFI77-6](#) [RFI97-14](#) [360HS001M2508M6](#) [4-1532137-4](#)