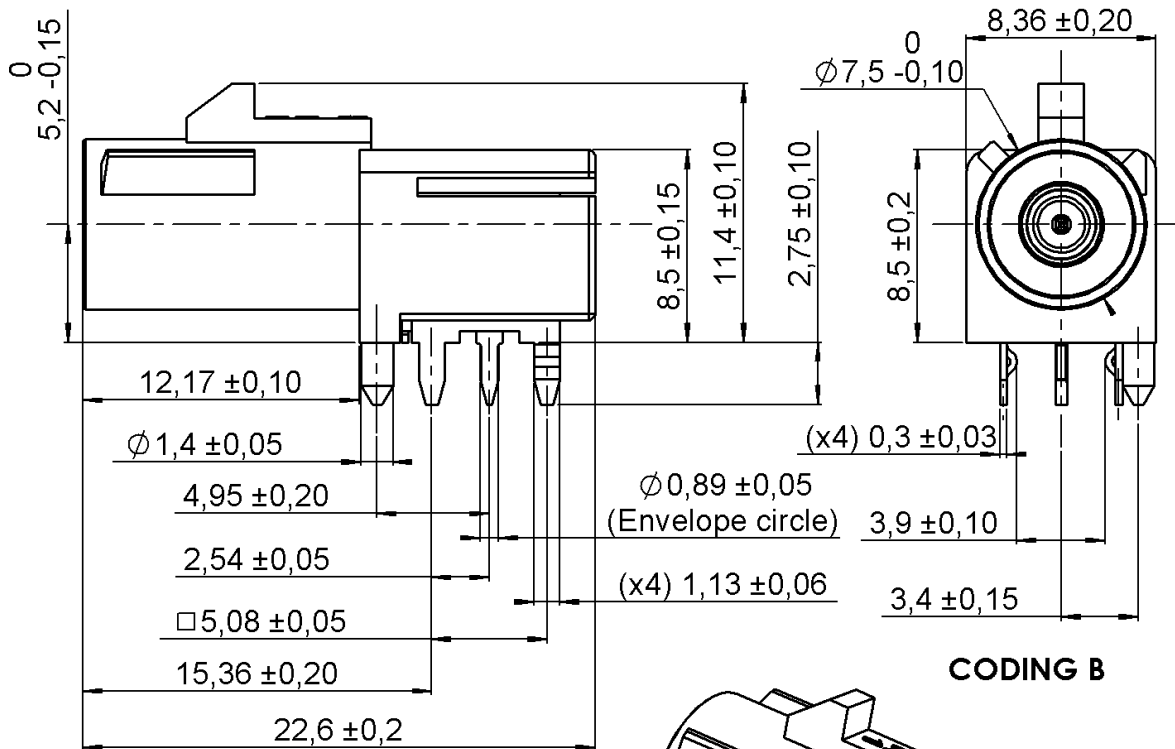


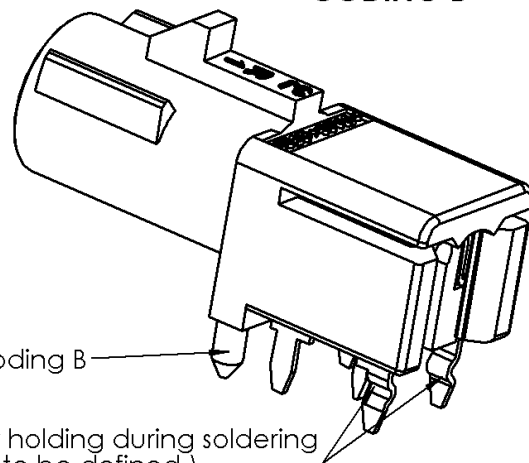
**R/A MALE RECEPTACLE FOR PCB**  
**PICOT A SOUDER - COND. PLAT. PAR 225**

**R197.166.B14**

Series : **SMB**  
**CARLOCK**



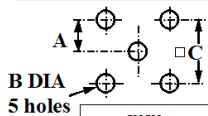
**CODING B**



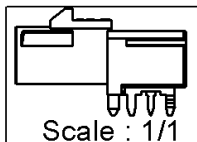
Poka yoke coding B

Retention system for holding during soldering  
(max insertion force to be defined)

**PANEL CUT OUT**

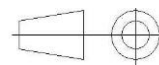


	mm	
	Maxi	mini
A	2.59	2.49
B	1.45	1.35
C	5.13	5.03



Scale : 1/1

All dimensions are in mm.



(µm)

COMPONENTS	MATERIALS	PLATING
<b>BODY</b>	<b>BRASS HR (BL9)</b>	<b>TIN 3 OVER NICKEL 2</b>
<b>CENTER CONTACT</b>	<b>BRASS HR (BL9)</b>	<b>SELECTIVE GOLD+ SELECTIVE TIN</b>
<b>OUTER CONTACT</b>	-	-
<b>INSULATOR</b>	<b>PA 6.6 30% GF (Polyamide)</b>	-
<b>GASKET</b>	-	-
<b>OTHERS PARTS</b>	-	-
-	-	-
-	-	-
<b>HOUSING</b>	<b>PA66 or PA46 30% GF (Polyamide)</b>	<b>UL CLASSIFICATION</b>   <b>COLOR</b>
		<b>UL 94HB</b>   <b>WHITE RAL 9001</b>

\* According to FAKRA specification

Issue : 1239 A

In the effort to improve our products, we reserve the right to make changes judged to be necessary.



**R/A MALE RECEPTACLE FOR PCB**  
**PICOT A SOUDER - COND. PLAT. PAR 225**

**R197.166.B14**

Series : **SMB**  
**CARLOCK**

**PACKAGING**

**SPECIFICATION**

Standard	Unit	Other
<b>225</b>	-	<b>Contact us</b>

**ELECTRICAL CHARACTERISTICS**

**ENVIRONMENTAL**

Impedance **50** Ω  
 Frequency **0-3** GHz  
 VSWR **1.42\*** + **0,0000** x F(GHz) Maxi  
 Insertion loss **NA** √F(GHz) dB Maxi  
 RF leakage - ( **NA** - F(GHz)) dB Maxi  
 Voltage rating **335** Veff Maxi  
 Dielectric withstanding voltage **1000** Veff mini  
 Insulation resistance **1000** MΩ mini

Operating temperature **-40/+90** ° C  
 Hermetic seal **NA** Atm.cm3/s  
 Panel leakage **NA**

**OTHER CHARACTERISTICS**

Assembly instruction

Others :  
 \*Coax Transmission Line Only

Connector to be handplaced on PCB

**MECHANICAL CHARACTERISTICS**

Center contact retention  
 Axial force – Mating end **10** N mini  
 Axial force – Opposite end **10** N mini  
 Torque **NA** N.cm mini

Recommended torque  
 Mating **NA** N.cm  
 Panel nut **NA** N.cm

Mating life **100** Cycles mini  
 Weight **1,8400** g

PCB insertion force : Maximum insertion force **TBD**

Issue : 1239 A

In the effort to improve our products, we reserve the right to make changes judged to be necessary.

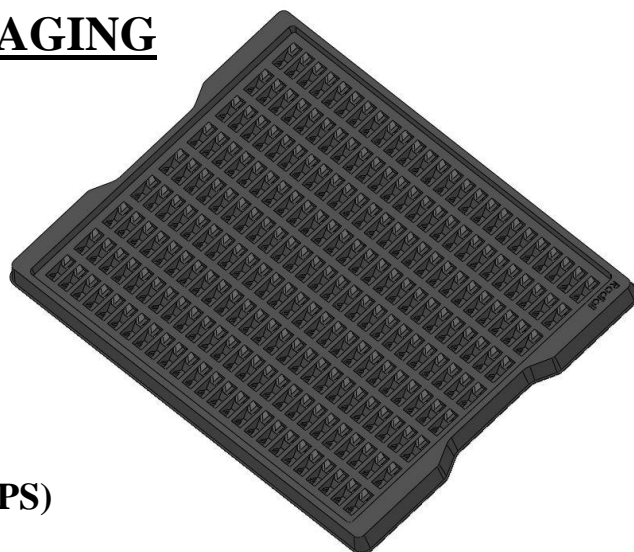




**R/A MALE RECEPTACLE FOR PCB****R197.166.B14****PICOT A SOUDER - COND. PLAT. PAR 225**Series : **SMB**  
**CARLOCK**

## PACKAGING

### ⇒ TRAY:

*Hot formed tray*External dimensions : **390 x 300 x 17 mm**Material : **Electrostatic black Polyester (PS)**Number of connectors per tray: **225**

### ⇒ CARTON BOX:

RADIALL standard carton box : **20L**Inside dimensions : **390 x 300 x 200 mm**Number of trays per carton box : **15 (14 + 1 empty on the top for the protection)**Number of connectors per carton box : **3150**Minimum Order Quantity of connectors  
needs to be multiple by : **3150**

Issue : 1239      A

In the effort to improve our products, we reserve the right to make changes judged to be necessary.

**RAYDIAL**  
**AUTOMOTIVE**

## X-ON Electronics

Largest Supplier of Electrical and Electronic Components

*Click to view similar products for [RF Connectors / Coaxial Connectors](#) category:*

*Click to view products by [Raydiall](#) manufacturer:*

Other Similar products are found below :

[8915-1511-000](#) [89674-0827](#) [6001-7071-019](#) [6002-7051-003](#) [6002-7551-202](#) [6059674-1](#) [619550-1](#) [630059-000](#) [M39030/3-01N](#) [M3933/25-36N](#) [6500-7071-046](#) [6769](#) [CX050L2AQ](#) [7002-1542-011](#) [7002-1572-002](#) [7004-1512-000](#) [7009-1511-004](#) [7010-1511-000](#) [7029-1511-060](#) [7101-1541-010](#) [7101-1571-002](#) [7105-1521-002](#) [7145-1521-002](#) [7203-1571-003](#) [7209-1511-011](#) [7210-1511-015](#) [7210-1511-019](#) [73137-5015](#) [73216-2241](#) [7325-1512-000](#) [73404-2300](#) [7405-1521-005](#) [7405-1521-802](#) [7406-1521-005](#) [8527](#) [8547](#) [FS11V](#) [8808-1511-001](#) [9049-9513-000](#) [9074-9513-000](#) [9101-9573-002](#) [910A205F](#) [9130-9573-002](#) [PL11SC-026](#) [PL375-33](#) [PL40-5](#) [PL71-9](#) [PL74C-221](#) [PL75MC-217](#) [PL803-7](#)