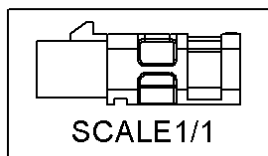
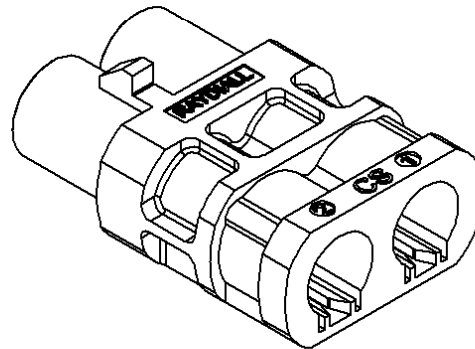
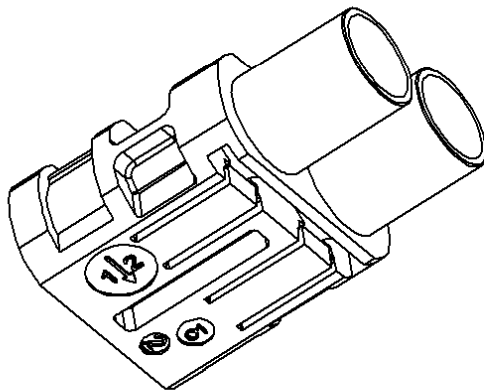
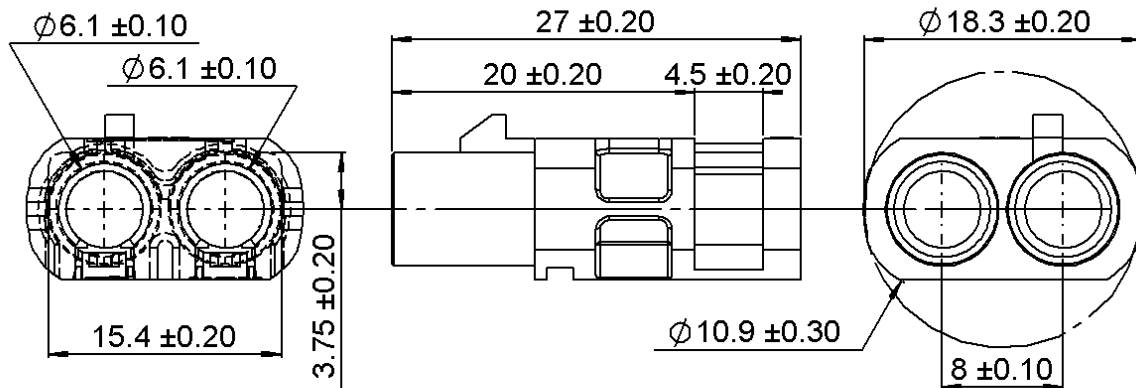


8MM DUPLEX R3C MALE HOUSING+CRIMP SLEEVE

R197.235._82

Series: **SMB CARLOCK**

To obtain th complete P/N please fill in the blank "_" with the coding letter



Housing to be used with:

R299.197.000 + R299.197.900
R299.197.010 + R299.197.900

All dimensions are in mm.

COMPONENTS	MATERIALS	PLATING	
		UL CLASSIFICATION	COLOR
HOUSING	PA6.6 GF15 (POLYAMIDE)	UL 94 V-2	(µm)
			See Page2

PACKAGING

Standard	Other
3000	Contact us

MECHANICAL CHARACTERISTICS

ENVIRONMENTAL

Mating life **100** Cycles mini
 Weight **1,91** g

Operating temperature **-40/+110 °C**

Issue : 1609 A

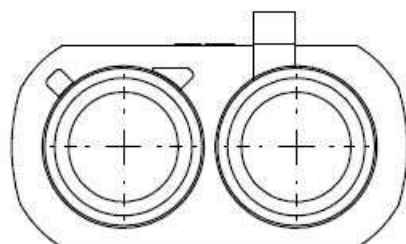
In the effort to improve our products, we reserve the right to make changes judged to be necessary.



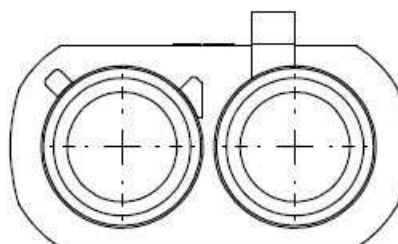
8MM DUPLEX R3C MALE HOUSING+CRIMP SLEEVE

R197.235._82

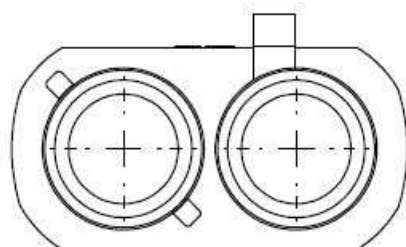
Series: **SMB CARLOCK**



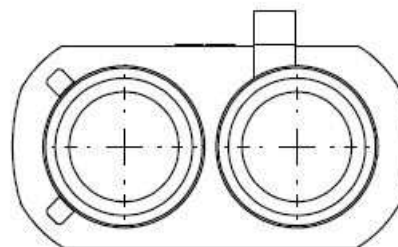
CODING A
COLOR BLACK
RAL9005



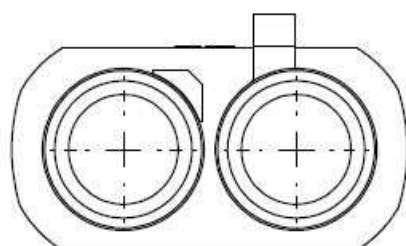
CODING B
COLOR WHITE
RAL9001



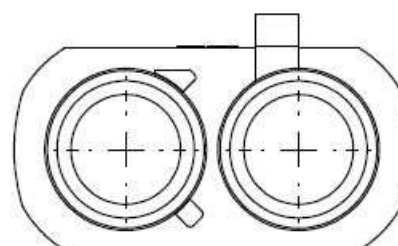
CODING C
COLOR BLUE
RAL5005



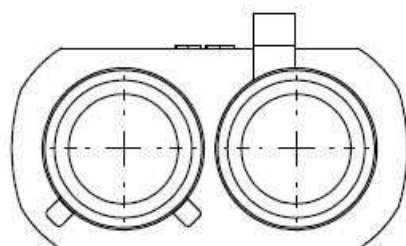
CODING D
COLOR VIOLET
RAL4004



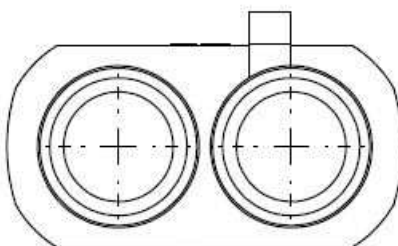
CODING E
COLOR GREEN
RAL6002



CODING F
COLOR BROWN
RAL8011



CODING K
COLOR CURRY
RAL1027



CODING Z
COLOR WHITE
RAL5021

-For other Coding, please contact us

-To obtain the complete P/N please fill in the blank " _ " with the coding letter

Issue : 1609 A

In the effort to improve our products, we reserve the right to make changes judged to be necessary.



8MM DUPLEX R3C MALE HOUSING+CRIMP SLEEVE

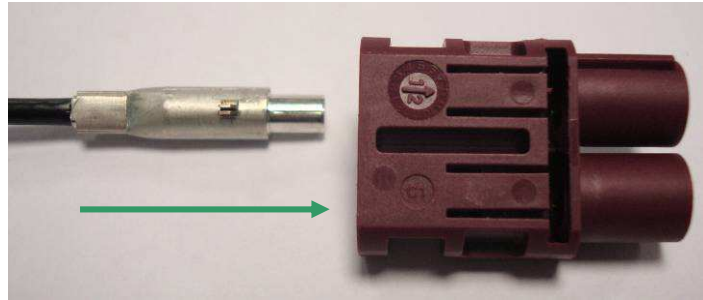
R197.235._82

Series: SMB CARLOCK

RECOMMENDED MOUNTING PROCEDURE

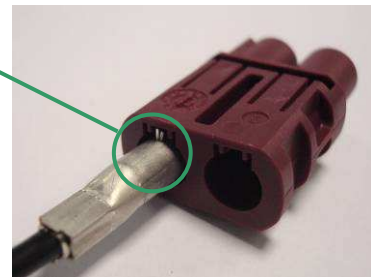
1

● **Pre-insertion of the coax into the housing**



● **Orientation of the tab of the coax with the slot of the housing.**

Orientation of the slot

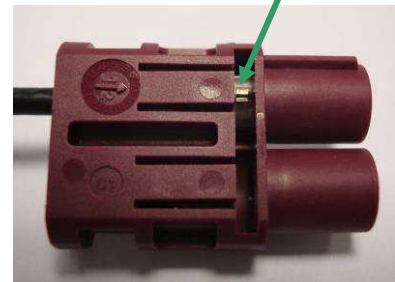


2

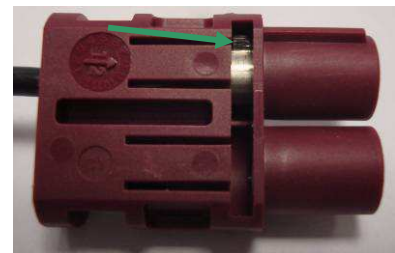
● **Push the connector into the housing until it clip on.**



● **Rotate the coax 180° into the housing to insure the positioning**



● **Repeat the operation 1 and 2 to insert the coax into the second way.**



Issue : 1609 A

In the effort to improve our products, we reserve the right to make changes judged to be necessary.

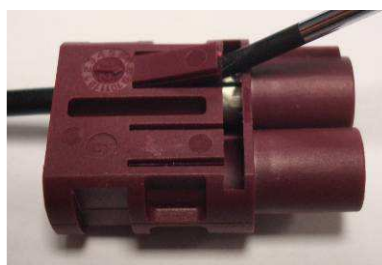
8MM DUPLEX R3C MALE HOUSING+CRIMP SLEEVE

R197.235._82

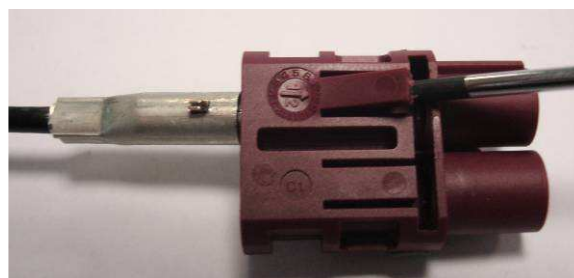
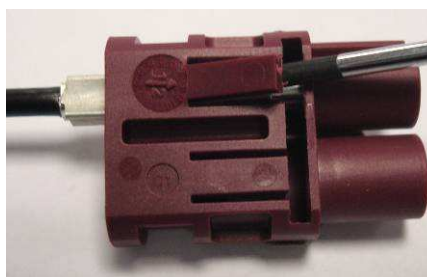
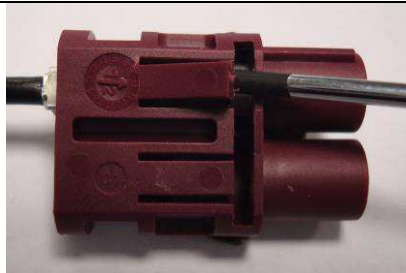
Series: SMB CARLOCK

RECOMMENDED DISASSEMBLING PROCEDURE**1**

- To unlock the coax from the housing, rotate the coax until the tab is not in front of the elastic finger of the housing.
- insert a screw driver between the elastic finger and the slot of the housing as shown on the picture.
- Tip down the screw driver as shown on the picture to lift up the elastic finger until you have enough room.

**2**

- Hold on the elastic finger up and rotate the coax until the tab is in front of the elastic finger of the housing. (you can use the crimping of the jacket as a reference).
- pull on the cable assembly to remove the coax from the housing.
- Repeat the operation 1 and 2 to remove the coax from the second way.

**WARNING!**

Do not use anymore the housing after removing it.

Issue : 1609 A

In the effort to improve our products, we reserve the right to make changes judged to be necessary.

RAYDIALL
AUTOMOTIVE

X-ON Electronics

Largest Supplier of Electrical and Electronic Components

Click to view similar products for [RF Connector Accessories](#) category:

Click to view products by [Raydiall](#) manufacturer:

Other Similar products are found below :

[89674-0712](#) [F702RX24](#) [FERRULE-174](#) [R125802000](#) [R141802000](#) [R141805000](#) [R141842000](#) [R161844000](#) [R161862000](#) [R161862000W](#)
[R280752000](#) [R280907000](#) [R694261906](#) [RFI21-13](#) [RFI375-12-D3](#) [RFI75-13-D2](#) [RFI75-3](#) [RFI75-4-D2](#) [RFI97-13](#) [AX102906](#) [AX102907](#)
[18097-0013](#) [HP-375](#) [HP-500](#) [2098-0294-00](#) [2098-3251-94](#) [KA-81-05](#) [89674-0805](#) [F1](#) [FERRULE-223](#) [202102-11](#) [213337-1](#) [220222-2](#)
[24092671A](#) [24092678A](#) [R161841000](#) [R280468000](#) [R280510000](#) [R282862060](#) [RFI155-1](#) [RFI25-12-D3](#) [RFI25-5](#) [RFI25-5-D3](#) [RFI75-12-D2](#)
[RFI75-2-D2](#) [RFI75-4-D3](#) [RFI77-6](#) [RFI97-14](#) [360HS001M2508M6](#) [4-1532137-4](#)