

Ferrule - Fakra R3C Straight

Cable type

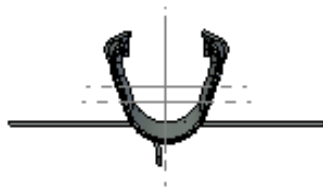
RG174 (2.8/50) / RTK (3.2/50)



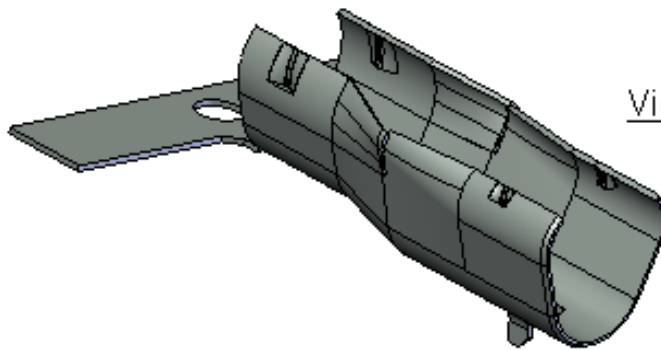
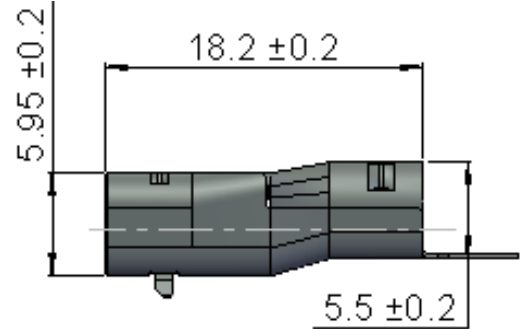
R299.197.974

TECHNICAL DATA SHEET

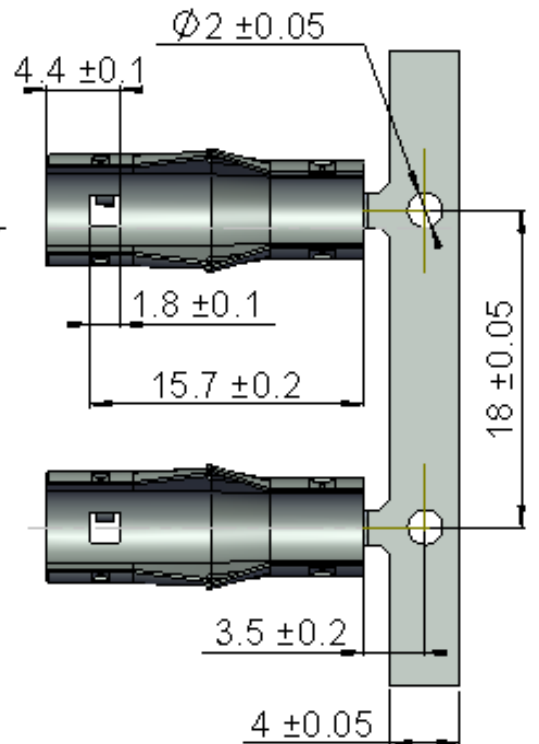
Rev	Date	Edited	Approved	Validated	Modification
1	02/05/2018	T.Mbuyi			Creation



View F



View F



These ferrule could be used with terminal:

- R299.197.000/R299.197.200
- R299.197.010/R299.197.210

All dimensions are in mm

COMPONENTS	MATERIALS	PLATING
Ferrule	Brass	Tin 3 over nickel 1

Ferrule - Fakra R3C Straight

Cable type

RG174 (2.8/50) / RTK (3.2/50)



R299.197.974

TECHNICAL DATA SHEET

Application

This ferrule is part of an assembly to create a complete R3C connector. It has to be assembled with a terminal and a housing.

Refer to **AI_R3C** to get the corresponding P/N.

Refer to **CS_R3C** to get the crimping instructions.

Net weight: 0.69g

Storage condition & Shelf Life

Reel of ferrule should be stored indoors, in its original packaging (box + plastic bag), in a controlled climate environment not exceeding -20°C/+40°C and maximum 70% relative humidity. The reels should be protected from direct sunlight and should be used on a "first-in, first-out" basis.

It is recommended that connector be used within 1 year from the date of reception, when stored according to the recommended storage condition.

Product Handling

Care must be taken when handling the reels of ferrules during all stages of production. Especially, the reels should not be damaged. It could cause troubles during the ferrule crimping operation.

Ferrule - Fakra R3C Straight

Cable type

RG174 (2.8/50) / RTK (3.2/50)

RAYDIALL
AUTOMOTIVE

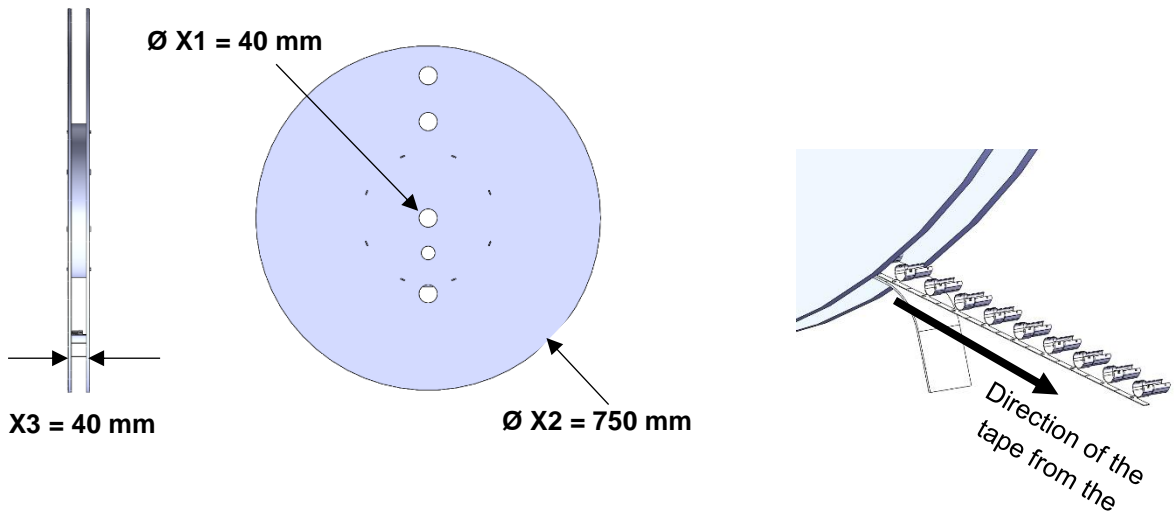
R299.197.974

TECHNICAL DATA SHEET

Packaging

Primary packaging cardboard reel

- Reel Weight \approx 3.5 kg
- Number of pieces by reel: $2500 \pm 2\%$.



Secondary packaging: Pallet

- Size: 80x80x90 cm
- Weight \approx 72 kg
- 1 pallet contains 15 cardboard reels.
- Number of pieces per pallet = 37 500 pcs



X-ON Electronics

Largest Supplier of Electrical and Electronic Components

Click to view similar products for [RF Connector Accessories](#) category:

Click to view products by [Raydiall](#) manufacturer:

Other Similar products are found below :

[89674-0712](#) [F702RX24](#) [FERRULE-174](#) [R125802000](#) [R141802000](#) [R141805000](#) [R141842000](#) [R161844000](#) [R161862000](#) [R161862000W](#)
[R280752000](#) [R280907000](#) [R694261906](#) [RFI21-13](#) [RFI375-12-D3](#) [RFI75-13-D2](#) [RFI75-3](#) [RFI75-4-D2](#) [RFI97-13](#) [AX102906](#) [AX102907](#)
[18097-0013](#) [HP-375](#) [HP-500](#) [2098-0294-00](#) [2098-3251-94](#) [KA-81-05](#) [89674-0805](#) [F1](#) [FERRULE-223](#) [202102-11](#) [213337-1](#) [220222-2](#)
[24092671A](#) [24092678A](#) [R161841000](#) [R280468000](#) [R280510000](#) [R282862060](#) [RFI155-1](#) [RFI25-12-D3](#) [RFI25-5](#) [RFI25-5-D3](#) [RFI75-12-D2](#)
[RFI75-2-D2](#) [RFI75-4-D3](#) [RFI77-6](#) [RFI97-14](#) [360HS001M2508M6](#) [4-1532137-4](#)