



RAYSTAR

曜凌光電股份有限公司

住址: 42878 台中市大雅区科雅路 25 號 5F WEB: <http://www.Raystar-Optronics.com>
5F., No.25, Keya Rd., Daya Dist., Taichung E-mail: sales@raystar-optronics.com
City 428, Taiwan Tel:886-4-2565-0761 Fax : 886-4-2565-0760

RFF500B-AIW-DNB

SPECIFICATION

CUSTOMER:

| | |
|--------------------|--|
| APPROVED BY | |
| PCB VERSION | |
| DATE | |

FOR CUSTOMER USE ONLY

| SALES BY | APPROVED BY | CHECKED BY | PREPARED BY |
|-----------------|--------------------|-------------------|--------------------|
| | | | |

Release DATE:

TFT Display Inspection Specification: <https://www.raystar-optronics.com/download/products.htm>

Precaution in use of TFT module: <https://www.raystar-optronics.com/download/declaration.htm>

Revision History

| VERSION | DATE | REVISED PAGE NO. | Note |
|---------|------------|------------------|-------------|
| 0 | 2018/08/30 | | First issue |

RAYSTAR OPTRONICS

Contents

1. Module Classification Information
2. Summary
3. General Specification
4. Interface
5. Contour Drawing
6. Absolute Maximum Ratings
7. Electrical Characteristics
8. Optical Characteristics
9. Reliability
10. Touch Panel Information
11. Other

1.Module Classification Information

| | | | | | | | | | | | | |
|----------|----------|----------|-----------|-----------|----------|----------|----------|----------|----------|----------|----------|----------|
| R | F | F | 50 | 0B | - | A | I | W | - | D | N | B |
| 1 | 2 | 3 | 4 | 5 | - | 6 | 7 | 8 | - | 9 | 10 | 11 |

| Item | Description | |
|------|---|--|
| 1 | R : Raystar Optonics Inc. | |
| 2 | Display Type : F→TFT Type, J→ Custom TFT | |
| 3 | Solution: A: 128x160 B:320x234 C:320x240 D:480x234 E:480x272 F:800x480 G:640x480 H:1024x600 I:320x480 J:240x320 K:1280x800 L:240x400 M:1024x768 N:128x128 O:480x800 P:640x320 Q:800x600 S:480x128 T:800x320 | |
| 4 | Display Size : 5.0" TFT | |
| 5 | Version Code. | |
| 6 | Model Type: A : TFT LCD E : TFT+FR+CONTROL BOARD J : TFT+FR+A/D BOARD N : TFT+FR+A/D BOARD+CONTROL BOARD S : TFT+FR+POWER BOARD (DC TO DC) 1 : TFT+CONTROL BOARD | 6 : TFT+FR H : TFT+D/V BOARD I : TFT+FR+D/V BOARD B : TFT+POWER BD |
| 7 | Polarizer Type, Temperature range, View direction | I→Transmissive, W. T, 6:00 ; C→Transmissive, N. T, 6:00 L→Transmissive, W.T,12:00 ; F→Transmissive, N.T,12:00 Y→Transmissive,W.T, IPS TFT ; A→Transmissive, N.T, IPS TFT Z→Transmissive, W.T, O-TFT R→Transmissive, Super W.T, O-TFT N→Transmissive, Super W.T, 6:00; Q→Transmissive, Super W.T, 12:00 V→Transmissive, Super W.T, VA TFT |
| 8 | Backlight | W : LED, White H : LED, High Light White F : CCFL, White |
| 9 | Driver Method | D: Digital A: Analog L : LVDS M:MIPI |
| 10 | Interface | N : without control board A : 8Bit B : 16Bit S:SPI Interface R: RS232 U:USB I: I2C |
| 11 | TS | N : Without TS S : resistive touch panel C : capacitive touch panel capacitive touch panel (G-F-F) G : capacitive touch panel(G-G) |

2.Summary

TFT 5.0” is a TN transmissive type color active matrix TFT liquid crystal display that use amorphous silicon TFT as switching devices. This module is a composed of a TFT_LCD module, It is usually designed for industrial application and this module follows RoHs,

RAYSTAR OPTRONICS

3.General Specifications

- Size: 5.0 inch
- Dot Matrix: 800× 3(RGB) × 480 dots
- Module dimension: 147.0(W) ×104.0(H) ×4.8mm
- Active area: 108(W) ×64.8 (H) mm
- Dot pitch: 0.135(W) ×0.135(H) mm
- LCD type: TFT, Normally White, Transmissive
- TFT Driver IC: ILI6122 + ILI5960
- View Direction: 12 o'clock
- Gray Scale Inversion Direction: 6 o'clock
- TFT Interface: 24-bit RGB
- Aspect Ratio: 16:9
- Backlight Type: LED ,Normally White
- CTP IC: ILI2511
- CTP Interface: USB (I2C available)
- CTP FW Version: V 6. 0. 0. 0. 5.28.0.1
- With /Without TP: With CTP
- Surface: Glare

*Color tone slight changed by temperature and driving voltage.

4.Interface

4.1. LCM PIN Definition

FPC Connector is used for the module electronics interface.

| Pin | Symbol | Function | Remark |
|-----|--------|-----------------------------------|--------|
| 1 | VLED- | Power for LED backlight (Cathode) | |
| 2 | VLED+ | Power for LED backlight (Anode) | |
| 3 | GND | Power Ground | |
| 4 | VDD | Power voltage | |
| 5 | R0 | Red data (LSB) | |
| 6 | R1 | Red data | |
| 7 | R2 | Red data | |
| 8 | R3 | Red data | |
| 9 | R4 | Red data | |
| 10 | R5 | Red data | |
| 11 | R6 | Red data | |
| 12 | R7 | Red data(MSB) | |
| 13 | G0 | Green data(LSB) | |
| 14 | G1 | Green data | |
| 15 | G2 | Green data | |
| 16 | G3 | Green data | |
| 17 | G4 | Green data | |
| 18 | G5 | Green data | |
| 19 | G6 | Green data | |
| 20 | G7 | Green data(MSB) | |
| 21 | B0 | Blue data(LSB) | |
| 22 | B1 | Blue data | |
| 23 | B2 | Blue data | |
| 24 | B3 | Blue data | |
| 25 | B4 | Blue data | |
| 26 | B5 | Blue data | |
| 27 | B6 | Blue data | |
| 28 | B7 | Blue data(MSB) | |
| 29 | GND | Power Ground | |

| | | | |
|----|-------|--------------------------------------|--------|
| 30 | CLK | Sample clock | |
| 31 | DISP | Display on/off | |
| 32 | NC/HS | No connection /Horizontal sync input | (Note) |
| 33 | NC/VS | No connection /Vertical sync input | (Note) |
| 34 | DE | Data input enable | |
| 35 | NC | No connection | |
| 36 | GND | Power Ground | |
| 37 | NC | No connection | |
| 38 | NC | No connection | |
| 39 | NC | No connection | |
| 40 | NC | No connection | |

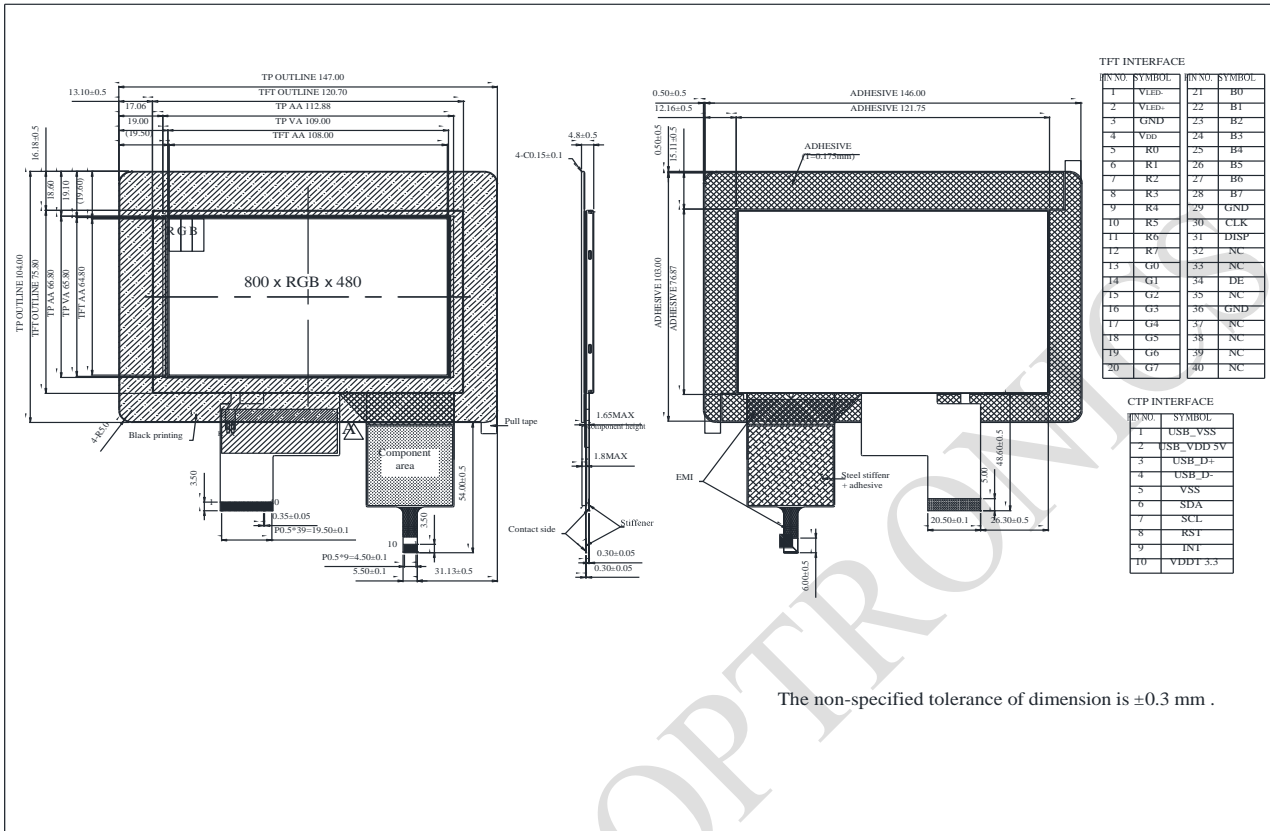
Note : This module default function is for DE mode, if this module want change to use SYNC mode , the FPC have to modify resistive jumper .

4.2. CTP PIN Definition

| Pin | Symbol | Function | Remark |
|-----|------------|--------------------------------|--------|
| 1 | USB_VSS | System ground | |
| 2 | USB_VDD 5V | Power supply | |
| 3 | USB_D+ | Data + | |
| 4 | USB_D- | Data - | |
| 5 | VSS | System ground | |
| 6 | SDA | I2C data input and output | |
| 7 | SCL | I2C clock input | |
| 8 | RST | External Reset, Low is active | |
| 9 | INT | External interrupt to the host | |
| 10 | VDDT 3.3 | Power supply | |

Note: Interface can support both USB and I2C,USB is main function

5. Contour Drawing



6. Absolute Maximum Ratings

| Item | Symbol | Min | Typ | Max | Unit |
|-----------------------|--------|-----|-----|-----|------|
| Operating Temperature | TOP | -20 | — | +70 | °C |
| Storage Temperature | TST | -30 | — | +80 | °C |

Note: Device is subject to be damaged permanently if stresses beyond those absolute maximum ratings listed above

- Temp. $\leq 60^{\circ}\text{C}$, 90% RH MAX. Temp. $> 60^{\circ}\text{C}$, Absolute humidity shall be less than 90% RH at 60°C

RAYSTAR OPTRONICS

7. Electrical Characteristics

7.1. Typical Operation Conditions

| Item | Symbol | Values | | | Unit | Remark |
|--------------------------------|--------|---------|------|---------|------|----------|
| | | Min. | Typ. | Max. | | |
| Power voltage | VDD | 3.0 | 3.3 | 3.6 | V | |
| Current for Driver(Black) | IDD | - | 110 | 170 | mA | VDD=3.3V |
| Input logic high voltage | VIH | 0.7 VDD | - | VDD | V | Note 1 |
| Input logic low voltage | VIL | 0 | - | 0.3 VDD | V | Note 1 |
| Supply Voltage For Touch Logic | VDDT | 4.4 | 5.0 | 5.5 | V | USB type |

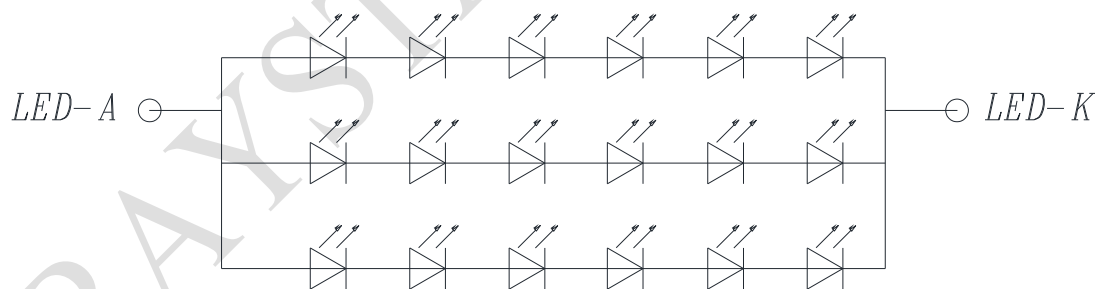
Note1: CLK,DE,R0~R7, G0~G7, B0~B7.

7.2. Backlight Driving Conditions

| Item | Symbol | Values | | | Unit | Remark |
|---------------------------|--------|--------|--------|------|------|--------|
| | | Min. | Typ. | Max. | | |
| Voltage for LED backlight | VL | 18 | 19.2 | 20 | V | Note 1 |
| Current for LED backlight | IL | -- | 60 | -- | mA | |
| LED life time | - | -- | 50,000 | - | Hr | Note 2 |

Note 1: The LED Supply Voltage is defined by the number of LED at $T_a=25^{\circ}\text{C}$ and $I_L=20\text{mA/pcs}$.

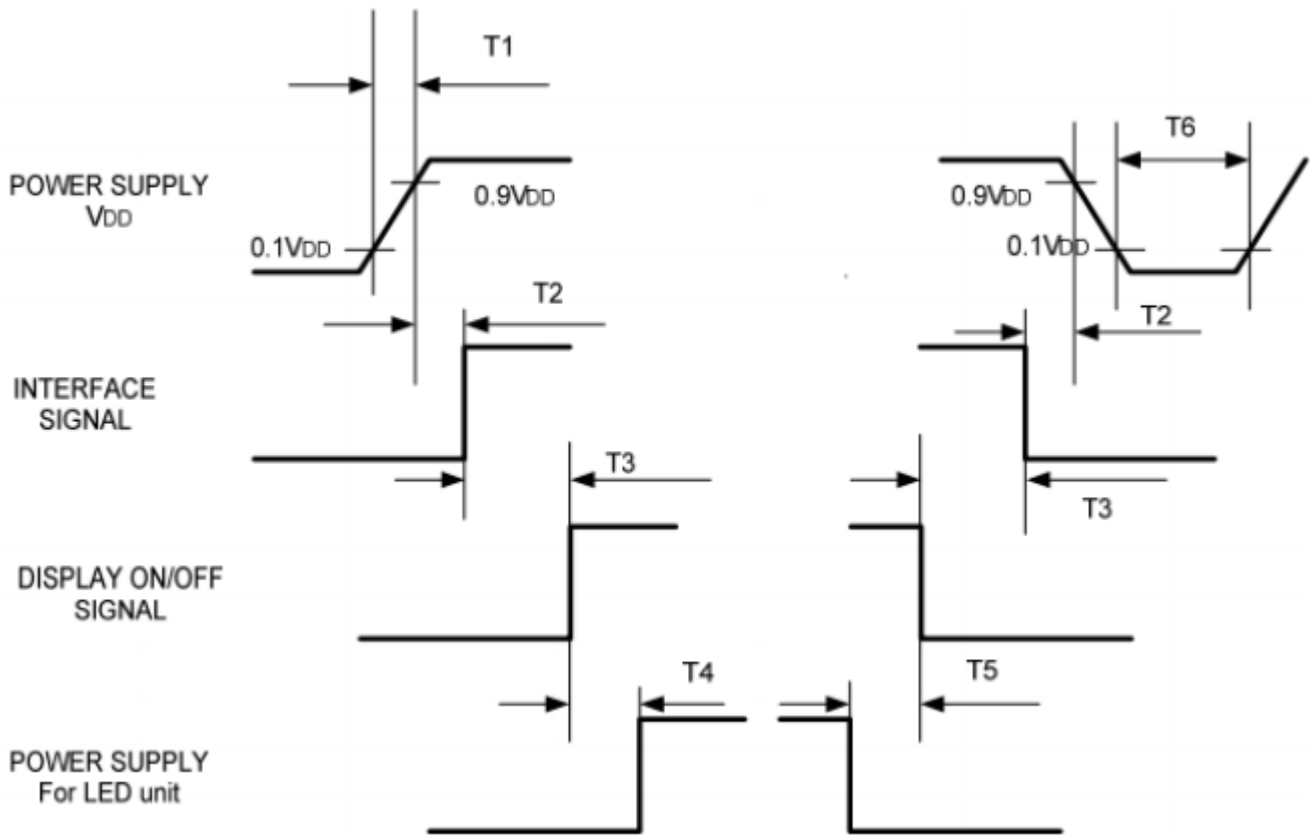
Note 2: The "LED life time" is defined as the module brightness decrease to 50% Original brightness at $T_a=25^{\circ}\text{C}$ and $I_L=20\text{mA/pcs}$. The LED lifetime could be decreased if operating I_L is larger than 25mA/pcs .



CIRCUIT DIAGRAM : 6*3 Dice

7.3. Power Sequence

To prevent a latch-up or DC operation of the LCD module, the power on/off sequence should be as the diagram below.



| Symbol | Specification | Symbol | Specification |
|--------|------------------------------------|--------|----------------------------|
| T1 | $0 \leq T1 \leq 10 \text{ msec}$ | T4 | $200 \text{ msec} \leq T4$ |
| T2 | $16 \leq T2 \leq 100 \text{ msec}$ | T5 | $100 \text{ msec} \leq T5$ |
| T3 | $0 \leq T3 \leq 200 \text{ msec}$ | T6 | $16 \text{ msec} \leq T6$ |

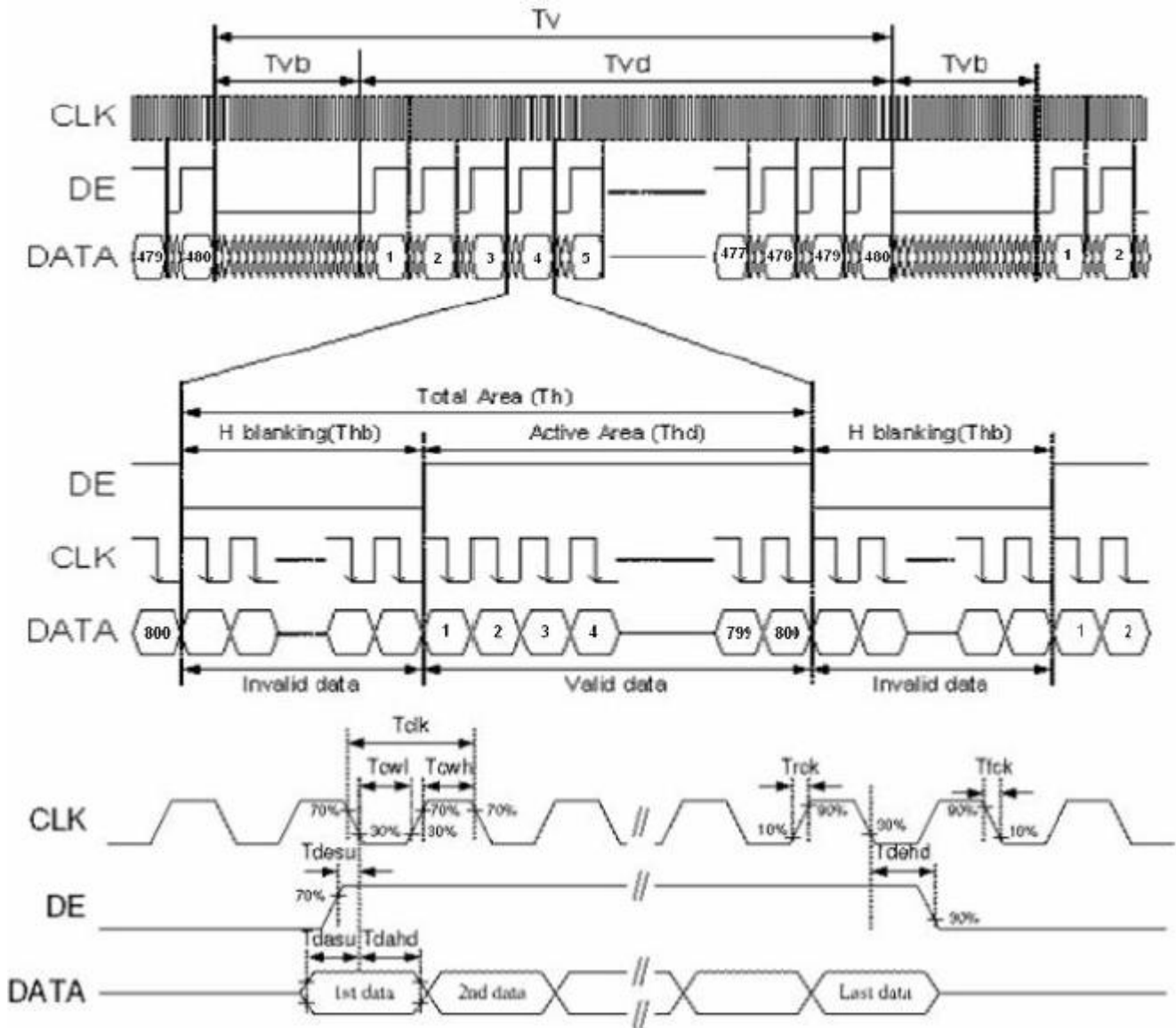
7.4. Timing Characteristics

Timing conditions

Parallel DE mode RGB input timing table

| Parameter | Symbol | Values | | | Unit | Remark |
|---------------------------|--------|--------|------|------|------|--------|
| | | Min. | Typ. | Max. | | |
| CLK frequency | Fclk | 26.4 | 33.3 | 46.8 | MHz | |
| DEV period time | Tv | 510 | 525 | 650 | H | |
| DEV display area | Tvd | 480 | | | H | |
| DEV blanking | Tvd | 30 | 45 | 170 | H | |
| DEH period time | Th | 862 | 1056 | 1200 | CLK | |
| DEH display area | Thd | 800 | | | CLK | |
| DEH blanking | THb | 62 | 256 | 400 | CLK | |
| CLK cycle time | Tclk | 21.3 | 30 | 37.8 | ns | |
| Clock width of high level | Tcwh | 40 | 50 | 60 | % | |
| Clock width of low level | Tcwl | 40 | 50 | 60 | % | |
| Clock rising time | Trck | 8 | - | - | ns | |
| Clock falling time | Tfck | 8 | - | - | ns | |
| Data Setup Time | Tdasu | 8 | - | - | ns | |
| Data Hold Time | Tdahd | 8 | - | - | ns | |
| DE Setup Time | Tdesu | 8 | - | - | ns | |
| DE Hold Time | Tdehd | 8 | - | - | ns | |

7.5. Timing diagram



RAYSTAR

8. Optical Characteristics

| Item | Symbol | Condition. | Min | Typ. | Max. | Unit | Remark | |
|--|--------|-----------------------------------|------------|------|------|-------------------|-------------------|--------|
| Response time | Tr | $\theta=0^\circ$ 、 $\phi=0^\circ$ | - | 10 | 20 | .ms | Note 3 | |
| | Tf | | - | 15 | 30 | .ms | | |
| Contrast ratio | CR | At optimized viewing angle | 400 | 500 | - | - | Note 4 | |
| Color Chromaticity | White | $\theta=0^\circ$ 、 $\phi=0$ | Wx | 0.26 | 0.31 | 0.36 | Note 2,6,7 | |
| | Wy | | 0.28 | 0.33 | 0.38 | | | |
| Viewing angle (Gray Scale Inversion Direction) | Hor. | $CR \geq 10$ | θ_R | 60 | 70 | - | Deg. | Note 1 |
| | | | θ_L | 60 | 70 | - | | |
| | Ver. | | ϕ_T | 40 | 50 | - | | |
| | | | ϕ_B | 60 | 70 | - | | |
| Brightness | - | - | 300 | 400 | - | cd/m ² | Center of display | |
| Uniformity | (U) | - | 75 | - | - | % | Note5 | |

Ta=25±2°C

Note 1: Definition of viewing angle range

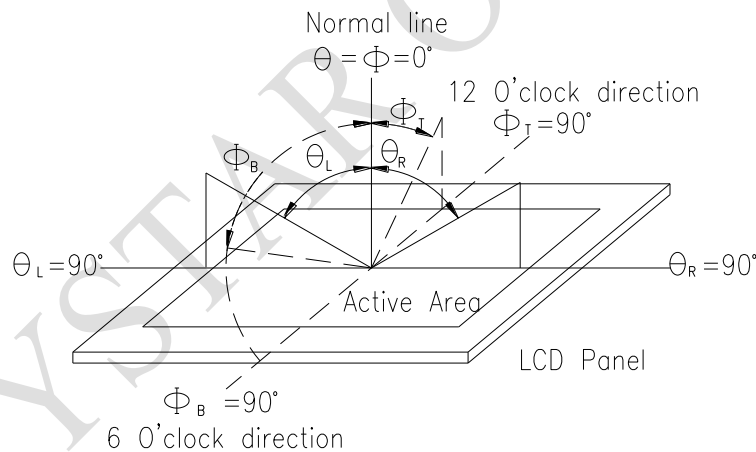


Fig. 8.1. Definition of viewing angle

Note 2: Test equipment setup:

After stabilizing and leaving the panel alone at a driven temperature for 10 minutes, the measurement should be executed. Measurement should be executed in a stable, windless, and dark room. Optical specifications are measured by Topcon BM-7 or BM-5 luminance meter 1.0° field of view at a distance of 50cm and normal direction.

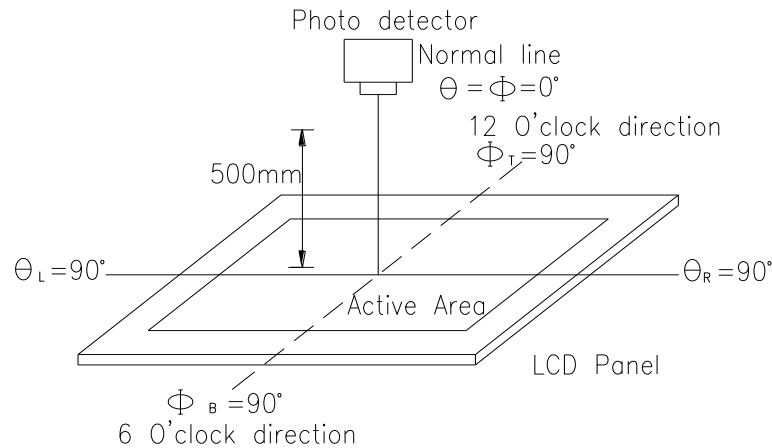
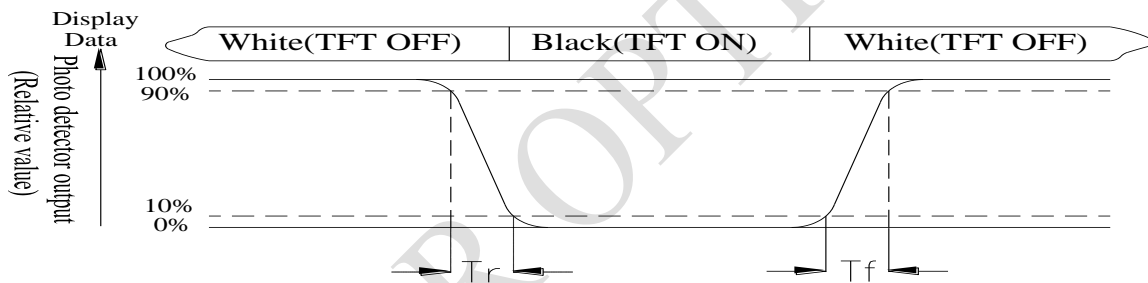


Fig. 8.2. Optical measurement system setup

Note 3: Definition of Response time:

The response time is defined as the LCD optical switching time interval between “White” state and “Black” state. Rise time, T_r , is the time between photo detector output intensity changed from 90% to 10%. And fall time, T_f , is the time between photo detector output intensity changed from 10% to 90%



Note 4: Definition of contrast ratio:

The contrast ratio is defined as the following expression.

$$\text{Contrast ratio (CR)} = \frac{\text{Luminance measured when LCD on the "White" state}}{\text{Luminance measured when LCD on the "Black" state}}$$

Note 5: Definition of Luminance Uniformity

Active area is divided into 9 measuring areas (reference the picture in below). Every measuring point is placed at the center of each measuring area.

$$\text{Luminance Uniformity (U)} = L_{\min}/L_{\max} \times 100\%$$

L = Active area length

W = Active area width

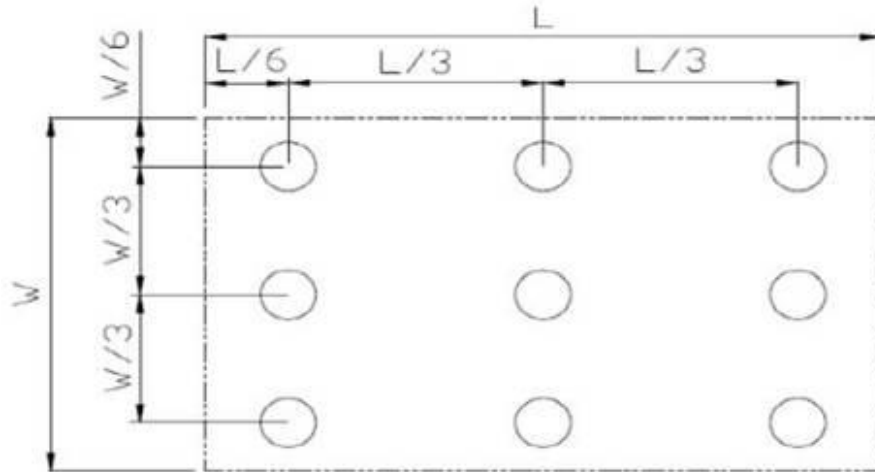


Fig8.3. . Definition of uniformity

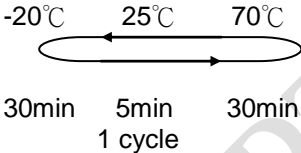
Note 6: Definition of color chromaticity (CIE 1931)

Color coordinates measured at the center point of LCD

Note 7: Measured at the center area of the panel when all the input terminals of LCD panel are electrically opened.

9. Reliability

Content of Reliability Test (Wide temperature, -20°C~70°C)

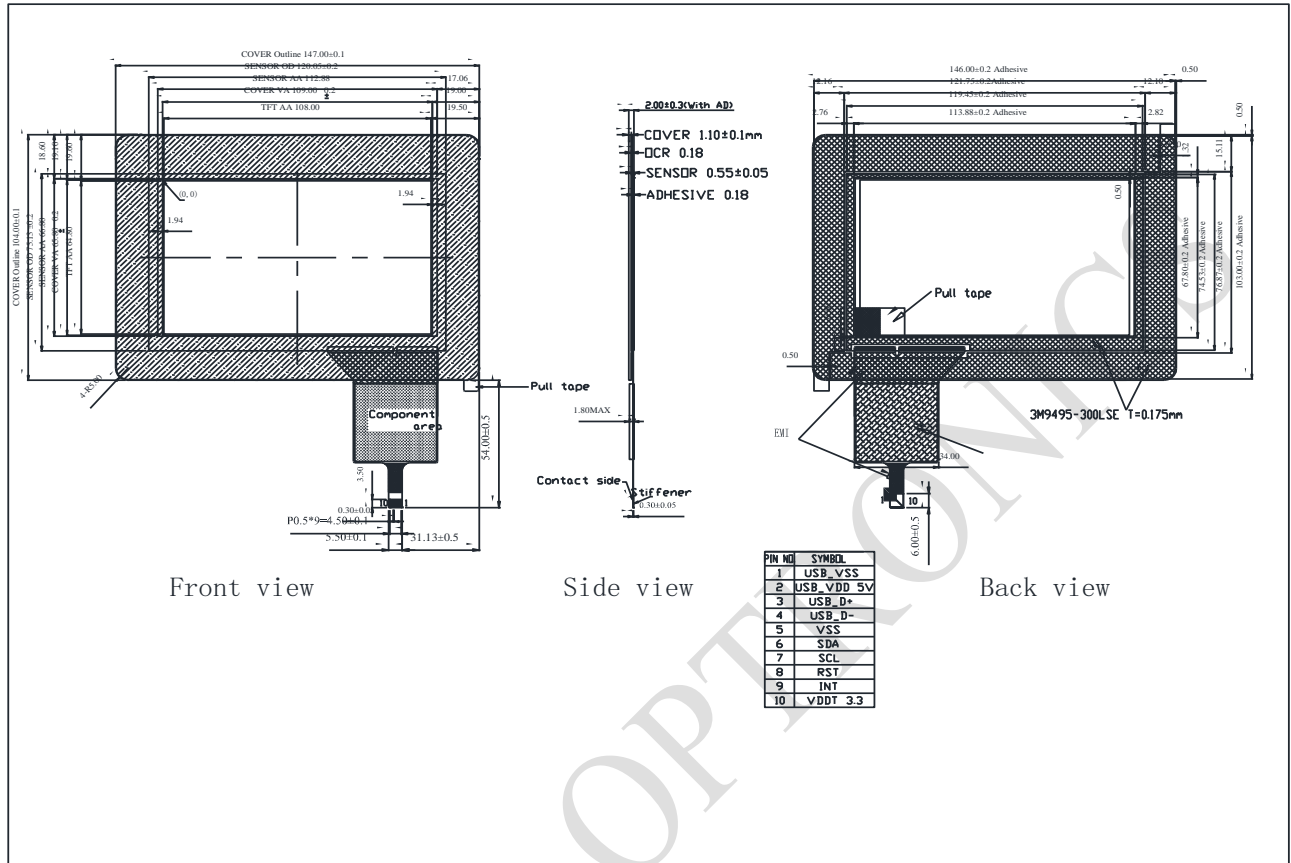
| Environmental Test | | | |
|--------------------------------------|---|--|------|
| Test Item | Content of Test | Test Condition | Note |
| High Temperature storage | Endurance test applying the high storage temperature for a long time. | 80°C 200hrs | 2 |
| Low Temperature storage | Endurance test applying the low storage temperature for a long time. | -30°C 200hrs | 1,2 |
| High Temperature Operation | Endurance test applying the electric stress (Voltage & Current) and the thermal stress to the element for a long time. | 70°C 200hrs | — |
| Low Temperature Operation | Endurance test applying the electric stress under low temperature for a long time. | -20°C 200hrs | 1 |
| High Temperature/ Humidity Operation | The module should be allowed to stand at 60°C,90%RH max | 60°C,90%RH 96hrs | 1,2 |
| Thermal shock resistance | The sample should be allowed stand the following 10 cycles of operation <div style="text-align: center;">  <p>-20°C 25°C 70°C</p> <p>30min 5min 30min</p> <p>1 cycle</p> </div> | -20°C/70°C 10 cycles | — |
| Vibration test | Endurance test applying the vibration during transportation and using. | Total fixed amplitude : 3 1.5mm Vibration Frequency : 10~55Hz One cycle 60 seconds to 3 directions of X,Y,Z for Each 15 minutes | 3 |
| Static electricity test | Endurance test applying the electric stress to the terminal. | VS=±600V(contact) ,±800v(air), RS=330Ω CS=150pF 10 times | — |

Note1: No dew condensation to be observed.

Note2: The function test shall be conducted after 4 hours storage at the normal Temperature and humidity after remove from the test chamber.

Note3: The packing have to including into the vibration testing.

10.Touch Panel Information



LCM Sample Estimate Feedback Sheet

Module Number : _____

1 、 Panel Specification :

| | | |
|----------------------------|-------------------------------|-------------------------------------|
| 1. Panel Type : | <input type="checkbox"/> Pass | <input type="checkbox"/> NG , _____ |
| 2. View Direction : | <input type="checkbox"/> Pass | <input type="checkbox"/> NG , _____ |
| 3. Numbers of Dots : | <input type="checkbox"/> Pass | <input type="checkbox"/> NG , _____ |
| 4. View Area : | <input type="checkbox"/> Pass | <input type="checkbox"/> NG , _____ |
| 5. Active Area : | <input type="checkbox"/> Pass | <input type="checkbox"/> NG , _____ |
| 6. Operating Temperature : | <input type="checkbox"/> Pass | <input type="checkbox"/> NG , _____ |
| 7. Storage Temperature : | <input type="checkbox"/> Pass | <input type="checkbox"/> NG , _____ |
| 8. Others : | _____ | |

2 、 Mechanical Specification :

| | | |
|-----------------------------|-------------------------------|-------------------------------------|
| 1. PCB Size : | <input type="checkbox"/> Pass | <input type="checkbox"/> NG , _____ |
| 2. Frame Size : | <input type="checkbox"/> Pass | <input type="checkbox"/> NG , _____ |
| 3. Material of Frame : | <input type="checkbox"/> Pass | <input type="checkbox"/> NG , _____ |
| 4. Connector Position : | <input type="checkbox"/> Pass | <input type="checkbox"/> NG , _____ |
| 5. Fix Hole Position : | <input type="checkbox"/> Pass | <input type="checkbox"/> NG , _____ |
| 6. Backlight Position : | <input type="checkbox"/> Pass | <input type="checkbox"/> NG , _____ |
| 7. Thickness of PCB : | <input type="checkbox"/> Pass | <input type="checkbox"/> NG , _____ |
| 8. Height of Frame to PCB : | <input type="checkbox"/> Pass | <input type="checkbox"/> NG , _____ |
| 9. Height of Module : | <input type="checkbox"/> Pass | <input type="checkbox"/> NG , _____ |
| 10. Others : | <input type="checkbox"/> Pass | <input type="checkbox"/> NG , _____ |

3 、 Relative Hole Size :

| | | |
|-----------------------------|-------------------------------|-------------------------------------|
| 1. Pitch of Connector : | <input type="checkbox"/> Pass | <input type="checkbox"/> NG , _____ |
| 2. Hole size of Connector : | <input type="checkbox"/> Pass | <input type="checkbox"/> NG , _____ |
| 3. Mounting Hole size : | <input type="checkbox"/> Pass | <input type="checkbox"/> NG , _____ |
| 4. Mounting Hole Type : | <input type="checkbox"/> Pass | <input type="checkbox"/> NG , _____ |
| 5. Others : | <input type="checkbox"/> Pass | <input type="checkbox"/> NG , _____ |

4 、 Backlight Specification :

| | | |
|---|-------------------------------|-------------------------------------|
| 1. B/L Type : | <input type="checkbox"/> Pass | <input type="checkbox"/> NG , _____ |
| 2. B/L Color : | <input type="checkbox"/> Pass | <input type="checkbox"/> NG , _____ |
| 3. B/L Driving Voltage (Reference for LED Type) : | <input type="checkbox"/> Pass | <input type="checkbox"/> NG , _____ |
| 4. B/L Driving Current : | <input type="checkbox"/> Pass | <input type="checkbox"/> NG , _____ |
| 5. Brightness of B/L : | <input type="checkbox"/> Pass | <input type="checkbox"/> NG , _____ |
| 6. B/L Solder Method : | <input type="checkbox"/> Pass | <input type="checkbox"/> NG , _____ |
| 7. Others : | <input type="checkbox"/> Pass | <input type="checkbox"/> NG , _____ |

>> **Go to page 2** <<

| | | |
|--|-------------------------------|-------------------------------------|
| Module Number : _____ | | |
| 5 · <u>Electronic Characteristics of Module</u> : | | |
| 1.Input Voltage : | <input type="checkbox"/> Pass | <input type="checkbox"/> NG , _____ |
| 2.Supply Current : | <input type="checkbox"/> Pass | <input type="checkbox"/> NG , _____ |
| 3.Driving Voltage for LCD : | <input type="checkbox"/> Pass | <input type="checkbox"/> NG , _____ |
| 4.Contrast for LCD : | <input type="checkbox"/> Pass | <input type="checkbox"/> NG , _____ |
| 5.B/L Driving Method : | <input type="checkbox"/> Pass | <input type="checkbox"/> NG , _____ |
| 6.Negative Voltage Output : | <input type="checkbox"/> Pass | <input type="checkbox"/> NG , _____ |
| 7.Interface Function : | <input type="checkbox"/> Pass | <input type="checkbox"/> NG , _____ |
| 8.LCD Uniformity : | <input type="checkbox"/> Pass | <input type="checkbox"/> NG , _____ |
| 9.ESD test : | <input type="checkbox"/> Pass | <input type="checkbox"/> NG , _____ |
| 10.Others : | <input type="checkbox"/> Pass | <input type="checkbox"/> NG , _____ |
| 6 · <u>Summary</u> : | | |
| <p style="text-align: right; margin-right: 50px;">Sales signature : _____</p> <p style="text-align: right; margin-right: 100px;">Customer Signature : _____ <u>Date</u> : / / _____</p> | | |

X-ON Electronics

Largest Supplier of Electrical and Electronic Components

Click to view similar products for [TFT Displays & Accessories](#) category:

Click to view products by [Raystar](#) manufacturer:

Other Similar products are found below :

[OAI-80038AA-2013-A](#) [HDA430T-3G1H](#) [NB-ATT01](#) [TCG104SVLQAPNN-AN20](#) [OAI-80038AA-2008-A](#) [315-U004B15300](#) [EIC-LCD-1080P](#) [NL10276BC20-18C](#) [DEM 128160D](#) [TMH-PW-N](#) [RFE43BU-AIW-DNG](#) [EA WF050-40S](#) [EA WF050-40ST](#) [RFC350X-AWW-DNG](#) [RFS390E-AWW-DNN](#) [DEM 480272G2](#) [VMX-PW-N \(A-TOUCH\)](#) [PH800480T013-ICA](#) [DEM 1024600N](#) [VMX-PW-N \(C-TOUCH\)](#) [DEM 1024600P](#) [VMH-PW-N \(C-TOUCH\)](#) [SM-RVT50HQHNWCA0](#) [DEM 240280A](#) [VMH-PW-N](#) [DEM 170320A](#) [VMH-PW-N](#) [PH240320T068-LAB08](#) [DEM 800480T1](#) [TMH-PW-N](#) [PH128128T041-LAA07](#) [PH480272T005-IAC02](#) [DEM 1024600P](#) [VMH-PW-N \(A-TOUCH\)](#) [DEM 800480T1](#) [TMH-PW-N \(C-TOUCH\)](#) [DEM 800480Q4](#) [VMX-PW-N](#) [DEM 800480T1](#) [TMH-PW-N \(A-TOUCH\)](#) [PH320240T-023-I02Q](#) [PH128800T004-ZZA01](#) [RFE430W-1YW-DBS](#) [DEM 1024600N](#) [VMX-PW-N \(A-TOUCH\)](#) [PH240320T074-ZAA01](#) [DEM 480480D](#) [VMX-PW-N \(C-TOUCH\)](#) [SM-RVT50HQSNWN00](#) [SM-RVT50HQHNWC00](#) [PH800480T033-ICB01](#) [RFE430W-AWW-DNN](#) [DEM 096096A](#) [VMH-PW-N](#) [RL0F00050000FGAAASA01](#) [SM-RVT50HQSNWCA0](#) [SM-RVT50HQSNWC00-B](#) [PH320240T028-ZEA01](#) [RFE430W-1YW-DBN](#) [SM-RVT50HQHNWC00-B](#) [DEM 120240A](#) [VMH-PW-N](#) [DEM 268800A](#) [VMH-PW-N](#) [RFF700B4-AIW-DNS](#) [DEM 800480O1](#) [VMH-PW-N](#)