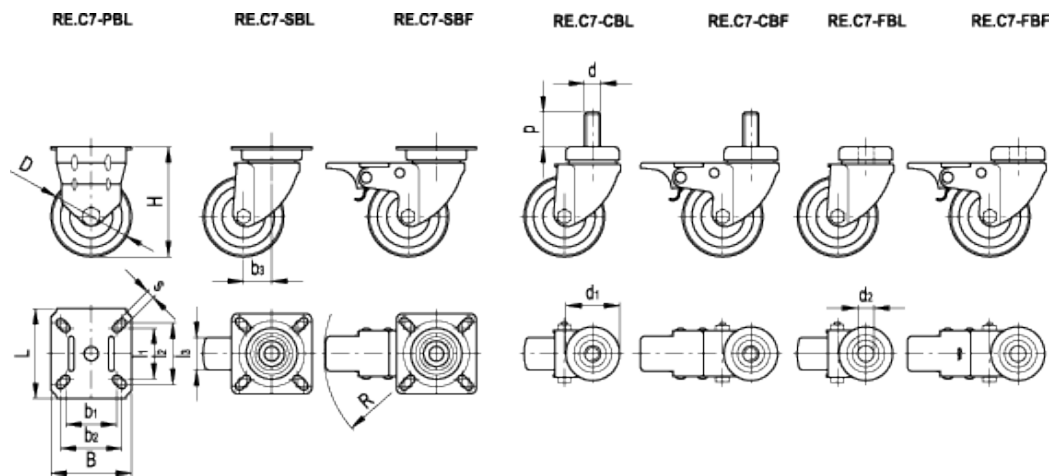


RE.C7

Vulcanised rubber wheels for the general public



technical informations

Covering

Grey anti-trace vulcanised rubber.

Centre

Polyamide-based technopolymer (PA). Resistant to solvents, oils and other chemicals.

Bore

Directly made into the centre.

Axle set

Calibrated zinc-plated steel precision tube. The tube serves as a spacer, is tightened to the bracket with screw and nut to a un predetermined torque value.
The wheel bore rotates onto the tube freely.

Standard executions

- PBL: brakeless wheel with zinc-plated steel fixed bracket.
- SBL: brakeless wheel with zinc-plated steel turning plate and bracket.
- SBF: wheel with brake and zinc-plated steel turning plate with bracket.
- CBL: brakeless wheel with zinc-plated steel turning plate and bracket with assembly stem.
- CBF: wheel with brake with zinc-plated steel turning plate and bracket with assembly stem.
- FBL: brakeless wheel with zinc-plated steel turning plate with bracket and assembly pass through hole.
- FBF: wheel with brake and zinc-plated steel turning plate and bracket, assembly pass through hole.

Fixed plate bracket

Electrolytically zinc-plated steel plate bracket.

Turning plate bracket

The presence of two ball turns and the direct contact between the plate and the ball race ring with built-in pin ensure excellent manoeuvrability and very limited clearance.

Front-actuated brake

Brake that locks the wheel rotation. The optimised dimensions and the retractable pedal ensure minimal space occupied and maximum actuation ease.

Applications

Wheels for the general public, excellent smoothness and elasticity features.

Environmental conditions

The wheel RE.C7 is suitable for use in humid environments and in the presence of medium-aggressive chemical environments; use in environments with the presence of organic, chlorinated solvents, hydrocarbons and mineral oils is not recommended.



Standard Elements		Main dimensions															Dynamic carrying capacity	Weight	
Code	Description	D	l ₃	H	B	L	s	b ₁	l ₁	b ₂	l ₂	b ₃	R	d	p	d ₁	d ₂	[N]	g
452101	RE.C7-050-PBL	50	20	67	55	55	6	38.5	38.5	44	44	-	-	-	-	-	-	350	200
452106	RE.C7-060-PBL	60	24	83	60	60	6	38	38	48	48	-	-	-	-	-	-	500	260
452111	RE.C7-080-PBL	80	24	104	60	60	6	38	38	48	48	-	-	-	-	-	-	550	340
452001	RE.C7-050-SBL	50	20	67	55	55	6	38.5	38.5	44	44	24	-	-	-	-	-	350	200
452006	RE.C7-060-SBL	60	24	83	60	60	6	38	38	48	48	21	-	-	-	-	-	500	280
452011	RE.C7-080-SBL	80	24	104	60	60	6	38	38	48	48	30	-	-	-	-	-	550	430
452051	RE.C7-050-SBF	50	20	67	55	55	6	38.5	38.5	44	44	24	76	-	-	-	-	350	240
452056	RE.C7-060-SBF	60	24	83	60	60	6	38	38	48	48	21	84	-	-	-	-	500	400
452061	RE.C7-080-SBF	80	24	104	60	60	6	38	38	48	48	30	91	-	-	-	-	550	500
452151	RE.C7-050-CBL	50	20	66	-	-	-	-	-	-	-	24	-	M8	15	35	-	350	180
452156	RE.C7-060-CBL	60	24	83	-	-	-	-	-	-	-	21	-	M12	25	41	-	500	290
452161	RE.C7-080-CBL	80	24	104	-	-	-	-	-	-	-	25	-	M12	25	41	-	550	390
452201	RE.C7-050-CBF	50	20	66	-	-	-	-	-	-	-	24	76	M8	15	35	-	350	210
452206	RE.C7-060-CBF	60	24	83	-	-	-	-	-	-	-	21	84	M12	25	41	-	500	360
452211	RE.C7-080-CBF	80	24	104	-	-	-	-	-	-	-	25	91	M12	25	41	-	550	460
452251	RE.C7-050-FBL	50	20	66	-	-	-	-	-	-	-	24	-	-	-	35	10	350	160
452256	RE.C7-060-FBL	60	24	83	-	-	-	-	-	-	-	21	-	-	-	41	12	500	250
452261	RE.C7-080-FBL	80	24	104	-	-	-	-	-	-	-	25	-	-	-	41	12	550	340
452301	RE.C7-050-FBF	50	20	66	-	-	-	-	-	-	-	24	76	-	-	35	10	350	190
452306	RE.C7-060-FBF	60	24	83	-	-	-	-	-	-	-	21	84	-	-	41	12	500	320
452311	RE.C7-080-FBF	80	24	104	-	-	-	-	-	-	-	25	91	-	-	41	12	550	430



ELESA and GANTER models all rights reserved in accordance with the law. Always mention the source when reproducing our drawings.

STANDARD MACHINE ELEMENTS WORLDWIDE

X-ON Electronics

Largest Supplier of Electrical and Electronic Components

Click to view similar products for [Processor Accessories](#) category:

Click to view products by [Elesa & Ganter](#) manufacturer:

Other Similar products are found below :

[20-101-0495](#) [AC102012-1](#) [20-101-0502](#) [2447](#) [28106](#) [CWH-CTP-CTX10-YE](#) [451651](#) [JL82599EN S R1ZS](#) [SPB204-AL-1](#) [90001265-88](#)
[CG1657 DAISY CHAIN](#) [28962](#) [32316](#) [BK0016](#) [699001](#) [AC244005-2](#) [CWH-CTP-COP-YE](#) [CWH-CTP-STC-YE](#) [910-28015B](#) [ATABOT](#)
[20-101-0431](#) [721-80001](#) [721-00019](#) [721-00018](#) [700-00056](#) [FXX-3006-JES](#) [AC244005](#) [28114](#) [868](#) [ARX-DSP](#) [B000003](#) [X000048](#) [CG1152](#)
[DAISY CHAIN](#) [INTRFCEV](#) [ARX-BOOK](#) [T050000](#) [130-32000](#) [82634DSARPLTVAK](#) [ROBOT-2WD-KIT](#) [UDOO-SK-USA](#) [UDOO-SK-EU](#)
[28965](#) [122-32305](#) [28961](#) [28960](#) [Basic US PI3 Kit](#) [82634DSARPLTVIK](#) [1557](#) [28109](#) [143](#)