



# REALTEK

**RTL8367S-CG**

**LAYER 2 MANAGED 5+2-PORT  
10/100/1000M SWITCH CONTROLLER**

**DATASHEET**

**(CONFIDENTIAL: Development Partners Only)**

**Rev. Pre-0.941**

**23 Feb 2016**

**Track ID: xxxx-xxxx-xx**



**Realtek Semiconductor Corp.**

No. 2, Innovation Road II, Hsinchu Science Park, Hsinchu 300, Taiwan

Tel.: +886-3-578-0211 Fax: +886-3-577-6047

[www.realtek.com](http://www.realtek.com)

## COPYRIGHT

©2015 Realtek Semiconductor Corp. All rights reserved. No part of this document may be reproduced, transmitted, transcribed, stored in a retrieval system, or translated into any language in any form or by any means without the written permission of Realtek Semiconductor Corp.

## DISCLAIMER

Realtek provides this document ‘as is’, without warranty of any kind. Realtek may make improvements and/or changes in this document or in the product described in this document at any time. This document could include technical inaccuracies or typographical errors.

## TRADEMARKS

Realtek is a trademark of Realtek Semiconductor Corporation. Other names mentioned in this document are trademarks/registered trademarks of their respective owners.

## USING THIS DOCUMENT

This document is intended for the hardware and software engineer’s general information on the Realtek RTL8367S IC.

Though every effort has been made to ensure that this document is current and accurate, more information may have become available subsequent to the production of this guide.

## REVISION HISTORY

| Revision | Release Date | Summary  |
|----------|--------------|--|
| Pre-0.9  | 2015/08/06   | Preliminary release.   |
| Pre-0.91 | 2015/08/18   | <ol style="list-style-type: none"> <li>1. Revised Section 6. Pin Assignments</li> <li>2. Revised Section 6.2. Pin Assignments Table</li> <li>3. Revised Section 7.3. General Purpose Interfaces</li> <li>4. Revised Section 7.5. Configuration Strapping Pins</li> <li>5. Revised Section 7.6. Management</li> <li>6. Revised Section 7.7. Miscellaneous Pins</li> </ol>   |
| Pre-0.92 | 2015/11/18   | <ol style="list-style-type: none"> <li>1. Revised Section 6. Pin Assignments</li> <li>2. Revised Section 6.2. Pin Assignments Table</li> <li>3. Revised Section 7.3. General Purpose Interfaces</li> <li>4. Revised Section 7.5. Configuration Strapping Pins</li> <li>5. Revised Section 7.6. Management Interface Pins</li> <li>6. Revised Section 7.7. Miscellaneous Pins</li> <li>7. Revised Section 9.19. LED Indicators</li> <li>8. Revised Section 12.2. Recommended Operating Range</li> <li>9. Add Section 12.5.7. HSGMII Characteristics</li> <li>10. Add Section 12.5.8. SGMII Characteristics</li> </ol> |

| Revision  | Release Date | Summary   |
|-----------|--------------|---|
| Pre-0.93  | 2015/12/30   | <ol style="list-style-type: none"> <li>1. Revised Section 12.2. Recommended Operating Range</li> <li>2. Revised Section 12.3.1. Assembly Description</li> <li>3. Revised Section 12.3.2. Material Properties</li> <li>4. Revised Section 12.3.3. Simulation Conditions</li> <li>5. Revised Section 12.3.4. Thermal Performance of LQFP-128 on PCB Under Still Air Convection</li> <li>6. Delete Section 12.3.5. Thermal Performance of LQFP-128 on PCB Under Forced Convection</li> </ol> |
| Pre-0.94  | 2016/01/11   | <ol style="list-style-type: none"> <li>1. Revised Section 12.5.2. EEPROM SMI Slave Mode Timing Characteristics</li> </ol>   |
| Pre-0.941 | 2016/02/23   | <ol style="list-style-type: none"> <li>1. Revised Table 10</li> <li>2. Revised Table 12</li> <li>3. Revised package type as LQFP-128 or LQFP 128-pin</li> <li>4. Revised Section 7.4. LED Pins</li> <li>5. Revised Section 12.3.1. Assembly Description</li> </ol>  |

Realtek  
 CONFIDENTIAL  
 for Grandstream

## Table of Contents

|   |           |
|---|-----------|
| <b>1. GENERAL DESCRIPTION .....</b>   | <b>1</b>  |
| <b>2. FEATURES .....</b>  | <b>3</b>  |
| <b>3. SYSTEM APPLICATIONS .....</b>   | <b>5</b>  |
| <b>4. APPLICATION EXAMPLES .....</b>  | <b>5</b>  |
| 4.1. 5-PORT 1000BASE-T SWITCH .....   | 5         |
| 4.2. 5-PORT 1000BASE-T ROUTER WITH SGMII/HSGMII AND/OR MII/RGMII .....        | 6         |
| <b>5. BLOCK DIAGRAM .....</b>   | <b>7</b>  |
| <b>6. PIN ASSIGNMENTS .....</b>   | <b>8</b>  |
| 6.1. PACKAGE IDENTIFICATION .....   | 8         |
| 6.2. PIN ASSIGNMENTS TABLE .....  | 9         |
| <b>7. PIN DESCRIPTIONS.....</b>   | <b>12</b> |
| 7.1. MEDIA DEPENDENT INTERFACE PINS .....                                     | 12        |
| 7.2. HIGH SPEED SERIAL INTERFACE PINS .....                                   | 13        |
| 7.3. GENERAL PURPOSE INTERFACES .....   | 13        |
| 7.3.1. RGMII Pins.....  | 15        |
| 7.3.2. MII Pins.....  | 16        |
| 7.4. LED PINS.....  | 18        |
| 7.5. CONFIGURATION STRAPPING PINS .....                                       | 19        |
| 7.5.1. Configuration Strapping Pins (DISAUTOLOAD, DIS_8051, and EN_SPIF)..... | 20        |
| 7.6. MANAGEMENT INTERFACE PINS .....  | 21        |
| 7.7. MISCELLANEOUS PINS .....   | 21        |
| 7.8. TEST PINS .....  | 23        |
| 7.9. POWER AND GND PINS .....   | 23        |
| <b>8. PHYSICAL LAYER FUNCTIONAL OVERVIEW.....</b>                             | <b>24</b> |
| 8.1. MDI INTERFACE .....  | 24        |
| 8.2. 1000BASE-T TRANSMIT FUNCTION .....                                       | 24        |
| 8.3. 1000BASE-T RECEIVE FUNCTION .....  | 24        |
| 8.4. 100BASE-TX TRANSMIT FUNCTION.....  | 24        |
| 8.5. 100BASE-TX RECEIVE FUNCTION .....  | 25        |
| 8.6. 10BASE-T TRANSMIT FUNCTION .....   | 25        |
| 8.7. 10BASE-T RECEIVE FUNCTION .....  | 25        |
| 8.8. AUTO-NEGOTIATION FOR UTP .....   | 25        |
| 8.9. CROSSOVER DETECTION AND AUTO CORRECTION .....                            | 26        |
| 8.10. POLARITY CORRECTION .....   | 26        |
| <b>9. GENERAL FUNCTION DESCRIPTION.....</b>                                   | <b>27</b> |
| 9.1. RESET .....  | 27        |
| 9.1.1. Hardware Reset.....  | 27        |
| 9.1.2. Software Reset.....  | 27        |
| 9.2. IEEE 802.3X FULL DUPLEX FLOW CONTROL .....                               | 27        |
| 9.3. HALF DUPLEX FLOW CONTROL .....   | 28        |
| 9.3.1. Back-Pressure Mode .....   | 28        |
| 9.4. SEARCH AND LEARNING .....  | 29        |
| 9.5. SVL AND IVL/SVL .....  | 29        |
| 9.6. ILLEGAL FRAME FILTERING .....  | 29        |
| 9.7. IEEE 802.3 RESERVED GROUP ADDRESSES FILTERING CONTROL.....               | 30        |

|            |  |           |
|------------|--|-----------|
| 9.8.       | BROADCAST/MULTICAST/UNKNOWN DA STORM CONTROL .....                 | 31        |
| 9.9.       | PORT SECURITY FUNCTION .....                                       | 31        |
| 9.10.      | MIB COUNTERS .....   | 31        |
| 9.11.      | PORT MIRRORING .....   | 31        |
| 9.12.      | VLAN FUNCTION .....  | 32        |
| 9.12.1.    | Port-Based VLAN .....  | 32        |
| 9.12.2.    | IEEE 802.1Q Tag-Based VLAN .....                                   | 32        |
| 9.12.3.    | Protocol-Based VLAN .....  | 33        |
| 9.12.4.    | Port VID .....   | 33        |
| 9.13.      | QOS FUNCTION .....   | 34        |
| 9.13.1.    | Input Bandwidth Control .....                                      | 34        |
| 9.13.2.    | Priority Assignment .....  | 34        |
| 9.13.3.    | Priority Queue Scheduling .....                                    | 34        |
| 9.13.4.    | IEEE 802.1p/Q and DSCP Remarking .....                             | 35        |
| 9.13.5.    | ACL-Based Priority .....   | 35        |
| 9.14.      | IGMP & MLD SNOOPING FUNCTION .....                                 | 36        |
| 9.15.      | IEEE 802.1x FUNCTION .....   | 37        |
| 9.15.1.    | Port-Based Access Control .....                                    | 37        |
| 9.15.2.    | Authorized Port-Based Access Control .....                         | 37        |
| 9.15.3.    | Port-Based Access Control Direction .....                          | 37        |
| 9.15.4.    | MAC-Based Access Control .....                                     | 37        |
| 9.15.5.    | MAC-Based Access Control Direction .....                           | 38        |
| 9.15.6.    | Optional Unauthorized Behavior .....                               | 38        |
| 9.15.7.    | Guest VLAN .....   | 38        |
| 9.16.      | IEEE 802.1D FUNCTION .....   | 38        |
| 9.17.      | EMBEDDED 8051 .....  | 38        |
| 9.18.      | REALTEK CABLE TEST (RTCT) .....                                    | 39        |
| 9.19.      | LED INDICATORS .....   | 39        |
| 9.20.      | GREEN ETHERNET .....   | 41        |
| 9.20.1.    | Link-On and Cable Length Power Saving .....                        | 41        |
| 9.20.2.    | Link-Down Power Saving .....                                       | 41        |
| 9.21.      | IEEE 802.3AZ ENERGY EFFICIENT ETHERNET (EEE) FUNCTION .....        | 41        |
| 9.22.      | INTERRUPT PIN FOR EXTERNAL CPU .....                               | 41        |
| <b>10.</b> | <b>INTERFACE DESCRIPTIONS .....</b>                                | <b>42</b> |
| 10.1.      | EEPROM SMI HOST TO EEPROM .....                                    | 42        |
| 10.2.      | EEPROM SMI SLAVE FOR EXTERNAL CPU .....                            | 43        |
| 10.3.      | GENERAL PURPOSE INTERFACE .....                                    | 44        |
| 10.3.1.    | Extension Ports RGMII Mode Interface (1Gbps) .....                 | 45        |
| 10.3.2.    | Extension Ports MII MAC/PHY Mode Interface (10/100Mbps) .....      | 45        |
| <b>11.</b> | <b>REGISTER DESCRIPTIONS .....</b>                                 | <b>48</b> |
| 11.1.      | PCS REGISTER (PHY 0~4) .....                                       | 48        |
| 11.2.      | REGISTER 0: CONTROL .....  | 49        |
| 11.3.      | REGISTER 1: STATUS .....   | 50        |
| 11.4.      | REGISTER 2: PHY IDENTIFIER 1 .....                                 | 51        |
| 11.5.      | REGISTER 3: PHY IDENTIFIER 2 .....                                 | 51        |
| 11.6.      | REGISTER 4: AUTO-NEGOTIATION ADVERTISEMENT .....                   | 51        |
| 11.7.      | REGISTER 5: AUTO-NEGOTIATION LINK PARTNER ABILITY .....            | 52        |
| 11.8.      | REGISTER 6: AUTO-NEGOTIATION EXPANSION .....                       | 53        |
| 11.9.      | REGISTER 7: AUTO-NEGOTIATION PAGE TRANSMIT REGISTER .....          | 53        |
| 11.10.     | REGISTER 8: AUTO-NEGOTIATION LINK PARTNER NEXT PAGE REGISTER ..... | 54        |
| 11.11.     | REGISTER 9: 1000BASE-T CONTROL REGISTER .....                      | 54        |
| 11.12.     | REGISTER 10: 1000BASE-T STATUS REGISTER .....                      | 55        |
| 11.13.     | REGISTER 15: EXTENDED STATUS .....                                 | 55        |

---

|            |   |           |
|------------|---|-----------|
| <b>12.</b> | <b>ELECTRICAL CHARACTERISTICS.....</b>  | <b>56</b> |
| 12.1.      | ABSOLUTE MAXIMUM RATINGS .....  | 56        |
| 12.2.      | RECOMMENDED OPERATING RANGE.....  | 56        |
| 12.3.      | THERMAL CHARACTERISTICS.....  | 57        |
| 12.3.1.    | <i>Assembly Description .....</i>   | <i>57</i> |
| 12.3.2.    | <i>Material Properties .....</i>  | <i>57</i> |
| 12.3.3.    | <i>Simulation Conditions .....</i>  | <i>57</i> |
| 12.3.4.    | <i>Thermal Performance of LQFP-128 on PCB Under Still Air Convection.....</i> | <i>58</i> |
| 12.4.      | DC CHARACTERISTICS.....   | 59        |
| 12.5.      | AC CHARACTERISTICS.....   | 60        |
| 12.5.1.    | <i>EEPROM SMI Host Mode Timing Characteristics .....</i>                      | <i>60</i> |
| 12.5.2.    | <i>EEPROM SMI Slave Mode Timing Characteristics .....</i>                     | <i>61</i> |
| 12.5.3.    | <i>MDIO Slave Mode Timing Characteristics .....</i>                           | <i>62</i> |
| 12.5.4.    | <i>MII MAC Mode Timing .....</i>  | <i>63</i> |
| 12.5.5.    | <i>MII PHY Mode Timing .....</i>  | <i>64</i> |
| 12.5.6.    | <i>RGMII Timing Characteristics .....</i>                                     | <i>65</i> |
| 12.5.7.    | <i>HSGMII Characteristics.....</i>  | <i>67</i> |
| 12.5.8.    | <i>SGMII Characteristics.....</i>   | <i>69</i> |
| 12.6.      | POWER AND RESET CHARACTERISTICS.....  | 71        |
| <b>13.</b> | <b>MECHANICAL DIMENSIONS.....</b>   | <b>72</b> |
| <b>14.</b> | <b>ORDERING INFORMATION.....</b>  | <b>73</b> |

---

REALTEK  
 CONFIDENTIAL  
 for Grandstream

## List of Tables

|   |    |
|---|----|
| TABLE 1. PIN ASSIGNMENTS TABLE .....  | 9  |
| TABLE 2. MEDIA DEPENDENT INTERFACE PINS .....                                     | 12 |
| TABLE 3. GENERAL PURPOSE INTERFACES PINS .....                                    | 13 |
| TABLE 4. EXTENSION GMAC2 RGMII PINS .....   | 15 |
| TABLE 5. EXTENSION GMAC2 MII PINS (MII MAC MODE OR MII PHY MODE) .....            | 16 |
| TABLE 6. LED PINS .....   | 18 |
| TABLE 7. CONFIGURATION STRAPPING PINS .....                                       | 19 |
| TABLE 8. CONFIGURATION STRAPPING PINS (DISAUTOLOAD, DIS_8051, AND EN_SPIF) .....  | 20 |
| TABLE 9. MANAGEMENT INTERFACE PINS .....  | 21 |
| TABLE 10. MISCELLANEOUS PINS .....  | 21 |
| TABLE 11. TEST PINS .....   | 23 |
| TABLE 12. POWER AND GND PINS .....  | 23 |
| TABLE 13. MEDIA DEPENDENT INTERFACE PIN MAPPING .....                             | 26 |
| TABLE 14. RESERVED MULTICAST ADDRESS CONFIGURATION TABLE .....                    | 30 |
| TABLE 15. IPV4/IPV6 MULTICAST ROUTING PROTOCOLS .....                             | 36 |
| TABLE 16. LED DEFINITIONS .....   | 39 |
| TABLE 17. RTL8367S EXTENSION PORT 2 PIN DEFINITIONS .....                         | 44 |
| TABLE 18. EXTENSION GMAC2 RGMII PINS .....  | 45 |
| TABLE 19. EXTENSION GMAC2 MII PINS .....  | 45 |
| TABLE 20. PCS REGISTER (PHY 0~4) .....  | 48 |
| TABLE 21. REGISTER 0: CONTROL .....   | 49 |
| TABLE 22. REGISTER 1: STATUS .....  | 50 |
| TABLE 23. REGISTER 2: PHY IDENTIFIER 1 .....                                      | 51 |
| TABLE 24. REGISTER 3: PHY IDENTIFIER 2 .....                                      | 51 |
| TABLE 25. REGISTER 4: AUTO-NEGOTIATION ADVERTISEMENT .....                        | 51 |
| TABLE 26. REGISTER 5: AUTO-NEGOTIATION LINK PARTNER ABILITY .....                 | 52 |
| TABLE 27. REGISTER 6: AUTO-NEGOTIATION EXPANSION .....                            | 53 |
| TABLE 28. REGISTER 7: AUTO-NEGOTIATION PAGE TRANSMIT REGISTER .....               | 53 |
| TABLE 29. REGISTER 8: AUTO-NEGOTIATION LINK PARTNER NEXT PAGE REGISTER .....      | 54 |
| TABLE 30. REGISTER 9: 1000BASE-T CONTROL REGISTER .....                           | 54 |
| TABLE 31. REGISTER 10: 1000BASE-T STATUS REGISTER .....                           | 55 |
| TABLE 32. REGISTER 15: EXTENDED STATUS .....                                      | 55 |
| TABLE 33. ABSOLUTE MAXIMUM RATINGS .....  | 56 |
| TABLE 34. RECOMMENDED OPERATING RANGE .....                                       | 56 |
| TABLE 35. ASSEMBLY DESCRIPTION .....  | 57 |
| TABLE 36. MATERIAL PROPERTIES .....   | 57 |
| TABLE 37. SIMULATION CONDITIONS .....   | 57 |
| TABLE 38. THERMAL PERFORMANCE OF LQFP-128 ON PCB UNDER STILL AIR CONVECTION ..... | 58 |
| TABLE 39. DC CHARACTERISTICS .....  | 59 |
| TABLE 40. EEPROM SMI HOST MODE TIMING CHARACTERISTICS .....                       | 61 |
| TABLE 41. EEPROM SMI SLAVE MODE TIMING CHARACTERISTICS .....                      | 61 |
| TABLE 42. MDIO TIMING CHARACTERISTICS AND REQUIREMENT .....                       | 62 |
| TABLE 43. MII MAC MODE TIMING .....   | 63 |
| TABLE 44. MII PHY MODE TIMING CHARACTERISTICS .....                               | 64 |
| TABLE 45. RGMII TIMING CHARACTERISTICS .....                                      | 66 |
| TABLE 46. HSGMII DIFFERENTIAL TRANSMITTER CHARACTERISTICS .....                   | 67 |
| TABLE 47. HSGMII DIFFERENTIAL RECEIVER CHARACTERISTICS .....                      | 68 |
| TABLE 48. SGMII DIFFERENTIAL TRANSMITTER CHARACTERISTICS .....                    | 69 |
| TABLE 49. SGMII DIFFERENTIAL RECEIVER CHARACTERISTICS .....                       | 70 |
| TABLE 50. POWER AND RESET CHARACTERISTICS .....                                   | 71 |
| TABLE 51. ORDERING INFORMATION .....  | 73 |

Realtek  
CONFIDENTIAL  
for Grandstream



## List of Figures

|   |    |
|---|----|
| FIGURE 1. 5-PORT 1000BASE-T SWITCH .....                                    | 5  |
| FIGURE 2. 5-PORT 1000BASE-T ROUTER WITH SGMII/HSGMII AND/OR MII/RGMII ..... | 6  |
| FIGURE 3. BLOCK DIAGRAM.....  | 7  |
| FIGURE 4. PIN ASSIGNMENTS (LQFP-128).....                                   | 8  |
| FIGURE 5. CONCEPTUAL EXAMPLE OF POLARITY CORRECTION .....                   | 26 |
| FIGURE 6. PROTOCOL-BASED VLAN FRAME FORMAT AND FLOW CHART.....              | 33 |
| FIGURE 7. RTL8367S MAX-MIN SCHEDULING DIAGRAM.....                          | 35 |
| FIGURE 8. PULL-UP AND PULL-DOWN OF LED PINS FOR SINGLE-COLOR LED.....       | 40 |
| FIGURE 9. PULL-UP AND PULL-DOWN OF LED PINS FOR BI-COLOR LED.....           | 40 |
| FIGURE 10. SMI START AND STOP COMMAND.....                                  | 42 |
| FIGURE 11. EEPROM SMI HOST TO EEPROM.....                                   | 42 |
| FIGURE 12. EEPROM SMI HOST MODE FRAME.....                                  | 42 |
| FIGURE 13. EEPROM SMI WRITE COMMAND FOR SLAVE MODE .....                    | 43 |
| FIGURE 14. EEPROM SMI READ COMMAND FOR SLAVE MODE.....                      | 43 |
| FIGURE 15. RGMII MODE INTERFACE SIGNAL DIAGRAM.....                         | 45 |
| FIGURE 16. SIGNAL DIAGRAM OF MII PHY MODE INTERFACE (100Mbps).....          | 46 |
| FIGURE 17. SIGNAL DIAGRAM OF MII MAC MODE INTERFACE (100Mbps).....          | 47 |
| FIGURE 18. EEPROM SMI HOST MODE TIMING CHARACTERISTICS.....                 | 60 |
| FIGURE 19. SCK/SDA POWER ON TIMING .....                                    | 60 |
| FIGURE 20. EEPROM AUTO-LOAD TIMING.....                                     | 60 |
| FIGURE 21. EEPROM SMI SLAVE MODE TIMING CHARACTERISTICS .....               | 61 |
| FIGURE 22. MDIO SOURCED BY MASTER.....                                      | 62 |
| FIGURE 23. MDIO SOURCED BY RTL8367S (SLAVE).....                            | 62 |
| FIGURE 24. MII MAC MODE CLOCK TO DATA OUTPUT DELAY TIMING .....             | 63 |
| FIGURE 25. MII MAC MODE INPUT TIMING .....                                  | 63 |
| FIGURE 26. MII PHY MODE OUTPUT TIMING.....                                  | 64 |
| FIGURE 27. MII PHY MODE CLOCK OUTPUT TO DATA INPUT DELAY TIMING .....       | 64 |
| FIGURE 28. RGMII OUTPUT TIMING CHARACTERISTICS (RGX_TXCLK_DELAY=0) .....    | 65 |
| FIGURE 29. RGMII OUTPUT TIMING CHARACTERISTICS (RGX_TXCLK_DELAY=2NS) .....  | 65 |
| FIGURE 30. RGMII INPUT TIMING CHARACTERISTICS (RGX_RXCLK_DELAY=0).....      | 65 |
| FIGURE 31. RGMII INPUT TIMING CHARACTERISTICS (RGX_RXCLK_DELAY=2NS).....    | 66 |
| FIGURE 32. HSGMII DIFFERENTIAL TRANSMITTER EYE DIAGRAM.....                 | 67 |
| FIGURE 33. HSGMII DIFFERENTIAL RECEIVER EYE DIAGRAM .....                   | 68 |
| FIGURE 34. SGMII DIFFERENTIAL TRANSMITTER EYE DIAGRAM.....                  | 69 |
| FIGURE 35. SGMII DIFFERENTIAL RECEIVER EYE DIAGRAM .....                    | 70 |
| FIGURE 36. POWER AND RESET CHARACTERISTICS.....                             | 71 |

## 1. General Description

The RTL8367S-CG is a LQFP-128, high-performance 5+2-port 10/100/1000M Ethernet switch featuring a low-power integrated 5-Port Giga-PHY that supports 1000Base-T, 100Base-TX, and 10Base-T.

For specific applications, the RTL8367S supports one extra interface that could be configured as RGMII/MII interfaces. The RTL8367S also supports one Ser-Des interface that could be configured as SGMII/HSGMII interfaces. The RTL8367S integrates all the functions of a high-speed switch system; including SRAM for packet buffering, non-blocking switch fabric, and internal register management into a single CMOS device. Only a 25MHz crystal is required; an optional EEPROM is offered for internal register configuration.

The embedded packet storage SRAM in the RTL8367S features superior memory management technology to efficiently utilize memory space. The RTL8367S integrates a 2K-entry look-up table with a 4-way XOR Hashing algorithm for address searching and learning. The table provides read/write access from the EEPROM Serial Management Interface (SMI), Media Independent Interface Management (MIIM), or SPI Interface. Each of the table entries can be configured as a static entry. The entry aging time is between 200 and 400 seconds. Eight Filtering Databases are used to provide Independent VLAN Learning and Shared VLAN Learning (IVL/SVL) functions.

The Extension GMAC1 of the RTL8367S implements a SGMII/HSMII interfaces and Extension GMAC2 of the RTL8367S implements a RGMII/MII interfaces. These interfaces could be connected to an external PHY, MAC, CPU, or RISC for specific applications. In router applications, the RTL8367S supports Port VID (PVID) for each port to insert a PVID in the VLAN tag on egress. When using this function, VID information carried in the VLAN tag will be changed to PVID.

*Note: The RTL8367S Extra Interface (Extension GMAC2) supports:*

*Media Independent Interface (MII)*

*Reduced Gigabit Media Independent Interface (RGMII)*

The RTL8367S supports standard 802.3x flow control frames for full duplex, and optional backpressure for half duplex. It determines when to invoke the flow control mechanism by checking the availability of system resources, including the packet buffers and transmitting queues. The RTL8367S supports broadcast/multicast output dropping, and will forward broadcast/multicast packets to non-blocked ports only. For IP multicast applications, the RTL8367S supports IPv4 IGMPv1/v2/v3 and IPv6 MLDv1/v2 snooping.

In order to support flexible traffic classification, the RTL8367S supports 96-entry ACL rule check and multiple actions options. Each port can optionally enable or disable the ACL rule check function. The ACL rule key can be based on packet physical port, Layer2, Layer3, and Layer4 information. When an ACL rule matches, the action taken is configurable to Drop/Permit/Redirect/Mirror, change priority value in 802.1q/Q tag, force output tag format and rate policing. The rate policing mechanism supports from 8Kbps to 1Gbps (in 8Kbps steps).

In Bridge operation the RTL8367S supports 16 sets of port configurations: disable, block, learning, and forwarding for Spanning Tree Protocol and Multiple Spanning Tree Protocol. To meet security and management application requirements, the RTL8367S supports IEEE 802.1x Port-based/MAC-based Access Control. For those ports that do not pass IEEE 802.1x authentication, the RTL8367S provides a Port-based/MAC-based Guest VLAN function for them to access limited network resources. A 1-set Port

Mirroring function is configured to mirror traffic (RX, TX, or both) appearing on one of the switch's ports. Support is provided on each port for multiple RFC MIB Counters, for easy debug and diagnostics.

To improve real-time or multimedia networking applications, the RTL8367S supports eight priority assignments for each received packet. These are based on (1) Port-based priority; (2) 802.1p/Q VLAN tag priority; (3) DSCP field in IPv4/IPv6 header; and (4) ACL-assigned priority. Each output port supports a weighted ratio of eight priority queues to fit bandwidth requirements in different applications. The input bandwidth control function helps limit per-port traffic utilization. There is one leaky bucket for average packet rate control for each queue of all ports. Queue scheduling algorithm can use Strict Priority (SP) or Weighted Fair Queue (WFQ) or mixed.

The RTL8367S provides a 4K-entry VLAN table for 802.1Q port-based, tag-based, and protocol-based VLAN operation to separate logical connectivity from physical connectivity. The RTL8367S supports four Protocol-based VLAN configurations that can optionally select EtherType, LLC, and RFC1042 as the search key. Each port may be set to any topology via EEPROM upon reset, or EEPROM SMI Slave after reset.

In router applications, the router may want to know the input port of the incoming packet. The RTL8367S supports an option to insert a VLAN tag with VID=Port VID (PVID) on each egress port. The RTL8367S also provides an option to admit VLAN tagged packet with a specific PVID only. If this function is enabled, the RTL8367S will drop all non-tagged packets and packets with an incorrect PVID.

Realtek  
CONFIDENTIAL  
for Grandstream

## 2. Features

- Single-chip 5+2-port 10/100/1000M non-blocking switch architecture
- Embedded 5-Port 10/100/1000Base-T PHY
- Each port supports full duplex 10/100/1000M connectivity (half duplex only supported in 10/100M mode)
- Extra Interface (Extension GMAC1) Supports High Speed Serial Interface (Extension GMAC1)
  - ◆ SGMII (1.25GHz) Interface
  - ◆ High SGMII (3.125GHz) Interface
- Extra Interface (Extension GMAC2) supports
  - ◆ Media Independent Interface (MII)
  - ◆ Reduced 10/100/1000M Media Independent Interface (RGMII)
- Full-duplex and half-duplex operation with IEEE 802.3x flow control and backpressure
- Supports 9216-byte jumbo packet length forwarding at wire speed
- Realtek Cable Test (RTCT) function
- Supports 96-entry ACL Rules
  - ◆ Search keys support physical port, Layer2, Layer3, and Layer4 information
  - ◆ Actions include mirror, redirect, dropping, priority adjustment, traffic policing, CVLAN decision, and SVLAN assignment GPIO control, force output tag format, interrupt and logging counter
  - ◆ Supports five types of user defined ACL rule format for 96 ACL rules
  - ◆ Optional per-port enable/disable of ACL function
- ◆ Optional setting of per-port action to take when ACL mismatch
- Supports IEEE 802.1Q VLAN
  - ◆ Supports 4K VLANs and 32 Extra Enhanced VLANs
  - ◆ Supports Un-tag definition in each VLAN
  - ◆ Supports VLAN policing and VLAN forwarding decision
  - ◆ Port-based, Tag-based, and Protocol-based VLAN
  - ◆ Up to 4 Protocol-based VLAN entries
  - ◆ Per-port and per-VLAN egress VLAN tagging and un-tagging
- Supports IVL, SVL, and IVL/SVL
  - ◆ 2K-entry MAC address table with 4-way hash algorithm
  - ◆ Up to 2K-entry L2/L3 Filtering Database
  - ◆ Per-port MAC learning limitation
  - ◆ System base MAC learning limitation
- Supports Spanning Tree Port Behavior configuration
  - ◆ IEEE 802.1w Rapid Spanning Tree
  - ◆ IEEE 802.1s Multiple Spanning Tree with up to 16 Spanning Tree instances
- Supports IEEE 802.1x Access Control Protocol
  - ◆ Port-Based Access Control
  - ◆ MAC-Based Access Control
  - ◆ Guest VLAN
- Supports Auto protection from Denial-of-Service attacks
- Supports H/W IGMP/MLD Snooping

- ◆ IGMPv1/v2/v3 and MLD v1/v2
- ◆ Supports Fast Leave
- ◆ Static router port configuration
- ◆ Dynamic router port learning and aging
- Supports Quality of Service (QoS)
  - ◆ Supports per port Input Bandwidth Control
  - ◆ Traffic classification based on IEEE 802.1p/Q priority definition, physical Port, IP DSCP field, ACL definition, VLAN based priority, MAC based priority and SVLAN based priority
  - ◆ Eight Priority Queues per port
  - ◆ Per queue flow control
  - ◆ Min-Max Scheduling
  - ◆ Strict Priority and Weighted Fair Queue (WFQ) to provide minimum bandwidth
  - ◆ One leaky bucket to constrain the average packet rate of each queue
- Supports rate limiting (32 shared meters, with 8kbps granulation or packets per second configuration)
- Supports RFC MIB Counter
  - ◆ MIB-II (RFC 1213)
  - ◆ Ethernet-Like MIB (RFC 3635)
  - ◆ Interface Group MIB (RFC 2863)
  - ◆ RMON (RFC 2819)
  - ◆ Bridge MIB (RFC 1493)
  - ◆ Bridge MIB Extension (RFC 2674)
- Supports Stacking VLAN and Port Isolation with eight Enhanced Filtering Databases
- Supports IEEE 802.1ad Stacking VLAN
  - ◆ Supports 64 SVLANs
  - ◆ Supports 32 L2/IPv4 Multicast mappings to SVLAN
- ◆ Supports MAC-based 1:N VLAN
- Supports two IEEE 802.3ad Link aggregation port groups
- Supports Port Mirror function for one monitor port for multiple mirroring ports
- Supports OAM and EEE LLDP (Energy Efficient Ethernet Link Layer Discovery Protocol)
- Supports Loop Detection
- Security Filtering
  - ◆ Disable learning for each port
  - ◆ Disable learning-table aging for each port
  - ◆ Drop unknown DA for each port
- Broadcast/Multicast/Unknown DA storm control protects system from attack by hackers
- Supports IEEE 802.3az Energy Efficient Ethernet (EEE)
- Supports Realtek Green Ethernet features
  - ◆ Link-On Cable Length Power Saving
  - ◆ Link-Down Power Saving
- Supports one interrupt output to external CPU for notification
- Each port supports 3 LED outputs
- Management Interface Supports
  - ◆ EEPROM SMI Slave interface
  - ◆ Media Independent Interface Management (MIIM)
  - ◆ SPI Slave Interface
- Supports 32K-byte EEPROM space for configuration
- Integrated 8051 microprocessor.
- 25MHz crystal or 3.3V OSC input

- LQFP 128-pin package

### 3. System Applications

- 5-Port 1000Base-T Switch
- 5-Port 1000Base-T Router with SGMII/HSGMII and/or MII/RGMII

### 4. Application Examples

#### 4.1. 5-Port 1000Base-T Switch

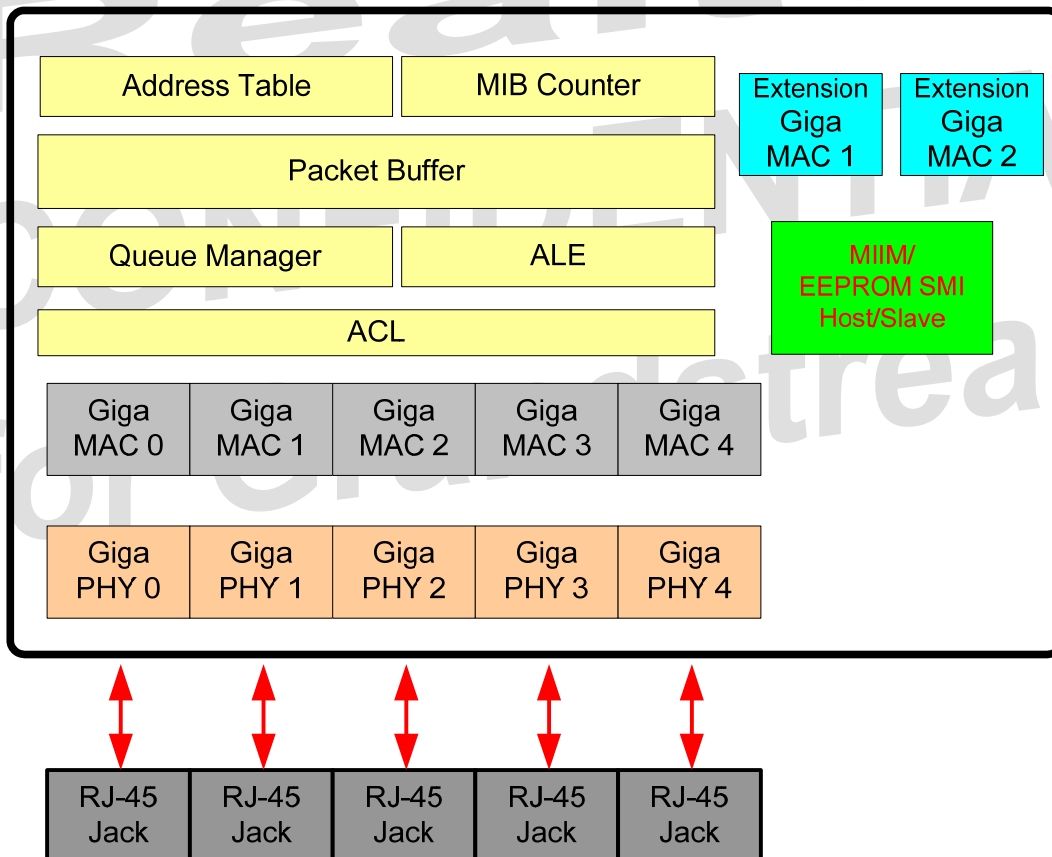
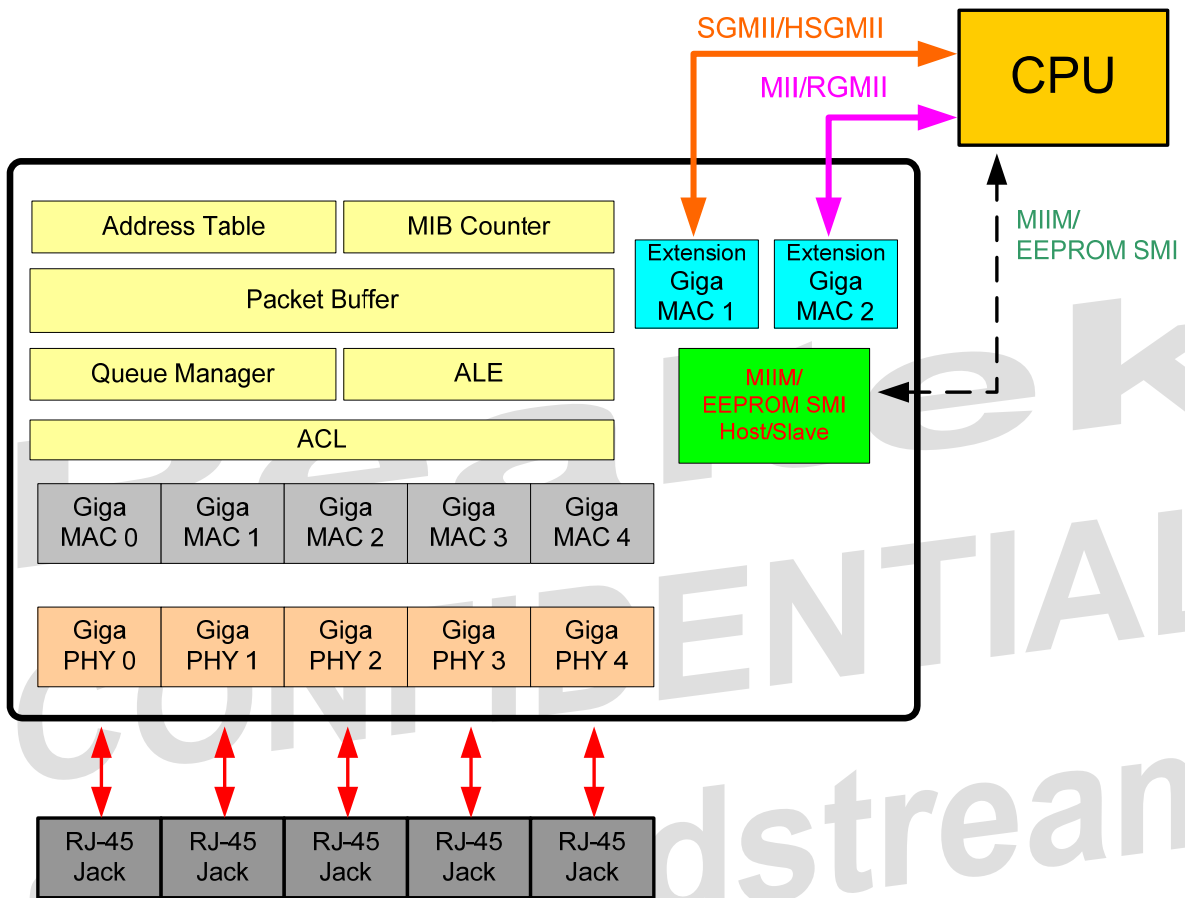


Figure 1. 5-Port 1000Base-T Switch

## 4.2. 5-Port 1000Base-T Router with SGMII/HSGMII and/or MII/RGMII



**Figure 2. 5-Port 1000Base-T Router with SGMII/HSGMII and/or MII/RGMII**

*Note: Extra Interface (Extension GMAC1) in SGMII/HSGMII Mode and/or (Extension GMAC2) in MII/RGMII Mode.*



## 5. Block Diagram

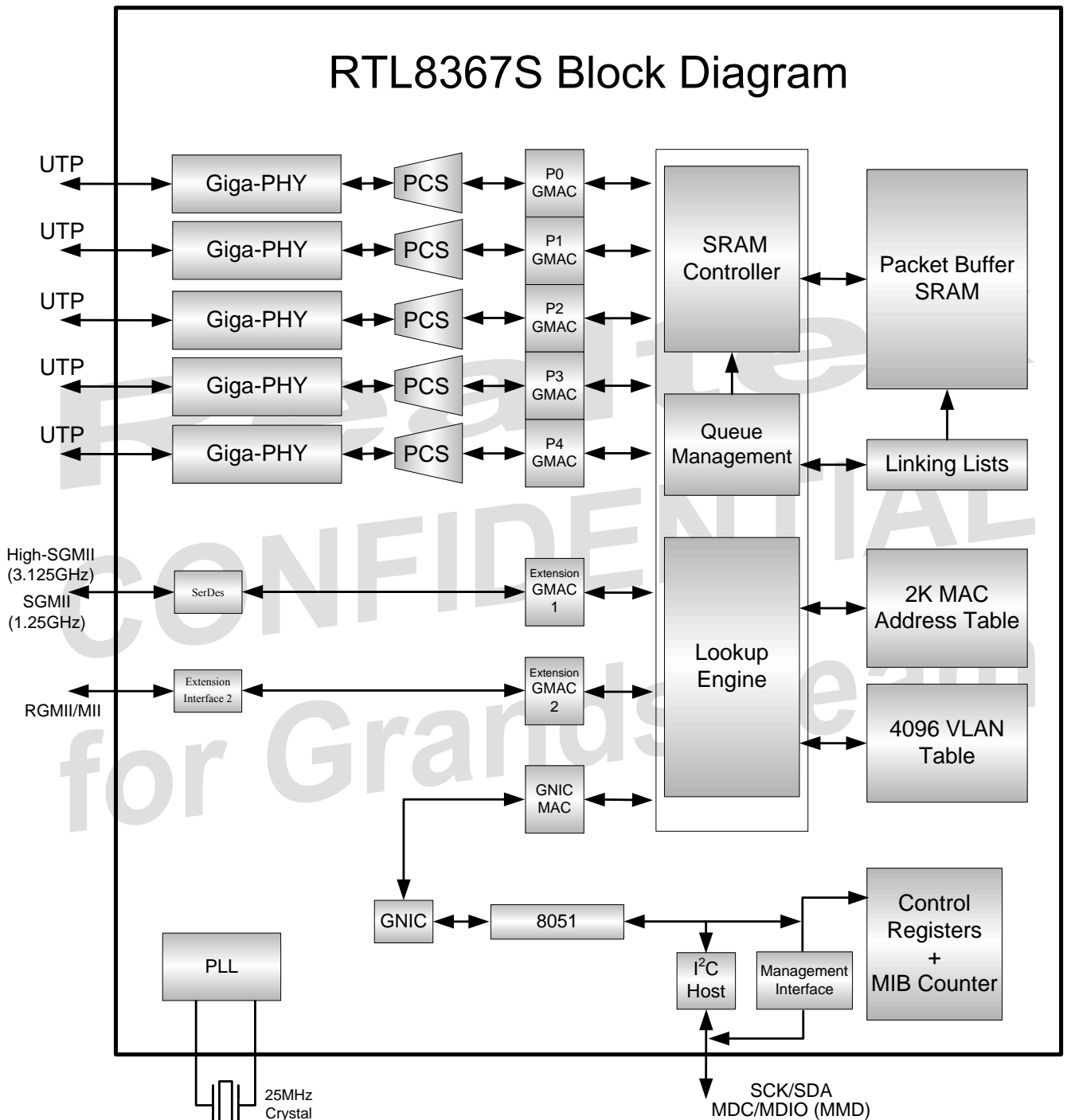


Figure 3. Block Diagram



## 6. Pin Assignments

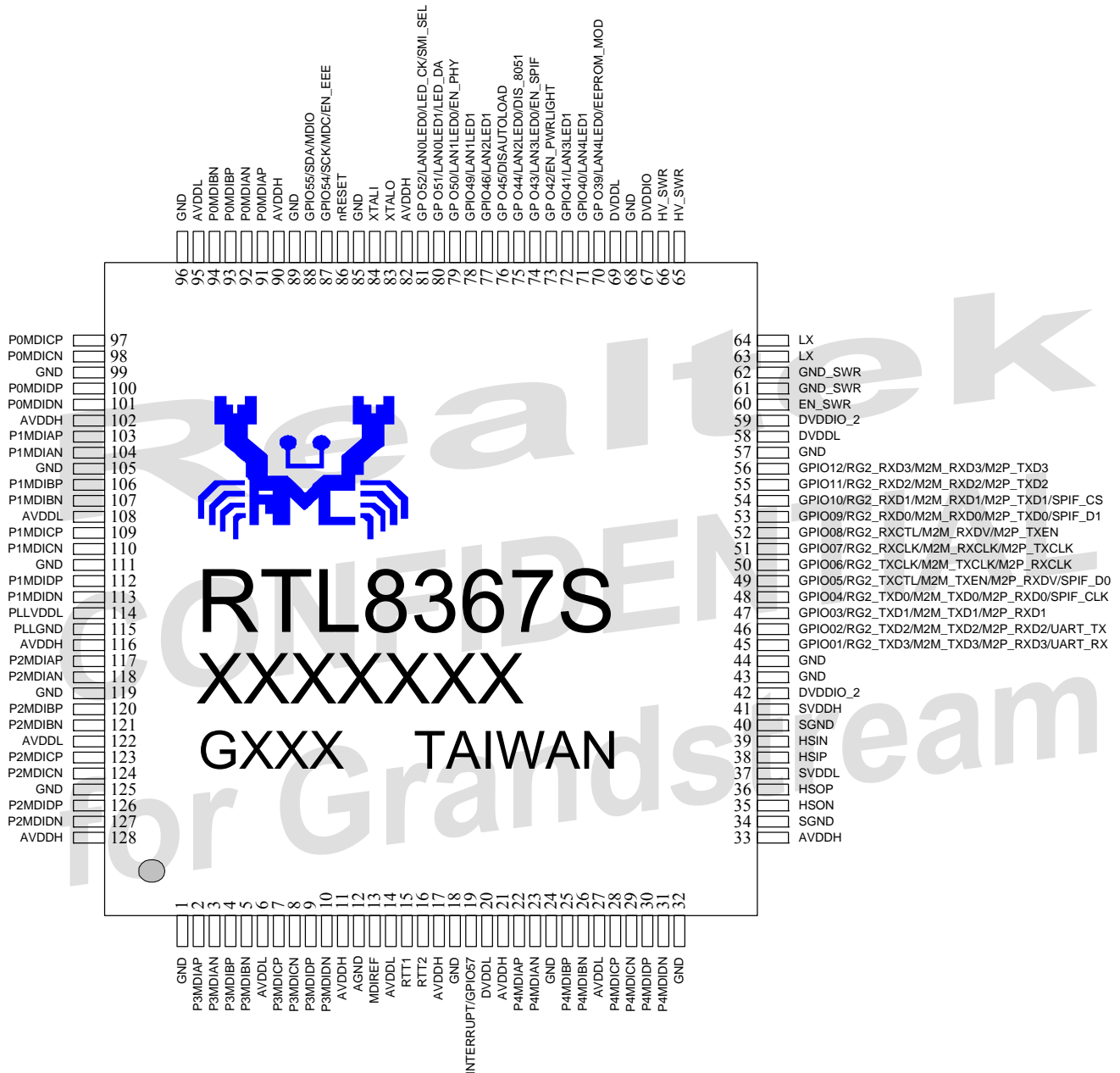


Figure 4. Pin Assignments (LQFP-128)

### 6.1. Package Identification

Green package is indicated by the 'G' in GXXX (Figure 4).

## 6.2. Pin Assignments Table

Upon Reset: Defined as a short time after the end of a hardware reset.

After Reset: Defined as the time after the specified 'Upon Reset' time.

|   |  |
|---|--|
| I: Input Pin  | AI: Analog Input Pin   |
| O: Output Pin   | AO: Analog Output Pin  |
| I/O: Bi-Directional Input/Output Pin  | AI/O: Analog Bi-Directional Input/Output Pin                                       |
| P: Digital Power Pin  | AP: Analog Power Pin   |
| G: Digital Ground Pin   | AG: Analog Ground Pin  |
| I <sub>PU</sub> : Input Pin With Pull-Up Resistor;<br>(Typical Value = 75K Ohm)   | O <sub>PU</sub> : Output Pin With Pull-Up Resistor;<br>(Typical Value = 75K Ohm)   |
| I <sub>PD</sub> : Input Pin With Pull-Down Resistor;<br>(Typical Value = 75K Ohm) | O <sub>PD</sub> : Output Pin With Pull-Down Resistor;<br>(Typical Value = 75K Ohm) |
| I <sub>S</sub> : Input Pin With Schmitt Trigger                                   |  |

**Table 1. Pin Assignments Table**

| Name             | Pin No. | Type              |
|------------------|---------|-------------------|
| GND              | 1       | G                 |
| P3MDIAP          | 2       | AI/O              |
| P3MDIAN          | 3       | AI/O              |
| P3MDIBP          | 4       | AI/O              |
| P3MDIBN          | 5       | AI/O              |
| AVDDL            | 6       | AP                |
| P3MDICP          | 7       | AI/O              |
| P3MDICN          | 8       | AI/O              |
| P3MDIDP          | 9       | AI/O              |
| P3MDIDN          | 10      | AI/O              |
| AVDDH            | 11      | AP                |
| AGND             | 12      | AG                |
| MDIREF           | 13      | AO                |
| AVDDL            | 14      | AP                |
| RTT1             | 15      | AO                |
| RTT2             | 16      | AO                |
| AVDDH            | 17      | AP                |
| GND              | 18      | G                 |
| GPIO57/INTERRUPT | 19      | I/O <sub>PD</sub> |
| DVDDL            | 20      | P                 |

| Name    | Pin No. | Type |
|---------|---------|------|
| AVDDH   | 21      | AP   |
| P4MDIAP | 22      | AI/O |
| P4MDIAN | 23      | AI/O |
| GND     | 24      | G    |
| P4MDIBP | 25      | AI/O |
| P4MDIBN | 26      | AI/O |
| AVDDL   | 27      | AP   |
| P4MDICP | 28      | AI/O |
| P4MDICN | 29      | AI/O |
| P4MDIDP | 30      | AI/O |
| P4MDIDN | 31      | AI/O |
| GND     | 32      | G    |
| AVDDH   | 33      | AP   |
| SGND    | 34      | AG   |
| HSOP    | 35      | AO   |
| HSOP    | 36      | AO   |
| SVDDL   | 37      | AP   |
| HSIP    | 38      | AI   |
| HSIN    | 39      | AI   |
| SGND    | 40      | AG   |

| Name   | Pin No. | Type              |
|--|---------|-------------------|
| SVDDH  | 41      | AP                |
| DVDDIO_2                                       | 42      | P                 |
| GND  | 43      | G                 |
| GND  | 44      | G                 |
| GPIO01/RG2_TXD3/M2M_TXD3/<br>M2P_RXD3/UART_RX  | 45      | I/O               |
| GPIO02/RG2_TXD2/M2M_TXD2/<br>M2P_RXD2/UART_TX  | 46      | I/O               |
| GPIO03/RG2_TXD1/M2M_TXD1/<br>M2P_RXD1          | 47      | I/O               |
| GPIO04/RG2_TXD0/M2M_TXD0/<br>M2P_RXD0/SPIF_CLK | 48      | I/O               |
| GPIO05/RG2_TXCTL/M2M_TXE<br>N/M2P_RXDV/SPIF_D0 | 49      | I/O               |
| GPIO06/RG2_TXCLK/M2M_TXC<br>LK/M2P_RXCLK       | 50      | I/O               |
| GPIO07/RG2_RXCLK/M2M_RXC<br>LK/M2P_TXCLK       | 51      | I/O               |
| GPIO08/RG2_RXCTL/M2M_RXD<br>V/M2P_TXEN         | 52      | I/O               |
| GPIO09/RG2_RXD0/M2M_RXD0/<br>M2P_TXD0/SPIF_D1  | 53      | I/O               |
| GPIO10/RG2_RXD1/M2M_RXD1/<br>M2P_TXD1/SPIF_CS  | 54      | I/O               |
| GPIO11/RG2_RXD2/M2M_RXD2/<br>M2P_TXD2          | 55      | I/O               |
| GPIO12/RG2_RXD3/M2M_RXD3/<br>M2P_TXD3          | 56      | I/O               |
| GND  | 57      | G                 |
| DVDDL  | 58      | P                 |
| DVDDIO_2                                       | 59      | P                 |
| EN_SWR   | 60      | AI                |
| GND_SWR  | 61      | AG                |
| GND_SWR  | 62      | AG                |
| LX   | 63      | AO                |
| LX   | 64      | AO                |
| HV_SWR   | 65      | AP                |
| HV_SWR   | 66      | AP                |
| DVDDIO   | 67      | P                 |
| GND  | 68      | G                 |
| DVDDL  | 69      | P                 |
| GP O39/LAN4LED0/<br>EEPROM_MOD                 | 70      | I/O <sub>PU</sub> |
| GPIO40/LAN4LED1                                | 71      | I/O <sub>PU</sub> |
| GPIO41/LAN3LED1                                | 72      | I/O <sub>PU</sub> |
| GP O42/EN_PWRLIGHT                             | 73      | I/O <sub>PU</sub> |

| Name                               | Pin No. | Type              |
|------------------------------------|---------|-------------------|
| GP O43/LAN3LED0/EN_SPIF            | 74      | I/O <sub>PU</sub> |
| GP O44/LAN2LED0/DIS_8051           | 75      | I/O <sub>PU</sub> |
| GP O45/DISAUTOLOAD                 | 76      | I/O <sub>PU</sub> |
| GPIO46/LAN2LED1                    | 77      | I/O <sub>PU</sub> |
| GPIO49/LAN1LED1                    | 78      | I/O <sub>PU</sub> |
| GP O50/LAN1LED0/EN_PHY             | 79      | I/O <sub>PU</sub> |
| GP O51/LAN0LED1/LED_DA             | 80      | I/O <sub>PU</sub> |
| GP O52/LAN0LED0/LED_CK/<br>SMI_SEL | 81      | I/O <sub>PU</sub> |
| AVDDH                              | 82      | AP                |
| XTALO                              | 83      | AO                |
| XTALI                              | 84      | AI                |
| GND                                | 85      | G                 |
| nRESET                             | 86      | I <sub>PU</sub>   |
| GPIO54/SCK/MDC/EN_EEE              | 87      | I/O               |
| GPIO55/SDA/MDIO                    | 88      | I/O               |
| GND                                | 89      | G                 |
| AVDDH                              | 90      | AP                |
| P0MDIAP                            | 91      | AI/O              |
| P0MDIAN                            | 92      | AI/O              |
| P0MDIBP                            | 93      | AI/O              |
| P0MDIBN                            | 94      | AI/O              |
| AVDDL                              | 95      | AP                |
| GND                                | 96      | G                 |
| P0MDICP                            | 97      | AI/O              |
| P0MDICN                            | 98      | AI/O              |
| GND                                | 99      | G                 |
| P0MDIDP                            | 100     | AI/O              |
| P0MDIDN                            | 101     | AI/O              |
| AVDDH                              | 102     | AP                |
| P1MDIAP                            | 103     | AI/O              |
| P1MDIAN                            | 104     | AI/O              |
| GND                                | 105     | G                 |
| P1MDIBP                            | 106     | AI/O              |
| P1MDIBN                            | 107     | AI/O              |
| AVDDL                              | 108     | AP                |
| P1MDICP                            | 109     | AI/O              |
| P1MDICN                            | 110     | AI/O              |
| GND                                | 111     | G                 |
| P1MDIDP                            | 112     | AI/O              |
| P1MDIDN                            | 113     | AI/O              |
| PLLVDL                             | 114     | AP                |
| PLLGND                             | 115     | AG                |
| AVDDH                              | 116     | AP                |

| Name    | Pin No. | Type |
|---------|---------|------|
| P2MDIAP | 117     | AI/O |
| P2MDIAN | 118     | AI/O |
| GND     | 119     | G    |
| P2MDIBP | 120     | AI/O |
| P2MDIBN | 121     | AI/O |
| AVDDL   | 122     | AP   |

| Name    | Pin No. | Type |
|---------|---------|------|
| P2MDICP | 123     | AI/O |
| P2MDICN | 124     | AI/O |
| GND     | 125     | G    |
| P2MDIDP | 126     | AI/O |
| P2MDIDN | 127     | AI/O |
| AVDDH   | 128     | AP   |

**Realtek**  
**CONFIDENTIAL**  
**for Grandstream**

## 7. Pin Descriptions

### 7.1. Media Dependent Interface Pins

**Table 2. Media Dependent Interface Pins**

| Pin Name  | Pin No. | Type | Drive (mA) | Description   |
|-----------|---------|------|------------|---|
| P0MDIAP/N | 91      | AI/O | 10         | Port 0 Media Dependent Interface A~D.<br>For 1000Base-T operation, differential data from the media is transmitted and received on all four pairs. For 100Base-TX and 10Base-T operation, only MDIAP/N and MDIBP/N are used. Auto MDIX can reverse the pairs MDIAP/N and MDIBP/N.<br><br>Each of the differential pairs has an internal 100-ohm termination resistor. |
|           | 92      |      |            |   |
| P0MDIBP/N | 93      |      |            |   |
|           | 94      |      |            |   |
| P0MDICP/N | 97      |      |            |   |
|           | 98      |      |            |   |
| P0MDIDP/N | 100     |      |            |   |
|           | 101     |      |            |   |
| P1MDIAP/N | 103     | AI/O | 10         | Port 1 Media Dependent Interface A~D.<br>For 1000Base-T operation, differential data from the media is transmitted and received on all four pairs. For 100Base-TX and 10Base-T operation, only MDIAP/N and MDIBP/N are used. Auto MDIX can reverse the pairs MDIAP/N and MDIBP/N.<br><br>Each of the differential pairs has an internal 100-ohm termination resistor. |
|           | 104     |      |            |   |
| P1MDIBP/N | 106     |      |            |   |
|           | 107     |      |            |   |
| P1MDICP/N | 109     |      |            |   |
|           | 110     |      |            |   |
| P1MDIDP/N | 112     |      |            |   |
|           | 113     |      |            |   |
| P2MDIAP/N | 117     | AI/O | 10         | Port 2 Media Dependent Interface A~D.<br>For 1000Base-T operation, differential data from the media is transmitted and received on all four pairs. For 100Base-TX and 10Base-T operation, only MDIAP/N and MDIBP/N are used. Auto MDIX can reverse the pairs MDIAP/N and MDIBP/N.<br><br>Each of the differential pairs has an internal 100-ohm termination resistor. |
|           | 118     |      |            |   |
| P2MDIBP/N | 120     |      |            |   |
|           | 121     |      |            |   |
| P2MDICP/N | 123     |      |            |   |
|           | 124     |      |            |   |
| P2MDIDP/N | 126     |      |            |   |
|           | 127     |      |            |   |
| P3MDIAP/N | 2       | AI/O | 10         | Port 3 Media Dependent Interface A~D.<br>For 1000Base-T operation, differential data from the media is transmitted and received on all four pairs. For 100Base-TX and 10Base-T operation, only MDIAP/N and MDIBP/N are used. Auto MDIX can reverse the pairs MDIAP/N and MDIBP/N.<br><br>Each of the differential pairs has an internal 100-ohm termination resistor. |
|           | 3       |      |            |   |
| P3MDIBP/N | 4       |      |            |   |
|           | 5       |      |            |   |
| P3MDICP/N | 7       |      |            |   |
|           | 8       |      |            |   |
| P3MDIDP/N | 9       |      |            |   |
|           | 10      |      |            |   |
| P4MDIAP/N | 22      | AI/O | 10         | Port 4 Media Dependent Interface A~D.<br>For 1000Base-T operation, differential data from the media is transmitted and received on all four pairs. For 100Base-TX and 10Base-T operation, only MDIAP/N and MDIBP/N are used. Auto MDIX can reverse the pairs MDIAP/N and MDIBP/N.<br><br>Each of the differential pairs has an internal 100-ohm termination resistor. |
|           | 23      |      |            |   |
| P4MDIBP/N | 25      |      |            |   |
|           | 26      |      |            |   |
| P4MDICP/N | 28      |      |            |   |
|           | 29      |      |            |   |
| P4MDIDP/N | 30      |      |            |   |
|           | 31      |      |            |   |

## 7.2. High Speed Serial Interface Pins

| Pin Name | Pin No.  | Type | Drive (mA) | Description  |
|----------|----------|------|------------|--|
| HSOP/N   | 36<br>35 | AO   | 10         | High Speed Serial Output Pins: 1.25GHz/3.125GHz Differential serial interface to transmit data. Keep floating when unused. |
| HSIP/N   | 38<br>39 | AI   | 10         | High Speed Serial Input Pins: 1.25GHz/3.125GHz Differential serial interface to receive data. Keep floating when unused.   |

## 7.3. General Purpose Interfaces

The RTL8367S supports multi-function General Purpose Interfaces that can be configured as MII/RGMII mode for extension GMAC interfaces. The RTL8367S supports one digital extension interfaces (Extension GMAC2) for connecting with an external PHY, MAC, or CPU in specific applications. This extension interface supports RGMII, MII MAC mode, or MII PHY mode via register configuration.

**Table 3. General Purpose Interfaces Pins**

| Pin No. | GPIO   | RGMII     | MII MAC Mode | MII PHY Mode | Other function      | Configuration Strapping |
|---------|--------|-----------|--------------|--------------|---------------------|-------------------------|
| 19      | GPIO57 |           |              |              | INTERRUPT           |                         |
| 45      | GPIO01 | RG2_TXD3  | M2M_TXD3     | M2P_RXD3     | UART_RX             |                         |
| 46      | GPIO02 | RG2_TXD2  | M2M_TXD2     | M2P_RXD2     | UART_TX             |                         |
| 47      | GPIO03 | RG2_TXD1  | M2M_TXD1     | M2P_RXD1     |                     |                         |
| 48      | GPIO04 | RG2_TXD0  | M2M_TXD0     | M2P_RXD0     | SPIF_CLK            |                         |
| 49      | GPIO05 | RG2_TXCTL | M2M_TXEN     | M2P_RXDV     | SPIF_D0             |                         |
| 50      | GPIO06 | RG2_TXCLK | M2M_TXCLK    | M2P_RXCLK    |                     |                         |
| 51      | GPIO07 | RG2_RXCLK | M2M_RXCLK    | M2P_TXCLK    |                     |                         |
| 52      | GPIO08 | RG2_RXCTL | M2M_RXDV     | M2P_TXEN     |                     |                         |
| 53      | GPIO09 | RG2_RXD0  | M2M_RXD0     | M2P_TXD0     | SPIF_D1             |                         |
| 54      | GPIO10 | RG2_RXD1  | M2M_RXD1     | M2P_TXD1     | SPIF_CS             |                         |
| 55      | GPIO11 | RG2_RXD2  | M2M_RXD2     | M2P_TXD2     |                     |                         |
| 56      | GPIO12 | RG2_RXD3  | M2M_RXD3     | M2P_TXD3     |                     |                         |
| 70      | GP O39 |           |              |              | LAN4LED0            | EEPROM_MOD              |
| 71      | GPIO40 |           |              |              | LAN4LED1            |                         |
| 72      | GPIO41 |           |              |              | LAN3LED1            |                         |
| 73      | GP O42 |           |              |              |                     | EN_PWRLIGHT             |
| 74      | GP O43 |           |              |              | LAN3LED0            | EN_SPIF                 |
| 75      | GP O44 |           |              |              | LAN2LED0            | DIS_8051                |
| 76      | GP O45 |           |              |              |                     | DISAUTOLOAD             |
| 77      | GPIO46 |           |              |              | LAN2LED1            |                         |
| 78      | GPIO49 |           |              |              | LAN1LED1            |                         |
| 79      | GP O50 |           |              |              | LAN1LED0            | EN_PHY                  |
| 80      | GP O51 |           |              |              | LAN0LED1/<br>LED_DA |                         |
| 81      | GP O52 |           |              |              | LAN0LED0/<br>LED_CK | SMI_SEL                 |

| Pin No. | GPIO   | RGMII | MII MAC Mode | MII PHY Mode | Other function | Configuration Strapping |
|---------|--------|-------|--------------|--------------|----------------|-------------------------|
| 87      | GPIO54 |       |              |              | SCK/<br>MDC    | EN_EEE                  |
| 88      | GPIO55 |       |              |              | SDA/<br>MDIO   |                         |

**Realtek**  
**CONFIDENTIAL**  
**for Grandstream**

### 7.3.1. RGMII Pins

The Extension GMAC2 of the RTL8367S supports RGMII interface to connect with an external MAC or PHY device when register configuration is set to RGMII mode interface.

**Table 4. Extension GMAC2 RGMII Pins**

| Pin Name                                     | Pin No.              | Type | Drive (mA) | Description   |
|--|----------------------|------|------------|---|
| RG2_TXD3<br>RG2_TXD2<br>RG2_TXD1<br>RG2_TXD0 | 45<br>46<br>47<br>48 | O    | -          | RG2_TXD[3:0] Extension GMAC2 RGMII Transmit Data Output. Transmitted data is sent synchronously to RG2_TXCLK.   |
| RG2_TXCTL                                    | 49                   | O    | -          | RG2_TXCTL Extension GMAC2 RGMII Transmit Control signal Output.<br>The RG2_TXCTL indicates TX_EN at the rising edge of RG2_TXCLK, and TX_ER at the falling edge of RG2_TXCLK.<br>At the RG2_TXCLK falling edge, RG2_TXCTL= TX_EN (XOR) TX_ER.   |
| RG2_TXCLK                                    | 50                   | O    | -          | RG2_TXCLK Extension GMAC2 RGMII Transmit Clock Output. RG2_TXCLK is 125MHz @ 1Gbps, 25MHz @ 100Mbps, and 2.5MHz @ 10Mbps.<br>Used for RG2_TXD[3:0] and RG2_TXCTL synchronization at RG2_TXCLK on both rising and falling edges.   |
| RG2_RXCLK                                    | 51                   | I    | -          | RG2_RXCLK Extension GMAC2 RGMII Receive Clock Input. RG2_RXCLK is 125MHz @ 1Gbps, 25MHz @ 100Mbps, and 2.5MHz @ 10Mbps.<br>Used for RG2_RXD[3:0] and RG2_RXCTL synchronization at both RG2_RXCLK rising and falling edges.<br>This pin must be pulled low with a 1K ohm resistor when not used.     |
| RG2_RXCTL                                    | 52                   | I    | -          | RG2_RXCTL Extension GMAC2 RGMII Receive Control signal input. The RG2_RXCTL indicates RX_DV at the rising of RG2_RXCLK and RX_ER at the falling edge of RG2_RXCLK.<br>At RG2_RXCLK falling edge, RG2_RXCTL= RX_DV (XOR) RX_ER.<br>This pin must be pulled low with a 1K ohm resistor when not used. |
| RG2_RXD0<br>RG2_RXD1<br>RG2_RXD2<br>RG2_RXD3 | 53<br>54<br>55<br>56 | I    | -          | RG2_RXD[3:0] Extension GMAC2 RGMII Receive Data Input. Received data is received synchronously by RG2_RXCLK.<br>These pins must be pulled low with a 1K ohm resistor when not used.   |



### 7.3.2. MII Pins

The Extension GMAC2 of the RTL8367S supports MII interface to connect with an external MAC or PHY device when register configuration is set to MII mode interface. This MII interface can be configured as MII MAC mode or MII PHY mode by register.

**Table 5. Extension GMAC2 MII Pins (MII MAC Mode or MII PHY Mode)**

| Pin Name                | Pin No. | Type | Drive (mA) | Description   |
|-------------------------|---------|------|------------|---|
| M2M_TXD3/<br>M2P_RXD3   | 45      | O    | -          | M2M_TXD[3:0] Extension GMAC2 MII MAC Mode Transmit Data Output.   |
| M2M_TXD2/<br>M2P_RXD2   | 46      |      |            | Transmitted data is sent synchronously at the rising edge of M2M_TXCLK.   |
| M2M_TXD1/<br>M2P_RXD1   | 47      |      |            | M2P_RXD[3:0] Extension GMAC2 MII PHY Mode Receive Data Output.  |
| M2M_TXD0/<br>M2P_RXD0   | 48      |      |            | Received data is received synchronously at the rising edge of M2P_RXCLK.  |
| M2M_TXEN/<br>M2P_RXDV   | 49      | O    | -          | M2M_TXEN Extension GMAC2 MII MAC Mode Transmit Data Enable Output.<br>Transmit enable that is sent synchronously at the rising edge of M2M_TXCLK.<br>M2P_RXDV Extension GMAC2 MII PHY Mode Receive Data Valid Output.<br>Receive Data Valid signal that is sent synchronously at the rising edge of M2P_RXCLK.  |
| M2M_TXCLK/<br>M2P_RXCLK | 50      | I/O  | -          | M2M_TXCLK Extension GMAC2 MII MAC Mode Transmit Clock Input.<br>In MII 100Mbps, M2M_TXCLK is 25MHz Clock Input.<br>In MII 10Mbps, M2M_TXCLK is 2.5MHz Clock Input.<br>Used to synchronize M2M_TXD[3:0] and M2M_TXEN.<br>M2P_RXCLK Extension GMAC2 MII PHY Mode Receive Clock Output.<br>In MII 100Mbps, M2P_RXCLK is 25MHz Clock Output.<br>In MII 10Mbps, M2P_RXCLK is 2.5MHz Clock Output.<br>Used to synchronize M2P_RXD[3:0] and M2P_RXDV.<br>This pin must be pulled low with a 1K ohm resistor when not used.           |
| M2M_RXCLK/<br>M2P_TXCLK | 51      | I/O  | -          | M2M_RXCLK Extension GMAC2 MII MAC Mode Receive Clock Input.<br>In MII 100Mbps, M2M_RXCLK is 25MHz Clock Input.<br>In MII 10Mbps, M2M_RXCLK is 2.5MHz Clock Input.<br>Used to synchronize M2M_RXD[3:0], M2M_RXDV, and M2M_CRS.<br>M2P_TXCLK Extension GMAC2 MII PHY Mode Transmit Clock Output.<br>In MII 100Mbps, M2P_TXCLK is 25MHz Clock Output.<br>In MII 10Mbps, M2P_TXCLK is 2.5MHz Clock Output.<br>Used to synchronize M2P_TXD[3:0] and M2P_TXEN.<br>This pin must be pulled low with a 1K ohm resistor when not used. |

| Pin Name              | Pin No. | Type | Drive (mA) | Description  |
|-----------------------|---------|------|------------|--|
| M2M_RXDV/<br>M2P_TXEN | 52      | I    | -          | M2M_RXDV Extension GMAC2 MII MAC Mode Receive Data Valid Input.<br>Receive Data Valid sent synchronously at the rising edge of M2M_RXCLK.<br>M2P_TXEN Extension GMAC2 MII PHY Mode Transmit Data Enable Input.<br>Transmit Data Enable is received synchronously at the rising edge of M2P_TXCLK.<br>This pin must be pulled low with a 1K ohm resistor when not used. |
| M2M_RXD0/<br>M2P_TXD0 | 53      | I    | -          | M2M_RXD[3:0] Extension GMAC2 MII MAC Mode Receive Data Input.  |
| M2M_RXD1/<br>M2P_TXD1 | 54      |      |            | Received data that is received synchronously at the rising edge of M2M_RXCLK.  |
| M2M_RXD2/<br>M2P_TXD2 | 55      |      |            | M2P_TXD[3:0] Extension GMAC2 MII PHY Mode Transmit Data Input.<br>Transmitted data is received synchronously at the rising edge of M2P_TXCLK.  |
| M2M_RXD3/<br>M2P_TXD3 | 56      |      |            | These pins must be pulled low with a 1K ohm resistor when not used.  |

REALTEK  
 CONFIDENTIAL  
 for Grandstream

## 7.4. LED Pins

The RTL8367S LED Pins can be configured to parallel mode LED or serial mode LED interface via Register configuration. LED0 and LED1 of Port n indicates information that can be defined via register or EEPROM.

In parallel mode LED interface, when the LED pin is pulled low, the LED output polarity will be high active. When the LED pin is pulled high, the LED output polarity will change from high active to low active. See section 9.19 LED Indicators, page 39 for more details.

**Table 6. LED Pins**

| Pin Name                        | Pin No. | Type              | Drive (mA) | Description  |
|---------------------------------|---------|-------------------|------------|--|
| LAN4LED1                        | 71      | I/O <sub>PU</sub> | -          | LAN 4 LED 1 Output Signal.<br>LAN4LED1 indicates information is defined by register or EEPROM.<br>See section 9.19 LED Indicators, page 39 for more details. |
| LAN4LED0/<br>EEPROM_MOD         | 70      | I/O <sub>PU</sub> | -          | LAN 4 LED 0 Output Signal.<br>LAN4LED0 indicates information is defined by register or EEPROM.<br>See section 9.19 LED Indicators, page 39 for more details. |
| LAN3LED1                        | 72      | I/O <sub>PU</sub> | -          | LAN 3 LED 1 Output Signal.<br>LAN3LED1 indicates information is defined by register or EEPROM.<br>See section 9.19 LED Indicators, page 39 for more details. |
| LAN3LED0/<br>EN_SPIF            | 74      | I/O <sub>PU</sub> | -          | LAN 3 LED 0 Output Signal.<br>LAN3LED0 indicates information is defined by register or EEPROM.<br>See section 9.19 LED Indicators, page 39 for more details. |
| LAN2LED1                        | 77      | I/O <sub>PU</sub> | -          | LAN 2 LED 1 Output Signal.<br>LAN2LED1 indicates information is defined by register or EEPROM.<br>See section 9.19 LED Indicators, page 39 for more details. |
| LAN2LED0/<br>DIS_8051           | 75      | I/O <sub>PU</sub> | -          | LAN 2 LED 0 Output Signal.<br>LAN2LED0 indicates information is defined by register or EEPROM.<br>See section 9.19 LED Indicators, page 39 for more details. |
| LAN1LED1                        | 78      | I/O <sub>PU</sub> | -          | LAN 1 LED 1 Output Signal.<br>LAN1LED1 indicates information is defined by register or EEPROM.<br>See section 9.19 LED Indicators, page 39 for more details. |
| LAN1LED0/<br>EN_PHY             | 79      | I/O <sub>PU</sub> | -          | LAN 1 LED 0 Output Signal.<br>LAN1LED0 indicates information is defined by register or EEPROM.<br>See section 9.19 LED Indicators, page 39 for more details. |
| LAN0LED1/<br>LED_DA             | 80      | I/O <sub>PU</sub> | -          | LAN 0 LED 1 Output Signal.<br>LAN0LED1 indicates information is defined by register or EEPROM.<br>See section 9.19 LED Indicators, page 39 for more details. |
| LAN0LED0/<br>LED_CK/<br>SMI_SEL | 81      | I/O <sub>PU</sub> | -          | LAN 0 LED 0 Output Signal.<br>LAN0LED0 indicates information is defined by register or EEPROM.<br>See section 9.19 LED Indicators, page 39 for more details. |

## 7.5. Configuration Strapping Pins

**Table 7. Configuration Strapping Pins**

| Pin Name                | Pin No. | Type              | Description  |
|-------------------------|---------|-------------------|--|
| EN_SWR                  | 60      | AI                | Enable Internal Switching Regulator.<br>Pull Up: Enable Internal Switching Regulator<br>Pull Down: Disable Internal Switching Regulator<br><i>Note: This pin must be pulled high or low via an external 1k ohm resistor when normal operation.</i>   |
| EEPROM_MOD/<br>LAN4LED0 | 70      | I/O <sub>PU</sub> | EEPROM Mode Selection.<br>Pull Up: EEPROM 24Cxx Size greater than 16Kbits (24C32~24C256)<br>Pull Down: EEPROM 24Cxx Size less than or equal to 16Kbit (24C02~24C16).<br><i>Note: This pin must be kept floating, or pulled high or low via an external 4.7k ohm resistor upon power on or reset.</i><br><i>When this pin is pulled low, the LED output polarity will be high active. When this pin is pulled high, the LED output polarity will change from high active to low active. See section 9.19 LED Indicators, page 39 for more details.</i>  |
| EN_PWRLIGHT             | 73      | I/O <sub>PU</sub> | Enable Power on Light.<br>Pull Up: Enable Power on Light<br>Pull Down: Disable Power on Light<br><i>Note: This pin must be kept floating, or pulled high or low via an external 4.7k ohm resistor upon power on or reset.</i><br><i>When this pin is pulled low, the LED output polarity will be high active. When this pin is pulled high, the LED output polarity will change from high active to low active. See section 9.19 LED Indicators, page 39 for more details.</i>   |
| EN_SPIF/<br>LAN3LED0    | 74      | I/O <sub>PU</sub> | Enable SPI FLASH Interface.<br>Pull Up: Enable FLASH interface<br>Pull Down: Disable FLASH interface<br><i>Note 1: The strapping pin DISAUTOLOAD, DIS_8051, and EN_SPIF are for power on or reset initial stage configuration. Refer to Table 8 Configuration Strapping Pins (DISAUTOLOAD, DIS_8051, and EN_SPIF), page 20 for details.</i><br><i>Note 2: This pin must be kept floating, or pulled high or low via an external 4.7k ohm resistor upon power on or reset.</i>  |
| DIS_8051/<br>LAN2LED0   | 75      | I/O <sub>PU</sub> | Disable Embedded 8051.<br>Pull Up: Disable embedded 8051<br>Pull Down: Enable embedded 8051<br><i>Note 1: The strapping pin DISAUTOLOAD, DIS_8051, and EN_SPIF are for power on or reset initial stage configuration. Refer to Table 8 Configuration Strapping Pins (DISAUTOLOAD, DIS_8051, and EN_SPIF), page 20 for details.</i><br><i>Note 2: This pin must be kept floating, or pulled high or low via an external 4.7k ohm resistor upon power on or reset.</i><br><i>When this pin is pulled low, the LED output polarity will be high active. When this pin is pulled high, the LED output polarity will change from high active to low active. See section 9.19 LED Indicator, page 39 for more details.</i> |

| Pin Name                          | Pin No. | Type              | Description  |
|-----------------------------------|---------|-------------------|--|
| DISAUTOLOAD                       | 76      | I/O <sub>PU</sub> | <p>Disable EEPROM/FLASH Autoload.</p> <p>Pull Up: Disable EEPROM/FLASH autoload</p> <p>Pull Down: Enable EEPROM/FLASH autoload</p> <p><i>Note 1: The strapping pin DISAUTOLOAD, DIS_8051, and EN_SPIF are for power on or reset initial stage configuration. Refer to Table 8 Configuration Strapping Pins (DISAUTOLOAD, DIS_8051, and EN_SPIF), page 20 for details.</i></p> <p><i>Note 2: This pin must be kept floating, or pulled high or low via an external 4.7k ohm resistor upon power on or reset.</i></p> <p><i>When this pin is pulled low, the LED output polarity will be high active. When this pin is pulled high, the LED output polarity will change from high active to low active. See section 9.19 LED Indicators, page 39 for more details.</i></p> |
| EN_PHY/<br>LAN1LED0               | 79      | I/O <sub>PU</sub> | <p>Enable Embedded PHY.</p> <p>Pull Up: Enable embedded PHY</p> <p>Pull Down: Disable embedded PHY</p> <p><i>Note: This pin must be kept floating, or pulled high or low via an external 4.7k ohm resistor upon power on or reset.</i></p> <p><i>When this pin is pulled low, the LED output polarity will be high active. When this pin is pulled high, the LED output polarity will change from high active to low active. See section 9.19 LED Indicators, page 39 for more details.</i></p>  |
| SMI_SEL/<br>LED_CK/<br>LAN0LED0   | 81      | I/O <sub>PU</sub> | <p>EEPROM SMI/MII Management Interface Selection.</p> <p>Pull Up: EEPROM SMI interface</p> <p>Pull Down: MII Management interface</p> <p><i>Note: This pin must be kept floating, or pulled high or low via an external 4.7k ohm resistor upon power on or reset.</i></p> <p><i>When this pin is pulled low, the LED output polarity will be high active. When this pin is pulled high, the LED output polarity will change from high active to low active. See section 9.19 LED Indicators, page 39 for more details.</i></p>   |
| EN_EEE/<br>GPIO54/<br>SCK/<br>MDC | 87      | I/O               | <p>Enable IEEE 802.3az Energy Efficient Ethernet (EEE).</p> <p>Pull Up: Enable Energy Efficient Ethernet (EEE) function</p> <p>Pull Down: Disable Energy Efficient Ethernet (EEE) function</p> <p><i>Note: This pin must be pulled high or low via an external 4.7k ohm resistor upon power on or reset.</i></p>   |

### 7.5.1. Configuration Strapping Pins (DISAUTOLOAD, DIS\_8051, and EN\_SPIF)

**Table 8. Configuration Strapping Pins (DISAUTOLOAD, DIS\_8051, and EN\_SPIF)**

| DISAUTOLOAD | DIS_8051   | EN_SPIF   | Initial Stage (Power On or Reset) Loading Data |                                  |
|-------------|------------|-----------|--|----------------------------------|
|             |            |           | From   | To                               |
| 0           | 0          | 0         | EEPROM   | Embedded 8051 Instruction Memory |
|             |            | 1         | SPI_FLASH                                      | Embedded 8051 Instruction Memory |
| 1           | 1          | Must be 0 | EEPROM   | Register                         |
|             | Irrelevant | X         | Do Nothing                                     | Do Nothing                       |

## 7.6. Management Interface Pins

**Table 9. Management Interface Pins**

| Pin Name     | Pin No. | Type            | Description  |
|--------------|---------|-----------------|--|
| INTERRUPT    | 19      | O <sub>PD</sub> | Interrupt output when Interrupt even occurs.<br>Active High by pull-down to GND via a 1K resistor.<br>Active Low by pull-up to DVDDIO via a 4.7K resistor. |
| UART_RX      | 45      | I               | Universal Asynchronous Receiver Pin.   |
| UART_TX      | 46      | O               | Universal Asynchronous Transmitter Pin.  |
| SPIF_CLK     | 48      | O               | Serial Clock Output (FLASH Interface).   |
| SPIF_D0      | 49      | I/O             | Serial Data I/O 0 (FLASH Interface).   |
| SPIF_D1      | 53      | I/O             | Serial Data I/O 1 (FLASH Interface).   |
| SPIF_CS      | 54      | O               | Chip Selection (FLASH Interface).  |
| SCK/<br>MDC  | 87      | I/O             | EEPROM SMI Interface Clock/MII Management Interface (MMD) Clock (selected via the hardware strapping pin 81, SMI_SEL).                                     |
| SDA/<br>MDIO | 88      | I/O             | EEPROM SMI Interface Data/MII Management Interface (MMD) Data (selected via the hardware strapping pin 81, SMI_SEL).                                       |

## 7.7. Miscellaneous Pins

**Table 10. Miscellaneous Pins**

| Pin Name            | Pin No. | Type            | Description  |
|---------------------|---------|-----------------|--|
| XTALO               | 83      | AO              | 25MHz Crystal Clock Output Pin.<br>25MHz +/-50ppm tolerance crystal output.<br>When using a crystal, series connect a 150 ohm resistor between XTALO and crystal, connect a loading capacitor between crystal pin and ground.  |
| XTALI               | 84      | AI              | 25MHz Crystal Clock Input and Feedback Pin.<br>25MHz +/-50ppm tolerance crystal reference or oscillator input.<br>When using a crystal, connect a loading capacitor between crystal pin and ground. When either using an oscillator or driving an external 25MHz clock from another device, XTALO should be kept floating.<br>The maximum XTALI input voltage is 3.3V. |
| MDIREF              | 13      | AO              | Reference Resistor.<br>A 2.49K ohm (1%) resistor must be connected between MDIREF and GND.   |
| nRESET              | 86      | I <sub>PU</sub> | System Reset Input Pin.<br>When low active will reset the RTL8367S.  |
| LX                  | 63, 64  | AO              | Internal Switching Regulator LX output. Connect to an inductor 2.2uH and capacitor 10uF to generate 1.1V power.  |
| GPIO01/<br>UART_RX  | 45      | I/O             | General Purpose Input/Output Interface IO01.   |
| GPIO02/<br>UART_TX  | 46      | I/O             | General Purpose Input/Output Interface IO02.   |
| GPIO03              | 47      | I/O             | General Purpose Input/Output Interface IO03.   |
| GPIO04/<br>SPIF_CLK | 48      | I/O             | General Purpose Input/Output Interface IO04.   |
| GPIO05/<br>SPIF_D0  | 49      | I/O             | General Purpose Input/Output Interface IO05.   |



| Pin Name                                   | Pin No. | Type              | Description                                  |
|--|---------|-------------------|--|
| GPIO06                                     | 50      | I/O               | General Purpose Input/Output Interface IO06. |
| GPIO07                                     | 51      | I/O               | General Purpose Input/Output Interface IO07. |
| GPIO08                                     | 52      | I/O               | General Purpose Input/Output Interface IO08. |
| GPIO09/<br>SPIF_D1                         | 53      | I/O               | General Purpose Input/Output Interface IO09. |
| GPIO10/<br>SPIF_CS                         | 54      | I/O               | General Purpose Input/Output Interface IO10. |
| GPIO11                                     | 55      | I/O               | General Purpose Input/Output Interface IO11. |
| GPIO12                                     | 56      | I/O               | General Purpose Input/Output Interface IO12. |
| GP O39/<br>LAN4LED0/<br>EEPROM_MOD         | 70      | I/O <sub>PU</sub> | General Purpose Output Interface O39.        |
| GPIO40/<br>LAN4LED1                        | 71      | I/O <sub>PU</sub> | General Purpose Input/Output Interface IO40. |
| GPIO41/<br>LAN3LED1                        | 72      | I/O <sub>PU</sub> | General Purpose Input/Output Interface IO41. |
| GP O42/<br>EN_PWRLIGHT                     | 73      | I/O <sub>PU</sub> | General Purpose Output Interface O42.        |
| GP O43/<br>LAN3LED0/<br>EN_SPIF            | 74      | I/O <sub>PU</sub> | General Purpose Output Interface O43.        |
| GP O44/<br>LAN2LED0/<br>DIS_8051           | 75      | I/O <sub>PU</sub> | General Purpose Output Interface O44.        |
| GP O45/<br>DISAUTOLOAD                     | 76      | I/O <sub>PU</sub> | General Purpose Output Interface O45.        |
| GPIO46/<br>LAN2LED1                        | 77      | I/O <sub>PU</sub> | General Purpose Input/Output Interface IO46. |
| GPIO49/<br>LAN1LED1                        | 78      | I/O <sub>PU</sub> | General Purpose Input/Output Interface IO49. |
| GP O50/<br>LAN1LED0/<br>EN_PHY             | 79      | I/O <sub>PU</sub> | General Purpose Output Interface O50.        |
| GP O51/<br>LAN0LED1/<br>LED_DA             | 80      | I/O <sub>PU</sub> | General Purpose Output Interface O51.        |
| GP O52/<br>LAN0LED0/<br>LED_CK/<br>SMI_SEL | 81      | I/O <sub>PU</sub> | General Purpose Output Interface O52.        |
| GPIO54/<br>SCK/<br>MDC/<br>EN_EEE          | 87      | I/O               | General Purpose Input/Output Interface IO54. |
| GPIO55/<br>SDA/<br>MDIO                    | 88      | I/O               | General Purpose Input/Output Interface IO55. |

| Pin Name             | Pin No. | Type              | Description                                  |
|----------------------|---------|-------------------|--|
| GPIO57/<br>INTERRUPT | 19      | I/O <sub>PD</sub> | General Purpose Input/Output Interface IO57. |

## 7.8. Test Pins

**Table 11. Test Pins**

| Pin Name | Pin No. | Type | Description                                       |
|----------|---------|------|---|
| RTT1     | 15      | AO   | Reserved for Internal Use. Must be left floating. |
| RTT2     | 16      | AO   | Reserved for Internal Use. Must be left floating. |

## 7.9. Power and GND Pins

**Table 12. Power and GND Pins**

| Pin Name | Pin No.   | Type | Description  |
|----------|---|------|--|
| DVDDIO   | 67  | P    | Digital I/O High Voltage Power for LED, Management Interface, and nRESET.      |
| DVDDIO_2 | 42, 59  | P    | Digital I/O High Voltage Power for Extension Port 2 General Purpose Interface. |
| DVDDL    | 20, 58, 69  | P    | Digital Low Voltage Power.   |
| AVDDH    | 11, 17, 21, 33, 82, 90, 102, 116, 128                             | AP   | Analog High Voltage Power and INTERRUPT.                                       |
| SVDDH    | 41  | AP   | Ser-Des High Voltage Power.  |
| HV_SWR   | 65, 66  | AP   | Internal Switching Regulator Power, Connect to a bulk capacitor 10uF to GND.   |
| AVDDL    | 6, 14, 27, 95, 108, 122   | AP   | Analog Low Voltage Power.  |
| SVDDL    | 37  | AP   | Ser-Des Low Voltage Power.   |
| PLLVDDL  | 114   | AP   | PLL Low Voltage Power.   |
| GND      | 1, 18, 24, 32, 43, 44, 57, 68, 85, 89, 96, 99, 105, 111, 119, 125 | G    | GND.   |
| AGND     | 12  | AG   | Analog GND.  |
| SGND     | 34, 40  | AG   | Ser-Des GND.   |
| GND_SWR  | 61, 62  | AG   | Internal Switching Regulator GND.  |
| PLLGND   | 115   | AG   | PLL GND.   |



## 8. Physical Layer Functional Overview

### 8.1. MDI Interface

The RTL8367S embeds five 10/100/1000M Ethernet PHYs in one chip. Each port uses a single common MDI interface to support 1000Base-T, 100Base-TX, and 10Base-T. This interface consists of four signal pairs-A, B, C, and D. Each signal pair consists of two bi-directional pins that can transmit and receive at the same time. The MDI interface has internal termination resistors, and therefore reduces BOM cost and PCB complexity. For 1000Base-T, all four pairs are used in both directions at the same time. For 10/100 links and during auto-negotiation, only pairs A and B are used.

### 8.2. 1000Base-T Transmit Function

The 1000Base-TX transmit function performs 8B/10B coding, scrambling, and 4D-PAM5 encoding. These code groups are passed through a waveform-shaping filter to minimize EMI effects, and are transmitted onto 4-pair CAT5 cable at 125MBaud/s through a D/A converter.

### 8.3. 1000Base-T Receive Function

Input signals from the media pass through the sophisticated on-chip hybrid circuit to subtract the transmitted signal from the input signal for effective reduction of near-end echo. The received signal is then processed with state-of-the-art technology, e.g., adaptive equalization, BLW (Baseline Wander) correction, cross-talk cancellation, echo cancellation, timing recovery, error correction, and 4D-PAM5 decoding. The 8-bit-wide data is recovered and is sent to the GMII interface at a clock speed of 125MHz. The RX MAC retrieves the packet data from the internal receive MII/GMII interface and sends it to the packet buffer manager.

### 8.4. 100Base-TX Transmit Function

The 100Base-TX transmit function performs parallel to serial conversion, 4B/5B coding, scrambling, NRZ/NRZI conversion, and MLT-3 encoding. The 5-bit serial data stream after 4B/5B coding is then scrambled as defined by the TP-PMD Stream Cipher function to flatten the power spectrum energy such that EMI effects can be reduced significantly.

The scrambled seed is based on PHY addresses and is unique for each port. After scrambling, the bit stream is driven onto the network media in the form of MLT-3 signaling. The MLT-3 multi-level signaling technology moves the power spectrum energy from high frequency to low frequency, which also reduces EMI emissions.

### ***8.5. 100Base-TX Receive Function***

The receive path includes a receiver composed of an adaptive equalizer and DC restoration circuits (to compensate for an incoming distorted MLT-3 signal), an MLT-3 to NRZI and NRZI to NRZ converter to convert analog signals to digital bit-stream, and a PLL circuit to clock data bits with minimum bit error rate. A de-scrambler, 5B/4B decoder, and serial-to-parallel conversion circuits are followed by the PLL circuit. Finally, the converted parallel data is fed into the MAC.

### ***8.6. 10Base-T Transmit Function***

The output 10Base-T waveform is Manchester-encoded before it is driven onto the network media. The internal filter shapes the driven signals to reduce EMI emissions, eliminating the need for an external filter.

### ***8.7. 10Base-T Receive Function***

The Manchester decoder converts the incoming serial stream to NRZ data when the squelch circuit detects the signal level is above squelch level.

### ***8.8. Auto-Negotiation for UTP***

The RTL8367S obtains the states of duplex, speed, and flow control ability for each port in UTP mode through the auto-negotiation mechanism defined in the IEEE 802.3 specifications. During auto-negotiation, each port advertises its ability to its link partner and compares its ability with advertisements received from its link partner. By default, the RTL8367S advertises full capabilities (1000Full, 100Full, 100Half, 10Full, 10Half) together with flow control ability.

## 8.9. Crossover Detection and Auto Correction

The RTL8367S automatically determines whether or not it needs to crossover between pairs (see Table 13) so that an external crossover cable is not required. When connecting to another device that does not perform MDI crossover, when necessary, the RTL8367S automatically switches its pin pairs to communicate with the remote device. When connecting to another device that does have MDI crossover capability, an algorithm determines which end performs the crossover function.

The crossover detection and auto correction function can be disabled via register configuration. The pin mapping in MDI and MDI Crossover mode is given below.

**Table 13. Media Dependent Interface Pin Mapping**

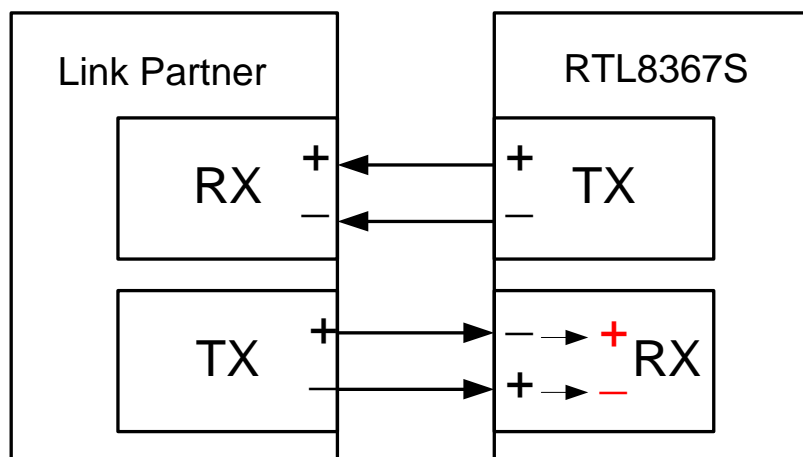
| Pairs | MDI        |            |          | MDI Crossover |            |          |
|-------|------------|------------|----------|---------------|------------|----------|
|       | 1000Base-T | 100Base-TX | 10Base-T | 1000Base-T    | 100Base-TX | 10Base-T |
| A     | A          | TX         | TX       | B             | RX         | RX       |
| B     | B          | RX         | RX       | A             | TX         | TX       |
| C     | C          | Unused     | Unused   | D             | Unused     | Unused   |
| D     | D          | Unused     | Unused   | C             | Unused     | Unused   |

## 8.10. Polarity Correction

The RTL8367S automatically corrects polarity errors on the receiver pairs in 1000Base-T and 10Base-T modes. In 100Base-TX mode, the polarity is irrelevant.

In 1000Base-T mode, receive polarity errors are automatically corrected based on the sequence of idle symbols. Once the de-scrambler is locked, the polarity is also locked on all pairs. The polarity becomes unlocked only when the receiver loses lock.

In 10Base-T mode, polarity errors are corrected based on the detection of valid spaced link pulses. The detection begins during the MDI crossover detection phase and locks when the 10Base-T link is up. The polarity becomes unlocked when the link is down.



**Figure 5. Conceptual Example of Polarity Correction**

## 9. General Function Description

### 9.1. Reset

#### 9.1.1. Hardware Reset

In a power-on reset, an internal power-on reset pulse is generated and the RTL8367S will start the reset initialization procedures. These are:

- Determine various default settings via the hardware strap pins at the end of the nRESET signal
- Autoload the configuration from EEPROM if EEPROM is detected
- Complete the embedded SRAM BIST process
- Initialize the packet buffer descriptor allocation
- Initialize the internal registers and prepare them to be accessed by the external CPU

#### 9.1.2. Software Reset

The RTL8367S supports two software resets; a chip reset and a soft reset.

##### 9.1.2.1 *CHIP\_RESET*

When *CHIP\_RESET* is set to 0b1 (write and self-clear), the chip will take the following steps:

1. Download configuration from strap pin and EEPROM
2. Start embedded SRAM BIST (Built-In Self Test)
3. Clear all the Lookup and VLAN tables
4. Reset all registers to default values
5. Restart the auto-negotiation process

##### 9.1.2.2 *SOFT\_RESET*

When *SOFT\_RESET* is set to 0b1 (write and self-clear), the chip will take the following steps:

1. Clear the FIFO and re-start the packet buffer link list
2. Restart the auto-negotiation process

### 9.2. IEEE 802.3x Full Duplex Flow Control

The RTL8367S supports IEEE 802.3x flow control in 10/100/1000M modes. Flow control can be decided in two ways:

- When Auto-Negotiation is enabled, flow control depends on the result of NWay
- When Auto-Negotiation is disabled, flow control depends on register definition

### 9.3. Half Duplex Flow Control

In half duplex mode, the CSMA/CD media access method is the means by which two or more stations share a common transmission medium. To transmit, a station waits (defers) for a quiet period on the medium (that is, no other station is transmitting) and then sends the intended message in bit-serial form. If the message collides with that of another station, then each transmitting station intentionally transmits for an additional predefined period to ensure propagation of the collision throughout the system. The station remains silent for a random amount of time (backoff) before attempting to transmit again.

When a transmission attempt has terminated due to a collision, it is retried until it is successful. The scheduling of the retransmissions is determined by a controlled randomization process called “Truncated Binary Exponential Backoff”. At the end of enforcing a collision (jamming), the switch delays before attempting to retransmit the frame. The delay is an integer multiple of slot time (512 bit times). The number of slot times to delay before the  $n$ th retransmission attempt is chosen as a uniformly distributed random integer ‘ $r$ ’ in the range:

$$0 \leq r < 2k$$

where:

$k = \min(n, \text{backoffLimit})$ . The backoffLimit for the RTL8367S is 9.

The half duplex back-off algorithm in the RTL8367S does not have the maximum retry count limitation of 16 (as defined in IEEE 802.3). This means packets in the switch will not be dropped if the back-off retry count is over 16.

#### 9.3.1. Back-Pressure Mode

In Back-Pressure mode, the RTL8367S sends a 4-byte jam pattern (data=0xAA) to collide with incoming packets when congestion control is activated. The Jam pattern collides at the fourth byte counted from the preamble. The RTL8367S supports 48PASS1, which receives one packet after 48 consecutive jam collisions (data collisions are not included in the 48). Enable this function to prevent port partition after 63 consecutive collisions (data collisions + consecutive jam collisions).

## ***9.4. Search and Learning***

### **Search**

When a packet is received, the RTL8367S uses the destination MAC address, Filtering Identifier (FID) and Enhanced Filtering Identifier (EFID) to search the 2K-entry look-up table. The 48-bit MAC address, 4-bit FID and 3-bit EFID use a hash algorithm, to calculate an 11-bit index value. The RTL8367S uses the index to compare the packet MAC address with the entries (MAC addresses) in the look-up table. This is the 'Address Search'. If the destination MAC address is not found, the switch will broadcast the packet according to VLAN configuration.

### **Learning**

The RTL8367S uses the source MAC address, FID, and EFID of the incoming packet to hash into a 9-bit index. It then compares the source MAC address with the data (MAC addresses) in this index. If there is a match with one of the entries, the RTL8367S will update the entry with new information. If there is no match and the 2K entries are not all occupied by other MAC addresses, the RTL8367S will record the source MAC address and ingress port number into an empty entry. This process is called 'Learning'.

Address aging is used to keep the contents of the address table correct in a dynamic network topology. The look-up engine will update the time stamp information of an entry whenever the corresponding source MAC address appears. An entry will be invalid (aged out) if its time stamp information is not refreshed by the address learning process during the aging time period. The aging time of the RTL8367S is between 200 and 400 seconds (typical is 300 seconds).

## ***9.5. SVL and IVL/SVL***

The RTL8367S supports a 16-group Filtering Identifier (FID) for L2 search and learning. In default operation, all VLAN entries belong to the same FID. This is called Shared VLAN Learning (SVL). If VLAN entries are configured to different FIDs, then the same source MAC address with multiple FIDs can be learned into different look-up table entries. This is called Independent VLAN Learning and Shared VLAN Learning (IVL/SVL).

## ***9.6. Illegal Frame Filtering***

Illegal frames such as CRC error packets, runt packets (length <64 bytes), and oversize packets (length >maximum length) will be discarded by the RTL8367S. The maximum packet length may be set from 1518 bytes to 16K bytes.

## 9.7. IEEE 802.3 Reserved Group Addresses Filtering Control

The RTL8367S supports the ability to drop/forward IEEE 802.3 specified reserved group MAC addresses: 01-80-C2-00-00-00 to 01-80-C2-00-00-2F. The default setting enables forwarding of these reserved group MAC address control frames. Frames with group MAC address 01-80-C2-00-00-01 (802.3x Pause) and 01-80-C2-00-00-02 (802.3ad LACP) will always be filtered. Table 14 shows the Reserved Multicast Address (RMA) configuration mode from 01-80-C2-00-00-00 to 01-80-C2-00-00-2F.

**Table 14. Reserved Multicast Address Configuration Table**

| Assignment  | Value   |
|---|---|
| Bridge Group Address                                      | 01-80-C2-00-00-00   |
| IEEE Std 802.3, 1988 Edition, Full Duplex PAUSE Operation | 01-80-C2-00-00-01   |
| IEEE Std 802.3ad Slow Protocols-Multicast Address         | 01-80-C2-00-00-02   |
| IEEE Std 802.1X PAE Address                               | 01-80-C2-00-00-03   |
| Provider Bridge Group Address                             | 01-80-C2-00-00-08   |
| Undefined 802.1 Address                                   | 01-80-C2-00-00-04 ~<br>01-80-C2-00-00-07<br>&<br>01-80-C2-00-00-09 ~<br>01-80-C2-00-00-0C<br>&<br>01-80-C2-00-00-0F |
| Provider Bridge MVRP Address                              | 01-80-C2-00-00-0D   |
| IEEE Std 802.1AB Link Layer Discovery Protocol Address    | 01-80-C2-00-00-0E   |
| All LANs Bridge Management Group Address                  | 01-80-C2-00-00-10   |
| Load Server Generic Address                               | 01-80-C2-00-00-11   |
| Loadable Device Generic Address                           | 01-80-C2-00-00-12   |
| Undefined 802.1 Address                                   | 01-80-C2-00-00-13 ~<br>01-80-C2-00-00-17<br>&<br>01-80-C2-00-00-19<br>&<br>01-80-C2-00-00-1B ~<br>01-80-C2-00-00-1F |
| Generic Address for All Manager Stations                  | 01-80-C2-00-00-18   |
| Generic Address for All Agent Stations                    | 01-80-C2-00-00-1a   |
| GMRP Address  | 01-80-C2-00-00-20   |
| GVRP Address  | 01-80-C2-00-00-21   |
| Undefined GARP Address                                    | 01-80-C2-00-00-22<br> <br>01-80-C2-00-00-2F   |
| CDP(Cisco Discovery Protocol)                             | 01-00-0C-CC-CC-CC   |
| CSSTP(Cisco Shared Spanning Tree Protocol)                | 01-00-0C-CC-CC-CD   |
| LLDP  | (01:80:c2:00:00:0e or<br>01:80:c2:00:00:03 or<br>01:80:c2:00:00:00)<br>&& ethertype = 0x88CC                        |



## ***9.8. Broadcast/Multicast/Unknown DA Storm Control***

The RTL8367S enables or disables per-port broadcast/multicast/unknown DA storm control by setting registers (default is disabled). After the receiving rate of broadcast/multicast/unknown DA packets exceeds a reference rate (number of Kbps per second or number of packets per second), all other broadcast/multicast/unknown DA packets will be dropped. The reference rate is set via register configuration.

## ***9.9. Port Security Function***

The RTL8367S supports three types of security function to prevent malicious attacks:

- Per-port enable/disable SA auto-learning for an ingress packet
- Per-port enable/disable look-up table aging update function for an ingress packet
- Per-port enable/disable drop all unknown DA packets

## ***9.10. MIB Counters***

The RTL8367S supports a set of counters to support management functions.

- MIB-II (RFC 1213)
- Ethernet-Like MIB (RFC 3635)
- Interface Group MIB (RFC 2863)
- RMON (RFC 2819)
- Bridge MIB (RFC 1493)
- Bridge MIB Extension (RFC 2674)

## ***9.11. Port Mirroring***

The RTL8367S supports one set of port mirroring functions for all ports. The TX, or RX, or both TX/RX packets from multiple mirrored port can be mirrored to one monitor port.



## 9.12. VLAN Function

The RTL8367S supports 4K VLAN groups. These can be configured as port-based VLANs, IEEE 802.1Q tag-based VLANs, and Protocol-based VLANs. Two ingress-filtering and egress-filtering options provide flexible VLAN configuration:

### Ingress Filtering

- The acceptable frame type of the ingress process can be set to ‘Admit All’, ‘Admit only Untagged’ or ‘Admit only Tagged’
- ‘Admit’ or ‘Discard’ frames associated with a VLAN for which that port is not in the member set

### Egress Filtering

- ‘Forward’ or ‘Discard’ Leaky VLAN frames between different VLAN domains
- ‘Forward’ or ‘Discard’ Multicast VLAN frames between different VLAN domains

The VLAN tag can be inserted or removed at the output port. The RTL8367S will insert a Port VID (PVID) for untagged frames, or remove the tag from tagged frames. The RTL8367S also supports a special insert VLAN tag function to separate traffic from the WAN and LAN sides in Router and Gateway applications.

In router applications, the router may want to know which input port this packet came from. The RTL8367S supports Port VID (PVID) for each port and can insert a PVID in the VLAN tag on egress. Using this function, VID information carried in the VLAN tag will be changed to PVID. The RTL8367S also provides an option to admit VLAN tagged packets with a specific PVID only. If this function is enabled, it will drop non-tagged packets and packets with an incorrect PVID.

### 9.12.1. Port-Based VLAN

This default configuration of the VLAN function can be modified via an attached serial EEPROM or EEPROM SMI Slave interface. The 4K-entry VLAN Table designed into the RTL8367S provides full flexibility for users to configure the input ports to associate with different VLAN groups. Each input port can join with more than one VLAN group.

Port-based VLAN mapping is the simplest implicit mapping rule. Each ingress packet is assigned to a VLAN group based on the input port. It is not necessary to parse and inspect frames in real-time to determine their VLAN association. All the packets received on a given input port will be forwarded to this port’s VLAN members.

### 9.12.2. IEEE 802.1Q Tag-Based VLAN

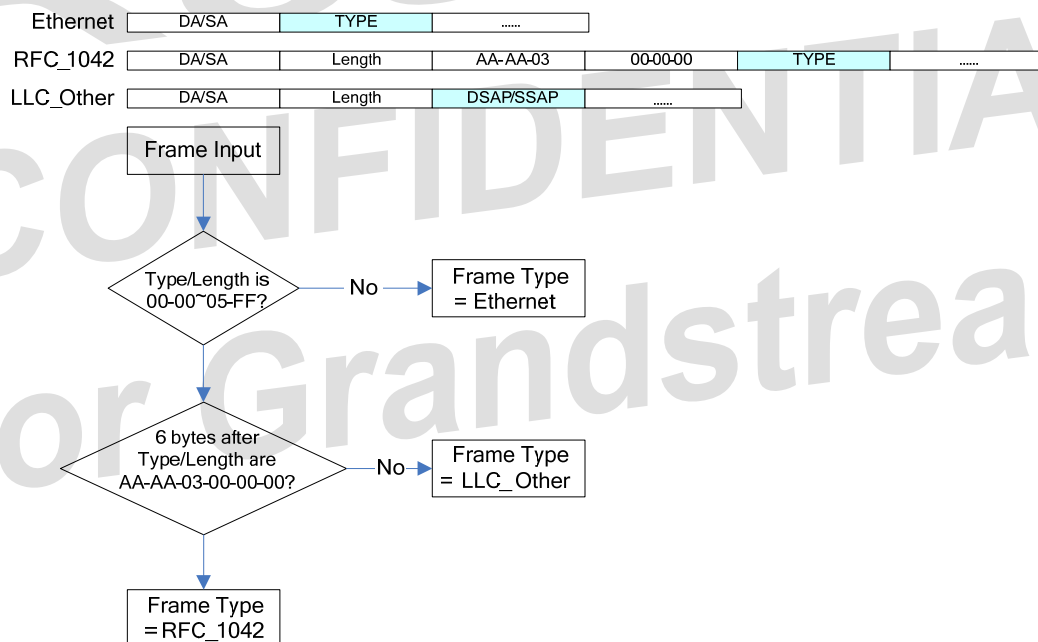
The RTL8367S supports 4K VLAN entries to perform 802.1Q tag-based VLAN mapping. In 802.1Q VLAN mapping, the RTL8367S uses a 12-bit explicit identifier in the VLAN tag to associate received packets with a VLAN. The RTL8367S compares the explicit identifier in the VLAN tag with the 4K VLAN Table to determine the VLAN association of this packet, and then forwards this packet to the member set of that VLAN. Two VIDs are reserved for special purposes. One of them is all 1’s, which is reserved and currently unused. The other is all 0’s, which indicates a priority tag. A priority-tagged frame should be treated as an untagged frame.

When ‘802.1Q tag aware VLAN’ is enabled, the RTL8367S performs 802.1Q tag-based VLAN mapping for tagged frames, but still performs port-based VLAN mapping for untagged frames. If ‘802.1Q tag aware VLAN’ is disabled, the RTL8367S performs only port-based VLAN mapping both on non-tagged and tagged frames. The processing flow when ‘802.1Q tag aware VLAN’ is enabled is illustrated below.

Two VLAN ingress filtering functions are supported in registers by the RTL8367S. One is the ‘VLAN tag admit control, which provides the ability to receive VLAN-tagged frames only. Untagged or priority tagged (VID=0) frames will be dropped. The other is ‘VLAN member set ingress filtering’, which will drop frames if the ingress port is not in the member set.

### 9.12.3. Protocol-Based VLAN

The RTL8367S supports a 4-group Protocol-based VLAN configuration. The packet format can be RFC 1042, LLC, or Ethernet, as shown in Figure 6. There are 4 configuration tables to assign the frame type and corresponding field value. Taking IP packet configuration as an example, the user can configure the frame type to be ‘Ethernet’, and value to be ‘0x0800’. Each table will index to one of the entries in the 4K-entry VLAN table. The packet stream will match the protocol type and the value will follow the VLAN member configuration of the indexed entry to forward the packets.



**Figure 6. Protocol-Based VLAN Frame Format and Flow Chart**

### 9.12.4. Port VID

In a router application, the router may want to know which input port this packet came from. The RTL8367S supports Port VID (PVID) for each port to insert a PVID in the VLAN tag for untagged or priority tagged packets on egress. When 802.1Q tag-aware VLAN is enabled, VLAN tag admit control is enabled, and non-PVID Discard is enabled at the same time. When these functions are enabled, the RTL8367S will drop non-tagged packets and packets with an incorrect PVID.

## **9.13. QoS Function**

The RTL8367S supports 8 priority queues and input bandwidth control. Packet priority selection can depend on Port-based priority, 802.1p/Q Tag-based priority, IPv4/IPv6 DSCP-based priority, and ACL-based priority. When multiple priorities are enabled in the RTL8367S, the packet's priority will be assigned based on the priority selection table.

Each queue has one leaky bucket for Average Packet Rate. Per-queue in each output port can be set as Strict Priority (SP) or Weighted Fair Queue (WFQ) for packet scheduling algorithm.

### **9.13.1. Input Bandwidth Control**

Input bandwidth control limits the input bandwidth. When input traffic is more than the RX Bandwidth parameter, this port will either send out a 'pause ON' frame, or drop the input packet depending on register setup. Per-port input bandwidth control rates can be set from 8Kbps to 1Gbps (in 8Kbps steps).

### **9.13.2. Priority Assignment**

Priority assignment specifies the priority of a received packet according to various rules. The RTL8367S can recognize the QoS priority information of incoming packets to give a different egress service priority.

The RTL8367S identifies the priority of packets based on several types of QoS priority information:

- Port-based priority
- 802.1p/Q-based priority
- IPv4/IPv6 DSCP-based priority
- ACL-based priority
- VLAN-based priority
- MAC-based priority
- SVLAN-based priority

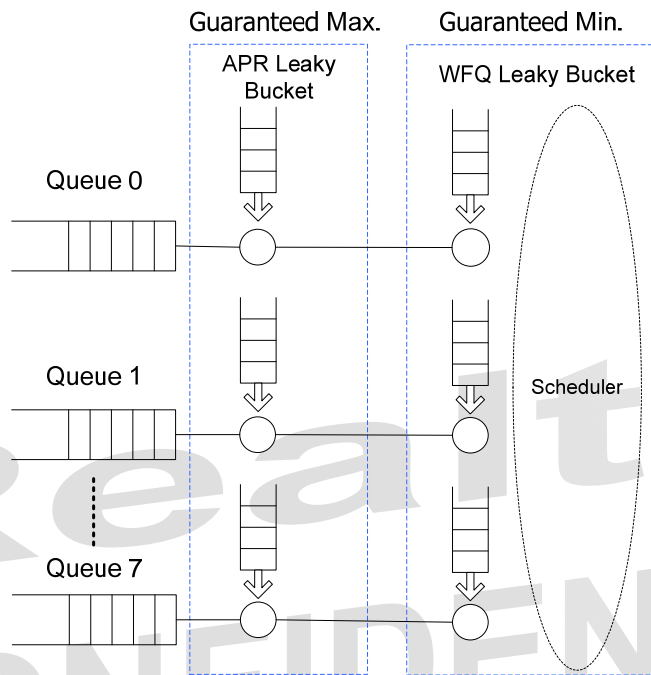
### **9.13.3. Priority Queue Scheduling**

The RTL8367S supports MAX-MIN packet scheduling.

Packet scheduling offers two modes:

- Average Packet Rate (APR) leaky bucket, which specifies the average rate of one queue
- Weighted Fair Queue (WFQ), which decides which queue is selected in one slot time to guarantee the minimal packet rate of one queue

In addition, each queue of each port can select Strict Priority or WFQ packet scheduling according to packet scheduling mode. Figure 7 shows the RTL8367S packet-scheduling diagram.



**Figure 7. RTL8367S MAX-MIN Scheduling Diagram**

### 9.13.4. IEEE 802.1p/Q and DSCP Remarking

The RTL8367S supports the IEEE 802.1p/Q and IP DSCP (Differentiated Services Code Point) remarking function. When packets egress from one of the 8 queues, the packet's 802.1p/Q priority and IP DSCP can optionally be remarked to a configured value. 802.1p/Q priority & IP DSCP value can be remarked based on internal priority or original 802.1p/Q priority & IP DSCP value in packets.

### 9.13.5. ACL-Based Priority

The RTL8367S supports 96-entry ACL (Access Control List) rules. When a packet is received, its physical port, Layer2, Layer3, and Layer4 information are recorded and compared to ACL entries.

If a received packet matches multiple entries, the entry with the lowest address is valid. If the entry is valid, the action bit and priority bit will be applied.

- If the action bit is 'Drop', the packet will be dropped. If the action bit is 'CPU', the packet will be trapped to the CPU instead of forwarded to non-CPU ports (except where it will be dropped by rules other than the ACL rule)
- If the action bit is 'Permit', ACL rules will override other rules
- If the action bit is 'Mirror', the packet will be forwarded to the mirror port and the L2 lookup result destination port. The mirror port indicates the port configured in the port mirror mechanism
- The priority bit will take effect only if the action bit is 'CPU', 'Permit', and 'Mirror'. The Priority bit is used to determine the packet queue ID according to the priority assignment mechanism

## 9.14. IGMP & MLD Snooping Function

The RTL8367S supports hardware IGMPv1/v2/v3 and MLDv1/v2 snooping with a maximum of 256 groups (maximum 255 groups per port). These multicast groups are learned and deleted/aged out automatically. For data packets of a known multicast group, the RTL8367S forwards them according to the learned group membership.

The RTL8367S checks group membership every 125 seconds (default). If a specified port of the RTL8367S does not receive a report message after 3 (default) consecutive checks, the port is removed from the multicast group. The 125 second interval and the number of consecutive checks before ageing are user configurable default values.

IPv4 multicast data packets are forwarded per group IP. IPv6 multicast data packets are forwarded per destination MAC. That is, IPv6 multicast groups that share the same destination MAC are treated as the same group. This is called address ambiguity.

Some reserved range IP addresses will always be flooded to all ports. If IGMP or MLD report message requests to join these groups, this request will be ignored silently. These reserved IP addresses could be the following IP addresses and they are configurable.

IPv4: 224.0.0.0 ~ 224.0.0.255

IPv4: 224.0.1.0 ~ 224.0.1.255

IPv4: 239.255.255.0 ~ 239.255.255.255

IPv6: 33:33:00:00:00:00 ~ 33:33:00:00:00:FF (forwarded per destination MAC)

Due to address ambiguity, some IPv6 multicast addresses that are not reserved for network protocols will be flooded, as the corresponding destination MAC address is inside the reserved IP address range (Corresponding MAC address).

The RTL8367S learns the ‘Dynamic Router Port’ automatically by monitoring Query messages (both IGMP & MLD) and multicast routing protocol packets. Table 15 gives the multicast routing protocols that the RTL8367S recognizes. PIMv1 is confirmed by the IGMP header type and the other multicast routing protocols are recognized by the destination IP in the IP header (in both IPv4 and IPv6).

**Table 15. IPv4/IPv6 Multicast Routing Protocols**

| IPv4       | IPv6    | Multicast Routing Protocol          |
|------------|---------|-------------------------------------|
| N/A        | N/A     | Check IGMP Header Type=0x14 (PIMv1) |
| 224.0.0.13 | FF02::D | PIMv2                               |
| 224.0.0.4  | FF02::4 | DVMRP                               |
| 224.0.0.5  | FF02::5 | MOSPF                               |
| 224.0.0.6  | FF02::6 | MOSPF                               |

Users can specify ‘Static Router Ports’ via API. This forces the ports to act as true router ports. All reports and Leave/Done messages will be forwarded to the specified Static Router ports.

The RTL8367S supports a ‘Fast Leave’ feature. When enabled, group membership will be removed immediately the RTL8367S receives an IGMPv2 Leave message or MLDv1 Done message. Normally this feature is only enabled when there is only one host.

The IGMP/MLD snooping feature is disabled by default. IGMP & MLD messages will be flooded to all ports without any further processing. This feature can be enabled and configured via API. Contact your Realtek support team for configuration details.

## ***9.15. IEEE 802.1x Function***

The RTL8367S supports IEEE 802.1x Port-based/MAC-based Access Control.

- Port-Based Access Control for each port
- Authorized Port-Based Access Control for each port
- Port-Based Access Control Direction for each port
- MAC-Based Access Control for each port
- MAC-Based Access Control Direction
- Optional Unauthorized Behavior
- Guest VLAN

### **9.15.1. Port-Based Access Control**

Each port of the RTL8367S can be set to 802.1x port-based authenticated checking function usage and authorized status. Ports with 802.1X unauthorized status will drop received/transmitted frames.

### **9.15.2. Authorized Port-Based Access Control**

If a dedicated port is set to 802.1x port-based access control, and passes the 802.1x authorization, then its port authorization status can be set to authorized.

### **9.15.3. Port-Based Access Control Direction**

Ports with 802.1X unauthorized status will drop received/transmitted frames only when port authorization direction is 'BOTH'. If the authorization direction of an 802.1X unauthorized port is IN, incoming frames to that port will be dropped, but outgoing frames will be transmitted.

### **9.15.4. MAC-Based Access Control**

MAC-Based Access Control provides authentication for multiple logical ports. Each logical port represents a source MAC address. There are multiple logical ports for a physical port. When a logical port or a MAC address is authenticated, the relevant source MAC address has the authorization to access the network. A frame with a source MAC address that is not authenticated by the 802.1x function will be dropped or trapped to the CPU.



### **9.15.5. MAC-Based Access Control Direction**

Unidirectional and Bi-directional control are two methods used to process frames in 802.1x. As the system cannot predict which port the DA is on, a system-wide MAC-based access control direction setup is provided for determining whether receiving or bi-direction should be authorized.

If MAC-based access control direction is BOTH, then received frames with unauthenticated SA or unauthenticated DA will be dropped. When MAC-based access control direction is IN, only received frames with unauthenticated SA will be dropped.

### **9.15.6. Optional Unauthorized Behavior**

Both in Port-Based Network Access Control and MAC-Based Access Control, a whole system control setup is provided to determine unauthorized frame dropping, trapping to CPU, or tagging as belonging to a Guest VLAN (see the following ‘Guest VLAN’ section).

### **9.15.7. Guest VLAN**

When the RTL8367S enables the Port-based or MAC-based 802.1x function, and the connected PC does not support the 802.1x function or does not pass the authentication procedure, the RTL8367S will drop all packets from this port.

The RTL8367S also supports one Guest VLAN to allow unauthorized ports or packets to be forwarded to a limited VLAN domain. The user can configure one VLAN ID and member set for these unauthorized packets.

## **9.16. IEEE 802.1D Function**

When using IEEE 802.1D, the RTL8367S supports 16 sets and four status’ for each port for CPU implementation 802.1D (STP) and 802.1s (MSTP) function:

- Disabled: The port will not transmit/receive packets, and will not perform learning
- Blocking: The port will only receive BPDU spanning tree protocol packets, but will not transmit any packets, and will not perform learning
- Learning: The port will receive any packet, including BPDU spanning tree protocol packets, and will perform learning, but will only transmit BPDU spanning tree protocol packets
- Forwarding: The port will transmit/receive all packets, and will perform learning

The RTL8367S also supports a per-port transmission/reception enable/disable function. Users can control the port state via register.

## **9.17. Embedded 8051**

An 8051 MCU is embedded in the RTL8367S to support management functions. The 8051 MCU can access all of the registers in the RTL8367S through the internal bus. With the Network Interface Circuit (NIC) acting as the data path, the 8051 MCU connects to the switch core and can transmit frames to or receive frames from the Ethernet network. The features of the 8051 MCU are listed below:

- 256 Bytes fast internal RAM
- On-chip 48K data memory
- On-chip 16K code memory
- Supports code-banking
- 12KBytes NIC buffer
- EEPROM read/write ability

### 9.18. Realtek Cable Test (RTCT)

The RTL8367S physical layer transceivers use DSP technology to implement the Realtek Cable Test (RTCT) feature. The RTCT function can be used to detect short, open, or impedance mismatch in each differential pair. The RTL8367S also provides LED support to indicate test status and results.

### 9.19. LED Indicators

The RTL8367S supports parallel LEDs for each port. Each port has two LED indicator pins, LANnLED0 and LANnLED1. Each pin may have different indicator information (defined in Table 16). Refer to section 7.4 LED Pins, page 18 for pin details. Upon reset, the RTL8367S supports chip diagnostics and LED operation test by blinking all LEDs once.

**Table 16. LED Definitions**

| LED Statuses    | Description   |
|-----------------|---|
| LED_Off         | LED Pin Output Disable.   |
| Dup/Col         | Duplex/Collision Indicator. Blinking when collision occurs. Low for full duplex, and high for half duplex mode.                 |
| Link/Act        | Link, Activity Indicator. Low for link established. Link/Act Blinking when the corresponding port is transmitting or receiving. |
| Spd1000         | 1000Mbps Speed Indicator. Low for 1000Mbps.   |
| Spd100          | 100Mbps Speed Indicator. Low for 100Mbps.   |
| Spd10           | 10Mbps Speed Indicator. Low for 10Mbps.   |
| Spd1000/Act     | 1000Mbps Speed/Activity Indicator. Low for 1000Mbps. Blinking when the corresponding port is transmitting or receiving.         |
| Spd100/Act      | 100Mbps Speed/Activity Indicator. Low for 100Mbps. Blinking when the corresponding port is transmitting or receiving.           |
| Spd10/Act       | 10Mbps Speed/Activity Indicator. Low for 10Mbps. Blinking when the corresponding port is transmitting or receiving.             |
| Spd100 (10)/Act | 10/100Mbps Speed/Activity Indicator. Low for 10/100Mbps. Blinking when the corresponding port is transmitting or receiving.     |
| Act             | Activity Indicator. Act blinking when the corresponding port is transmitting or receiving.                                      |

The LED pin also supports pin strapping configuration functions. The LANnLED0 and LANnLED1 pins are dual-function pins: input operation for configuration upon reset, and output operation for LED after



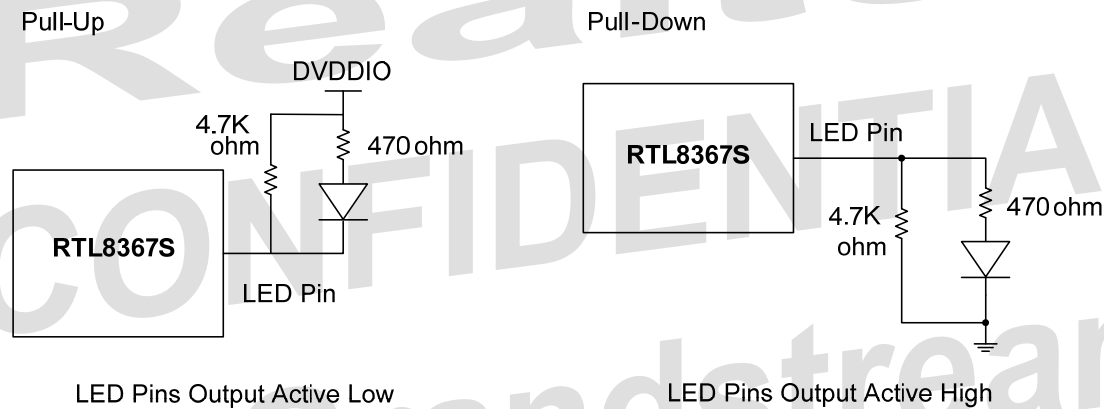
reset. When the pin input is pulled high upon reset, the pin output is active low after reset. When the pin input is pulled down upon reset, the pin output is active high after reset. For details refer to Figure 8, page 40, and Figure 9, page 40. Typical values for pull-up/pull-down resistors are 4.7K $\Omega$ .

The LANnLED1 can be combined with LANnLED0 as a Bi-color LED.

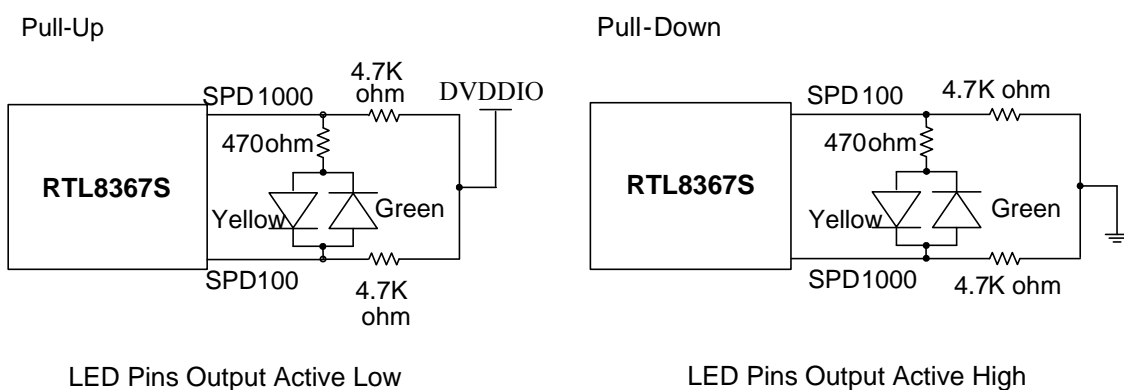
LED LANnLED1 should operate with the same polarity as other Bi-color LED pins. For example:

- LAN0LED1 should be pulled up upon reset if LAN0LED1 is combined with LAN0LED0 as a Bi-color LED, and LAN0LED0 input is pulled high upon reset. In this configuration, the output of these pins is active low after reset
- LAN0LED1 should be pulled down upon reset if LAN0LED1 is combined with LAN0LED0 as a Bi-color LED, and LAN0LED0 input is pulled down upon reset. In this configuration, the output of these pins is active high after reset

Upon reset, the RTL8367S supports chip diagnostics and LED functions by blinking all LEDs once. This function can be disabled by asserting EN\_PWRLIGHT to 0b0 (pull down).



**Figure 8. Pull-Up and Pull-Down of LED Pins for Single-Color LED**



**Figure 9. Pull-Up and Pull-Down of LED Pins for Bi-Color LED**

## ***9.20. Green Ethernet***

### **9.20.1. Link-On and Cable Length Power Saving**

The RTL8367S provides link-on and dynamic detection of cable length and dynamic adjustment of power required for the detected cable length. This feature provides high performance with minimum power consumption.

### **9.20.2. Link-Down Power Saving**

The RTL8367S implements link-down power saving on a per-port basis, greatly cutting power consumption when the network cable is disconnected. After it detects an incoming signal, it wakes up from link-down power saving and operates in normal mode.

## ***9.21. IEEE 802.3az Energy Efficient Ethernet (EEE) Function***

The RTL8367S supports IEEE 802.3az Energy Efficient Ethernet ability for 1000Base-T and 100Base-TX in full duplex operation.

The Energy Efficient Ethernet (EEE) optional operational mode combines the IEEE 802.3 Media Access Control (MAC) sub-layer with 100Base-TX and 1000Base-T Physical Layers defined to support operation in Low Power Idle mode. When Low Power Idle mode is enabled, systems on both sides of the link can disable portions of the functionality and save power during periods of low link utilization.

- 1000Base-T PHY: Supports Energy Efficient Ethernet with the optional function of Low Power Idle
- 100Base-TX PHY: Supports Energy Efficient Ethernet with the optional function of Low Power Idle

The RTL8367S MAC uses Low Power Idle signaling to indicate to the PHY, and to the link partner, that a break in the data stream is expected, and components may use this information to enter power saving modes that require additional time to resume normal operation. Similarly, it informs the LPI Client that the link partner has sent such an indication.

## ***9.22. Interrupt Pin for External CPU***

The RTL8367S provides one Interrupt output pin to interrupt an external CPU. The polarity of the Interrupt output pin can be configured via register access. In configuration registers, each port has link-up and link-down interrupt flags with mask.

When port link-up or link-down interrupt mask is enabled, the RTL8367S will raise the interrupt signal to alarm the external CPU. The CPU can read the interrupt flag to determine which port has changed to which status.

## 10. Interface Descriptions

### 10.1. EEPROM SMI Host to EEPROM

The EEPROM interface of the RTL8367S uses the serial bus EEPROM Serial Management Interface (SMI) to read the EEPROM space up to 256K-bits. When the RTL8367S is powered up, it drives SCK and SDA to read the registers from the EEPROM.

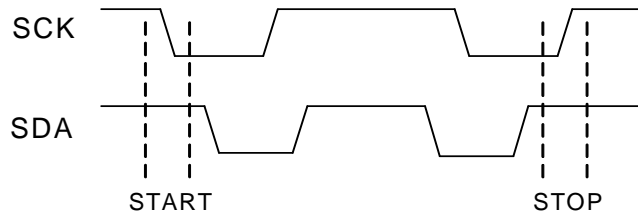


Figure 10. SMI Start and Stop Command

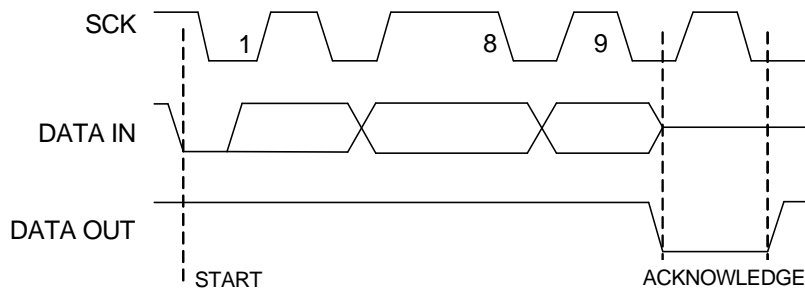


Figure 11. EEPROM SMI Host to EEPROM

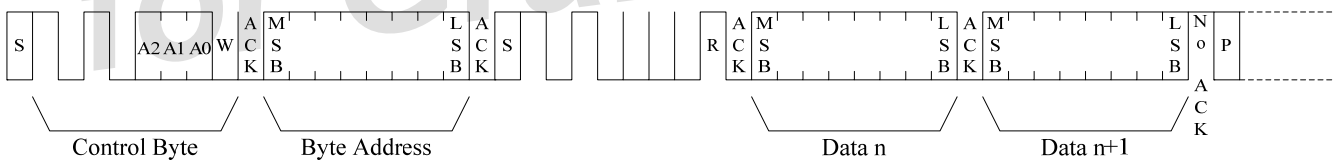


Figure 12. EEPROM SMI Host Mode Frame



### 10.3. General Purpose Interface

The RTL8367S supports one digital extension interface. The interface function mux is summarized in d Table 17. The Extension GMAC2 of the RTL8367S supports RGMII, MII MAC mode, or MII PHY mode via register configuration.

**Table 17. RTL8367S Extension Port 2 Pin Definitions**

| Pin No. | Extension Interface | Type | RGMII     | MII MAC Mode | MII PHY Mode |
|---------|---------------------|------|-----------|--------------|--------------|
| 45      | E2_DO3              | O    | RG2_TXD3  | M2M_TXD3     | M2P_RXD3     |
| 46      | E2_DO2              | O    | RG2_TXD2  | M2M_TXD2     | M2P_RXD2     |
| 47      | E2_DO1              | O    | RG2_TXD1  | M2M_TXD1     | M2P_RXD1     |
| 48      | E2_DO0              | O    | RG2_TXD0  | M2M_TXD0     | M2P_RXD0     |
| 49      | E2_DOEN             | O    | RG2_TXCTL | M2M_TXEN     | M2P_RXDV     |
| 50      | E2_DOCLK            | O    | RG2_TXCLK | M2M_TXCLK    | M2P_RXCLK    |
| 51      | E2_DICLK            | I    | RG2_RXCLK | M2M_RXCLK    | M2P_TXCLK    |
| 52      | E2_DIDV             | I    | RG2_RXCTL | M2M_RXDV     | M2P_TXEN     |
| 53      | E2_DI0              | I    | RG2_RXD0  | M2M_RXD0     | M2P_TXD0     |
| 54      | E2_DI1              | I    | RG2_RXD1  | M2M_RXD1     | M2P_TXD1     |
| 55      | E2_DI2              | I    | RG2_RXD2  | M2M_RXD2     | M2P_TXD2     |
| 56      | E2_DI3              | I    | RG2_RXD3  | M2M_RXD3     | M2P_TXD3     |

CONFIDENTIAL

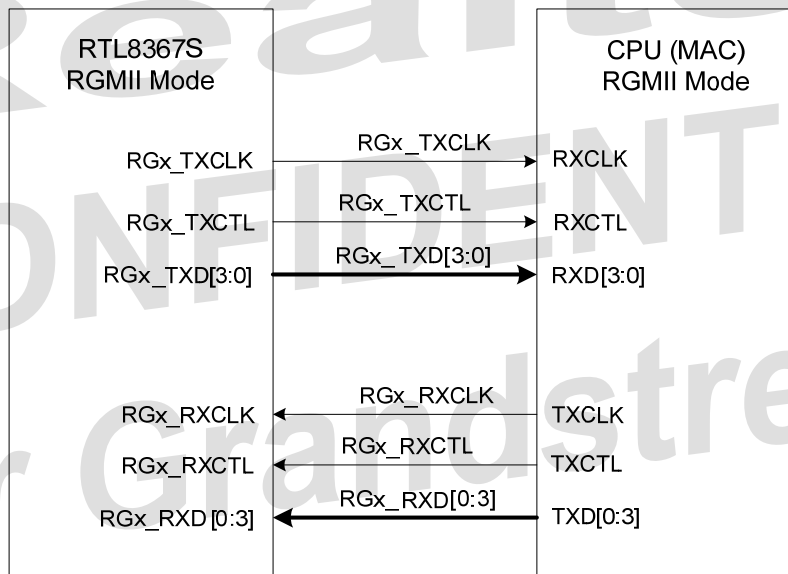
for Grandstream

### 10.3.1. Extension Ports RGMII Mode Interface (1Gbps)

The Extension GMAC2 of the RTL8367S supports RGMII interface to an external CPU. The pin numbers and names are shown in Table 18. Figure 15 shows the signal diagram for Extension GMAC2 in RGMII interface.

**Table 18. Extension GMAC2 RGMII Pins**

| RTL8367S Pin No. | Type | Extension Port 2 RGMII |
|------------------|------|------------------------|
| 45, 46, 47, 48   | O    | RG2_TXD[3:0]           |
| 49               | O    | RG2_TXCTL              |
| 50               | O    | RG2_TXCLK              |
| 51               | I    | RG2_RXCLK              |
| 52               | I    | RG2_RXCTL              |
| 53, 54, 55, 56   | I    | RG2_RXD[0:3]           |



**Figure 15. RGMII Mode Interface Signal Diagram**

### 10.3.2. Extension Ports MII MAC/PHY Mode Interface (10/100Mbps)

The Extension GMAC2 of the RTL8367S supports MII MAC/PHY mode interfaces to an external CPU. The pin numbers and names are shown in Table 19. Figure 16 shows the signal diagram for Extension GMAC2 in MII PHY mode interface, and Figure 17 shows the signal diagram for Extension GMAC2 in MII MAC mode interface.

**Table 19. Extension GMAC2 MII Pins**

| RTL8367S Pin No. | Type | Extension GMAC 2 MII MAC Mode | Type | Extension GMAC 2 MII PHY Mode |
|------------------|------|-------------------------------|------|-------------------------------|
| 45, 46, 47, 48   | O    | M2M_TXD[3:0]                  | O    | M2P_RXD[3:0]                  |
| 49               | O    | M2M_TXEN                      | O    | M2P_RXDV                      |
| 50               | I    | M2M_TXCLK                     | O    | M2P_RXCLK                     |

| RTL8367S<br>Pin No. | Type | Extension GMAC 2<br>MII MAC Mode | Type | Extension GMAC 2<br>MII PHY Mode |
|---------------------|------|----------------------------------|------|----------------------------------|
| 51                  | I    | M2M_RXCLK                        | O    | M2P_TXCLK                        |
| 52                  | I    | M2M_RXDV                         | I    | M2P_TXEN                         |
| 53, 54, 55, 56      | I    | M2M_RXD[0:3]                     | I    | M2P_TXD[0:3]                     |

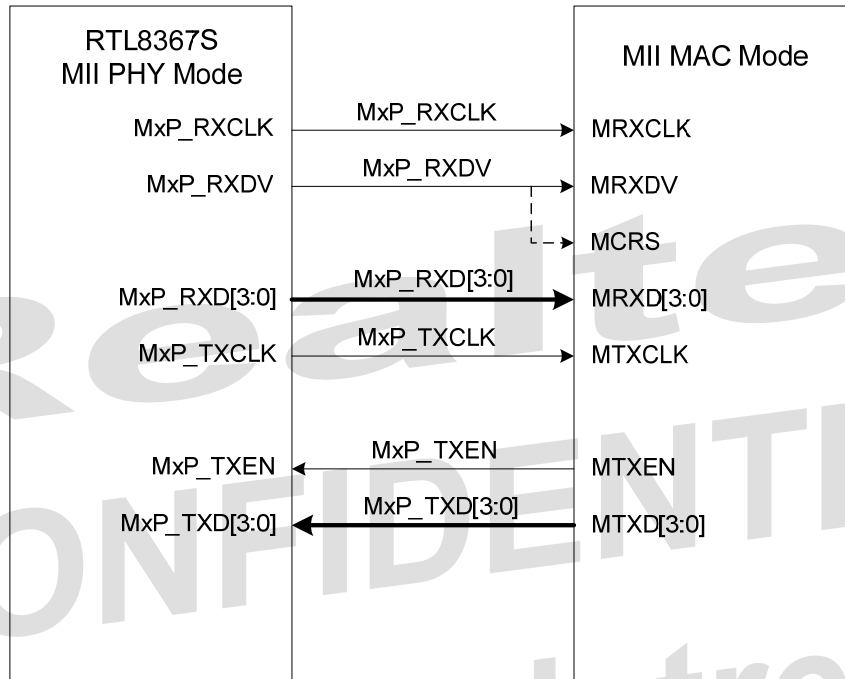
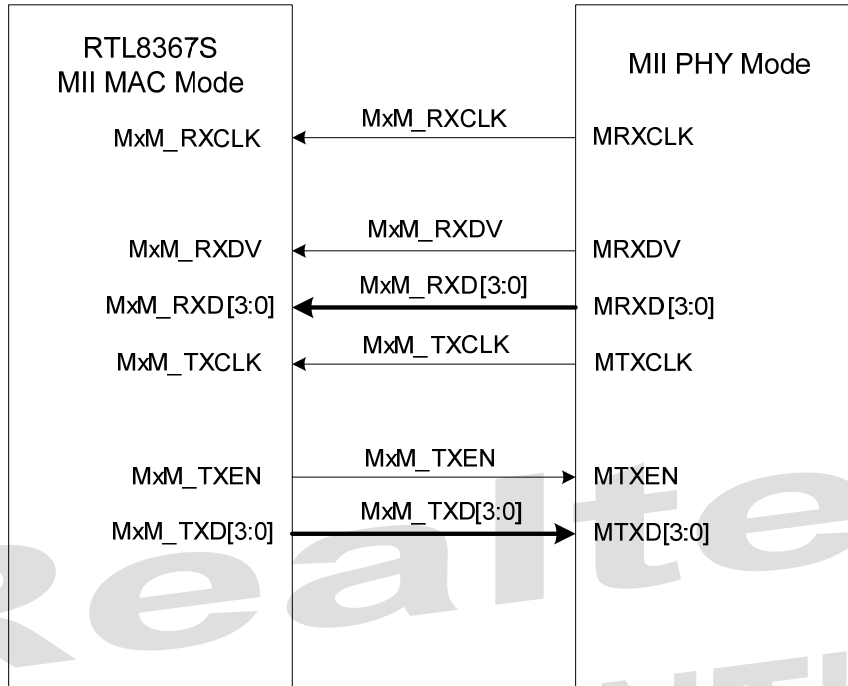


Figure 16. Signal Diagram of MII PHY Mode Interface (100Mbps)



**Figure 17. Signal Diagram of MII MAC Mode Interface (100Mbps)**

Realtek  
CONFIDENTIAL  
for Grandstream



## 11. Register Descriptions

In this section the following abbreviations are used:

RO: Read Only

LH: Latch High until clear

RW: Read/Write

SC: Self Clearing

LL: Latch Low until clear

### 11.1. PCS Register (PHY 0~4)

**Table 20. PCS Register (PHY 0~4)**

| Register | Register Description                             | Default |
|----------|--|---------|
| 0        | Control Register                                 | 0x1140  |
| 1        | Status Register                                  | 0x7949  |
| 2        | PHY Identifier 1                                 | 0x001C  |
| 3        | PHY Identifier 2                                 | 0xC980  |
| 4        | Auto-Negotiation Advertisement Register          | 0x0DE1  |
| 5        | Auto-Negotiation Link Partner Ability Register   | 0x0000  |
| 6        | Auto-Negotiation Expansion Register              | 0x0004  |
| 7        | Auto-Negotiation Page Transmit Register          | 0x2001  |
| 8        | Auto-Negotiation Link Partner Next Page Register | 0x0000  |
| 9        | 1000Base-T Control Register                      | 0x0E00  |
| 10       | 1000Base-T Status Register                       | 0x0000  |
| 11~14    | Reserved   | 0x0000  |
| 15       | Extended Status                                  | 0x2000  |
| 16~31    | ASIC Control Register                            | -       |

## 11.2. Register 0: Control

**Table 21. Register 0: Control**

| Reg.bit | Name                              | Mode  | Description   | Default |
|---------|-----------------------------------|-------|---|---------|
| 0.15    | Reset                             | RW/SC | 1: PHY reset<br>0: Normal operation<br>This bit is self-clearing.   | 0       |
| 0.14    | Loopback<br>(Digital<br>Loopback) | RW    | 1: Enable loopback. This will loopback TXD to RXD and ignore all activity on the cable media<br>0: Normal operation<br>This function is usable only when this PHY is operated in 10Base-T full duplex, 100Base-TX full duplex, or 1000Base-T full duplex.                 | 0       |
| 0.13    | Speed Selection[0]                | RW    | [0.6, 0.13] Speed Selection[1:0]<br>11: Reserved<br>10: 1000Mbps<br>01: 100Mbps<br>00: 10Mbps<br>This bit can be set through SMI (Read/Write).  | 0       |
| 0.12    | Auto Negotiation<br>Enable        | RW    | 1: Enable auto-negotiation process<br>0: Disable auto-negotiation process<br>This bit can be set through SMI (Read/Write).  | 1       |
| 0.11    | Power Down                        | RW    | 1: Power down. All functions will be disabled except SMI function<br>0: Normal operation  | 0       |
| 0.10    | Isolate                           | RW    | 1: Electrically isolates the PHY from GMII. The PHY is still able to respond to SMI<br>0: Normal operation  | 0       |
| 0.9     | Restart Auto<br>Negotiation       | RW/SC | 1: Restart Auto-Negotiation process<br>0: Normal operation  | 0       |
| 0.8     | Duplex Mode                       | RW    | 1: Full duplex operation<br>0: Half duplex operation<br>This bit can be set through SMI (Read/Write).   | 1       |
| 0.7     | Collision Test                    | RO    | 1: Collision test enabled<br>0: Normal operation<br>When set, this bit will cause the COL signal to be asserted in response to the assertion of TXEN within 512-bit times. The COL signal will be de-asserted within 4-bit times in response to the de-assertion of TXEN. | 0       |
| 0.6     | Speed Selection[1]                | RW    | See bit 13  | 1       |
| 0.[5:0] | Reserved                          | RO    | Reserved  | 000000  |

### 11.3. Register 1: Status

**Table 22. Register 1: Status**

| Reg.bit | Name                     | Mode  | Description   | Default |
|---------|--------------------------|-------|---|---------|
| 1.15    | 100Base-T4               | RO    | 0: No 100Base-T4 capability<br>The RTL8367S does not support 100Base-T4 mode and this bit should always be 0.   | 0       |
| 1.14    | 100Base-TX-FD            | RO    | 1: 100Base-TX full duplex capable<br>0: Not 100Base-TX full duplex capable  | 1       |
| 1.13    | 100Base-TX-HD            | RO    | 1: 100Base-TX half duplex capable<br>0: Not 100Base-TX half duplex capable  | 1       |
| 1.12    | 10Base-T-FD              | RO    | 1: 10Base-T full duplex capable<br>0: Not 10Base-T full duplex capable  | 1       |
| 1.11    | 10Base-T-HD              | RO    | 1: 10Base-T half duplex capable<br>0: Not 10Base-T half duplex capable  | 1       |
| 1.10    | 100Base-T2-FD            | RO    | 0: Not 100Base-T2 full duplex capable<br>The RTL8367S does not support 100Base-T2 mode and this bit should always be 0.   | 0       |
| 1.9     | 100Base-T2-HD            | RO    | 0: Not 100Base-T2 half duplex capable<br>The RTL8367S does not support 100Base-T2 mode and this bit should always be 0.   | 0       |
| 1.8     | Extended Status          | RO    | 1: Extended status information in Register 15<br>The RTL8367S always supports Extended Status Register.   | 1       |
| 1.7     | Reserved                 | RO    | Reserved  | 0       |
| 1.6     | MF Preamble Suppression  | RO    | The RTL8367S will accept management frames with preamble suppressed.  | 1       |
| 1.5     | Auto-negotiate Complete  | RO    | 1: Auto-negotiation process completed<br>0: Auto-negotiation process not completed  | 0       |
| 1.4     | Remote Fault             | RO/LH | 1: Remote fault condition detected<br>0: No remote fault detected<br>This bit will remain set until it is cleared by reading register 1 via the management interface.   | 0       |
| 1.3     | Auto-Negotiation Ability | RO    | 1: Auto-negotiation capable (permanently =1)  | 1       |
| 1.2     | Link Status              | RO/LL | 1: Link is established. If the link fails, this bit will be 0 until after reading this bit again<br>0: Link has failed since previous read<br>If the link fails, this bit will be set to 0 until bit is read. | 0       |
| 1.1     | Jabber Detect            | RO/LH | 1: Jabber detected<br>0: No Jabber detected<br>Jabber is supported only in 10Base-T mode.   | 0       |
| 1.0     | Extended Capability      | RO    | 1: Extended register capable (permanently =1)   | 1       |

## 11.4. Register 2: PHY Identifier 1

The PHY Identifier Registers #1 and #2 together form a unique identifier for the PHY section of this device. The Identifier consists of a concatenation of the Organizationally Unique Identifier (OUI), the vendor's model number, and the model revision number. A PHY may return a value of zero in each of the 32 bits of the PHY Identifier if desired. The PHY Identifier is intended to support network management.

**Table 23. Register 2: PHY Identifier 1**

| Reg.bit  | Name | Mode | Description   | Default |
|----------|------|------|---|---------|
| 2.[15:0] | OUI  | RO   | Composed of the 3 <sup>rd</sup> to 18 <sup>th</sup> bits of the Organizationally Unique Identifier (OUI), respectively. | 0x001C  |

## 11.5. Register 3: PHY Identifier 2

**Table 24. Register 3: PHY Identifier 2**

| Reg.bit   | Name            | Mode | Description   | Default |
|-----------|-----------------|------|---|---------|
| 3.[15:10] | OUI             | RO   | Assigned to the 19 <sup>th</sup> through 24 <sup>th</sup> bits of the OUI | 110010  |
| 3.[9:4]   | Model Number    | RO   | Manufacturer's model number   | 011000  |
| 3.[3:0]   | Revision Number | RO   | Manufacturer's revision number  | 0000    |

## 11.6. Register 4: Auto-Negotiation Advertisement

This register contains the advertisement abilities of this device as they will be transmitted to its Link Partner during Auto-negotiation.

*Note: Each time the link ability of the RTL8367S is reconfigured, the auto-negotiation process should be executed to allow the configuration to take effect.*

**Table 25. Register 4: Auto-Negotiation Advertisement**

| Reg.bit | Name          | Mode | Description  | Default |
|---------|---------------|------|--|---------|
| 4.15    | Next Page     | RO   | 1: Additional next pages exchange desired<br>0: No additional next pages exchange desired    | 0       |
| 4.14    | Acknowledge   | RO   | Permanently=0  | 0       |
| 4.13    | Remote Fault  | RW   | 1: Advertises that the RTL8367S has detected a remote fault<br>0: No remote fault detected   | 0       |
| 4.12    | Reserved      | RO   | Reserved   | 0       |
| 4.11    | Reserved      | RW   | Reserved   | 0       |
| 4.10    | Pause         | RW   | 1: Advertises that the RTL8367S has flow control capability<br>0: No flow control capability | 1       |
| 4.9     | 100Base-T4    | RO   | 1: 100Base-T4 capable<br>0: Not 100Base-T4 capable (Permanently =0)                          | 0       |
| 4.8     | 100Base-TX-FD | RW   | 1: 100Base-TX full duplex capable<br>0: Not 100Base-TX full duplex capable                   | 1       |
| 4.7     | 100Base-TX    | RW   | 1: 100Base-TX half duplex capable<br>0: Not 100Base-TX half duplex capable                   | 1       |

| Reg.bit | Name           | Mode | Description  | Default |
|---------|----------------|------|--|---------|
| 4.6     | 10Base-T-FD    | RW   | 1: 10Base-T full duplex capable<br>0: Not 10Base-T full duplex capable | 1       |
| 4.5     | 10Base-T       | RW   | 1: 10Base-T half duplex capable<br>0: Not 10Base-T half duplex capable | 1       |
| 4.[4:0] | Selector Field | RO   | [00001]=IEEE 802.3   | 00001   |

Note 1: The setting of Register 4 has no effect unless auto-negotiation is restarted or the link goes down.

Note 2: If 1000Base-T is advertised, then the required next pages are automatically transmitted.

## 11.7. Register 5: Auto-Negotiation Link Partner Ability

This register contains the advertised abilities of the Link Partner as received during Auto-negotiation. The content changes after a successful Auto-negotiation.

**Table 26. Register 5: Auto-Negotiation Link Partner Ability**

| Reg.bit | Name             | Mode | Description   | Default |
|---------|------------------|------|---|---------|
| 5.15    | Next Page        | RO   | 1: Link partner desires Next Page transfer<br>0: Link partner does not desire Next Page transfer  | 0       |
| 5.14    | Acknowledge      | RO   | 1: Link Partner acknowledges reception of Fast Link Pulse (FLP) words<br>0: Not acknowledged by Link Partner  | 0       |
| 5.13    | Remote Fault     | RO   | 1: Remote Fault indicated by Link Partner<br>0: No remote fault indicated by Link Partner   | 0       |
| 5.12    | Reserved         | RO   | Reserved  | 0       |
| 5.11    | Asymmetric Pause | RO   | 1: Asymmetric Flow control supported by Link Partner<br>0: No Asymmetric flow control supported by Link Partner<br>When auto-negotiation is enabled, this bit reflects Link Partner ability | 0       |
| 5.10    | Pause            | RO   | 1: Flow control supported by Link Partner.<br>0: No flow control supported by Link Partner<br>When auto-negotiation is enabled, this bit reflects Link Partner ability                      | 0       |
| 5.9     | 100Base-T4       | RO   | 1: 100Base-T4 supported by Link Partner<br>0: 100Base-T4 not supported by Link Partner  | 0       |
| 5.8     | 100Base-TX-FD    | RO   | 1: 100Base-TX full duplex supported by Link Partner<br>0: 100Base-TX full duplex not supported by Link Partner  | 0       |
| 5.7     | 100Base-TX       | RO   | 1: 100Base-TX half duplex supported by Link Partner<br>0: 100Base-TX half duplex not supported by Link Partner  | 0       |
| 5.6     | 10Base-T-FD      | RO   | 1: 10Base-T full duplex supported by Link Partner<br>0: 10Base-T full duplex not supported by Link Partner  | 0       |
| 5.5     | 10Base-T         | RO   | 1: 10Base-T half duplex supported by Link Partner<br>0: 10Base-T half duplex not supported by Link Partner  | 0       |
| 5.[4:0] | Selector Field   | RO   | [00001]=IEEE 802.3  | 00000   |

## 11.8. Register 6: Auto-Negotiation Expansion

**Table 27. Register 6: Auto-Negotiation Expansion**

| Reg.bit  | Name                                  | Mode      | Description   | Default |
|----------|---------------------------------------|-----------|---|---------|
| 6.[15:5] | Reserved                              | RO        | Ignore on read  | 0       |
| 6.4      | Parallel Detection Fault              | RO/<br>LH | 1: A fault has been detected via the Parallel Detection function<br>0: No fault has been detected via the Parallel Detection function       | 0       |
| 6.3      | Link Partner Next Page Ability        | RO        | 1: Link Partner is Next Page able<br>0: Link Partner is not Next Page able  | 0       |
| 6.2      | Local Next Page Ability               | RO        | Not supported. Permanently =0   | 1       |
| 6.1      | Page Received                         | RO/<br>LH | 1: A New Page has been received<br>0: A New Page has not been received  | 0       |
| 6.0      | Link Partner Auto-Negotiation Ability | RO        | If Auto-Negotiation is enabled, this bit means:<br>1: Link Partner is Auto-Negotiation able<br>0: Link Partner is not Auto-Negotiation able | 0       |

## 11.9. Register 7: Auto-Negotiation Page Transmit Register

**Table 28. Register 7: Auto-Negotiation Page Transmit Register**

| Reg.bit  | Name                          | Mode | Description   | Default |
|----------|-------------------------------|------|---|---------|
| 7.15     | Next Page                     | RW   | 1: Link partner desires Next Page transfer<br>0: Link partner does not desire Next Page transfer  | 0       |
| 7.14     | Reserved                      | RO   | 1: A fault has been detected via the Parallel Detection function<br>0: No fault has been detected via the Parallel Detection function     | 0       |
| 7.13     | Message Page                  | RW   | 1: Message page<br>0: No Message page ability   | 1       |
| 7.12     | Acknowledge 2                 | RW   | 1: Local device has the ability to comply with the message received<br>0: Local device has no ability to comply with the message received | 0       |
| 7.11     | Toggle                        | RO   | Toggle bit  | 0       |
| 7.[10:0] | Message/<br>Unformatted Field | RW   | Content of message/unformatted page   | 1       |

## 11.10. Register 8: Auto-Negotiation Link Partner Next Page Register

**Table 29. Register 8: Auto-Negotiation Link Partner Next Page Register**

| Reg.bit  | Name                          | Mode | Description                      | Default |
|----------|-------------------------------|------|----------------------------------|---------|
| 8.15     | Next Page                     | RO   | Received Link Code Word Bit 15   | 0       |
| 8.14     | Acknowledge                   | RO   | Received Link Code Word Bit 14   | 0       |
| 8.13     | Message Page                  | RO   | Received Link Code Word Bit 13   | 0       |
| 8.12     | Acknowledge 2                 | RO   | Received Link Code Word Bit 12   | 0       |
| 8.11     | Toggle                        | RO   | Received Link Code Word Bit 11   | 0       |
| 8.[10:0] | Message/<br>Unformatted Field | RO   | Received Link Code Word Bit 10:0 | 0       |

## 11.11. Register 9: 1000Base-T Control Register

**Table 30. Register 9: 1000Base-T Control Register**

| Reg.bit   | Name   | Mode | Description  | Default |
|-----------|--|------|--|---------|
| 9.[15:13] | Test Mode                                      | RW   | Test Mode Select.<br>000: Normal mode<br>001: Test mode 1 – Transmit waveform test<br>010: Test mode 2 – Transmit jitter test in MASTER mode<br>011: Test mode 3 – Transmit jitter test in SLAVE mode<br>100: Test mode 4 – Transmitter distortion test<br>101, 110, 111: Reserved | 000     |
| 9.12      | MASTER/SLAVE<br>Manual Configuration<br>Enable | RW   | 1: Enable MASTER/SLAVE manual configuration<br>0: Disable MASTER/SLAVE manual configuration  | 0       |
| 9.11      | MASTER/SLAVE<br>Configuration Value            | RW   | 1: Configure PHY as MASTER during MASTER/SLAVE negotiation, only when bit 9.12 is set to logical one<br>0: Configure PHY as SLAVE during MASTER/SLAVE negotiation, only when bit 9.12 is set to logical one  | 1       |
| 9.10      | Port Type                                      | RW   | 1: Multi-port device<br>0: Single-port device  | 1       |
| 9.9       | 1000Base-T Full Duplex                         | RW   | 1: Advertise PHY is 1000Base-T full duplex capable<br>0: Advertise PHY is not 1000Base-T full duplex capable   | 1       |
| 9.8       | 1000Base-T Half Duplex                         | RW   | 1: Advertise PHY is 1000Base-T half duplex capable<br>0: Advertise PHY is not 1000Base-T half duplex capable   | 0       |
| 9.[7:0]   | Reserved                                       | RW   | Reserved   | 0       |



## 11.12. Register 10: 1000Base-T Status Register

**Table 31. Register 10: 1000Base-T Status Register**

| Reg.bit  | Name                                  | Mode     | Description  | Default |
|----------|---------------------------------------|----------|--|---------|
| 10.15    | MASTER/SLAVE Configuration Fault      | RO/LH/SC | 1: MASTER/SLAVE configuration fault detected<br>0: No MASTER/SLAVE configuration fault detected                  | 0       |
| 10.14    | MASTER/SLAVE Configuration Resolution | RO       | 1: Local PHY configuration resolved to MASTER<br>0: Local PHY configuration resolved to SLAVE                    | 0       |
| 10.13    | Local Receiver Status                 | RO       | 1: Local receiver OK<br>0: Local receiver not OK   | 0       |
| 10.12    | Remote Receiver Status                | RO       | 1: Remote receiver OK<br>0: Remote receiver not OK   | 0       |
| 10.11    | Link Partner 1000Base-T Full Duplex   | RO       | 1: Link partner is capable of 1000Base-T full duplex<br>0: Link partner is not capable of 1000Base-T full duplex | 0       |
| 10.10    | 1000Base-T Half Duplex                | RO       | 1: Link partner is capable of 1000Base-T half duplex<br>0: Link partner is not capable of 1000Base-T half duplex | 0       |
| 10.[9:8] | Reserved                              | RO       | Reserved   | 0       |
| 10.[7:0] | Idle Error Count                      | RO/SC    | Idle Error Counter.<br>The counter stops automatically when it reaches 0xFF                                      | 0       |

## 11.13. Register 15: Extended Status

**Table 32. Register 15: Extended Status**

| Reg.bit   | Name                   | Mode | Description  | Default |
|-----------|------------------------|------|--|---------|
| 15.15     | 1000Base-X Full Duplex | RO   | 1: 1000Base-X full duplex capable<br>0: Not 1000Base-X full duplex capable | 0       |
| 15.14     | 1000Base-X Half Duplex | RO   | 1: 1000Base-X half duplex capable<br>0: Not 1000Base-X half duplex capable | 0       |
| 15.13     | 1000Base-T Full Duplex | RO   | 1: 1000Base-T full duplex capable<br>0: Not 1000Base-T full duplex capable | 1       |
| 15.12     | 1000Base-T Half Duplex | RO   | 1: 1000Base-T half duplex capable<br>0: Not 1000Base-T half duplex capable | 0       |
| 15.[11:0] | Reserved               | RO   | Reserved   | 0       |



## 12. Electrical Characteristics

### 12.1. Absolute Maximum Ratings

WARNING: Absolute maximum ratings are limits beyond which permanent damage may be caused to the device, or device reliability will be affected. All voltages are specified reference to GND unless otherwise specified.

**Table 33. Absolute Maximum Ratings**

| Parameter   | Min     | Max       | Units |
|---|---------|-----------|-------|
| Junction Temperature (Tj)   | -       | +125      | °C    |
| Storage Temperature   | -45     | +125      | °C    |
| DVDDIO, DVDDIO_2, AVDDH, SVDDH, HV_SWR, Supply Referenced to GND, SGND, AGND, and GND_SWR | GND-0.3 | +3.63     | V     |
| DVDDL, AVDDL, SVDDL, PLLVDDL, Supply Referenced to GND, AGND, SGND, and PLLGND.           | GND-0.3 | +1.21     | V     |
| Digital Input Voltage   | GND-0.3 | VDDIO+0.3 | V     |

### 12.2. Recommended Operating Range

**Table 34. Recommended Operating Range**

| Parameter   | Min   | Typical | Max   | Units |   |
|---|-------|---------|-------|-------|---|
| Ambient Operating Temperature (Ta)                | 0     | -       | 70    | °C    |   |
| AVDDH, SVDDH and HV_SWR Supply Voltage Range      | 3.135 | 3.3     | 3.465 | V     |   |
| DVDDIO Supply Voltage Range                       | 3.3V  | 3.135   | 3.3   | 3.465 | V |
|   | 2.5V  | 2.375   | 2.5   | 2.625 | V |
| DVDDIO_2 Supply Voltage Range                     | 3.3V  | 3.135   | 3.3   | 3.465 | V |
|   | 2.5V  | 2.375   | 2.5   | 2.625 | V |
| DVDDL, AVDDL, SVDDL, PLLVDDL Supply Voltage Range | 1.045 | 1.1     | 1.155 | V     |   |

## 12.3. Thermal Characteristics

### 12.3.1. Assembly Description

**Table 35. Assembly Description**

|                |                        |   |
|----------------|------------------------|---|
| <b>Package</b> | Type                   | LQFP-128  |
|                | Dimension              | 14mm×14mm   |
|                | Thickness              | 1.4mm   |
| <b>PCB</b>     | PCB Dimension          | 100mm×89mm  |
|                | PCB Thickness          | 1.6mm   |
|                | Number of Cu Layer-PCB | 2-Layer:<br>- Top layer (1oz): 40% coverage of Cu<br>- Bottom layer (1oz): 95% coverage of Cu<br>4-Layer:<br>- 1st layer (1oz): 40% coverage of Cu<br>- 2nd layer (1oz): 95% coverage of Cu<br>- 3rd layer (1oz): 95% coverage of Cu<br>- 4th layer (1oz): 95% coverage of Cu |

### 12.3.2. Material Properties

**Table 36. Material Properties**

| Item    |                  | Material  | Thermal Conductivity K (W/m-K) |
|---------|------------------|-----------|--------------------------------|
| Package | Die              | Silicon   | 149 at 25°C<br>107 at 125°C    |
|         | Lead Frame       | C7025     | 172                            |
|         | Epoxy            | CRM-1076W | 0.9                            |
|         | Molding Compound | EME-G631H | 0.9                            |
| PCB     |                  | Copper    | 389                            |
|         |                  | FR-4      | 0.3                            |

### 12.3.3. Simulation Conditions

**Table 37. Simulation Conditions**

|                          |                     |
|--------------------------|---------------------|
| <b>Power Dissipation</b> | 1.765W              |
| <b>Test Board (PCB)</b>  | 2L (2S) / 4L (2S2P) |
| <b>Control Condition</b> | Air Flow = 0 m/s    |

### 12.3.4. Thermal Performance of LQFP-128 on PCB Under Still Air Convection

**Table 38. Thermal Performance of LQFP-128 on PCB Under Still Air Convection**

|        | $\theta_{JA}$ | $\theta_{JB}$ | $\theta_{JC}$ | $\Psi_{JB}$ |
|--------|---------------|---------------|---------------|-------------|
| 2L PCB | 50.08         | 24.52         | 10.39         | 21.69       |
| 4L PCB | 45.01         | 25.16         | 10.35         | 22.33       |

Note:

$\theta_{JA}$ : Junction to ambient thermal resistance

$\theta_{JB}$ : Junction to board thermal resistance

$\theta_{JC}$ : Junction to case thermal resistance

$\Psi_{JB}$ : Junction to bottom surface center of PCB thermal characterization

Realtek  
 CONFIDENTIAL  
 for Grandstream

## 12.4. DC Characteristics

**Table 39. DC Characteristics**

| Parameter  | SYM                                | Min  | Typical | Max | Units |
|--|------------------------------------|------|---------|-----|-------|
| Power Supply Current for RGMII1 DVDDIO_2 (2.5V)<br>(For General Purpose Interface) | $I_{DVDDIO\_2}$                    | -    | 31      | -   | mA    |
| <b>System Idle (All UTP Port Link Down, without Extension Ports and LEDs)</b>      |                                    |      |         |     |       |
| Power Supply Current for VDDH  | $I_{DVDDIO}, I_{AVDDH}$            | -    | 17      | -   | mA    |
| Power Supply Current for VDDL  | $I_{DVDDL}, I_{AVDDL}, I_{PLLVDL}$ | -    | 110     | -   | mA    |
| <b>1000M Active (All UTP Ports Link/Active, without Extension Ports and LEDs)</b>  |                                    |      |         |     |       |
| Power Supply Current for VDDH  | $I_{DVDDIO}, I_{AVDDH}$            | -    | 221     | -   | mA    |
| Power Supply Current for VDDL  | $I_{DVDDL}, I_{AVDDL}, I_{PLLVDL}$ | -    | 710     | -   | mA    |
| <b>VDDIO=3.3V</b>  |                                    |      |         |     |       |
| TTL Input High Voltage   | $V_{ih}$                           | 2.0  | -       | -   | V     |
| TTL Input Low Voltage  | $V_{il}$                           | -    | -       | 0.7 | V     |
| Output High Voltage  | $V_{oh}$                           | 2.7  | -       | -   | V     |
| Output Low Voltage   | $V_{ol}$                           | -    | -       | 0.6 | V     |
| <b>VDDIO=2.5V</b>  |                                    |      |         |     |       |
| TTL Input High Voltage   | $V_{ih}$                           | 1.7  | -       | -   | V     |
| TTL Input Low Voltage  | $V_{il}$                           | -    | -       | 0.6 | V     |
| Output High Voltage  | $V_{oh}$                           | 2.25 | -       | -   | V     |
| Output Low Voltage   | $V_{ol}$                           | -    | -       | 0.4 | V     |

Note:  $I_{SVDDL}$ ,  $I_{SVDDH}$ , and  $I_{DVDDIO\_2}$  should be added to the total current consumption when the dual extension ports of the RTL8367S are used.

## 12.5. AC Characteristics

### 12.5.1. EEPROM SMI Host Mode Timing Characteristics

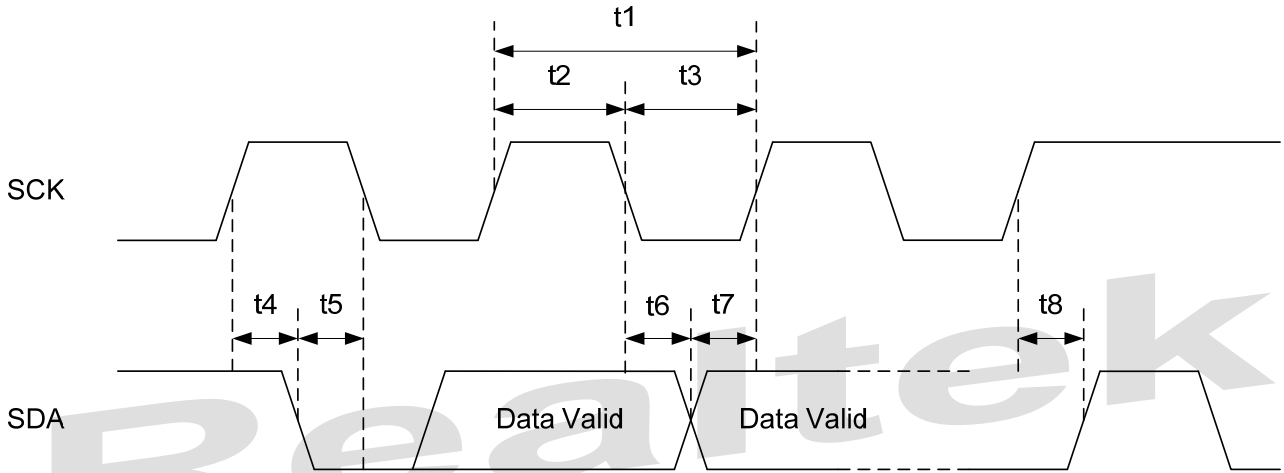


Figure 18. EEPROM SMI Host Mode Timing Characteristics

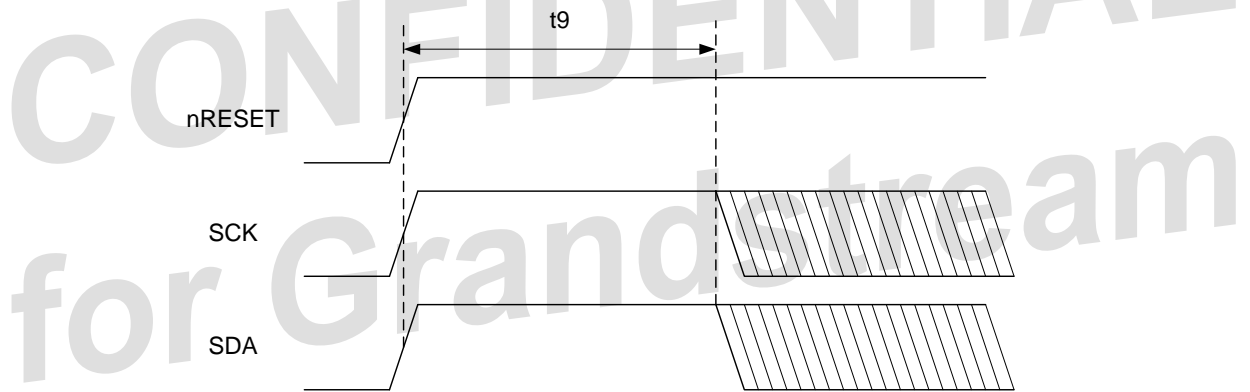


Figure 19. SCK/SDA Power on Timing

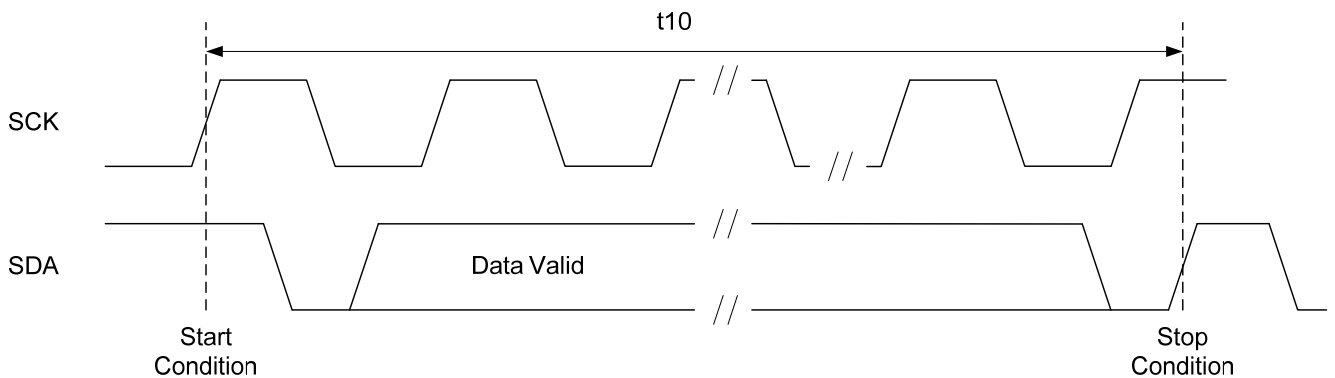
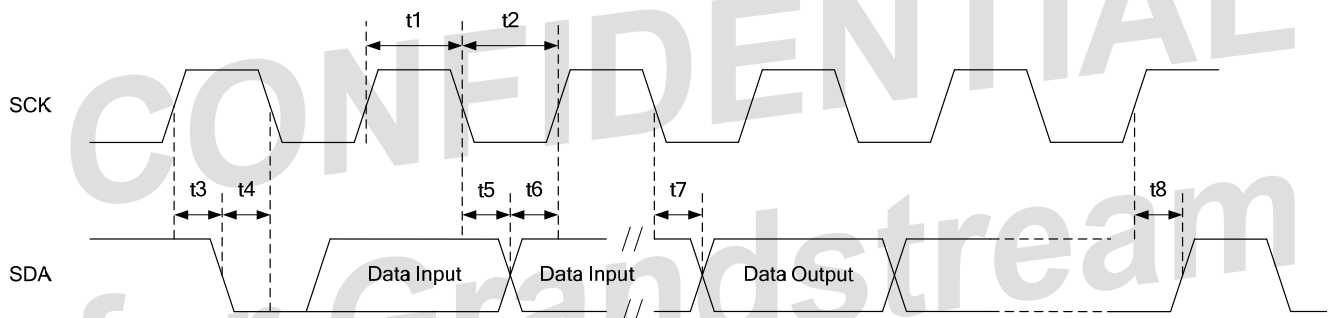


Figure 20. EEPROM Auto-Load Timing

**Table 40. EEPROM SMI Host Mode Timing Characteristics**

| Symbol | Description                     | Type | Min   | Typical | Max   | Units |
|--------|---------------------------------|------|-------|---------|-------|-------|
| t1     | SCK Clock Period                | O    | 9.7   | 10      | -     | μs    |
| t2     | SCK High Time                   | O    | 4.2   | 5       | -     | μs    |
| t3     | SCK Low Time                    | O    | 4.2   | 5       | -     | μs    |
| t4     | START Condition Setup Time      | O    | 4.8   | 5.04    | -     | μs    |
| t5     | START Condition Hold Time       | O    | 4.8   | 4.96    | -     | μs    |
| t6     | Data Hold Time                  | O    | 2.2   | 2.52    | -     | μs    |
| t7     | Data Setup Time                 | O    | 2.2   | 2.48    | -     | μs    |
| t8     | STOP Condition Setup Time       | O    | 4.4   | 5.04    | -     | μs    |
| t9     | SCK/SDA Active from Reset Ready | O    | 75    | 78.4    | -     | ms    |
| t10    | 8K-Bits EEPROM Auto-Load Time   | O    | 250   | 278     | -     | ms    |
| -      | SCK Rise Time (10% to 90%)      | O    | -     | 320     | -     | ns    |
| -      | SCK Fall Time (90% to 10%)      | O    | -     | 320     | -     | ns    |
| -      | Duty Cycle                      | O    | 48.86 | 50      | 51.14 | %     |

### 12.5.2. EEPROM SMI Slave Mode Timing Characteristics


**Figure 21. EEPROM SMI Slave Mode Timing Characteristics**
**Table 41. EEPROM SMI Slave Mode Timing Characteristics**

| Symbol | Description                | Type | Min  | Typical | Max | Units |
|--------|----------------------------|------|------|---------|-----|-------|
| t1     | SCK High Time              | I    | 0.25 | -       | -   | μs    |
| t2     | SCK Low Time               | I    | 0.25 | -       | -   | μs    |
| t3     | START Condition Setup Time | I    | 0.15 | -       | -   | μs    |
| t4     | START Condition Hold Time  | I    | 0.15 | -       | -   | μs    |
| t5     | Data Hold Time             | I    | 0.15 | -       | -   | μs    |
| t6     | Data Setup Time            | I    | 150  | -       | -   | ns    |
| t7     | Clock to Data Output Delay | O    | -    | 100     | -   | ns    |
| t8     | STOP Condition Setup Time  | I    | 0.15 | -       | -   | μs    |

### 12.5.3. MDIO Slave Mode Timing Characteristics

The RTL8367S supports MDIO (MMD) slave mode. The Master (CPU) can access the Slave (RTL8367S) registers via the MDIO interface. The MDIO is a bi-directional signal that can be sourced by the Master or the Slave. In a write command, the master sources the MDIO signal. In a read command, the slave sources the MDIO signal.

- The timing characteristics  $t_1$ ,  $t_2$ , and  $t_3$  (Table 42) of the Master (the RTL8367S link partner CPU) are provided by the Master when the Master sources the MDIO signal (Write command)
- The timing characteristic  $t_4$  (Table 42) of the Slave (RTL8367S) are provided by the RTL8367S when the RTL8367S sources the MDIO signal (Read command)

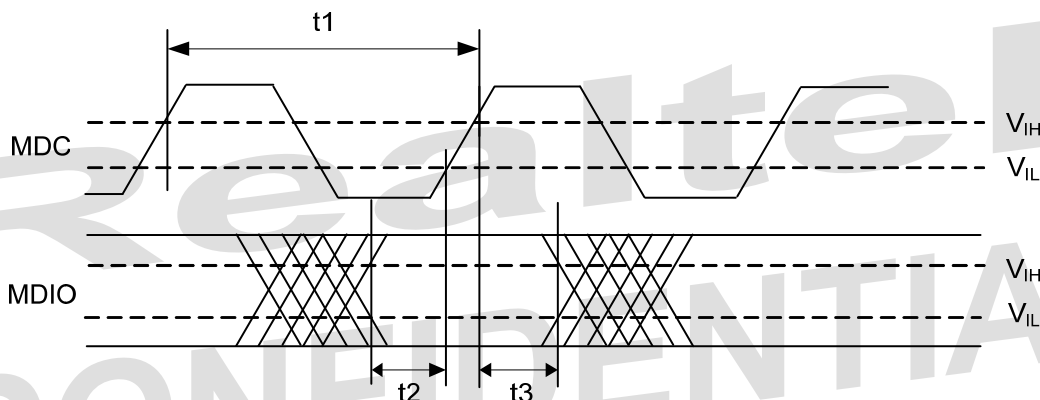


Figure 22. MDIO Sourced by Master

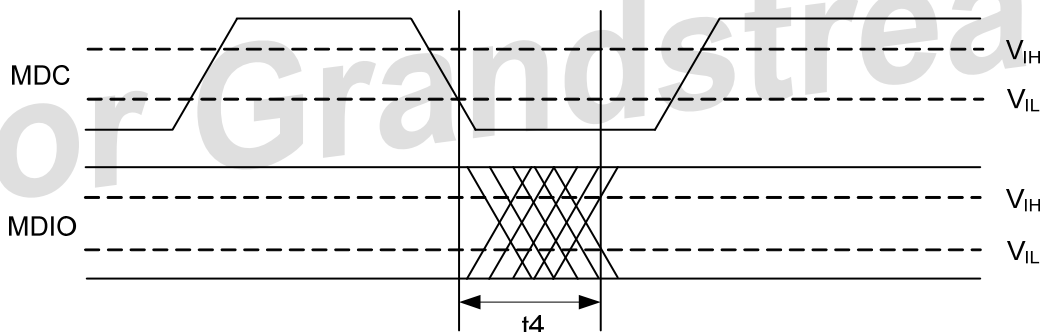


Figure 23. MDIO Sourced by RTL8367S (Slave)

Table 42. MDIO Timing Characteristics and Requirement

| Parameter                                  | SYM   | Description/Condition                   | Type | Min | Typical | Max | Units |
|--|-------|---|------|-----|---------|-----|-------|
| MDC Clock Period                           | $t_1$ | Clock Period                            | I    | 125 | -       | -   | ns    |
| MDIO to MDC Rising Setup Time (Write Data) | $t_2$ | Input Setup Time                        | I    | 25  | -       | -   | ns    |
| MDIO to MDC Rising Hold Time (Write Data)  | $t_3$ | Input Hold Time                         | I    | 25  | -       | -   | ns    |
| MDC to MDIO Delay Time (Read Data)         | $t_4$ | Clock (Falling Edge) to Data Delay Time | O    | 0   | 2.8     | 40  | ns    |

### 12.5.4. MII MAC Mode Timing

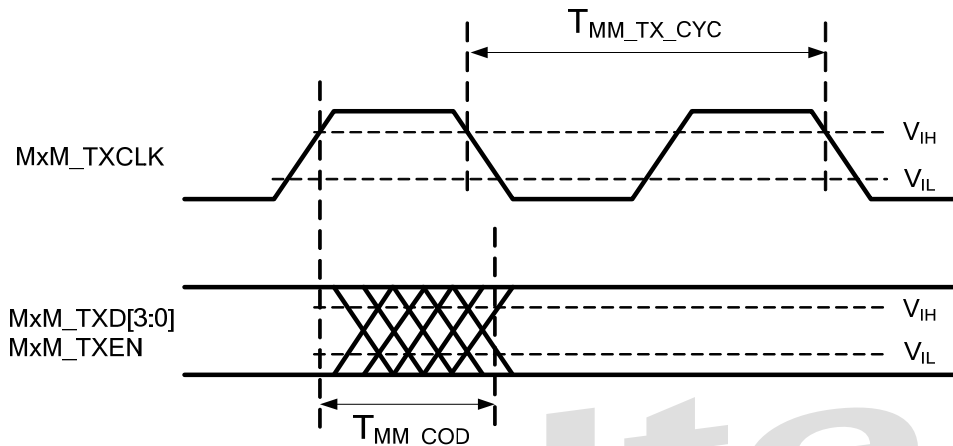


Figure 24. MII MAC Mode Clock to Data Output Delay Timing

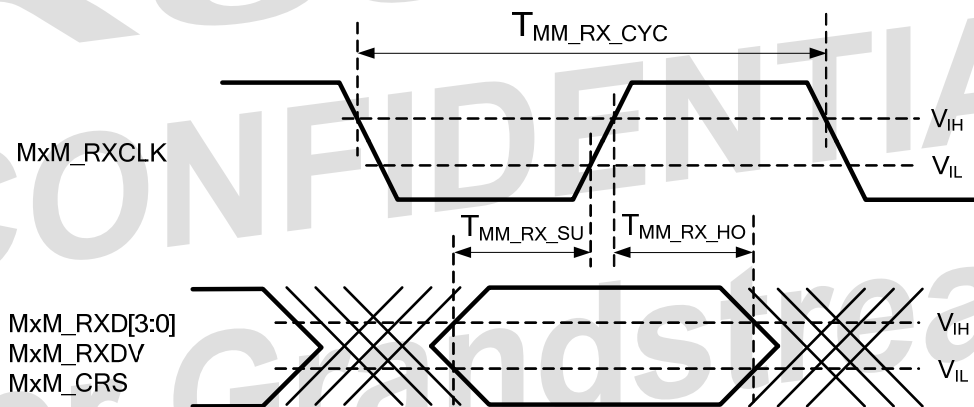


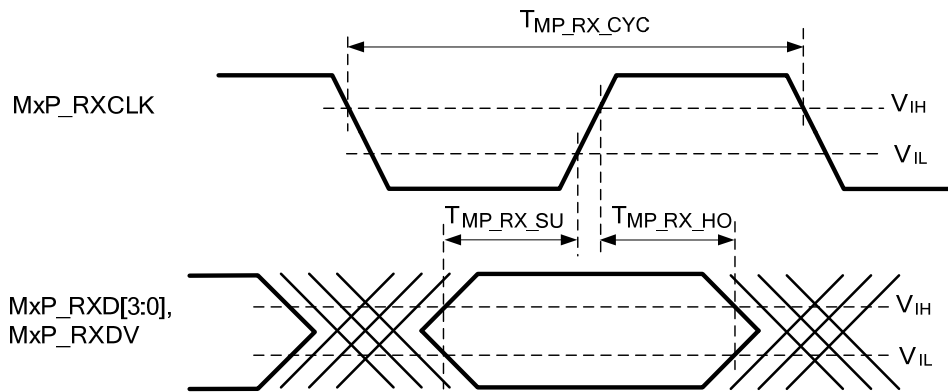
Figure 25. MII MAC Mode Input Timing

Table 43. MII MAC Mode Timing

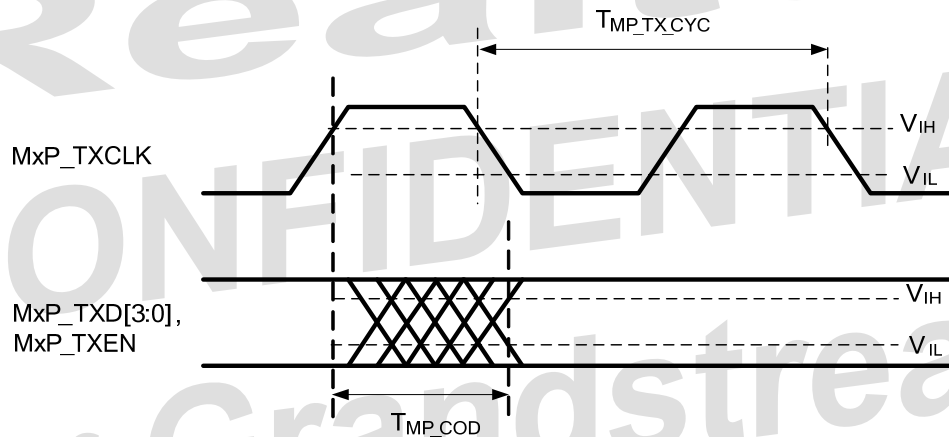
| Parameter  | SYM               | Description/Condition | Type | Min | Typical | Max | Units |
|--|-------------------|-----------------------|------|-----|---------|-----|-------|
| 100Base-TX MxM_TXCLK and MxM_RXCLK Input Cycle Time      | $T_{MM\_TX\_CYC}$ | 25MHz Clock Input.    | I    | -   | 40      | -   | ns    |
|  | $T_{MM\_RX\_CYC}$ |                       |      |     |         |     |       |
| 10Base-T MxM_TXCLK and MxM_RXCLK Input Cycle Time        | $T_{MM\_TX\_CYC}$ | 2.5MHz Clock Input.   | I    | -   | 400     | -   | ns    |
|  | $T_{MM\_RX\_CYC}$ |                       |      |     |         |     |       |
| MxM_TXCLK to MxM_TXD[3:0] and MxM_TXEN Output Delay Time | $T_{MM\_COD}$     | -                     | O    | 3   | 5       | 7   | ns    |
| MxM_RXD[3:0], MxM_RXDV, and MxM_CRS Input Setup Time     | $T_{MM\_RX\_SU}$  | -                     | I    | 10  | -       | -   | ns    |
| MxM_RXD[3:0], MxM_RXDV, and MxM_CRS Input Hold Time      | $T_{MM\_RX\_HO}$  | -                     | I    | 10  | -       | -   | ns    |



### 12.5.5. MII PHY Mode Timing



**Figure 26. MII PHY Mode Output Timing**

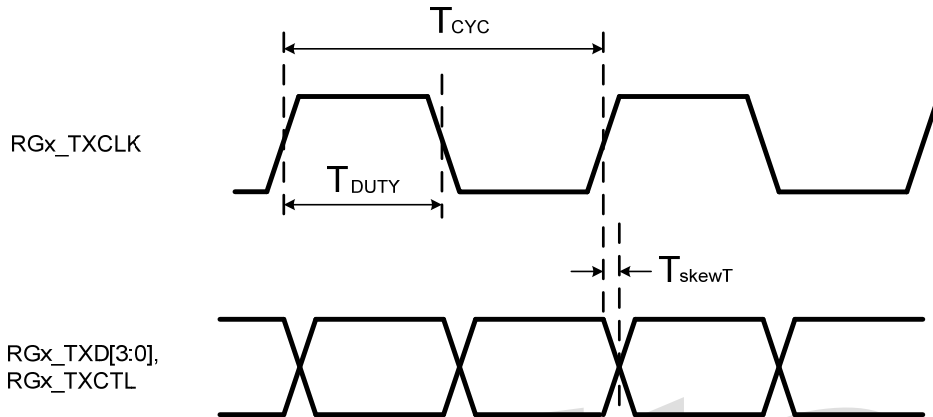


**Figure 27. MII PHY Mode Clock Output to Data Input Delay Timing**

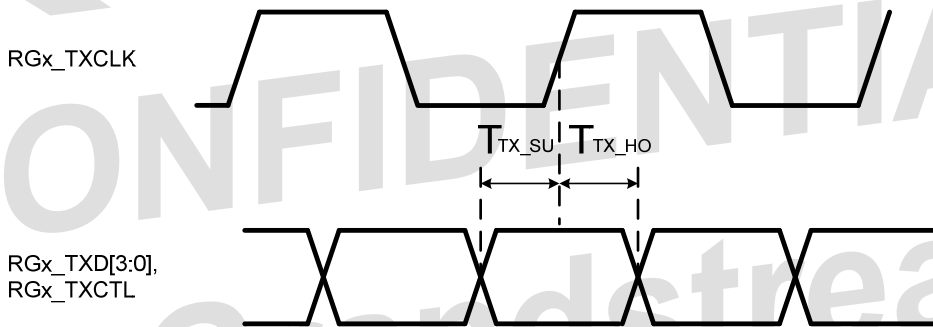
**Table 44. MII PHY Mode Timing Characteristics**

| Parameter   | SYM                                    | Description/Condition | Type | Min | Typical | Max | Units |
|---|--|-----------------------|------|-----|---------|-----|-------|
| 100M MxP_RXCLK and MxP_TXCLK Output Cycle Time                            | $T_{MP\_RX\_CYC}$<br>$T_{MP\_TX\_CYC}$ | 25MHz Clock Output.   | O    | -   | 40      | -   | ns    |
| 10M MxP_RXCLK and MxP_TXCLK Output Cycle Time                             | $T_{MP\_RX\_CYC}$<br>$T_{MP\_TX\_CYC}$ | 2.5MHz Clock Output.  | O    | -   | 400     | -   | ns    |
| 100M MxP_RXD[3:0] and MxP_RXDV to MxP_RXCLK Output Setup Time             | $T_{MP\_RX\_SU}$                       | -                     | O    | 14  | 18      | -   | ns    |
| 100M MxP_RXD[3:0] and MxP_RXDV to MxP_RXCLK Output Hold Time              | $T_{MP\_RX\_HO}$                       | -                     | O    | 16  | 19.5    | -   | ns    |
| 100M MxP_TXCLK Clock Output to MxP_TXD[3:0] and MxP_TXEN Input Delay Time | $T_{MP\_COD}$                          | -                     | I    | 0   | -       | 25  | ns    |

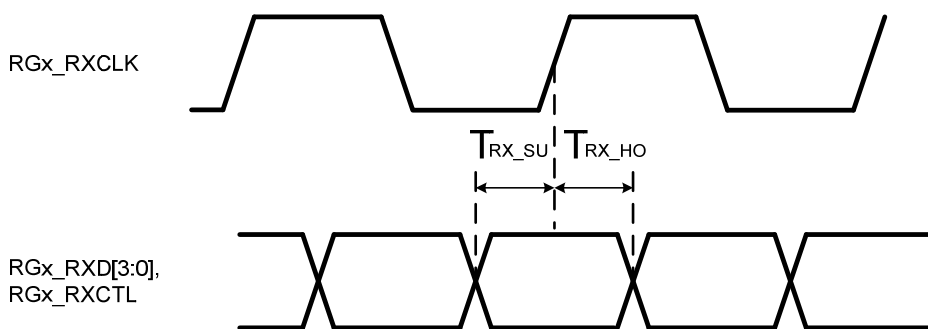
### 12.5.6. RGMII Timing Characteristics



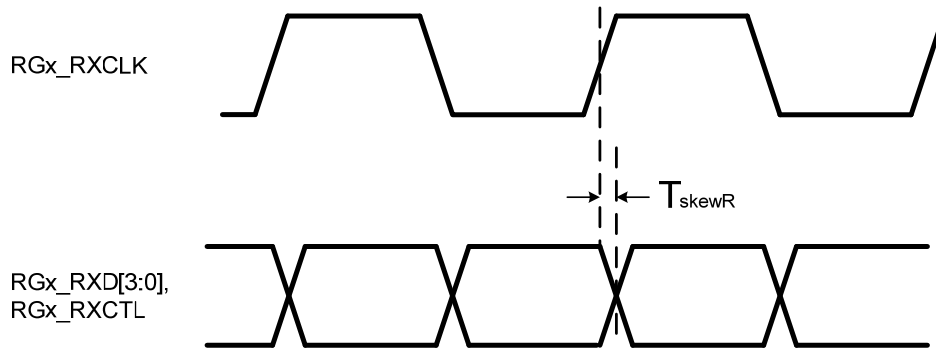
**Figure 28. RGMII Output Timing Characteristics (RGx\_TXCLK\_DELAY=0)**



**Figure 29. RGMII Output Timing Characteristics (RGx\_TXCLK\_DELAY=2ns)**



**Figure 30. RGMII Input Timing Characteristics (RGx\_RXCLK\_DELAY=0)**

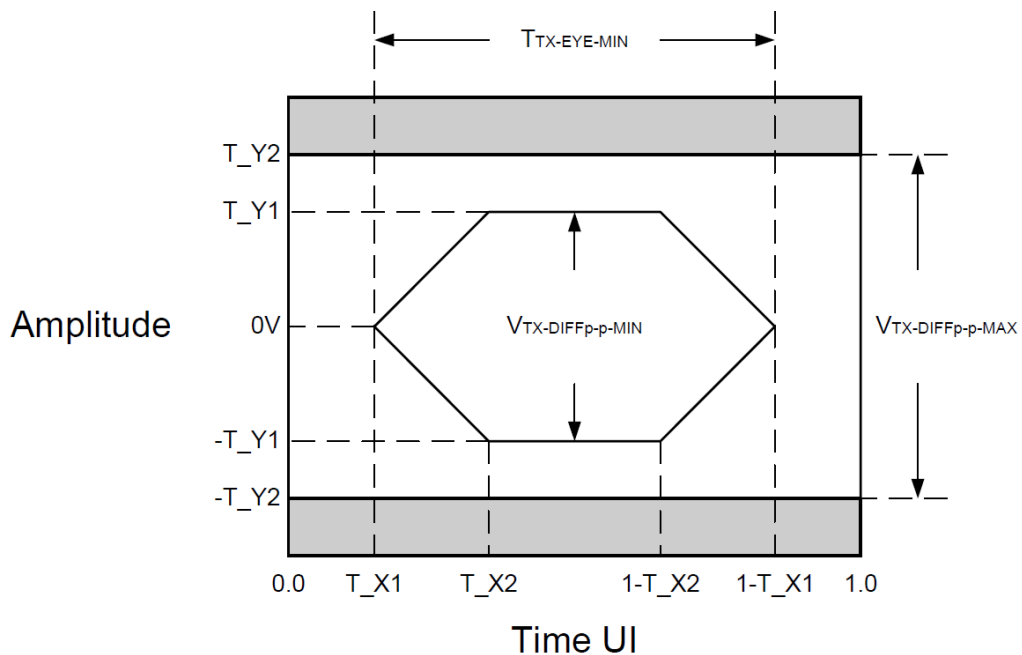

**Figure 31. RGMII Input Timing Characteristics (RGx\_RXCLK\_DELAY=2ns)**
**Table 45. RGMII Timing Characteristics**

| Parameter   | SYM                 | Description/Condition   | Type | Min  | Typical | Max | Units |
|---|---------------------|---|------|------|---------|-----|-------|
| 1000M RGx_TXCLKc Output Cycle Time                        | T <sub>TX_CYC</sub> | 125MHz Clock Output. Refer to Figure 28, page 65.                             | O    | 7.6  | 8       | 8.6 | ns    |
| 100M RGx_TXCLK Output Cycle Time                          | T <sub>TX_CYC</sub> | 25MHz Clock Output. Refer to Figure 28, page 65.                              | O    | 38   | 40      | 42  | ns    |
| 10M RGx_TXCLK Output Cycle Time                           | T <sub>TX_CYC</sub> | 2.5MHz Clock Output. Refer to Figure 28, page 65.                             | O    | 380  | 400     | 420 | ns    |
| RGx_TXD[3:0] and RGx_TXCTL to RGx_TXCLK Output Skew       | T <sub>skewT</sub>  | Disable Output Clock Delay. (RGx_TXCLK_DELAY=0). Refer to Figure 28, page 65. | O    | -500 |         | 500 | ps    |
| RGx_TXD[3:0] and RGx_TXCTL to RGx_TXCLK Output Setup Time | T <sub>TX_SU</sub>  | Enable Output Clock Delay. (RGx_TXCLK_DELAY=1). Refer to Figure 29, page 65.  | O    | 1.2  |         | -   | ns    |
| RGx_TXD[3:0] and RGx_TXCTL to RGx_TXCLK Output Hold Time  | T <sub>TX_HO</sub>  | Enable Output Clock Delay. (RGx_TXCLK_DELAY=1). Refer to Figure 29, page 65.  | O    | 1.2  |         | -   | ns    |
| RGx_RXD[3:0] and RGx_RXCTL to RGx_RXCLK Input Setup Time  | T <sub>RX_SU</sub>  | Disable Input Clock Delay. (RGx_RXCLK_DELAY=0). Refer to Figure 30, page 65.  | I    | 1.0  | -       | -   | ns    |
| RGx_RXD[3:0] and RGx_RXCTL to RGx_RXCLK Input Hold Time   | T <sub>RX_HO</sub>  | Disable Input Clock Delay. (RGx_RXCLK_DELAY=0). Refer to Figure 30, page 65.  | I    | 1.0  | -       | -   | ns    |
| RGx_RXD[3:0] and RGx_RXCTL to RGx_RXCLK Input Skew        | T <sub>skewR</sub>  | Enable Input Clock Delay. (RGx_RXCLK_DELAY=1). Refer to Figure 31, page 66.   | I    | -600 | -       | 600 | ps    |

### 12.5.7. HSGMII Characteristics

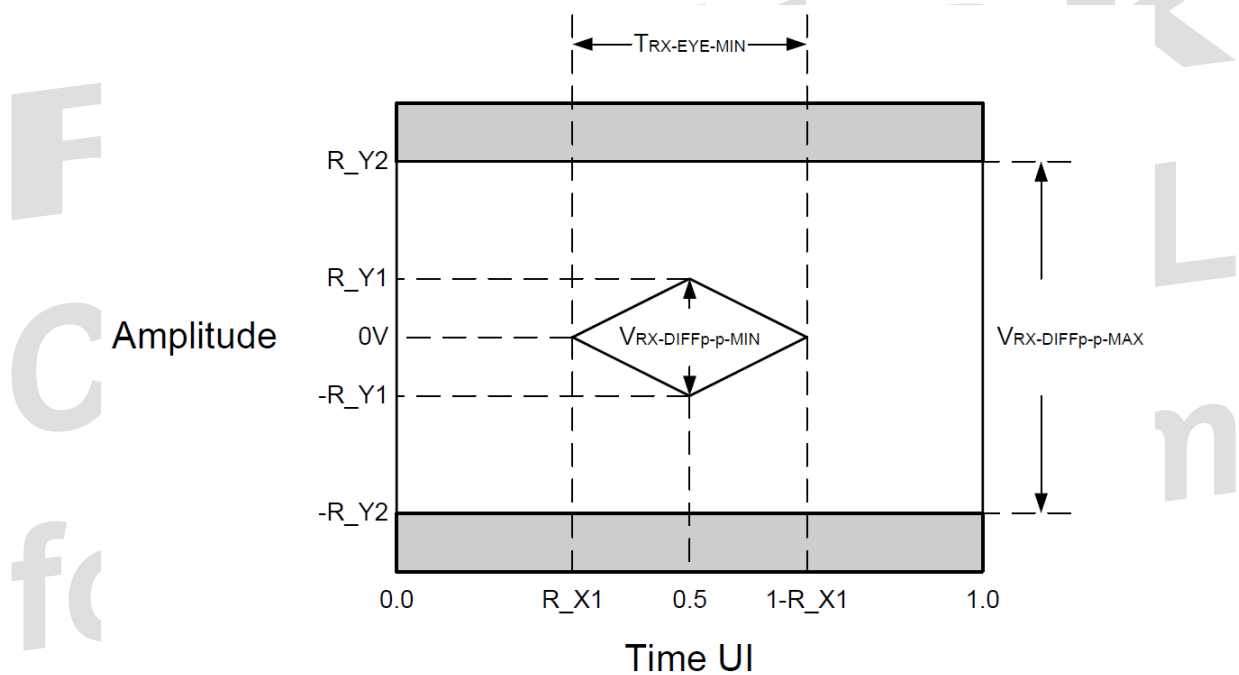
**Table 46. HSGMII Differential Transmitter Characteristics**

| Parameter                   | SYM                     | Min                    | Typ | Max     | Units | Notes          |   |
|-----------------------------|-------------------------|------------------------|-----|---------|-------|----------------|---|
| Unit Interval               | UI                      | 319.968                | 320 | 320.032 | ps    | 320ps ± 100ppm |   |
| Eye Mask                    | T_X1                    | -                      | -   | 0.175   | UI    | -              |   |
| Eye Mask                    | T_X2                    | -                      | -   | 0.39    | UI    | -              |   |
| Eye Mask                    | T_Y1                    | 400                    | -   | -       | mV    | -              |   |
| Eye Mask                    | T_Y2                    | -                      | -   | 800     | mV    | -              |   |
| Output Differential Voltage | V <sub>TX-DIFFp-p</sub> | 500                    | 700 | 1000    | mV    | -              |   |
| Output Jitter               | TJ                      | T <sub>TX-JITTER</sub> | -   | -       | 0.3   | UI             | T <sub>TX-JITTER-MAX</sub> = 1 - T <sub>TX-EYE-MIN</sub> = 0.30UI |
|                             | DJ                      |                        | -   | -       | 0.165 | UI             |   |
| Minimum TX Eye Width        | T <sub>TX-EYE</sub>     | 0.65                   | -   | -       | UI    | -              |   |
| Output Rise Time            | T <sub>TX-RISE</sub>    | 0.125                  | -   | -       | UI    | 20% ~ 80%      |   |
| Output Fall Time            | T <sub>TX-FALL</sub>    | 0.125                  | -   | -       | UI    | 20% ~ 80%      |   |
| Differential Resistance     | R <sub>TX</sub>         | 80                     | 100 | 120     | ohm   | -              |   |
| AC Coupling Capacitor       | C <sub>TX</sub>         | 80                     | 100 | 120     | nF    | -              |   |
| Transmit Length in PCB      | L <sub>TX</sub>         | -                      | -   | 10      | inch  | -              |   |


**Figure 32. HSGMII Differential Transmitter Eye Diagram**

**Table 47. HSGMII Differential Receiver Characteristics**

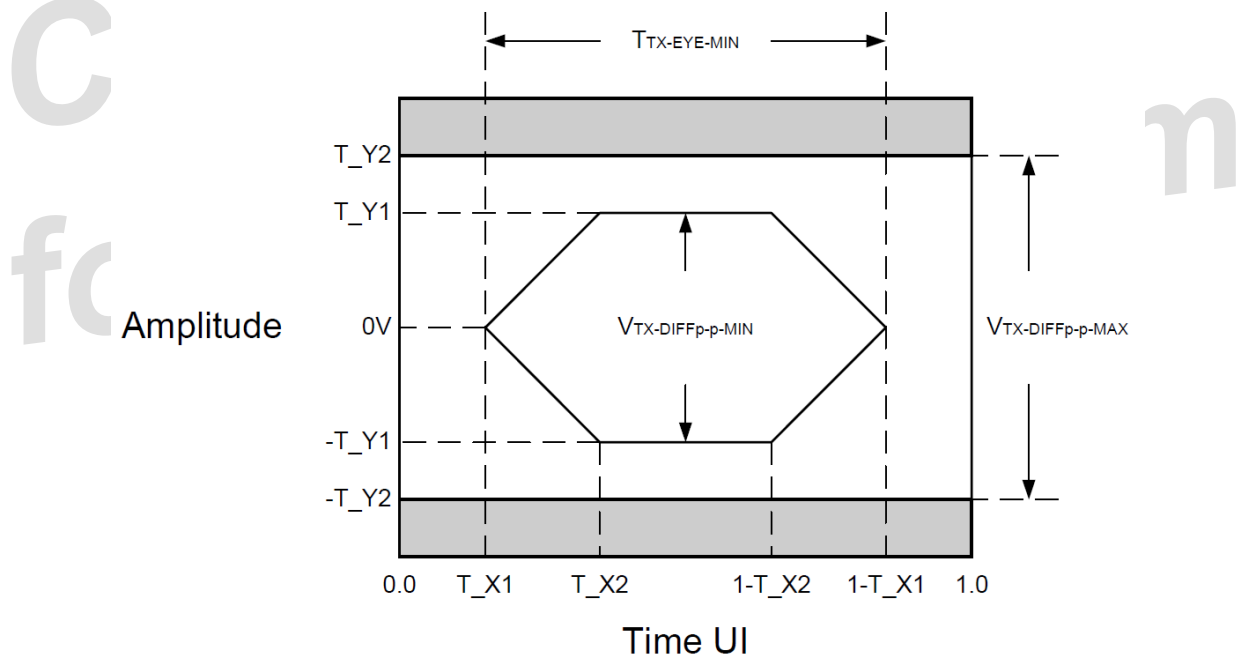
| Parameter                  | SYM                     | Min     | Typ | Max     | Units | Notes  |
|----------------------------|-------------------------|---------|-----|---------|-------|--|
| Unit Interval              | UI                      | 319.968 | 320 | 320.032 | ps    | 320ps ± 100ppm   |
| Eye Mask                   | R_X1                    | -       | -   | 0.275   | UI    | -  |
| Eye Mask                   | R_X2                    | -       | -   | 0.4     | UI    | -  |
| Eye Mask                   | R_Y1                    | 100     | -   | -       | mV    | -  |
| Eye Mask                   | R_Y2                    | -       | -   | 800     | mV    | -  |
| Input Differential Voltage | V <sub>RX-DIFFp-p</sub> | 200     | -   | 1200    | mV    | -  |
| Minimum RX Eye Width       | T <sub>RX-EYE</sub>     | 0.4     | -   | -       | UI    | -  |
| Input Jitter Tolerance     | T <sub>RX-JITTER</sub>  | -       | -   | 0.6     | UI    | T <sub>RX-JITTER-MAX</sub> = 1 - T <sub>RX-EYE-MIN</sub> = 0.6UI |
| Differential Resistance    | R <sub>RX</sub>         | 80      | 100 | 120     | ohm   | -  |


**Figure 33. HSGMII Differential Receiver Eye Diagram**

## 12.5.8. SGMII Characteristics

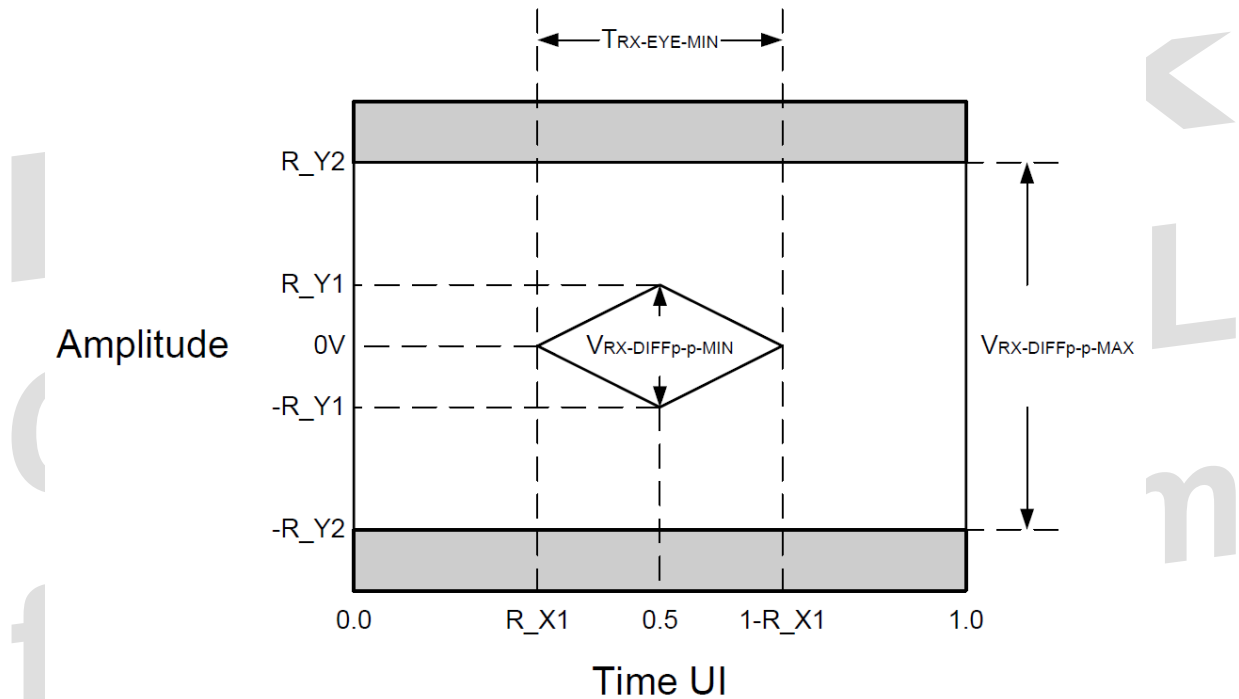
**Table 48. SGMII Differential Transmitter Characteristics**

| Parameter                   | SYM                     | Min    | Typ | Max    | Units | Notes   |
|-----------------------------|-------------------------|--------|-----|--------|-------|---|
| Unit Interval               | UI                      | 799.92 | 800 | 800.08 | ps    | 800ps ± 100ppm  |
| Eye Mask                    | T_X1                    | -      | -   | 0.15   | UI    | -   |
| Eye Mask                    | T_X2                    | -      | -   | 0.4    | UI    | -   |
| Eye Mask                    | T_Y1                    | 150    | -   | -      | mV    | -   |
| Eye Mask                    | T_Y2                    | -      | -   | 400    | mV    | -   |
| Output Differential Voltage | V <sub>TX-DIFFp-p</sub> | 300    | 700 | 800    | mV    | -   |
| Minimum TX Eye Width        | T <sub>TX-EYE</sub>     | 0.7    | -   | -      | UI    | -   |
| Output Jitter               | T <sub>TX-JITTER</sub>  | -      | -   | 0.3    | UI    | T <sub>TX-JITTER-MAX</sub> = 1 - T <sub>TX-EYE-MIN</sub> = 0.30UI |
| Data dependent jitter       |                         | -      | 70  | -      | ps    |   |
| Output Rise Time            | T <sub>TX-RISE</sub>    | 100    | -   | 200    | ps    | 20% ~ 80%   |
| Output Fall Time            | T <sub>TX-FALL</sub>    | 100    | -   | 200    | ps    | 20% ~ 80%   |
| Output impedance            | R <sub>TX</sub>         | 40     | -   | 140    | ohm   | single-end  |
| AC Coupling Capacitor       | C <sub>TX</sub>         | 80     | 100 | 120    | nF    | -   |
| Transmit Length in PCB      | L <sub>TX</sub>         | -      | -   | 10     | inch  | -   |


**Figure 34. SGMII Differential Transmitter Eye Diagram**

**Table 49. SGMII Differential Receiver Characteristics**

| Parameter                  | SYM                     | Min    | Typ | Max    | Units | Notes  |
|----------------------------|-------------------------|--------|-----|--------|-------|--|
| Unit Interval              | UI                      | 799.92 | 800 | 800.08 | ps    | 800ps ± 100ppm   |
| Eye Mask                   | T_X1                    | -      | -   | 0.15   | UI    | -  |
| Eye Mask                   | T_Y1                    | 100    | -   | -      | mV    | -  |
| Eye Mask                   | T_Y2                    | -      | -   | 600    | mV    | -  |
| Input Differential Voltage | V <sub>RX-DIFFp-p</sub> | 200    | -   | 1200   | mV    | -  |
| Minimum RX Eye Width       | T <sub>RX-EYE</sub>     | 0.4    | -   | -      | UI    | -  |
| Input Jitter Tolerance     | T <sub>RX-JITTER</sub>  | -      | -   | 0.6    | UI    | T <sub>RX-JITTER-MAX</sub> = 1 - T <sub>RX-EYE-MIN</sub> = 0.6UI |
| Differential Resistance    | R <sub>RX</sub>         | 80     | 100 | 120    | ohm   | -  |


**Figure 35. SGMII Differential Receiver Eye Diagram**

## 12.6. Power and Reset Characteristics

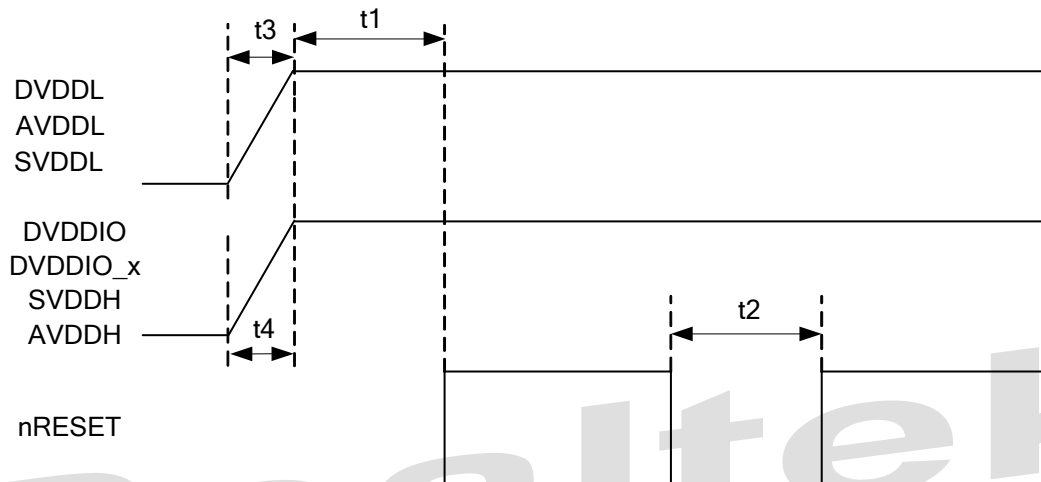


Figure 36. Power and Reset Characteristics

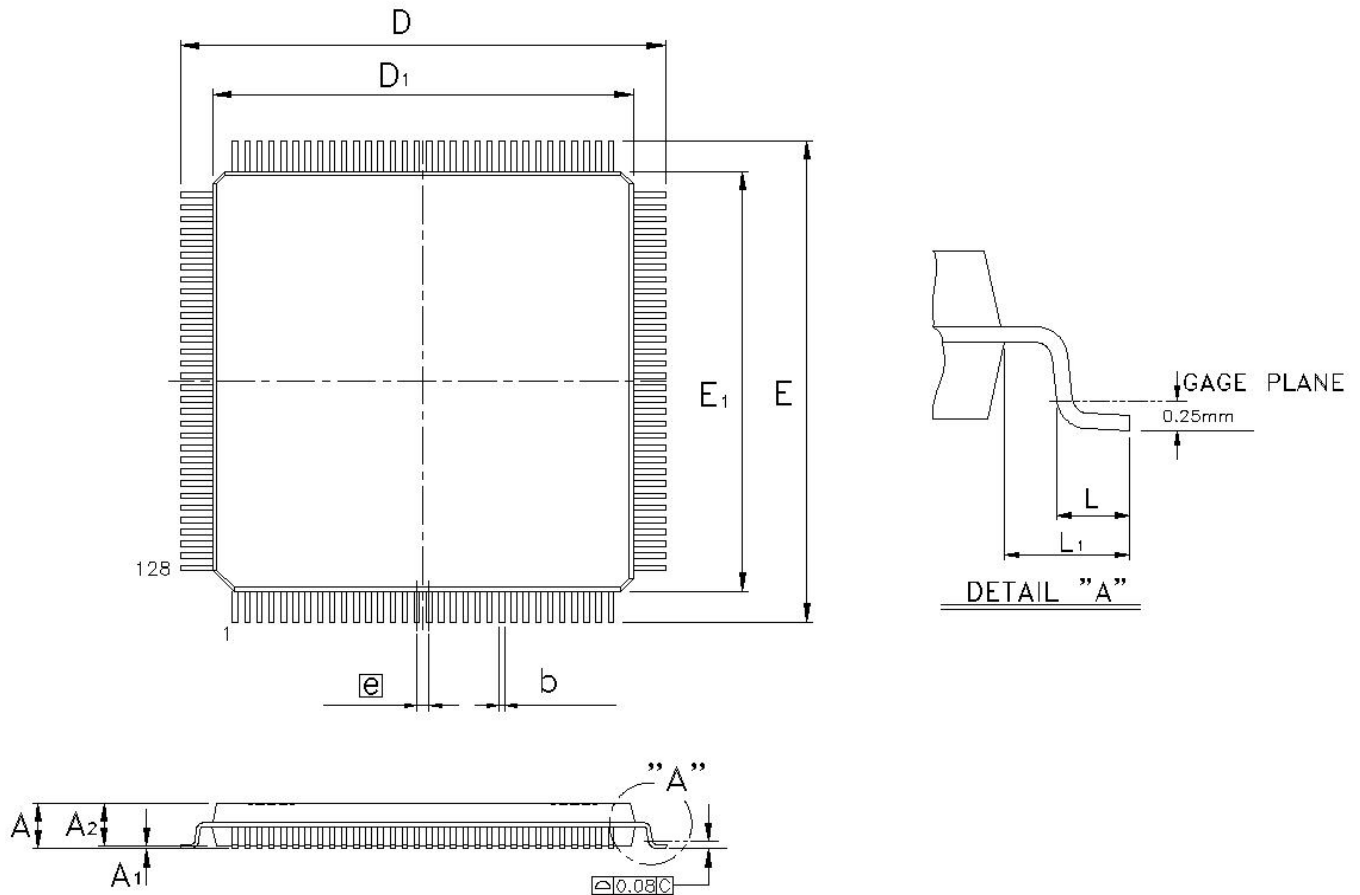
Table 50. Power and Reset Characteristics

| Parameter                     | SYM | Description/Condition  | Type | Min | Typical | Max | Units |
|-------------------------------|-----|--|------|-----|---------|-----|-------|
| Reset Delay Time              | t1  | The duration from 'all power steady' to the reset signal released to high              | I    | 10  | -       | -   | ms    |
| Reset Low Time                | t2  | The duration of reset signal remaining low time before issuing a reset to the RTL8367S | I    | 10  | -       | -   | ms    |
| VDDL Power Rise Settling Time | t3  | DVDDL, SVDDL and AVDDL power rise settling time  | I    | 0.5 | -       | -   | ms    |
| VDDH Power Rise Settling Time | t4  | DVDDIO, DVDDIO_x, SVDDH, and AVDDH power rise settling time                            | I    | 0.5 | -       | -   | ms    |



### 13. Mechanical Dimensions

Low Profile Plastic Quad Flat Package 128 Leads 14mm×14mm Outline.



| Symbol                         | Dimension in mm |      |      | Dimension in inch |       |       |
|--------------------------------|-----------------|------|------|-------------------|-------|-------|
|                                | Min             | Nom  | Max  | Min               | Nom   | Max   |
| A                              | —               | —    | 1.60 | —                 | —     | 0.063 |
| A <sub>1</sub>                 | 0.05            | —    | 0.15 | 0.002             | —     | 0.006 |
| A <sub>2</sub>                 | 1.35            | 1.40 | 1.45 | 0.053             | 0.055 | 0.057 |
| b                              | 0.13            | 0.18 | 0.23 | 0.005             | 0.007 | 0.09  |
| D/E                            | 16.00BSC        |      |      | 0.630BSC          |       |       |
| D <sub>1</sub> /E <sub>1</sub> | 14.00BSC        |      |      | 0.551BSC          |       |       |
| e                              | 0.40BSC         |      |      | 0.016BSC          |       |       |
| L                              | 0.45            | 0.60 | 0.75 | 0.018             | 0.024 | 0.030 |
| L <sub>1</sub>                 | 1.00 REF        |      |      | 0.039 REF         |       |       |

Note 1: CONTROLLING DIMENSION: MILLIMETER (mm).

Note 2: REFERENCE DOCUMENT: JEDEC MS-026.

## 14. Ordering Information

Table 51. Ordering Information

| Part Number | Package                      | Status |
|-------------|------------------------------|--------|
| RTL8367S-CG | LQFP 128-pin 'Green' Package | -      |

*Note: See page 8 for package identification.*

Realtek  
CONFIDENTIAL  
for Grandstream

---

**Realtek Semiconductor Corp.**

Headquarters

No. 2, Innovation Road II, Hsinchu Science Park,  
Hsinchu 300, Taiwan, R.O.C.

Tel: 886-3-5780211 Fax: 886-3-5776047

[www.realtek.com](http://www.realtek.com)

## X-ON Electronics

Largest Supplier of Electrical and Electronic Components

*Click to view similar products for [Ethernet ICs category](#):*

*Click to view products by [Realtek manufacturer](#):*

Other Similar products are found below :

[12200BS23MM](#) [SBL2ECHIP-236IR](#) [VSC8522XJQ-02](#) [WGI219LM SLKJ3](#) [BCM5221A4KPTGT](#) [JL82599ES S R1VN](#) [WGI219V SLKJ5](#)  
[BCM84793A1KFSBG](#) [WGI210CS S LKKL](#) [EZ557AT2 S LKVX](#) [FTXXV710-AM1 S LLZ2](#) [ELX550AT2 S LL2E](#) [ELX550AT S LLFT](#)  
[KSZ9563RNXC-TR](#) [KTI225IT S LNNK](#) [KTI225IT S LNNL](#) [VSC8562XKS-14](#) [WGI219LM SLKJ2](#) [IP101GRI](#) [RTL8213B-CG](#) [IP101GRR](#)  
[RTL8309N-VB-CG](#) [RTL8211FI-CG](#) [RTL8363NB-VB-CG](#) [WS3204](#) [KSZ9131RNXU-TRVAO](#) [RTL8211FSI-CG](#) [RTL8111H-CG](#)  
[RTL8309N-CG](#) [RTL8370N-VB-CG](#) [RTL8367S-CG](#) [RTL8211FDI-CG](#) [RTL8211FSI-VS-CG](#) [KSZ8061MNXI](#) [KSZ8061RNBW](#)  
[KSZ8462FHLI](#) [KSZ9031RNXCC](#) [KSZ9031RNXIC](#) [KSZ8081RNDIA-TR](#) [KSZ8091RNAIA TR](#) [KSZ9897RTXC](#) [LAN91C111I-NS](#)  
[LAN9303MI-AKZE](#) [LAN9313-NZW](#) [LAN91C111-NS](#) [BCM89610A2BMLG](#) [KSZ8794CNXIC](#) [KSZ8841-16MVLI](#) [KSZ8842-PMQLI](#)  
[KSZ8893MQLI](#)