

RTS5411T

USB3.2 Gen1x1 Super-Speed USB HUB Controller DATASHEET

**Doc Rev. 0.99
13. Oct. 2021**



Realtek Semiconductor Corp.

No. 2, Innovation Road II, Hsinchu Science Park, Hsinchu 300, Taiwan

Tel.: +886-3-578-0211. Fax: +886-3-577-6047

www.realtek.com.tw

COPYRIGHT

©2021 Realtek Semiconductor Corp. All rights reserved. No part of this document may be reproduced, transmitted, transcribed, stored in a retrieval system, or translated into any language in any form or by any means without the written permission of Realtek Semiconductor Corp.

DISCLAIMER

Realtek provides this document ‘as is’, without warranty of any kind. Realtek may make improvements and/or changes in this document or in the product described in this document at any time. This document could include technical inaccuracies or typographical errors.

TRADEMARKS

Realtek is a trademark of Realtek Semiconductor Corporation. All other names mentioned in this document are trademarks/registered trademarks of their respective owners.

Realtek provides this document “as is”, without warranty of any kind, neither expressed nor implied, including, but not limited to the particular purpose. Realtek may make improvements and/or changes in this manual or in the product(s) and/or the program(s) described in this manual at any time. This document could include technical inaccuracies or typographical errors.

Revision History

Revision	Description	Page	Date
0.99	First release		2021/10/13

Table of Contents

1. General Description.....	5
2. Features	6
3. Block Diagram.....	8
4. Pin Information	9
4.1 Pin Assignment.....	9
4.2 Pin Descriptions	10
4.3 Buffer list.....	13
5. Electrical Characteristics	14
5.1 Absolute Maximum Ratings.....	14
5.2 Recommended Operating Ranges.....	15
5.3 DC Characteristics.....	16
5.3.1 DC Characteristics except USB differential signals.....	16
5.3.2 USB 2.0 Interface DC Characteristics.....	16
5.3.3 USB3.2 GEN1X1 Interface DC Characteristics	16
5.4 AC Characteristics	16
5.4.1 System Clock.....	16
5.5 Power Consumption	17
5.6 Power On/Off Sequence.....	20
6. SMBus Slave Interface	21
6.1 Pull-Up Resistor for SMBus	21
6.2 SMBus Bus Protocol.....	21
6.2.1 Receive Byte.....	22
6.2.2 Block Write/Block Read.....	23
6.3 SMBus Transfer Protocol.....	23
6.3.1 Slave Address	23
6.3.2 Get Device Status.....	23
6.3.3 Block-out Transfer	24
6.3.4 Block-in Transfer	24
6.3.5 Invalid Protocol Response Behavior	24
6.4 Bus Reset Sequence.....	25
6.5 SMBus Timing	25
7. I2C Master and slave interface.....	26
7.1 I2C Slave interface	26
7.2 I2C Master interface	26
7.2.1 Supported Mode and Speed.....	26
7.2.2 Transfer Protocol Implementation.....	26
7.2.3 Stretching the SCK	27

7.2.4 Slave Response Timeout	27
7.3 I2C Timing	27
8. QFN-76 Package Dimensions.....	30
9. Ordering Information	32

1. General Description

RTS5411T is an advanced USB3.2 Gen1x1 4-port HUB controller, which integrates USB3.2 Gen1x1 and USB2.0 Transceivers, MCU, SIE, regulator and charger circuits into a single chip. That could dramatically reduce the system BOM cost. With high compatibility, RTS5411T is fully backward compatible to USB2.0 and USB1.1 specification which can be operated in Super-Speed Usb, High-Speed, Full-Speed and Low-Speed.

RTS5411T provides the battery charging function for each downstream port. Besides complies with USB Battery Charging specification rev1.2, RTS5411T also provides charging function for various portable devices. Not only downstream ports can be used as charger, RTS5411T's upstream port also supports two special functions regarding the BC1.2 specification. The first one charger function of RTS5411T's upstream port is called "ACA-dock" mode. When a device which complies with ACA-dock of the BC1.2 specification is put into an ACA-Dock, it would act as a host to various USB peripherals, such as a hub, keyboard, mouse, printer, etc. However, while in ACA-dock, the device should also be able to charge at the same time. The second charger function of the RTS5411T's upstream port is called "charger detection" function. RTS5411T can recognize the BC1.2 charger mode which attached to the upstream port, including CDP, DCP and SDP. RTS5411T supports an auto detection-switch mechanism to charge portable device in suitable mode.

RTS5411T can update its firmware with an external SPI flash through flexible ISP channel. With the ISP function, it can configure lots of features and settings by the external SPI flash. The ISP function is easy to complete with just one USB cable and RTS5411T's download tool.

The features and settings of RTS5411T can also configure by the SMBUS interface.

RTS5411T has various interfaces to communicate with other components, such as GPIO, I2C, SMBUS. It's flexible for extending varieties of applications by using these interfaces.

Moreover, RTS5411T supports a special power saving function named delink mode.

It can save more power for the system when there is no device connected to the hub even though the upstream port of the RTS5411T is attached to the downstream port of the behind host or hub.

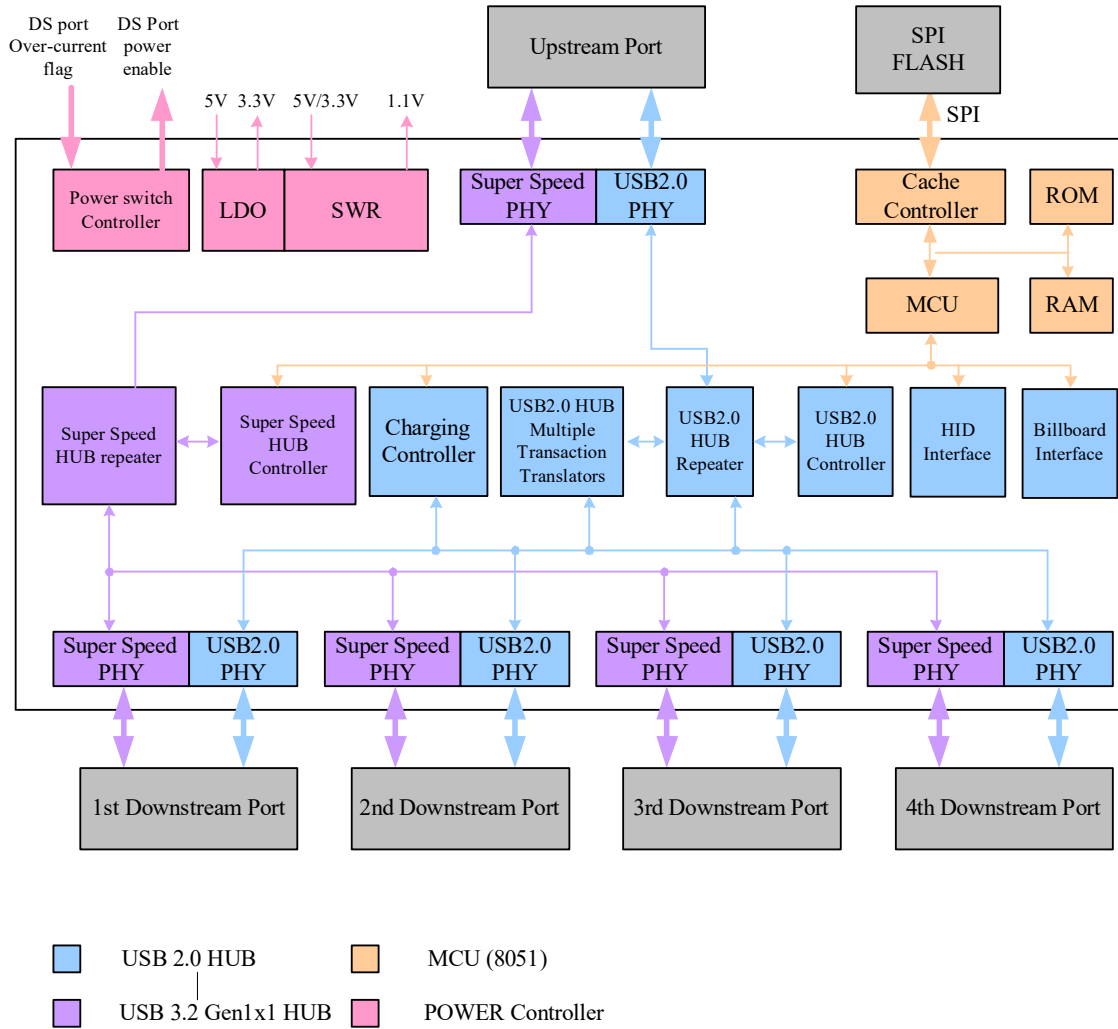
2. Features

- Compliant with Universal Serial Bus 3.2 Specification Revision 1.0
 - 4 downstream ports for Super-Speed Usb, high-speed, full-speed and low-speed traffic.
 - Backward compatible with USB specification Revision 2.0, 1.1 and 1.0.
- MTT(Multiple Transaction Translator)
 - One TT for each downstream port.
 - Better data throughput when multiple downstream ports act on FS concurrently.
- Support SMBUS to customize configurations
 - SMBUS address is configurable by external SPI Flash.
- Support I2C to configure other chips on the same platform.
- Compliant with USB Battery Charging Specification Revision 1.2 and other portable devices
 - DCP Mode of BC 1.2.
 - CDP Mode of BC 1.2.
 - ACA-Dock functions of BC 1.2.
 - Charger detection functions for upstream port's charger which complies with BC1.2.
 - D+/D- Divider Modes 2.0V/2.7V, 2.7/2.0V and 2.7/2.7V.
 - D+/D- 1.1V Mode.
- The Up Stream Port of the RTS5411T can detect the DSP it is connected to is a SDP, CDP, or DCP.
When the RTS5411T is connected to a charging port, it is allowed to draw more current from the DSP.
- Support Gang mode and Individual mode for downstream port.
- Support USB2.0 LPM-L1 function
- Support USB3.2 Gen1x1 U1/U2/U3 power saving mode
- Integrated Fast 8051 microprocessor
- Support one HID device
- Support one Billboard device
- Support Pending HP timer, PM timers, U1/U2/LFPS exit latency which are defined in the USB3.2 spec.
- Support 12MHz Crystal clock
- Integrated 3.3V output LDO inside, the input range supports from 4.5V to 5.5V
- Integrated 1.1V output switching regulator, the input range supports from 3.1V to 5.5V.
- Support LED control function of indicating Downstream Ports transfer activity and over-current

condition.

- 76-pin QFN (9 x9 mm) package
 - Support the “Delink” function for extreme power saving
 - If there is no any device attached to the RTS5411T’s downstream ports, the RTS5411T will disconnect itself from the downstream port of the host or another hub controller for further power saving.
- The connection of the upstream port will be established automatically once there is any device attached to its downstream ports.

3. Block Diagram



4.2 Pin Descriptions

Pin Name	Pin No.	I/O Type	Description
Power supply			
DV33	4,22,48,73	Power	3.3V power supply for digital circuits
DV11	3,49,50	Power	1.1V power supply for digital circuits
AV11	7,13,19,25,31,58,64,70	Power	1.1V power supply for analog circuits
LDO_V5_IN	54	Power	5V to 3.3V LDO input. Short this pin to DV33, when on-chip LDO is not used.
V33_OUT	55	Power	3.3V output (from internal 5V to 3.3V Low Dropout Regulator) Short this pin to DV33, when on-chip LDO is not used.
SWR_V5_IN	53	Power	5V to 1.1V SWR input Connect this pin to LDO_V5_IN if internal switching regulator isn't used.
SWR_GND	51	GND	Reference GND for 1.1V SWR
SWR_OUT	52	Power	5V to 1.1V SWR output Left this pin floating if internal switching regulator isn't used.
GND	61	GND	Reference ground
E-PAD	-	GND	The bottom of the package has a thermal pad. The pad shall be connected to the reference ground
Analog Interface			
RREF	1	I	Connect an external resistor (6.2K \pm 1%) to the Reference GND
System Clock			
XTLI	74	I	12Mhz Crystal input.
XTLO	75	O	12Mhz Crystal output.
LED Control Pins			
GPIO0/SMBCL, GPIO2/SCL, GPIO4,GPIO6	32,34,36,38	I/O	General Purpose I/O. Now used for LED application to indicate Downstream Ports transmit and receive activity. The LEDs will on when there is a device connected to the corresponding port and not in suspend. These pins have weak internal pull up resistances. Left these pins floating when unused. The GPIO0 can be configured as a SMBus clock pin The GPIO2 can be configured as a I2C clock pin
GPIO1/SMBDA, GPIO3/SDA, GPIO5,GPIO7	33,35,37,39	I/O	General Purpose I/O. Now used for LED application to indicate Downstream Ports over-current condition. The LEDs will on when over-current condition is detected. These pins have weak internal pull up resistances. Left these pins floating when unused. The GPIO1 can be configured as a SMBus data pin The GPIO3 can be configured as a I2C data pin

Pin Descriptions (continued)

Pin Name	Pin No.	I/O Type	Description
USB Port Control Pins			
DSP1_PWR, DSP2_PWR, DSP3_PWR, DSP4_PWR	40,41,42,43	O	External power switch enable pin for corresponding downstream port. Active low ⁽¹⁾ . Left these pins floating when unused. 0: Power supply for VBUS is on. 1: Power supply for VBUS is off.
OCP1,OCP2, OCP3,OCP4	67,10,16,28	I	Over Current Protection flag for corresponding downstream port .Active low ⁽¹⁾ . The external pull-up resistors shall be connected to these pins. 0: Over-current condition is detected. 1: Non over-current condition is detected.
BPWR_DET	2	I	Upstream VBUS power detection pin. Active High. 0: Upstream VBUS power is absent. 1: Upstream VBUS power exists.
SPWR_DET	76	I	Self Power Detection pin. Active High. 0: Bus-power setting 1: Self-power setting
SPI Interface			
SCK	44	I/O	This is I/O bi-direction. Now used as clock output for Serial Flash memory
SCS	45	I/O	This is I/O bi-direction. Now used as output chip select for Serial Flash memory Upon power on reset this pin is also used for pin strap option to perform code execution from internal ROM or external SPI ROM. 0:Execute codes from internal ROM . 1:Execute codes from Serial Flash.
MISO	46	I/O	This is I/O bi-direction. Now used as data input from Serial Flash memory
MOSI	47	I/O	This is I/O bi-direction. Now used as data output to Serial Flash memory

(1) Active low by default. It can be configured to be active high by firmware through executing external codes.

Pin Descriptions (continued)

Pin Name	Pin No.	I/O Type	Description
USB3.2 GEN1X1 Interface			
USP_SSTX+	60	O	USB3.2 Gen1x1 SuperSpeed TX+ of Upstream Port
DSP1_SSTX+, DSP2_SSTX+, DSP3_SSTX+, DSP4_SSTX+	65,8,14,26	O	USB3.2 Gen1x1 SuperSpeed TX+ of Downstream Ports
USP_SSTX-	59	O	USB3.2 Gen1x1 SuperSpeed TX- of Upstream Port
DSP1_SSTX-, DSP2_SSTX-, DSP3_SSTX-, DSP4_SSTX-	66,9,15,27	O	USB3.2 Gen1x1 SuperSpeed TX- of Downstream Ports
USP_SSRX+	63	I	USB3.2 Gen1x1 SuperSpeed RX+ of Upstream Port
DSP1_SSRX+, DSP2_SSRX+, DSP3_SSRX+, DSP4_SSRX+	68,11,17,29	I	USB3.2 Gen1x1 SuperSpeed RX+ of Downstream Ports
USP_SSRX-	62	I	USB3.2 Gen1x1 SuperSpeed RX- of Upstream Port
DSP1_SSRX-, DSP2_SSRX-, DSP3_SSRX-, DSP4_SSRX-	69,12,18,30	I	USB3.2 Gen1x1 SuperSpeed RX- of Downstream Ports
USB2.0 Interface			
USP_DP	56	I/O	USB2.0 D+ signal of Upstream Port
DSP1_DP, DSP2_DP, DSP3_DP, DSP4_DP	71,5,20,23	I/O	USB2.0 D+ signal of Downstream Ports
USP_DM	57	I/O	USB2.0 D- signal of Upstream Port
DSP1_DM, DSP2_DM, DSP3_DM, DSP4_DM	72,6,21,24	I/O	USB2.0 D- signal of Downstream Ports

4.3 Buffer list

5V input buffer with internal 10K pull-up resistor

OCP[4:1]⁽²⁾

Open drain output buffer

DSP_PWR [4:1]⁽¹⁾

3.3V bi-directional buffer

SCK.SCS, MISO, MOSI

3.3V bi-directional buffer with internal 200K pull-up resistor

GPIO[7:0]

5V input buffer

BPWR_DET, SPWR_DET

3.3V clock interface

XTLI, XTLO

USB2.0 interface

DSP_DP [4:1], USP_DP, DSP_DM [4:1], USP_DM

USB3.2 GEN1X1 interface

DSP_SSTX+[4:1], DSP_SSTX- [4:1], DSP_SSRX+[4:1], DSP_SSRX-[4:1],

USP_SSTX+,USP_SSTX-,USP_SSRX+, USP_SSRX-

LDO interface

LDO_V5_IN, V33_OUT

Switching Regulator interface

SWR_V5_IN, SWR_OUT

(1) Use open drain output buffer by default when configured as active low. If configured as active high by F/W, it will use the 3.3V output buffer instead.

(2) The pull-up resistors are only valid when the 'power switch' mode is selected.

5. Electrical Characteristics

5.1 Absolute Maximum Ratings

Parameter	Symbol	Condition	Rating	Units
Power supply voltage	V_{5IN}		5.5	V
	V_{AV11}, V_{DV11}		-0.2 to 1.3	V
	V_{DV33}		-0.5 to 4.1	V
Input voltage ⁽¹⁾	V_I	3V buffer	-0.5 to $V_{DV33}+0.5$	V
		5V buffer Open drain buffer	-0.5 to +6	V
Output voltage ⁽²⁾	V_O		-0.5 to $V_{DV33}+0.5$	V
Output current ⁽³⁾	I_O	4mA Type ⁽⁴⁾	6	mA
		8mA Type ⁽⁴⁾	12	mA
Storage temperature	T_{stg}		-20 to +80	°C
Latch up Current			±400	mA
Electrostatic Discharge Voltage (HBM)			±5	KV
Electrostatic Discharge Voltage (MM)			±200	V
Electrostatic Discharge Voltage (CDM)			±500	V

- (1) This parameter indicates voltage exceeding which damage or reduced reliability will occur when power is applied to an input pin.
- (2) This Parameter indicates voltage exceeding which damage or reduced reliability will occur when power is applied to an output pin.
- (3) This parameter indicates absolute tolerance values for DC current to prevent damage or reduced reliability when current flows out of or into output pin.
- (4) The output driving strength of all output is 4mA by default, which can be configured as 8mA by firmware through executing external codes.

5.2 Recommended Operating Ranges

Parameter	Symbol	Condition	Min.	Typ.	Max.	Units
Power supply voltage	V_{5IN}		4.45	5	5.25	V
	V_{AV11}, V_{DV11}	Active		1.1		V
		Disconnect / Suspend			1.05	
	V_{DV33}		2.97	3.3	3.63	V
Available current of 3.3V power supply for external circuits ⁽¹⁾		$V_{5IN}=5V$			150	mA
Operating ambient temperature	T_A		0		+70	°C
Absolute maximum junction temperature	T_J		0		+125	°C
Surface Temperature of body	T_C	PCB Layer:4L	0		+118.2	°C
		PCB Layer:2L	0		+120.7	°C

(1) Load current of external circuits shouldn't exceed the max value when using on-chip LDO. It is recommended that the external circuits are limited to SPI Flash and LEDs

5.3 DC Characteristics

5.3.1 DC Characteristics except USB differential signals

The following specifications apply when power supply voltages are within the recommended operating ranges in section 6.2.

Parameter	Symbol	Conditions	Min.	Max.	Units
Input leakage current ⁽¹⁾	I _I	3V buffer, V _I =V _{DV33} or GND	-0.5	+0.5	μA
		5V buffer, V _I =V _{5IN} or GND	-30	+30	μA
Input High Voltage	V _{IH}	3V buffer,	2		V
		5V buffer	3.16		V
Input Low Voltage	V _{IL}	3V buffer		0.8	V
		5V buffer		0.8	V
Output High Voltage	V _{OH}		0.9V _{DV33}		V
Output Low Voltage	V _{OL}			0.1V _{DV33}	V
TRI-STATE Output Leakage Current ⁽²⁾	I _{OZ}	3.3V buffer, V _O = V _{DV33} or GND	-0.5	+0.5	μA
Input pin Capacitance	C _{in}			10	pF

(1) This parameter indicates the current that flows through the input pin when power supply voltage is supplied to it.

(2) This parameter indicates the current that flows through the output pin in tri-stated when the power supply voltage is applied to it.

5.3.2 USB 2.0 Interface DC Characteristics

RTS5411T conforms to DC characteristics of Universal Serial Bus 2.0 Specification. Refer to the specification for more information.

5.3.3 USB3.2 Gen1x1 Interface DC Characteristics

RTS5411T conforms to DC characteristics of Universal Serial Bus 3.2 Specification. Refer to the specification for more information.

5.4 AC Characteristics

5.4.1 System Clock

The following specifications apply when power supply voltages and operating temperature are within the recommended operating ranges in section 5.2.

Parameter	Symbol	Condition	Min.	Typ.	Max.	Units
Clock frequency	F _{CLK}	Crystal ⁽¹⁾	-100ppm	12	100ppm	MHz

(1) Crystal used shall conform to the frequency ratings in the table over the temperature from 0°C to +70°C.

5.5 Power Consumption

The following consumption value applies upon the typical condition **without on-chip LDO and Switch Regulator operating**. The **VDD33** and **VDD11** are powered externally.

T_A = 25°C, VDD33(V_{DV33}) = 3.3 V, VDD11(V_{AV11}, V_{DV11}) = 1.1 V.

Device Connection	Condition	Typical Supply Current(mA)		Typical Power(mW)
		VDD11	VDD33	
No Upstream connection	Hub is not connected to host controller.	TBD	TBD	TBD
Suspend	Hub is connected to host controller both with SuperSpeed and High-Speed. SuperSpeed hub goes into U3 state and USB2.0 hub goes into L2 state	TBD	TBD	TBD
4 LS devices	Hub is connected to host controller both with SuperSpeed and High-Speed. Low-Speed data transfer on the four ports.	TBD	TBD	TBD
4 HS devices	Hub is connected to host controller both with SuperSpeed and High-Speed. High-Speed data transfer on the four ports.	TBD	TBD	TBD
4 SS devices	Hub is connected to host controller both with SuperSpeed and High-Speed. Super-Speed Usb data transfer on the four ports. ⁽³⁾	TBD	TBD	TBD
2 SS devices	Hub is connected to host controller both with SuperSpeed and High-Speed. Super-Speed Usb data transfer on the two ports. ⁽³⁾	TBD	TBD	TBD
1 SS devices	Hub is connected to host controller both with SuperSpeed and High-Speed. Super-Speed Usb data transfer on one port. ⁽³⁾	TBD	TBD	TBD
4 SS/HS devices	Hub is connected to host controller both with SuperSpeed and High-Speed. Four SuperSpeed hubs are connected on all ports under SuperSpeed and High-Speed data transfer. ⁽³⁾	TBD	TBD	TBD
2 SS/HS devices	Hub is connected to host controller both with SuperSpeed and High-Speed. Two SuperSpeed hubs are connected on all ports under SuperSpeed and High-Speed data transfer. ⁽³⁾	TBD	TBD	TBD

- (1) Charging function is disabled, and all the GPIO pins are configured as input to avoid unexpected current consumption drawn by external circuits which connect to GPIOs.
- (2) When charging function is enabled. The VDD33 power consumption will also increase by 2mA in SS devices connection when charging function is enabled.
- (3) The SS devices under test support U1/U2 function. When the SS devices are Idle with little data transfer. The SuperSpeed hub will keep in U1/U2 power saving status most of the time.
- (4) The SS devices under test do not support U1/U2 function. So this is the worst case for SS power consumption

The following consumption value applies upon the typical condition **with on-chip LDO and Switch Regulator operating**. Only **VDD5** needs to be provided in this 5V mode.

TA= 25°C, VDD5(V_{5IN}) = 5 V.

Device Connection	Condition	Typical Supply Current(mA)	Typical Power(mW)
		VDD5	
No Upstream connection	Hub is not connected to host controller.	TBD	TBD
Suspend	Hub is connected to host controller both with SuperSpeed and High-Speed. SuperSpeed hub goes into U3 state and USB2.0 hub goes into L2 state	TBD	TBD
4 LS devices	Hub is connected to host controller both with SuperSpeed and High-Speed. Low-Speed data transfer on the four ports.	TBD	TBD
4 HS devices	Hub is connected to host controller both with SuperSpeed and High-Speed. High-Speed data transfer on the four ports.	TBD	TBD
4 SS devices	Hub is connected to host controller both with SuperSpeed and High-Speed. Super-Speed Usb data transfer on the four ports. ⁽¹⁾	TBD	TBD
2 SS devices	Hub is connected to host controller both with SuperSpeed and High-Speed. Super-Speed Usb data transfer on the two ports. ⁽¹⁾	TBD	TBD
1 SS devices	Hub is connected to host controller both with SuperSpeed and High-Speed. Super-Speed Usb data transfer on one port. ⁽¹⁾	TBD	TBD
4 SS/HS devices	Hub is connected to host controller both with SuperSpeed and High-Speed. Four SuperSpeed hubs are connected on all ports under SuperSpeed and High-Speed data transfer. ⁽¹⁾	TBD	TBD
2 SS/HS devices	Hub is connected to host controller both with SuperSpeed and High-Speed. Two SuperSpeed hubs are connected on all ports under SuperSpeed and High-Speed data transfer. ⁽³⁾	TBD	TBD

- (1) Charging function is disabled, and all the GPIO pins are configured as input to avoid unexpected current consumption drawn by external circuits which connect to GPIOs.
- (2) When charging function is enabled. The VDD33 power consumption will also increase by 2mA in SS devices connection when charging function is enabled.
- (3) The SS devices under test support U1/U2 function. When the SS devices are Idle with little data transfer. The SuperSpeed hub will keep in U1/U2 power saving status most of the time.
- (4) The SS devices under test do not support U1/U2 function. So this is the worst case for SS power consumption

The following consumption value applies upon the typical condition **with on-chip Switch Regulator operating**. Only **VDD33** needs to be provided in this 3.3V mode.

TA= 25°C, VDD33(V_{DV33}) = 3.3 V.

Device Connection	Condition	Typical Supply Current(mA)	Typical Power(mW)
		VDD33	
No Upstream connection	Hub is not connected to host controller.	TBD	TBD
Suspend	Hub is connected to host controller both with SuperSpeed and High-Speed. SuperSpeed hub goes into U3 state and USB2.0 hub goes into L2 state	TBD	TBD
4 LS devices	Hub is connected to host controller both with SuperSpeed and High-Speed. Low-Speed data transfer on the four ports.	TBD	TBD
4 HS devices	Hub is connected to host controller both with SuperSpeed and High-Speed. High-Speed data transfer on the four ports.	TBD	TBD
4 SS devices	Hub is connected to host controller both with SuperSpeed and High-Speed. Super-Speed Usb data transfer on the four ports. ⁽¹⁾	TBD	TBD
2 SS devices	Hub is connected to host controller both with SuperSpeed and High-Speed. Super-Speed Usb data transfer on the two ports. ⁽¹⁾	TBD	TBD
1 SS devices	Hub is connected to host controller both with SuperSpeed and High-Speed. Super-Speed Usb data transfer on one port. ⁽¹⁾	TBD	TBD
4 SS/HS devices	Hub is connected to host controller both with SuperSpeed and High-Speed. Four SuperSpeed hubs are connected on all ports under SuperSpeed and High-Speed data transfer. ⁽¹⁾	TBD	TBD
2 SS/HS devices	Hub is connected to host controller both with SuperSpeed and High-Speed. Two SuperSpeed hubs are connected on all ports under SuperSpeed and High-Speed data transfer. ⁽³⁾	TBD	TBD

- (1) Charging function is disabled, and all the GPIO pins are configured as input to avoid unexpected current consumption drawn by external circuits which connect to GPIOs.
- (2) When charging function is enabled. The VDD33 power consumption will also increase by 2mA in SS devices connection when charging function is enabled.
- (3) The SS devices under test support U1/U2 function. When the SS devices are Idle with little data transfer. The SuperSpeed hub will keep in U1/U2 power saving status most of the time.
- (4) The SS devices under test do not support U1/U2 function. So this is the worst case for SS power consumption

5.6 Power On/Off Sequence

When the on-chip LDO and switch regulator are not used, both 1.1V and 3.3V power need to be provided externally. The power on/off sequence between 1.1V and 3.3V need to be noticed as in Figure 5-1. During power on, it is recommended that the point where both power supplies are stabilized should be no later than 50ms after the start of the 3.3V rising. During power off, the end of 1.1V falling should be no later than 350ms after the start of 3.3V falling. Meanwhile, the falling time ($0.9V_{DD}$ to $0.1V_{DD}$) of 3.3V power should be no less than 50us. During the whole process, the voltage of 3.3V power should be always above the 1.1V power.

When the 5V to 3.3V LDO is used and 1.1V power is provided externally. The power on/off sequence between 1.1V and 5V should be as the same as the sequence between 1.1V and 3.3V mentioned above.

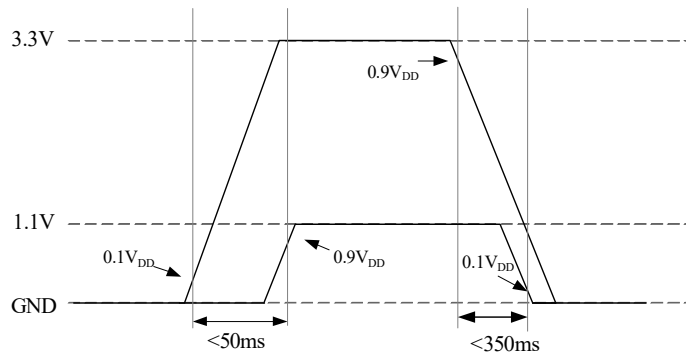


Figure 5-1. Power On/Off Sequence when 1.1V and 3.3V are provided externally

When both 5V to 3.3V LDO and 5V to 1.1 switch regulator are used, only 5V power needs to be provided. During power on, the rising time of 5V should be less than 50ms. During power off, the falling time from $0.9V_{DD}$ to 2V should be less than 500ms as in Figure 5-2.

When switch regulator is operated in 3.3V to 1.1V mode, only 3.3V power needs to be provided. The rising and falling during power on/off should comply with the timing mentioned in adjacent section above.

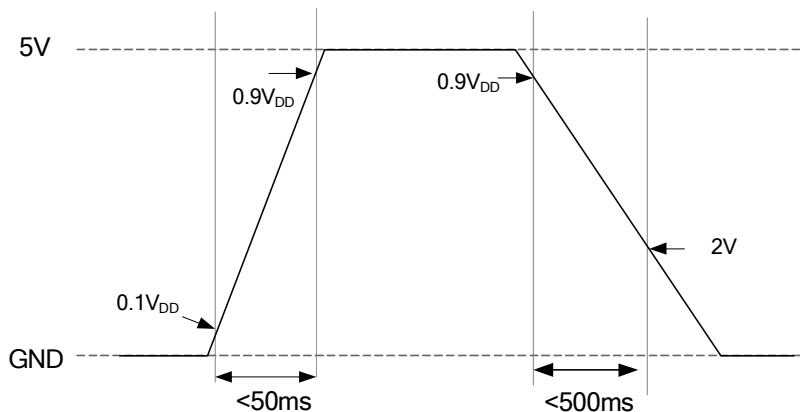


Figure 5-2 Power On/Off Sequence in 5V only mode

6. SMBus Slave Interface

The SMBus interface of RTS5411T is default disabled by firmware after power reset. To enable the SMBus, the external SPI flash is required.

6.1 Pull-Up Resistor for SMBus

External pull-up resistors (10 k Ω recommended) are required on the SM_DAT and SM_CLK pins when implementing SMBus.

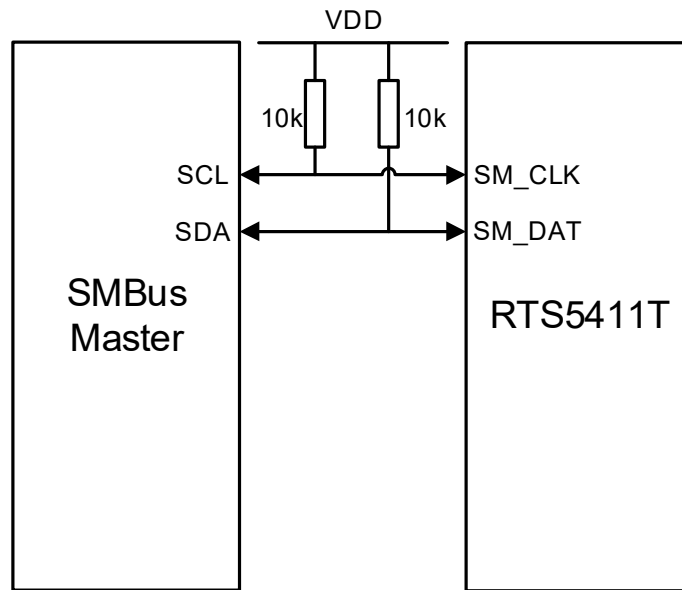


Figure 6-1. SMBus Slave Connection

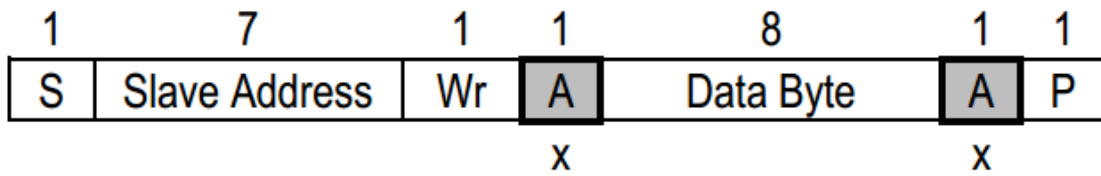
6.2 SMBus Bus Protocol

There are three **Bus Protocols** (defined in *SMBus Specification Revision 1.0*) supported by the SMBus interface of RTS5411T:

- Receive Byte
- Block Write
- Block Read

These bus protocols are shown in Figure 6-3, Figure 6-4 and Figure 6-5. The shading shown in the figures during a read or write indicates the hub is driving data on the SM_DAT line; otherwise, host data is on the SM_DAT line. Not all protocol elements will be present in every command. For instance, not all packets are required to include the Packet Error Code.

Note: Data bytes are transferred MSB first.



- S Start Condition
- Sr Repeated Start Condition
- Rd Read (bit value of 1)
- Wr Write (bit value of 0)
- x Shown under a field indicates that that field is required to have the value of 'x'
- A Acknowledge (this bit position may be '0' for an ACK or '1' for a NACK)
- P Stop Condition
- PEC Packet Error Code
- Master-to-Slave
- Slave-to-Master
- ... Continuation of protocol

Figure 6-2. SMBus Bus Protocol

6.2.1 Receive Byte

The **Receive Byte** is similar to a Send Byte, the only difference being the direction of data transfer. A simple device may have information that the host needs. It can do so with the Receive Byte protocol. The same device may accept both Send Byte and Receive Byte protocols. A NACK (a '1' in the ACK bit position) signifies the end of a read transfer.

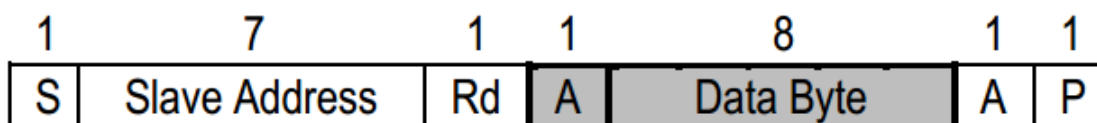


Figure 6-3. Receive Byte

6.2.2 Block Write/Block Read

The **Block Write** begins with a slave address followed by a write bit, which is sent by I2C master. After the command code following the slave address, the I2C master sent a byte count which describes how many bytes will be transmitted later. For example, there are 20 bytes to be send by I2C master, the byte count field should be set as 20 (14h) which followed by the 20-byte data. The byte count does not include the PEC byte. The byte count may not set as zero. A Block Read or Block Write is allowed to transfer **a maximum of 32 data bytes**.

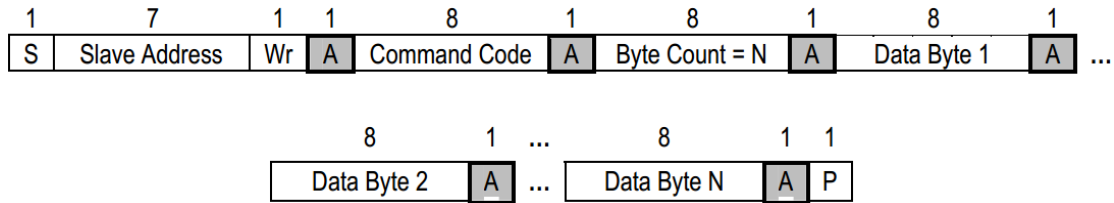


Figure 6-4. Block Write

A **Block Read** differs from Block Write in that the repeated START condition exists to satisfy the requirement for a change in the transfer direction. A NACK immediately preceding the STOP condition signifies the end of the read transfer.

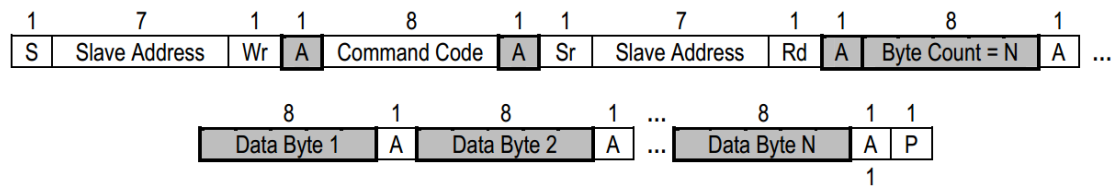


Figure 6-5. Block Read

6.3 SMBus Transfer Protocol

There are three Transfer Protocols supported by the SMBus interface of the RTS5411T:

- Get Device Status
- Block-out Transfer
- Block-in Transfer

6.3.1 Slave Address

The SMBus slave address of RTS5411T is default set to be 1101010b.

The value of slave address should be written to SLAVE_ADDR register when the initialization process of the firmware, then HW will automatically compare it with the received slave address.

6.3.2 Get Device Status

A **Get Device Status** is implemented by **Receive Byte**, which is used by the master to polling the transfer status for the addressed device

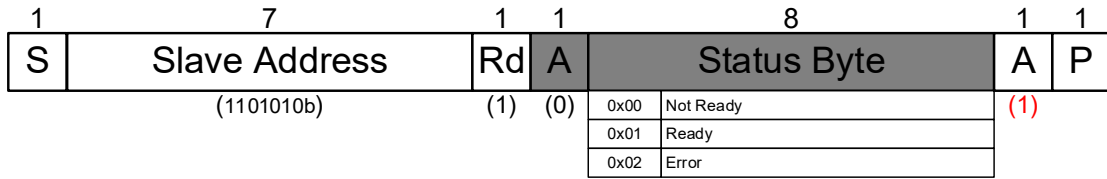


Figure 6-6. Get Device Status

6.3.3 Block-out Transfer

A **Block-out Transfer** is implemented by **Block Write** and **Receive Byte**, which is used by the master to send a block data. The maximum transfer size is 32-byte.

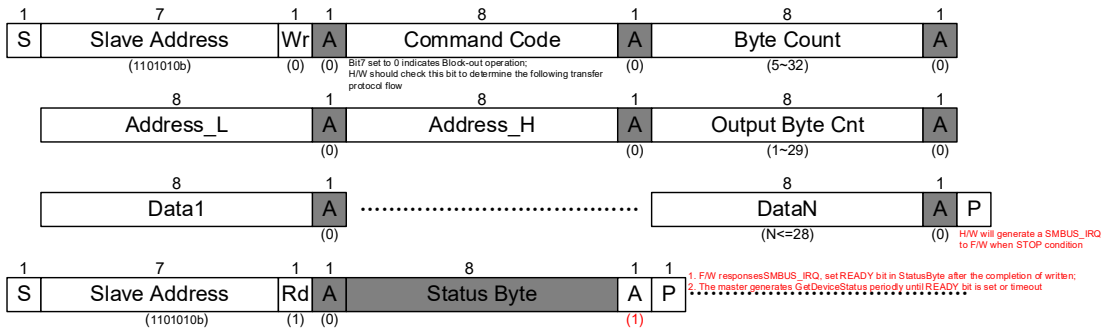


Figure 6-7. Block-out Transfer

6.3.4 Block-in Transfer

A **Block-in Transfer** is implemented by Block Write, Block Read and Receive Byte, which is used by the master to receive a block data. The maximum transfer size is 32-byte.

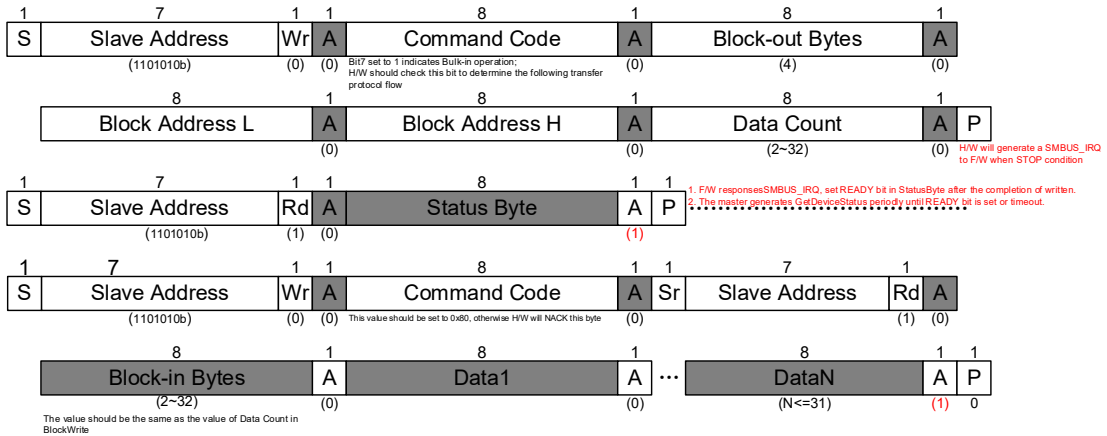


Figure 6-8. Block-in Transfer

6.3.5 Invalid Protocol Response Behavior

The only valid protocols are Get Device Status, Bulk-out Transfer and Bulk-in Transfer (described above), where RTS5411T only responds to the 7-bit firmware configured slave addresses (1101010b). Any invalid protocol will result ERROR bit set in Status Byte, which indicates that an error has happened.

6.4 Bus Reset Sequence

The SMBus slave interface resets and returns to the idle state upon a START condition followed immediately by a STOP condition.

6.5 SMBus Timing

The SMBus slave interface complies with the *SMBus Specification Revision 1.0*. See Section 2.1, *AC Specifications* on page 3 for more information.

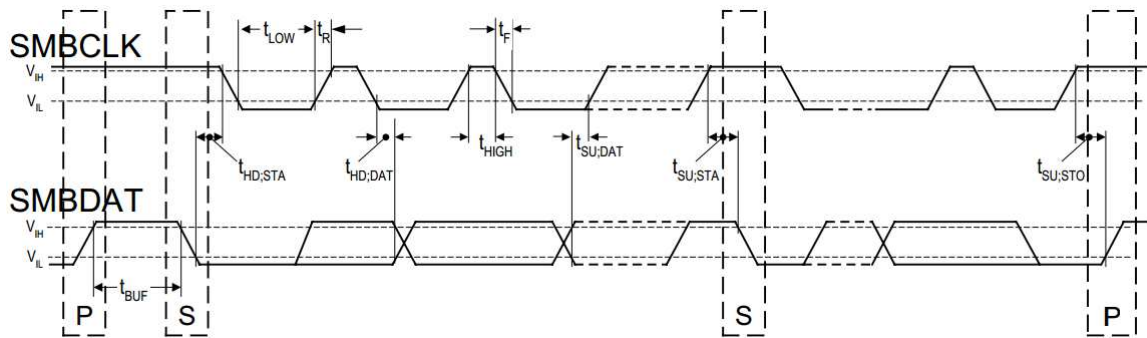


Figure 6-9. SMBus Slave Time Diagram

Symbol	Parameter	Limits		Units
		Min	Max	
F _{SMB}	SMBus Operating Frequency	10	100	kHz
F _{BUF}	Bus free time between Stop and Start Condition	4.7	-	μs
T _{HD:STA}	Hold time after (Repeated) Start Condition. After this period, the first clock is generated.	4.0	-	μs
T _{SU:STA}	Repeated Start Condition setup time	4.7	-	μs
T _{SU:STO}	Stop Condition setup time	4.0	-	μs
T _{HD:DAT}	Data hold time	300	-	ns
T _{SU:DAT}	Data setup time	250	-	ns
T _{TIMEOUT}	Detect clock low timeout	25	35	ms
T _{LOW}	Clock low period	4.7	-	μs
T _{HIGH}	Clock high period	4.0	50	μs
T _{LOW:SEXT}	Cumulative clock low extend time (slave device)	-	25	ms
T _{LOW:MEXT}	Cumulative clock low extend time (master device)	-	10	ms
T _F	Clock/Data Fall Time	-	300	ns
T _R	Clock/Data Rise Time	-	1000	ns
T _{POR}	Time in which a device must be operational after power-on reset		500	ms

Table 6-1. SMBus AC specifications

7. I2C Master and slave interface

7.1 I2C Slave interface

The operation flow and data transaction format of I2C slave is similar with SMBus slave, reference SMBus Slave interface for reference.

7.2 I2C Master interface

7.2.1 Supported Mode and Speed

RTS5411T support the following three bus speed mode:

- Standard-mode (Sm), with a bit rate up to 100 kbit/s.
- Fast-mode (Fm), with a bit rate up to 400 kbit/s.
- Fast-mode Plus (Fm+), with a bit rate up to 1 Mbit/s.

7.2.2 Transfer Protocol Implementation

RTS5411T support four types transfer format

- Write
- Read
- Read Random
- Send Address

Write transfer

Master-transmitter transmits to slave-receiver. The transfer direction is not changed as depicted in the figure below. The slave receiver acknowledges each byte.

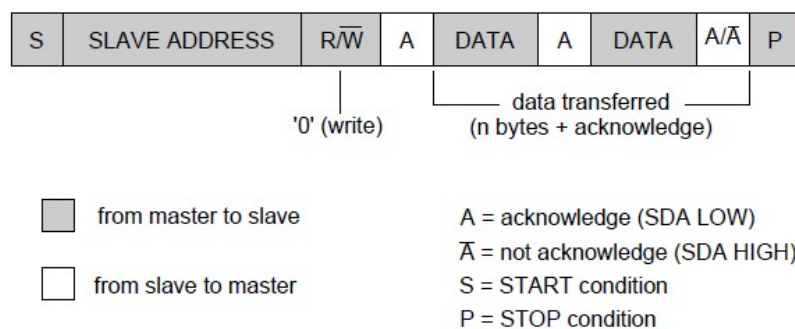


Figure 7-1 Write transfer format

Read transfer

Master reads slave immediately after first byte (see Figure below). At the moment of the first acknowledge, the master-transmitter becomes a master-receiver and the slave-receiver becomes a slave-transmitter. The first byte data is still generated by the slave, and then I2C master generates subsequent acknowledges. At the end, STOP condition is generated by the master, which sends a not-acknowledge (A) just before the STOP condition.

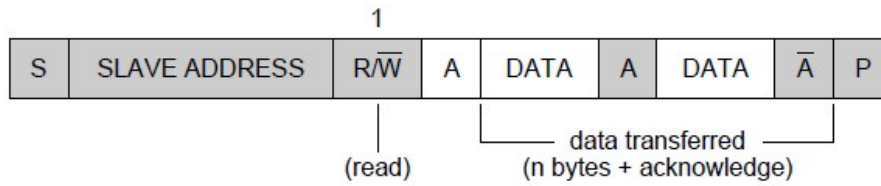


Figure 7-2 Read transfer format

Read Random transfer

Read Random transfer format initiate two START condition, one is START , the other is Start repeat (Sr), during the start and Sr the transfer direction changed. During a change of direction within a transfer, the START condition and the slave address are both repeated, but with the R/W bit reversed. As describe in the figure below ,the R/W bit after the first START is write and the data length n is 0 to 4 bytes. And the following start repeat R/W bit is read. The purpose of this format is to send command for the following Read operation.

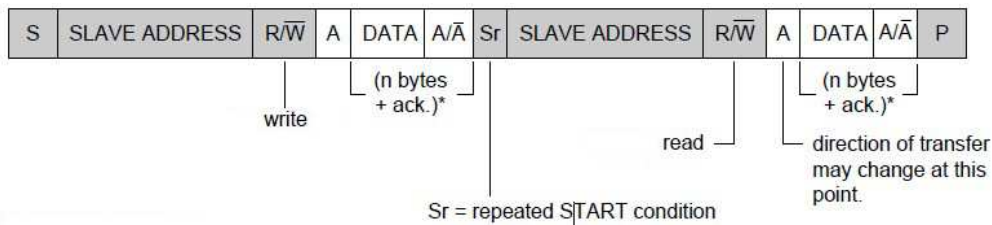


Figure 7-3 Read Random transfer format

Send Address

The Send Address transfer format is only with the slave address and without data, STOP condition following the R/W bit. This operation is used to set I2C slave device slave address.

7.2.3 Stretching the SCK

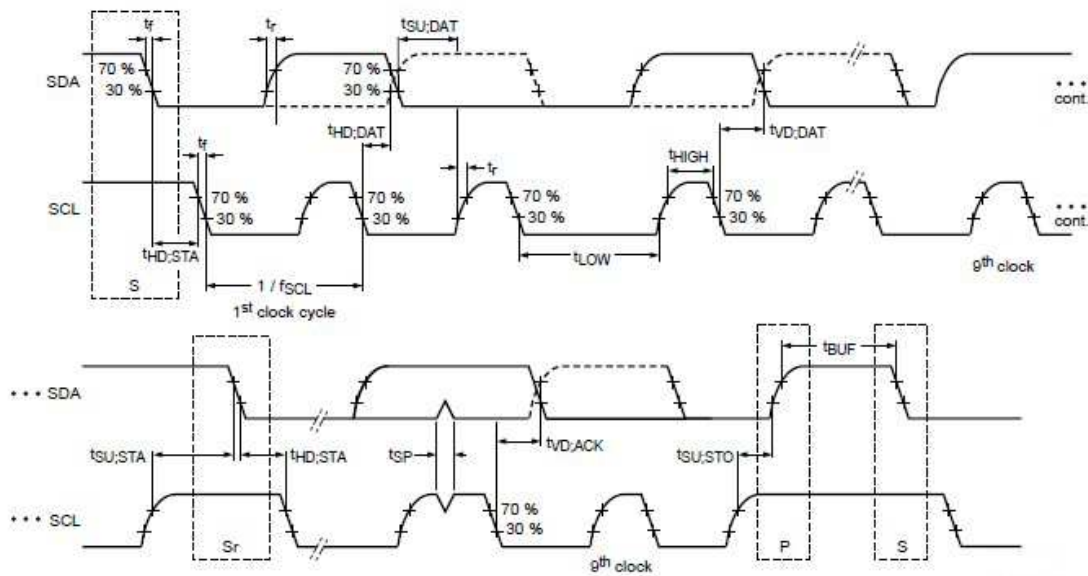
RTS5411T support the I2C slave stretch SCK when the slave is busy. Besides, the hub will stretch the SCK if the memory to send or receive data being full or empty.

7.2.4 Slave Response Timeout

The Slave Response Timeout is configurable for RTS5411T.

7.3 I2C Timing

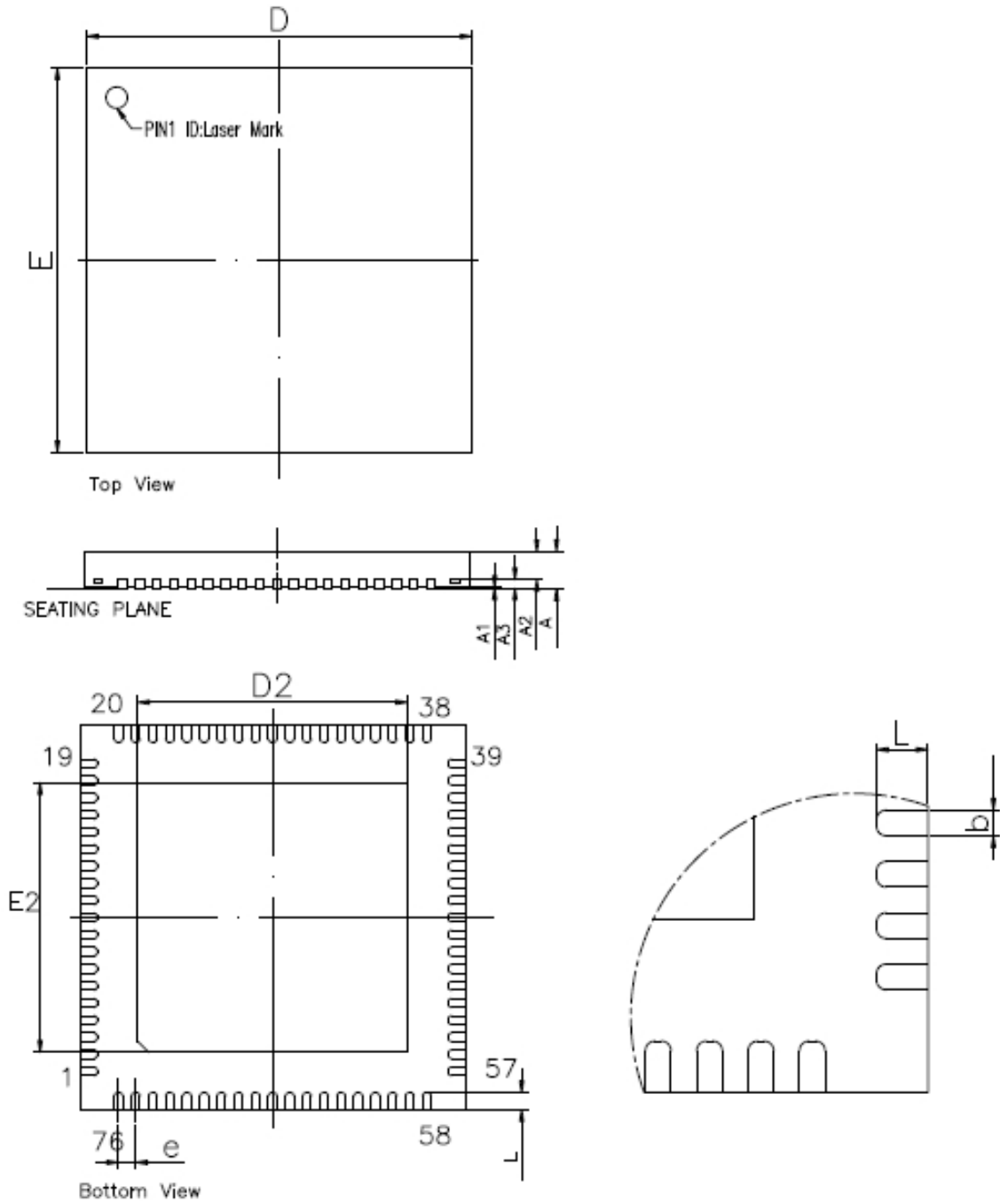
The I2C-bus timing characteristics, bus-line capacitance and noise margin are given in Table7-1. Figure 7-4 shows the timing definitions for the I2C-bus.


Figure 7-4 Definition of timing on the I2C bus
Table 7-1 I2C Master Timing Specification

Symbol	Parameter	Standard-mode		Fast-mode		Fast-mode Plus		Unit
		Min	Max	Min	Max	Min	Max	
f_{SCL}	SCL clock frequency	0	100	0	400	0	1000	kHz
$t_{HD:STA}$	hold time(repeated) START condition	4.0	-	0.6	-	0.26	-	μ s
t_{LOW}	LOW period of the SCL clock	4.7	-	1.3	-	0.5	-	μ s
t_{HIGH}	HIGH period of the SCL clock	4.0	-	0.6	-	0.26	-	μ s
$t_{SU:STA}$	set-up time for a repeated START condition	4.7	-	0.6	-	0.26	-	μ s
$t_{HD:DAT}$	data hold time	5.0	-	-	-	-	-	μ s
$t_{SU:DAT}$	data set-up time	250	-	100	-	50	-	ns
t_r	rise time of both SDA and SCL signals	-	1000	$20+0.1Cb$	300	-	120	ns
t_f	fall time of both SDA and SCL signals	-	300	$20+0.1Cb$	300	-	120	ns
$t_{SU:STO}$	set-up time for STOP condition	4.0	-	0.6	-	0.26	-	μ s
t_{BUF}	bus free time between a STOP and START condition	4.7	-	1.3	-	0.5	-	μ s

C_b	capacitive load for each bus line	-	400	-	400	-	550	pF
$t_{VD;DAT}$	data valid time	-	3.45	-	0.9	-	0.45	μs
$t_{VD;ACK}$	data valid acknowledge time	-	3.45	-	0.9	-	0.45	μs
V_{nL}	noise margin at LOW level	$0.1V_{DD}$	-	$0.1V_{DD}$	-	$0.1V_{DD}$	-	V
V_{nH}	noise margin at LOW level	$0.2V_{DD}$	-	$0.2V_{DD}$	-	$0.2V_{DD}$	-	V

8. QFN-76 Package Dimensions

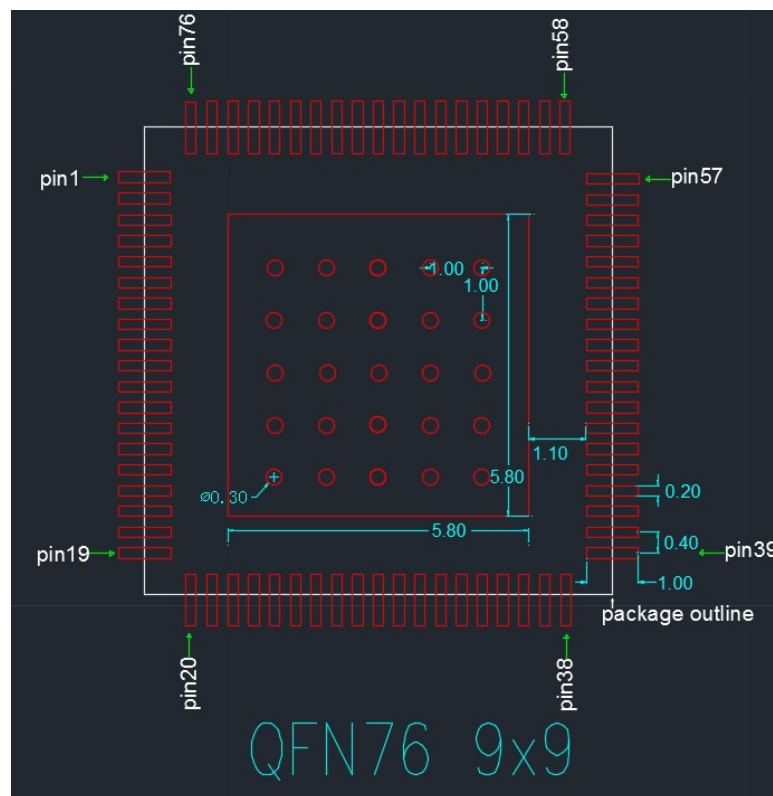


Symbol	Dimension in mm			Dimension in inch		
	Min	Nom	Max	Min	Nom	Max
A	0.80	0.85	0.90	0.031	0.033	0.035
A ₁	0.00	0.02	0.05	0.000	0.001	0.002
A ₂	---	0.65	0.70	---	0.026	0.028
A ₃	0.2 REF			0.008 REF		
b	0.15	0.20	0.25	0.006	0.008	0.010
D/E	9.00 BSC			0.354 BSC		
D ₂ /E ₂	5.13	5.38	5.63	0.202	0.212	0.222
e	0.40 BSC			0.016 BSC		
L	0.30	0.40	0.50	0.012	0.016	0.020

Notes :

1. CONTROLLING DIMENSION : MILLIMETER(mm).
2. REFERENCE DOCUMENTL : JEDEC MO-220.
3. BSC/REF tolerance +/-0.1mm

● **QFN76 pin (9x9) recommended PCB footprint dimensions**



Notes :

1. CONTROLLING DIMENSION : MILLIMETER(mm).

9. Ordering Information

Part Number	Package	Status
RTS5411T-GR	QFN-76 Green package	MP available
RTS5411T-GRT	QFN-76 Green package with Tape and Reel	MP available

X-ON Electronics

Largest Supplier of Electrical and Electronic Components

Click to view similar products for [USB Interface IC](#) category:

Click to view products by [Realtek](#) manufacturer:

Other Similar products are found below :

[CYUSB2304-68LTXI](#) [CYPD2120-24LQXI](#) [CYUSB3014-BZXCT](#) [CYWB0164BB-BZXI](#) [CYWB0224ABS-BZXI](#) [CP2102NP1174GM](#)
[CYPD2119-24LQXIT](#) [CY7C65621-56LTXIT](#) [CY7C65631-56LTXIT](#) [DPO2039DABQ-13](#) [CYPD5225-96BZXIT](#) [UPD720201K8-711-BAC-A](#)
[CYPD5235-96BZXIT](#) [CYPD3196-24LDXS](#) [UPD720115K8-611-BAK-A](#) [UPD720115K8-711-BAK-A](#) [UPD720211K8-711-BAL-A](#)
[PI2DPX1217XUAEX](#) [UPD720211K8-611-BAL-A](#) [CY7C65223D-32LTXI](#) [CYPD6127-48LQXIT](#) [WUSB3801Q-12/TR](#) [FT232BL-JSM](#)
[PL2303GC](#) [PL2586](#) [VL152-WLCSP](#) [CH344Q](#) [USB5744B-I/2GX01](#) [TUSB1044RNQR](#) [TPS25830AQCWRHBRQ1](#) [TUSB544IRNQR](#)
[TPS25830AQWRHBRQ1](#) [FP6606ACDW4](#) [CH334U](#) [CH9101U](#) [CH9101N](#) [CH334S](#) [ISOUSB211DPR](#) [CH348L](#) [RH7803](#) [XPD977D30A](#)
[RTS5411T-GR](#) [NB7NPQ1404E2MMUTWG](#) [FE1.1S-BSOP28BPTR](#) [CH344L](#) [CH9340K](#) [CH9101R](#) [TPS25730SRSMR](#) [CH348Q](#)
[TUSB1210BRHBTQ1](#)