

# Features

## LED DRIVER

- 25W Class II AC-DC LED Power Supply
- 500mA, 700mA, 1050mA or 1400mA Output
- Active Power Factor Correction >0.90
- Efficiency to 85%
- EN and UL

### Selection Guide

Part Number	Rated Power (W)	Output Current (mA)	Output Voltage (VDC)	Efficiency (typ.)
RACD25-500P	25	500	42 - 52	82%
RACD25-700P	25	700	21 - 36	85%
RACD25-1050P	25	1050	16 - 24	84%
RACD25-1400P	25	1400	12-18	83%

**NOT RECOMMENDED FOR NEW DESIGNS**

### Specifications (measured at 230VAC and 25°C ambient temperature)

Input Voltage Range	90-295 VAC or 127-417 VDC	
Input Frequency Range	47-63Hz	
Power Factor	Full Load, 230VAC	>0.90
	Full Load, 115VAC	>0.98
THD	Full Load, 115VAC/230VAC	12% max.
	Full Load, 277VAC	14% max.
Current Accuracy	700mA Version	±7%
	others	±8%
AC Input Current	115VAC	0.4A
	230VAC	0.2A
Inrush Current (<2ms)	264VAC	Cold Start 20A
Isolation Voltage	3.75kVAC / 1minute	
Short Circuit Protection	Continuous	
Over Voltage Protection	110% - 150%	
Over Temperature Protection	Rth Type	Internal Thermistor Auto-Recovery Mode
Vibration	10-500Hz, 2G, 60 Min. along X, Y and Z	
Storage Humidity	10% - 95% RH	
Operating Humidity	20% - 95% RH Non-Condensing	
Weight	220g	
Dimension	174.5 x 30.5 x 25mm	
Operating Temperature	-20°C to +50°C	
Storage Temperature	-40°C to +80°C	
Ripple & Noise	3V max.	
IP Rating	IP67	
Isolation Resistance	100MΩ / 500VDC at 25°C	
Safety Standards	EN61347-1 EN61347-2-13 UL8750 EN61000-3-2 Class C EN61000-4-2,3,4,5,6,11 EN61547 EN55015 FCC15	
MTBF (+25°C)	using MIL-HDBK 217F	200 x 10 <sup>3</sup> hours
Desing Lifetime		70 x 10 <sup>3</sup> hours

The use of a circuit breaker with C-characteristic is recommended.

**LIGHTLINE**  
AC/DC-Converter  
with 5 year Warranty

**RECOM**

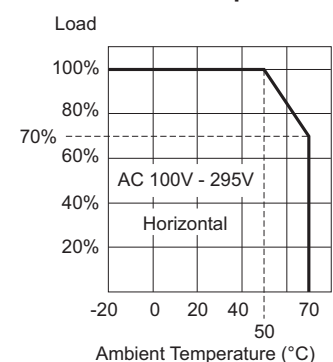
## 25 Watt PFC Single Output



**UL 8750 Certified**  
**EN 61347 Certified**

**RACD25-P**

## Derating-Graph (Ambient Temperature)



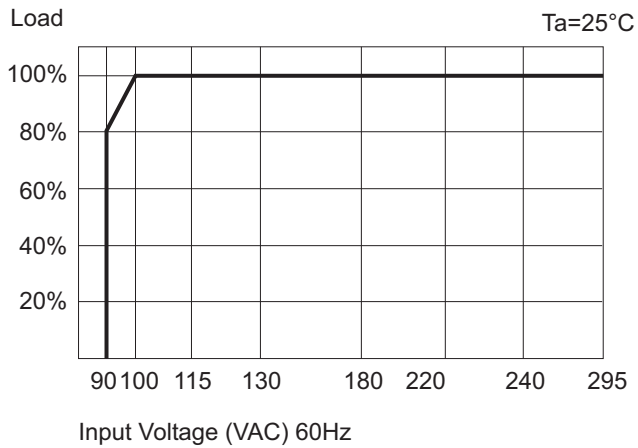
Note:

All LED Drivers may not be used without a load. They must be switched on the primary side only. Noncompliance may damage the LED or reduce its lifetime.

**Refer to Application Notes**

**Typical Characteristics**

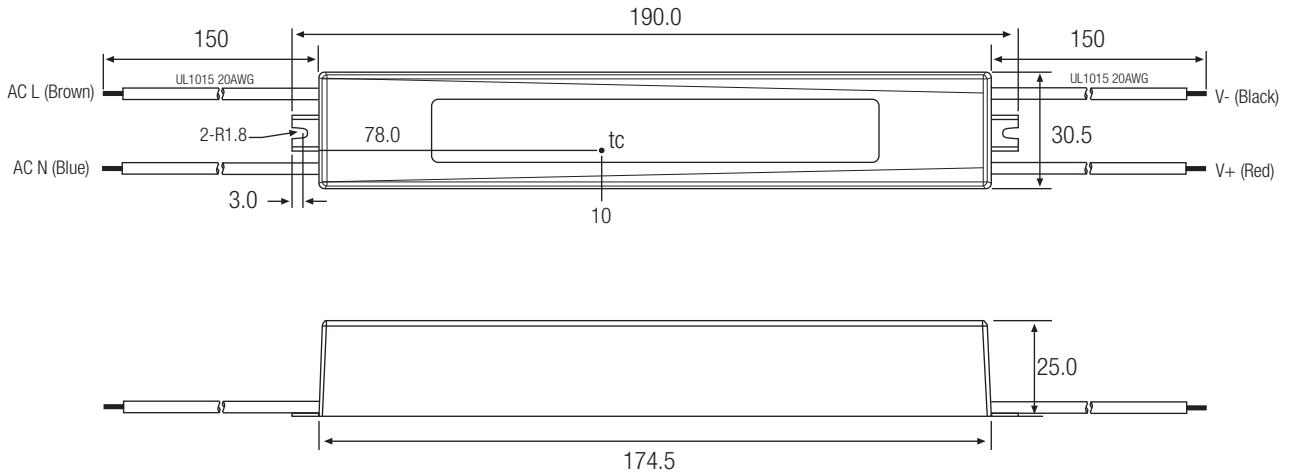
Input Voltage vs. Output Load



Maximum Number of LED drivers per circuit breakers

Condition	Circuit Breaker	Circuit Breaker Current			
		10A	16A	20A	25A
115VAC, 10hm 90° phase angle	Typ				
	C	32	48	57	72
230VAC, 10hm 90° phase angle	B	24	38	46	58
	C	38	62	74	92
277VAC, 10hm 90° phase angle	B	28	44	53	66
	C	44	71	84	106

**Package Style & Pinning**



The product information and specifications are subject to change without prior notice. RECOM products are not authorized for use in safety-critical applications (such as life support) without RECOM's explicit written consent. A safety-critical application is defined as an application where a failure of a RECOM product may reasonably be expected to endanger or cause loss of life, inflict bodily harm or damage property. The buyer shall indemnify and hold harmless RECOM, its affiliated companies and its representatives against any damage claims in connection with the unauthorized use of RECOM products in such safety-critical applications.

## X-ON Electronics

Largest Supplier of Electrical and Electronic Components

*Click to view similar products for [LED Power Supplies](#) category:*

*Click to view products by [RECOM POWER](#) manufacturer:*

Other Similar products are found below :

[ESS015W-1000-12](#) [EUC-075S105DT](#) [PDA-WIFI](#) [PIFC-K250F](#) [PITB-K222A](#) [ALD-514012PJ134](#) [LB240S24KH](#) [LMH020-SPLC-0000-0000001](#) [LMD600-0100-C1A7-7030000](#) [79534](#) [79535](#) [EUG-200S210DT](#) [ESS030W-1050-21](#) [ESS030W-0900-32](#) [BPOXL 4-12-035](#) [SLM160W-3.9-40-ZA](#) [ESS010W-0180-42](#) [ESS010W-0350-24](#) [ESS010W-0200-42](#) [PDA080B-1A0G](#) [ESS010W-0500-12](#) [PDA150B-S1A5G](#) [ZPS-20](#) [SLM140W-1.05-130-ZA](#) [ESS040W-1400-27](#) [ESS015W-0700-18](#) [ESS010E-0250-42](#) [EVM120W-2700-42-ECN2](#) [EDC-100S105SV-0007](#) [79278](#) [EUD-150S350DVA](#) [LWA320-C420-ARK-B](#) [50304](#) [OT FIT 50/220-240/300 D L](#) [OT FIT 35/220-240/350 D CS L](#) [OT FIT 65/220-240/350 D CS L](#) [ELEMENT 30/220-240/700 S](#) [LC 75W 100-400MA 1-10V LP EXC](#) [LCA 35W 150-700MA ONE4ALL LP PRE](#) [LCA 50W 100-400MA ONE4ALL LP PRE](#) [LCA 50W 350-1050MA ONE4ALL LP PRE](#) [LCA 50W 350-1050MA 2XCH LP PRE](#) [LCI 150/325-1050/300 O4A SL PRE](#) [LCA 75W 100-400MA ONE4ALL LP PRE](#) [LCA 45W 500-1400MA ONE4ALL SC PRE](#) [LC 50W 100-400MA FLEXC LP EXC](#) [LC 50W 350-1050MA FLEXC LP EXC](#) [LC 75W 350-1050MA FLEXC LP EXC](#) [LCA 75W 900-1800MA ONE4ALL LP PRE](#) [LCA 100W 250-700MA ONE4ALL LP PRE](#)