

# Features

- suitable for energy-saving lamps, dimmable LED lamps / drivers and low voltage halogen lamps with magnetic transformers
- with pressure two-way switch and thermal link
- Overtemperature protected

# Dimmer

## Description

The REDIM series offer dimmers that reliably operate with base loads from 7W. These dimmers and the RACT20 series LED drivers are ideally matched and provide a smooth dimming curve and deep dimming down to zero. The basic light level can be adjusted individually and easily for a customized lighting solution. The warranty is 5 years.

## Selection Guide

Part Number	Input Voltage Range (VAC)	Output Power (W/VA)
REDIM07	198-264	7-110
REDIM20	198-264	20-250

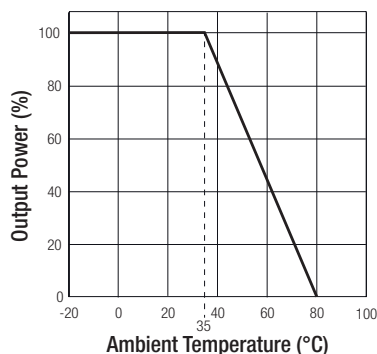
## Specifications (measured at T<sub>A</sub>= 25°C, nominal input voltage, rated load)

PROTECTION		
Parameter	Type	Value
Over Temperature Protection (OTP)		115°C, thermal shutdown
Input Fuse <sup>(1)</sup>	REDIM07 REDIM20	1A, slow blow 2A, slow blow
<b>Notes:</b> Note1: Each dimmer contains a spare fuse inside the black protective cover.		

## ENVIRONMENTAL

Parameter	Condition	Value
Operating Temperature Range max. Case Temperature Range	with derating	-20°C to +80C, Ambient 80°C max.

### Derating Graph



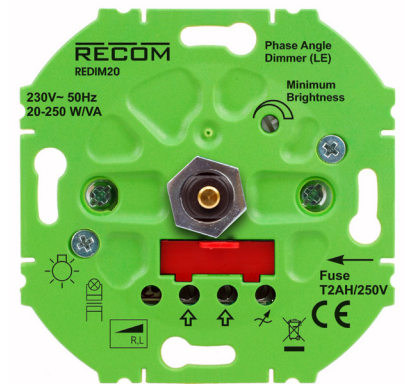
## SAFETY AND CERTIFICATIONS

Certificate Type (compliant)	Standard
Switches for household and similar fixed-electrical installations - General requirements	EN-60669-1:2008
Switches for household and similar fixed electrical installations - Particular requirements	EN-60669-2-1:2010



# REDIM

# Leading-edge Dimmer



EN60669-1 compliant  
EN60669-2-1 compliant

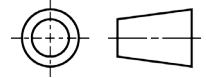
Refer to Applications Notes

Specifications (measured at  $T_A = 25^\circ\text{C}$ , nominal input voltage, rated load)

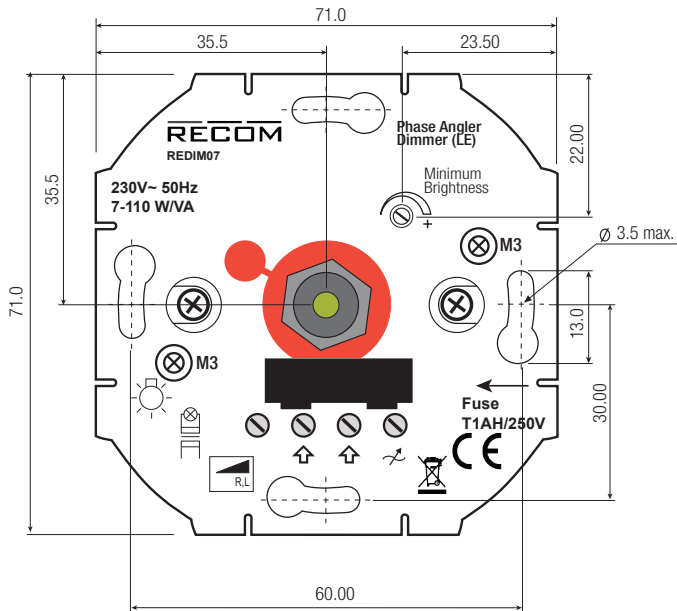
## DIMENSIONS and PHYSICAL CHARACTERISTICS

Parameter	Type	Value
Case Material		Plastic
Dimensions (LxWxH)		71.0 x 71.0 x 35mm
Weight		70g
Connection	Input Output	Screw Terinal (1.5-2.5mm <sup>2</sup> ) Screw Terinal (1.5-2.5mm <sup>2</sup> )

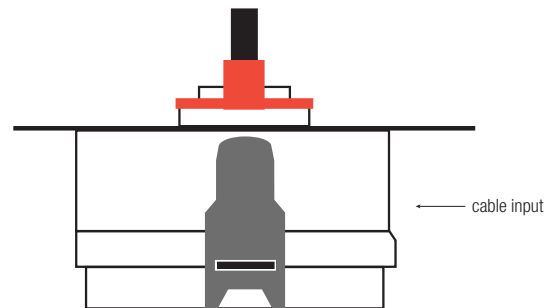
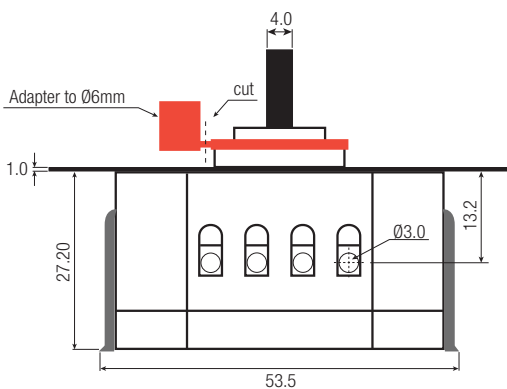
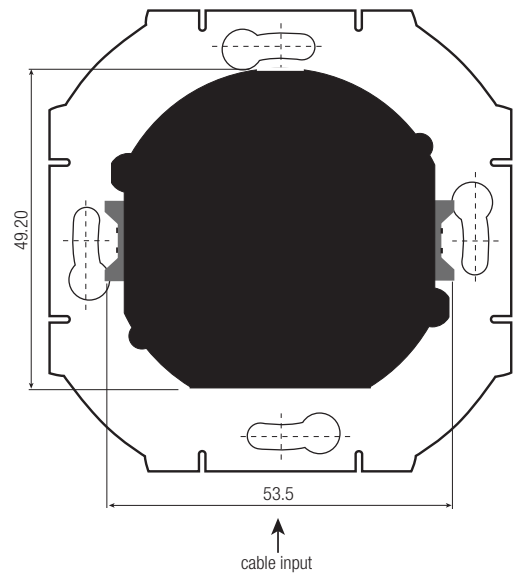
### Mechanical Dimensions



TOP VIEW



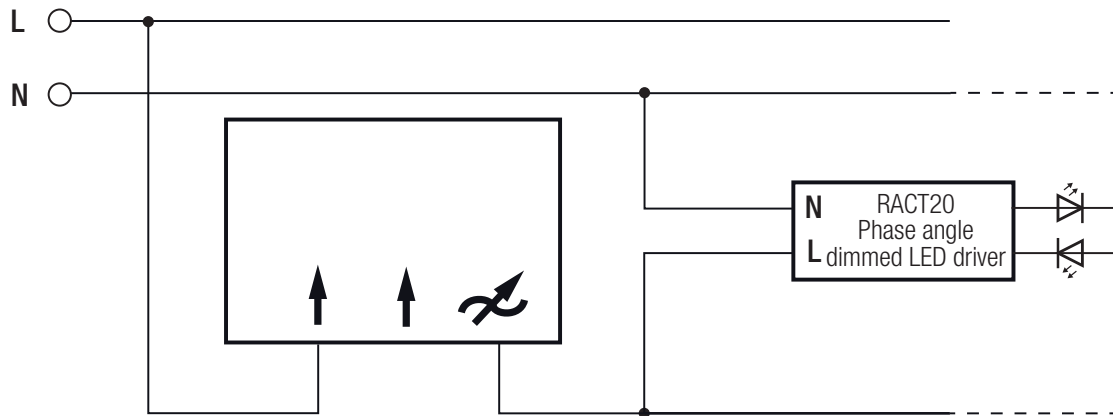
BOTTOM VIEW



Tolerance:  $\pm 0.5\text{mm}$

Specifications (measured at  $T_A= 25^{\circ}\text{C}$ , nominal input voltage, rated load)

**INSTALLATION**



REDIM07 - max. 5x RACT20  
RECIM20 - max. 12x RACT20

**Notes:**

Note2: To set the basic brightness, set the actuating button to the left stop minimum brightness). Now use a screw driver to set the desired basic brightness on the potentiometer. Pursuant to EN60699-2-1 the basic value should be set in such a way that the light visibly glows over the entire load range (at nominal voltage -10%) when it's set to dark position.

Note3: Dimmer designed for RACT20.

**PACKAGING INFORMATION**

Parameter	Type	Value
Packaging Dimension (LxWxH)	Cardboard Box	73 x 73 x 53mm
Packaging Quantity		1 pcs

## X-ON Electronics

Largest Supplier of Electrical and Electronic Components

*Click to view similar products for [LED Lighting Fixture Accessories](#) category:*

*Click to view products by [RECOM POWER](#) manufacturer:*

Other Similar products are found below :

[XVBC081](#) [1-2315539-1](#) [2306129-1](#) [180997-0001](#) [1-2213996-1](#) [4821](#) [2702312](#) [MC39-1J-UNNU](#) [X48V](#) [XF088](#) [XG085](#) [XJ078](#) [XK075](#)  
[XL073](#) [XN068](#) [XO065](#) [XP063](#) [XR058](#) [XQ060](#) [XH083](#) [XE090](#) [XS055](#) [XC095](#) [XT053](#) [XU050](#) [XV-TD](#) [4775](#) [5012](#) [5014](#) [LL01A00CSLB2](#)  
[LL01A00CWGB2](#) [1301130007](#) [1301120097](#) [1301120099](#) [1301120101](#) [1301120114](#) [1301120153](#) [1301120154](#) [1301120157](#) [1301120174](#)  
[1301120110](#) [1301120137](#) [1301120130](#) [1301860719](#) [1301120131](#) [1301120144](#) [1301120196](#) [1301850471](#) [2702313](#) [2702315](#)