

# RMOD400-W Series / Plug & Play E-Mobility

## 400W / Wide Input 16.8-56VDC / 33.6-96VDC

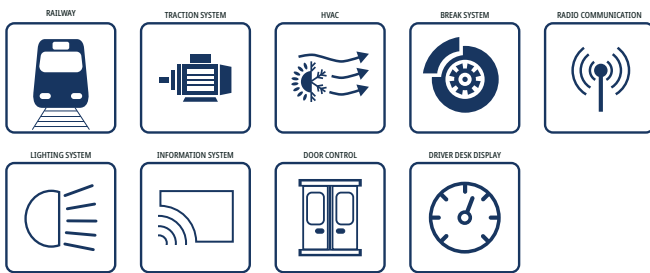
### FEATURES

- On-Board DC/DC Converter
- E-Mobility and industry vehicles
- Wide input voltage range for 24V/36V or 48V/80V
- Plug & Play, ready to use
- Chassis mount and base plate cooled
- Full power at ambient temperature up to 85°C
- Water and dust proof (IP69K), robust and reliable
- High and extremely constant efficiency
- Parallel operation without active current sharing
- High power density
- 2 years warranty



Dimensions (LxWxH): 203.0 x 115.0 x 61.0mm (8.0 x 4.53 x 2.4 inch)  
1700g (3.75 lbs)

### APPLICATIONS



### SAFETY & EMC



### DESCRIPTION

The RMOD families are extremely robust plug & play modules which are used to generate the low voltage network from a vehicle's traction battery. The ultra-wide input voltage range up to 56V or 125VDC covers all common battery voltages in the off-highway vehicle (OHV) segment. Thanks to the waterproof and dust proof housing construction, the devices can be connected mechanically and thermally directly to the chassis, i.e., at any point on the vehicle, and will therefore operate reliably even under the most adverse conditions. This solution is ideal for electric vehicles with nominal 24V...36V or 48V...80V battery-powered systems in "Off-Highway E-Mobility Applications" such as Material Handling, Forklift trucks, Golf cars, AGVs, Loaders, Construction vehicles, Airport equipment, People mover, Special vehicles, Transporters, Tractors, etc

### SELECTION GUIDE

Part Number	Input Voltage	Output Voltage	Output Current	Efficiency	Output Power
	Range [VDC]	nom. [VDC]	max. [A]	typ. <sup>(1)</sup> [%]	max. [W]
RMOD400-28-13SW	16.8-56	13	30.8	85	400
RMOD400-60-24SW	33.6-96	24	16.7	85	400

Note1: Efficiency is tested at nominal input and 50%-100% +25°C ambient

### MODEL NUMBERING



# RMOD400-W Series / Plug & Play E-Mobility

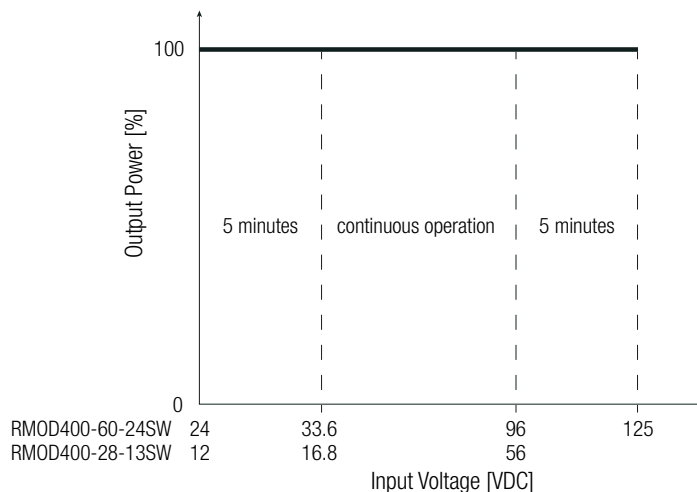
## 400W / Wide Input 16.8-56VDC / 33.6-96VDC



**BASIC CHARACTERISTICS** (measured @  $T_{AMB} = 25^{\circ}C$ , nom.  $V_{IN}$ , full load and after warm-up unless otherwise stated)

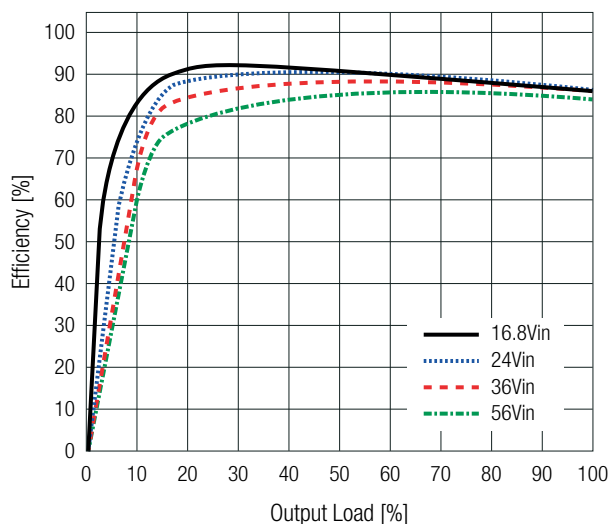
Parameter	Conditions		Min.	Typ.	Max.
Input Voltage Range	nom. $V_{IN} = 24, 36VDC$	RMOD400-28-13SW	16.8VDC		56VDC
	nom. $V_{IN} = 48, 80VDC$	RMOD400-60-24SW	33.6VDC		96VDC
	Extendend range: 5 minutes max. refer to „Input Voltage Range“	RMOD400-28-13SW	12VDC		16.8VDC
		RMOD400-60-24SW	24VDC		125VDC
Input Current	RMOD400-28-13SW				39A
	RMOD400-60-24SW				22A
Inrush Current					1.5A <sup>2</sup> s
Quiescent Current	nom. $V_{IN} = 80VDC$				45mA
Minimum Load			0%		
Start-up Time	RMOD400-28-13SW			300ms	
	RMOD400-60-24SW			150ms	
Rise Time	RMOD400-28-13SW			100ms	
	RMOD400-60-24SW			50ms	
Internal Operating Frequency	MAIN power stage			130kHz	
	auxiliary			300kHz	
Output Ripple and Noise				100mVp-p	500mVp-p

Input Voltage Range

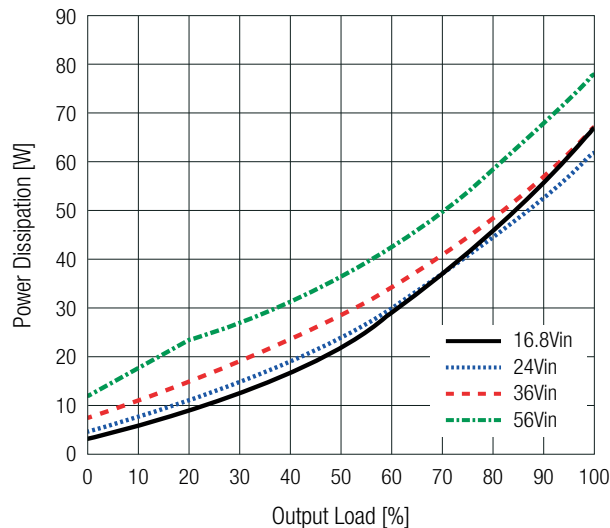


### RMOD400-28-13SW

Efficiency vs. Load



Power Dissipation vs. Load



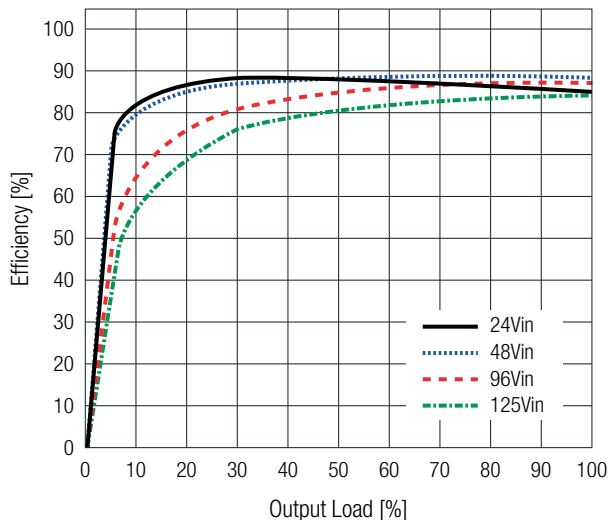
# RMOD400-W Series / Plug & Play E-Mobility

## 400W / Wide Input 16.8-56VDC / 33.6-96VDC

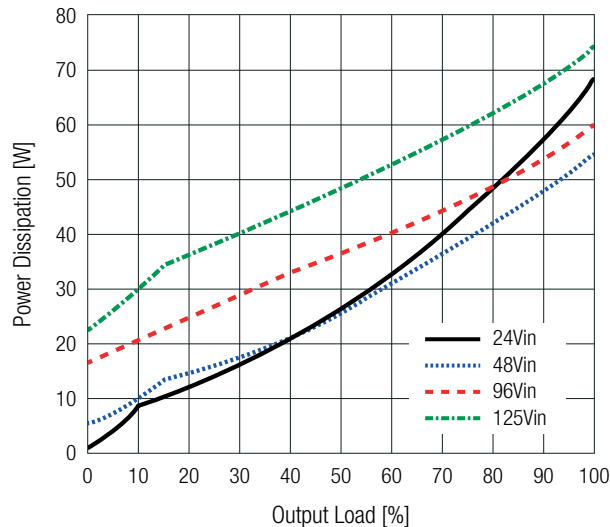
**BASIC CHARACTERISTICS** (measured @  $T_{AMB}= 25^{\circ}C$ , nom.  $V_{IN}$ , full load and after warm-up unless otherwise stated)

### RMOD400-60-24SW

Efficiency vs. Load



Power Dissipation vs. Load

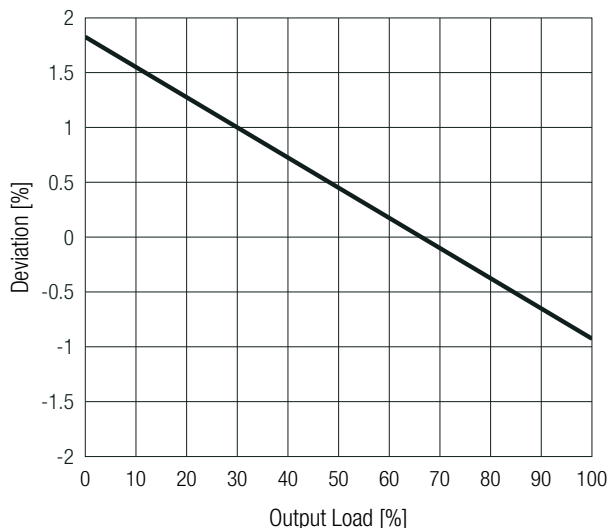


**REGULATIONS** (measured @  $T_{AMB}= 25^{\circ}C$ , nom.  $V_{IN}$ , full load and after warm-up unless otherwise stated)

Parameter	Conditions		Value
Output Accuracy			±4.0% max.
Line Regulation	low line to high line, full load	$V_{IN}= 16.8-56VDC$ and $33.6-96VDC$	±1.0% max.
		$V_{IN}= 12-16.8VDC$ and $24-125VDC$	±3.0% max.
Load Regulation	10-90% load		4.0% typ.
Transient Response	RMOD400-28-13SW	10-90% load, $V_{IN}= 16.8-56VDC$	0.65VDC
	RMOD400-60-24SW	10-90% load, $V_{IN}= 33.6-96VDC$	1.92VDC
	recovery time		100ms typ.

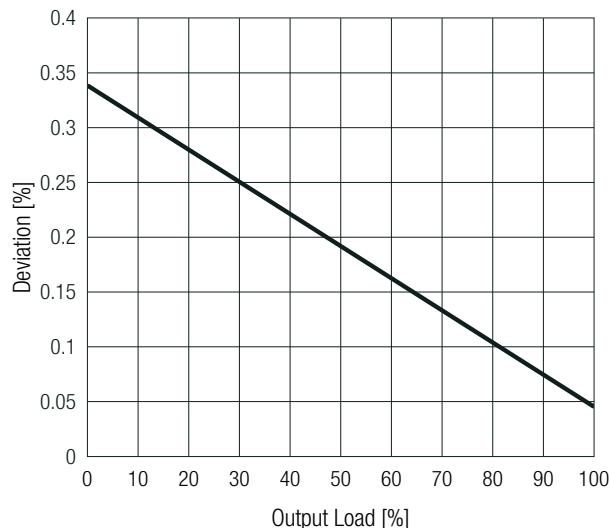
#### RMOD400-28-13SW

Deviation vs. Load  
(nom.  $V_{IN}$ )



#### RMOD400-60-24SW

Deviation vs. Load  
(nom.  $V_{IN}$ )



# RMOD400-W Series / Plug & Play E-Mobility

## 400W / Wide Input 16.8-56VDC / 33.6-96VDC

### PROTECTIONS (measured @ $T_{AMB} = 25^{\circ}\text{C}$ , nom. $V_{IN}$ , full load and after warm-up unless otherwise stated)

Parameter	Type	Value
Short Circuit Protection (SCP)	auto recovery	current limitation
Input Reverse Polarity Protection	only for RMOD400-28-13SW	-50VDC max.
Over Current Protection (OCP)	auto recovery	RMOD400-28-13SW 40.5A typ.; current limitation
		RMOD400-60-24SW 21A typ.; current limitation
Over Temperature Protection (OTP)		yes
Isolation Voltage <sup>(2)</sup>	I/P to O/P; I/P to case; O/P to case; 1 minute	2.5kVDC
Isolation Resistance		10M $\Omega$ min.
Insulation Grade		basic

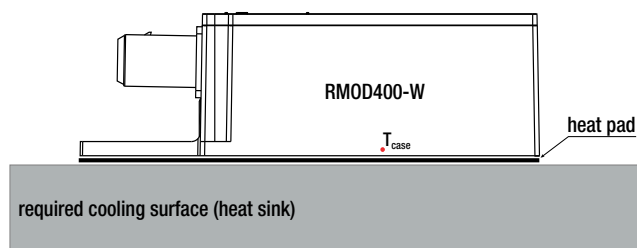
Note2: For repeated Hi-Pot testing, reduce the time and/or the test voltage

### ENVIRONMENTAL (measured @ $T_{AMB} = 25^{\circ}\text{C}$ , nom. $V_{IN}$ , full load and after warm-up unless otherwise stated)

Parameter	Conditions	Value
Operating Ambient Temperature Range <sup>(3)</sup>	refer to „Thermal Consideration“	-35 $^{\circ}\text{C}$ to +85 $^{\circ}\text{C}$
Operating Altitude		3000m
Pollution Degree		PD3
IP Rating		IP69K
MTBF	according to SR-332; $T_{AMB} = +50^{\circ}\text{C}$	RMOD400-28-13SW 500 x 10 <sup>3</sup> hours
		RMOD400-60-24SW 1000 x 10 <sup>3</sup> hours

Note3: For operation above +70 $^{\circ}\text{C}$  ambient, take care about sufficient cooling (never exceed max. allowed base plate temperature = 70 $^{\circ}\text{C}$ )

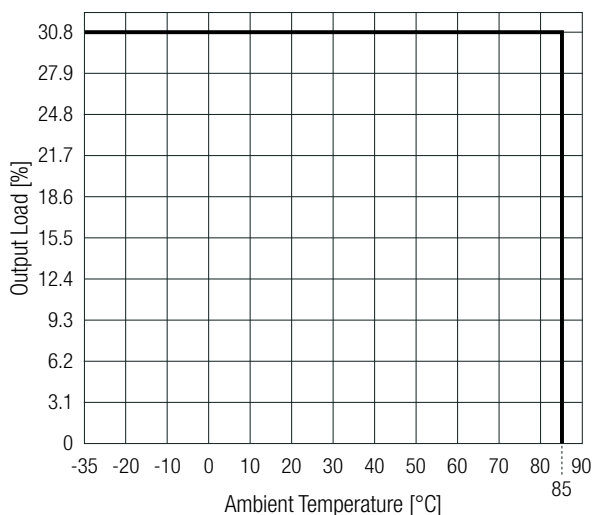
### Thermal Consideration



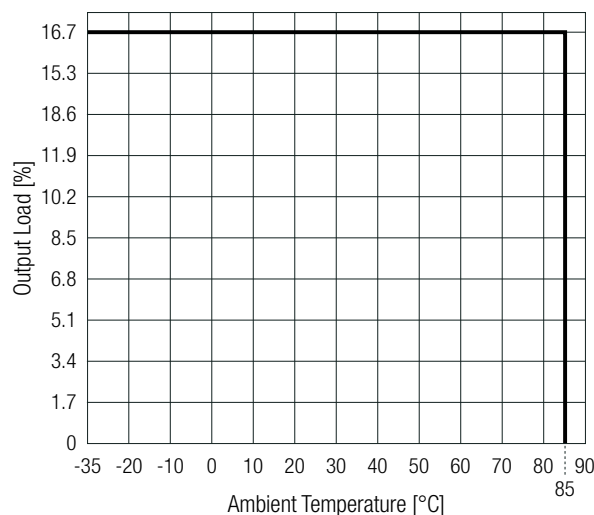
$T_{amb}$

natural convection 0.1m/s

RMOD400-28-13SW



RMOD400-60-24SW



The module can be used in enclosed applications with full load, as long as the cooling is sufficient to keep the baseplate temperature at  $T_{CASE}$  below 70 $^{\circ}\text{C}$ . The surrounding temperature should not exceed 85 $^{\circ}\text{C}$ .

# RMOD400-W Series / Plug & Play E-Mobility

## 400W / Wide Input 16.8-56VDC / 33.6-96VDC

### ENVIRONMENTAL RMOD400-28-13SW

Parameter	Condition	Standard
Temperature Change	duration: 240 hours and 20 cycles minimum; time at -35°C/85°C <30 minutes	EN60068-2-14
Constant Temperature- warm	duration: 96 hours, ambient: 85°C	EN60068-2-2
Temperature Shock	duration: 20 cycles; operation mode: in operation test temperature: 85°C test duration: 1 hour fully tempered + 15 minutes transfer duration: < 5 seconds test medium: water 0°C, 5% dissolved salt content time under water: 5 minutes water volumes: at least 5 times the component volume no water ingress	EN60068-2-14
Humidity/Heat Cycle	max. air temperature: 55°C; number of cycles: 6 operation mode: 1 hour in operation 1 hour without function air humidity: 93%; cycles duration: 24 hours temperature change ≥ 5K/min; minimum air temperature 25°C	EN60068-2-30
Vibrations, Sinusoidal	shock load: 10g; frequency range: 10-500Hz length of time subject to load: 3x9 hours; number of cycles: 50 shock form: sinusoidal; operation mode: operational	EN60068-2-6
Continuous Shock	shock load: 10g, duration: 16ms number of impacts: 10000 shocks/axis	EN60068-2-29
Shock	shock load: 30g, duration: 6ms length of time subject to load: 3x6 directions	EN60068-2-27
Salt Spray	at 35°C for 4 hours	EN60068-2-11

### ENVIRONMENTAL RMOD400-60-24SW

Parameter	Condition	Standard
Temperature Change	1 cycle: -25 °C (30 mins) and 70 °C (20 mins); Transition 5 °C/min. 100 cycles. Operational	EN60068-2-14
Constant Temperature- warm	duration: 21 days, ambient: 70°C	EN60068-2-2
Temperature Shock	Duration: 20 cycles Operation mode: Non-operating Test temperature: Chamber 1: 75 °C; Chamber 2: -30 °C Test duration: 1 hr per chamber Transfer duration: < 10 s	EN60068-2-14
Humidity/Heat Cycle	Max air temperature: 55 °C Number of cycles: 2 Cycles duration: 24 h	EN60068-2-30
Vibrations, Sinusoidal	Shock load: 5G Frequency range: (10-500) Hz Length of time subject to load: 3 axes, 2 hr (10 cycles) per axis Shock form: sinusoidal Operation mode: operational	EN60068-2-6
Continuous Shock	Shock load: 10G Duration: 16 ms Number of impacts: 1000 shocks/axis	EN60068-2-29
Shock	Shock load: 30G Duration: 11 ms 3 shocks per direction, 6 directions	EN60068-2-27
Salt Spray	at 35°C for 96 hours	EN60068-2-11

### SAFETY & CERTIFICATIONS

Certificate Type (Safety)	Report Number	Standard
Audio/Video, information and communication technology equipment - Part1: Safety requirements 2nd Edition	E196683	UL62368-1:2014 2nd Edition CAN/CSA-C22.2 No. 62368-1-14 2nd Edition
Audio/Video, information and communication technology equipment - Part1: Safety requirements 2nd Edition		IEC62368-1:2014 2nd Edition EN62368-1:2014+A11:2017
RoHS2		RoHS 2011/65/EU + AM2015/863

# RMOD400-W Series / Plug & Play E-Mobility

## 400W / Wide Input 16.8-56VDC / 33.6-96VDC

### SAFETY & CERTIFICATIONS

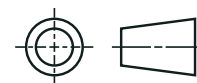
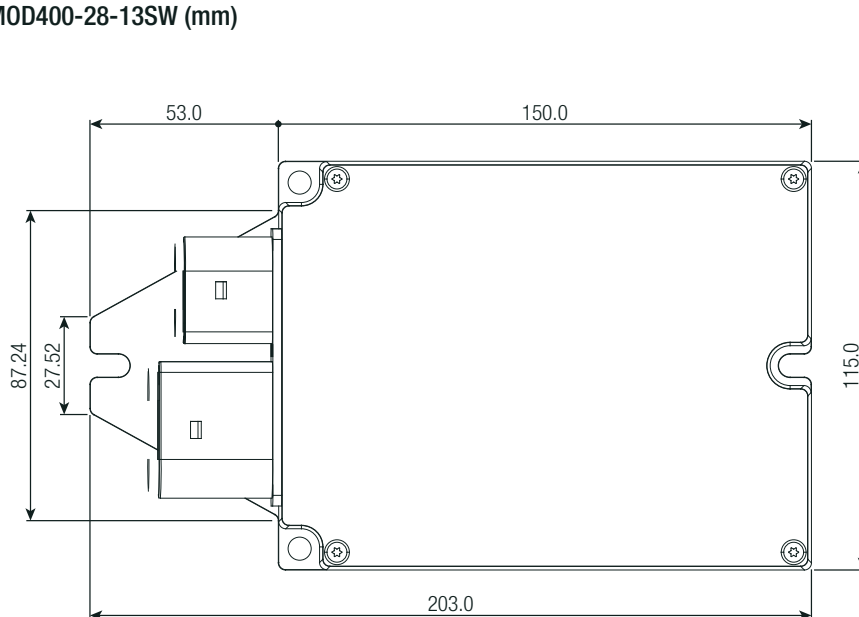
EMC Compliance for RMOD400-28-13SW	Condition	Standard
Industrial trucks - Electromagnetic compatibility		EN12895
Vehicles, boats and internal combustion engines - Radio disturbance characteristics - Limits and methods of measurement for the protection of on-board receivers		CISPR25 / EN55025
Fast Transient and Burst Immunity		EN61000-4-4
Road vehicles - Test methods for electrical disturbances from electrostatic discharge		ISO 10605
Road vehicles - Component test methods for electrical disturbances from narrowband radiated electromagnetic energy - Part 2: Absorber-lined shielded enclosure		ISO 11452-2
Road vehicles - Component test methods for electrical disturbances from narrowband radiated electromagnetic energy - Part 4: Harness excitation methods		ISO 11452-4
Road vehicles - Component test methods for electrical disturbances from narrowband radiated electromagnetic energy - Part 8: Immunity to magnetic fields		ISO 11452-8

EMC Compliance for RMOD400-60-24SW	Condition	Standard
Industrial trucks - Electromagnetic compatibility		EN12895
Vehicles, boats and internal combustion engines - Radio disturbance characteristics - Limits and methods of measurement for the protection of on-board receivers		CISPR25 / EN55025
ESD Electrostatic Discharge Immunity Test		EN61000-4-2
Radiated, radio-frequency, electromagnetic field immunity test		EN61000-4-3
Fast Transient and Burst Immunity		EN61000-4-4
Surge Immunity		EN61000-4-5
Immunity to conducted disturbances, induced by radio-frequency fields		EN61000-4-6
Power Magnetic Field Immunity		EN61000-4-8

### DIMENSION & PHYSICAL CHARACTERISTICS

Parameter	Type	Value
Material	case	aluminum
Dimension (LxWxH)		203.0 x 115.0 x 61.0mm 8.0 x 4.53 x 2.4 inch
Weight	RMOD400-28-13SW	1700g typ. 3.75 lbs
	RMOD400-60-24SW	1500g typ. 3.3 lbs

Dimension Drawing RMOD400-28-13SW (mm)



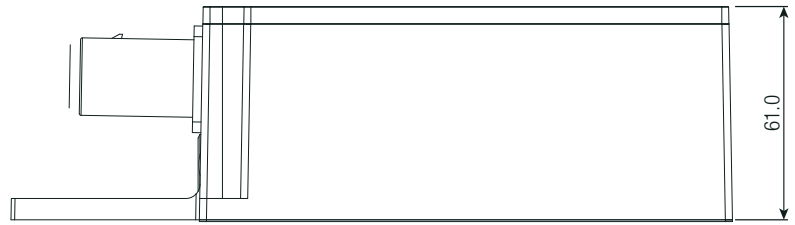
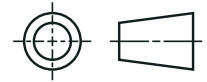
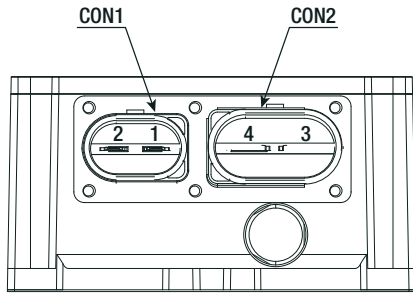
Tolerance: ±0.5mm

# RMOD400-W Series / Plug & Play E-Mobility

## 400W / Wide Input 16.8-56VDC / 33.6-96VDC

### DIMENSION & PHYSICAL CHARACTERISTICS

Dimension Drawing RMOD400-28-13SW (mm)



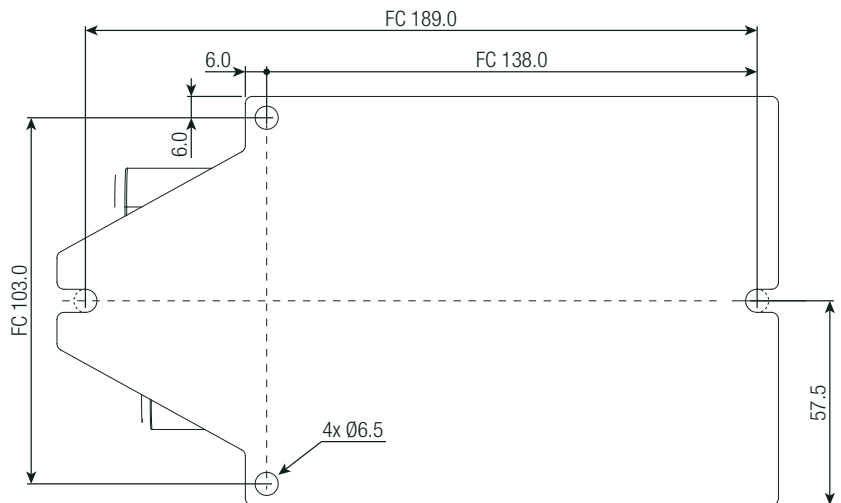
**Connector Information**

Connector	#	Function
DC Input CON1	1	+V <sub>IN</sub>
	2	-V <sub>IN</sub>
DC Output CON2	3	-V <sub>OUT</sub>
	4	+V <sub>OUT</sub>

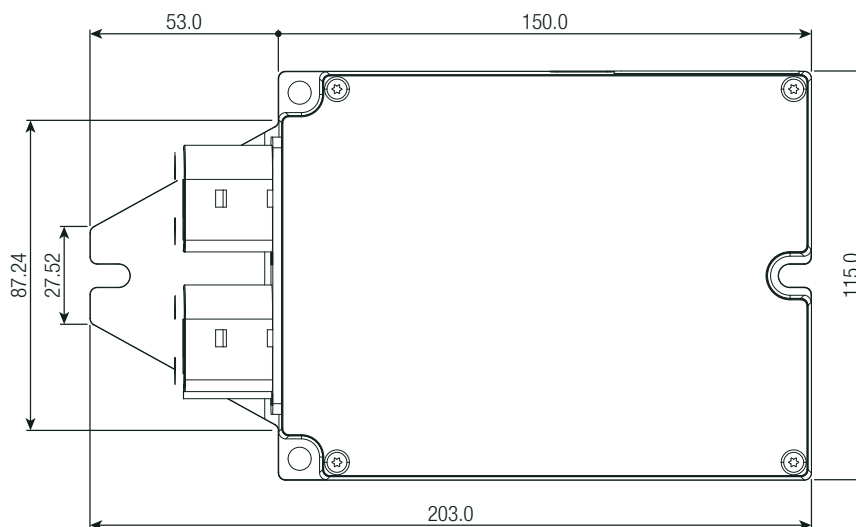
FC= fixing centers

**Compatible Connector**

Connector	Housing
DC Input CON1	FEP 42122900
DC Output CON2	FEP 42161000



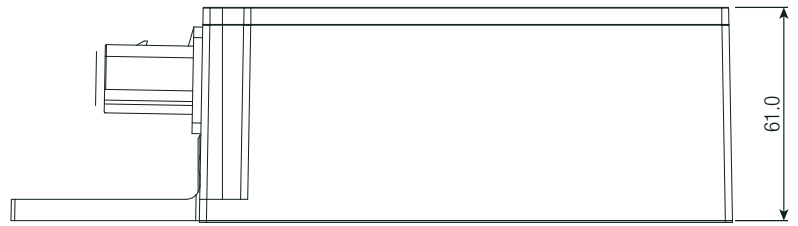
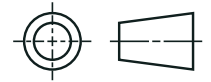
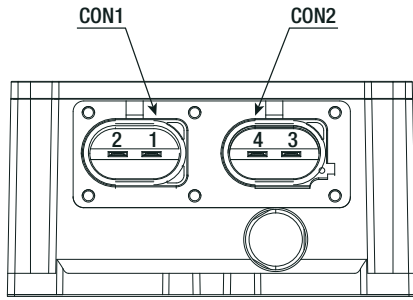
Dimension Drawing RMOD400-60-24SW (mm)



Tolerance: ±0.5mm

## DIMENSION & PHYSICAL CHARACTERISTICS

Dimension Drawing RMOD400-60-24SW (mm)



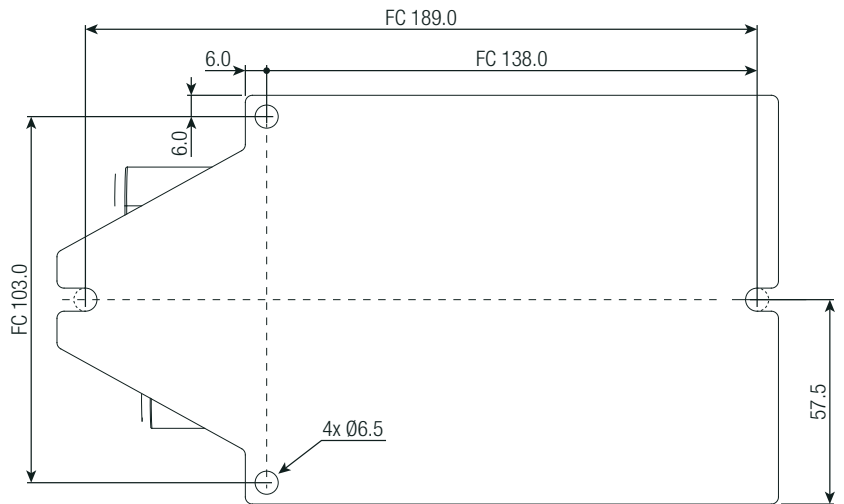
**Connector Information**

Connector	#	Function
DC Input CON1	1	+V <sub>IN</sub>
	2	-V <sub>IN</sub>
DC Output CON2	3	-V <sub>OUT</sub>
	4	+V <sub>OUT</sub>

FC= fixing centers

**Compatible Connector**

Connector	Housing
DC Input CON1	FEP 42122900
DC Output CON2	FEP 42123400

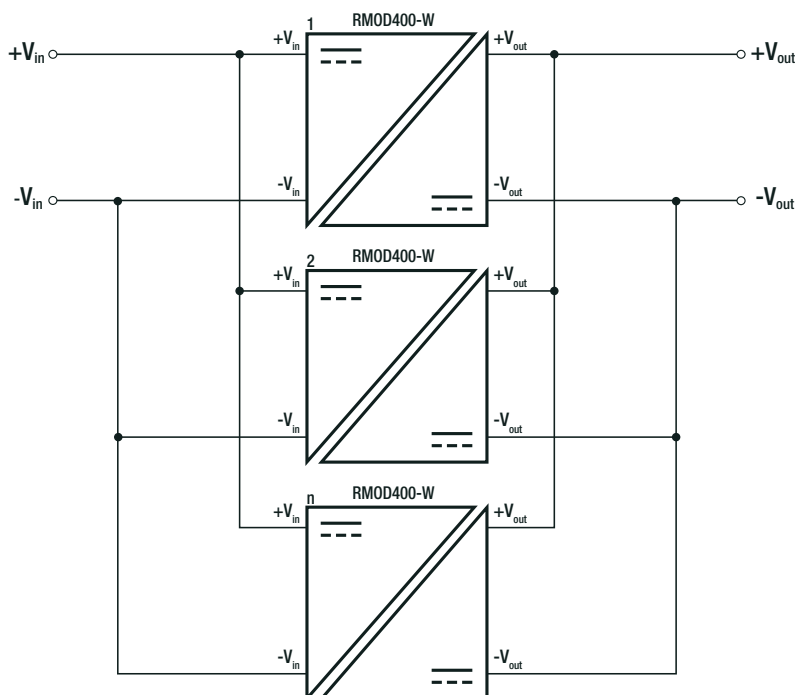


Tolerance: ±0.5mm

## INSTALLATION & APPLICATION

### Parallel Operation

Parallel operation is possible with all combinations of DC/DC converter versions providing they have the same rated output voltage. There is no active current sharing and therefore the units connected in parallel could be contributing different amounts to the total load current.





# RMOD400-W Series / Plug & Play E-Mobility

## 400W / Wide Input 16.8-56VDC / 33.6-96VDC

### PACKAGING INFORMATION

Parameter	Type	Value
Packaging Dimension (LxWxH)	cardboard box	788.0 x 594.0 x 99.0mm
Packaging Quantity		10pcs
Storage Temperature Range		-40°C to +85°C
Storage Humidity		95% max.

The product information and specifications may be subject to changes even without prior written notice. The product has been designed for various applications; its suitability lies in the responsibility of each customer. The products are not authorized for use in safety-critical applications without RECOM's explicit written consent. A safety-critical application is an application where a failure may reasonably be expected to endanger or cause loss of life, inflict bodily harm or damage property. The applicant shall indemnify and hold harmless RECOM, its affiliated companies and its representatives against any damage claims in connection with the unauthorized use of RECOM products in such safety-critical applications.

## X-ON Electronics

Largest Supplier of Electrical and Electronic Components

*Click to view similar products for [Isolated DC/DC Converters - Chassis Mount](#) category:*

*Click to view products by [RECOM POWER](#) manufacturer:*

Other Similar products are found below :

[RPS8-350ATX-XE](#) [AK-1615-7R](#) [EBC4050N042N75](#) [FK1601-7RT](#) [AM3040-9G](#) [BQ2660-9RF](#) [B62SR24125CC](#) [B40SR12424CC](#)  
[VTD24SC24-O](#) [VTB05SC110-O](#) [B62SR13722AC](#) [TMDC 20-4811](#) [TMDC 20-4815](#) [TMDC 40-2411](#) [TMDC 40-4811](#) [TMDC 60-2411](#)  
[TMDC 60-4815](#) [RSD-300D-5](#) [STMGFS152412](#) [TMDC 20-2411](#) [TMDC 20-2412](#) [TMDC 20-2418](#) [TMDC 60-4811](#) [TMDC 60-4812](#) [TMDC](#)  
[60-4818](#) [VHK150W-Q24-S48](#) [EQ2001-9RG](#) [SD-100A-12](#) [RSD-30G-3.3](#) [RSD-30H-3.3](#) [RSD-30H-5](#) [RSD-30L-3.3](#) [RSD-30L-5](#) [RSD-60G-5](#)  
[RSD-60H-24](#) [RSD-60H-3.3](#) [RSD-60H-5](#) [RSD-30G-5](#) [VHK200W-Q24-S12](#) [RSD-60L-5](#) [MGFS32412](#) [VHK150W-Q24-S12](#) [TEQ 300-](#)  
[7216WIR](#) [MGFS32415](#) [MGFS3243R3](#) [PS8-250ATX-ZE](#) [RPS8-750ATX-XE](#) [PS8-300ATX-ZBE](#) [RPM40-2412DG](#) [TEQ 300-7215WIR](#)