

SURFACE MOUNT SCHOTTKY BARRIER RECTIFIER

VOLTAGE RANGE 20 to 40 Volts CURRENT 3.0 Ampere

FEATURES

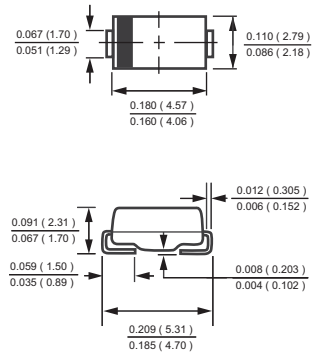
- * Ideal for surface mounted applications
- * Low leakage current
- * Metallurgically bonded construction
- * Mounting position: Any
- * Weight: 0.24 gram

MECHANICAL DATA

- * Epoxy: Device has UL flammability classification 94V-0



DO-214AC



Dimensions in inches and (millimeters)

MAXIMUM RATINGS AND ELECTRICAL CHARACTERISTICS

Ratings at 25 °C ambient temperature unless otherwise specified.
Single phase, half wave, 60 Hz, resistive or inductive load.
For capacitive load, derate current by 20%.

MAXIMUM RATINGS (@ TA=25 °C unless otherwise noted)

RATINGS	SYMBOL	FM5820A	FM5821A	FM5822A	UNITS
Maximum Recurrent Peak Reverse Voltage	V _{RRM}	20	30	40	Volts
Maximum RMS Voltage	V _{RMS}	14	21	28	Volts
Maximum DC Blocking Voltage	V _{DC}	20	30	40	Volts
Maximum Average Forward Rectified Current at Derating Lead Temperature	I _O	3.0			Amps
Peak Forward Surge Current 8.3 ms single half sine-wave superimposed on rated load (JEDEC method)	I _{FSM}	100			Amps
Typical Current Squared Time	I ² T	41.5			A ² S
Non-repetitive avalanche energy IRRM=1A, PW=2us, f= 1 kHz, Ind. 12mH	E _{AS}	6.0			mJ
Typical Thermal Resistance (Note 3)	R _{θJA}	50			°C/W
	R _{θJL}	14			
Typical Junction Capacitance (Note 1)	C _J	200			pF
Operating Temperature Range	T _J	150			°C
Storage Temperature Range	T _{STG}	-55 to + 150			°C

ELECTRICAL CHARACTERISTICS (@TA=25 °C unless otherwise noted)

CHARACTERISTICS	SYMBOL	FM5820A	FM5821A	FM5822A	UNITS
Maximum Instantaneous Forward Voltage at 3.0A DC	V _F	.46			Volts
Maximum Average Reverse Current at Rated DC Blocking Voltage	@T _A = 25°C	80			uAmps
	@T _A = 125°C	10			mAmps

- NOTES :
1. Measured at 1 MHz and applied reverse voltage of 4.0 volts.
 2. "Fully ROHS compliant", "100% Sn plating (Pb-free)".
 3. Thermal Resistance : Mounted on PCB.
 4. P/N suffix V means AEC-Q101 qualified

RATING AND CHARACTERISTICS CURVES (FM5820A THRU FM5822A)

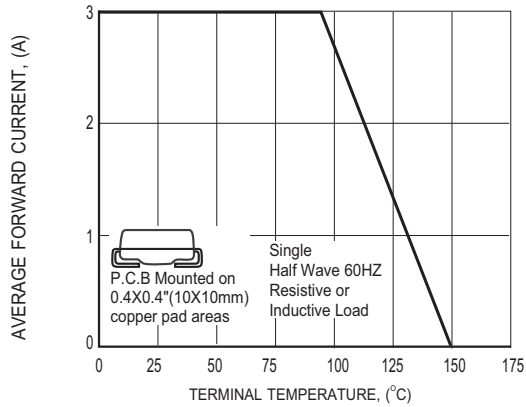


FIG.1 TYPICAL FORWARD CURRENT DERATING CURVE

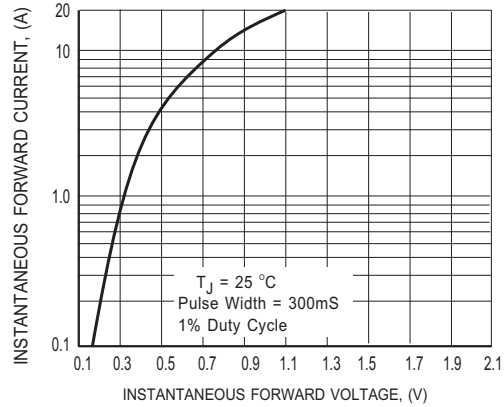


FIG.2 MAXIMUM INSTANTANEOUS FORWARD CHARACTERISTICS

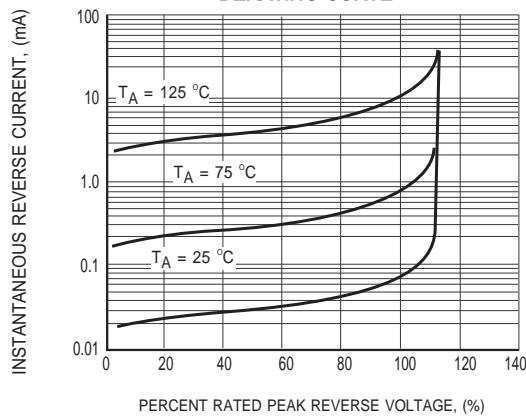


FIG.3 MAXIMUM REVERSE CHARACTERISTICS

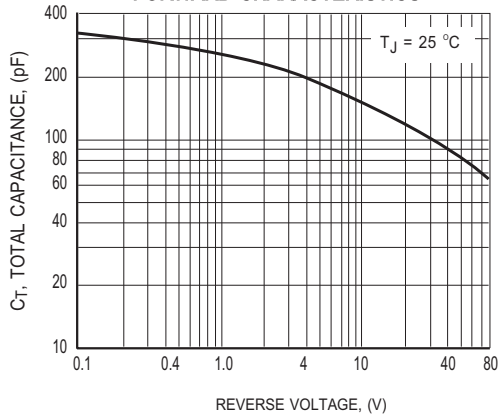


FIG.4 TYPICAL JUNCTION CAPACITANCE

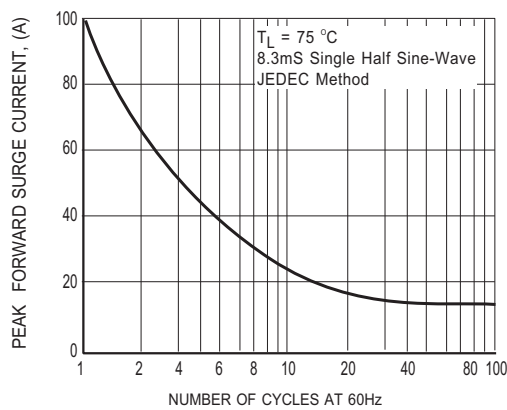
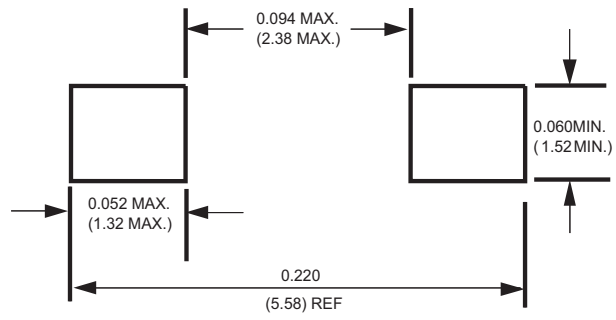


FIG.5 MAXIMUM NON-REPETITIVE FORWARD SURGE CURRENT

Mounting Pad Layout



Dimensions in inches and (millimeters)

PACKAGING OF DIODE AND BRIDGE RECTIFIERS

REEL PACK

PACKAGE	PACKING CODE	EA PER REEL	EA PER INNER BOX	COMPONENT SPACE (mm)	TAPE SPACE (mm)	REEL DIA (mm)	CARTON SIZE (mm)	EA PER CARTON	GROSS WEIGHT(Kg)
SMA	-T	1,500	6,000	---	---	178	390*205*310	48,000	8.40
SMA	-W	5,000	10,000	---	---	330	360*355*360	80,000	14.20

DISCLAIMER NOTICE

Rectron Inc reserves the right to make changes without notice to any product specification herein, to make corrections, modifications, enhancements or other changes. Rectron Inc or anyone on its behalf assumes no responsibility or liability for any errors or inaccuracies. Data sheet specifications and its information contained are intended to provide a product description only. "Typical" parameters which may be included on RECTRON data sheets and/ or specifications can and do vary in different applications and actual performance may vary over time. Rectron Inc does not assume any liability arising out of the application or use of any product or circuit.

Rectron products are not designed, intended or authorized for use in medical, life-saving implant or other applications intended for life-sustaining or other related applications where a failure or malfunction of component or circuitry may directly or indirectly cause injury or threaten a life without expressed written approval of Rectron Inc. Customers using or selling Rectron components for use in such applications do so at their own risk and shall agree to fully indemnify Rectron Inc and its subsidiaries harmless against all claims, damages and expenditures.

X-ON Electronics

Largest Supplier of Electrical and Electronic Components

Click to view similar products for [Rectron](#) manufacturer:

Other Similar products are found below :

[1N5393-B](#) [BR86](#) [MP156](#) [RC202](#) [RS2506M](#) [SPA2003-B-D-A01](#) [6A1-T](#) [RB157](#) [BR254](#)
[MP156W](#) [6A4](#) [RS403L](#) [BR310](#) [MP358](#) [MP158](#) [RS1503M](#) [ZMM5257B](#) [RL851-B](#)
[HVP8](#) [MP254W](#) [RS2004M](#) [1S60-B](#) [HER208G-B](#) [BR3505](#) [HVP10](#) [HER103G-B](#) [BR32](#)
[FR102-T](#) [MP351](#) [RS402L](#) [RS104](#) [MP251](#) [SR320](#) [HER802](#) [RS1001M](#) [MP352](#)
[RL1N1400F-B](#) [6A10-T](#) [BR1010](#) [6A6-B](#) [BR354](#) [MP258W](#) [R2000F-B](#) [HVP12](#) [RS804M](#)
[RS2001M](#) [MDA202G](#) [MP3505](#) [EDB104S-T](#) [FR604](#)