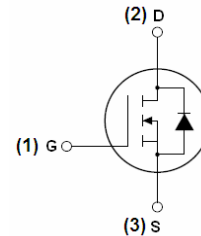


## N-Channel Super Trench Power MOSFET

### Description

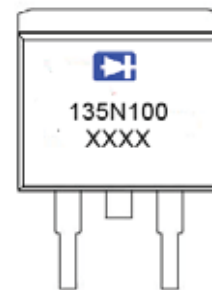
The RM135N100HD uses **Super Trench** technology that is uniquely optimized to provide the most efficient high frequency switching performance. Both conduction and switching power losses are minimized due to an extremely low combination of  $R_{DS(ON)}$  and  $Q_g$ . This device is ideal for high-frequency switching and synchronous rectification.



Schematic diagram

### General Features

- $V_{DS} = 100V, I_D = 135A$   
 $R_{DS(ON)} < 4.6m\Omega @ V_{GS} = 10V$
- Excellent gate charge x  $R_{DS(on)}$  product
- Very low on-resistance  $R_{DS(on)}$
- 175 °C operating temperature
- Pb-free lead plating
- 100% UIS tested



Marking and pin assignment

### Application

- DC/DC Converter
- Ideal for high-frequency switching and synchronous rectification
- P/N suffix V means AEC-Q101 qualified, e.g:RM135N100HDV
- Halogen-free

**100% UIS TESTED!**  
**Δ 100% Vds TESTED!**



TO-263-2L top view

### Package Marking and Ordering Information

Device Marking	Device	Device Package	Reel Size	Tape width	Quantity
135N100	RM135N100HD	TO-263-2L	-	-	-

### Absolute Maximum Ratings ( $T_C = 25^\circ C$ unless otherwise noted)

Parameter	Symbol	Limit	Unit
Drain-Source Voltage	$V_{DS}$	100	V
Gate-Source Voltage	$V_{GS}$	$\pm 20$	V
Drain Current-Continuous (Silicon Limited)	$I_D$	143	A
Drain Current-Continuous (Package Limited)	$I_D$	135	A
Drain Current-Continuous ( $T_C = 100^\circ C$ )	$I_D(100^\circ C)$	102	A
Pulsed Drain Current	$I_{DM}$	500	A
Maximum Power Dissipation	$P_D$	210	W
Derating factor		1.4	W/ $^\circ C$
Single pulse avalanche energy <sup>(Note 5)</sup>	$E_{AS}$	1050	mJ
Operating Junction and Storage Temperature Range	$T_J, T_{STG}$	-55 To 175	$^\circ C$

## Thermal Characteristic

Thermal Resistance, Junction-to-Case <sup>(Note 2)</sup>	$R_{\theta JC}$	0.71	$^{\circ}\text{C/W}$
----------------------------------------------------------	-----------------	------	----------------------

## Electrical Characteristics ( $T_C=25^{\circ}\text{C}$ unless otherwise noted)

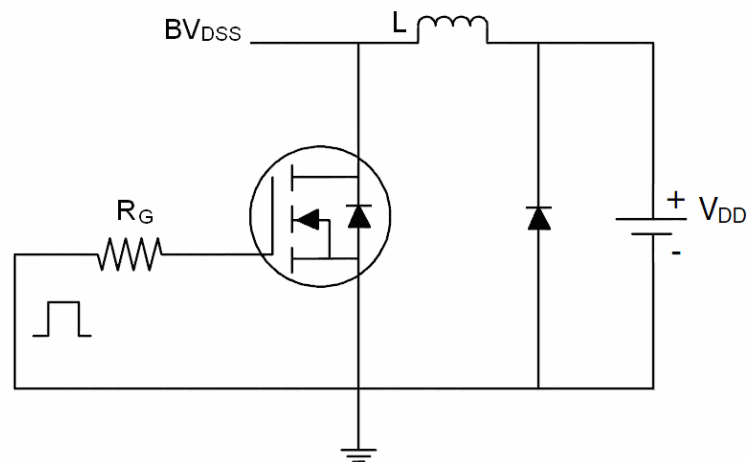
Parameter	Symbol	Condition	Min	Typ	Max	Unit
<b>Off Characteristics</b>						
Drain-Source Breakdown Voltage	$BV_{DSS}$	$V_{GS}=0V, I_D=250\mu A$	100		-	V
Zero Gate Voltage Drain Current	$I_{DSS}$	$V_{DS}=100V, V_{GS}=0V$	-	-	1	$\mu A$
Gate-Body Leakage Current	$I_{GSS}$	$V_{GS}=\pm 20V, V_{DS}=0V$	-	-	$\pm 100$	nA
<b>On Characteristics</b> <sup>(Note 3)</sup>						
Gate Threshold Voltage	$V_{GS(th)}$	$V_{DS}=V_{GS}, I_D=250\mu A$	2.5		4.5	V
Drain-Source On-State Resistance	$R_{DS(ON)}$	$V_{GS}=10V, I_D=60A$	-	3.8	4.6	m $\Omega$
Forward Transconductance	$g_{FS}$	$V_{DS}=10V, I_D=60A$	-	60	-	S
<b>Dynamic Characteristics</b> <sup>(Note 4)</sup>						
Input Capacitance	$C_{iss}$	$V_{DS}=50V, V_{GS}=0V,$ $F=1.0\text{MHz}$	-	6400	-	PF
Output Capacitance	$C_{oss}$		-	731	-	PF
Reverse Transfer Capacitance	$C_{rss}$		-	35	-	PF
<b>Switching Characteristics</b> <sup>(Note 4)</sup>						
Turn-on Delay Time	$t_{d(on)}$	$V_{DD}=50V, I_D=60A$ $V_{GS}=10V, R_G=4.7\Omega$	-	19	-	nS
Turn-on Rise Time	$t_r$		-	76	-	nS
Turn-Off Delay Time	$t_{d(off)}$		-	48	-	nS
Turn-Off Fall Time	$t_f$		-	14	-	nS
Total Gate Charge	$Q_g$	$V_{DS}=50V, I_D=60A,$ $V_{GS}=10V$	-	92		nC
Gate-Source Charge	$Q_{gs}$		-	35.4		nC
Gate-Drain Charge	$Q_{gd}$		-	18.8		nC
<b>Drain-Source Diode Characteristics</b>						
Diode Forward Voltage <sup>(Note 3)</sup>	$V_{SD}$	$V_{GS}=0V, I_S=135A$	-		1.2	V
Diode Forward Current <sup>(Note 2)</sup>	$I_S$		-	-	135	A
Reverse Recovery Time	$t_{rr}$	$T_J = 25^{\circ}\text{C}, I_F = I_S$ $di/dt = 100A/\mu s$ <sup>(Note 3)</sup>	-	63		nS
Reverse Recovery Charge	$Q_{rr}$		-	142		nC

### Notes:

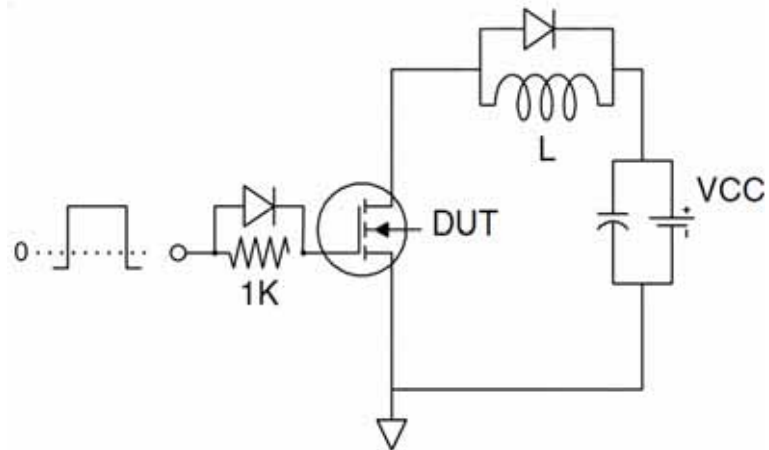
1. Repetitive Rating: Pulse width limited by maximum junction temperature.
2. Surface Mounted on FR4 Board,  $t \leq 10$  sec.
3. Pulse Test: Pulse Width  $\leq 300\mu s$ , Duty Cycle  $\leq 2\%$ .
4. Guaranteed by design, not subject to production
5. EAS condition :  $T_J=25^{\circ}\text{C}, V_{DD}=50V, V_G=10V, L=0.5\text{mH}, R_G=25\Omega$

## Test Circuit

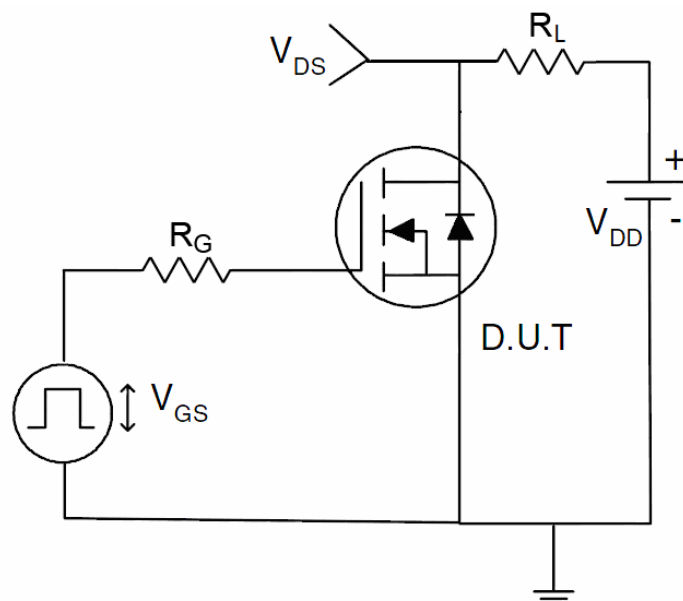
### 1) $E_{AS}$ test Circuit



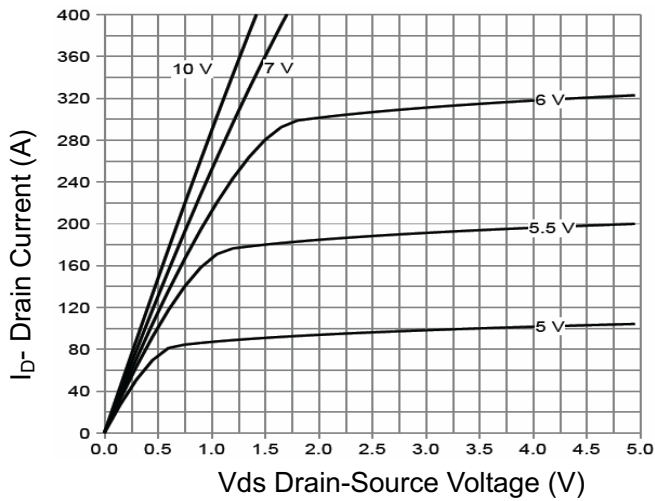
### 2) Gate charge test Circuit



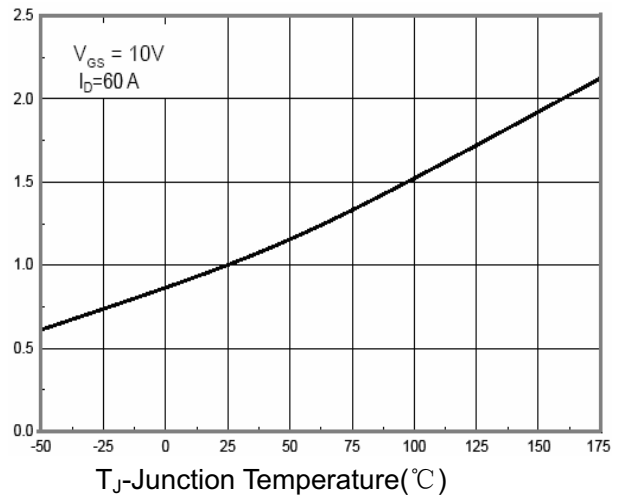
### 3) Switch Time Test Circuit



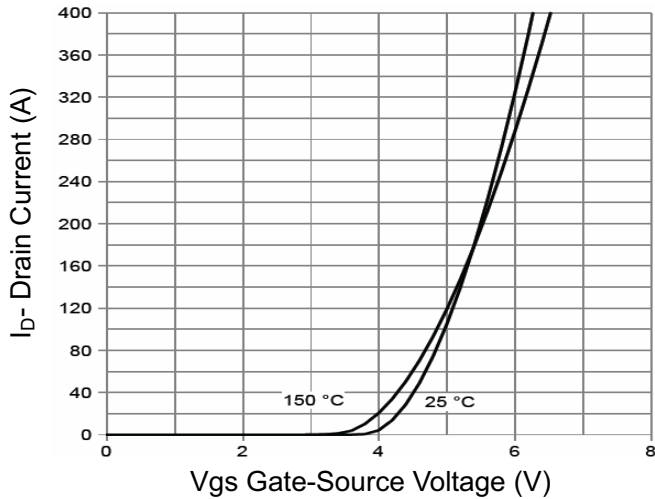
# RATING AND CHARACTERISTICS CURVES (RM135N100HD)



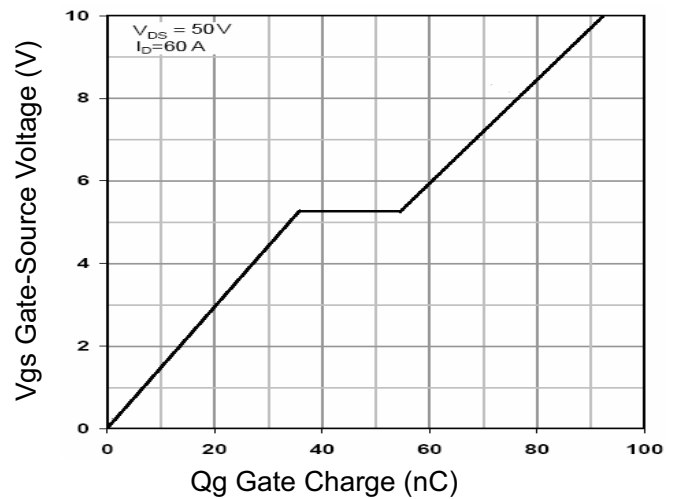
**Figure 1 Output Characteristics**



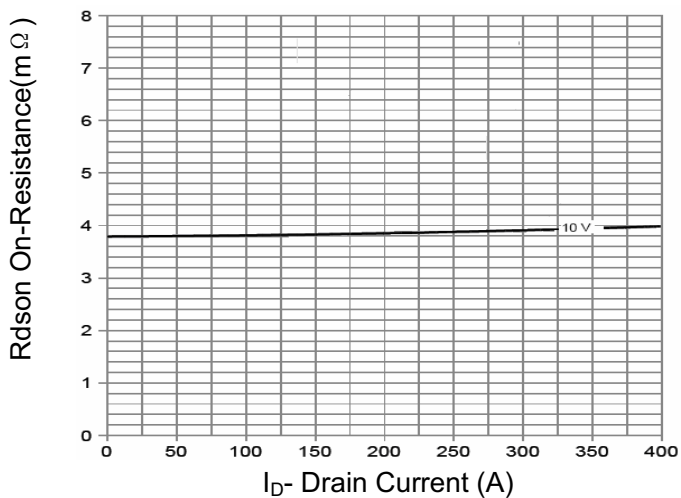
**Figure 4  $R_{DS(on)}$ -Junction Temperature**



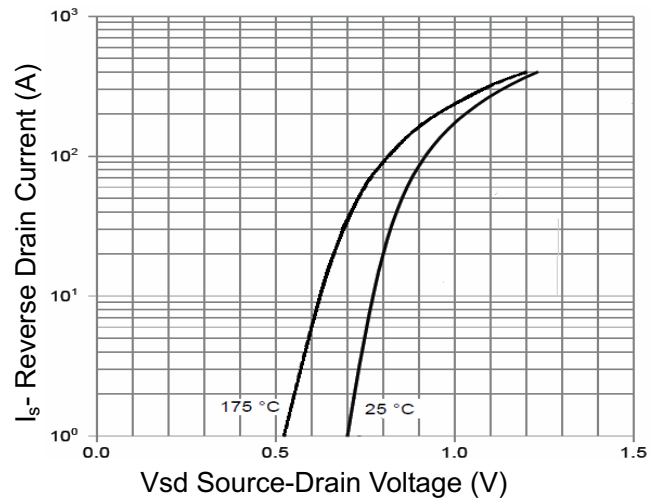
**Figure 2 Transfer Characteristics**



**Figure 5 Gate Charge**

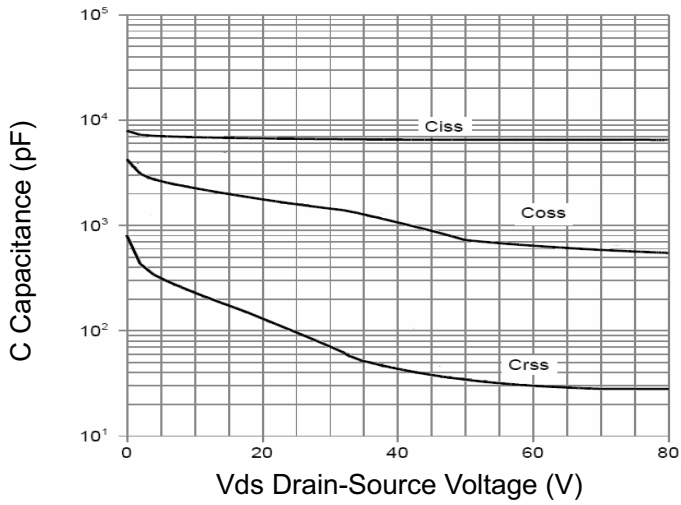


**Figure 3  $R_{DS(on)}$ - Drain Current**

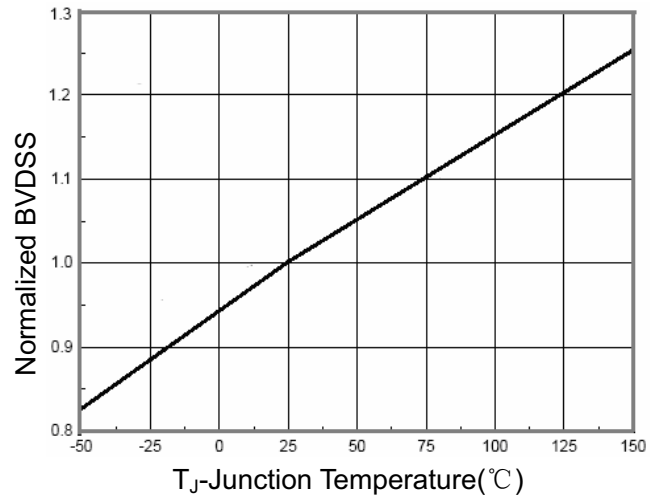


**Figure 6 Source- Drain Diode Forward**

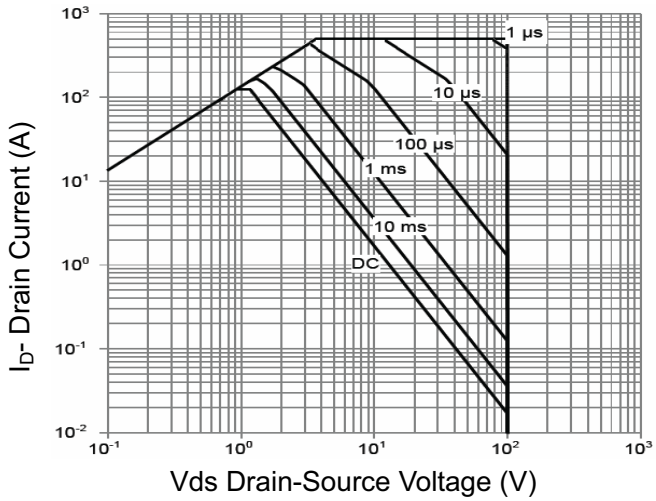
## RATING AND CHARACTERISTICS CURVES (RM135N100HD)



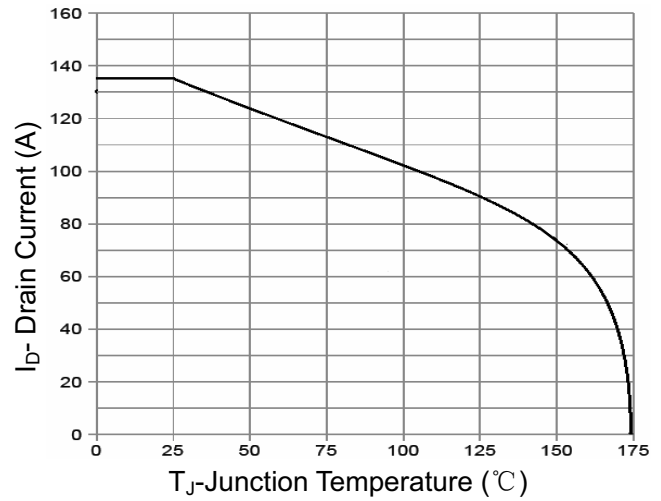
**Figure 7 Capacitance vs Vds**



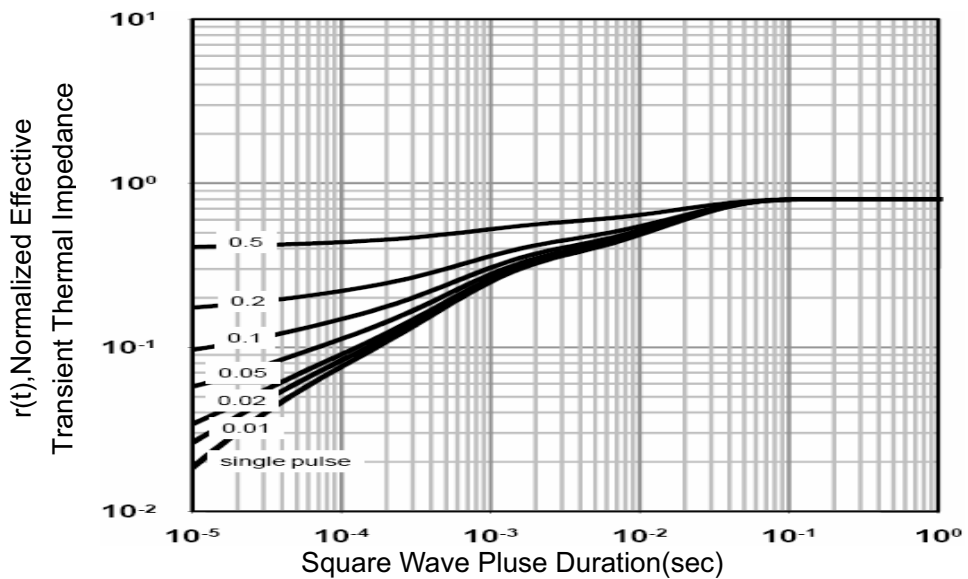
**Figure 9 BV<sub>DSS</sub> vs Junction Temperature**



**Figure 8 Safe Operation Area**

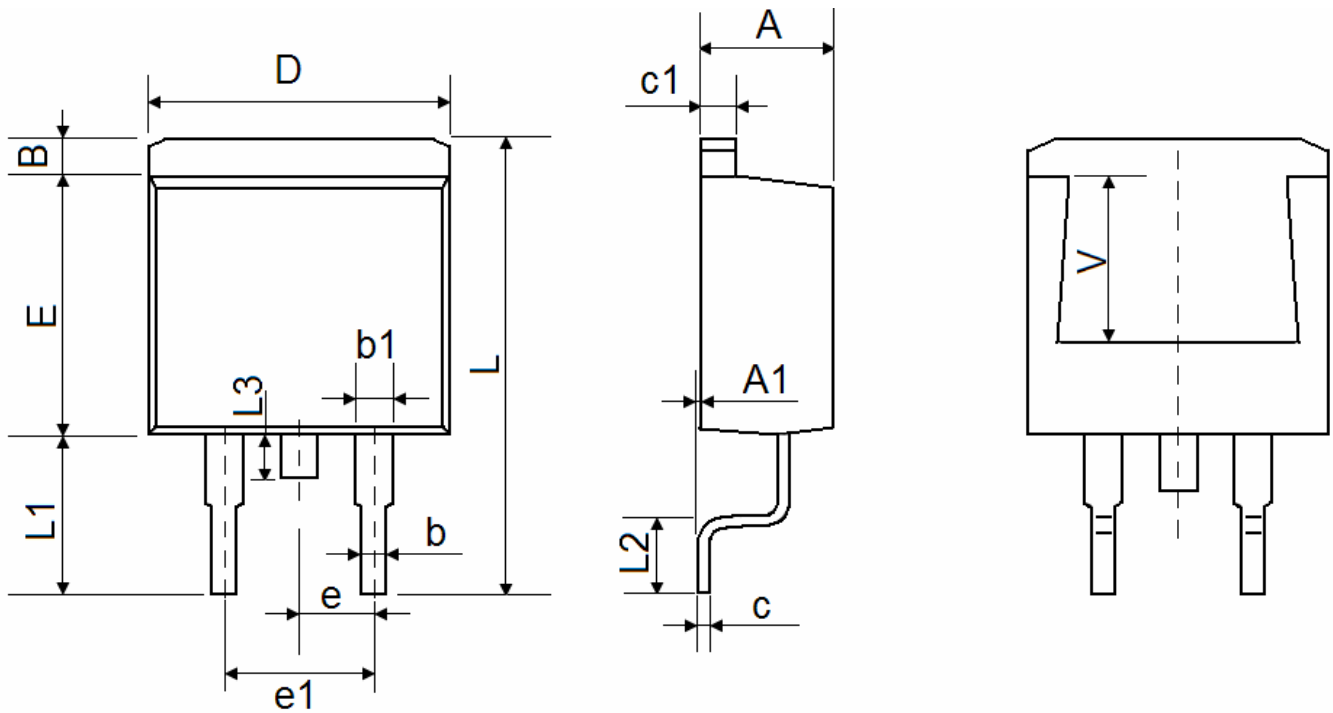


**Figure 10 Current De-rating**



**Figure 11 Normalized Maximum Transient Thermal Impedance**

## TO-263-2L Package Information



Symbol	Dimensions In Millimeters		Dimensions In Inches	
	Min.	Max.	Min.	Max.
A	4.470	4.670	0.176	0.184
A1	0.000	0.150	0.000	0.006
B	1.170	1.370	0.046	0.054
b	0.710	0.910	0.028	0.036
b1	1.170	1.370	0.046	0.054
c	0.310	0.530	0.012	0.021
c1	1.170	1.370	0.046	0.054
D	10.010	10.310	0.394	0.406
E	8.500	8.900	0.335	0.350
e	2.540 TYP.		0.100 TYP.	
e1	4.980	5.180	0.196	0.204
L	15.050	15.450	0.593	0.608
L1	5.080	5.480	0.200	0.216
L2	2.340	2.740	0.092	0.108
L3	1.300	1.700	0.051	0.067
V	5.600 REF		0.220 REF	

## DISCLAIMER NOTICE

Rectron Inc reserves the right to make changes without notice to any product specification herein, to make corrections, modifications, enhancements or other changes. Rectron Inc or anyone on its behalf assumes no responsibility or liability for any errors or inaccuracies. Data sheet specifications and its information contained are intended to provide a product description only. "Typical" parameters which may be included on RECTRON data sheets and/ or specifications can and do vary in different applications and actual performance may vary over time. Rectron Inc does not assume any liability arising out of the application or use of any product or circuit.

Rectron products are not designed, intended or authorized for use in medical, life-saving implant or other applications intended for life-sustaining or other related applications where a failure or malfunction of component or circuitry may directly or indirectly cause injury or threaten a life without expressed written approval of Rectron Inc. Customers using or selling Rectron components for use in such applications do so at their own risk and shall agree to fully indemnify Rectron Inc and its subsidiaries harmless against all claims, damages and expenditures.

## **X-ON Electronics**

Largest Supplier of Electrical and Electronic Components

*Click to view similar products for [Rectron](#) manufacturer:*

Other Similar products are found below :

[061172EB](#) [10A05](#) [10A10-T](#) [10A2-B](#) [10A6-T](#) [1.5KE300CA-T](#) [1A1-B](#) [1D4](#) [1H1-B](#) [1N4001-B](#) [1N4001G](#) [1N4002-B](#) [1N4003-B](#) [1N4003-T](#)  
[1N4004-B](#) [1N4004G-B](#) [1N4004-T](#) [1N4148](#) [1N4148-B](#) [1N4148-T](#) [1N4151-B](#) [1N4454-T](#) [1N4758A-B](#) [1N4947-B](#) [1N5226B-B](#) [1N5231B-B](#)  
[1N5232B-B](#) [1N5236B-B](#) [1N5239B-B](#) [1N5250B-B](#) [1N5258B-B](#) [1N5359B-T](#) [1N5402-B](#) [1N5404-B](#) [1N5406-T](#) [1N5408](#) [1N5408G-B](#)  
[1N5817-T](#) [1N5818-B](#) [1N5818-T](#) [1N5822-T](#) [1N914B-B](#) [1S40-T](#) [1SMB5934B-W](#) [1SMB5936B-W](#) [2N3904](#) [2N4401](#) [2N4401-T](#) [2N4403](#)  
[2N5401-F](#)