

PIR3 with socket GZM3 interface relays



R3 + GZM3

- Interface relay **PIR3 with socket GZM3** consists of: electromagnetic relay **R3**, grey plug-in socket **GZM3**, signalling / protecting module: version **LD** - M41G or M42G or M43G (L - LED green, D - diode, polarization N: +A1/-A2); version **LV** - M91G or M92G or M93G (L - LED green, V - varistor), retainer / retractor clip **GZT4-0040** (plastic), white description plate **GZT4-0035**
- 35 mm rail mount acc. to PN-EN 60715 or on panel mounting with two M3 screws
- May be linked with interconnection strip type **ZGGZ4**
- Recognitions, certifications, directives: recognitions R3, RoHS, AUCOTEAM GmbH Berlin - railway standards,

Contact data

Number and type of contacts		3 CO	
Contact material		AgNi	
Rated / max. switching voltage	AC	250 V / 440 V	
Min. switching voltage		5 V	
Rated load (capacity)	AC1	10 A / 250 V AC	
	AC15	3 A / 120 V	1,5 A / 240 V (B300)
	AC3	370 W (single-phase motor)	
	DC1	10 A / 24 V DC (see Fig. 3)	
	DC13	0,22 A / 120 V 0,1 A / 250 V (R300)	
Min. switching current		5 mA	
Max. inrush current		20 A	
Rated current		10 A	
Max. breaking capacity	AC1	2 500 VA	
Min. breaking capacity		0,3 W	
Contact resistance		≤ 100 mΩ	
Max. operating frequency			
• at rated load	AC1	1 200 cycles/hour	
• no load		18 000 cycles/hour	
Coil data			
Rated voltage	50/60 Hz AC	12 ... 230 V	
	DC	12 ... 110 V	
Must release voltage		AC: ≥ 0,2 U _n	DC: ≥ 0,1 U _n
Operating range of supply voltage		see Tables 1,2	
Rated power consumption	AC	50 Hz: 1,6 VA	60 Hz: 1,3 VA
	DC	0,9 W	
Insulation according to PN-EN 60664-1			
Insulation rated voltage		250 V AC	
Rated surge voltage		with AC coils: 2 500 V 1,2 / 50 μs with DC coils: 4 000 V 1,2 / 50 μs	
Overvoltage category		III	
Insulation pollution degree		3	
Dielectric strength			
• between coil and contacts		2 500 V AC	type of insulation: basic
• contact clearance		1 500 V AC	type of clearance: micro-disconnection
• pole - pole		2 500 V AC	type of insulation: basic
Contact - coil distance			
• clearance		≥ 2,5 mm	
• creepage		≥ 4 mm	
General data			
Operating / release time (typical values)		AC: 10 ms / 8 ms	DC: 13 ms / 3 ms
Electrical life			
• resistive AC1		> 10 ⁵ 10 A, 250 V AC	
• cos φ		see Fig. 2	
Mechanical life (cycles)		> 2 x 10 ⁷	
Dimensions (L x W x H)		75 x 27 x 82 mm	
Weight		107 g	
Ambient temperature	• storage	-40...+85 °C	
	• operating	AC: -40...+55 °C	DC: -40...+70 °C
Cover protection category		IP 20	PN-EN 60529
Environmental protection		R3: RTI GZM3: RT0	PN-EN 116000-3
Shock resistance	(NO/NC)	10 g / 5 g	
Vibration resistance		5 g 10...150 Hz	

The data in bold type pertain to the standard versions of the relays.

PIR3 with socket GZM3 interface relays

Coil data - DC voltage version

Table 1

Coil code	Rated voltage V DC	Coil resistance at 20 °C Ω	Acceptable resistance	Coil operating range V DC	
				min. (at 20 °C)	max. (at 55 °C)
012DC	12	160	± 10%	9,6	13,2
024DC	24	640	± 10%	19,2	26,4
048DC	48	2 600	± 10%	38,4	52,8
110DC	110	13 600	± 10%	88,0	121,0

The data in bold type pertain to the standard versions of the relays.

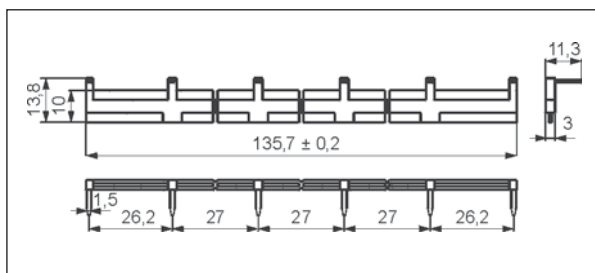
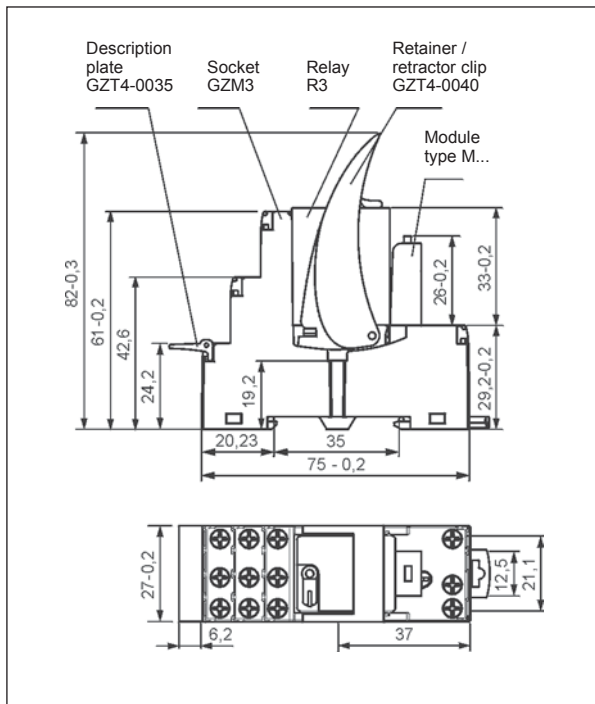
Coil data - AC 50/60 Hz voltage version

Table 2

Coil code	Rated voltage V AC	Coil resistance at 20 °C Ω	Acceptable resistance	Coil operating range V AC	
				min. (at 20 °C)	max. (at 55 °C)
012AC	12	39,5	± 10%	9,6	13,2
024AC	24	158,0	± 10%	19,2	26,4
048AC	48	640,0	± 10%	38,4	52,8
120AC	120	3 770,0	± 10%	96,0	132,0
230AC	230	16 100,0	± 10%	184,0	253,0

The data in bold type pertain to the standard versions of the relays.

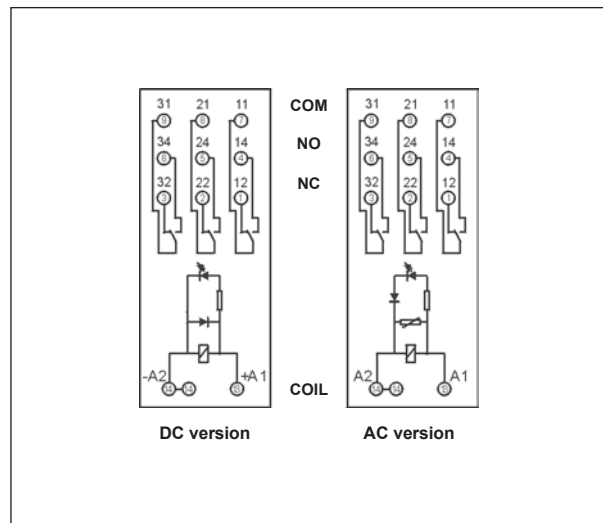
Dimensions



Interconnection strip type **ZGGZ4**

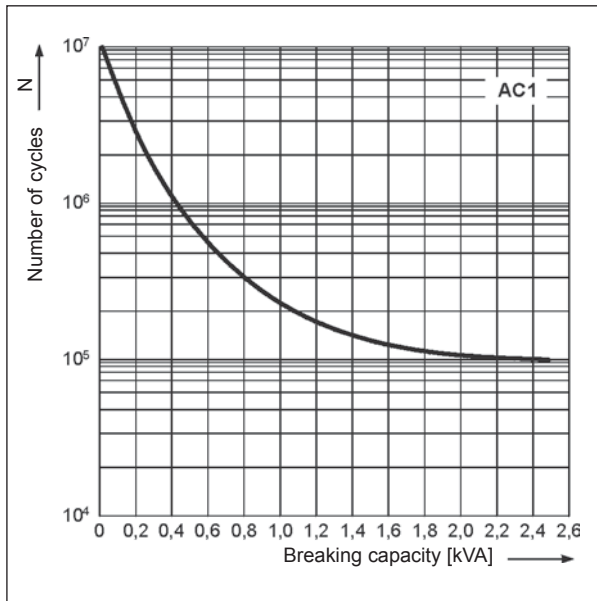
Connection diagrams

(screw terminals side view)



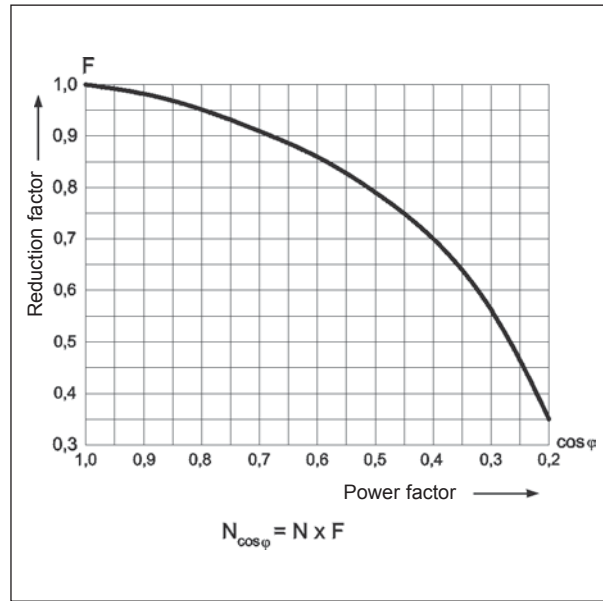
Electrical life at AC resistive load.
Switching frequency: 1 200 cycles/hour

Fig. 1



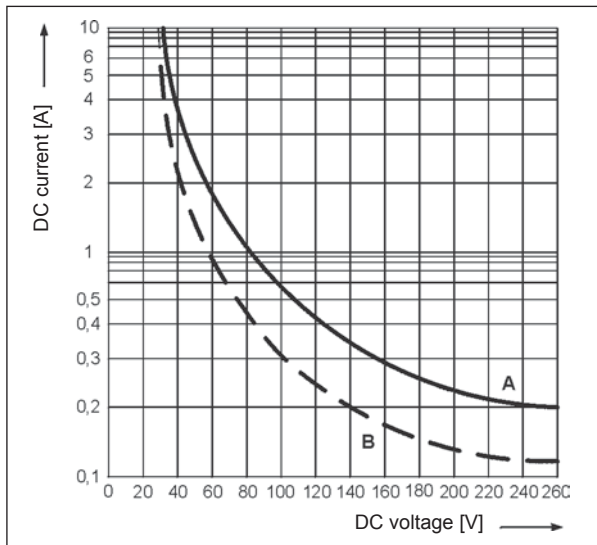
Electrical life reduction factor
at AC inductive load

Fig. 2



Max. DC breaking capacity
A - resistive load DC1
B - inductive load L/R = 40 ms

Fig. 3

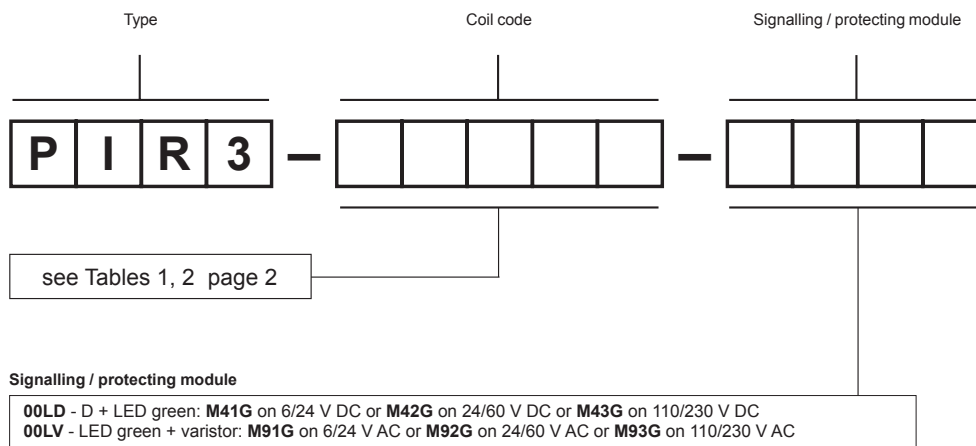


Mounting

Relays **PIR3 with socket GZM3** are designed for direct mounting on 35 mm rail mount acc. to PN-EN 60715 or on panel mounting with two M3 screws. **Connections:** max. cross section of the cables (stranded): 2 x 2,5 mm² (2 x 14 AWG), length of the cable deinsulation: 6,5 mm, max. tightening moment for the terminal: 0,7 Nm.

Plug-in sockets **GZM3** may be linked with interconnection strip type **ZGGZ4**. Strip **ZGGZ4** bridges common input signals, maximum permissible current is 10 A / 250 V AC. Possibility of connection of 6 sockets. Colours of strips: **ZGGZ4-1** grey, **ZGGZ4-2** black.

Ordering codes



Examples of ordering codes:

- PIR3-012DC-00LD** interface relay **PIR3**, which consists of: relay **R3** with coil 12 V DC, grey plug-in socket **GZM3** (screw terminals), signalling / protecting module **M41G** (version **LD**: L - LED green, D - diode, polarization N: +A1/-A2), retainer / retractor clip **GZT4-0040** (plastic), white description plate **GZT4-0035**
- PIR3-230AC-00LV** interface relay **PIR3**, which consists of: relay **R3** with coil 230 V AC 50/60 Hz, grey plug-in socket **GZM3** (screw terminals), signalling / protecting module **M93G** (version **LV**: L - LED green, V - varistor), retainer / retractor clip **GZT4-0040** (plastic), white description plate **GZT4-0035**

Interconnection strips ZGGZ4



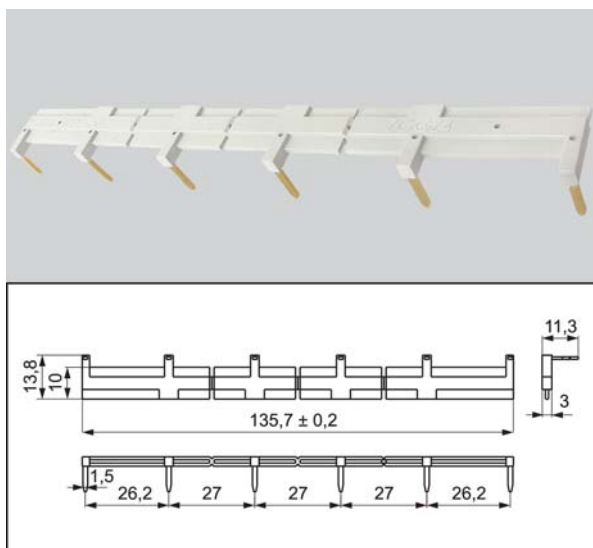
ZGGZ4 for:

Plug-in sockets	Relays for plug-in sockets	Interface relays ④
GZT2	R2...WT	PIR2-...-00L. (GZM2 + R2...WT)
GZM2		PIR3-...-00L. (GZM3 + R3...WT)
GZT3	R3...WT	PIR4-...-00L. (GZM4 + R4...WT)
GZM3		
GZT4	R4...WT	
GZM4		

④ Interface relay **PIR2** (**PIR3**, **PIR4**) is offered as a **set**: plug-in socket **GZM2** (**GZM3**, **GZM4**) + miniature industrial relay **R2** (**R3**, **R4**) + signalling / protecting module **type M...** + retainer / retractor clip **GZT4-0040** + description plate **GZT4-0035**.

Interconnection strip ZGGZ4

- designed for the co-operation with plug-in sockets of miniature industrial relays and with interface relays PIR2, PIR3 and PIR4, which are equipped with screw terminals; sockets and relays are mounted on 35 mm rail mount acc. to PN-EN 60715,
- bridges common input signals (coil terminals A1 or A2) or output signals - see photo at the top,
- maximum permissible current is 10 A / 250 V AC,
- possibility of connection of 6 sockets or relays,
- colours of strips: **ZGGZ4-1** grey, **ZGGZ4-2** black.



X-ON Electronics

Largest Supplier of Electrical and Electronic Components

Click to view similar products for [General Purpose Relays](#) category:

Click to view products by [Relpol](#) manufacturer:

Other Similar products are found below :

[APF30318](#) [JVN1AF-4.5V-F](#) [PCN-105D3MHZ](#) [5JO-10000S-SIL](#) [5JO-1000CD-SIL](#) [5JO-400CD-SIL](#) [LY2S-AC220/240](#) [LYQ20DC12](#)
[6031007G](#) [6131406HQ](#) [6-1393099-3](#) [6-1393099-8](#) [6-1393122-4](#) [6-1393123-2](#) [6-1393767-1](#) [6-1393843-7](#) [6-1415012-1](#) [6-1419102-2](#) [6-](#)
[1423698-4](#) [6-1608051-6](#) [6-1608067-0](#) [6-1616170-6](#) [6-1616248-2](#) [6-1616282-3](#) [6-1616348-2](#) [6-1616350-1](#) [6-1616350-8](#) [6-1616358-7](#) [6-](#)
[1616359-9](#) [6-1616360-9](#) [6-1616931-6](#) [6-1617039-1](#) [6-1617052-1](#) [6-1617090-2](#) [6-1617090-5](#) [6-1617347-5](#) [6-1617353-3](#) [6-1617801-8](#) [6-](#)
[1617802-2](#) [6-1618107-9](#) [6-1618248-4](#) [M83536/1-027M](#) [CX-4014](#) [MAHC-5494](#) [MAVCD-5419-6](#) [703XCX-120A](#) [7-1393100-5](#) [7-1393111-7](#)
[7-1393144-5](#) [7-1393767-8](#)