



# PIR6W-1PS-...

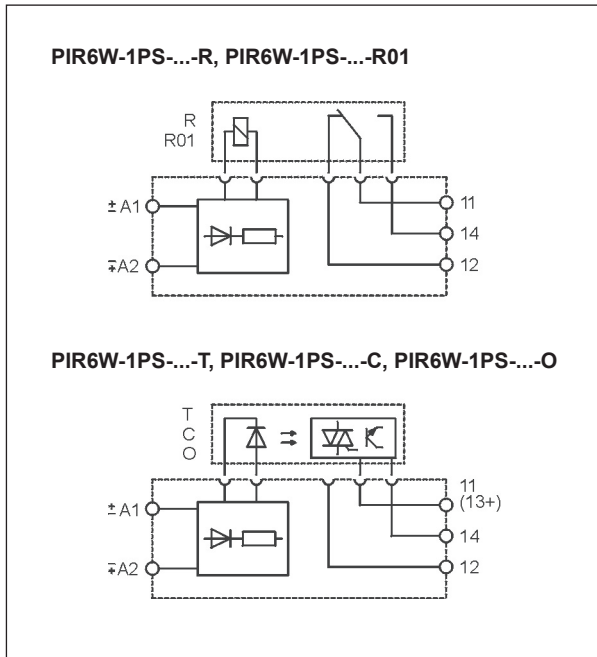
## interface relays

### General data

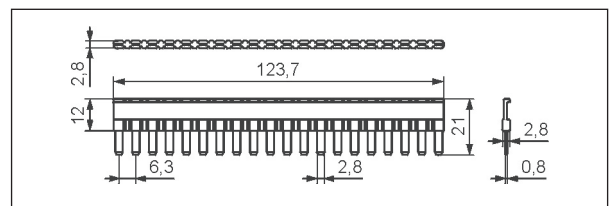
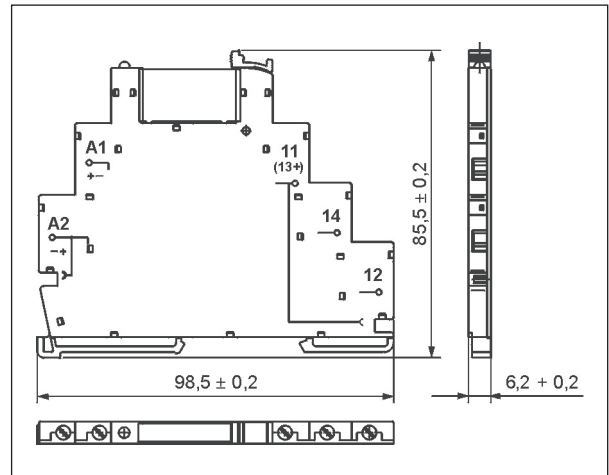
Operating time (typical value)	PIR6W-1PS-...-R/-R01: DC: 8 ms AC/DC: 20 ms PIR6W-1PS-...-T: DC: 100 $\mu$ s AC/DC: 10 ms PIR6W-1PS-...-C/-O: DC: 50 $\mu$ s AC/DC: 10 ms
Release time (typical value)	PIR6W-1PS-...-R/-R01: DC: 10 ms AC/DC: 25 ms PIR6W-1PS-...-T: DC: 1/2 cycle + 1 ms AC/DC: 30 ms PIR6W-1PS-...-C/-O: DC: 600 $\mu$ s AC/DC: 20 ms
Electrical life • resistive AC1	PIR6W-1PS-...-R: > 0,5 x 10 <sup>5</sup> 6 A, 250 V AC
Mechanical life (cycles)	PIR6W-1PS-...-R/-R01: > 10 <sup>7</sup>
Dimensions (L x W x H)	98,5 x 6,2 x 85,5 mm
Weight	45 g
Ambient temperature • storage • operating	PIR6W-1PS-...-R/-R01/-T: -40...+70 °C ...-C/-O: -25...+70 °C PIR6W-1PS-...-R/-R01: -40...+55 °C ...-T/-C/-O: -20...+55 °C PIR6W-1PS-230VAC/DC-R/-R01: -40...+50 °C ④ ...-C/-O: -20...+50 °C ④
Protection category	IP 20 PN-EN 60529
Environmental protection	RT1 PN-EN 116000-3
Shock resistance	10 g
Vibration resistance	5 g 10...500 Hz

④ For versions 230VAC/DC: the distance of min. 5 mm between the mounting relays.

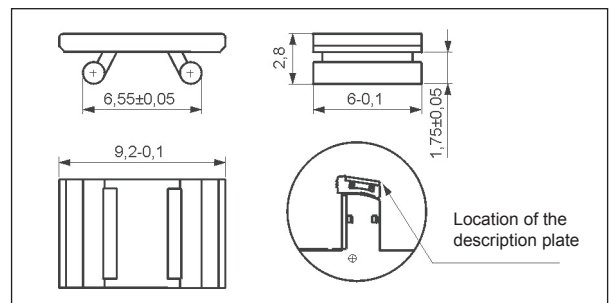
### Connection diagrams



### Dimensions



Interconnection strip type ZG20



Description plate PI6W-1246

# PIR6W-1PS-...

## interface relays

### Ordering codes

Ordering codes **PIR6W-1PS-...** are specified in Table 1, "Interface relay code" column.

### Mounting

Relays **PIR6W-1PS-...** are designed for direct mounting on 35 mm rail mount acc. to PN-EN 60715. **Connections:** max. cross section of the cables:  $1 \times 2,5 \text{ mm}^2 / 2 \times 1,5 \text{ mm}^2$  (1 x 14 / 2 x 16 AWG), length of the cable deinsulation: 9 mm, max. tightening moment for the terminal: 0,3 Nm.

Interface relay **PIR6W-1PS-...** consists of: screw terminals universal socket, with electronic **PI6W-1PS-...**, miniature operational relay - electromagnetic **RM699BV** or solid state **RSR30**.

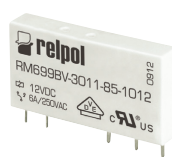
**PIR6W-1PS-...** may be linked with interconnection strip type **ZG20**. Strip **ZG20** bridges common input or output signals, maximum permissible current is 36 A / 250 V AC. Colours of strips: **ZG20-1** red, **ZG20-2** black, **ZG20-3** blue. Description plates of **PI6W-1246** type are offered for **PIR6W-1PS-...** relays; they are delivered with the relays, not mounted.

Ⓢ Type of outputs: **R** - contacts AgSnO<sub>2</sub>; **R01** - contacts AgSnO<sub>2</sub>/Au 3 μm; **T** - triac; **C** - transistor; **O** - transistor.

Ⓣ For versions 230VAC/DC: the distance of min. 5 mm between the mounting relays.



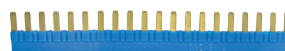
PI6W-1PS-...



RM699BV



RSR30



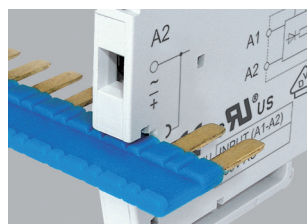
ZG20



PI6W-1246



**Green LED:**  
signalling the operation  
status of the relay.



**Interconnection strip ZG20:**  
bridging of common  
input or output signals.



**Movable ejector:** protection  
and easy replacement  
of the operational relay.

### Interface relay PIR6W-1PS-...

set: relay RM699BV  
+ socket PI6W-1PS-...



### PRECAUTIONS:

1. Ensure that the parameters of the product described in its specification provide a safety margin for the appropriate operation of the device or system and never use the product in circumstances which exceed the parameters of the product. 2. Never touch any live parts of the device. 3. Ensure that the product has been connected correctly. An incorrect connection may cause malfunction, excessive heating or risk of fire. 4. In case of any risk of any serious material loss or death or injuries of humans or animals, the devices or systems shall be designed so to equip them with double safety system to guarantee their reliable operation.

# PIR6W-1PS-...

## interface relays

Table of codes

Table 1

Interface relay code	Rated input voltage $U_n$ Ⓔ	Power of input circuit	Socket code	Operational relay code	Rated voltage of operational relay $U_s$ Ⓔ
PIR6W-1PS-6VDC-R	6 V DC	0,3 W	PI6W-1PS-6VDC	RM699BV-3011-85-1005	5 V DC
PIR6W-1PS-12VDC-R	12 V DC	0,2 W	PI6W-1PS-12/24VDC	RM699BV-3011-85-1012	12 V DC
<b>PIR6W-1PS-24VDC-R</b>	<b>24 V DC</b>	<b>0,3 W</b>	<b>PI6W-1PS-12/24VDC</b>	<b>RM699BV-3011-85-1024</b>	<b>24 V DC</b>
PIR6W-1PS-36VDC-R	36 V DC	0,3 W	PI6W-1PS-36VDC	RM699BV-3011-85-1024	24 V DC
PIR6W-1PS-48VDC-R	48 V DC	0,4 W	PI6W-1PS-48VDC	RM699BV-3011-85-1024	24 V DC
PIR6W-1PS-60VDC-R	60 V DC	0,5 W	PI6W-1PS-60VDC	RM699BV-3011-85-1024	24 V DC
<b>PIR6W-1PS-24VAC/DC-R</b>	<b>24 V AC/DC</b>	<b>0,5 VA / 0,4 W</b>	<b>PI6W-1PS-24VAC/DC</b>	<b>RM699BV-3011-85-1012</b>	<b>12 V DC</b>
PIR6W-1PS-42VAC/DC-R	42 V AC/DC	0,5 VA / 0,4 W	PI6W-1PS-42VAC/DC	RM699BV-3011-85-1024	24 V DC
PIR6W-1PS-115VAC/DC-R	115 V AC/DC	1,2 VA / 1,2 W	PI6W-1PS-115VAC/DC	RM699BV-3011-85-1024	24 V DC
<b>PIR6W-1PS-230VAC/DC-R</b> Ⓓ	<b>230 V AC/DC</b>	<b>1,2 VA / 1,2 W</b>	<b>PI6W-1PS-230VAC/DC</b>	<b>RM699BV-3011-85-1060</b>	<b>60 V DC</b>
PIR6W-1PS-6VDC-R01 Ⓔ	6 V DC	0,3 W	PI6W-1PS-6VDC	RM699BV-3211-85-1005	5 V DC
PIR6W-1PS-12VDC-R01 Ⓔ	12 V DC	0,2 W	PI6W-1PS-12/24VDC	RM699BV-3211-85-1012	12 V DC
<b>PIR6W-1PS-24VDC-R01</b> Ⓔ	<b>24 V DC</b>	<b>0,3 W</b>	<b>PI6W-1PS-12/24VDC</b>	<b>RM699BV-3211-85-1024</b>	<b>24 V DC</b>
PIR6W-1PS-36VDC-R01 Ⓔ	36 V DC	0,3 W	PI6W-1PS-36VDC	RM699BV-3211-85-1024	24 V DC
PIR6W-1PS-48VDC-R01 Ⓔ	48 V DC	0,4 W	PI6W-1PS-48VDC	RM699BV-3211-85-1024	24 V DC
PIR6W-1PS-60VDC-R01 Ⓔ	60 V DC	0,5 W	PI6W-1PS-60VDC	RM699BV-3211-85-1024	24 V DC
<b>PIR6W-1PS-24VAC/DC-R01</b> Ⓔ	<b>24 V AC/DC</b>	<b>0,5 VA / 0,4 W</b>	<b>PI6W-1PS-24VAC/DC</b>	<b>RM699BV-3211-85-1012</b>	<b>12 V DC</b>
PIR6W-1PS-42VAC/DC-R01 Ⓔ	42 V AC/DC	0,5 VA / 0,4 W	PI6W-1PS-42VAC/DC	RM699BV-3211-85-1024	24 V DC
PIR6W-1PS-115VAC/DC-R01 Ⓔ	115 V AC/DC	1,2 VA / 1,2 W	PI6W-1PS-115VAC/DC	RM699BV-3211-85-1024	24 V DC
<b>PIR6W-1PS-230VAC/DC-R01</b> Ⓔ Ⓓ	<b>230 V AC/DC</b>	<b>1,2 VA / 1,2 W</b>	<b>PI6W-1PS-230VAC/DC</b>	<b>RM699BV-3211-85-1060</b>	<b>60 V DC</b>
PIR6W-1PS-6VDC-T	6 V DC	0,2 W	PI6W-1PS-6VDC	RSR30-D05-A1-24-020-1	5 V DC
PIR6W-1PS-12VDC-T	12 V DC	0,2 W	PI6W-1PS-12/24VDC	RSR30-D12-A1-24-020-1	12 V DC
<b>PIR6W-1PS-24VDC-T</b>	<b>24 V DC</b>	<b>0,3 W</b>	<b>PI6W-1PS-12/24VDC</b>	<b>RSR30-D24-A1-24-020-1</b>	<b>24 V DC</b>
PIR6W-1PS-36VDC-T	36 V DC	0,3 W	PI6W-1PS-36VDC	RSR30-D24-A1-24-020-1	24 V DC
PIR6W-1PS-48VDC-T	48 V DC	0,4 W	PI6W-1PS-48VDC	RSR30-D24-A1-24-020-1	24 V DC
PIR6W-1PS-60VDC-T	60 V DC	0,5 W	PI6W-1PS-60VDC	RSR30-D24-A1-24-020-1	24 V DC
<b>PIR6W-1PS-24VAC/DC-T</b>	<b>24 V AC/DC</b>	<b>0,5 VA / 0,4 W</b>	<b>PI6W-1PS-24VAC/DC</b>	<b>RSR30-D12-A1-24-020-1</b>	<b>12 V DC</b>
PIR6W-1PS-42VAC/DC-T	42 V AC/DC	0,5 VA / 0,4 W	PI6W-1PS-42VAC/DC	RSR30-D24-A1-24-020-1	24 V DC
PIR6W-1PS-115VAC/DC-T	115 V AC/DC	1,0 VA / 1,0 W	PI6W-1PS-115VAC/DC	RSR30-D24-A1-24-020-1	24 V DC
PIR6W-1PS-6VDC-C	6 V DC	0,2 W	PI6W-1PS-6VDC	RSR30-D05-D1-04-025-1	5 V DC
PIR6W-1PS-12VDC-C	12 V DC	0,2 W	PI6W-1PS-12/24VDC	RSR30-D12-D1-04-025-1	12 V DC
<b>PIR6W-1PS-24VDC-C</b>	<b>24 V DC</b>	<b>0,3 W</b>	<b>PI6W-1PS-12/24VDC</b>	<b>RSR30-D24-D1-04-025-1</b>	<b>24 V DC</b>
PIR6W-1PS-36VDC-C	36 V DC	0,3 W	PI6W-1PS-36VDC	RSR30-D24-D1-04-025-1	24 V DC
PIR6W-1PS-48VDC-C	48 V DC	0,4 W	PI6W-1PS-48VDC	RSR30-D24-D1-04-025-1	24 V DC
PIR6W-1PS-60VDC-C	60 V DC	0,5 W	PI6W-1PS-60VDC	RSR30-D24-D1-04-025-1	24 V DC
<b>PIR6W-1PS-24VAC/DC-C</b>	<b>24 V AC/DC</b>	<b>0,5 VA / 0,4 W</b>	<b>PI6W-1PS-24VAC/DC</b>	<b>RSR30-D12-D1-04-025-1</b>	<b>12 V DC</b>
PIR6W-1PS-42VAC/DC-C	42 V AC/DC	0,5 VA / 0,4 W	PI6W-1PS-42VAC/DC	RSR30-D24-D1-04-025-1	24 V DC
PIR6W-1PS-115VAC/DC-C	115 V AC/DC	1,0 VA / 1,0 W	PI6W-1PS-115VAC/DC	RSR30-D24-D1-04-025-1	24 V DC
<b>PIR6W-1PS-230VAC/DC-C</b> Ⓓ	<b>230 V AC/DC</b>	<b>1,0 VA / 1,0 W</b>	<b>PI6W-1PS-230VAC/DC</b>	<b>RSR30-D48-D1-04-025-1</b>	<b>48 V DC</b>
PIR6W-1PS-6VDC-O	6 V DC	0,2 W	PI6W-1PS-6VDC	RSR30-D05-D1-02-040-1	5 V DC
PIR6W-1PS-12VDC-O	12 V DC	0,2 W	PI6W-1PS-12/24VDC	RSR30-D12-D1-02-040-1	12 V DC
<b>PIR6W-1PS-24VDC-O</b>	<b>24 V DC</b>	<b>0,3 W</b>	<b>PI6W-1PS-12/24VDC</b>	<b>RSR30-D24-D1-02-040-1</b>	<b>24 V DC</b>
PIR6W-1PS-36VDC-O	36 V DC	0,3 W	PI6W-1PS-36VDC	RSR30-D24-D1-02-040-1	24 V DC
PIR6W-1PS-48VDC-O	48 V DC	0,4 W	PI6W-1PS-48VDC	RSR30-D24-D1-02-040-1	24 V DC
PIR6W-1PS-60VDC-O	60 V DC	0,5 W	PI6W-1PS-60VDC	RSR30-D24-D1-02-040-1	24 V DC
<b>PIR6W-1PS-24VAC/DC-O</b>	<b>24 V AC/DC</b>	<b>0,5 VA / 0,4 W</b>	<b>PI6W-1PS-24VAC/DC</b>	<b>RSR30-D12-D1-02-040-1</b>	<b>12 V DC</b>
PIR6W-1PS-42VAC/DC-O	42 V AC/DC	0,5 VA / 0,4 W	PI6W-1PS-42VAC/DC	RSR30-D24-D1-02-040-1	24 V DC
PIR6W-1PS-115VAC/DC-O	115 V AC/DC	1,0 VA / 1,0 W	PI6W-1PS-115VAC/DC	RSR30-D24-D1-02-040-1	24 V DC
<b>PIR6W-1PS-230VAC/DC-O</b> Ⓓ	<b>230 V AC/DC</b>	<b>1,0 VA / 1,0 W</b>	<b>PI6W-1PS-230VAC/DC</b>	<b>RSR30-D48-D1-02-040-1</b>	<b>48 V DC</b>

The data in bold type pertain to the standard versions of the relays. Ⓔ Version with gold-plated contacts. Ⓓ For versions 230VAC/DC: the distance of min. 5 mm between the mounting relays. Ⓔ It shall be remarked that rated input voltage of the operational relay  $U_s$  not always complies with the rated input voltage  $U_n$  (which is important on ordering operational relays for sockets).

12.01.2015

## X-ON Electronics

Largest Supplier of Electrical and Electronic Components

*Click to view similar products for [General Purpose Relays](#) category:*

*Click to view products by [Relpol](#) manufacturer:*

Other Similar products are found below :

[PCN-105D3MH,000](#) [59641F200](#) [5JO-1000CD-SIL](#) [LY1SAC110120](#) [5X827E](#) [5X837F](#) [5X840F](#) [5X842F](#) [5X848E](#) [LY2N-AC120](#) [LY2S-AC220/240](#) [LY2-US-AC120](#) [LY3-US-AC120](#) [LY4F-UA-DC12](#) [LY4F-UA-DC24](#) [LY4F-US-AC120](#) [LY4F-US-AC240](#) [LY4F-US-DC24](#) [LY4F-VD-AC110](#) [LYQ20DC12](#) [M115C60](#) [M115N010](#) [M115N0150](#) [6031007G](#) [603-12D](#) [61211T0B4](#) [61212T400](#) [61222Q400](#) [61243B600](#) [61243C500](#) [61243Q400](#) [61311BOA2](#) [61311BOA6](#) [61311BOA8](#) [61311C0A2](#) [61311COA1](#) [61311COA6](#) [61311F0A2](#) [61311QOA1](#) [61311QOA4](#) [61311T0D6](#) [61311TOA6](#) [61311TOA7](#) [61311TOB3](#) [61311TOB4](#) [61311U0A6](#) [61312Q600](#) [61312T400](#) [61312T600](#) [61313U200](#)