

R15 - 2 CO, 3 CO




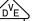



industrial relays of small dimensions



R15 - 2 CO



R15 - 3 CO

• Relays of general application • For plug-in sockets: 35 mm rail mount acc. to PN-EN 60715; on panel mounting: solder terminals • Contacts AgNi • Coils AC and DC • WT (mechanical indicator + lockable front test button) - standard features of relays in cover, for plug-in sockets. Relays may be provided with the test buttons (no latching) and plugs - page 6 • **Have obtained LR Type Approval Certificate (Lloyd's Register)** • Recognitions, certifications, directives: RoHS, AUCOTEAM GmbH Berlin - railroad standard,       

Contact data

Number and type of contacts		2 CO, 3 CO
Contact material		AgNi , AgNi/Au 0,2 µm, AgNi/Au 5 µm
Rated / max. switching voltage	AC	250 V / 440 V
Min. switching voltage		10 V AgNi, 10 V AgNi/Au 0,2 µm, 5 V AgNi/Au 5 µm
Rated load (capacity)	AC1	10 A / 250 V AC 10 A / 277 V AC UL 508
	AC15	3 A / 120 V 1,5 A / 240 V (B300)
	AC3	370 W (single-phase motor; 0,5 HP / 240 V AC UL 508)
	DC1	10 A / 24 V DC (see Fig. 3)
	DC13	0,22 A / 120 V 0,1 A / 250 V (R300)
Min. switching current		5 mA
Max. inrush current		20 A
Rated current		10 A
Max. breaking capacity	AC1	2 500 VA
Min. breaking capacity		0,3 W AgNi, 0,3 W AgNi/Au 0,2 µm, 0,05 W AgNi/Au 5 µm
Contact resistance		≤ 100 mΩ
Max. operating frequency	AC1	• at rated load
		• no load
		1 200 cycles/hour 12 000 cycles/hour

Coil data

Rated voltage	50/60 Hz AC	6 ... 240 V
	DC	6 ... 220 V
Must release voltage		AC: ≥ 0,15 U _n DC: ≥ 0,1 U _n
Operating range of supply voltage		see Tables 1, 2
Rated power consumption	AC	2,8 VA 50 Hz 2,5 VA 60 Hz
	DC	1,5 W

Insulation according to PN-EN 60664-1

Insulation rated voltage		250 V AC
Rated surge voltage		2 500 V 1,2 / 50 µs
Overtoltage category		III
Insulation pollution degree		3
Dielectric strength	• between coil and contacts	2 500 V AC type of insulation: basic
	• contact clearance	1 500 V AC type of clearance: micro-disconnection
	• pole - pole	2 000 V AC type of insulation: basic
Contact - coil distance	• clearance	≥ 3 mm
	• creepage	≥ 4,2 mm

General data

Operating / release time (typical values)		AC: 12 ms / 10 ms DC: 18 ms / 7 ms
Electrical life	• resistive AC1	> 2 x 10 ⁵ 10 A, 250 V AC
	• cosφ	see Fig. 2
Mechanical life (cycles)		> 2 x 10 ⁷
Dimensions (L x W x H)		35 x 35 x 54,4 mm
Weight		83 g
Ambient temperature	• storage	-40...+85 °C
	• operating	AC: -40...+55 °C DC: -40...+70 °C
Cover protection category		IP 40 PN-EN 60529
Environmental protection		RTI PN-EN 116000-3
Shock resistance		10 g
Vibration resistance		5 g 10...150 Hz
Solder bath temperature		max. 270 °C
Soldering time		max. 5 s

The data in bold type pertain to the standard versions of the relays.

R15 - 2 CO, 3 CO

industrial relays of small dimensions

Coil data - DC voltage version

Table 1

Coil code	Rated voltage V DC	Coil resistance at 20 °C Ω	Acceptable resistance	Coil operating range V DC	
				min. (at 20 °C)	max. (at 55 °C)
1006	6	28	$\pm 10\%$	4,8	6,6
1012	12	110	$\pm 10\%$	9,6	13,2
1024	24	430	$\pm 10\%$	19,2	26,4
1048	48	1 750	$\pm 10\%$	38,4	52,8
1060	60	2 700	$\pm 10\%$	48,0	66,0
1110	110	9 200	$\pm 10\%$	88,0	121,0
1120	120	11 000	$\pm 10\%$	96,0	132,0
1220	220	37 000	$\pm 10\%$	176,0	242,0

The data in bold type pertain to the standard versions of the relays.

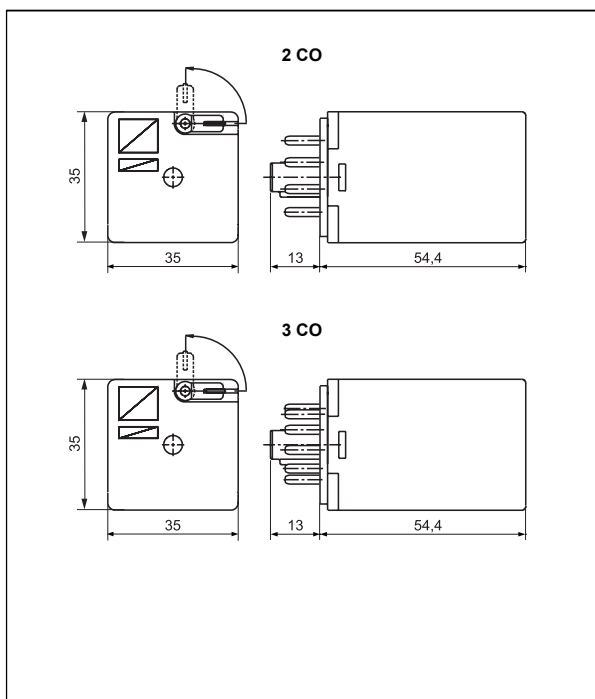
Coil data - AC 50/60 Hz voltage version

Table 2

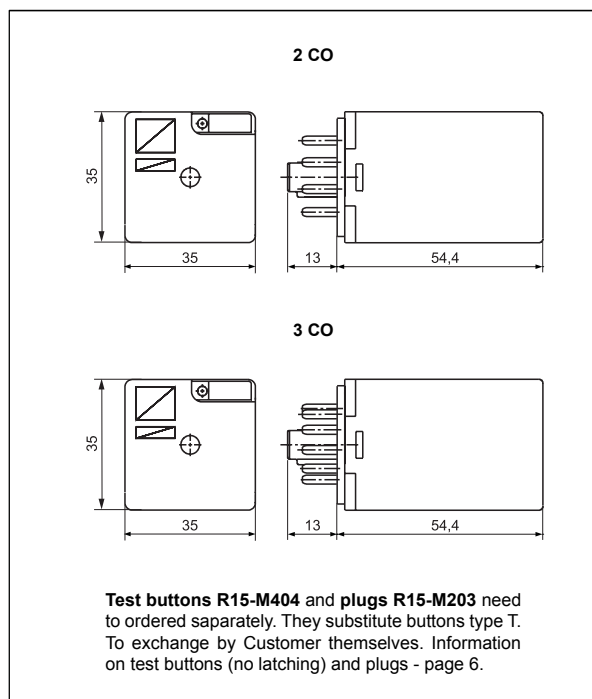
Coil code	Rated voltage V AC	Coil resistance at 20 °C Ω	Acceptable resistance	Coil operating range V AC	
				min. (at 20 °C)	max. (at 55 °C)
5006	6	4,3	$\pm 15\%$	4,8	6,6
5012	12	18,5	$\pm 15\%$	9,6	13,2
5024	24	75	$\pm 15\%$	19,2	26,4
5048	48	305	$\pm 15\%$	38,4	52,8
5060	60	475	$\pm 15\%$	48,0	66,0
5115	115	1 840	$\pm 15\%$	92,0	126,5
5120	120	1 910	$\pm 15\%$	96,0	132,0
5220	220	6 980	$\pm 15\%$	176,0	242,0
5230	230	7 080	$\pm 15\%$	184,0	253,0
5240	240	7 760	$\pm 15\%$	192,0	264,0

The data in bold type pertain to the standard versions of the relays.

**Dimensions - plug-in version (WT),
with lockable front test button type T**



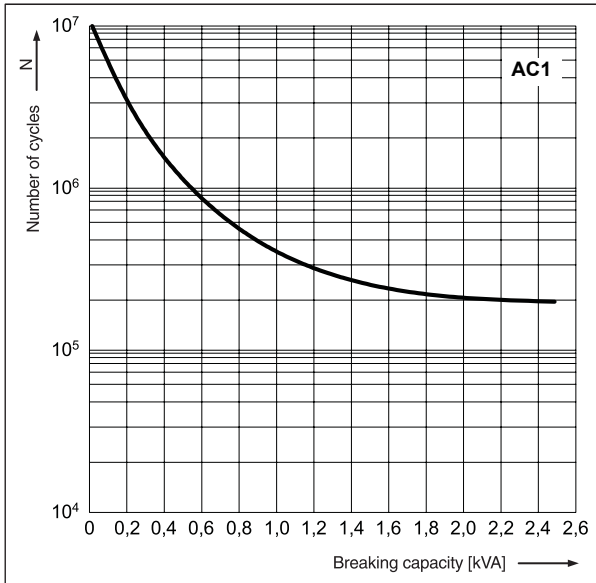
**Dimensions - plug-in version, with test button
(no latching) or with plug (no manual operation)**



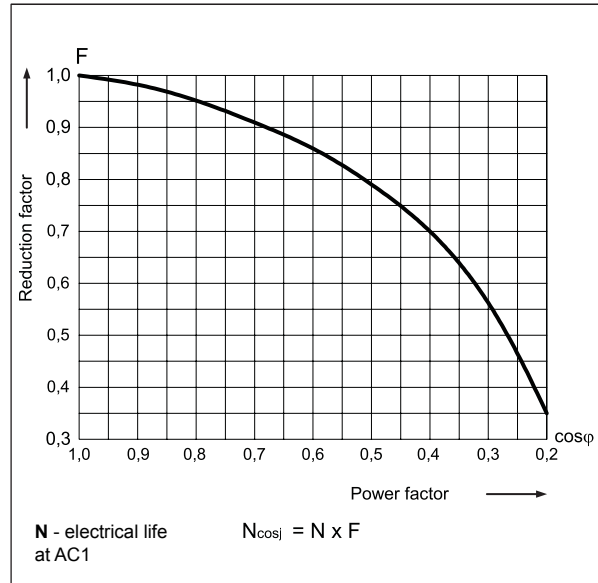
R15 - 2 CO, 3 CO

industrial relays of small dimensions

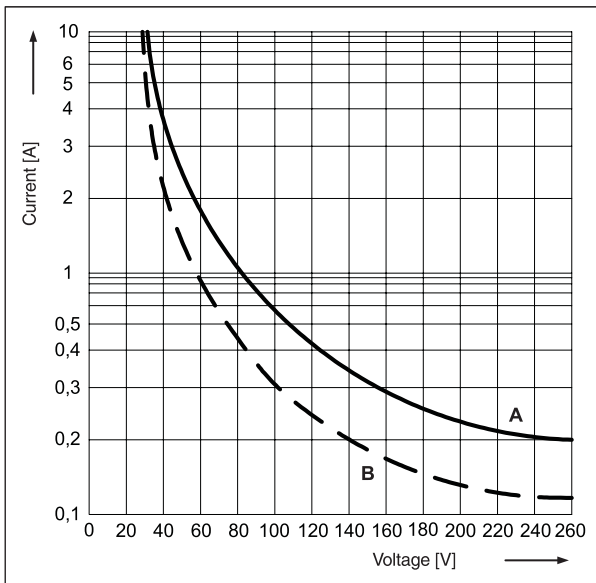
Electrical life at AC resistive load.
Switching frequency: 1 200 cycles/hour Fig. 1



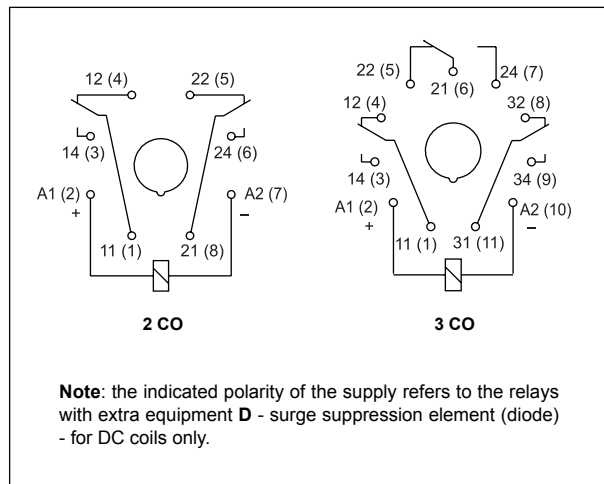
Electrical life reduction factor at AC inductive load Fig. 2



Max. DC breaking capacity
A - resistive load DC1
B - inductive load L/R = 40 ms Fig. 3



Connection diagrams (pin side view)



Mounting

Relays **R15 - 2 CO** are designed for: • screw terminals plug-in sockets **PZ8** with clip **PZ11 0031**, 35 mm rail mount acc. to PN-EN 60715 or on panel mounting with two M3 screws • screw terminals plug-in sockets **GZU8** with clip **GZU 1052**, 35 mm rail mount acc. to PN-EN 60715 • screw terminals plug-in sockets **GZ8** with clip **GZ 1050**, on panel mounting with two M3 screws • screw terminals plug-in sockets **GZS8**, 35 mm rail mount acc. to PN-EN 60715 or on panel mounting with two M3 screws • screw terminals plug-in sockets **GZP8** with clip **GZP-0054**, 35 mm rail mount acc. to PN-EN 60715 or on panel mounting with two M3 screws • solder terminals sockets **GOP8** with clip **R159 1051** and spring clamp **R15 5922**.

Relays **R15 - 3 CO** are designed for: • screw terminals plug-in sockets **PS11** and **PZ11** with clip **PZ11 0031**, 35 mm rail mount acc. to PN-EN 60715 or on panel mounting with two M3 screws • screw terminals plug-in sockets **GZU11** with clip **GZU 1052**, 35 mm rail mount acc. to PN-EN 60715 • screw terminals plug-in sockets **GZ11** with clip **GZ 1050**, on panel mounting with two M3 screws • screw terminals plug-in sockets **GZS11**, 35 mm rail mount acc. to PN-EN 60715 or on panel mounting with two M3 screws • screw terminals plug-in sockets **GZP11** with clip **GZP-0054**, 35 mm rail mount acc. to PN-EN 60715 or on panel mounting with two M3 screws • solder terminals sockets **GOP11** with clip **R159 1051** and spring clamp **R15 5922**.

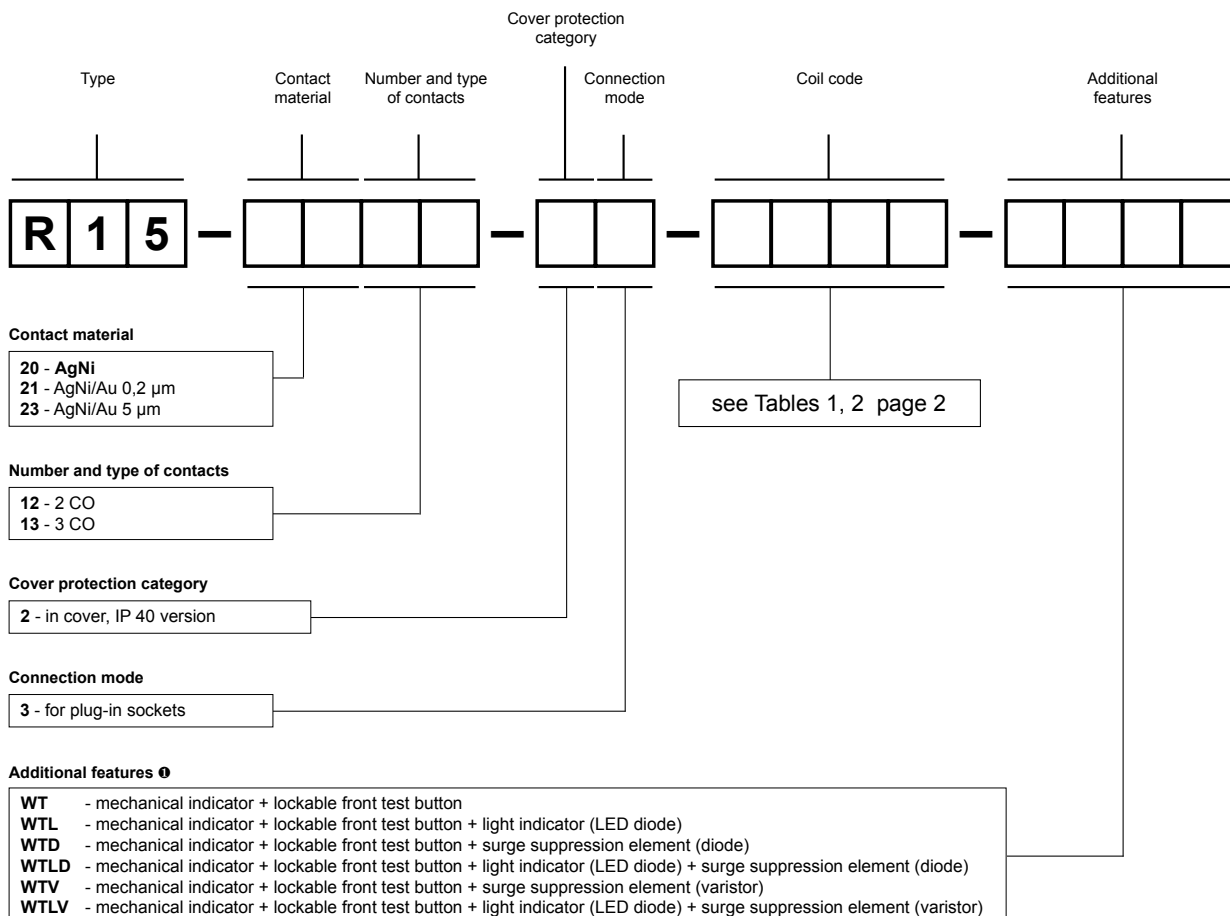
R15 - 2 CO, 3 CO

industrial relays of small dimensions

Mounting

Relays **R15 - 2 CO, 3 CO** are offered in versions for plug-in sockets, with **WT features as standard** (**W** - mechanical indicator + **T** - lockable front test button). In these relays is **possibility self-exchange of button type T for test button R15-M404** (no latching) or on plug **R15-M203** (no manual operation). The buttons **R15-M404** and the plugs **R15-M203** need to ordered separately.

Ordering codes



❶ **WT** - standard features of relays for plug-in sockets. **WTD, WTL D** - only for DC coils, **WTV, WTLV** - only for AC coils

Test buttons (no latching) and plugs need to ordered separately. They substitute buttons type T. To exchange by Customer themselves.

Information on test buttons (no latching) and plugs - page 6.

- Button R15-M404-A - orange colour (AC coils)
- Button R15-M404-D - green colour (DC coils)
- Plug R15-M203-A - orange colour (AC coils)
- Plug R15-M203-D - green colour (DC coils)

Note:

For relays with additional features **D** - surge suppression element (diode) (versions **WTD** and **WTL D**) - fixed supply polarity compulsory for the DC load of coils: +A1(2) / -A2(7) for R15 - 2 CO and +A1(2) / -A2(10) for R15 - 3 CO. The polarity is indicated on the relay cover. For other versions of the relays with DC coils any polarity is possible.

Examples of ordering codes:

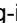

R15-2012-23-1024-WT



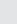

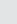

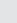
relay **R15**, for plug-in sockets, two changeover contacts, contact material AgNi, coil voltage 24 V DC, with mechanical indicator and lockable front test button, in cover IP 40


R15-2013-23-5230-WTL

relay **R15**, for plug-in sockets, three changeover contacts, contact material AgNi, coil voltage 230 V AC 50/60 Hz, with mechanical indicator and lockable front test button and light indicator (LED diode), in cover IP 40

Additional features for industrial relays

Industrial relays for plug-in sockets: R2N, R3N, R4N, R15 - 2 CO , R15 - 3 CO  with **WT features as standard** (**W** - mechanical indicator + **T** - lockable front test button). **Detailed information** on additional features of individual relays can be found in the data sheets on the side of "Ordering codes".

Type 	Description	For industrial relays
W	mechanical indicator	R2N, R3N, R4N, (R15 - 2 CO, 3 CO )
T	lockable front test button, orange colour - AC coils, green colour - DC coils	R2N, R3N, R4N, (R15 - 2 CO, 3 CO )
L	light indicator (LED diode), located inside the relay	R2N, R3N, R4N, RY2, (R15 - 2 CO, 3 CO, 4 CO ) RUC, RUC-M
D	surge suppression element (diode) - only for DC coils	R2N, R3N, R4N, RY2, (R15 - 2 CO, 3 CO, 4 CO )
V	surge suppression element (varistor) - only for AC coils	(R15 - 2 CO, 3 CO )
K	test button without block function	(R15 - 4 CO ) RUC

 Available combinations:

WT, WTL, WTD, WTL D - in relays R2N, R3N, R4N for plug-in sockets


L, D, LD - in relays RY2 for plug-in sockets

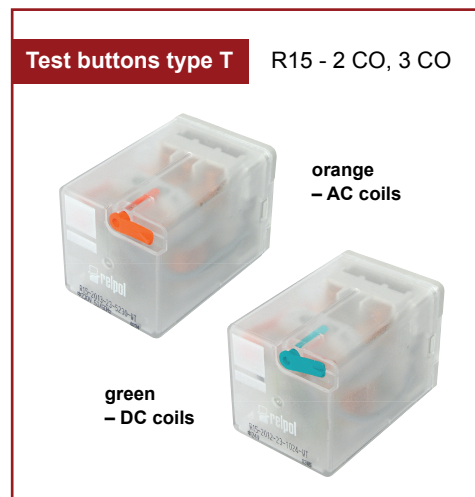
WT, WTL, WTD, WTL D, WTV, WTL V - in relays R15 - 2 CO, 3 CO for plug-in sockets

K, L, D, KL, KD, LD, KLD - in relays R15 - 4 CO for plug-in sockets

K, L, KL - in relays RUC

L - in relays RUC-M

 Voltage versions, in covers



Test buttons (no latching) and plugs

Test buttons (no latching) are recommended for R2N...WT, R3N...WT, R4N...WT, R15...WT 2 CO, R15...WT 3 CO relays - **for applications that do not allow permanent contact latching**. By manual operation (pressing the button) relay contacts can get switched for as long time as long the button is pressed. Contacts return to initial position as soon as pressure is released from the button. Those operations can be done while the coil is deenergized.

Button **R4P-0001** or **R15-M404** can be easily inserted by the Customer after removal of button type **T** (see Fig. 2). Button type **T** can be removed with screwdriver as shown on Fig. 1.

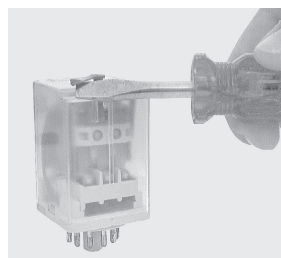


Fig. 1

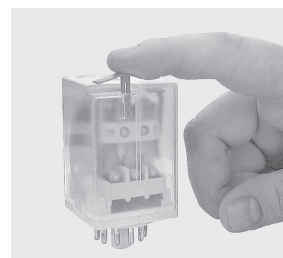
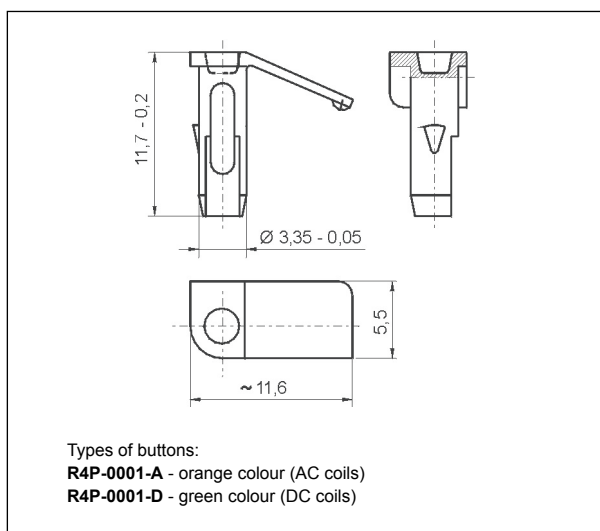
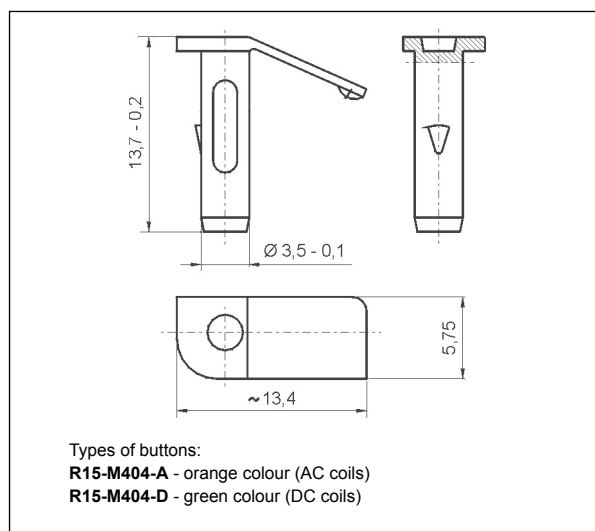


Fig. 2

Dimensions - test button R4P-0001 for R2N...WT, R3N...WT, R4N...WT

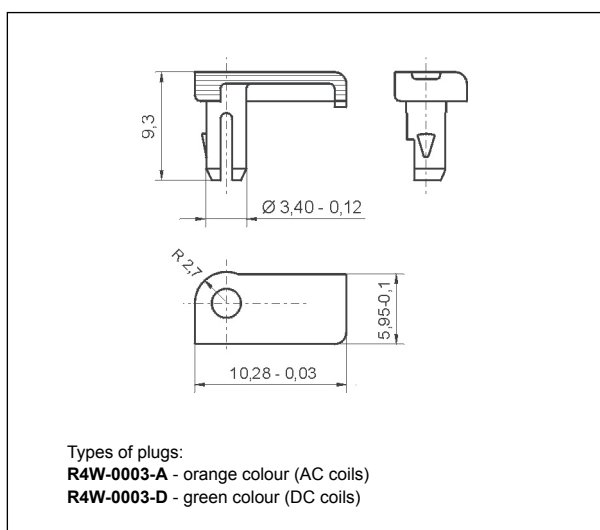


Dimensions - test button R15-M404 for R15...WT 2 CO, R15...WT 3 CO

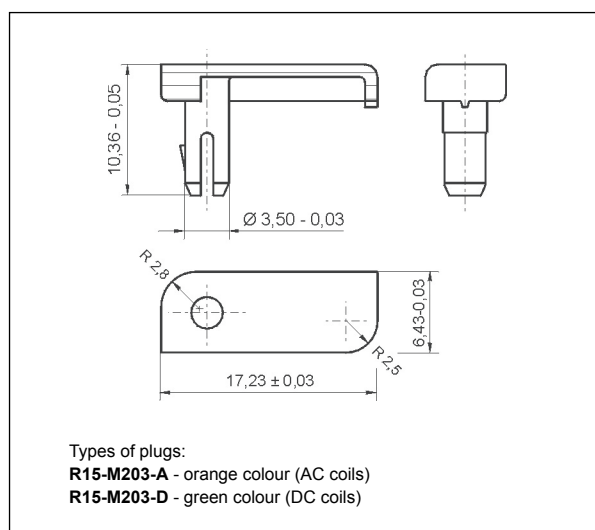


Plugs R4W-0003 or **R15-M203** can substitute button type **T** if **manual operation (latching and testing) is not allowed**. Changing button type **T** for plug can be done by Customer themselves in the same way as changing button type **T** for button (no latching).

Dimensions - plug R4W-0003 for R2N...WT, R3N...WT, R4N...WT



Dimensions - plug R15-M203 for R15...WT 2 CO, R15...WT 3 CO

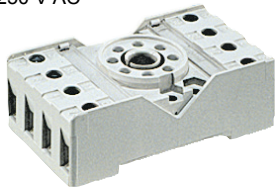


Plug-in sockets and accessories

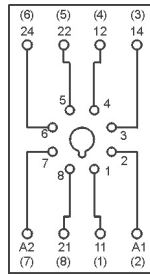
PZ8 6

For R15 - 2 CO

Screw terminals
Max. tightening moment
for the terminal: 0,7 Nm
35 mm rail mount
acc. to PN-EN 60715
or on panel mounting
68,2 x 38 x 24,2 mm
Two poles
10 A, 250 V AC



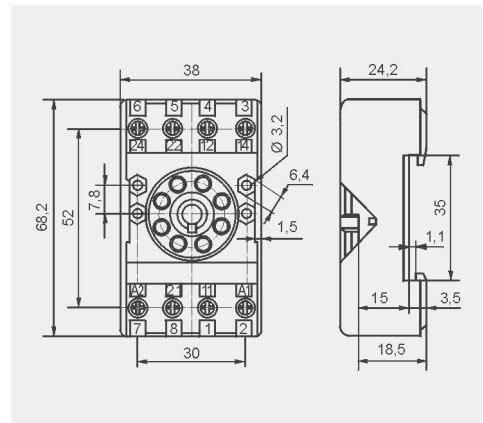
Connection diagram



PZ11 0031

Accessories

Dimensions



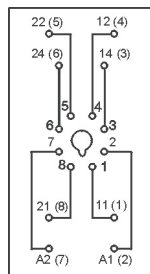
GZU8

For R15 - 2 CO

Screw terminals
Max. tightening moment
for the terminal: 0,7 Nm
35 mm rail mount
acc. to PN-EN 60715
82 x 35,5 x 25,7 mm
Two poles
10 A, 300 V AC



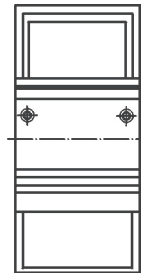
Connection diagram



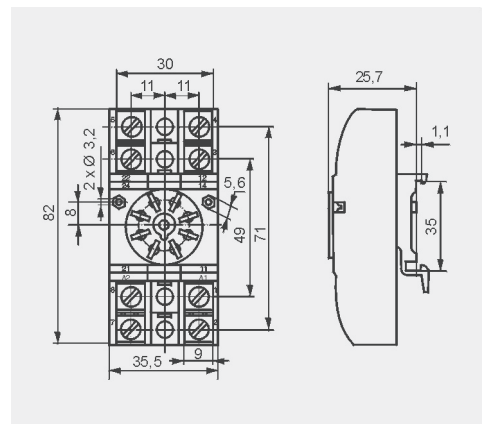
GZU 1052

Accessories

Adaptor



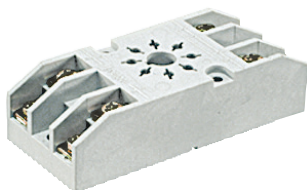
Dimensions



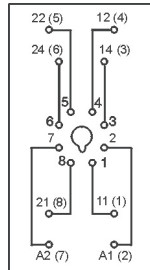
GZ8

For R15 - 2 CO

Screw terminals
Max. tightening moment
for the terminal: 0,7 Nm
On panel mounting
82,8 x 35,5 x 22,5 mm
Two poles
10 A, 300 V AC



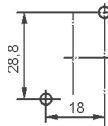
Connection diagram



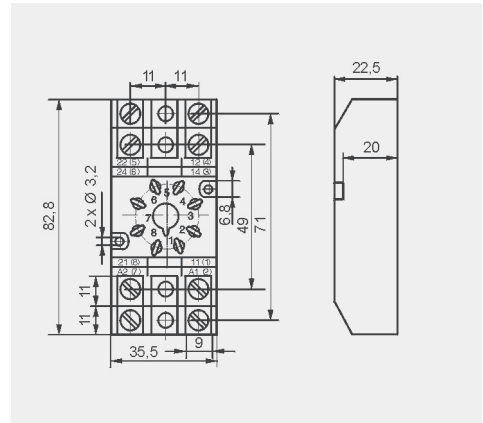
GZ 1050

Accessories

Mounting dimensions



Dimensions



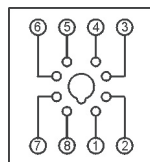
GZS8

For R15 - 2 CO

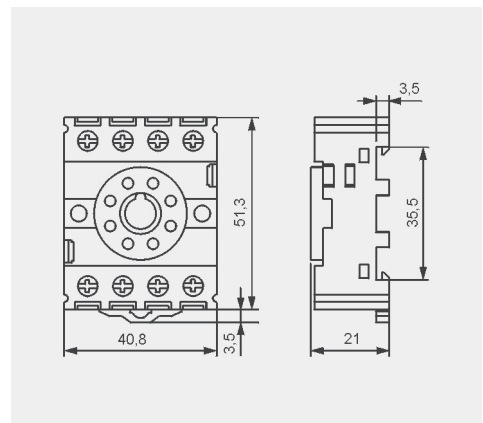
Screw terminals
Max. tightening moment
for the terminal: 1,0 Nm
35 mm rail mount
acc. to PN-EN 60715
or on panel mounting
51,3 x 40,8 x 21 mm
Two poles
10 A, 300 V AC



Connection diagram



Dimensions



6 Have obtained LR Type Approval Certificate (Lloyd's Register).

Plug-in sockets and accessories

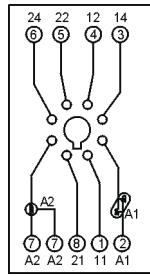
GZP8

For R15 - 2 CO

Screw terminals
Max. tightening moment
for the terminal: 0,5 Nm
35 mm rail mount
acc. to PN-EN 60715
or on panel mounting
73 x 38,2 x 27,2 mm
Two poles
12 A, 300 V AC



Connection diagram



Time module COM3



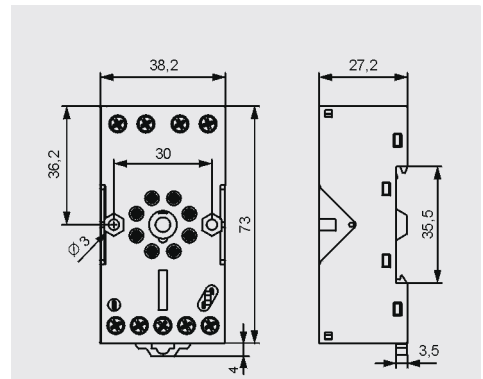
GZP-0054



GZP-0035

Accessories

Dimensions



GOP8

For R15 - 2 CO

Solder terminals
47,2 x 32 x 22 mm
Two poles
10 A, 250 V AC



Accessories

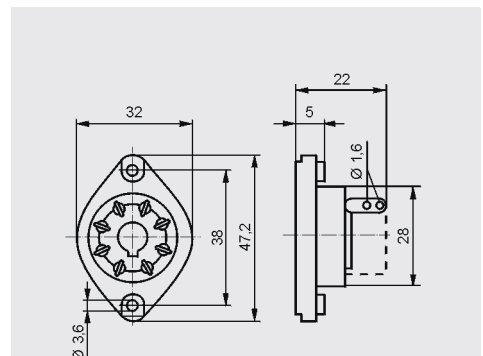


R159 1051



R15 5922

Dimensions



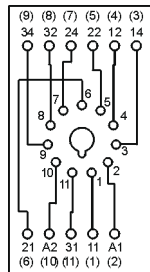
PS11 6

For R15 - 3 CO

Screw terminals
Max. tightening moment
for the terminal: 0,7 Nm
35 mm rail mount
acc. to PN-EN 60715
or on panel mounting
68,2 x 38 x 24,2 mm
Three poles
10 A, 250 V AC



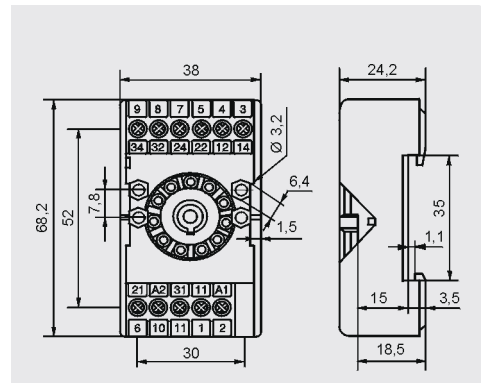
Connection diagram



PZ11 0031

Accessories

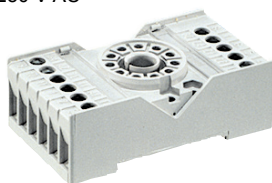
Dimensions



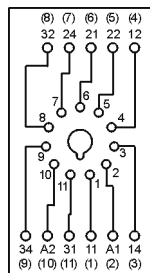
PZ11 6

For R15 - 3 CO

Screw terminals
Max. tightening moment
for the terminal: 0,7 Nm
35 mm rail mount
acc. to PN-EN 60715
or on panel mounting
68,2 x 38 x 24,2 mm
Three poles
10 A, 250 V AC



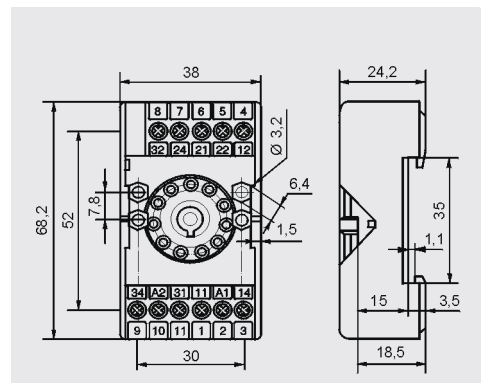
Connection diagram



PZ11 0031

Accessories

Dimensions



6 Have obtained LR Type Approval Certificate (Lloyd's Register).

Plug-in sockets and accessories

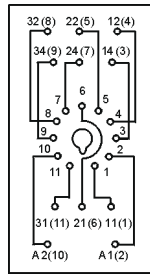
GZU11

For R15 - 3 CO

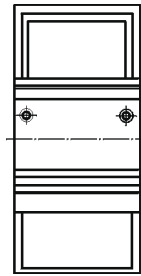
Screw terminals
Max. tightening moment
for the terminal: 0,7 Nm
35 mm rail mount
acc. to PN-EN 60715
82 x 35,5 x 25,7 mm
Three poles
10 A, 250 V AC



Connection diagram

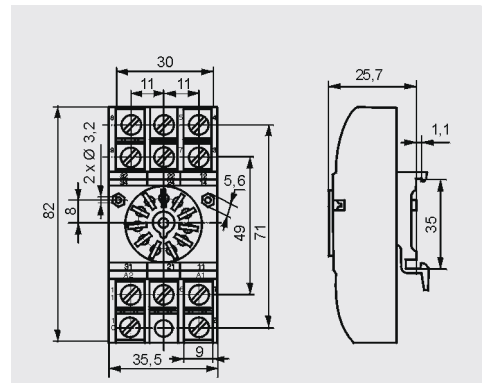


Adaptor



GZU 1052

Dimensions

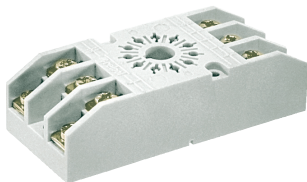


Accessories

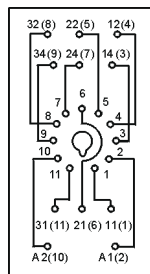
GZ11

For R15 - 3 CO

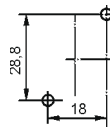
Screw terminals
Max. tightening moment
for the terminal: 0,7 Nm
On panel mounting
82,8 x 35,5 x 22,5 mm
Three poles
10 A, 250 V AC



Connection diagram

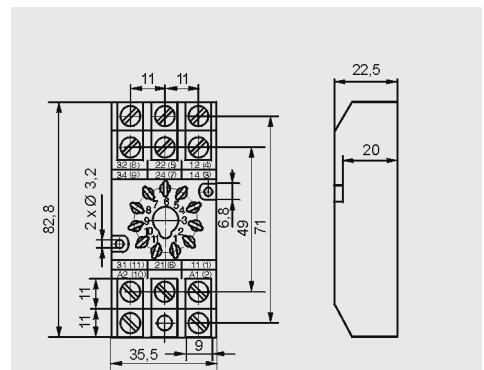


Mounting dimensions



GZ 1050

Dimensions

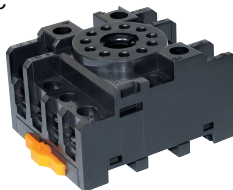


Accessories

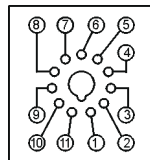
GZS11

For R15 - 3 CO

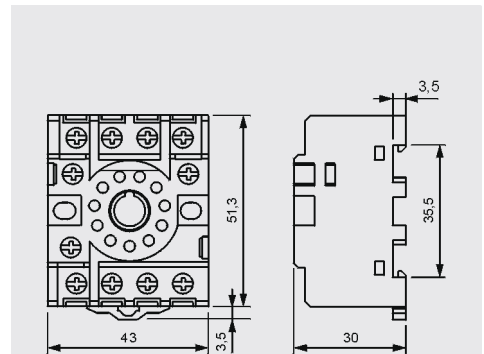
Screw terminals
Max. tightening moment
for the terminal: 1,0 Nm
35 mm rail mount
acc. to PN-EN 60715
or on panel mounting
51,3 x 43 x 30 mm
Three poles
10 A, 300 V AC



Connection diagram



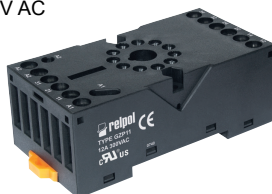
Dimensions



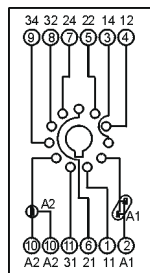
GZP11

For R15 - 3 CO

Screw terminals
Max. tightening moment
for the terminal: 0,5 Nm
35 mm rail mount
acc. to PN-EN 60715
or on panel mounting
73 x 38,2 x 27,2 mm
Three poles
12 A, 300 V AC



Connection diagram



Time module COM3

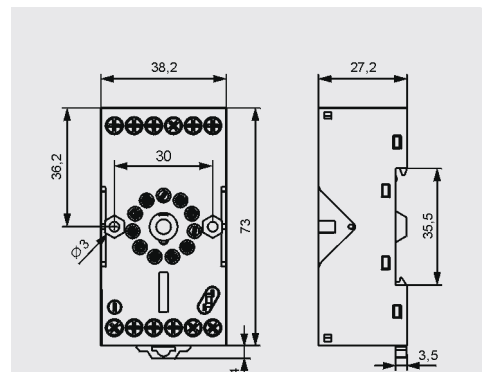


GZP-0054



GZP-0035

Dimensions



Accessories

Plug-in sockets and accessories

GOP11

For R15 - 3 CO

Solder terminals
47,2 x 32 x 22 mm
Three poles
10 A, 250 V AC

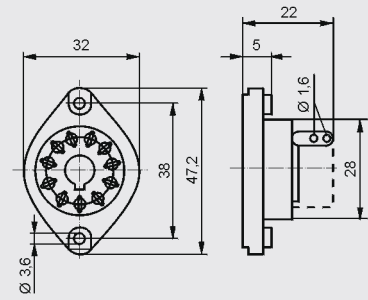


Accessories

R159 1051

R15 5922

Dimensions



PZ8 / PZ11

Screw terminals
plug-in sockets for
R15 - 2 CO / 3 CO



PRECAUTIONS:

1. Ensure that the parameters of the product described in its specification provide a safety margin for the appropriate operation of the device or system and never use the product in circumstances which exceed the parameters of the product. 2. Never touch any live parts of the device. 3. Ensure that the product has been connected correctly. An incorrect connection may cause malfunction, excessive heating or risk of fire. 4. In case of any risk of any serious material loss or death or injuries of humans or animals, the devices or systems shall be designed so to equip them with double safety system to guarantee their reliable operation.

X-ON Electronics

Largest Supplier of Electrical and Electronic Components

Click to view similar products for [General Purpose Relays](#) category:

Click to view products by [Relpol](#) manufacturer:

Other Similar products are found below :

[PCN-105D3MH,000](#) [59641F200](#) [5JO-1000CD-SIL](#) [LY1SAC110120](#) [5X827E](#) [5X837F](#) [5X840F](#) [5X842F](#) [5X848E](#) [LY2N-AC120](#) [LY2S-AC220/240](#) [LY2-US-AC120](#) [LY3-US-AC120](#) [LY4F-UA-DC12](#) [LY4F-UA-DC24](#) [LY4F-US-AC120](#) [LY4F-US-AC240](#) [LY4F-US-DC24](#) [LY4F-VD-AC110](#) [LYQ20DC12](#) [M115C60](#) [M115N010](#) [M115N0150](#) [6031007G](#) [603-12D](#) [61211T0B4](#) [61212T400](#) [61222Q400](#) [61243B600](#) [61243C500](#) [61243Q400](#) [61311BOA2](#) [61311BOA6](#) [61311BOA8](#) [61311C0A2](#) [61311COA1](#) [61311COA6](#) [61311F0A2](#) [61311QOA1](#) [61311QOA4](#) [61311T0D6](#) [61311TOA6](#) [61311TOA7](#) [61311TOB3](#) [61311TOB4](#) [61311U0A6](#) [61312Q600](#) [61312T400](#) [61312T600](#) [61313U200](#)