



RSR30

solid state relays, miniature



- DC or AC random-on switching • DC control input
- TTL and CMOS drive compatible
- Triac (AC) or MOSFET (DC) output • Load current 1...4 A
- Load voltage 24, 48, 100 V DC or 240 V AC
- Galvanic separation
- RC protection (AC: built-in resistor, capacitor)
- For PCB and plug-in sockets
- Recognitions, certifications, directives: RoHS,  

Applications

Factory, office and household appliances, light systems, temperature and industrial automatic control systems.



Basic technical data

Load voltage: 24 V DC, 48 V DC, 100 V DC, 240 V AC

Control input: DC

Max. load current: 1 A, 2 A, 2,5 A, 4 A

Type		DC switching	AC random-on
Load voltage	Control voltage	Max. load current	
		1 A	2 A
100 V DC	5 V DC	RSR30-D05-D1-24-010-1	
	12 V DC	RSR30-D12-D1-24-010-1	
	24 V DC	RSR30-D24-D1-24-010-1	
	48 V DC	RSR30-D48-D1-24-010-1	
240 V AC	5 V DC		RSR30-D05-A1-24-020-1
	12 V DC		RSR30-D12-A1-24-020-1
	24 V DC		RSR30-D24-A1-24-020-1

Type		DC switching	DC switching
Load voltage	Control voltage	Max. load current	
		2,5 A	4 A
24 V DC	5 V DC		RSR30-D05-D1-02-040-1
	12 V DC		RSR30-D12-D1-02-040-1
	24 V DC		RSR30-D24-D1-02-040-1
	48 V DC		RSR30-D48-D1-02-040-1
48 V DC	5 V DC	RSR30-D05-D1-04-025-1	
	12 V DC	RSR30-D12-D1-04-025-1	
	24 V DC	RSR30-D24-D1-04-025-1	
	48 V DC	RSR30-D48-D1-04-025-1	

RSR30

solid state relays, miniature

Input circuit

DC switching

	RSR30-D05-D1-...	RSR30-D12-D1-...
Rated voltage	5 V DC	12 V DC
Control voltage range	3...10 V DC	7...20 V DC
Release voltage	1,8 V DC	3,6 V DC
Max. control current	12 mA	10 mA
Input resistance	0,32 k Ω	1,07 k Ω

Input circuit


DC switching

	RSR30-D24-D1-...	RSR30-D48-D1-...
Rated voltage	24 V DC	48 V DC
Control voltage range	18...32 V DC	38...58 V DC
Release voltage	8,3 V DC	8,3 V DC
Max. control current	7,7 mA	4,4 mA
Input resistance	3,0 k Ω	10,8 k Ω

Output circuit

DC switching

	RSR30-D05-D1-24-010-1 RSR30-D12-D1-24-010-1 RSR30-D24-D1-24-010-1 RSR30-D48-D1-24-010-1	RSR30-D05-D1-04-025-1 RSR30-D12-D1-04-025-1 RSR30-D24-D1-04-025-1 RSR30-D48-D1-04-025-1	RSR30-D05-D1-02-040-1 RSR30-D12-D1-02-040-1 RSR30-D24-D1-02-040-1 RSR30-D48-D1-02-040-1
Rated load current	0,4 A	1 A	2 A
Max. load current	1 A	2,5 A	4 A
Rated load voltage (rest condition)	100 V DC	48 V DC	24 V DC
Load voltage range	0...180 V DC	0...60 V DC	0...32 V DC
Non-repetitive peak voltage (rest condition)	180 V DC	100 V DC	60 V DC
Non-repetitive surge current (operating state)	6 A	6 A	6 A
Max. off-state leakage current (rest condition)	1 mA	1 mA	1 mA
Max. on-state voltage drop (operating state)	0,6 V DC	0,4 V DC	0,24 V DC
Min. load current (operating state)	1 mA	1 mA	1 mA
Resistance in operating state	1,5 Ω	0,16 Ω	0,12 Ω
Peak power dissipation	600 W	600 W	600 W
Switching frequency	10 Hz	10 Hz	10 Hz
Max. voltage of suppressor operation	180 V DC	60 V DC	36 V DC
Maximum turn-on time (at rated voltage)	0,05 ms	0,05 ms	0,05 ms
Maximum turn-off time (at rated voltage)	0,6 ms	0,6 ms	0,6 ms
Dielectric strength	input - output: 2 500 V _{rms} 50/60 Hz	input - output: 3 750 V _{rms} 50/60 Hz	input - output: 3 750 V _{rms} 50/60 Hz
Ambient temperature (non-condensation and/or icing)	storage: -25...+100 °C operating: -20...+80 °C (+55 °C rated value)	storage: -25...+100 °C operating: -20...+80 °C (+55 °C rated value)	storage: -25...+100 °C operating: -20...+80 °C (+55 °C rated value)

 Data given for ambient temperature ≤ 20 °C. Above 20 °C the maximum current decreases - see "Thermal derating curve", page 4.

08.11.2022

RSR30

solid state relays, miniature

Input circuit

AC random-on

	RSR30-D05-A1-...	RSR30-D12-A1-...	RSR30-D24-A1-...
Rated voltage	5 V DC	12 V DC	24 V DC
Control voltage range	3...10 V DC	7...20 V DC	18...32 V DC
Release voltage	1 V DC	1 V DC	1 V DC
Max. control current	12 mA	10 mA	7,7 mA
Input resistance	0,3 k Ω	1,01 k Ω	3,0 k Ω

Output circuit ❶

AC random-on

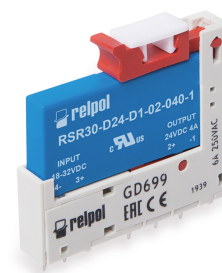
	RSR30-D05-A1-24-020-1 RSR30-D12-A1-24-020-1 RSR30-D24-A1-24-020-1
Rated load current	1 A
Max. load current	2 A
Rated load voltage (rest condition)	240 V AC
Load voltage range	12...280 V AC
Non-repetitive peak voltage (rest condition)	600 V AC
Non-repetitive surge current (operating state)	80 A
Max. off-state leakage current (rest condition)	1,5 mA
Max. on-state voltage drop (operating state)	1,2 V DC
Min. load current (operating state)	50 mA
Maks. szybkość dV/dt (off-state) ❷	500 V/ μ s
Voltage frequency range	47...400 Hz
RC snubber	10 nF 100 Ω
Maximum turn-on time (at rated voltage)	0,1 ms
Maximum turn-off time (at rated voltage)	1/2 cycle + 1 ms
Dielectric strength	input - output: 4 000 Vrms 50/60 Hz
Ambient temperature (non-condensation and/or icing)	storage: -40...+100 °C operating: -20...+80 °C (+55 °C rated value)

❶ Data given for ambient temperature ≤ 20 °C. Above 20 °C the maximum current decreases - see "Thermal derating curve", page 4.

❷ Najwyższa wartość „szybkości narastania napięcia w stanie wyłączenia”, która nie powoduje przełączenia ze stanu wyłączenia do stanu włączenia.

GD699

Plug-in sockets
for PCB
for RM699BV, RSR30
- see page 7



RSR30

solid state relays, miniature

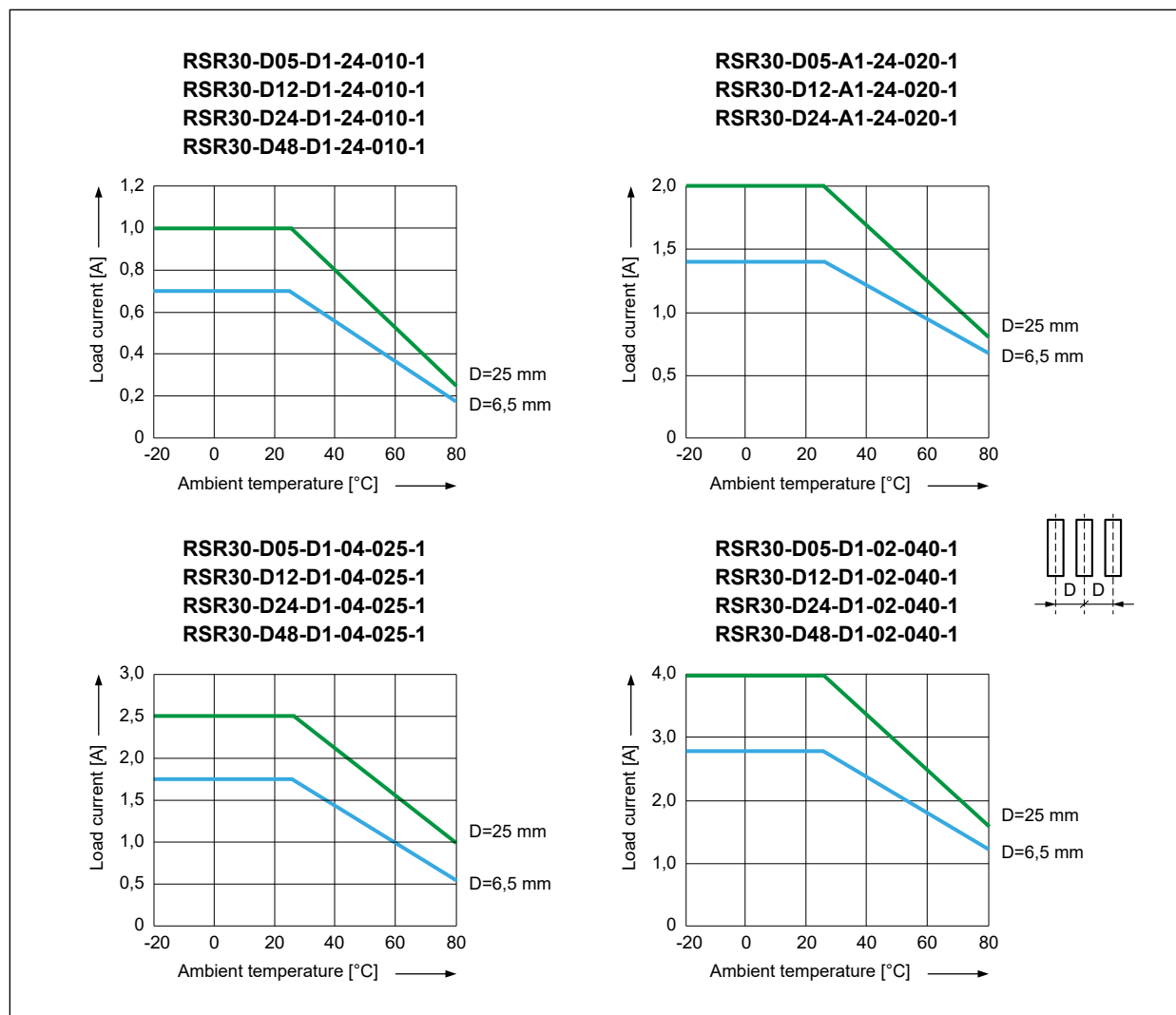
Mechanical data

	RSR30-...
Dimensions (L x W x H)	28 x 5 x 15 mm
Weight (typical)	4 g
Protection category EN 60529	IP 00
Application	PCB, plug-in sockets
Solder bath temperature	max. 260 °C max. 10 s

Mounting

Relays **RSR30** are designed for: • direct PCB mounting • plug-in sockets.

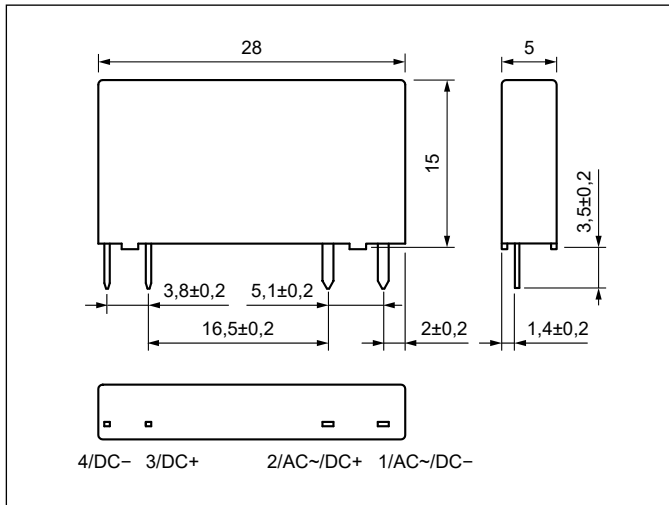
Characteristics of the capacity



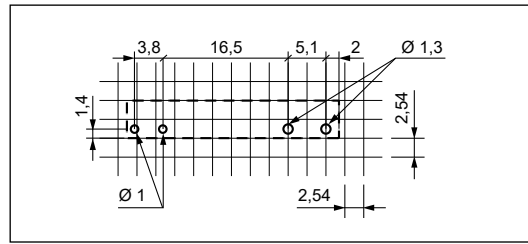
RSR30

solid state relays, miniature

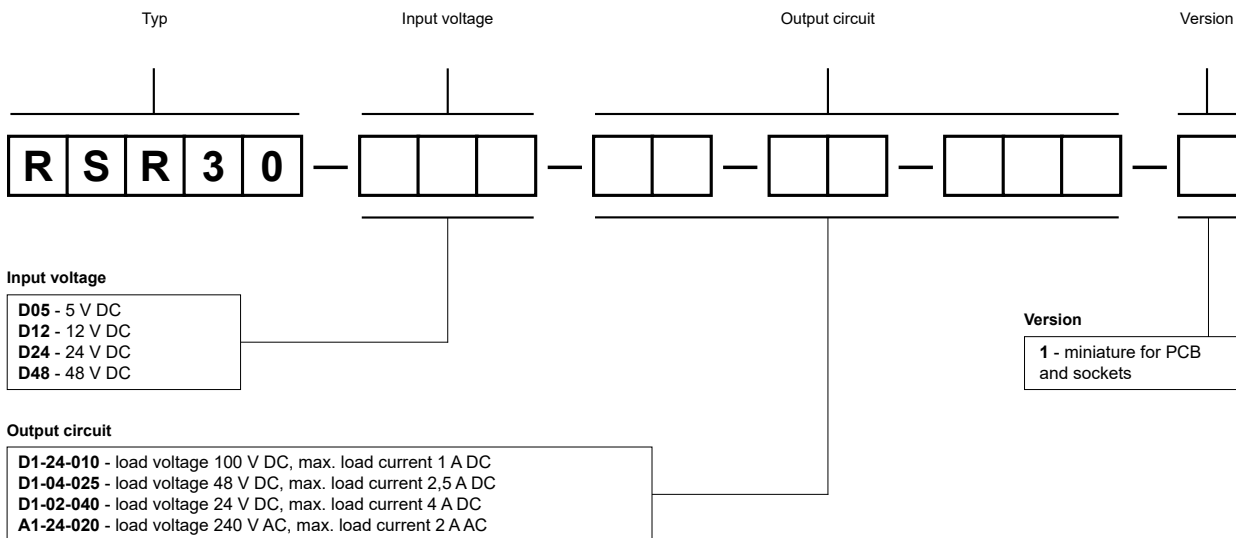
Dimensions



Pinout (solder side view)



Ordering codes



Examples of ordering codes ☺:

- RSR30-D05-D1-24-010-1** relay **RSR30**, miniature for PCB and sockets, DC control, input voltage 5 V DC, load voltage 100 V DC, load current 1 A
- RSR30-D12-D1-04-025-1** relay **RSR30**, miniature for PCB and sockets, DC control, input voltage 12 V DC, load voltage 48 V DC, load current 2,5 A
- RSR30-D48-D1-02-040-1** relay **RSR30**, miniature for PCB and sockets, DC control, input voltage 48 V DC, load voltage 24 V DC, load current 4 A
- RSR30-D24-A1-24-020-1** relay **RSR30**, miniature for PCB and sockets, random-on switching, DC control, input voltage 24 V DC, load voltage 240 V AC (single-phase), load current 2 A

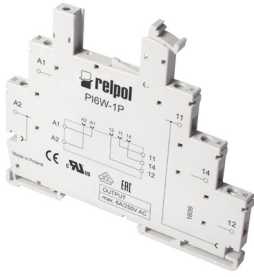
☺ Ordering codes **RSR30** are specified in table "Type" on page 1.

Sockets and accessories

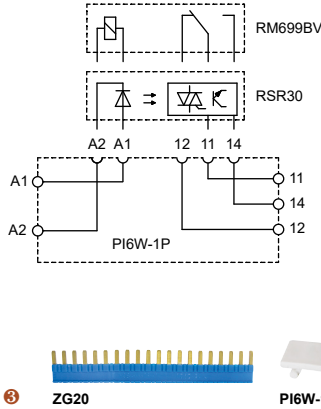
PI6W-1P ①

For RM699BV, RSR30

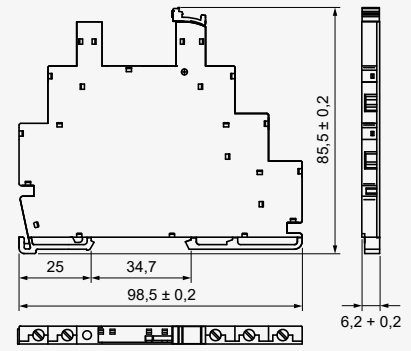
Screw terminals
Max. tightening moment
for the terminal: 0,3 Nm
35 mm rail mount
acc. to EN 60715
98,5 x 6,2 x 85,5 mm
One pole
6 A, 250 V AC



Connection diagram



Dimensions



Accessories ③

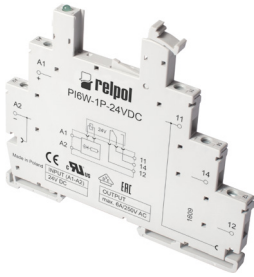
ZG20

PI6W-1246

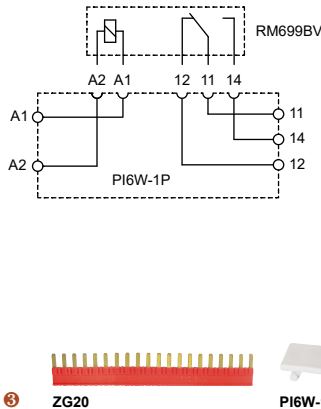
PI6W-1P ②

For RM699BV

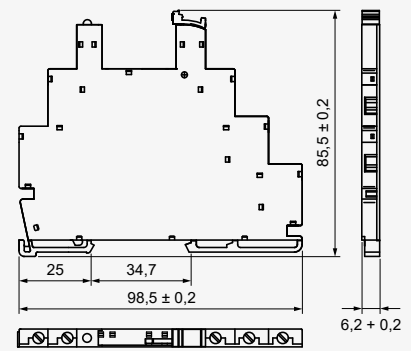
Screw terminals
Max. tightening moment
for the terminal: 0,3 Nm
35 mm rail mount
acc. to EN 60715
98,5 x 6,2 x 85,5 mm
One pole
6 A, 250 V AC



Connection diagram



Dimensions



Accessories ③

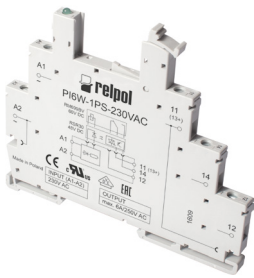
ZG20

PI6W-1246

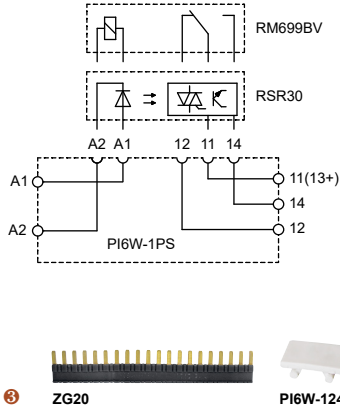
PI6W-1PS ②

For RM699BV, RSR30

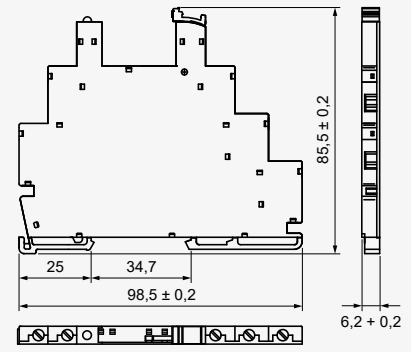
Screw terminals
Max. tightening moment
for the terminal: 0,3 Nm
35 mm rail mount
acc. to EN 60715
98,5 x 6,2 x 85,5 mm
One pole
6 A, 250 V AC



Connection diagram



Dimensions



Accessories ③

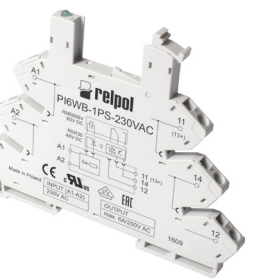
ZG20

PI6W-1246

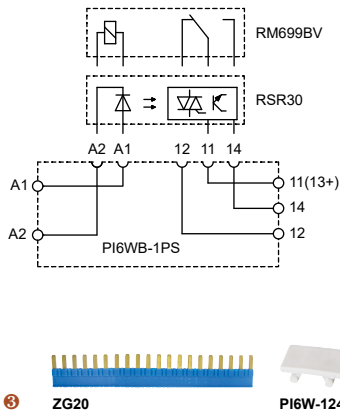
PI6WB-1PS ②

For RM699BV, RSR30

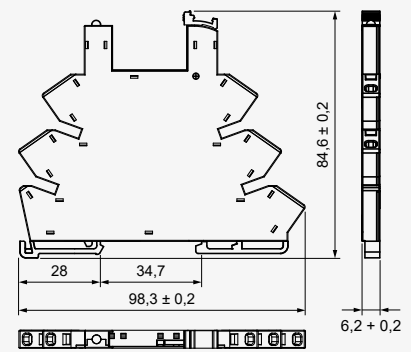
Spring terminals
35 mm rail mount
acc. to EN 60715
98,3 x 6,2 x 84,6 mm
One pole
6 A, 250 V AC



Connection diagram



Dimensions



Accessories ③

ZG20

PI6W-1246

① Sockets without electronic. ② Sockets with electronic PI6W., 6W.: version codes and selection of relays for sockets can be found in the data sheets of interface relays PIR6W., SIR6W. - see www.repol.com.pl ③ Colours of strips: ZG20-1, JB20-1 red; ZG20-2, JB20-2 black; ZG20-3, JB20-3 blue.

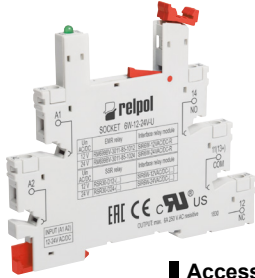
Sockets and accessories

6W ²

For RM699BV, RSR30

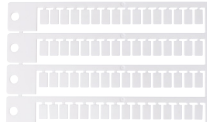
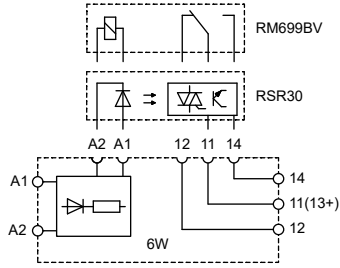
Screw terminals; Max. cross section of the cables:
 1 x 2,5 mm² / 2 x 1,5 mm²
 Stripping length: 7 mm
 Max. tightening moment for the terminal: 0,5 Nm

35 mm rail mount acc. to EN 60715
 88,6 x 6,2 x 76 mm
 One pole
 6 A, 250 V AC



Accessories ³

Connection diagram



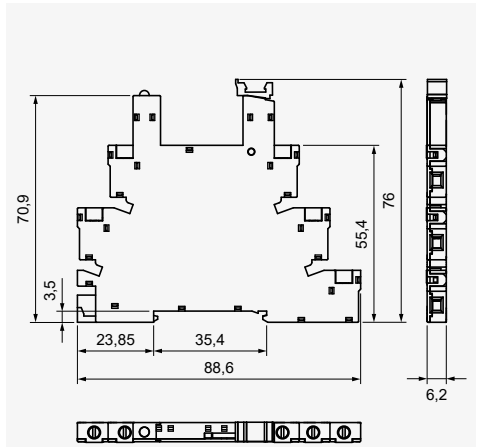
MP6-C

JB20



6W-SEP

Dimensions

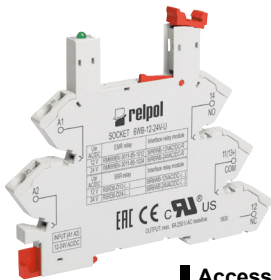


6WB ²

For RM699BV, RSR30

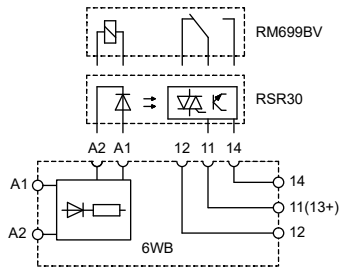
Spring terminals
 Max. cross section of the cables: 1 x 2,5 mm²
 Stripping length: 7 mm

35 mm rail mount acc. to EN 60715
 95 x 6,2 x 76,6 mm
 One pole
 6 A, 250 V AC



Accessories ³

Connection diagram



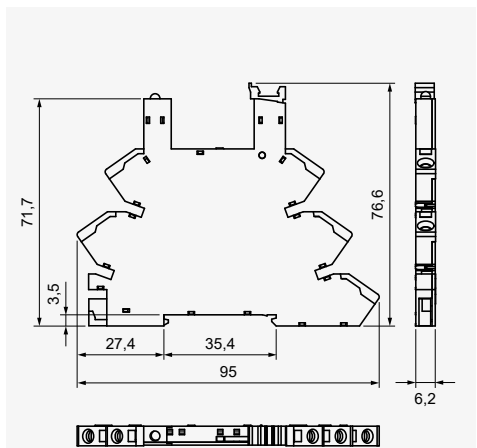
MP6-C

JB20



6W-SEP

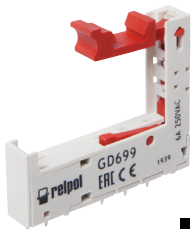
Dimensions



GD699

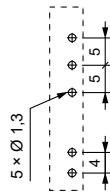
For RM699BV, RSR30

For PCB
 33 x 6 x 37,21 mm
 One pole, 5 mm pinout
 6 A, 250 V AC



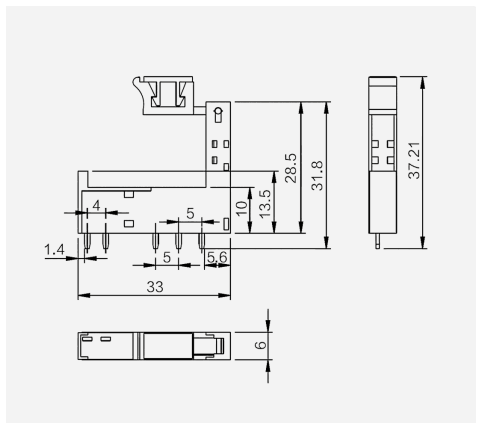
Accessories

Pinout



MP6-C

Dimensions



² Sockets with electronic PI6W., 6W.: version codes and selection of relays for sockets can be found in the data sheets of interface relays PIR6W., SIR6W. - see www.repol.com.pl ³ Colours of strips: ZG20-1, JB20-1 red; ZG20-2, JB20-2 black; ZG20-3, JB20-3 blue.

X-ON Electronics

Largest Supplier of Electrical and Electronic Components

Click to view similar products for [Solid State Relays - Industrial Mount](#) category:

Click to view products by [Relpol](#) manufacturer:

Other Similar products are found below :

[D2440-C](#) [H10CA4890](#) [D4875C](#) [1395831-1](#) [1616010-6](#) [BR312BY](#) [A-1326](#) [H10CA4850](#) [H12CA4890VL](#) [RA2410-D06](#) [RA2410HA06T](#)
[W230E-1-12](#) [W230T-3-12](#) [1-1617030-3](#) [MS2-D2420](#) [MS2-D2430](#) [A-1440](#) [RN1F48I50](#) [G3SD-Z01P-PE DC24](#) [RN1F12V50](#) [RJ1P60V30E](#)
[SMT8628521](#) [ESUC0480](#) [SAL962360](#) [G3PH-5150B DC5-24](#) [SSP1D425BDT](#) [1127700000](#) [G3PH-5150BAC100-240](#) [1548740-1](#)
[GN325DSZH](#) [GN350ASZH](#) [GN325ASZH](#) [GN350DSZH](#) [RKD2A60D50P](#) [RK2A60D50P](#) [RK2A60D75P](#) [PVG612](#) [CPC1008N](#)
[RGC1A23D15KKE](#) [RGC1A60D25KKE](#) [RGC1A60D30KGU](#) [RGC1A60D30KKE](#) [RGC1A60D40KGE](#) [RGC2A60D25KKE](#)
[RGC2P60V25C1DM](#) [RM1A23D50](#) [RM1A48D50](#) [RM1A48D75](#) [RM1A60A25](#) [RM1A60A50](#)