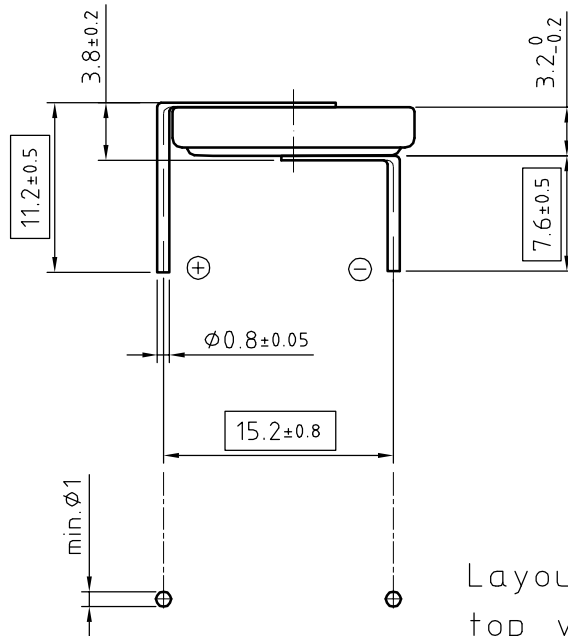
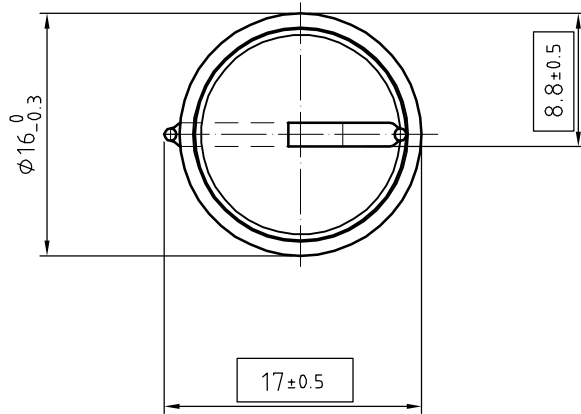


Art.-Number: 700534



Layout  
top view

- Samples can deviate in the execution from the serie.

Tab material: CuNi44  
All dimensions in mm.

All framed values will be used for dimension checking !

The Products of Renata SA are neither designed nor authorized for use in certain areas of application of environment.  
For further details we refer to our webpage [www.renata.com/downloads/restriction\\_of\\_use](http://www.renata.com/downloads/restriction_of_use)

- Dimensions and tolerances can be specified only after the testing of the devices for the mass production definitely

Rev.	①	05.12.05	SRI	Rev.	④	26.08.19	PWU		Customer's Approval		
Rev.	②	19.03.08	SRI	Rev.	○				Date		
Rev.	③	01.11.14	PWU	Rev.	○				Signature		
Title:								Scale	Drawn	29.10.97	SRI
CR1632AH1								2:1	Checked		
									Approved		

**renata**   
batteries

CH-4452 Itingen  
Switzerland

3.8355.4-4

## **X-ON Electronics**

Largest Supplier of Electrical and Electronic Components

*Click to view similar products for [Coin Cell Battery](#) category:*

Other Similar products are found below :

[449915B](#) [RJD3048HPPV30M](#) [NI-MH-B80H-3A3H](#) [095668F](#) [458980A](#)