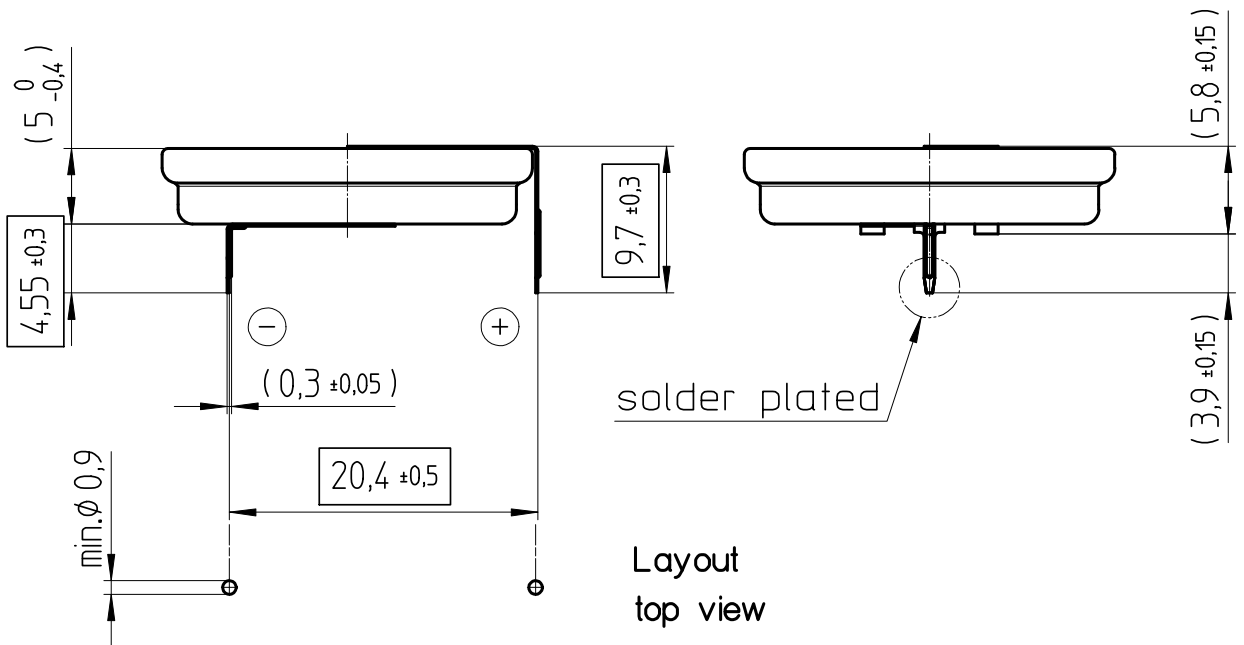
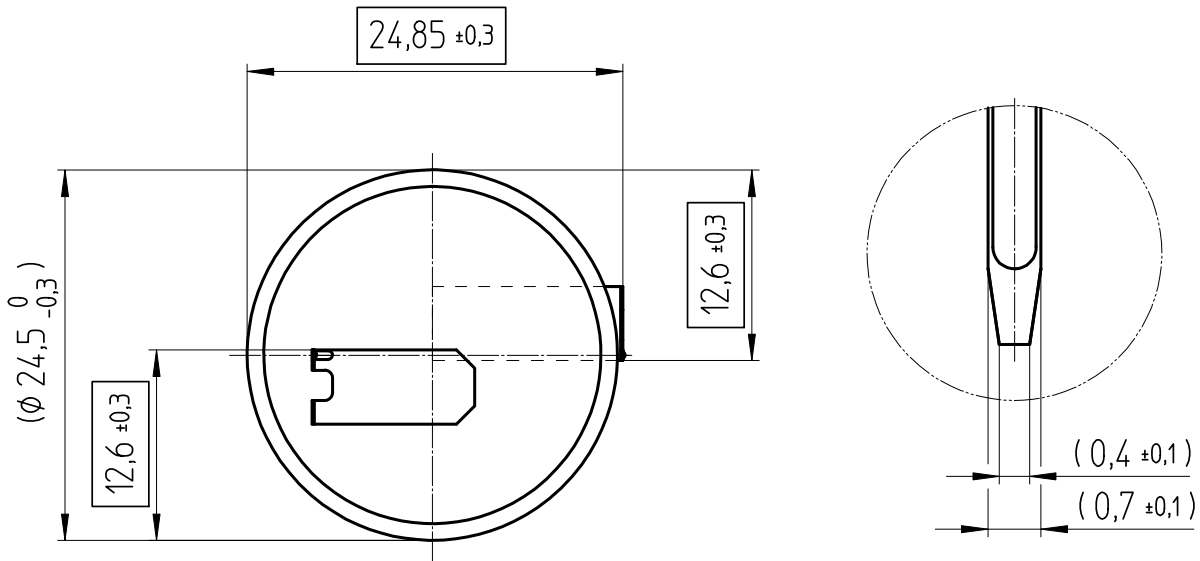


Art.-Number: 701095



Layout
top view

Tab material: Stainless steel

All framed values will be used for dimension checking !

The Products of Renata SA are neither designed nor authorized for use in certain areas of application of environment.
For further details we refer to our webpage: www.renata.com/downloads/restriction_of_use

- Samples can deviate in the execution from the serie.

- Dimensions and tolerances can be specified only after the testing of the devices for the mass production definitely

Rev.	①	12.09.2019	SRi	Rev.	⊙	.	.		Customer's Approval			
Rev.	⊙	.	.	Rev.	⊙	.	.		Date			
Rev.	⊙	.	.	Rev.	⊙	.	.		Signature			
Titel:								Scale 2:1	Drawn	05.01.05	SRi	
CR2450NFH-LF									Checked	13.09.19	HSn	
									Approved	16.09.19	MDi	
				CH-4452 Itingen Switzerland				3.8733.4-1				

X-ON Electronics

Largest Supplier of Electrical and Electronic Components

Click to view similar products for [Coin Cell Battery](#) category:

Other Similar products are found below :

[449915B](#) [RJD3048HPPV30M](#) [NI-MH-B80H-3A3H](#) [095668F](#) [458980A](#)