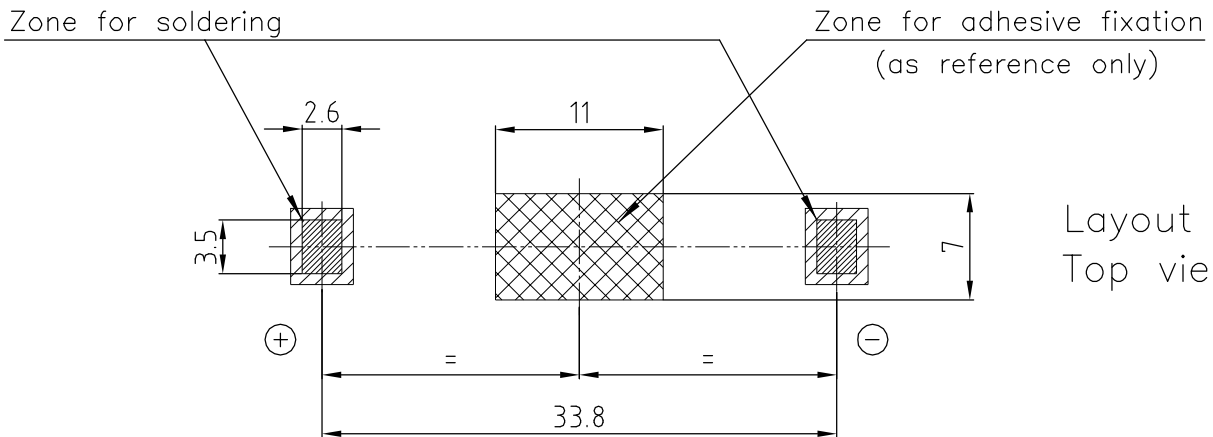
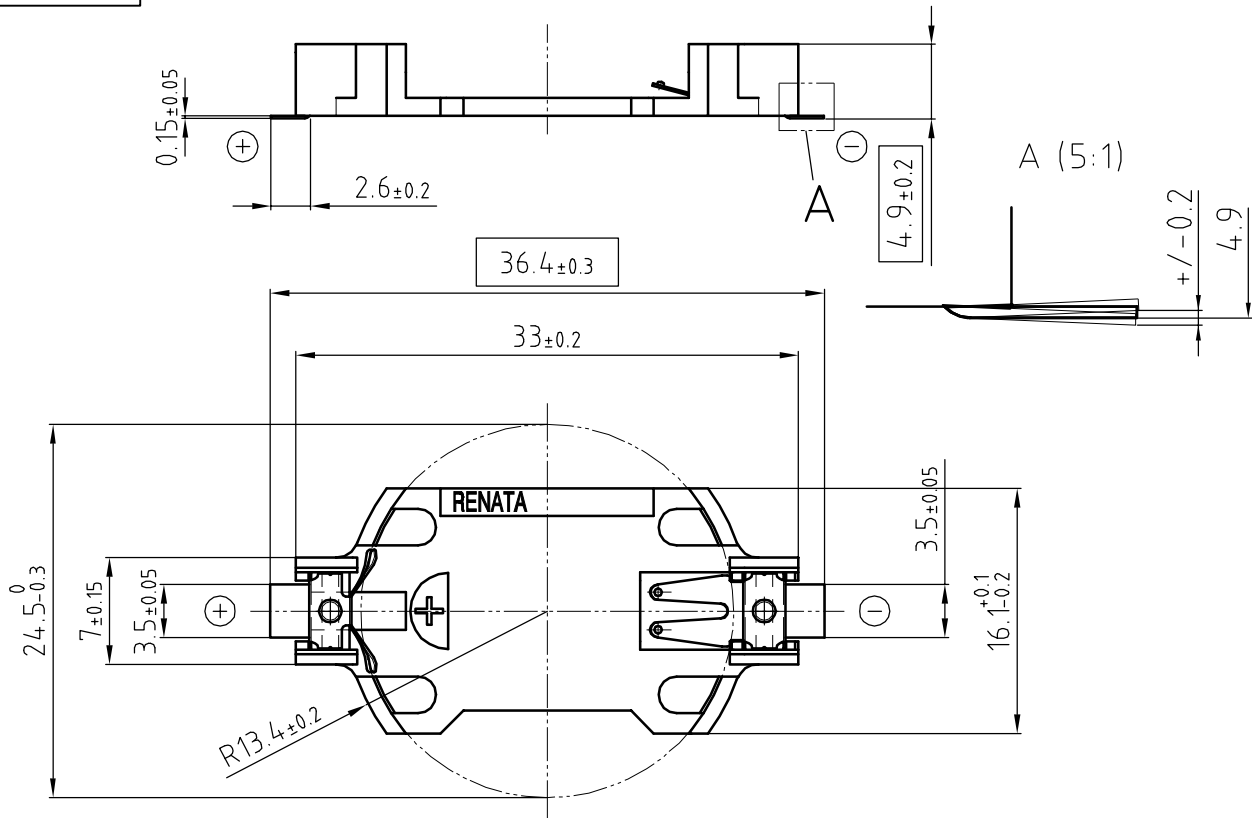


Art.-Number: 701117



All dimensions in mm
 Holder material : heat resistant, glass-fiber reinforced LCP
 Battery contacts : spring stainless steel 301 nickel plated throughout
 Solder contacts : spring stainless steel 301 solder area tin-plated throughout, min. thickness 5um

All framed values will be used for dimension checking !

The Products of Renata SA are neither designed nor authorized for use in certain areas of application of environment.
 For further details we refer to our webpage www.renata.com/downloads/restriction_of_use

Rev.	①	07.09.07	MCi	Rev.	④	29.08.19	PWu		Customer's Approval		
Rev.	②	24.10.07	SRi	Rev.	○				Date		
Rev.	③	15.09.10	Wu Ping	Rev.	○				Signature		
Title:								Scale 2:1	Drawn	25.01.05	SRi
SMTU2430-LF									Checked		
									Approved		
				CH-4452 Itingen Switzerland				3.8761.4-4			

Samples can deviate in the execution from the serie.

Dimensions and tolerances can be specified only after the testing of the devices for the mass production definitely

X-ON Electronics

Largest Supplier of Electrical and Electronic Components

Click to view similar products for [Coin Cell Battery Holders](#) category:

Click to view products by [Renata](#) manufacturer:

Other Similar products are found below :

[PDSN-11-D](#) [1058](#) [1052](#) [799-2007](#) [BH44AAB](#) [BH48DL](#) [BH8000](#) [BS-6-1](#) [79573231](#) [101](#) [3035](#) [1025](#) [1026](#) [1027](#) [103](#) [1059](#) [1060](#) [1063](#)
[1065](#) [D3](#) [46400000](#) [BC-0403](#) [BH-121-1B](#) [BH-1/2AA-2A](#) [BH-131A](#) [BH-3101A](#) [BH-3103B](#) [BH-311-1A](#) [BH-311-1D](#) [BH-321-1A](#) [BH-321-1B](#) [BH-321-1D](#) [BH-331-3D](#) [BH-333A](#) [BH-341-1P](#) [BH-351A](#) [BH-362B](#) [BH-383A](#) [BH-421A](#) [BH-422A](#) [BH-425A](#) [BH-431-1B](#) [BH-463A](#)
[BH-511A](#) [BHC-18650-1P](#) [46300000](#) [46600000](#) [799-2001](#) [SBH-331A](#) [SBH-341-1A](#)