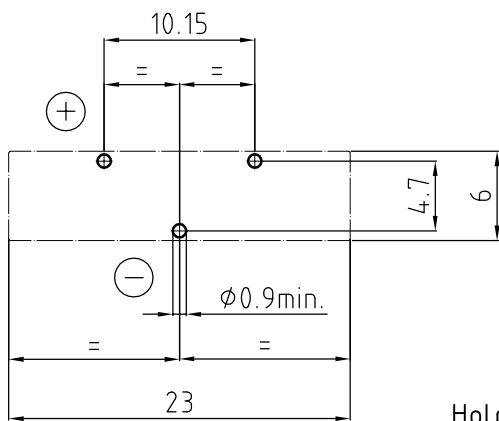


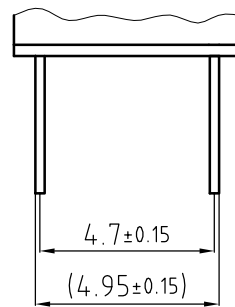
Front view from (-) pole side

Side view

Front view from (+) pole side



Layout top view



Detail M5:1

Holder material :
flame retardant Polyamide, UL flammability class 94V-0

Battery and Solder contacts:
spring stainless steel, throughout nickel plated,
thickness min. 5µm

Specifications are subject to change without notice for further improvement

All framed values will be used for dimension checking !

- Samples can deviate in the execution from the serie.

- Dimensions and tolerances can be specified only after the testing of the devices for the mass production definitely

Rev. ②	28.10.99	SRI	Rev. ⑤	29.06.06	SRI		Customer's Approval			
Rev. ③	22.03.06	SRI	Rev. ⑥	11.06.08	SRI		Date			
Rev. ④	31.05.06	SRI	Rev. ⑦	25.03.11	Wu Ping		Signature			
Titel:						Scale	Drawn	17.08.99	SRI	
VBH2032-1							2:1	Checked	07.04.11	MDi
								Approved	07.04.11	MDi

X-ON Electronics

Largest Supplier of Electrical and Electronic Components

Click to view similar products for [Coin Cell Battery Holders](#) category:

Click to view products by [Renata](#) manufacturer:

Other Similar products are found below :

[PDSN-11-D](#) [1058](#) [1052](#) [799-2007](#) [BH44AAB](#) [BH48DL](#) [BH8000](#) [BS-6-1](#) [79573231](#) [101](#) [3035](#) [1025](#) [1026](#) [1027](#) [103](#) [1059](#) [1060](#) [1063](#)
[1065](#) [D3](#) [46400000](#) [BC-0403](#) [BH-121-1B](#) [BH-1/2AA-2A](#) [BH-131A](#) [BH-3101A](#) [BH-3103B](#) [BH-311-1A](#) [BH-311-1D](#) [BH-321-1A](#) [BH-321-1B](#) [BH-321-1D](#) [BH-331-3D](#) [BH-333A](#) [BH-341-1P](#) [BH-351A](#) [BH-362B](#) [BH-383A](#) [BH-421A](#) [BH-422A](#) [BH-425A](#) [BH-431-1B](#) [BH-463A](#)
[BH-511A](#) [BHC-18650-1P](#) [46300000](#) [46600000](#) [799-2001](#) [SBH-331A](#) [SBH-341-1A](#)