

## Description

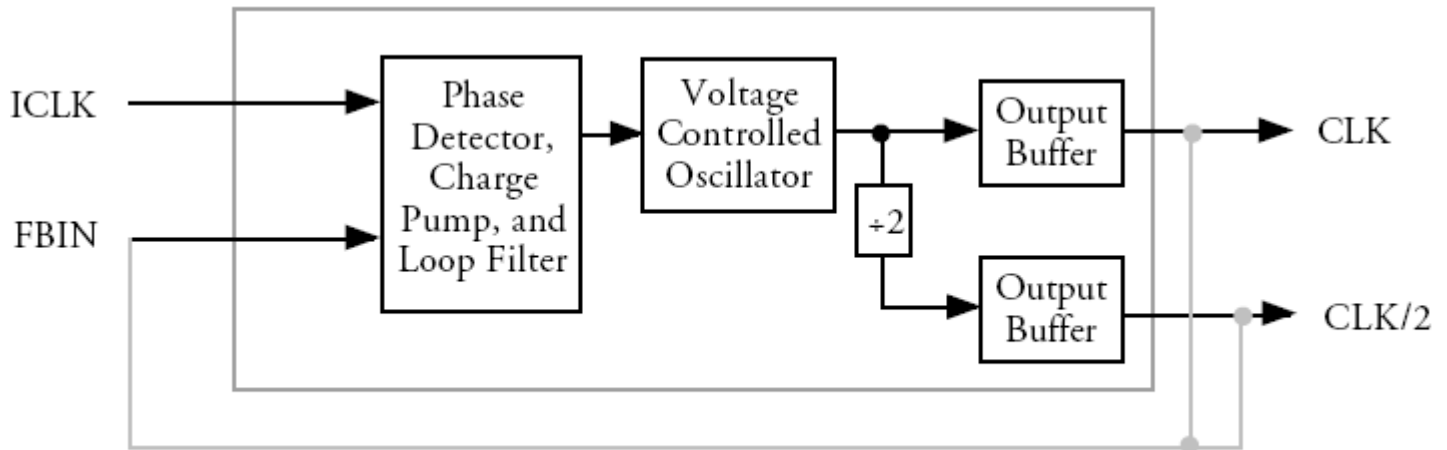
The ICS571 is a high speed, high output drive, low phase noise Zero Delay Buffer (ZDB) which integrates IDT's proprietary analog/digital Phase Locked Loop (PLL) techniques. IDT introduced the world standard for these devices in 1992 with the debut of the AV9170, and updated that with the ICS570. The ICS571, part of IDT's ClockBlocks™ family, was designed to operate at higher frequencies, with faster rise and fall times, and with lower phase noise. The zero delay feature means that the rising edge of the input clock aligns with the rising edges of both outputs, giving the appearance of no delay through the device. There are two outputs on the chip, one being a low-skew divide by two of the other.

The chip is ideal for synchronizing outputs in a large variety of systems, from personal computers to data communications to video. By allowing offchip feedback paths, the ICS571 can eliminate the delay through other devices. The use of dividers in the feedback path will enable the part to multiply by more than two.

## Features

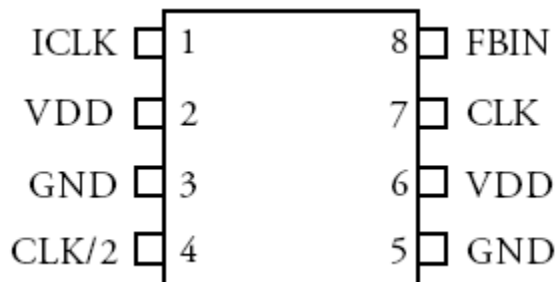
- Packaged in 8-pin SOIC (Pb free)
- Can function as low phase noise x2 multiplier
- Low skew outputs. One is  $\pm 2$  of other
- Input clock frequency up to 160 MHz at 3.3 V
- Phase noise of better than -100 dBc/Hz from 1 kHz to 1 MHz offset from carrier
- Can recover poor input clock duty cycle
- Output clock duty cycle of 45/55 at 3.3 V
- High drive strength for >100 MHz outputs
- Full CMOS clock swings with 25 mA drive capability at TTL levels
- Advanced, low power CMOS process
- Operating voltages of 3.0 to 5.5 V

## Block Diagram



External feedback can come from CLK or CLK/2 (see table on page 2).

## Pin Assignment



## Feedback Configuration Table and Frequency Ranges (at 3.3 V)

Feedback From	CLK	CLK/2	Input Range
CLK	Input clock frequency	Input clock frequency/2	20 to 160 MHz
CLK/2	2x Input clock frequency	Input clock frequency	10 to 80 MHz

## Pin Descriptions

Pin Number	Pin Name	Pin Type	Pin Description
1	ICLK	CI	Reference clock input.
2	VDD	P	Connect to +3.3 V or +5 V. Must be same as other VDD.
3	GND	P	Connect to ground.
4	CLK/2	O	Clock output per table above. Low skew divide by two of pin 7 clock.
5	GND	P	Connect to ground.
6	VDD	P	Connect to +3.3 V or +5 V. Must be same as other VDD.
7	CLK	O	Clock output per table above.
8	FBIN	CI	Feedback clock input. Connect to CLK or CLK/2 per table above.

Key: CI = clock input; I = input; O = output; P = power supply connection.

## External Components

The ICS571 requires a minimum number of external components for proper operation.

A decoupling capacitor of 0.01  $\mu$ F must be connected between VDD and GND on each side of the chip (between

pins 2 and 3, and between pins 6 and 5). They must be connected close to the ICS571 to minimize lead inductance. No external power supply filtering is required for this device. A 33  $\Omega$  terminating resistor can be used next to each output pin.

## Absolute Maximum Ratings

Stresses above the ratings listed below can cause permanent damage to the ICS571. These ratings, which are standard values for IDT commercially rated parts, are stress ratings only. Functional operation of the device at these or any other conditions above those indicated in the operational sections of the specifications is not implied. Exposure to absolute maximum rating conditions for extended periods can affect product reliability. Electrical parameters are guaranteed only over the recommended operating temperature range.

Item	Rating
Supply Voltage, VDD, referenced to GND	7 V
Inputs, referenced to GND	-0.5 V to VDD+0.5 V
Clock Output, referenced to GND	-0.5 V to VDD+0.5 V
Storage Temperature	-65 to +150° C
Soldering Temperature, max of 10 seconds	260° C
Ambient Operating Temperature	0 to +70° C

## DC Electrical Characteristics

Unless stated otherwise, **VDD = 5.0 V or 3.3 V**, Ambient Temperature 0 to +70° C

Parameter	Symbol	Conditions	Min.	Typ.	Max.	Units
Operating Supply Voltage	VDD		3		5.5	V
Input High Voltage	V <sub>IH</sub>	ICLK, FBIN (pins 1 and 8)	VDD/2+1	VDD/2		V
Input Low Voltage	V <sub>IL</sub>	ICLK, FBIN (pins 1 and 8)		VDD/2	VDD/2-1	V
Output High Voltage, CMOS level	V <sub>OH</sub>	I <sub>OH</sub> = -4 mA	VDD-0.4			V
Output High Voltage	V <sub>OH</sub>	I <sub>OH</sub> = -25 mA	2.4			V
Output Low Voltage	V <sub>OL</sub>	I <sub>OL</sub> = 25 mA			0.4	V
IDD Operating Supply Current, 133 in, 133 out		No load, 3.3 V		34		mA
IDD Operating Supply Current, 50 in, 100 out		No load, 3.3 V		26		mA
Short Circuit Current	I <sub>OS</sub>	Each output		±100		mA
Input Capacitance	C <sub>IN</sub>	ICLK, FBIN		5		pF

## AC Electrical Characteristics

Unless stated otherwise, VDD = 5.0 V or 3.3 V, Ambient Temperature 0 to +70° C

Parameter	Symbol	Conditions	Min.	Typ.	Max.	Units
Input Frequency, clock input	$f_{IN}$	FB from CLK	20		160	MHz
Input Frequency, clock input	$f_{IN}$	FB from CLK/2	10		80	MHz
Skew CLK/2 with respect to CLK		Note 2	150	500	850	ps
Input clock to output connected to FBIN		Note 2	-500		500	ps
Output Clock Rise Time, 5 V		0.8 to 2.0 V, 15 pF load		0.3		ns
Output Clock Fall Time, 5 V		2.0 to 0.8 V, 15 pF load		0.4		ns
Output Clock Rise Time, 3.3 V		0.8 to 2.0 V, 15 pF load		0.45		ns
Output Clock Fall Time, 3.3 V		2.0 to 0.8 V, 15 pF load		0.55		ns
Input Clock Duty Cycle, 3.3 V		$f_{in} = 150$ MHz	20		80	%
Output Clock Duty Cycle, 3.3 V		At VDD/2	45	49 to 51	55	%
Absolute Clock Period Jitter, CLK, Note 3		Deviation from Mean		±80		ps
One-Sigma Clock Period Jitter, CLK, Note 3				50		ps
Phase Noise, Relative to carrier		1 kHz offset		-105		dBc/Hz
Phase Noise, Relative to carrier		100 kHz offset		-115		dBc/Hz

Notes:

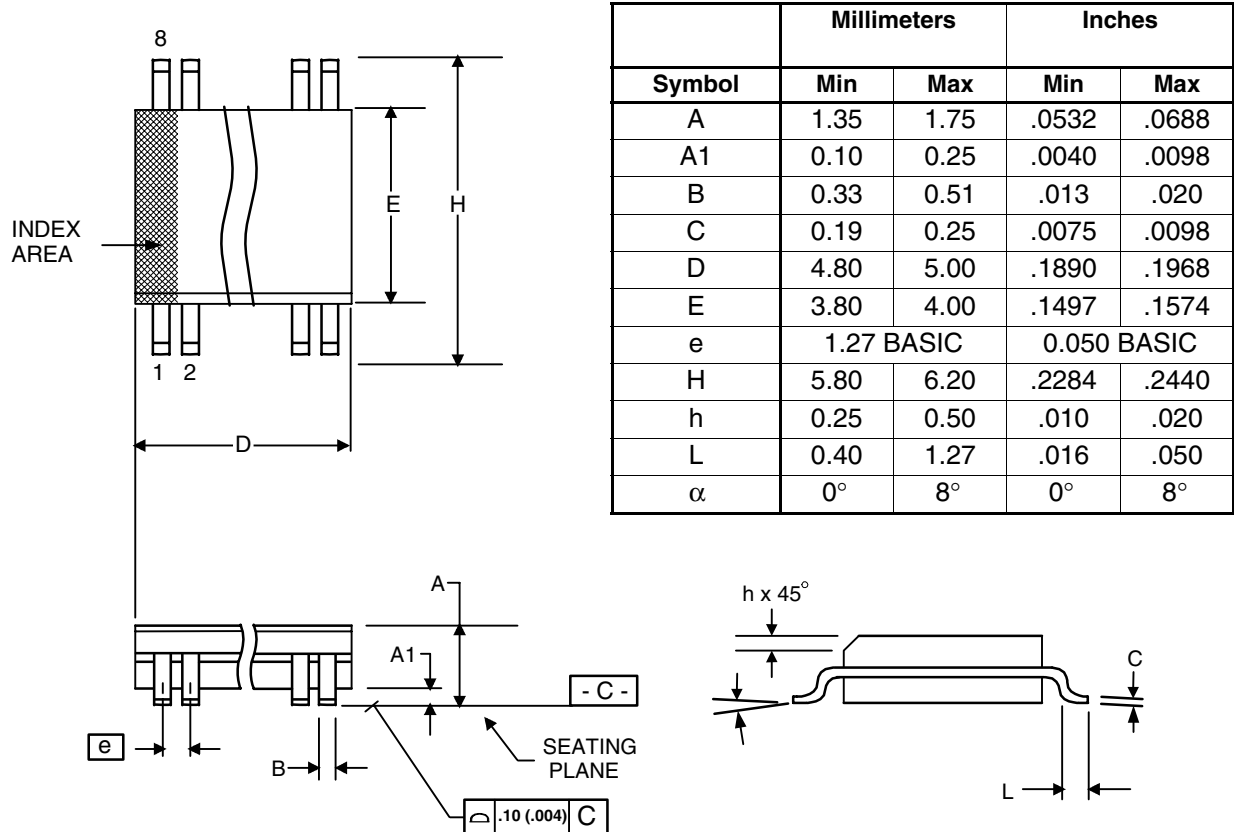
1. Stresses beyond these can permanently damage the device.
2. Assumes clocks with the same rise time, measured from rising edges at VDD/2. Measured with 33Ω termination resistors and 15 pF loads. Applies to both 3.3 V and 5 V operation.
3. CLK/2 has lower jitter (both absolute and one sigma, in ps) than CLK.

## Thermal Characteristics

Parameter	Symbol	Conditions	Min.	Typ.	Max.	Units
Thermal Resistance Junction to Ambient	$\theta_{JA}$	Still air				°C/W
	$\theta_{JA}$	1 m/s air flow				°C/W
	$\theta_{JA}$	3 m/s air flow				°C/W
Thermal Resistance Junction to Case	$\theta_{JC}$					°C/W

## Package Outline and Package Dimensions (8-pin SOIC, 150 Mil. Body)

Package dimensions are kept current with JEDEC Publication No. 95



## Ordering Information

Part / Order Number	Marking	Shipping Packaging	Package	Temperature
571MLF	571MLF	Tubes	8-pin SOIC	0 to +70° C
571MLFT		Tape and Reel	8-pin SOIC	0 to +70° C

"LF" suffix to the part number are the Pb-Free configuration and are RoHS compliant.

While the information presented herein has been checked for both accuracy and reliability, Integrated Device Technology (IDT) assumes no responsibility for either its use or for the infringement of any patents or other rights of third parties, which would result from its use. No other circuits, patents, or licenses are implied. This product is intended for use in normal commercial applications. Any other applications such as those requiring extended temperature range, high reliability, or other extraordinary environmental requirements are not recommended without additional processing by IDT. IDT reserves the right to change any circuitry or specifications without notice. IDT does not authorize or warrant any IDT product for use in life support devices or critical medical instruments.



## IMPORTANT NOTICE AND DISCLAIMER

RENESAS ELECTRONICS CORPORATION AND ITS SUBSIDIARIES (“RENESAS”) PROVIDES TECHNICAL SPECIFICATIONS AND RELIABILITY DATA (INCLUDING DATASHEETS), DESIGN RESOURCES (INCLUDING REFERENCE DESIGNS), APPLICATION OR OTHER DESIGN ADVICE, WEB TOOLS, SAFETY INFORMATION, AND OTHER RESOURCES “AS IS” AND WITH ALL FAULTS, AND DISCLAIMS ALL WARRANTIES, EXPRESS OR IMPLIED, INCLUDING, WITHOUT LIMITATION, ANY IMPLIED WARRANTIES OF MERCHANTABILITY, FITNESS FOR A PARTICULAR PURPOSE, OR NON-INFRINGEMENT OF THIRD PARTY INTELLECTUAL PROPERTY RIGHTS.

These resources are intended for developers skilled in the art designing with Renesas products. You are solely responsible for (1) selecting the appropriate products for your application, (2) designing, validating, and testing your application, and (3) ensuring your application meets applicable standards, and any other safety, security, or other requirements. These resources are subject to change without notice. Renesas grants you permission to use these resources only for development of an application that uses Renesas products. Other reproduction or use of these resources is strictly prohibited. No license is granted to any other Renesas intellectual property or to any third party intellectual property. Renesas disclaims responsibility for, and you will fully indemnify Renesas and its representatives against, any claims, damages, costs, losses, or liabilities arising out of your use of these resources. Renesas' products are provided only subject to Renesas' Terms and Conditions of Sale or other applicable terms agreed to in writing. No use of any Renesas resources expands or otherwise alters any applicable warranties or warranty disclaimers for these products.

(Rev.1.0 Mar 2020)

### Corporate Headquarters

TOYOSU FORESIA, 3-2-24 Toyosu,  
Koto-ku, Tokyo 135-0061, Japan  
[www.renesas.com](http://www.renesas.com)

### Contact Information

For further information on a product, technology, the most up-to-date version of a document, or your nearest sales office, please visit:  
[www.renesas.com/contact/](http://www.renesas.com/contact/)

### Trademarks

Renesas and the Renesas logo are trademarks of Renesas Electronics Corporation. All trademarks and registered trademarks are the property of their respective owners.



## X-ON Electronics

Largest Supplier of Electrical and Electronic Components

*Click to view similar products for [Clock Buffer](#) category:*

*Click to view products by [Renesas](#) manufacturer:*

Other Similar products are found below :

[MPC962309EJ-1H](#) [NB4N121KMNG](#) [IDT49FCT805ASO](#) [MK2308S-1HILF](#) [PL133-27GI-R](#) [NB3L02FCT2G](#) [NB3L03FCT2G](#)  
[ZL40203LDG1](#) [ZL40200LDG1](#) [ZL40205LDG1](#) [9FG1200DF-1LF](#) [9FG1001BGLF](#) [ZL40202LDG1](#) [PI49FCT20802QE](#) [SL2305SC-1T](#)  
[PI6C4931502-04LIE](#) [NB7L1008MNG](#) [NB7L14MN1G](#) [PI49FCT20807QE](#) [PI6C4931502-04LIEX](#) [ZL80002QAB1](#) [PI6C4931504-04LIEX](#)  
[PI6C10806BLEX](#) [ZL40226LDG1](#) [ZL40219LDG1](#) [8T73S208B-01NLGI](#) [SY75578LMG](#) [PI49FCT32805QEX](#) [PL133-27GC-R](#)  
[CDCV304PWG4](#) [MC10LVEP11DG](#) [MC10EP11DTG](#) [MC100LVEP11DG](#) [MC100E111FNG](#) [MC100EP11DTG](#) [NB6N11SMNG](#)  
[NB7L14MMNG](#) [NB3N2304NZDTR2G](#) [NB6L11MMNG](#) [NB6L14MMNR2G](#) [NB6L611MNG](#) [PL123-02NGI-R](#) [NB3N111KMNR4G](#)  
[ADCLK944BCPZ-R7](#) [ZL40217LDG1](#) [NB7LQ572MNG](#) [HMC940LC4BTR](#) [ADCLK946BCPZ-REEL7](#) [ADCLK946BCPZ](#)  
[ADCLK846BCPZ-REEL7](#)