

Fox Part Number: 603-40-48

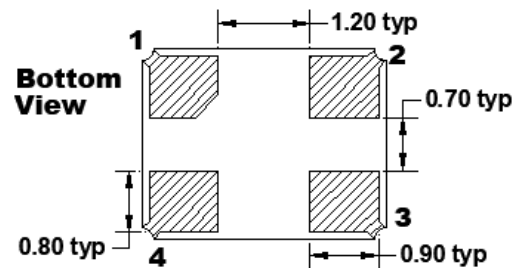
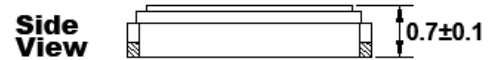
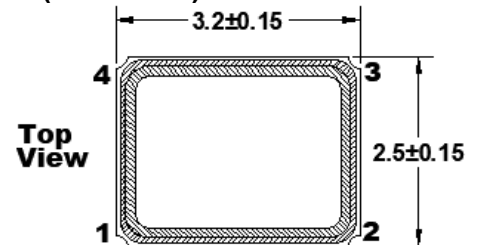
LEAD-FREE, CERAMIC, SMD, CRYSTAL
MODEL: C3BS (Formerly FX325BS Series)

RoHS / REACH Compliant / Pb-Free

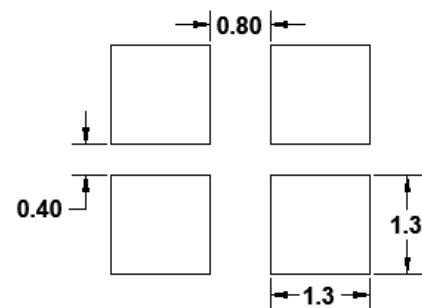
A. Specifications

Parameters	
Frequency	40.000 MHz
Resonance Mode	Fundamental
Frequency Tolerance @ 25°C	±20 PPM Max
Frequency Stability, ref @ 25°C Over Operating Temp. Range	±20 PPM Max
Temperature Range	
Operating (T _{OPR})	-40°C ~ +85°C
Storage (T _{STG})	-55°C ~ +125°C
Equivalent Series Resistance (ESR)	30 Ohms Max
Shunt Capacitance (C ₀)	3 pF Max
Load Capacitance (C _L)	12 pF
Drive Level	0.3 mW Max
Aging Per 10 Years	±11 PPM Max
Maximum Soldering Temp / Time	260°C / 10 Seconds x2
Moisture Sensitivity Level (MSL) Per J-STD-033	N/A
Termination Finish:	Au (0.3~1µm) over Ni (1.27~8.89µm)
Lead (Pb) Free	Yes
RoHS Compliant	Yes, no exemptions
REACH Compliance	Yes

B. Mechanical / Dimensions (millimeters):



Recommended Solder Pad Layout



Dimensions in mm

Pin Connections

#1 - Crystal #2 - Lid/Gnd
 #3 - Crystal #4 - Lid/Gnd

Tape & Reel details on page 2

NOTE: The above specifications, having been carefully prepared and checked, is believed to be accurate at the time of publication; however, no responsibility is assumed by Fox Electronics for inaccuracies.

Reference / Comments	Title / Description: Product Specifications		
Initial release	Drawing Number: DWG-102121		Revision: A
	Part Number: 603-40-48		Cage: 61429
	Draftsperson: DG	Approved: MJ	Date: 8/25/2020

Fox Part Number: 603-40-48

LEAD-FREE, CERAMIC, SMD, CRYSTAL

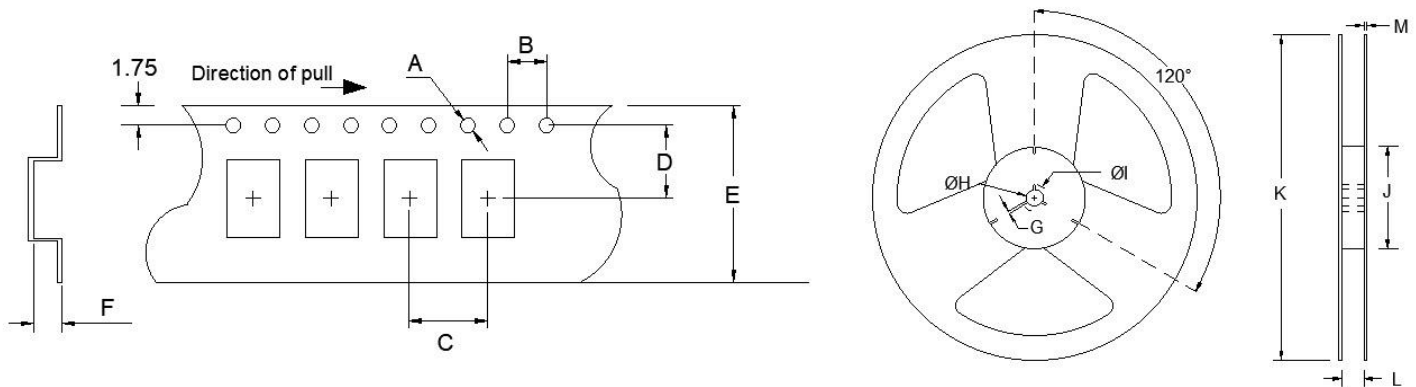
MODEL: C3BS (Formerly FX325BS Series)

RoHS / REACH Compliant / Pb-Free

Tape & Reel Specification

Tape Specifications (millimeters)

A	B	C	D	E	F	Reel Options
Ø1.5	4.0	4.0	3.5	8.0	1.3	-T1 = 1,000 -T2 = 2,000 -T3 = 3,000 <i>Default</i>



Reel Specifications (millimeters)

G	H	I	J	K	L	M
2.0	Ø13	Ø21	Ø80	Ø180	9.0	2.0

NOTE: The above specifications, having been carefully prepared and checked, is believed to be accurate at the time of publication; however, no responsibility is assumed by Fox Electronics for inaccuracies.

Reference / Comments	Title / Description: Product Specifications		
Initial release	Drawing Number: DWG-102121		Revision: A
	Part Number: 603-40-48		Cage: 61429
	Draftsperson: DG	Approved: MJ	Date: 8/25/2020

X-ON Electronics

Largest Supplier of Electrical and Electronic Components

Click to view similar products for [Crystals](#) category:

Click to view products by [Renesas](#) manufacturer:

Other Similar products are found below :

[MC405 32.0000K-R3:PURE SN](#) [7B-27.000MBBK-T](#) [MP1-8.0 99-BU](#) [9B-15.360MBBK-B](#) [PTX-A2JM-10.000M](#) [9C-7.680MBBK-T](#) [H10S-12.000-18-EXT-TR](#) [R38-32.768-12.5-5PPM-NPB](#) [BTD1062E05A-513](#) [21U15A-21.4MHZ](#) [RTX-781DF1-S-20.950](#) [LFXTAL066198Cutt](#) [9C-14.31818MBBK-T](#) [A-11.000MHZ-27](#) [SPT2A-.032768B](#) [SPT2A.032768G](#) [SSPT7F-9PF20-R](#) [FX325BS-38.88EEM1201](#) [MP-1-25.000MHZ-3L](#) [MP-1-6.000MHZ](#) [LFXTAL065253Cutt](#) [LFXTAL066431Cutt](#) [XT9S20ANA14M7456](#) [XT9SNLANA16M](#) [646G-24-2](#) [7B-30.000MBBK-T](#) [6504-202-1501](#) [6526-202-1501](#) [BTJ120E02C](#) [SG636PCE-20.000MC](#) [3404](#) [CM315D32768EZFT](#) [C1E-24.000-7-2020-R](#) [C1E-19.200-12-1530-X-R](#) [C1E-16.000-12-1530-X-R](#) [ABM11-16.000MHZ-9-B1U-T](#) [FL5000014](#) [EUCA18-3.1872M](#) [425F35E027M0000](#) [17196](#) [MS3V-T1R-32.768kHz-7pF-20PPM-TA-QC-Au](#) [VXM7-1C1-16M000](#) [MS1V-T1K-32.768kHz-10pF-20PPM-TA-QC-Au](#) [MS1V-T1K-32.768kHz-12.5pF-20PPM-TA-QC-Au](#) [MS3V-T1R-32.768kHz-9pF-20PPM-TA-QC-Au](#) [17000](#) [17301](#) [16875](#) [ECS-80-18-30B-JEM-TR](#)