

PRODUCT DISCONTINUATION NOTICE - LAST TIME BUY EXPIRES SEPTEMBER 7, 2016

FEATURES:

- 0.5 MICRON CMOS Technology
- Input frequency range: 10MHz – f2Q Max. spec (FREQ_SEL = HIGH)
- Max. output frequency: 150MHz
- Pin and function compatible with FCT88915T, MC88915T
- 5 non-inverting outputs, one inverting output, one 2x output, one ÷2 output; all outputs are TTL-compatible
- 3-State outputs
- Duty cycle distortion < 500ps (max.)
- 32/-16mA drive at CMOS output voltage levels
- VCC = 3.3V ± 0.3V
- Inputs can be driven by 3.3V or 5V components
- Available in 28 pin PLCC and SSOP packages
- **NOT RECOMMENDED FOR NEW DESIGNS**
- *For functional replacement use 8T49N286A*

DESCRIPTION:

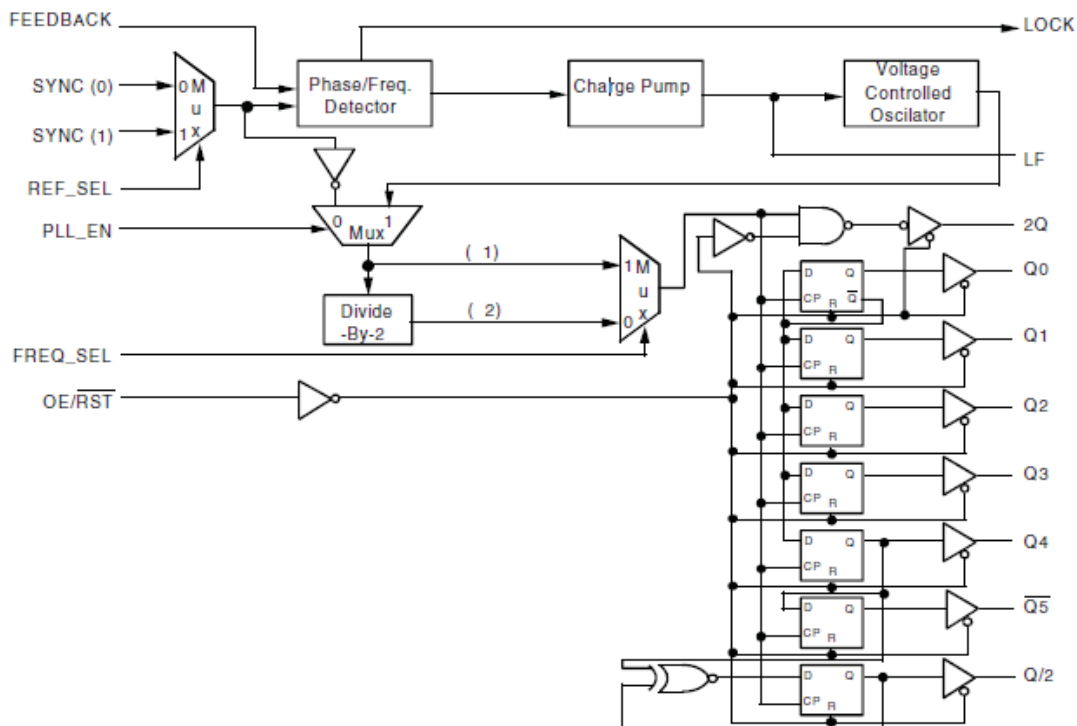
The FCT388915T uses phase-lock loop technology to lock the frequency and phase of outputs to the input reference clock. It provides low skew clock distribution for high performance PCs and workstations. One of the outputs is fed back to the PLL at the FEEDBACK input resulting in essentially zero delay across the device. The PLL consists of the phase/frequency detector, charge pump, loop filter and VCO. The VCO is designed for a 2Q operating frequency range of 40MHz to f2Q Max.

The FCT388915T provides 8 outputs, the Q5 output is inverted from the Q outputs. The 2Q runs at twice the Q frequency and Q/2 runs at half the Q frequency.

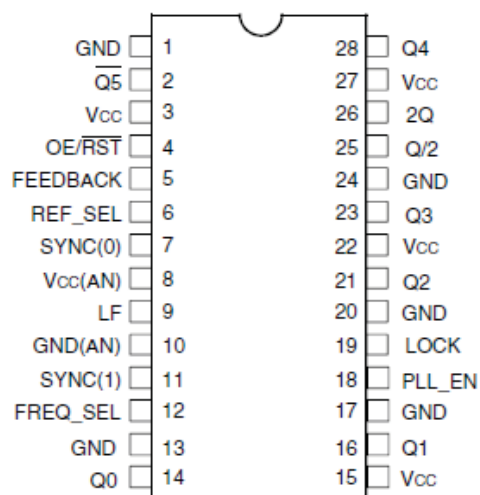
The FREQ_SEL control provides an additional ÷ 2 option in the output path. PLL_EN allows bypassing of the PLL, which is useful in static test modes. When PLL_EN is low, SYNC input may be used as a test clock. In this test mode, the input frequency is not limited to the specified range and the polarity of outputs is complementary to that in normal operation (PLL_EN = 1). The LOCK output attains logic HIGH when the PLL is in steady-state phase and frequency lock. When OE/RST is low, all the outputs are put in high impedance state and registers at Q, Q̄ and Q/2 outputs are reset.

The FCT388915T requires one external loop filter component as recommended in Figure 3.

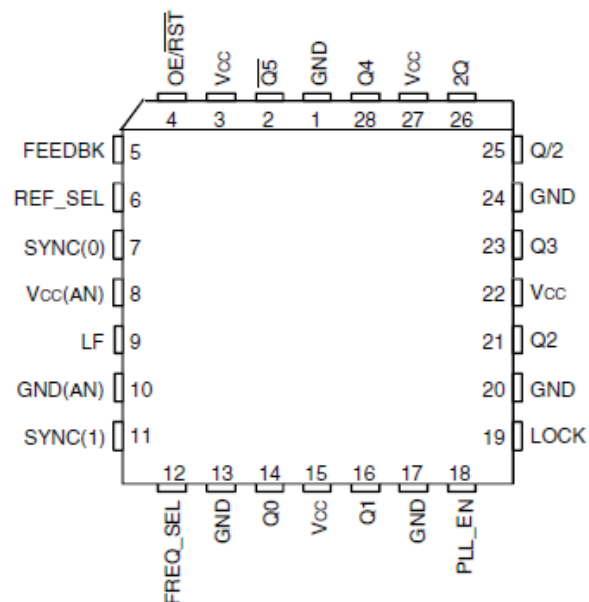
FUNCTIONAL BLOCK DIAGRAM



PIN CONFIGURATION



SSOP
TOP VIEW



PLCC
TOP VIEW

PIN DESCRIPTION

| Pin Name | I/O | Description |
|-----------------|-----|---|
| SYNC(0) | I | Reference clock input |
| SYNC(1) | I | Reference clock input |
| REF_SEL | I | Chooses reference between SYNC (0) & SYNC (1) (refer to functional block diagram) |
| FREQ_SEL | I | Selects between $\div 1$ and $\div 2$ frequency options (refer to functional block diagram) |
| FEEDBACK | I | Feedback input to phase detector |
| LF | I | Input for external loop filter connection |
| Q0-Q4 | O | Clock output |
| $\overline{Q5}$ | O | Inverted clock output |
| 2Q | O | Clock output (2 x Q frequency) |
| Q/2 | O | Clock output (Q frequency $\div 2$) |
| LOCK | O | Indicates phase lock has been achieved (HIGH when locked) |
| OE/RST | I | Asynchronous reset (active LOW) and output enable (active HIGH). When HIGH, outputs are enabled. When LOW, outputs are in HIGH impedance. |
| PLL_EN | I | Disables phase-lock for low frequency testing (refer to functional block diagram) |

ABSOLUTE MAXIMUM RATINGS⁽¹⁾

| Symbol | Description | Max | Unit |
|----------------------|--------------------------------------|------------------------------|------|
| VTERM ⁽²⁾ | Terminal Voltage with Respect to GND | -0.5 to +4.6 | V |
| VTERM ⁽³⁾ | Terminal Voltage with Respect to GND | -0.5 to +7 | V |
| VTERM ⁽⁴⁾ | Terminal Voltage with Respect to GND | -0.5 to V _{CC} +0.5 | V |
| TSTG | Storage Temperature | -65 to +150 | °C |
| I _{OUT} | DC Output Current | -60 to +60 | mA |

CAPACITANCE (T_A = +25°C, F = 1.0MHz)

| Symbol | Parameter | Conditions | Typ. | Max. | Unit |
|------------------|--------------------|-----------------------|------|------|------|
| C _{IN} | Input Capacitance | V _{IN} = 0V | 4.5 | 6 | pF |
| C _{OUT} | Output Capacitance | V _{OUT} = 0V | 5.5 | 8 | pF |

NOTES:

- Stresses greater than those listed under ABSOLUTE MAXIMUM RATINGS may cause permanent damage to the device. This is a stress rating only and functional operation of the device at these or any other conditions above those indicated in the operational sections of this specification is not implied. Exposure to absolute maximum rating conditions for extended periods may affect reliability.
- V_{CC} terminals.
- Input terminals.
- Outputs and I/O terminals.

DC ELECTRICAL CHARACTERISTICS OVER OPERATING RANGE

Following Conditions Apply Unless Otherwise Specified:

Commercial: T_A = 0°C to +70°C, V_{CC} = 3.3V ± 0.3V

| Symbol | Parameter | Test Conditions ⁽¹⁾ | Min. | Typ. ⁽²⁾ | Max. | Unit |
|--|---|---|--------------------|---------------------|------|------|
| V _{IH} | Input HIGH Level | Guaranteed Logic HIGH Level | 2 | — | 5.5 | V |
| V _{IL} | Input LOW Level | Guaranteed Logic LOW Level | — | — | 0.8 | V |
| I _{IH} | Input HIGH Current ⁽⁴⁾ | V _{CC} = Max. V _I = 5.5V | — | — | ±1 | μA |
| I _{IL} | Input LOW Current ⁽⁴⁾ | V _{CC} = Max. V _I = GND | — | — | ±1 | μA |
| I _{OZH} | High Impedance Output Current ⁽⁴⁾ (3-State Output Pins) | V _{CC} = Max. V _I = V _{CC} | — | — | ±1 | μA |
| I _{OZL} | | V _{CC} = Max. V _I = GND | — | — | ±1 | |
| V _{IK} | Clamp Diode Voltage | V _{CC} = Min., I _{IN} = -18mA | — | -0.7 | -1.2 | V |
| I _{ODH} | Output Drive Current | V _{CC} = Min., V _{IN} = V _{IH} or V _{IL} , V _O = 1.5V ⁽³⁾ | -36 | — | — | mA |
| I _{ODL} | Output Drive Current | V _{CC} = Min., V _{IN} = V _{IH} or V _{IL} , V _O = 1.5V ⁽³⁾ | 50 | — | — | mA |
| V _{OH} | Output HIGH Voltage | V _{CC} = Min. I _{OH} = -16mA | 2.4 ⁽⁴⁾ | 3.3 | — | V |
| V _{OL} | Output LOW Voltage | V _{CC} = Min. I _{OL} = 32mA | — | 0.3 | 0.5 | V |
| V _H | Input Hysteresis | — | — | 100 | — | mV |
| I _{CC1} I _{CC2} I _{CC3} | Quiescent Power Supply Current | V _{CC} = Max., V _{IN} = GND or V _{CC} (Test Mode) | — | 2 | 6 | μA |

NOTES:

- For conditions shown as Min. or Max., use appropriate value specified under Electrical Characteristics for the applicable device type.
- Typical values are at V_{CC} = 3.3V, +25°C ambient.
- Not more than one output should be tested at one time. Duration of the test should not exceed one second.
- V_{OH} = V_{CC} - 0.6V at rated current.

POWER SUPPLY CHARACTERISTICS

| Symbol | Parameter | Test Conditions ⁽¹⁾ | | Min. | Typ. ⁽²⁾ | Max. | Unit |
|-----------------|---|---|--|------|---------------------|------|------------|
| ΔI_{CC} | Quiescent Power Supply Current | $V_{CC} = \text{Max.}$ | $V_{IN} = V_{CC} - 0.6V^{(3)}$ | — | 2 | 30 | μA |
| TTL Inputs HIGH | | $V_{IN} = V_{CC} - 2.1V^{(3)}$ | | | | | |
| I_{CCD} | Dynamic Power Supply Current ⁽⁴⁾ | $V_{CC} = \text{Max.}$ All Outputs Open | $V_{IN} = V_{CC}$ $V_{IN} = \text{GND}$ | — | 0.2 | 0.3 | mA/ MHz |
| CPD | Power Dissipation Capacitance | 50% Duty Cycle | | — | 15 | 25 | pF |
| I_C | Total Power Supply Current ⁽⁶⁾ | $V_{CC} = \text{Max.}$ PLL_EN = 1, LOCK = 1, FEEDBACK = Q4 SYNC frequency = 50MHz. All bits loaded with 15pF | | — | 30 | 60 | mA |
| | | $V_{CC} = \text{Max.}$ PLL_EN = 1, LOCK = 1, FEEDBACK = Q4 SYNC frequency = 50MHz. All bits loaded with 50 Ω Thevenin termination and 20pF | | — | 90 | 120 | mA |

NOTES:

- For conditions shown as Max. or Min., use appropriate value specified under Electrical Characteristics for the applicable device type.
- Typical values are at $V_{CC} = 3.3V$, +25°C ambient.
- Per TTL driven input. All other inputs at V_{CC} or GND.
- This parameter is not directly testable, but is derived for use in Total Power Supply Calculations. It is derived with Q frequency as the reference.
- Values for these conditions are examples of the I_{CC} formula. These limits are guaranteed but not tested.
- $I_C = I_{QUIESCENT} + I_{INPUTS} + I_{DYNAMIC}$
 $I_C = I_{CC} + \Delta I_{CC} D_{HNT} + I_{CCD}(f) + I_{LOAD}$
 $I_{CC} = \text{Quiescent Current (} I_{CC1}, I_{CC2} \text{ and } I_{CC3}\text{)}$
 $\Delta I_{CC} = \text{Power Supply Current for a TTL High Input (} V_{IN} = 3.4V\text{)}$
 $D_H = \text{Duty Cycle for TTL Inputs High}$
 $N_T = \text{Number of TTL Inputs at } D_H$
 $I_{CCD} = \text{Dynamic Current Caused by an Input Transition Pair (HLH or LHL)}$
 $f = 2Q \text{ Frequency}$
 $I_{LOAD} = \text{Dynamic Current due to load.}$

SYNCH INPUT TIMING

| REQUIREMENTS | | | | |
|-----------------|--|-------------------|---------------------|------|
| Symbol | Parameter | Min. | Max. | Unit |
| $T_{RISE/FALL}$ | Rise/Fall Times, SYNC inputs (0.8V to 2V) | — | 3 | ns |
| Frequency | Input Frequency, SYNC Inputs | 10 ⁽¹⁾ | 2Q f _{max} | MHz |
| Duty Cycle | Input Duty Cycle, SYNC Inputs | 25% | 75% | — |

OUTPUT FREQUENCY SPECIFICATIONS

| Symbol | Parameter | Min. | Max. ⁽²⁾ | | | | Unit |
|------------------|---|------|---------------------|-----|--------------------|--------------------|------|
| | | | 70 | 100 | 133 ⁽³⁾ | 150 ⁽³⁾ | |
| f _{2Q} | Operating frequency 2Q Output | 40 | 70 | 100 | 133 | 150 | MHz |
| f _Q | Operating frequency Q0-Q4, $\bar{Q}5$ Outputs | 20 | 35 | 50 | 66.7 | 75 | MHz |
| f _{Q/2} | Operating frequency Q/2 Output | 10 | 17.5 | 25 | 33.3 | 37.5 | MHz |

NOTES:

- Note 7 in "General AC Specification Notes" and Figure 3 describes this specification and its actual limits depending on the feedback connection.
- Maximum operating frequency is guaranteed with the part in a phase locked condition and all outputs loaded.
- At this frequency, 2Q cannot be used as feedback.

SWITCHING CHARACTERISTICS OVER OPERATING RANGE

| Symbol | Parameter | Condition ⁽¹⁾ | Min. | Max. | Unit |
|---|--|--|--------------------------------|--------------------------------|------|
| tRISE/FALL All Outputs | Rise/Fall Time (between 0.8V and 2V) | Load = 50Ω to Vcc/2, CL = 20pF | 0.2 ⁽²⁾ | 2 | ns |
| tpULSE WIDTH ⁽³⁾ Q, Q̄, Q/2 outputs ⁽³⁾ | Output Pulse Width Q0-Q4, Q̄5, Q/2, @ 1.5V | Load = 50Ω to Vcc/2, CL = 20pF | 0.5tCYCLE - 0.8 ⁽⁵⁾ | 0.5tCYCLE + 0.8 ⁽⁵⁾ | ns |
| tpULSE WIDTH 2Q Output ⁽³⁾ | Output Pulse Width 2Q @ 1.5V | | 0.5tCYCLE - 1 ⁽⁵⁾ | 0.5tCYCLE + 1 ⁽⁵⁾ | ns |
| tPD SYNC-FEEDBACK ⁽³⁾ | SYNC input to FEEDBACK delay (measured at SYNC0 or 1 and FEEDBACK input pins) | Load = 50Ω to Vcc/2, CL = 20pF 0.1μF from LF to Analog GND ⁽⁵⁾ | +0.1 | +1.3 | ns |
| tsKEW _r (rising) ^(3,4) | Output to Output Skew between outputs 2Q, Q0-Q4, Q/2 (rising edges only) | Load = 50Ω to Vcc/2, CL = 20pF | — | 600 | ps |
| tsKEW _f (falling) ^(3,4) | Output to Output Skew between outputs Q0-Q4 (falling edges only) | | — | 250 | ps |
| tsKEW _{all} ^(3,4) 2Q, Q/2, Q0-Q4 rising, Q̄5 falling | Output to Output Skew | | — | 800 | ps |
| tLOCK ⁽⁶⁾ | Time required to acquire Phase-Lock from time SYNC input signal is received | | 1 ⁽²⁾ | 10 | ms |
| tpZH tpZL | Output Enable Time OE/ \overline{RST} (LOW-to-HIGH) to Q, 2Q, Q/2, Q̄ | | 3 ⁽²⁾ | 14 | ns |
| tPHZ tPLZ | Output Disable Time OE/ \overline{RST} (HIGH-to-LOW) to Q, 2Q, Q/2, Q̄ | | 3 ⁽²⁾ | 14 | ns |

GENERAL AC SPECIFICATION NOTES:

- See test circuit and waveforms.
- Minimum limits are guaranteed but not tested.
- These specifications are guaranteed but not production tested.
- Under equally loaded conditions, as specified under test conditions and at a fixed temperature and voltage.
- tCYCLE = 1/frequency at which each output (Q, Q̄, Q/2 or 2Q) is expected to run.
- With Vcc fully powered-on and an output properly connected to the FEEDBACK pin, tLOCK Max. is with C1 = 0.1μF, tLOCK Min. is with C1 = 0.01μF. (Where C1 is loop filter capacitor shown in Figure 2).
- The wiring diagrams and written explanations of Figure 3 demonstrate the input and output frequency relationships for various possible feedback configurations. The allowable SYNC input range to stay in the phase-locked condition is also indicated. There are two allowable SYNC frequency ranges, depending on whether FREQ_SEL is HIGH or LOW. Also it is possible to feed back the Q5 output, thus creating a 180° phase shift between the SYNC input and the Q outputs. The table below summarizes the allowable SYNC frequency range for each possible configuration.

| FREQ_SEL Level | Feedback Output | Allowable SYNC Input Frequency Range (MHZ) | Corresponding 2Q Output Frequency Range | Phase Relationship of the Q Outputs to Rising SYNC Edge |
|-------------------|--------------------|---|--|--|
| HIGH | Q/2 | 10 to (2x Q fMAX Spec)/4 | 40 to (2Q fMAX Spec) | 0° |
| HIGH | Any Q (Q0-Q4) | 20 to (2x Q fMAX Spec)/2 | 40 to (2Q fMAX Spec) | 0° |
| HIGH | Q̄5 | 20 to (2x Q fMAX Spec)/2 | 40 to (2Q fMAX Spec) | 180° |
| HIGH | 2X Q | 40 to (2x Q fMAX Spec) | 40 to (2Q fMAX Spec) | 0° |
| LOW | Q/2 | 5 to (2x Q fMAX Spec)/8 | 20 to (2Q fMAX Spec)/2 | 0° |
| LOW | Any Q (Q0-Q4) | 10 to (2x Q fMAX Spec)/4 | 20 to (2Q fMAX Spec)/2 | 0° |
| LOW | Q̄5 | 10 to (2x Q fMAX Spec)/4 | 20 to (2Q fMAX Spec)/2 | 180° |
| LOW | 2X_Q | 20 to (2x_Q fMAX Spec)/2 | 20 to (2Q fMAX Spec)/2 | 0° |

GENERAL AC SPECIFICATION NOTES (continued):

8. The tPD spec describes how the phase offset between the SYNC input and the output connected to the FEEDBACK input, varies with process, temperature and voltage. The phase measurements were made at 1.5V. The Q/2 output was terminated at the FEEDBACK input with 100Ω to Vcc and 100Ω to ground. tPD measurements were made with the loop filter connection shown in Figure 1 below:

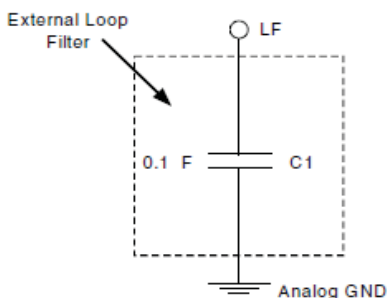


Figure 1

NOTES:

1. Figure 2 shows a loop filter and analog isolation scheme which will be effective in most applications. The following guidelines should be followed to ensure stable and jitter-free operation:
 - a. All loop filter and analog isolation components should be tied as close to the package as possible. Stray current passing through the parasitics of long traces can cause undesirable voltage transients at the LF pin.
 - b. The 10μF low frequency bypass capacitor and the 0.1μF high frequency bypass capacitor form a wide bandwidth filter that will minimize the 388915T's sensitivity to voltage transients from the system digital Vcc supply and ground planes. If good bypass techniques are used on a board design near components which may cause digital Vcc and ground noise, Vcc step deviations should not occur at the 388915T's digital Vcc supply. The purpose of the bypass filtering scheme shown in figure 2 is to give the 388915T additional protection from the power supply and ground plane transients that can occur in a high frequency, high speed digital system.
 - c. The loop filter capacitor (0.1μF) can be a ceramic chip capacitor, the same as a standard bypass capacitor.
2. In addition to the bypass capacitors used in the analog filter of Figure 2 there should be a 0.1μF bypass capacitor between each of the other (digital) four Vcc pins and the board ground plane. This will reduce output switching noise caused by the 388915T outputs, in addition to reducing potential for noise in the "analog" section of the chip. These bypass capacitors should also be tied as close to the 388915T package as possible.

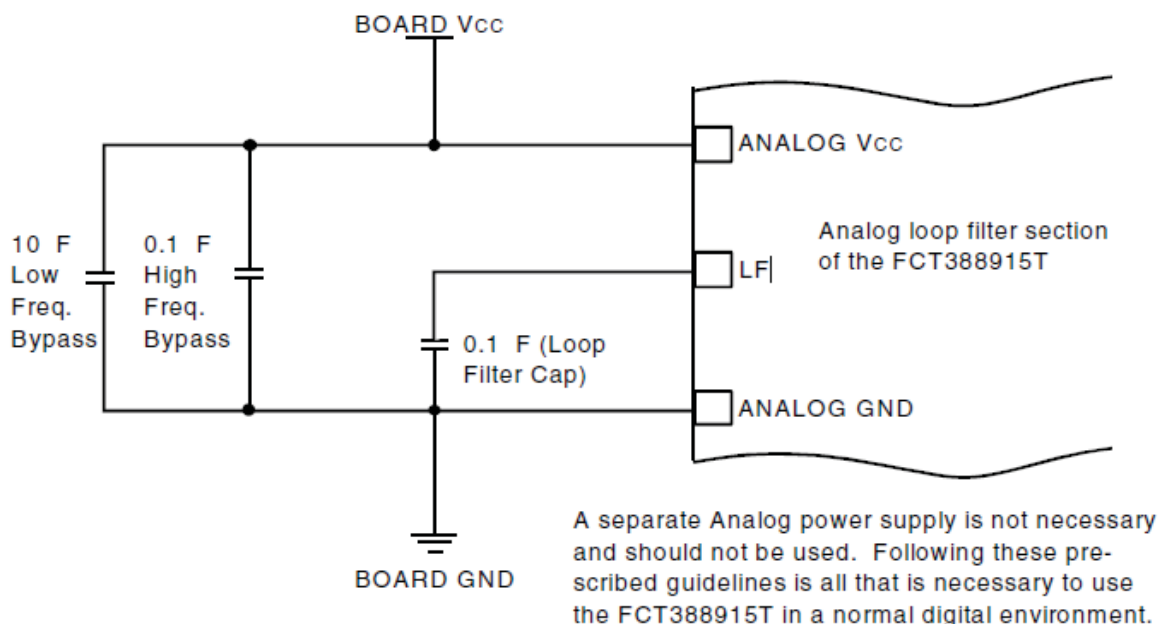
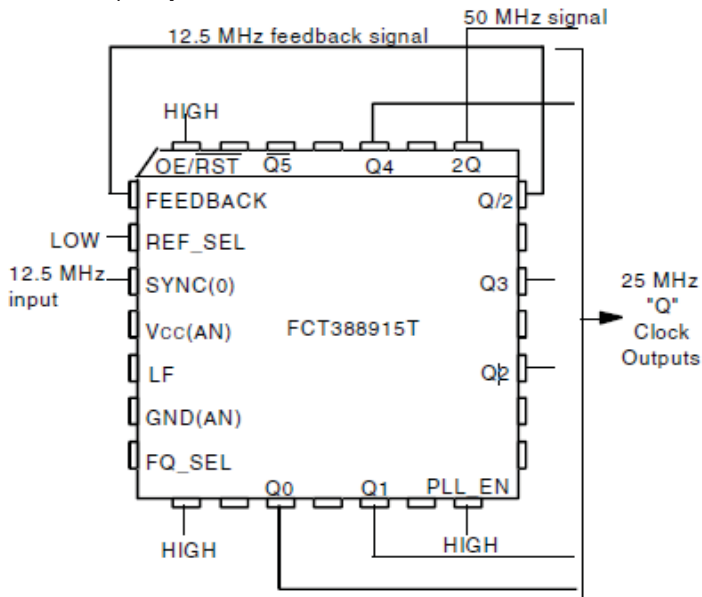


Figure 2. Recommended Loop Filter and Analog Isolation Scheme for the FCT388915T

The frequency relationship shown here is applicable to all Q outputs (Q0, Q1, Q2, Q3 and Q4).

1:2 INPUT TO "Q" OUTPUT FREQUENCY RELATIONSHIP

In this application, the Q/2 output is connected to the FEEDBACK input. The internal PLL will line up the positive edges of Q/2 and SYNC, thus the Q/2 frequency will equal the SYNC frequency. The Q outputs (Q0-Q4, $\overline{Q5}$) will always run at 2X the Q/2 frequency, and the 2Q output will run at 4X the Q/2 frequency.

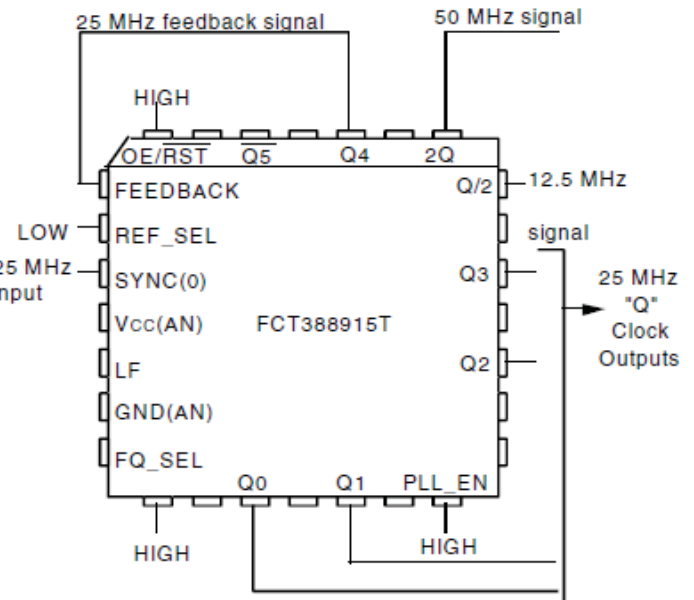


Allowable Input Frequency Range:
10MHz to (f2Q MAX Spec)/4 (for FREQ_SEL HIGH)
5MHz to (f2Q MAX Spec)/8 (for FREQ_SEL LOW)

Figure 3a. Wiring Diagram and Frequency Relationships With Q/2 Output Feedback

1:1 INPUT TO "Q" OUTPUT FREQUENCY RELATIONSHIP

In this application, the Q4 output is connected to the FEEDBACK input. The internal PLL will line up the positive edges of Q4 and SYNC, thus the Q4 frequency (and the rest of the "Q" outputs) will equal the SYNC frequency. The Q/2 output will always run at 1/2 the Q frequency, and the 2Q output will run at 2X the Q frequency.

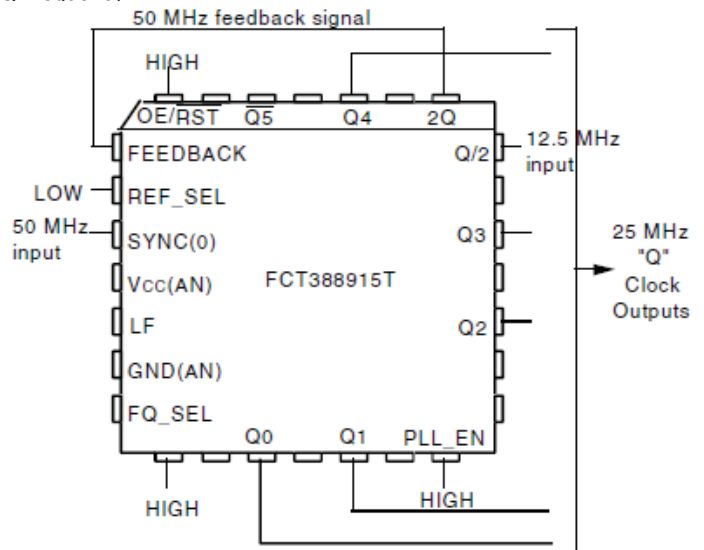


Allowable Input Frequency Range:
20MHz to (f2Q MAX Spec)/2 (for FREQ_SEL HIGH)
10MHz to (f2Q MAX Spec)/4 (for FREQ_SEL LOW)

Figure 3b. Wiring Diagram and Frequency Relationships With Q4 Output Feedback

2:1 INPUT TO "Q" OUTPUT FREQUENCY RELATIONSHIP

In this application, the 2Q output is connected to the FEEDBACK input. The internal PLL will line up the positive edges of 2Q and SYNC, thus the 2Q frequency will equal the SYNC frequency. The Q/2 output will always run at 1/4 the 2Q frequency, and the Q output will run at 1/2 the 2Q frequency.



Allowable Input Frequency Range:
40MHz to (f2Q MAX Spec) (for FREQ_SEL HIGH)
20MHz to (f2Q MAX Spec)/2 (for FREQ_SEL LOW)

Figure 3c. Wiring Diagram and Frequency Relationships With 2Q Output Feedback

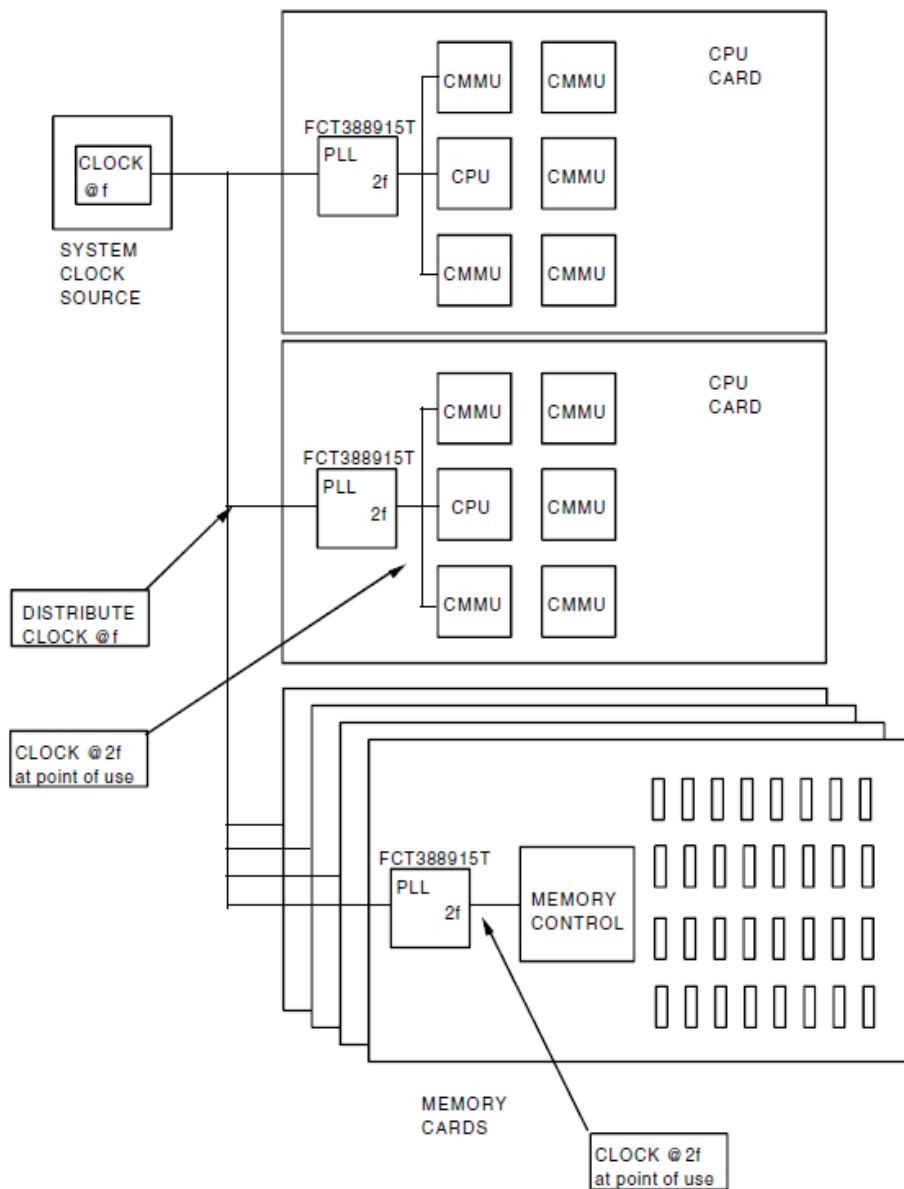


Figure 4. Multiprocessing Application Using the FCT388915T for Frequency Multiplication and Low Board-to-Board skew

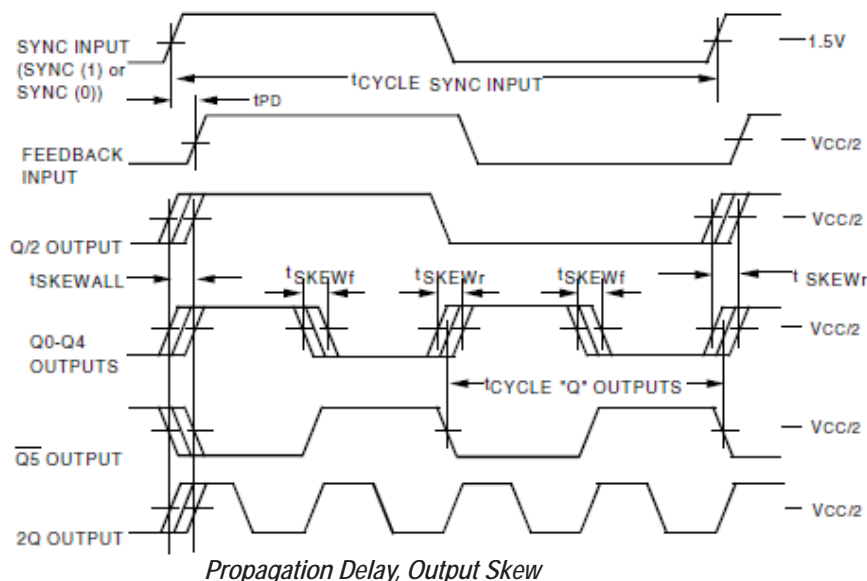
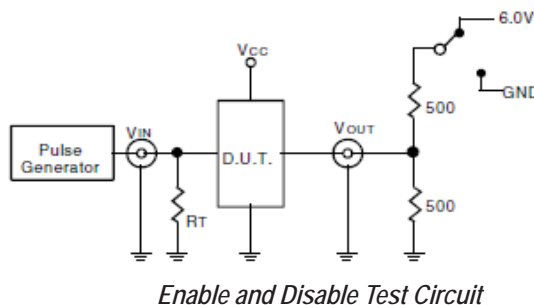
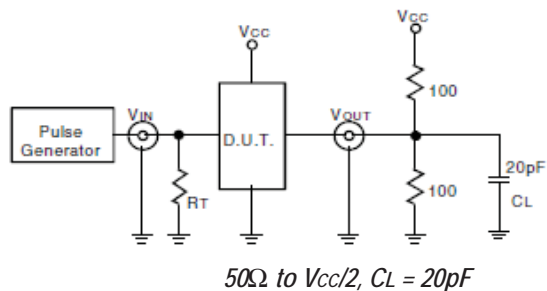
FCT388915T SYSTEM LEVEL TESTING FUNCTIONALITY

When the PLL_EN pin is LOW, the PLL is bypassed and the FCT388915T is in low frequency "test mode". In test mode (with `FREQ_SEL` HIGH), the 2Q output is inverted from the selected SYNC input, and the Q outputs are divide-by-2 (negative edge triggered) of the SYNC input, and the Q/2 output is divide-by-4 (negative edge triggered). With `FREQ_SEL` LOW the 2Q output is divide-by-2 of the SYNC, the Q outputs divide-by-4, and

the Q/2 output divide-by-8. These relationships can be seen in the block diagram. A recommended test configuration would be to use SYNC0 or SYNC1 as the test clock input, and tie PLL_EN and REF_SEL together and connect them to the test select logic.

This functionality is needed since most board-level testers run at 1 MHz or below, and the FCT 388915T cannot lock onto that low of an input frequency. In the test mode described above, any test frequency test can be used.

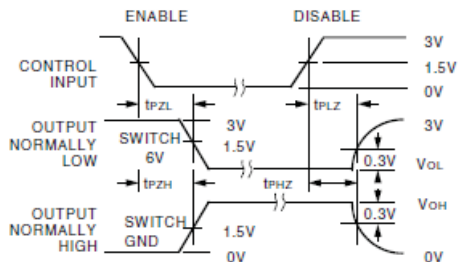
TEST CIRCUITS AND WAVEFORMS



(These waveforms represent the configuration of Figure 3a)

NOTES:

1. The FCT388915T aligns rising edges of the FEEDBACK input and SYNC input, therefore the SYNC input does not require a 50% duty cycle.
2. All skew specs are measured between the Vcc/2 crossing point of the appropriate output edges. All skews are specified as "windows", not as \pm deviation around a center point.
3. If a Q output is connected to the FEEDBACK input (this situation is not shown), the Q output frequency would match the SYNC input frequency, the 2Q output would run at twice the SYNC frequency and the Q/2 output would run at half the SYNC frequency.



Enable and Disable Times

SWITCH POSITION

| Test | Switch |
|-----------------------------|--------|
| Disable Low Enable Low | 6V |
| Disable High Enable High | GND |

DEFINITIONS:

CL = Load capacitance: includes jig and probe capacitance.
RT = Termination resistance: should be equal to ZOUT of the Pulse Generator.

NOTES:

1. Diagram shown for input Control Enable-LOW and input Control Disable-HIGH.
2. Pulse Generator for All Pulses: $t_f \leq 2.5\text{ns}$; $t_r \leq 2.5\text{ns}$.

ORDERING INFORMATION

| IDT | <u>XX</u> | FCT | <u>XXXXX</u> | <u>XX</u> | <u>XX</u> | | |
|-----|-------------|-----|--------------|--------------------|-----------|--|---|
| | Temp. Range | | Device Type | Speed | Package | | |
| | | | | | JG | | PLCC – Green |
| | | | | | PYG | | SSOP – Green |
| | | | | 70 ⁽¹⁾ | | | 70MHz Max. Frequency |
| | | | | 100 ⁽¹⁾ | | | 100MHz Max. Frequency |
| | | | | 133 ⁽¹⁾ | | | 133MHz Max. Frequency |
| | | | | 150 ⁽¹⁾ | | | 150MHz Max. Frequency |
| | | | | | 388915T | | 3.3V Low Skew PLL-Based CMOS Clock Driver |
| | | | | | 74 | | 0°C to +70°C |

NOTE:

1. When ordering GREEN packages, replace this numeric value with the equivalent letter below.

- B= 70 MHz (JG or PYG)
- C= 100 MHz (JG or PYG)
- D= 133 MHz (JG or PYG)
- E= 150 MHz (JG or PYG)

For example, to order a 133MHz version, Green PLCC, the nomenclature would be 74FCT388915TDJG.



CORPORATE HEADQUARTERS
 6024 Silver Creek Valley Road
 San Jose, CA 95138

for SALES:
 800-345-7015 or 408-284-8200
 fax: 408-284-2775
 www.idt.com

for Tech Support:
 clockhelp@idt.com

REVISION HISTORY

| Rev | Table | Page | Description of Change | Date |
|-----|-------|------|--|---------|
| A | | 1 | NRND - Not Recommended for New Designs | 5/5/13 |
| A | | 1 | Product Discontinuation Notice - last time buy expires September 7, 2016. PDN N-16-02 | 3/10/16 |

IMPORTANT NOTICE AND DISCLAIMER

RENESAS ELECTRONICS CORPORATION AND ITS SUBSIDIARIES (“RENESAS”) PROVIDES TECHNICAL SPECIFICATIONS AND RELIABILITY DATA (INCLUDING DATASHEETS), DESIGN RESOURCES (INCLUDING REFERENCE DESIGNS), APPLICATION OR OTHER DESIGN ADVICE, WEB TOOLS, SAFETY INFORMATION, AND OTHER RESOURCES “AS IS” AND WITH ALL FAULTS, AND DISCLAIMS ALL WARRANTIES, EXPRESS OR IMPLIED, INCLUDING, WITHOUT LIMITATION, ANY IMPLIED WARRANTIES OF MERCHANTABILITY, FITNESS FOR A PARTICULAR PURPOSE, OR NON-INFRINGEMENT OF THIRD PARTY INTELLECTUAL PROPERTY RIGHTS.

These resources are intended for developers skilled in the art designing with Renesas products. You are solely responsible for (1) selecting the appropriate products for your application, (2) designing, validating, and testing your application, and (3) ensuring your application meets applicable standards, and any other safety, security, or other requirements. These resources are subject to change without notice. Renesas grants you permission to use these resources only for development of an application that uses Renesas products. Other reproduction or use of these resources is strictly prohibited. No license is granted to any other Renesas intellectual property or to any third party intellectual property. Renesas disclaims responsibility for, and you will fully indemnify Renesas and its representatives against, any claims, damages, costs, losses, or liabilities arising out of your use of these resources. Renesas' products are provided only subject to Renesas' Terms and Conditions of Sale or other applicable terms agreed to in writing. No use of any Renesas resources expands or otherwise alters any applicable warranties or warranty disclaimers for these products.

(Rev.1.0 Mar 2020)

Corporate Headquarters

TOYOSU FORESIA, 3-2-24 Toyosu,
Koto-ku, Tokyo 135-0061, Japan
www.renesas.com

Contact Information

For further information on a product, technology, the most up-to-date version of a document, or your nearest sales office, please visit:
www.renesas.com/contact/

Trademarks

Renesas and the Renesas logo are trademarks of Renesas Electronics Corporation. All trademarks and registered trademarks are the property of their respective owners.

X-ON Electronics

Largest Supplier of Electrical and Electronic Components

Click to view similar products for [Clock Drivers & Distribution](#) category:

Click to view products by [Renesas](#) manufacturer:

Other Similar products are found below :

[8501BYLF](#) [P9090-0NLGI8](#) [854110AKILF](#) [83210AYLF](#) [NB6VQ572MMNG](#) [HMC6832ALP5LETR](#) [RS232-S5](#) [6ES7390-1AF30-0AA0](#)
[CDCVF2505IDRQ1](#) [LV5609LP-E](#) [NB7L572MNR4G](#) [SY100EP33VKG](#) [ISPPAC-CLK5520V-01T100C](#) [6EP1332-1SH71](#) [6ES7231-4HD32-0XB0](#) [AD246JN](#) [AD246JY](#) [AD9510BCPZ](#) [AD9510BCPZ-REEL7](#) [AD9511BCPZ](#) [AD9511BCPZ-REEL7](#) [AD9512BCPZ](#) [AD9512UCPZ-EP](#)
[AD9513BCPZ](#) [AD9514BCPZ](#) [AD9514BCPZ-REEL7](#) [AD9515BCPZ](#) [AD9515BCPZ-REEL7](#) [AD9572ACPZLVD](#) [AD9572ACPZPEC](#)
[AD9513BCPZ-REEL7](#) [ADCLK950BCPZ-REEL7](#) [ADCLK950BCPZ](#) [AD9553BCPZ](#) [HMC940LC4B](#) [HMC6832ALP5LE](#) [CSPUA877ABVG8](#)
[9P936AFLFT](#) [49FCT3805ASOG](#) [49FCT3805DQGI](#) [49FCT3805EQGI](#) [49FCT805CTQG](#) [74FCT3807EQGI](#) [74FCT388915TEPYG](#)
[853S013AMILF](#) [853S058AGILF](#) [8SLVD1208-33NBGI](#) [8V79S680NLGI](#) [ISPPAC-CLK5312S-01TN48I](#) [ISPPAC-CLK5520V-01TN100I](#)