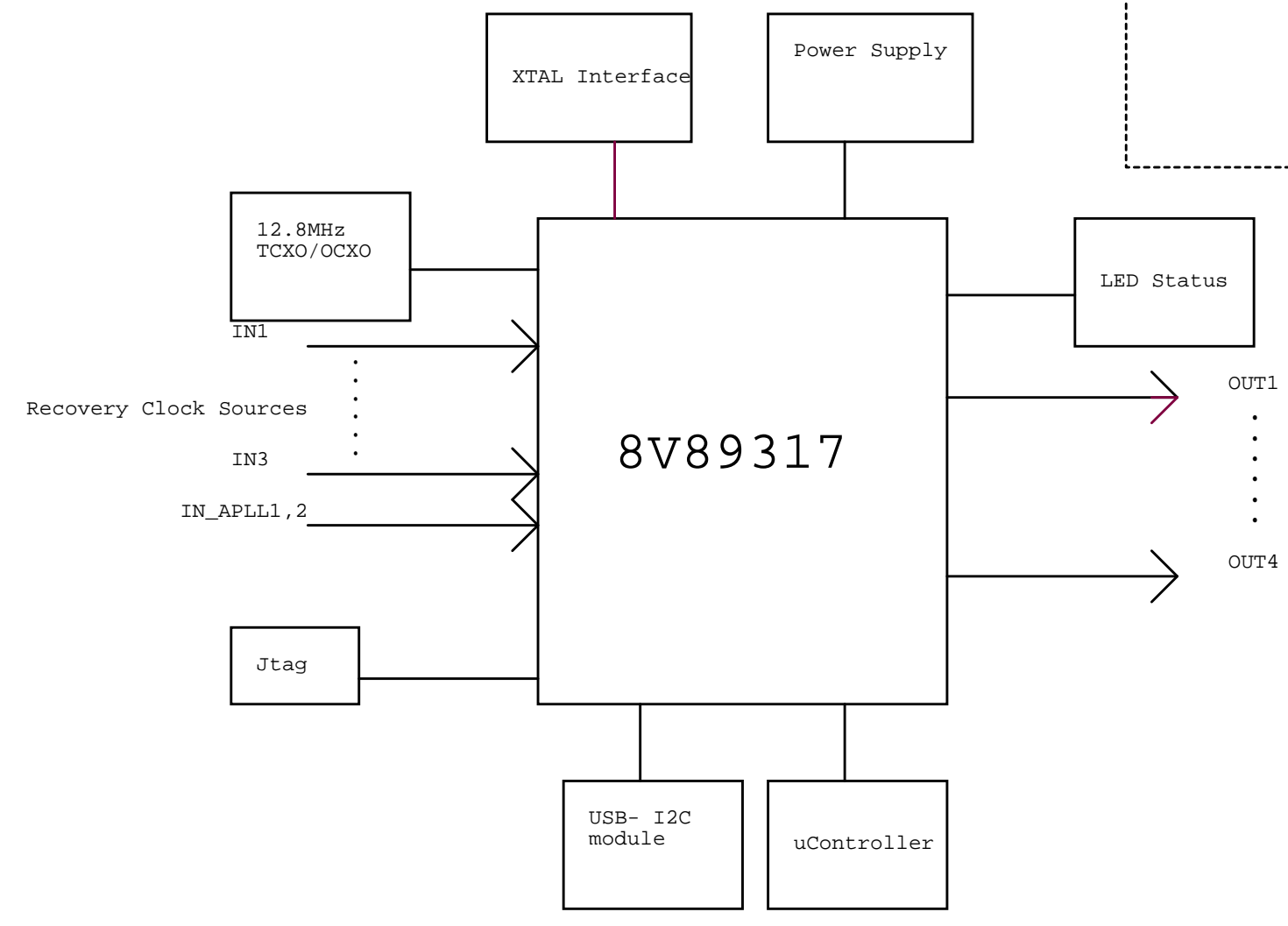
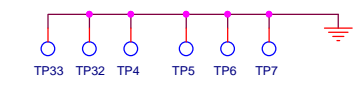
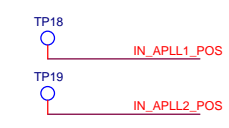
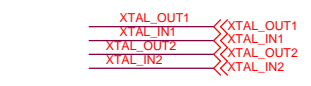
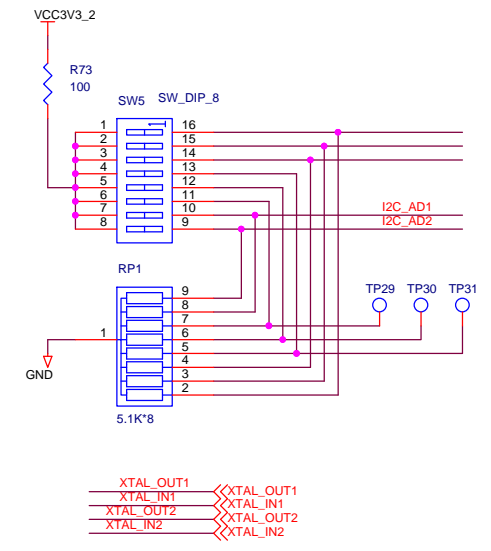
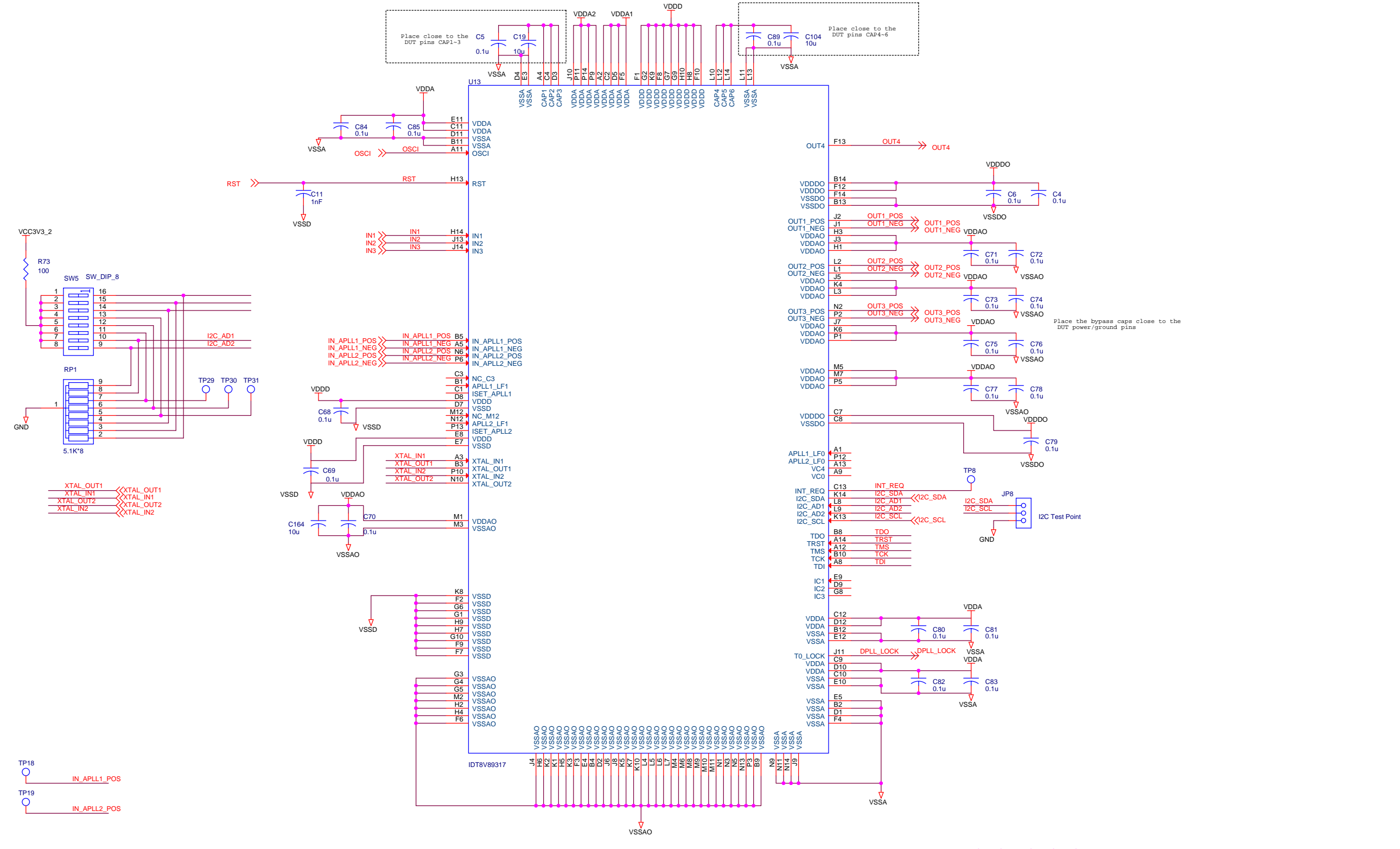
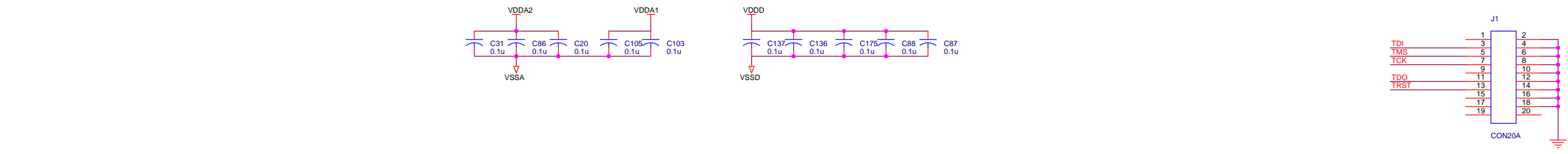


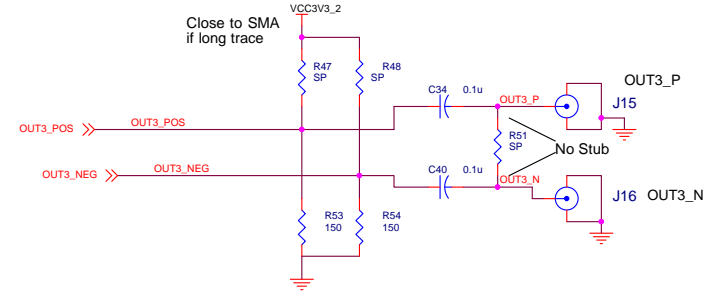
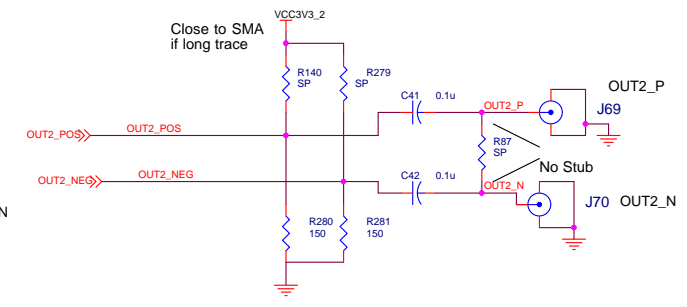
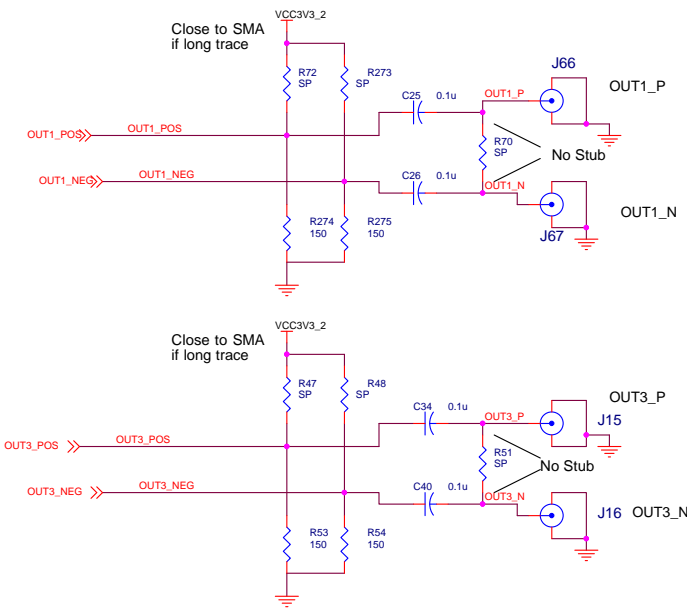
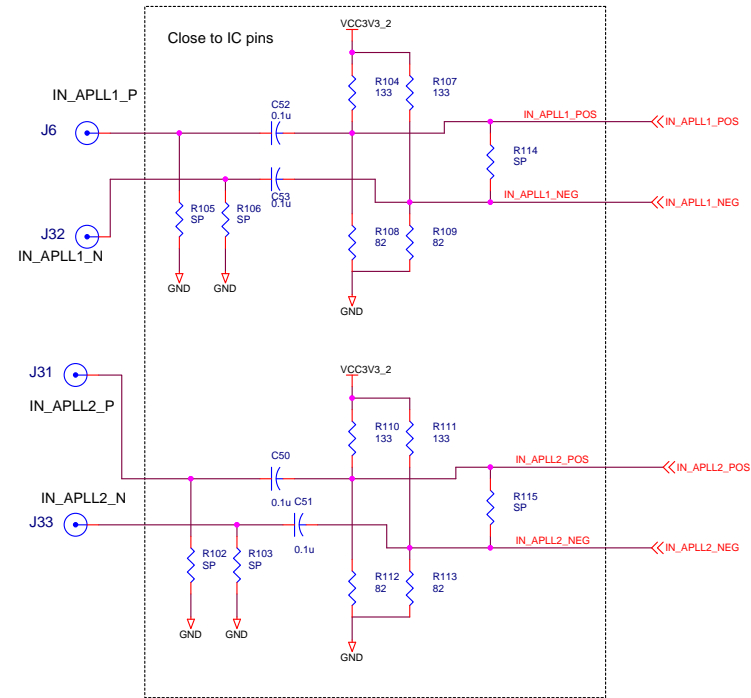
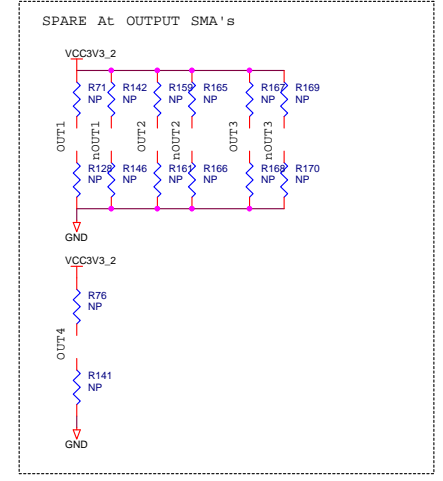
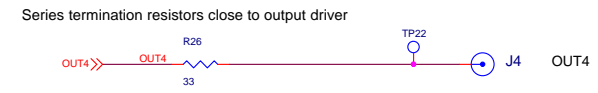
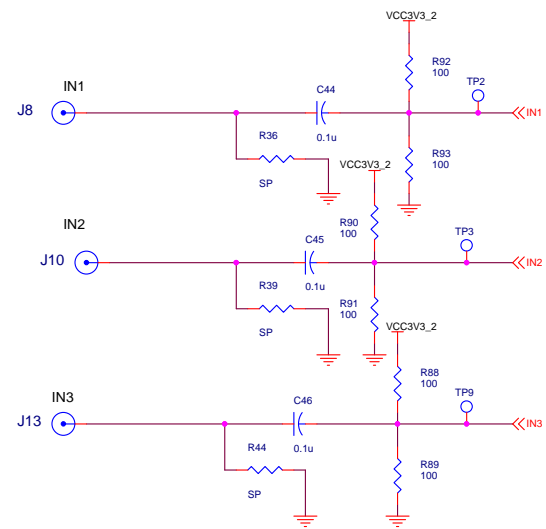
Disclaimer: IDT is providing this schematic for reference purposes only. Although the schematic was taken from a known working design, it is being provided "as is" without any express or implied warranty of any kind.



Title		
SCHEMATIC, 8V89317EVB REV A		
Size A	Document Number Block Diagram	Rev 0.0
Date:	Friday, June 14, 2013	Sheet 1 of 5



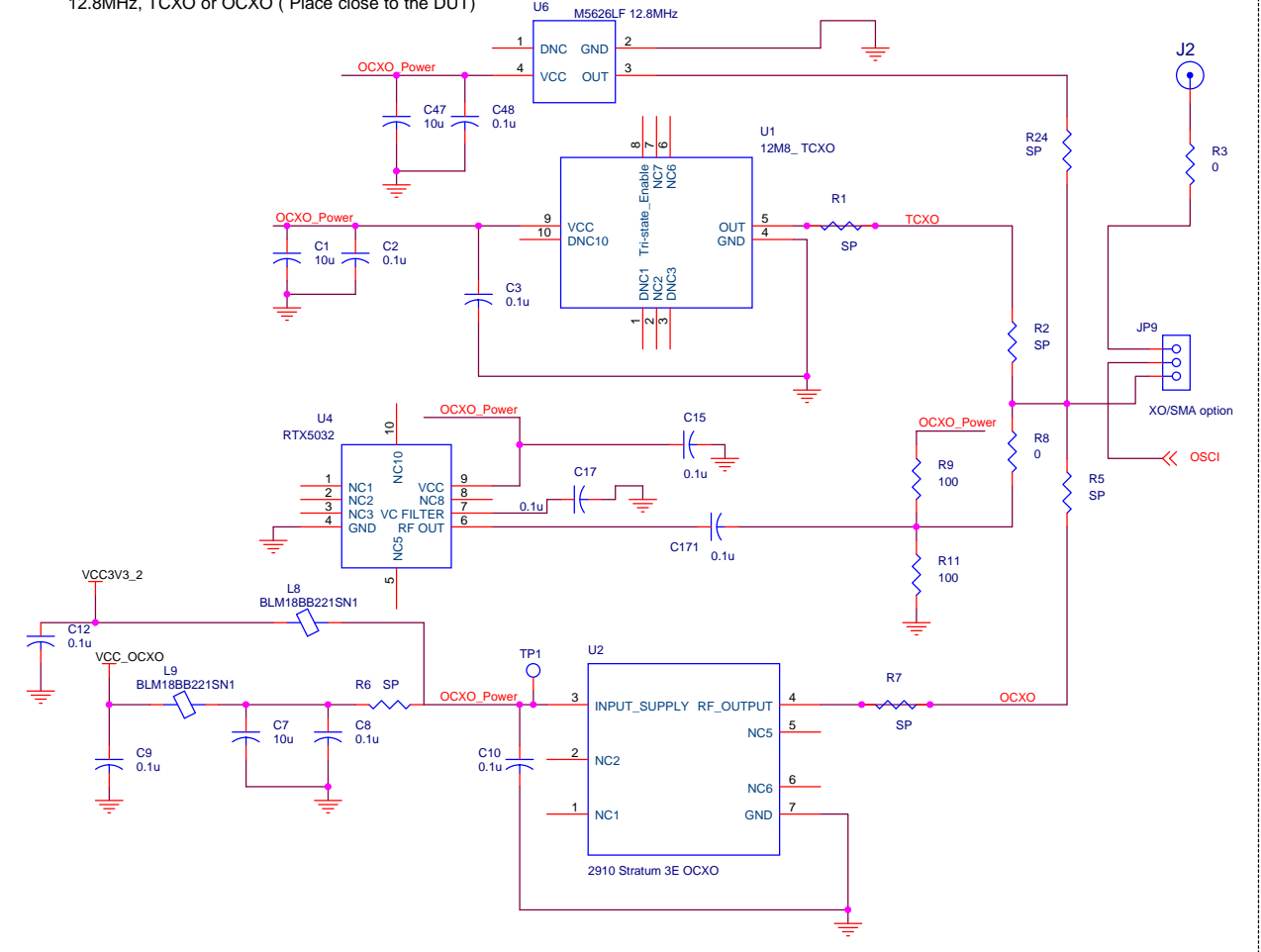
Title			
SCHEMATIC, 8V89317 EVB REV A			
Size	Document Number	Rev	
Custom	8V89317	0.0	
Date:	Friday, June 14, 2013	Sheet	2 of 5



SMA's for input can be either END LAUNCH or STRAIGHT depends on which way save space. TBD during layout

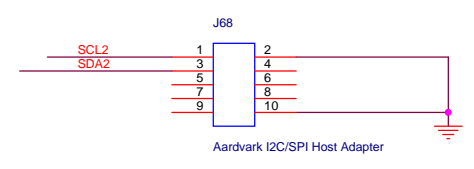
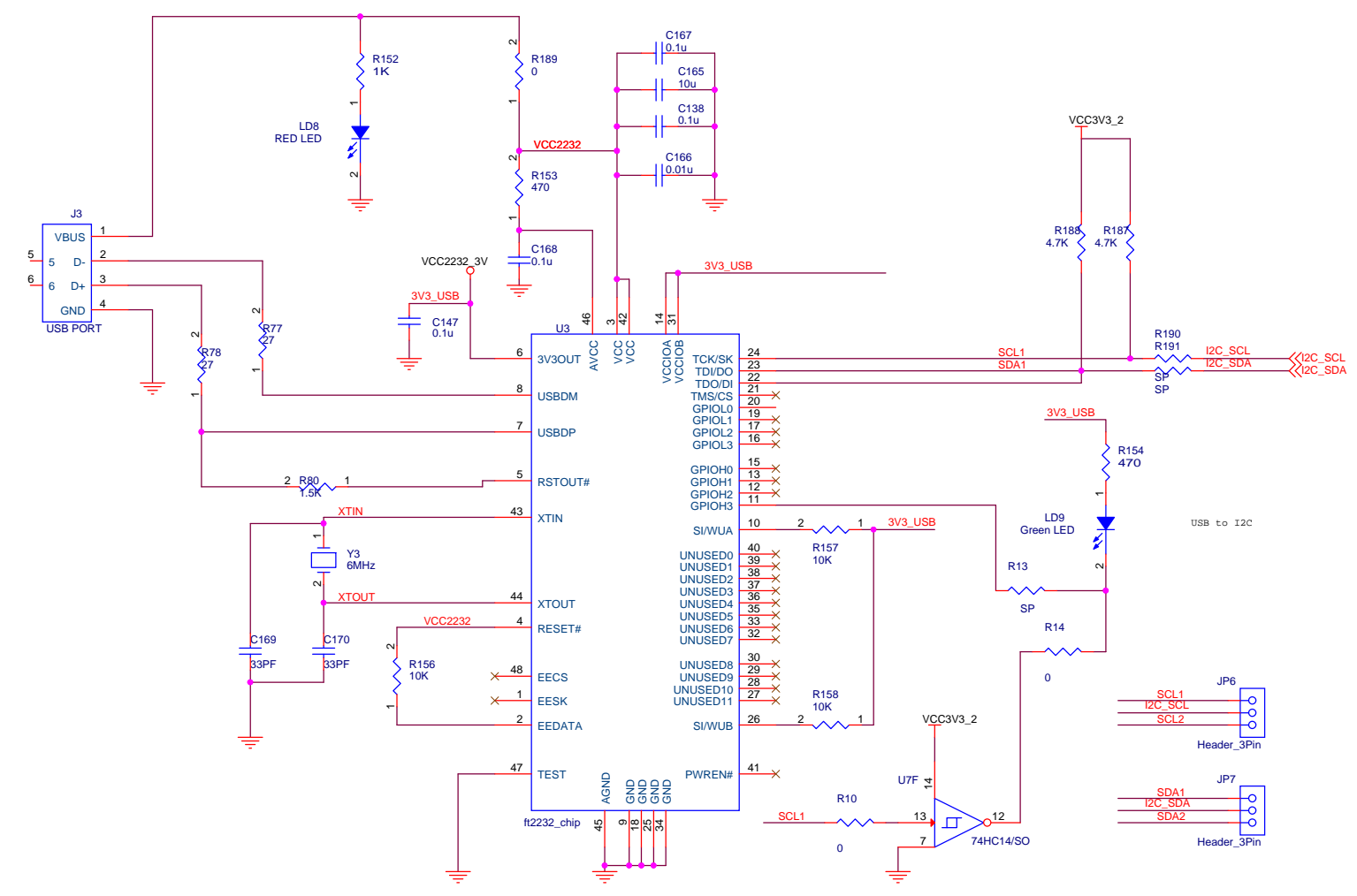
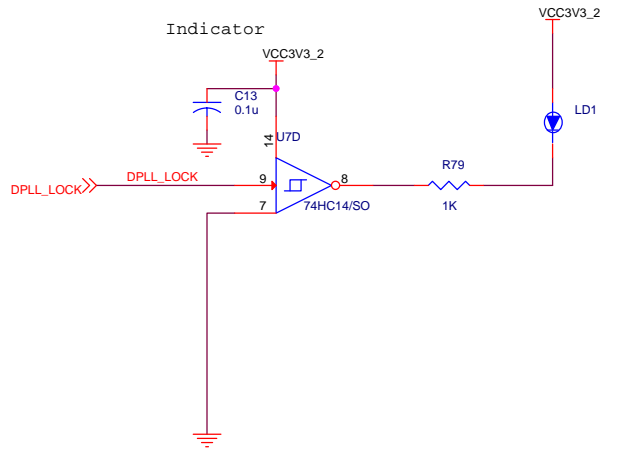
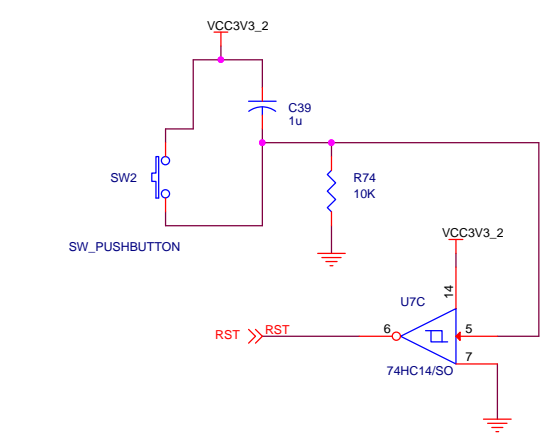
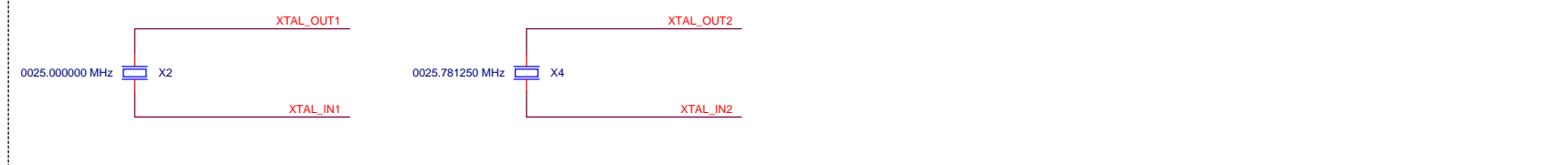
File			
SCHEMATIC, 8V89317 EVB REV A			
Size	Document Number	Rev	
Custom	8V89317_JO_Termination	0.0	
Date:	Friday, June 14, 2013	Sheet	3 of 5

12.8MHz, TCXO or OCXO (Place close to the DUT)

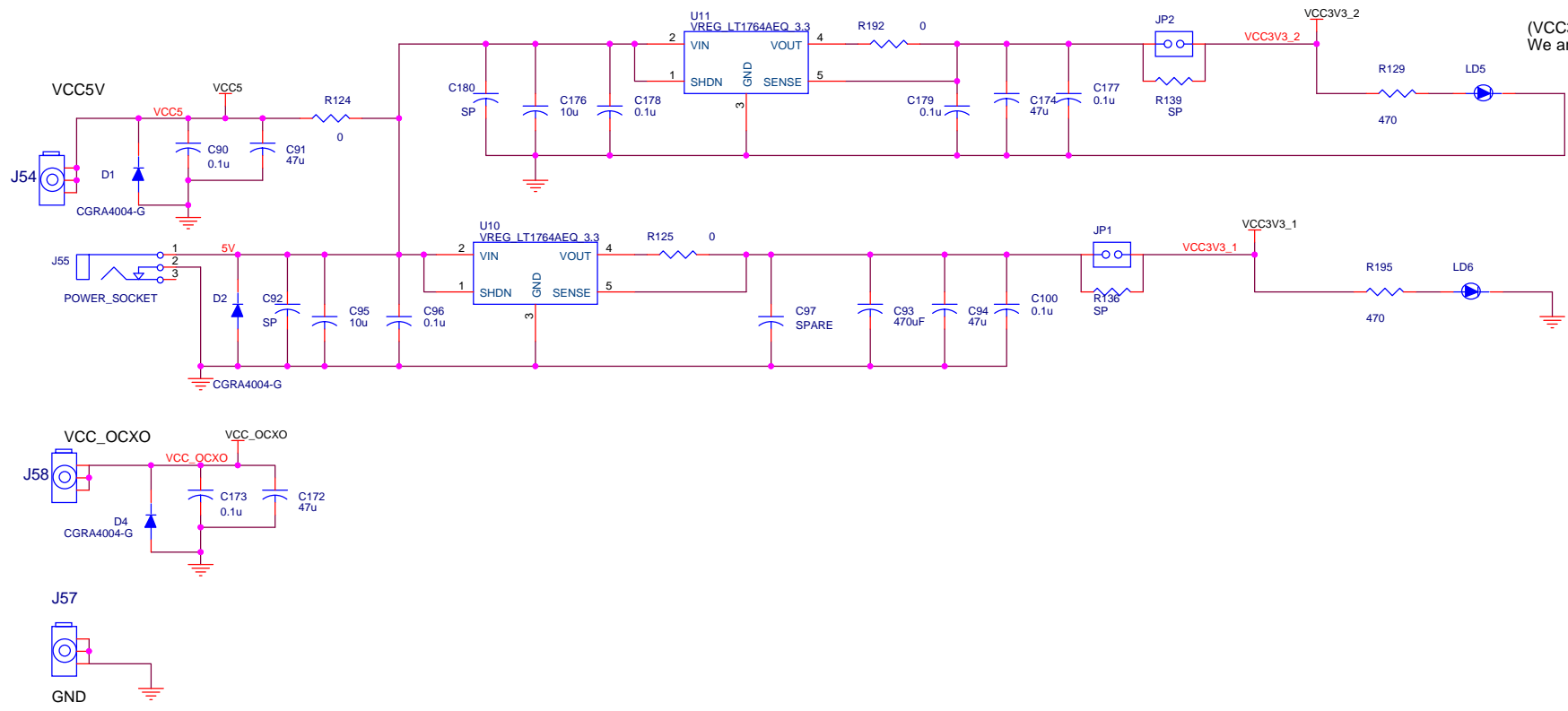


25MHz XTAL Interface (Place close to the DUT and Put xtals on same layer as BGA pads, shorter trace length, no stubs)

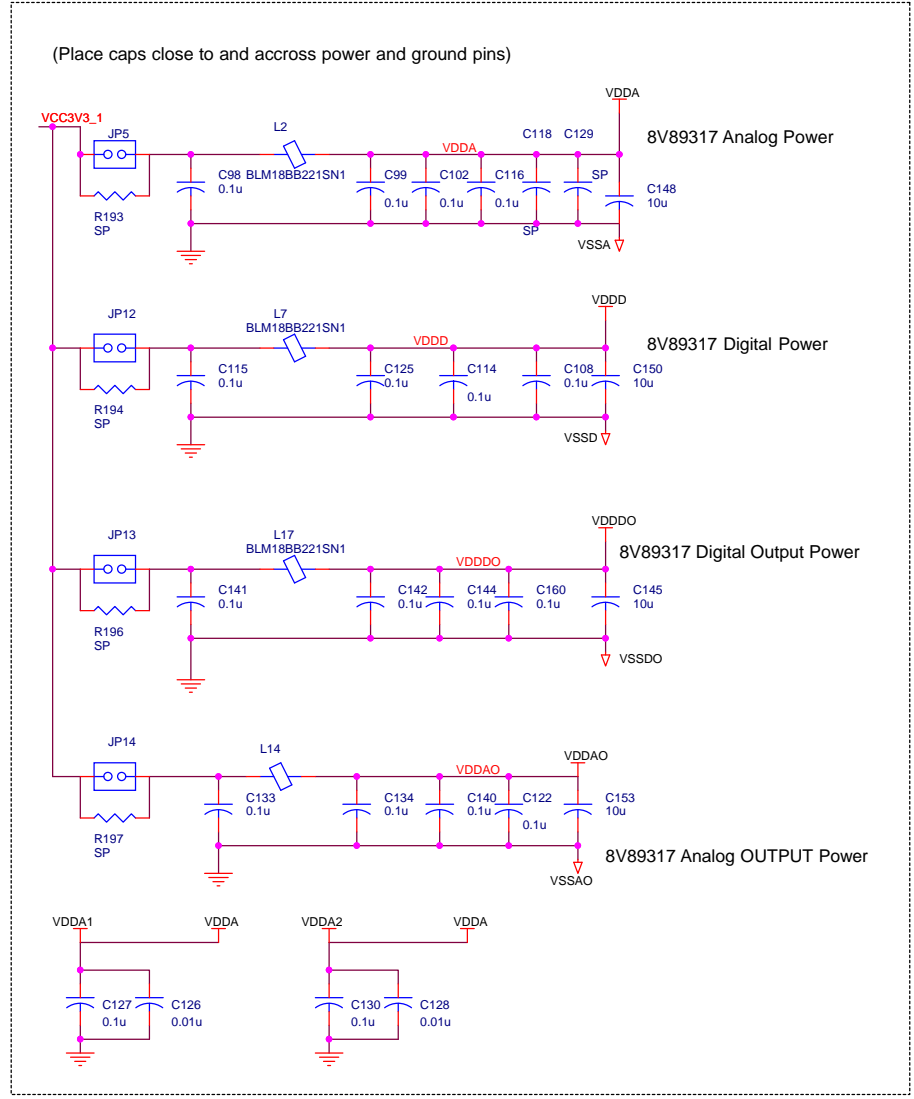
- 1) Clocks and frequently switched signals should not be routed close to the crystals.
- 2) Digital signals should not be routed directly under the crystal or XTALn_IN/OUT pins.
- 3) Keep the crystal bond pads and trace width to the XTALn_IN/OUT pins as small as possible.
- 4) All metal layers in the PCB are recommended to be removed under the XTALn_OUT ball, crystal pad and associated trace.
- 5) It is recommended to protect crystal traces with ground traces and guard rings.



XTAL_OUT1
XTAL_IN1
XTAL_OUT2
XTAL_IN2



(VCC3V3_1 is used for the 8V89317 DUT and VCC3V3_2 is for the rest of the board circuits. We are not suggesting a dedicated LDO for the 8V89317 with this reference design, this is just convenient for the test.)



Title		
SCHEMATIC, 8V89317 EVB REV A		
Size	Document Number	Rev
C	Power/GND	0.0
Date:	Friday, June 14, 2013	Sheet 5 of 5

X-ON Electronics

Largest Supplier of Electrical and Electronic Components

Click to view similar products for [Clock & Timer Development Tools](#) category:

Click to view products by [Renesas](#) manufacturer:

Other Similar products are found below :

[AD9517-0A/PCBZ](#) [AD9517-2A/PCBZ](#) [AD9522-4/PCBZ](#) [AD9520-5PCBZ](#) [AD9553/PCBZ](#) [ADCLK914PCBZ](#) [LMH2180SDEVAL](#) [DSC400-0333Q0032KE1-EVB](#) [TDGL013](#) [MAX2880EVKIT#](#) [MAX2750EVKIT](#) [MAX2752EVKIT](#) [ADCLK946PCBZ](#) [ADCLK946/PCBZ](#) [MAX2622EVKIT](#) [EKIT01-HMC1032LP6G](#) [Si5332-8IX-EVB](#) [RV-2251-C3-EVALUATION-BOARD](#) [Si5332-12IX-EVB](#) [RV-3029-C2-EVALUATION-BOARD-OPTION-B](#) [Si5332-6IX-EVB](#) [SKY72310-11-EVB](#) [EV1HMC8364LP6G](#) [RV-8263-C7-EVALUATION-BOARD](#) [EVK9FGV1002](#) [EVK9FGV1008](#) [EV1HMC6832ALP5L](#) [EVAL01-HMC830LP6GE](#) [EVAL01-HMC911LC4B](#) [TS3002DB](#) [125605-HMC702LP6CE](#) [LMX2487E-EVM](#) [MIKROE-2481](#) [2045](#) [EKIT01-HMC835LP6G](#) [EKIT01-HMC834LP6GE](#) [TS3006DB](#) [DSC-TIMEFLASH2-KIT1](#) [110227-HMC510LP5](#) [110227-HMC513LP5](#) [AD9515/PCBZ](#) [ADCLK948/PCBZ](#) [ADCLK954/PCBZ](#) [112261-HMC739LP4](#) [ADCLK925/PCBZ](#) [AD9522-0/PCBZ](#) [AD9520-4/PCBZ](#) [AC164147](#) [DFR0469](#) [LMK04133EVAL/NOPB](#)