

# Programmable Timing Control Hub™ for P4™ processor

## Recommended Application:

CK410M Compliant Main Clock

## Output Features:

- 2 - 0.7V current-mode differential CPU pairs
- 1 - 0.7V current-mode differential PCIEX/PEREQ# selectable pair
- 6 - 0.7V current-mode differential PCIEX pairs
- 1 - 0.7V current-mode differential CPU\_ITP/PCIEX selectable pairs
- 1 - 0.7V current-mode differential SATA pair
- 1 - 0.7V current-mode differential LCDCLK/PCIEX/27MHz selectable pair
- 4 - PCI (33MHz)
- 2 - PCICLK\_F, (33MHz) free-running
- 1 - USB, 48MHz
- 1 - DOT, 96MHz, 0.7V current differential pair
- 2 - REF, 14.318MHz

## Key Specifications:

- CPU outputs cycle-cycle jitter < 85ps
- PCIEX outputs cycle-cycle jitter < 125ps
- SATA outputs cycle-cycle jitter < 125ps
- PCI outputs cycle-cycle jitter < 500ps
- +/- 300ppm frequency accuracy on CPU, PCIEX and SATA clocks
- +/- 100ppm frequency accuracy on USB clocks

## Features/Benefits:

- Supports tight ppm accuracy clocks for Serial-ATA and PCIEX
- Supports programmable spread percentage and frequency
- Uses external 14.318MHz crystal, external crystal load caps are required for frequency tuning
- Supports undriven differential CPU, PCIEX pair in PD for power management.
- PEREQ# pins to support PCIEX power management.
- PWR-SAVE pin for real time power saving.

## Pin Configuration

Pin Configuration			
VDDPCI	1	64	PCICLK2/REQ_SEL**
GND	2	63	PCI/PCIEX_STOP#
PCICLK3	3	62	CPU_STOP#
PCICLK4	4	61	REF1/FSLC/TEST_SEL
*SELPCIEX0_LCD#PCICLK5	5	60	REF0
GND	6	59	GND
VDDPCI	7	58	X1
ITP_EN/PCICLK_F0	8	57	X2
*SELLCD_27#/PCICLK_F1	9	56	VDDREF
Vtt_PwrGd#/PD	10	55	SDATA
VDD48	11	54	SCLK
FS_A/USB_48MHz	12	53	GND
GND	13	52	CPUCLKT0
DOTT_96MHz	14	51	CPUCLKC0
DOTC_96MHz	15	50	VDDCPU
FS_B/TEST_MODE	16	49	CPUCLKT1
27FIX/LCD_SSCGT/PCIEX0T	17	48	CPUCLKC1
27SS/LCD_SSCGC/PCIEX0C	18	47	IREF
PCIEXT1	19	46	GND
PCIEXC1	20	45	VDDA
VDDPCIEX	21	44	CPUCLKT2_ITP/PCIEXT8
PCIEXT2	22	43	CPUCLKC2_ITP/PCIEXC8
PCIEXC2	23	42	VDDPCIEX
PCIEXT3	24	41	PEREQ1#/PCIEXT7
PCIEXC3	25	40	PEREQ2#/PCIEXC7
SATACLKT	26	39	PCIEXT6
SATACLKC	27	38	PCIEXC6
VDDPCIEX	28	37	GND
GND	29	36	PCIEXT5
PCIEXT4	30	35	PCIEXC5
PCIEXC4	31	34	PWRSERVE#*
*PEREQ3#	32	33	PEREQ4#*

64-TSSOP

\* Internal Pull-Up Resistor  
\*\* Internal Pull-Down Resistor

Note: Please add an external resistor for pull up or down, never rely on an internal resistor when the pin is connected to a device. It is not recommended to connect dual function (I/O) pins to slots.

## Functionality Table

FS <sub>L</sub> C	FS <sub>L</sub> B	FS <sub>L</sub> A	CPU MHz	PCI MHz	PCIEX MHz	Spread %
0	0	0	266.66	33.33	100.00	0.5% Down
0	0	1	133.33	33.33	100.00	0.5% Down
0	1	0	200.00	33.33	100.00	0.5% Down
0	1	1	166.66	33.33	100.00	0.5% Down
1	0	0	333.33	33.33	100.00	0.5% Down
1	0	1	100.00	33.33	100.00	0.5% Down
1	1	0	400.00	33.33	100.00	0.5% Down
1	1	1	200.00	33.33	100.00	0.5% Down

## Pin Description

PIN #	PIN NAME	TYPE	DESCRIPTION
1	VDDPCI	PWR	Power supply for PCI clocks, nominal 3.3V
2	GND	PWR	Ground pin.
3	PCICK3	OUT	PCI clock output.
4	PCICK4	OUT	PCI clock output.
5	*SELPCIEX0_LCD#PCICK5	I/O	Latched select input for LCDCLK/PCIEX output 0 = LCDCLK, 1 = PCIEX / 3.3V PCI clock output.
6	GND	PWR	Ground pin.
7	VDDPCI	PWR	Power supply for PCI clocks, nominal 3.3V
8	ITP_EN/PCICK_F0	I/O	Free running PCI clock not affected by PCI_STOP#. ITP_EN: latched input to select pin functionality 1 = CPU_ITP pair 0 = SRC pair
9	*SELLCD_27#/PCICK_F1	I/O	Free running PCI clock not affected by PCI_STOP#. SELLCD_27#: latched input to select pin functionality 1 = LCDCLK pair 0 = 27MHzSS/27MHzSS# pair
10	Vtt_PwrGd#/PD	IN	Vtt_PwrGd# is an active low input used to determine when latched inputs are ready to be sampled. PD is an asynchronous active high input pin used to put the device into a low power state. The internal clocks, PLLs and the crystal oscillator are stopped.
11	VDD48	PWR	Power pin for the 48MHz output.3.3V
12	FSLA/USB_48MHz	I/O	3.3V tolerant input for CPU frequency selection. Refer to input electrical characteristics for Vil_FS and Vih_FS values. / Fixed 48MHz USB clock output. 3.3V.
13	GND	PWR	Ground pin.
14	DOTT_96MHz	OUT	True clock of differential pair for 96.00MHz DOT clock.
15	DOTC_96MHz	OUT	Complement clock of differential pair for 96.00MHz DOT clock.
16	FSLB/TEST_MODE	IN	3.3V tolerant input for CPU frequency selection. Refer to input electrical characteristics for Vil_FS and Vih_FS values. TEST_MODE is a real time input to select between Hi-Z and REF/N divider mode while in test mode. Refer to Test Clarification Table.
17	27FIX/LCD_SSCGT/PCIEX0T	OUT	True clock of LCDCLK output / True clock of PCIEXCLK differential pair/27MHz Non-Spread Push-Pull output, selected by SELPCIEX0_LCD# and SELLCD_27#.
18	27SS/LCD_SSCGC/PCIEX0C	OUT	Complementary clock of LCDCLK_SS output / Complementary clock of PCIEXCLK differential pair/27MHz Spreading Push-Pull output, selected by SELPCIEX0_LCD# and SELLCD_27#.
19	PCIEXT1	OUT	True clock of differential PCI_Express pair.
20	PCIEXC1	OUT	Complement clock of differential PCI_Express pair.
21	VDDPCIEX	PWR	Power supply for PCI Express clocks, nominal 3.3V
22	PCIEXT2	OUT	True clock of differential PCI_Express pair.
23	PCIEXC2	OUT	Complement clock of differential PCI_Express pair.
24	PCIEXT3	OUT	True clock of differential PCI_Express pair.
25	PCIEXC3	OUT	Complement clock of differential PCI_Express pair.
26	SATACLKT	OUT	True clock of differential SATA pair.
27	SATACLKC	OUT	Complement clock of differential SATA pair.
28	VDDPCIEX	PWR	Power supply for PCI Express clocks, nominal 3.3V
29	GND	PWR	Ground pin.
30	PCIEXT4	OUT	True clock of differential PCI_Express pair.
31	PCIEXC4	OUT	Complement clock of differential PCI_Express pair.
32	*PEREQ3#	IN	Real-time input pin that controls PCIEXCLK outputs that are selected through the I2c. 1 = disabled, 0 = enabled.

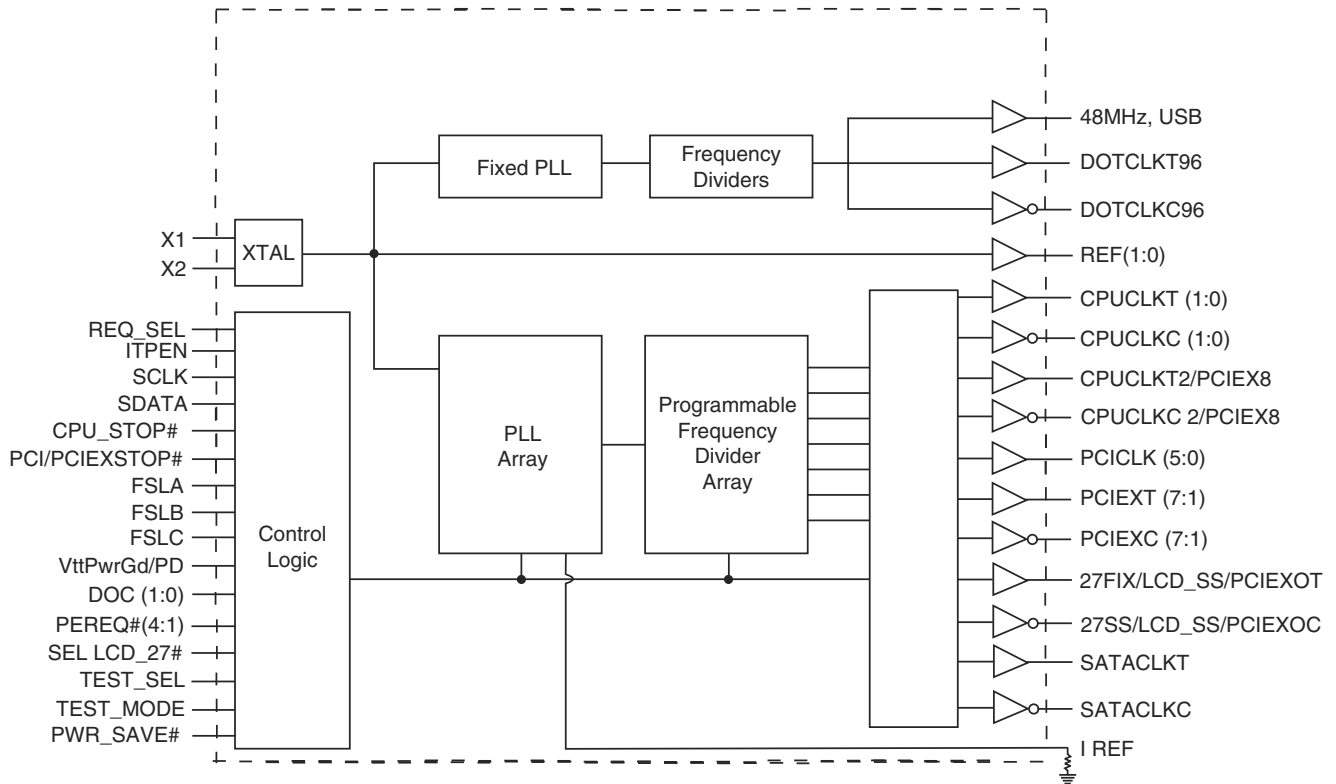
## Pin Description (Continued)

PIN #	PIN NAME	TYPE	DESCRIPTION
33	PEREQ4#*	IN	Real-time input pin that controls PCIEXCLK outputs that are selected through the I2c. 1 = disabled, 0 = enabled.
34	PWRSERVE#*	IN	Active-low input pin used to change frequency to underclocked entries in the ROM table that can be pre-programmed through Byte 6 of the I2c.
35	PCIEXC5	OUT	Complement clock of differential PCI_Express pair.
36	PCIEXT5	OUT	True clock of differential PCI_Express pair.
37	GND	PWR	Ground pin.
38	PCIEXC6	OUT	Complement clock of differential PCI_Express pair.
39	PCIEXT6	OUT	True clock of differential PCI_Express pair.
40	PEREQ2#/PCIEXC7	I/O	Real-time input pin that controls PCIEXCLK outputs that are selected through REQ_SEL. 0 = PCIEXC7, 1 = PECLKQ2#. / Complement clock of differential PCI Express output.
41	PEREQ1#/PCIEXT7	I/O	Real-time input pin that controls PCIEXCLK outputs that are selected through REQ_SEL. 0 = PCIEXT7, 1 = PECLKQ1#. / True clock of differential PCI Express output.
42	VDDPCIEX	PWR	Power supply for PCI Express clocks, nominal 3.3V
43	CPUCLKC2_ITP/PCIEXC8	OUT	Complementary clock of CPU_ITP/PCIEX differential pair CPU_ITP/PCIEX output. These are current mode outputs. External resistors are required for voltage bias. Selected by ITP_EN input.
44	CPUCLKT2_ITP/PCIEXT8	OUT	True clock of differential pair CPU outputs. These are current mode outputs. External resistors are required for voltage bias. / True clock of differential PCIEX pair
45	VDDA	PWR	3.3V power for the PLL core.
46	GNDA	PWR	Ground pin for the PLL core.
47	IREF	OUT	This pin establishes the reference current for the differential current-mode output pairs. This pin requires a fixed precision resistor tied to ground in order to establish the appropriate current. 475 ohms is the standard value.
48	CPUCLKC1	OUT	Complementary clock of differential pair CPU outputs. These are current mode outputs. External resistors are required for voltage bias.
49	CPUCLKT1	OUT	True clock of differential pair CPU outputs. These are current mode outputs. External resistors are required for voltage bias.
50	VDDCPU	PWR	Supply for CPU clocks, 3.3V nominal
51	CPUCLKC0	OUT	Complementary clock of differential pair CPU outputs. These are current mode outputs. External resistors are required for voltage bias.
52	CPUCLKT0	OUT	True clock of differential pair CPU outputs. These are current mode outputs. External resistors are required for voltage bias.
53	GND	PWR	Ground pin.
54	SCLK	IN	Clock pin of SMBus circuitry, 5V tolerant.
55	SDATA	I/O	Data pin for SMBus circuitry, 5V tolerant.
56	VDDREF	PWR	Ref, XTAL power supply, nominal 3.3V
57	X2	OUT	Crystal output, Nominally 14.318MHz
58	X1	IN	Crystal input, Nominally 14.318MHz.
59	GND	PWR	Ground pin.
60	REF0	OUT	14.318 MHz reference clock.
61	REF1/FSLC/TEST_SEL	I/O	14.318 MHz reference clock./ 3.3V tolerant input for CPU frequency selection. Refer to input electrical characteristics for Vil_FS and Vih_FS values. /TEST_Sel: 3-level latched input to enable test mode. Refer to Test Clarification Table
62	CPU_STOP#	IN	Stops all CPUCLK, except those set to be free running clocks
63	PCI/PCIEX_STOP#	IN	Stops all PCICLKs and PCIEXCLKs besides the free-running clocks at logic 0 level, when input low
64	PCICLK2/REQ_SEL**	I/O	3.3V PCI clock output / Latch select input pin. 0 = PCIEXCLK, 1 = PEREQ#

## General Description

**ICS954310** follows the Intel CK410M-compliant clock specification. This clock synthesizer provides a single chip solution for next generation P4 Intel processors and Intel chipsets. **ICS954310** is driven with a 14.318MHz crystal.

## Block Diagram



## Power Supply

PIN NUMBER		Description
VDD	GND	
1,7	2,6	PCICLK outputs
11	13	48MHz,96Mhz, LCDCLK, Fix Digital, Fix Analog
45	46	Master clock, CPU Analog
21, 28, 42	29, 37	PCIEXT/C outputs
50	53	CPUT/C output
56	59	Xtal, REF

## General I<sup>2</sup>C serial interface information for the ICS954310

### How to Write:

- Controller (host) sends a start bit.
- Controller (host) sends the write address D2<sub>(H)</sub>
- ICS clock will **acknowledge**
- Controller (host) sends the beginning byte location = N
- ICS clock will **acknowledge**
- Controller (host) sends the data byte count = X
- ICS clock will **acknowledge**
- Controller (host) starts sending **Byte N through Byte N + X - 1**  
(see Note 2)
- ICS clock will **acknowledge** each byte **one at a time**
- Controller (host) sends a Stop bit

### How to Read:

- Controller (host) will send start bit.
- Controller (host) sends the write address D2<sub>(H)</sub>
- ICS clock will **acknowledge**
- Controller (host) sends the beginning byte location = N
- ICS clock will **acknowledge**
- Controller (host) will send a separate start bit.
- Controller (host) sends the read address D3<sub>(H)</sub>
- ICS clock will **acknowledge**
- ICS clock will send the data byte count = X
- ICS clock sends **Byte N + X - 1**
- ICS clock sends **Byte 0 through byte X (if X<sub>(H)</sub> was written to byte 8).**
- Controller (host) will need to acknowledge each byte
- Controller (host) will send a not acknowledge bit
- Controller (host) will send a stop bit

Index Block Write Operation		
Controller (Host)		ICS (Slave/Receiver)
T	starT bit	
Slave Address D2 <sub>(H)</sub>		
WR	WRite	
		ACK
Beginning Byte = N		
		ACK
Data Byte Count = X		
		ACK
Beginning Byte N		X Byte
○		
○		
○		
○		
Byte N + X - 1		
		ACK
P	stoP bit	

Index Block Read Operation			
Controller (Host)		ICS (Slave/Receiver)	
T	starT bit		
Slave Address D2 <sub>(H)</sub>			
WR	WRite		
		ACK	
Beginning Byte = N			
		ACK	
RT	Repeat starT		
Slave Address D3 <sub>(H)</sub>			
RD	ReaD		
		ACK	
		Data Byte Count = X	
ACK			
ACK		X Byte	
			Beginning Byte N
○			
○			
○			
○			
		Byte N + X - 1	
N	Not acknowledge		
P	stoP bit		

**Table 1: CPU/PCIEX Frequency Selection Table**

FS4	FS3	FS <sub>L</sub> C	FS <sub>L</sub> B	FS <sub>L</sub> A	CPU MHz	PCI MHz	PCIEX MHz	Spread %
0	0	0	0	0	266.66	33.33	100.00	0.5% Down
0	0	0	0	1	133.33	33.33	100.00	0.5% Down
0	0	0	1	0	200.00	33.33	100.00	0.5% Down
0	0	0	1	1	166.66	33.33	100.00	0.5% Down
0	0	1	0	0	333.33	33.33	100.00	0.5% Down
0	0	1	0	1	100.00	33.33	100.00	0.5% Down
0	0	1	1	0	400.00	33.33	100.00	0.5% Down
0	0	1	1	1	200.00	33.33	100.00	0.5% Down
0	1	0	0	0	266.66	33.33	100.00	+/- 0.25 Center
0	1	0	0	1	133.33	33.33	100.00	+/- 0.25 Center
0	1	0	1	0	200.00	33.33	100.00	+/- 0.25 Center
0	1	0	1	1	166.66	33.33	100.00	+/- 0.25 Center
0	1	1	0	0	333.33	33.33	100.00	+/- 0.25 Center
0	1	1	0	1	100.00	33.33	100.00	+/- 0.25 Center
0	1	1	1	0	400.00	33.33	100.00	+/- 0.25 Center
0	1	1	1	1	200.00	33.33	100.00	+/- 0.25 Center
1	0	0	0	0	261.33	32.66	98	+/- 0.25 Center
1	0	0	0	1	130.66	32.66	98	+/- 0.25 Center
1	0	0	1	0	196.00	32.66	98	+/- 0.25 Center
1	0	0	1	1	163.33	32.66	98	+/- 0.25 Center
1	0	1	0	0	253.33	31.66	95	+/- 0.25 Center
1	0	1	0	1	126.66	31.66	95	+/- 0.25 Center
1	0	1	1	0	190.00	31.66	95	+/- 0.25 Center
1	0	1	1	1	158.33	31.66	95	+/- 0.25 Center
1	1	0	0	0	247.99	31.00	93	+/- 0.25 Center
1	1	0	0	1	124.00	31.00	93	+/- 0.25 Center
1	1	0	1	0	186.00	31.00	93	+/- 0.25 Center
1	1	0	1	1	154.99	31.00	93	+/- 0.25 Center
1	1	1	0	0	239.99	30.00	90	+/- 0.25 Center
1	1	1	0	1	120.00	30.00	90	+/- 0.25 Center
1	1	1	1	0	180.00	30.00	90	+/- 0.25 Center
1	1	1	1	1	149.99	30.00	90	+/- 0.25 Center

**Table2: LCDCLK Spread and Frequency Selection Table**

SELLCD (27#)	Byte 9b7 SS3	Byte9b6 SS2	Byte 9b5 SS1	Byte 9b4 SS0	Pin 17/18	Spread	
					MHz	%	
0	0	0	0	0	27.00	+/-0.25	Center
0	0	0	0	1	27.00	+/-0.50	Center
0	0	0	1	0	27.00	+/-0.75	Center
0	0	0	1	1	27.00	+/-1.0	Center
0	0	1	0	0	27.00	+/-1.25	Center
0	0	1	0	1	27.00	+/-1.5	Center
0	0	1	1	0	27.00	+/-1.75	Center
0	0	1	1	1	27.00	+/-2	Center
0	1	0	0	0	27.00	-0.5	Down
0	1	0	0	1	27.00	-1	Down
0	1	0	1	0	27.00	-1.25	Down
0	1	0	1	1	27.00	-1.5	Down
0	1	1	0	0	27.00	-1.75	Down
0	1	1	0	1	27.00	-2	Down
0	1	1	1	0	27.00	-2.5	Down
0	1	1	1	1	27.00	-3	Down
1	0	0	0	0	96.00	+/-1.5	Center
1	0	0	0	1	96.00	+/-1.25	Center
1	0	0	1	0	96.00	+/-1.0	Center
1	0	0	1	1	96.00	+/-0.8	Center
1	0	1	0	0	96.00	+/-0.6	Center
1	0	1	0	1	96.00	+/-0.5	Center
1	0	1	1	0	96.00	+/-0.4	Center
1	0	1	1	1	96.00	+/-0.3	Center
1	1	0	0	0	96.00	3	Down
1	1	0	0	1	96.00	2.5	Down
1	1	0	1	0	96.00	2	Down
1	1	0	1	1	96.00	1.75	Down
1	1	1	0	0	96.00	1.5	Down
1	1	1	0	1	96.00	1.25	Down
1	1	1	1	0	96.00	1	Down
1	1	1	1	1	96.00	0.8	Down

**Table3: SATA Spread and Frequency Selection Table**

SEL_SATA	Byte 16b3 SS3	Byte16b2 SS2	Pin 27/26	Spread	
			MHz	%	
1	0	0	100.00	-0.2	Down
1	0	1	100.00	-0.3	Down
1	1	0	100.00	-0.4	Down
1	1	1	100.00	-0.5	Down

**I2C Table: Output Control Register**

Byte 0	Name	Control Function	Type	0	1	PWD
Bit 7	CPUCLK2_JTP/PCIE X8 Enable	Output Enable	RW	Disable (HiZ)	Enable	1
Bit 6	PCIEX7 Enable	Output Enable	RW	Disable (HiZ)	Enable	1
Bit 5	PCIEX5 Enable	Output Enable	RW	Disable (HiZ)	Enable	1
Bit 4	PCIEX4 Enable	Output Enable	RW	Disable (HiZ)	Enable	1
Bit 3	PCIEX3 Enable	Output Enable	RW	Disable (HiZ)	Enable	1
Bit 2	PCIEX2 Enable	Output Enable	RW	Disable (HiZ)	Enable	1
Bit 1	PCIEX1 Enable	Output Enable	RW	Disable (HiZ)	Enable	1
Bit 0	LCD/PCIEX0 Enable	Output Enable	RW	Disable (HiZ)	Enable	1

**I2C Table: Output Control Register**

Byte 1	Name	Control Function	Type	0	1	PWD
Bit 7	PCICLK_4	Output Enable	RW	Disable	Enable	1
Bit 6	DOT_96MHz Enable	Output Enable	RW	Disable (HiZ)	Enable	1
Bit 5	USB_48MHz Enable	Output Enable	RW	Disable	Enable	1
Bit 4	REF1 Enable	Output Enable	RW	Disable	Enable	1
Bit 3	PCIEX6 Enable	Output Enable	RW	Disable	Enable	1
Bit 2	CPUCLK_1 Enable	Output Enable	RW	Disable (HiZ)	Enable	1
Bit 1	CPUCLK_0 Enable	Output Enable	RW	Disable (HiZ)	Enable	1
Bit 0	Spread Spectrum Mode	Spread Control for PLL1	RW	SPREAD OFF	SPREAD ON	1

**I2C Table: Output Control Register**

Byte 2	Name	Control Function	Type	0	1	PWD
Bit 7	PCICLK3	Output Enable	RW	Disable	Enable	1
Bit 6	PCICLK2	Output Enable	RW	Disable	Enable	1
Bit 5	PCICLK_F1	Output Enable	RW	Disable	Enable	1
Bit 4	PCICLK_F0	Output Enable	RW	Disable	Enable	1
Bit 3	PCICLK5	Output Enable	RW	Disable	Enable	1
Bit 2	27MHz (Fixed)	Output Enable	RW	Disable	Enable	1
Bit 1	27MHz (SS)	Output Enable	RW	Disable	Enable	1
Bit 0	SATACLK	Output Enable	RW	Disable (HiZ)	Enable	1



**I2C Table: Output Control Register**

Byte 3	Name	Control Function	Type	0	1	PWD
Bit 7	PCIEX6	Allow assertion of PCI_STOP# or setting of PCI_STOP control bit in I2C register to stop PCIEX clocks.	RW	Free-Running	Stoppable	0
Bit 6	PCIEX5		RW	Free-Running	Stoppable	0
Bit 5	PCIEX4		RW	Free-Running	Stoppable	0
Bit 4	SATACLK		RW	Free-Running	Stoppable	0
Bit 3	PCIEX3		RW	Free-Running	Stoppable	0
Bit 2	PCIEX2		RW	Free-Running	Stoppable	0
Bit 1	PCIEX1		RW	Free-Running	Stoppable	0
Bit 0	PCIEX0		RW	Free-Running	Stoppable	0

**I2C Table: Output Control Register**

Byte 4	Name	Control Function	Type	0	1	PWD
Bit 7	PCIEX7	Free-Running Control	RW	Free-Running	Stoppable	0
Bit 6	DOT_96MHz	Driven in PD	RW	Driven	Hi-Z	0
Bit 5	PCIEX8	Free-Running Control	RW	Free-Running	Stoppable	0
Bit 4	PCICLK_F1	Allow assertion of PCI_STOP# or setting of PCI_STOP control bit in SMBus register to stop PCI	RW	Free-Running	Stoppable	0
Bit 3	PCICLK_F0		RW	Free-Running	Stoppable	0
Bit 2	CPUCLK_2/ITP	Allow assertion of CPU_STOP# to stop CPU clocks.	RW	Free-Running	Stoppable	1
Bit 1	CPUCLK_1		RW	Free-Running	Stoppable	1
Bit 0	CPUCLK_0		RW	Free-Running	Stoppable	1

**I2C Table: Output Control Register**

Byte 5	Name	Control Function	Type	0	1	PWD
Bit 7	PCIEX(8:0)/SATACLK PCI/PCIEX_STOP#	Driven in PCI/PCIEX_STOP#	RW	Driven	Hi-Z	0
Bit 6	CPUCLK2_ITP CPU_STOP# Drive	Driven in CPU_STOP#	RW	Driven	Hi-Z	0
Bit 5	CPUCLK_1 CPU_STOP# Drive	Driven in CPU_STOP#	RW	Driven	Hi-Z	0
Bit 4	CPUCLK_0 CPU_STOP# Drive	Driven in CPU_STOP#	RW	Driven	Hi-Z	0
Bit 3	PCIEX(8:0)/SATACLK, 96MHz_SS	Driven in PD	RW	Driven	Hi-Z	0
Bit 2	CPUCLK2_ITP PD Drive Mode	Driven in PD	RW	Driven	Hi-Z	0
Bit 1	CPUCLK_1 PD Drive Mode	Driven in PD	RW	Driven	Hi-Z	0
Bit 0	CPUCLK_0 PD Drive Mode	Driven in PD	RW	Driven	Hi-Z	0

**I2C Table: Frequency Select Register**

Byte 6	Name	Control Function	Type	0	1	PWD
Bit 7	PWRSAVE	PWR_SAVE programming	RW	IIC	PWR_SAVE programming	0
Bit 6	FS4	Frequency Select bit	RW	See Table 1: Frequency Selection Table		0
Bit 5	FS3	Frequency Select bit	RW			0
Bit 4	REF0 STRENGTH	Strength Prog	RW	1X	2X	0
Bit 3	PCI/SRC_STOP#	Stop all PCI and SRC clocks	RW	Outputs Stopped	Outputs Active	1
Bit 2	FSL_C	Frequency Select bit	RW	See Table 1: Frequency Selection Table		latch
Bit 1	FSL_B	Frequency Select bit	RW			latch
Bit 0	FSL_A	Frequency Select bit	RW			latch

**I2C Table: Revision and Vendor ID Register**

Byte 7	Name	Control Function	Type	0	1	PWD
Bit 7	RID3	Revision ID	R	-	-	0
Bit 6	RID2		R	-	-	0
Bit 5	RID1		R	-	-	1
Bit 4	RID0		R	-	-	0
Bit 3	VID3	VENDOR ID	R	-	-	0
Bit 2	VID2		R	-	-	0
Bit 1	VID1		R	001 = ICS	-	0
Bit 0	VID0		R	-	-	1

**I2C Table: PEREQ Control Register**

Byte 8	Name	Control Function	Type	0	1	PWD
Bit 7	PEREQ2# Control	PCIEX8 is controlled	RW	Not Controlled	Controlled	0
Bit 6	PEREQ2# Control	PCIEX1 is controlled	RW	Not Controlled	Controlled	0
Bit 5	Reserved	Reserved	RW	-	-	1
Bit 4	Reserved	Reserved	RW	-	-	1
Bit 3	Reserved	Reserved	RW	-	-	1
Bit 2	Reserved	Reserved	RW	-	-	1
Bit 1	PEREQ1# Control	PCIEX6 is controlled	RW	Not Controlled	Controlled	0
Bit 0	PEREQ1# Control	PCIEX0 is controlled	RW	Not Controlled	Controlled	0

**I2C Table: LCDCLK and M/N Control Register**

Byte 9	Name	Control Function	Type	0	1	PWD
Bit 7	LCDCLK_SS3	Bit S3	RW	See LCDCLK_SS Frequency Select Table 2		0
Bit 6	LCDCLK_SS2	Bit S2	RW			1
Bit 5	LCDCLK_SS1	Bit S1	RW			1
Bit 4	LCDCLK_SS0	Bit S0	RW			1
Bit 3	*SEL_SRC_LCDCLK#	Selects SRC or LCD/27MHz on pins 17	R	LCDCLK	PCIEX0	latch
Bit 2	REF 0	Output Enable	RW	Disable	Enable	1
Bit 1	LCDCLK_SS Spread Enable	Enable SS	RW	OFF	ON	1
Bit 0	M/N Enable	PLL M/N Programming Enable	RW	Disable	Enable	0

**I2C Table: Byte Count Register**

Byte 10	Name	Control Function	Type	0	1	PWD
Bit 7	Reserved	Reserved	RW	-	-	X
Bit 6	Reserved	Reserved	RW	-	-	X
Bit 5	Reserved	Reserved	RW	-	-	X
Bit 4	BC4	Byte Count Programming b(7:0)	RW	Writing to this register will configure how many bytes will be read back, default is 15 = 21 Bytes.		1
Bit 3	BC3		RW			0
Bit 2	BC2		RW			1
Bit 1	BC1		RW			0
Bit 0	BC0		RW			1

**I<sup>2</sup>C Table: PLL1 Frequency Control Register**

Byte 11	Name	Control Function	Type	0	1	PWD
Bit 7	N Div8	N Divider Prog bit 8	RW	The decimal representation of M and N Divier in Byte 11 and 12 will configure the VCO frequency. Default at power up = latch-in or Byte 0 Rom table. VCO Frequency = 14.318 x [NDiv(9:0)+8] / [MDiv(5:0)+2]		X
Bit 6	N Div 9	N Divider Prog bit 9	RW			X
Bit 5	M Div5	M Divider Programming bits	RW			X
Bit 4	M Div4		RW			X
Bit 3	M Div3		RW			X
Bit 2	M Div2		RW			X
Bit 1	M Div1		RW			X
Bit 0	M Div0		RW			X

**I<sup>2</sup>C Table: PLL1 Frequency Control Register**

Byte 12	Name	Control Function	Type	0	1	PWD
Bit 7	N Div7	N Divider Programming b(8:0)	RW	The decimal representation of M and N Divier in Byte 11 and 12 will configure the VCO frequency. Default at power up = latch-in or Byte 0 Rom table. VCO Frequency = $14.318 \times [\text{NDiv}(9:0)+8] / [\text{MDiv}(5:0)+2]$		X
Bit 6	N Div6		RW			X
Bit 5	N Div5		RW			X
Bit 4	N Div4		RW			X
Bit 3	N Div3		RW			X
Bit 2	N Div2		RW			X
Bit 1	N Div1		RW			X
Bit 0	N Div0		RW			X

**I<sup>2</sup>C Table: PLL1 Spread Spectrum Control Register**

Byte 13	Name	Control Function	Type	0	1	PWD
Bit 7	SSP7	Spread Spectrum Programming bit(7:0)	RW	These Spread Spectrum bits in Byte 13 and 14 will program the spread percentage of PLL1		X
Bit 6	SSP6		RW			X
Bit 5	SSP5		RW			X
Bit 4	SSP4		RW			X
Bit 3	SSP3		RW			X
Bit 2	SSP2		RW			X
Bit 1	SSP1		RW			X
Bit 0	SSP0		RW			X

**I<sup>2</sup>C Table: PLL1 Spread Spectrum Control Register**

Byte 14	Name	Control Function	Type	0	1	PWD
Bit 7	Reserved	Reserved	R	-	-	0
Bit 6	SSP14	Spread Spectrum Programming bit(14:8)	RW	These Spread Spectrum bits in Byte 13 and 14 will program the spread percentage of PLL1		X
Bit 5	SSP13		RW			X
Bit 4	SSP12		RW			X
Bit 3	SSP11		RW			X
Bit 2	SSP10		RW			X
Bit 1	SSP9		RW			X
Bit 0	SSP8		RW			X

**I2C Table: PEREQ Control Register**

Byte 15	Name	Control Function	Type	0	1	PWD
Bit 7	PEREQ4# Control	PCIEX7 is controlled	RW	Not Controlled	Controlled	0
Bit 6	PEREQ4# Control	PCIEX5 is controlled	RW	Not Controlled	Controlled	0
Bit 5	PEREQ4# Control	PCIEX3 is controlled	RW	Not Controlled	Controlled	0
Bit 4	Reserved	Reserved	RW	-	-	0
Bit 3	Reserved	Reserved	RW	-	-	0
Bit 2	Reserved	Reserved	RW	-	-	0
Bit 1	PEREQ3# Control	PCIEX4 is controlled	RW	Not Controlled	Controlled	0
Bit 0	PEREQ3# Control	PCIEX2 is controlled	RW	Not Controlled	Controlled	0

**I2C Table: SATACLK Control Register**

Byte 16	Name	Control Function	Type	0	1	PWD
Bit 7	SEL_SATA	SATACLK Spread Control	RW	PCIEX PLL	SATA PLL	1
Bit 6	SEL_LCD(27#)	Select LCD or 27MHz for pins 17 and 18	RW	27MHz	LCDCCLK	latch
Bit 5	PCIEX source	PCIEX comes from	RW	PCIEX PLL	SATA PLL	0
Bit 4	SATA SS ENABLE	SPREAD ENABLE SATA PLL	RW	OFF	ON	1
Bit 3	SATA_SS1	Bit S1	RW	See SATA_SS Frequency Select Table 3		1
Bit 2	SATA_SS0	Bit S0	RW			1
Bit 1	PCI source	PCI comes from	RW	PCIEX PLL	SATA PLL	0
Bit 0	Reserved	Reserved	RW	-	-	1

**I<sup>2</sup>C Table: PLL2 Frequency Control Register**

Byte 17	Name	Control Function	Type	0	1	PWD
Bit 7	N Div8	N Divider Prog bit 8	RW	The decimal representation of M and N Divider in Byte 17 and 18 will configure the VCO frequency. Default at power up = Byte 0 Rom table. VCO Frequency = 14.318 x [NDiv(9:0)+8] / [MDiv(5:0)+2]		X
Bit 6	N Div9	N Divider Prog bit 9	RW			X
Bit 5	M Div5	M Divider Programming bits	RW			X
Bit 4	M Div4		RW			X
Bit 3	M Div3		RW			X
Bit 2	M Div2		RW			X
Bit 1	M Div1		RW			X
Bit 0	M Div0		RW			X

**I<sup>2</sup>C Table: PLL2 Frequency Control Register**

Byte 18	Name	Control Function	Type	0	1	PWD
Bit 7	N Div7	N Divider Programming b(8:0)	R	The decimal representation of M and N Divider in Byte 17 and 18 will configure the VCO frequency. Default at power up = Byte 0 Rom table. VCO Frequency = 14.318 x [NDiv(9:0)+8] / [MDiv(5:0)+2]		X
Bit 6	N Div6		RW			X
Bit 5	N Div5		RW			X
Bit 4	N Div4		RW			X
Bit 3	N Div3		RW			X
Bit 2	N Div2		RW			X
Bit 1	N Div1		RW			X
Bit 0	N Div0		RW			X

**I<sup>2</sup>C Table: PLL 2 Spread Spectrum Control Register**

Byte 19	Name	Control Function	Type	0	1	PWD
Bit 7	SSP7	Spread Spectrum Programming b(7:0)	RW	These Spread Spectrum bits in Byte 19 and 20 will program the spread percentage. It is recommended to use ICS Spread % table for spread programming.		X
Bit 6	SSP6		RW			X
Bit 5	SSP5		RW			X
Bit 4	SSP4		RW			X
Bit 3	SSP3		RW			X
Bit 2	SSP2		RW			X
Bit 1	SSP1		RW			X
Bit 0	SSP0		RW			X

**I<sup>2</sup>C Table: PLL 2 Spread Spectrum Control Register**

Byte 20	Name	Control Function	Type	0	1	PWD
Bit 7	Reserved	Reserved	RW	These Spread Spectrum bits in Byte 19 and 20 will program the spread percentage. It is recommended to use ICS Spread % table for spread programming.		0
Bit 6	SSP14	Spread Spectrum Programming b(14:8)	RW			X
Bit 5	SSP13		RW			X
Bit 4	SSP12		RW			X
Bit 3	SSP11		RW			X
Bit 2	SSP10		RW			X
Bit 1	SSP9		RW			X
Bit 0	SSP8		RW			X

## Absolute Maximum Rating

PARAMETER	SYMBOL	CONDITIONS	MIN	TYP	MAX	UNITS	Notes
3.3V Core Supply Voltage	VDD_A	-			V <sub>DD</sub> + 0.5V	V	1
3.3V Logic Input Supply Voltage	VDD_In	-	GND - 0.5		V <sub>DD</sub> + 0.5V	V	1
Storage Temperature	T <sub>s</sub>	-	-65		150	°C	1
Ambient Operating Temp	T <sub>ambient</sub>	-	0		70	°C	1
Case Temperature	T <sub>case</sub>	-			115	°C	1
Input ESD protection HBM	ESD prot	-	2000			V	1

<sup>1</sup>Guaranteed by design and characterization, not 100% tested in production.

## Electrical Characteristics - Input/Supply/Common Output Parameters

PARAMETER	SYMBOL	CONDITIONS*	MIN	TYP	MAX	UNITS	Notes
Input High Voltage	V <sub>IH</sub>	3.3 V +/-5%	2		V <sub>DD</sub> + 0.3	V	1
Input Low Voltage	V <sub>IL</sub>	3.3 V +/-5%	V <sub>SS</sub> - 0.3		0.8	V	1
Input High Current	I <sub>IH</sub>	V <sub>IN</sub> = V <sub>DD</sub>	-5		5	uA	1
Input Low Current	I <sub>IL1</sub>	V <sub>IN</sub> = 0 V; Inputs with no pull-up resistors	-5			uA	1
	I <sub>IL2</sub>	V <sub>IN</sub> = 0 V; Inputs with pull-up resistors	-200			uA	1
Low Threshold Input-High Voltage	V <sub>IH_FS</sub>	3.3 V +/-5%	0.7		V <sub>DD</sub> + 0.3	V	1
Low Threshold Input-Low Voltage	V <sub>IL_FS</sub>	3.3 V +/-5%	V <sub>SS</sub> - 0.3		0.35	V	1
Operating Supply Current	I <sub>DD3.3OP</sub>	Full Active, C <sub>L</sub> = Full load;			350	mA	1
Operating Current	I <sub>DD3.3OP</sub>	all outputs driven			400	mA	1
		all diff pairs driven			70	mA	1
Powerdown Current	I <sub>DD3.3PD</sub>	all differential pairs tri-stated			12	mA	1
Input Frequency	F <sub>i</sub>	V <sub>DD</sub> = 3.3 V		14.31818		MHz	2
Pin Inductance	L <sub>pin</sub>				7	nH	1
Input Capacitance	C <sub>IN</sub>	Logic Inputs			5	pF	1
	C <sub>OUT</sub>	Output pin capacitance			6	pF	1
	C <sub>INX</sub>	X1 & X2 pins			5	pF	1
Clk Stabilization	T <sub>STAB</sub>	From VDD Power-Up or de-assertion of PD to 1st clock			1.8	ms	1
Modulation Frequency		Triangular Modulation	30		33	kHz	1
Tdrive_PD		CPU output enable after PD de-assertion			300	us	1
Tfall_PD		PD fall time of			5	ns	1
Trise_PD		PD rise time of			5	ns	1
SMBus Voltage	V <sub>DD</sub>		2.7		5.5	V	1
Low-level Output Voltage	V <sub>OL</sub>	@ I <sub>PULLUP</sub>			0.4	V	1
Current sinking at V <sub>OL</sub> = 0.4 V	I <sub>PULLUP</sub>		4			mA	1
SCLK/SDATA Clock/Data Rise Time	T <sub>R12C</sub>	(Max VIL - 0.15) to (Min VIH + 0.15)			1000	ns	1
SCLK/SDATA Clock/Data Fall Time	T <sub>F12C</sub>	(Min VIH + 0.15) to (Max VIL - 0.15)			300	ns	1

\*TA = 0 - 70°C; Supply Voltage VDD = 3.3 V +/-5%

<sup>1</sup>Guaranteed by design and characterization, not 100% tested in production.

<sup>2</sup> Input frequency should be measured at the REF pin and tuned to ideal 14.31818MHz to meet ppm frequency accuracy on PLL outputs.

### Electrical Characteristics - CPU 0.7V Current Mode Differential Pair

PARAMETER	SYMBOL	CONDITIONS*	MIN	TYP	MAX	UNITS	NOTES
Current Source Output Impedance	Zo	$V_O = V_x$	3000			$\Omega$	1
Voltage High	VHigh	Statistical measurement on single ended signal	660		850	mV	1,3
Voltage Low	VLow		-150		150	mV	1,3
Max Voltage	Vovs	Measurement on single ended signal using absolute value.			1150	mV	1
Min Voltage	Vuds		-300			mV	1
Crossing Voltage (abs)	Vx(abs)		250		550	mV	1
Crossing Voltage (var)	d-Vx	Variation of crossing over all edges			140	mV	1
Long Accuracy	ppm	see Tperiod min-max values	-300		300	ppm	1,2
Average period	Tperiod	400MHz nominal	2.4993		2.5008	ns	2
		400MHz spread	2.4993		2.5133	ns	2
		333.33MHz nominal	2.9991		3.0009	ns	2
		333.33MHz spread	2.9991		3.016	ns	2
		266.66MHz nominal	3.7489		3.7511	ns	2
		266.66MHz spread	3.7489		3.77	ns	2
		200MHz nominal	4.9985		5.0015	ns	2
		200MHz spread	4.9985		5.0266	ns	2
		166.66MHz nominal	5.9982		6.0018	ns	2
		166.66MHz spread	5.9982		6.0320	ns	2
		133.33MHz nominal	7.4978		7.5023	ns	2
		133.33MHz spread	7.4978		7.5400	ns	2
		100.00MHz nominal	9.9970		10.0030	ns	2
		100.00MHz spread	9.9970		10.0533	ns	2
Absolute min period	T <sub>absmin</sub>	400MHz nominal/spread	2.4143			ns	1,2
		333.33MHz nominal/spread	2.9141			ns	1,2
		266.66MHz nominal/spread	3.6639			ns	1,2
		200MHz nominal/spread	4.8735			ns	1,2
		166.66MHz nominal/spread	5.8732			ns	1,2
		133.33MHz nominal/spread	7.3728			ns	1,2
		100.00MHz nominal/spread	9.8720			ns	1,2
Rise Time	t <sub>r</sub>	$V_{OL} = 0.175V, V_{OH} = 0.525V$	175		700	ps	1
Fall Time	t <sub>f</sub>	$V_{OH} = 0.525V, V_{OL} = 0.175V$	175		700	ps	1
Rise Time Variation	d-t <sub>r</sub>	$V_{OL} = 0.175V, V_{OH} = 0.525V$			125	ps	1
Fall Time Variation	d-t <sub>f</sub>	$V_{OH} = 0.525V, V_{OL} = 0.175V$			125	ps	1
Duty Cycle	d <sub>i3</sub>	Measurement from differential waveform	45		55	%	1
Skew	t <sub>sk3</sub>	CPU(1:0), V <sub>T</sub> = 50%			100	ps	1
Skew	t <sub>sk4</sub>	CPU(1:0) to CPU2_ITP, V <sub>T</sub> = 50%			150	ps	1
Jitter, Cycle to cycle	t <sub>jcy-cyc</sub>	Measurement from differential waveform (CPU2_ITP)			125	ps	1
Jitter, Cycle to cycle	t <sub>jcy-cyc</sub>	Measurement from differential waveform, (CPU(1:0))			85	ps	1

\*T<sub>A</sub> = 0 - 70°C; V<sub>DD</sub> = 3.3 V +/-5%; C<sub>L</sub> = 2pF, R<sub>S</sub> = 33.2 $\Omega$ , R<sub>P</sub> = 49.9 $\Omega$ , I<sub>REF</sub> = 475 $\Omega$

<sup>1</sup>Guaranteed by design and characterization, not 100% tested in production.

<sup>2</sup>All Long Term Accuracy and Clock Period specifications are guaranteed assuming that REFOUT is at 14.31818MHz

<sup>3</sup>I<sub>REF</sub> = V<sub>DD</sub>/(3xR<sub>R</sub>). For R<sub>R</sub> = 475 $\Omega$  (1%), I<sub>REF</sub> = 2.32mA. I<sub>OH</sub> = 6 x I<sub>REF</sub> and V<sub>OH</sub> = 0.7V @ Z<sub>O</sub> = 50 $\Omega$ .



### Electrical Characteristics - SRC/SATA/PCIEX 0.7V Current Mode Differential Pair

PARAMETER	SYMBOL	CONDITIONS*	MIN	TYP	MAX	UNITS	Notes
Current Source Output Impedance	Zo	$V_O = V_x$	3000			$\Omega$	1
Voltage High	VHigh	Statistical measurement on single ended signal	660		850	mV	1,3
Voltage Low	VLow		-150		150	mV	1,3
Max Voltage	Vovs	Measurement on single ended signal using absolute value.			1150	mV	1
Min Voltage	Vuds		-300			mV	1
Crossing Voltage (abs)	Vx(abs)		250		550	mV	1
Crossing Voltage (var)	d-Vx	Variation of crossing over all edges			140	mV	1
Long Accuracy	ppm	see Tperiod min-max values	-300		300	ppm	1,2
Average period	Tperiod	100.00MHz nominal	9.9970		10.0030	ns	2
		100.00MHz spread	9.9970		10.0533	ns	2
Absolute min period	Tabsmín	100.00MHz nominal/spread	9.8720			ns	1,2
Rise Time	t <sub>r</sub>	$V_{OL} = 0.175V, V_{OH} = 0.525V$	175		700	ps	1
Fall Time	t <sub>f</sub>	$V_{OH} = 0.525V, V_{OL} = 0.175V$	175		700	ps	1
Rise Time Variation	d-t <sub>r</sub>	$V_{OL} = 0.175V, V_{OH} = 0.525V$			125	ps	1
Fall Time Variation	d-t <sub>f</sub>	$V_{OH} = 0.525V, V_{OL} = 0.175V$			125	ps	1
Duty Cycle	d <sub>3</sub>	Measurement from differential waveform	45		55	%	1
Skew	t <sub>sk3</sub>	$V_T = 50\%$			250	ps	1
Jitter, Cycle to cycle	t <sub>jycyc-cyc</sub>	Measurement from differential waveform			125	ps	1

\*T<sub>A</sub> = 0 - 70°C; V<sub>DD</sub> = 3.3 V +/-5%; C<sub>L</sub> = 2pF, R<sub>S</sub> = 33.2Ω, R<sub>P</sub> = 49.9Ω, I<sub>REF</sub> = 475μA

<sup>1</sup>Guaranteed by design and characterization, not 100% tested in production.

<sup>2</sup>All Long Term Accuracy and Clock Period specifications are guaranteed assuming that REFOUT is at 14.31818MHz

<sup>3</sup>I<sub>REF</sub> = V<sub>DD</sub>/(3xR<sub>R</sub>). For R<sub>R</sub> = 475Ω (1%), I<sub>REF</sub> = 2.32mA. I<sub>OH</sub> = 6 x I<sub>REF</sub> and V<sub>OH</sub> = 0.7V @ Z<sub>O</sub> = 50Ω.

### Electrical Characteristics - PCICLK/PCICLK\_F

PARAMETER	SYMBOL	CONDITIONS*	MIN	TYP	MAX	UNITS	NOTES
Output Impedance	R <sub>DSP</sub>	$V_O = V_{DD}*(0.5)$	12		55	$\Omega$	1
Output High Voltage	V <sub>OH</sub>	I <sub>OH</sub> = -1 mA	2.4			V	1
Output Low Voltage	V <sub>OL</sub>	I <sub>OL</sub> = 1 mA			0.55	V	1
Output High Current	I <sub>OH</sub>	V <sub>OH</sub> @ MIN = 1.0 V	-33			mA	1
		V <sub>OH</sub> @ MAX = 3.135 V			-33	mA	1
Output Low Current	I <sub>OL</sub>	V <sub>OL</sub> @ MIN = 1.95 V	30			mA	1
		V <sub>OL</sub> @ MAX = 0.4 V			38	mA	1
Edge Rate	t <sub>slewr/f</sub>	Rising/Falling edge rate	1		4	V/ns	1
Rise Time	t <sub>r</sub>	V <sub>OL</sub> = 0.4 V, V <sub>OH</sub> = 2.4 V	0.5		2	ns	1
Fall Time	t <sub>f</sub>	V <sub>OH</sub> = 2.4 V, V <sub>OL</sub> = 0.4 V	0.5		2	ns	1
Duty Cycle	d <sub>t1</sub>	V <sub>T</sub> = 1.5 V	45		55	%	1
Group Skew	t <sub>skew</sub>	V <sub>T</sub> = 1.5 V			250	ps	1
Jitter, Cycle to cycle	t <sub>jycyc-cyc</sub>	V <sub>T</sub> = 1.5 V			500	ps	1

\*T<sub>A</sub> = 0 - 70°C; Supply Voltage V<sub>DD</sub> = 3.3 V +/-5%, C<sub>L</sub> = 20 pF with R<sub>S</sub> = 7Ω (unless otherwise specified)

<sup>1</sup>Guaranteed by design and characterization, not 100% tested in production.

<sup>3</sup>Spread Spectrum is off

### Electrical Characteristics - 48MHz/USB48MHz/24\_48MHz

PARAMETER	SYMBOL	CONDITIONS*	MIN	TYP	MAX	UNITS	NOTES
Long Accuracy	ppm	see Tperiod min-max values	-100		100	ppm	1,2
Clock period	T <sub>period</sub>	48.00MHz output nominal	20.8313		20.8354	ns	2
Output Impedance	R <sub>DSP</sub>	V <sub>O</sub> = V <sub>DD</sub> *(0.5)	12		55	Ω	1
Output High Voltage	V <sub>OH</sub>	I <sub>OH</sub> = -1 mA	2.4			V	1
Output Low Voltage	V <sub>OL</sub>	I <sub>OL</sub> = 1 mA			0.55	V	1
Output High Current	I <sub>OH</sub>	V <sub>OH</sub> @ MIN = 1.0 V	-33			mA	1
		V <sub>OH</sub> @ MAX = 3.135 V			-33	mA	1
Output Low Current	I <sub>OL</sub>	V <sub>OL</sub> @ MIN = 1.95 V	30			mA	1
		V <sub>OL</sub> @ MAX = 0.4 V			38	mA	1
Edge Rate	t <sub>slewr/f</sub>	Rising/Falling edge rate	1		4	V/ns	1
Edge Rate	t <sub>slewr/f_USB</sub>	USB48 Rising/Falling edge rate	1		2	V/ns	1
Rise Time	t <sub>r</sub>	V <sub>OL</sub> = 0.4 V, V <sub>OH</sub> = 2.4 V	0.5		2	ns	1
Fall Time	t <sub>f</sub>	V <sub>OH</sub> = 2.4 V, V <sub>OL</sub> = 0.4 V	0.5		2	ns	1
Rise Time	t <sub>r_USB</sub>	V <sub>OL</sub> = 0.4 V, V <sub>OH</sub> = 2.4 V	1		2	ns	1
Fall Time	t <sub>f_USB</sub>	V <sub>OH</sub> = 2.4 V, V <sub>OL</sub> = 0.4 V	1		2	ns	1
Duty Cycle	d <sub>t1</sub>	V <sub>T</sub> = 1.5 V	45		55	%	1
Group Skew	t <sub>skew</sub>	V <sub>T</sub> = 1.5 V			250	ps	1
Jitter, Cycle to cycle	t <sub>jcy-cyc</sub>	V <sub>T</sub> = 1.5 V			500	ps	1

\*TA = 0 - 70°C; Supply Voltage VDD = 3.3 V +/-5%, CL = 20 pF with Rs = 7Ω (Rs is used in USB48MHz test only)

<sup>1</sup>Guaranteed by design and characterization, not 100% tested in production.

### Electrical Characteristics - DOT\_96MHz 0.7V Current Mode Differential Pair

PARAMETER	SYMBOL	CONDITIONS*	MIN	TYP	MAX	UNITS	Notes
Current Source Output Impedance	Z <sub>o</sub>	V <sub>O</sub> = V <sub>x</sub>	3000			Ω	1
Voltage High	VHigh	Statistical measurement on single ended signal	660		850	mV	1,3
Voltage Low	VLow		-150		150	mV	1,3
Max Voltage	V <sub>ovs</sub>	Measurement on single ended signal using absolute value.			1150	mV	1
Min Voltage	V <sub>uds</sub>		-300			mV	1
Crossing Voltage (abs)	V <sub>x(abs)</sub>		250		550	mV	1
Crossing Voltage (var)	d-V <sub>cross</sub>	Variation of crossing over all edges			140	mV	1
Long Accuracy	ppm	see Tperiod min-max values	-100		100	ppm	1,2
Average period	T <sub>period</sub>	96.00MHz nominal	10.4135		10.4198	ns	2
Absolute min period	T <sub>absmin</sub>	96.00MHz nominal	10.1635			ns	1,2
Rise Time	t <sub>r</sub>	V <sub>OL</sub> = 0.175V, V <sub>OH</sub> = 0.525V	175		700	ps	1
Fall Time	t <sub>f</sub>	V <sub>OH</sub> = 0.525V V <sub>OL</sub> = 0.175V	175		700	ps	1
Rise Time Variation	d-t <sub>r</sub>	V <sub>OL</sub> = 0.175V, V <sub>OH</sub> = 0.525V			125	ps	1
Fall Time Variation	d-t <sub>f</sub>	V <sub>OH</sub> = 0.525V V <sub>OL</sub> = 0.175V			125	ps	1
Duty Cycle	d <sub>i3</sub>	Measurement from differential waveform	45		55	%	1
Jitter, Cycle to cycle	t <sub>jcy-cyc</sub>	Measurement from differential waveform			250	ps	1

\*T<sub>A</sub> = 0 - 70°C; V<sub>DD</sub> = 3.3 V +/-5%; C<sub>L</sub> = 2pF, R<sub>S</sub> = 33.2Ω, R<sub>P</sub> = 49.9Ω, I<sub>REF</sub> = 475Ω

<sup>1</sup>Guaranteed by design and characterization, not 100% tested in production.

<sup>2</sup>All Long Term Accuracy and Clock Period specifications are guaranteed assuming that REFOUT is at 14.31818MHz

<sup>3</sup>I<sub>REF</sub> = V<sub>DD</sub>/(3xR<sub>R</sub>). For R<sub>R</sub> = 475Ω (1%), I<sub>REF</sub> = 2.32mA. I<sub>OH</sub> = 6 x I<sub>REF</sub> and V<sub>OH</sub> = 0.7V @ Z<sub>O</sub> = 50Ω.

### Electrical Characteristics - 27MHz

PARAMETER	SYMBOL	CONDITIONS	MIN	TYP	MAX	UNITS	Notes
Long Accuracy	ppm	see Tperiod min-max values	-50	0	50	ppm	1,2
			-15	0	15		1,2,3
Clock period	T <sub>period</sub>	27.000MHz output nominal	37.0365	37.0370	37.0376	ns	2
Output High Voltage	V <sub>OH</sub>	I <sub>OH</sub> = -1 mA	2.4	3.25		V	1
Output Low Voltage	V <sub>OL</sub>	I <sub>OL</sub> = 1 mA		0.05	0.55	V	1
Output High Current	I <sub>OH</sub>	V <sub>OH</sub> @ MIN = 1.0 V	-29	-73		mA	1
		V <sub>OH</sub> @ MAX = 3.135 V		-10	-23	mA	1
Output Low Current	I <sub>OL</sub>	V <sub>OL</sub> @ MIN = 1.95 V	29	72		mA	1
		V <sub>OL</sub> @ MAX = 0.4 V		27	27	mA	1
Edge Rate	t <sub>slewr/f</sub>	Rising/Falling edge rate	1	2.35	4	V/ns	1
Rise Time	t <sub>r1</sub>	V <sub>OL</sub> = 0.4 V, V <sub>OH</sub> = 2.4 V	0.5	0.83333333	2	ns	1
Fall Time	t <sub>f1</sub>	V <sub>OH</sub> = 2.4 V, V <sub>OL</sub> = 0.4 V	0.5	0.86956522	2	ns	1
Duty Cycle	d <sub>t1</sub>	V <sub>T</sub> = 1.5 V	45	50.5	55	%	1
Jitter	t <sub>ij</sub>	Long Term (10us)		500	800	ps	1
	t <sub>jpk-pk</sub>		-250	117.5	250	ps	1
	t <sub>jcy-cyc</sub>	V <sub>T</sub> = 1.5 V		170	500	ps	1

\*TA = 0 - 70°C; Supply Voltage VDD = 3.3 V +/-5%, CL = 20 pF with Rs = 7Ω

<sup>1</sup>Guaranteed by design and characterization, not 100% tested in production.

<sup>2</sup>All Long Term Accuracy and Clock Period specifications are guaranteed assuming that REFOUT is at 14.31818MHz

<sup>3</sup>At nominal voltage and temperature

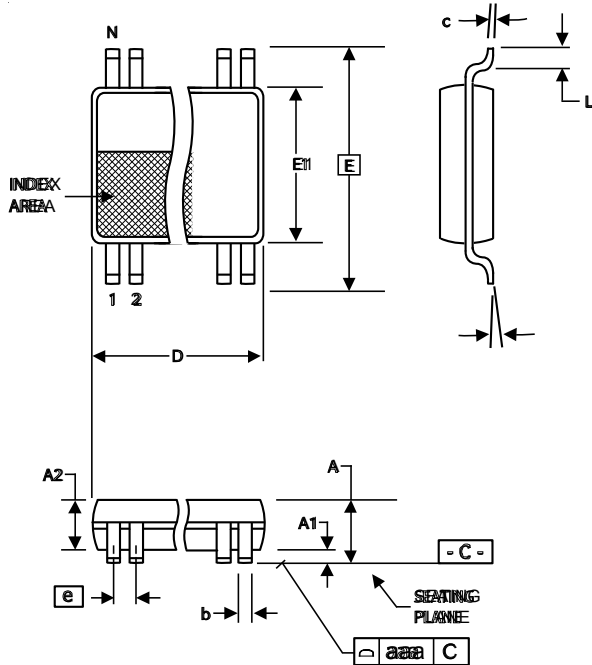
### Electrical Characteristics - REF-14.318MHz

PARAMETER	SYMBOL	CONDITIONS	MIN	TYP	MAX	UNITS	Notes
Long Accuracy	ppm	see Tperiod min-max values	-300		300	ppm	1,2
Clock period	T <sub>period</sub>	14.318MHz output nominal	69.8270		69.8550	ns	2
Output High Voltage	V <sub>OH</sub>	I <sub>OH</sub> = -1 mA	2.4			V	1
Output Low Voltage	V <sub>OL</sub>	I <sub>OL</sub> = 1 mA			0.4	V	1
Output High Current	I <sub>OH</sub>	V <sub>OH</sub> @ MIN = 1.0 V, V <sub>OH</sub> @ MAX = 3.135 V	-29		-23	mA	1
Output Low Current	I <sub>OL</sub>	V <sub>OL</sub> @ MIN = 1.95 V, @ MAX = 0.4 V	29		27	mA	1
Edge Rate	t <sub>slewr/f</sub>	Rising/Falling edge rate	1		4	V/ns	1
Rise Time	t <sub>r1</sub>	V <sub>OL</sub> = 0.4 V, V <sub>OH</sub> = 2.4 V	1		2	ns	1
Fall Time	t <sub>f1</sub>	V <sub>OH</sub> = 2.4 V, V <sub>OL</sub> = 0.4 V	1		2	ns	1
Skew	t <sub>sk1</sub>	V <sub>T</sub> = 1.5 V			500	ps	1
Duty Cycle	d <sub>t1</sub>	V <sub>T</sub> = 1.5 V	45		55	%	1
Jitter	t <sub>jcy-cyc</sub>	V <sub>T</sub> = 1.5 V			1000	ps	1

\*TA = 0 - 70°C; Supply Voltage VDD = 3.3 V +/-5%, CL = 20 pF with Rs = 7Ω (Rs is used in USB48MHz test only)

<sup>1</sup>Guaranteed by design and characterization, not 100% tested in production.

<sup>2</sup>All Long Term Accuracy and Clock Period specifications are guaranteed assuming that REFOUT is at 14.31818MHz



6.10 mm. Body, 0.50 mm. Pitch TSSOP  
(240 mil) (20 mil)

SYMBOL	In Millimeters COMMON DIMENSIONS		In Inches COMMON DIMENSIONS	
	MIN	MAX	MIN	MAX
A	--	1.20	--	.047
A1	0.05	0.15	.002	.006
A2	0.80	1.05	.032	.041
b	0.17	0.27	.007	.011
c	0.09	0.20	.0035	.008
D	SEE VARIATIONS		SEE VARIATIONS	
E	8.10 BASIC		0.319 BASIC	
E1	6.00	6.20	.236	.244
e	0.50 BASIC		0.020 BASIC	
L	0.45	0.75	.018	.030
N	SEE VARIATIONS		SEE VARIATIONS	
α	0°	8°	0°	8°
aaa	--	0.10	--	.004

VARIATIONS

N	D mm.		D (inch)	
	MIN	MAX	MIN	MAX
64	16.90	17.10	.665	.673

Reference Doc.: JEDEC Publication 95, MO-153

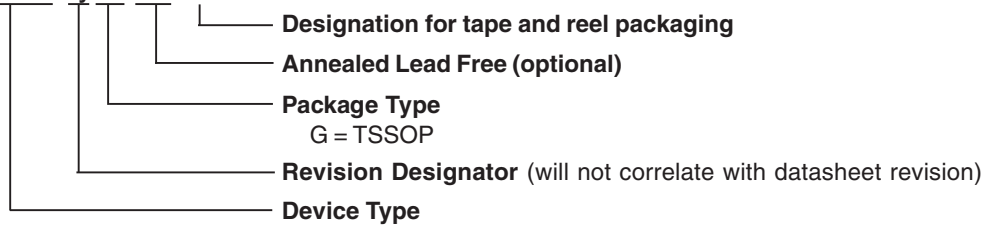
10-0039

## Ordering Information

954310yGLF-T

Example:

**XXXX y G LF-T**





## IMPORTANT NOTICE AND DISCLAIMER

RENESAS ELECTRONICS CORPORATION AND ITS SUBSIDIARIES (“RENESAS”) PROVIDES TECHNICAL SPECIFICATIONS AND RELIABILITY DATA (INCLUDING DATASHEETS), DESIGN RESOURCES (INCLUDING REFERENCE DESIGNS), APPLICATION OR OTHER DESIGN ADVICE, WEB TOOLS, SAFETY INFORMATION, AND OTHER RESOURCES “AS IS” AND WITH ALL FAULTS, AND DISCLAIMS ALL WARRANTIES, EXPRESS OR IMPLIED, INCLUDING, WITHOUT LIMITATION, ANY IMPLIED WARRANTIES OF MERCHANTABILITY, FITNESS FOR A PARTICULAR PURPOSE, OR NON-INFRINGEMENT OF THIRD PARTY INTELLECTUAL PROPERTY RIGHTS.

These resources are intended for developers skilled in the art designing with Renesas products. You are solely responsible for (1) selecting the appropriate products for your application, (2) designing, validating, and testing your application, and (3) ensuring your application meets applicable standards, and any other safety, security, or other requirements. These resources are subject to change without notice. Renesas grants you permission to use these resources only for development of an application that uses Renesas products. Other reproduction or use of these resources is strictly prohibited. No license is granted to any other Renesas intellectual property or to any third party intellectual property. Renesas disclaims responsibility for, and you will fully indemnify Renesas and its representatives against, any claims, damages, costs, losses, or liabilities arising out of your use of these resources. Renesas' products are provided only subject to Renesas' Terms and Conditions of Sale or other applicable terms agreed to in writing. No use of any Renesas resources expands or otherwise alters any applicable warranties or warranty disclaimers for these products.

(Rev.1.0 Mar 2020)

### Corporate Headquarters

TOYOSU FORESIA, 3-2-24 Toyosu,  
Koto-ku, Tokyo 135-0061, Japan  
[www.renesas.com](http://www.renesas.com)

### Contact Information

For further information on a product, technology, the most up-to-date version of a document, or your nearest sales office, please visit:  
[www.renesas.com/contact/](http://www.renesas.com/contact/)

### Trademarks

Renesas and the Renesas logo are trademarks of Renesas Electronics Corporation. All trademarks and registered trademarks are the property of their respective owners.

## X-ON Electronics

Largest Supplier of Electrical and Electronic Components

*Click to view similar products for [Clock Synthesizer/Jitter Cleaner](#) category:*

*Click to view products by [Renesas](#) manufacturer:*

Other Similar products are found below :

[MPC9230EIR2](#) [PL902166USY](#) [954204CGLF](#) [9LPRS485DGLF](#) [PL902167USY](#) [MAXREFDES161#](#) [8V19N490ABDGI](#) [LMK04821NKDT](#)  
[CDCE937QPWRQ1](#) [PI6CX201ALE](#) [9LPRS355BGLF](#) [CDCEL913IPWRQ1](#) [ABMJB-903-101UMG-T5](#) [ABMJB-903-150UMG-T5](#) [ABMJB-903-151UMG-T5](#) [AD9542BCPZ](#) [AD9578BCPZ](#) [9FG104EFILF](#) [9FG104EFLF](#) [308RILF](#) [840001BGI-25LF](#) [843004AGLF](#) [843801AGI-24LF](#)  
[844004BGI-01LF](#) [844S42BKILF](#) [8A34044C-000NLG](#) [954226AGLF](#) [9FG108EFLF](#) [9LPR363EGLF](#) [9LPRS355BKLF](#) [9LPRS365BGLF](#)  
[MK2703BSILF](#) [GS4915-INE3](#) [9DB306BLLF](#) [ABMJB-902-155USY-T5](#) [ABMJB-902-156USY-T5](#) [ABMJB-902-Q76USY-T5](#) [ABMJB-902-Q82USY-T5](#) [ABMJB-902-104USY-T5](#) [ABMJB-902-153USY-T5](#) [ABMJB-902-154USY-T5](#) [ABMJB-902-Q42USY-T5](#) [ABMJB-902-Q57USY-T5](#) [ABMJB-902-Q74USY-T5](#) [ABMJB-902-Q78USY-T5](#) [LTC6951IUHF-1#PBF](#) [650GI-44LF](#) [8430252CGI-45LF](#) [8432DYI-101LF](#)  
[84329BYLF](#)