

## ISL6322G

### Two-Phase Buck PWM Controller with Integrated MOSFET Drivers, I2C Interface, and Phase Dropping

FN6715  
Rev 0.00  
May 22, 2008

The ISL6322G two-phase PWM control IC provides a precision voltage regulation system for advanced microprocessors and memory. The integration of power MOSFET drivers into the controller IC marks a departure from the separate PWM controller and driver configuration of previous multiphase product families. By reducing the number of external parts, this integration is optimized for a cost and space saving power management solution.

One outstanding feature of this controller IC is its multi-processor compatibility, allowing it to work with both Intel and AMD microprocessors. Included are programmable VID codes for Intel VR10, VR11, as well as AMD DAC tables. A unity gain, differential amplifier is provided for remote voltage sensing, compensating for any potential difference between remote and local grounds. The output voltage can also be positively or negatively offset through the use of a single external resistor.

The ISL6322G includes an I<sup>2</sup>C interface, allowing the controller to communicate with other devices over an I<sup>2</sup>C bus. Signals sent over this bus can command the ISL6322G to adjust the number of active phases, voltage margining offset, phase switching frequency, overvoltage protection levels, and can select the integrated driver adaptive dead time scheme.

The ISL6322G also includes advanced control loop features for optimal transient response to load apply and removal. One of these features is highly accurate, fully differential, continuous DCR current sensing for channel-current balance. Active Pulse Positioning (APP) modulation is another unique feature, allowing for quicker initial response to high di/dt load transients.

This controller also allows the user the flexibility to choose between PHASE detect or LGATE detect adaptive dead time schemes. This ability allows the ISL6322G to be used in a multitude of applications where either scheme is required.

Protection features of this controller IC include a set of sophisticated overvoltage, undervoltage, and overcurrent protection. Furthermore, the ISL6322G includes protection against an open circuit on the remote sensing inputs. Combined, these features provide advanced protection for the microprocessor and power system.

### Features

- Integrated Multiphase Power Conversion
  - 2-Phase or 1-Phase Operation with Internal Drivers
- Phase Dropping for Higher Efficiency at Low Output Current Loads
- Precision Core Voltage Regulation
  - Differential Remote Voltage Sensing
  - ±0.5% System Accuracy Over-Temperature
  - Adjustable Reference-Voltage Offset
- Optimal Transient Response
  - Active Pulse Positioning (APP) Modulation
  - Adaptive Phase Alignment (APA)
- Fully Differential, Continuous DCR Current Sensing
  - Precision Channel-Current Balancing
- I<sup>2</sup>C Interface
  - Phase Dropping
  - Voltage Margining Offset
  - Switching Frequency Adjustment
  - Overvoltage Protection Level Adjustment
  - Selects Adaptive Dead Time Scheme
- User Selectable I<sup>2</sup>C “Slave Only” Device Address: 1000\_110x or 1000\_111x
- User Selectable Adaptive Dead Time Scheme
  - PHASE Detect or LGATE Detect for Application Flexibility
- Variable Gate Drive Bias: 5V to 12V
- Multi-Processor Compatible
  - Intel VR10 and VR11 Modes of Operation
  - AMD Mode of Operation
- Microprocessor Voltage Identification Inputs
  - 8-bit DAC
  - Selectable between Intel’s Extended VR10, VR11, AMD 5-bit, and AMD 6-bit DAC Tables
  - Dynamic VID Technology
- Maximum Allowable Output Voltage of 1.6V
- Overcurrent Protection
- Multi-Tiered Overvoltage Protection
- Digital Soft-Start
- Selectable Operation Frequency up to 1.5MHz Per Phase
- Pb-Free (RoHS Compliant)

### Ordering Information

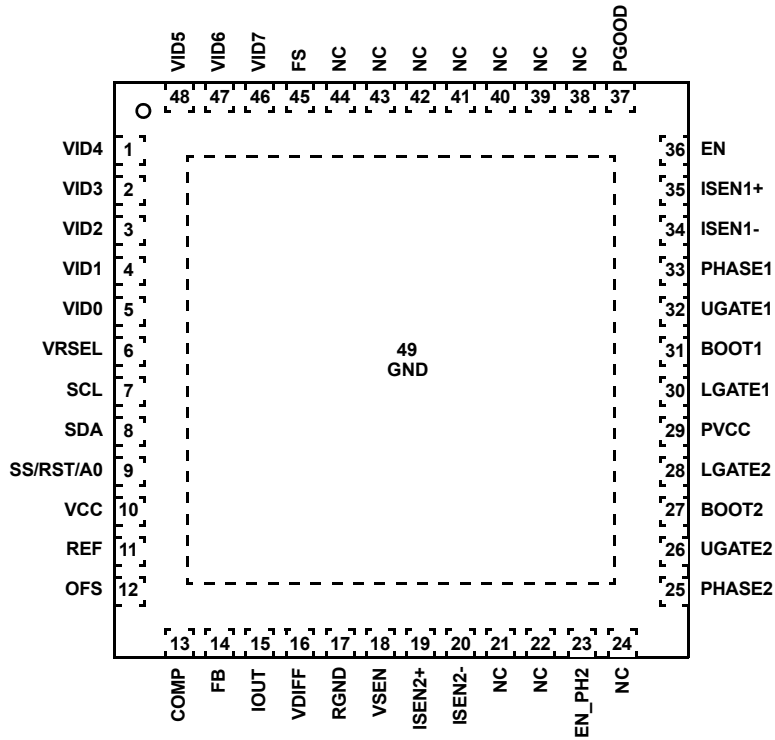
PART NUMBER (Note)	PART MARKING	TEMP. (°C)	PACKAGE (Pb-Free)	PKG. DWG. #
ISL6322GCRZ*	ISL6322G CRZ	0 to +70	48 Ld 7x7 QFN	L48.7x7
ISL6322GIRZ*	ISL6322G IRZ	-40 to +85	48 Ld 7x7 QFN	L48.7x7

\*Add "-T" suffix for tape and reel. Please refer to TB347 for details on reel specifications.

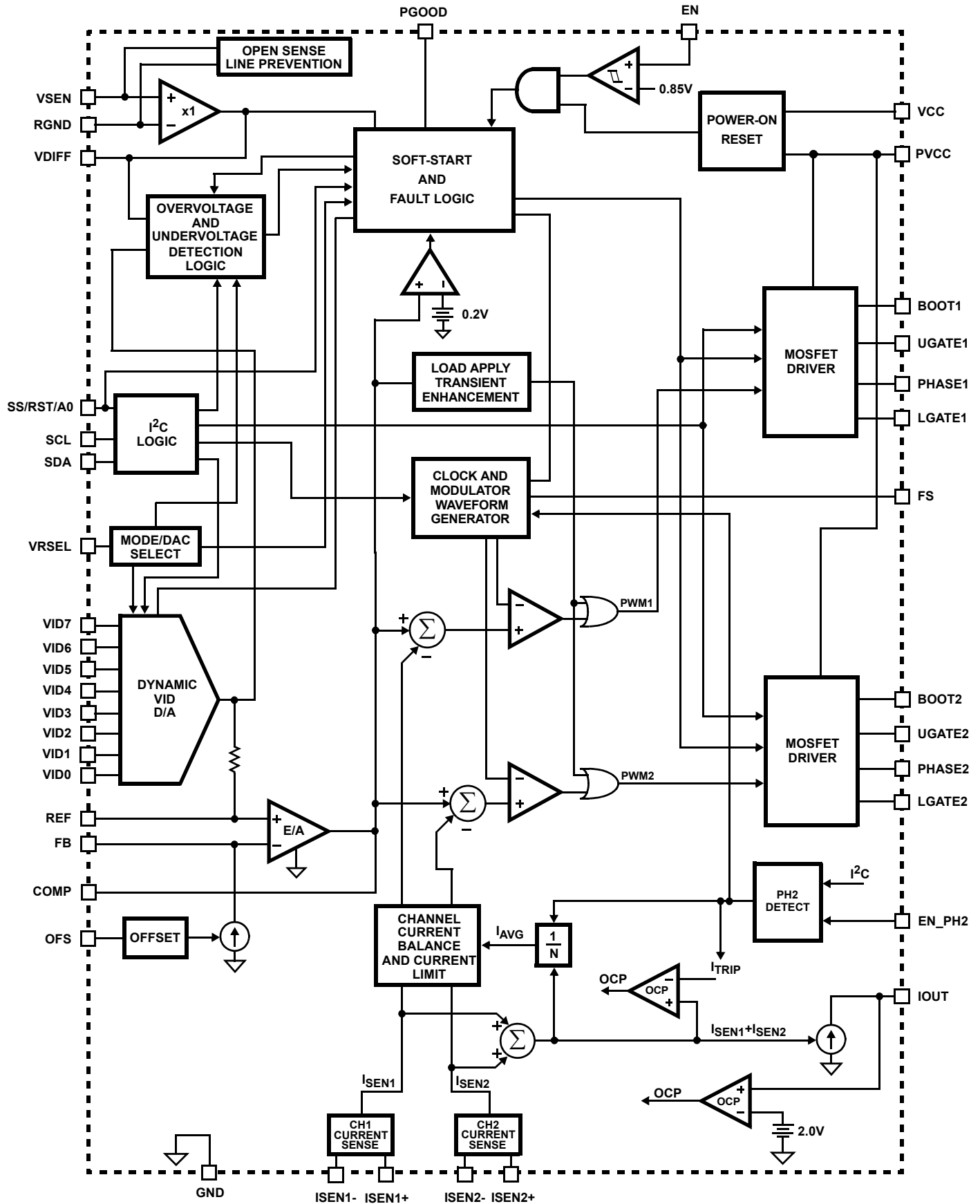
NOTE: These Intersil Pb-free plastic packaged products employ special Pb-free material sets, molding compounds/die attach materials, and 100% matte tin plate plus anneal (e3 termination finish, which is RoHS compliant and compatible with both SnPb and Pb-free soldering operations). Intersil Pb-free products are MSL classified at Pb-free peak reflow temperatures that meet or exceed the Pb-free requirements of IPC/JEDEC J STD-020.

### Pinout

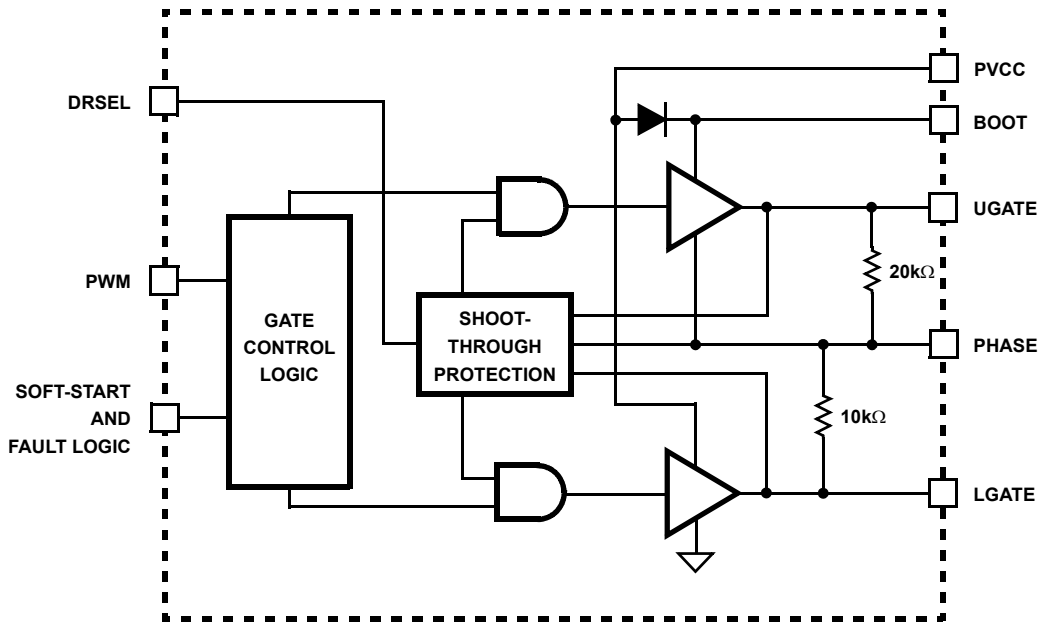
**ISL6322G**  
**(48 LD QFN)**  
TOP VIEW



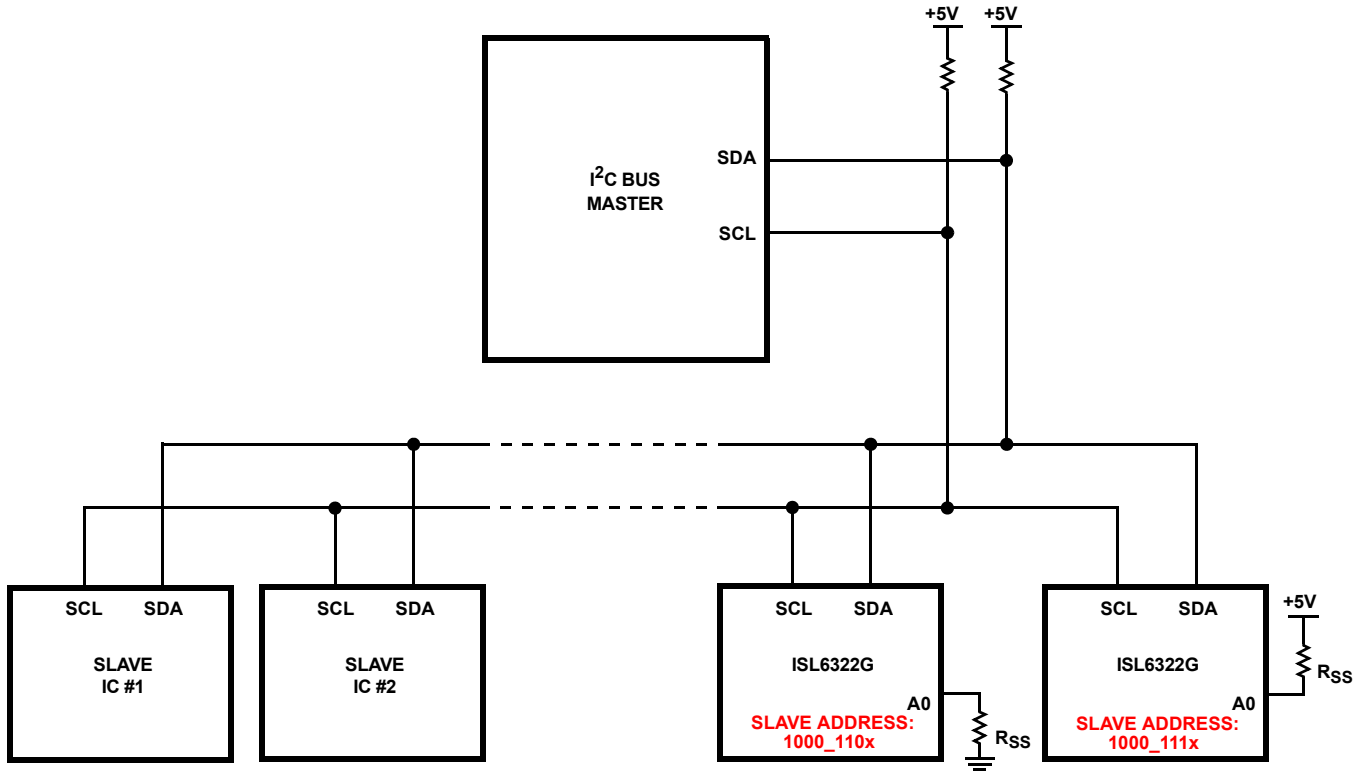
**Block Diagram**



**ISL6322G Integrated Driver Block Diagram**

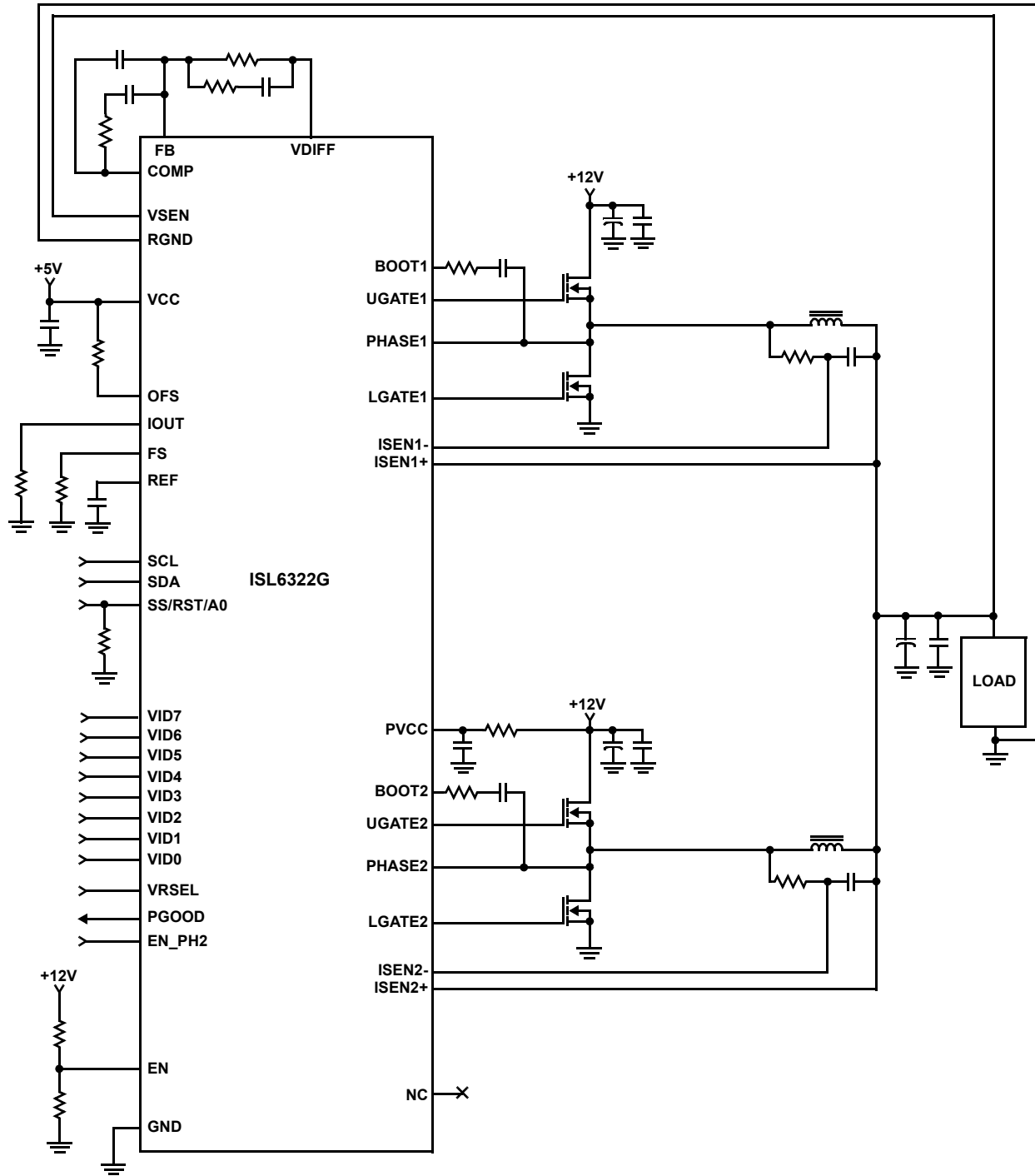


**Simplified I<sup>2</sup>C Bus Architecture**



**NOTE: PIN A0 SELECTS THE SLAVE ADDRESS FOR THE ISL6322G**

**Typical Application - ISL6322G**



**Absolute Maximum Ratings**

Supply Voltage, VCC	-0.3V to +6V
Supply Voltage, PVCC	-0.3V to +15V
BOOT Voltage, V <sub>BOOT</sub>	GND - 0.3V to GND + 36V
BOOT to PHASE Voltage, V <sub>BOOT</sub> - PHASE	-0.3V to 15V (DC) -0.3V to 16V (<10ns, 10μJ)
PHASE Voltage, V <sub>PHASE</sub>	GND - 0.3V to 15V (PVCC = 12) GND - 8V (<400ns, 20μJ) to 24V (<200ns, V <sub>BOOT</sub> - PHASE = 12V)
UGATE Voltage, V <sub>UGATE</sub>	V <sub>PHASE</sub> - 0.3V to V <sub>BOOT</sub> + 0.3V V <sub>PHASE</sub> - 3.5V (<100ns Pulse Width, 2μJ) to V <sub>BOOT</sub> + 0.3V
LGATE Voltage, V <sub>LGATE</sub>	GND - 0.3V to PVCC + 0.3V GND - 5V (<100ns Pulse Width, 2μJ) to PVCC + 0.3V
Input, Output, or I/O Voltage	GND - 0.3V to VCC + 0.3V

**Thermal Information**

Thermal Resistance	$\theta_{JA}$ (°C/W)	$\theta_{JC}$ (°C/W)
QFN Package (Notes 1, 2)	27	2.5
Maximum Junction Temperature	+150°C	
Maximum Storage Temperature Range	-65°C to +150°C	
Pb-free reflow profile	see link below <a href="http://www.intersil.com/pbfree/Pb-FreeReflow.asp">http://www.intersil.com/pbfree/Pb-FreeReflow.asp</a>	

**Recommended Operating Conditions**

VCC Supply Voltage	+5V ±5%
PVCC Supply Voltage	+5V to 12V ±5%
Ambient Temperature	
ISL6322GCRZ	0°C to +70°C
ISL6322GIRZ	-40°C to +85°C

**CAUTION:** Do not operate at or near the maximum ratings listed for extended periods of time. Exposure to such conditions may adversely impact product reliability and result in failures not covered by warranty.

**NOTES:**

- $\theta_{JA}$  is measured in free air with the component mounted on a high effective thermal conductivity test board with "direct attach" features. See Tech Brief TB379.
- For  $\theta_{JC}$ , the "case temp" location is the center of the exposed metal pad on the package underside.
- Limits established by characterization and are not production tested.

**Electrical Specifications** Recommended Operating Conditions, Parameters with MIN and/or MAX limits are 100% tested at +25°C, unless otherwise specified. Temperature limits established by characterization and are not production tested.

PARAMETER	TEST CONDITIONS	MIN	TYP	MAX	UNITS
<b>BIAS SUPPLIES</b>					
Input Bias Supply Current	$I_{VCC}$ ; EN = high	15	20	25	mA
Gate Drive Bias Current - PVCC Pin	$I_{PVCC}$ ; EN = high	2	4.3	6	mA
VCC POR (Power-On Reset) Threshold	VCC rising	4.25	4.38	4.50	V
	VCC falling	3.75	3.88	4.00	V
PVCC POR (Power-On Reset) Threshold	PVCC rising	4.25	4.38	4.50	V
	PVCC falling	3.60	3.88	4.00	V
<b>PWM MODULATOR</b>					
Oscillator Frequency Accuracy, $f_{SW}$	$R_T = 100k\Omega (\pm 0.1\%)$	225	250	275	kHz
Adjustment Range of Switching Frequency	(Note 3)	0.08		1.0	MHz
Oscillator Ramp Amplitude, $V_{p-p}$	(Note 3)		1.50		V
<b>CONTROL THRESHOLDS</b>					
EN Rising Threshold			0.85		V
EN Hysteresis			110		mV
EN_PH2 Input High Voltage		3.0			V
EN_PH2 Input Low Voltage				2.0	V
COMP Shutdown Threshold	COMP falling	0.1	0.2	0.3	V
<b>REFERENCE AND DAC</b>					
System Accuracy (1.000V to 1.600V)		-0.5		0.5	%
System Accuracy (0.600V to 1.000V)		-1.0		1.0	%
System Accuracy (0.375V to 0.600V)		-2.0		2.0	%
DAC Input Low Voltage (VR10, VR11)				0.4	V

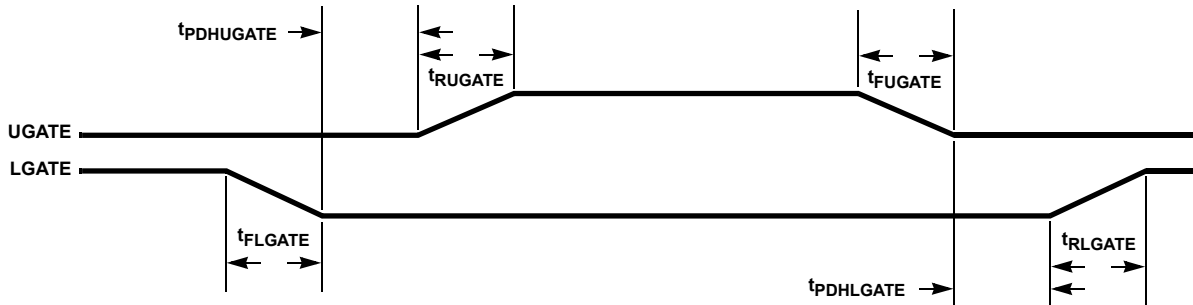
**Electrical Specifications** Recommended Operating Conditions, Parameters with MIN and/or MAX limits are 100% tested at +25°C, unless otherwise specified. Temperature limits established by characterization and are not production tested. (Continued)

PARAMETER	TEST CONDITIONS	MIN	TYP	MAX	UNITS
DAC Input High Voltage (VR10, VR11)		0.8			V
DAC Input Low Voltage (AMD)				0.6	V
DAC Input High Voltage (AMD)		1.0			V
<b>PIN-ADJUSTABLE OFFSET</b>					
OFS Sink Current Accuracy (Negative Offset)	R <sub>OFS</sub> = 10kΩ from OFS to GND	37.0	40.0	43.0	μA
OFS Source Current Accuracy (Positive Offset)	R <sub>OFS</sub> = 30kΩ from OFS to VCC	50.5	53.5	56.5	μA
<b>ERROR AMPLIFIER</b>					
DC Gain	R <sub>L</sub> = 10k to ground, (Note 3)		96		dB
Gain-Bandwidth Product	C <sub>L</sub> = 100pF, R <sub>L</sub> = 10k to ground, (Note 3)		20		MHz
Slew Rate	C <sub>L</sub> = 100pF, Load = ±400μA, (Note 3)		8		V/μs
Maximum Output Voltage	Load = 1mA	3.90	4.20		V
Minimum Output Voltage	Load = -1mA		1.30	1.5	V
<b>SOFT-START RAMP</b>					
Soft-Start Ramp Rate	VR10/VR11, R <sub>S</sub> = 100kΩ		1.563		mV/μs
	AMD		2.063		mV/μs
Adjustment Range of Soft-Start Ramp Rate (Note 3)		0.625		6.25	mV/μs
<b>PWM OUTPUT</b>					
PWM Output Voltage LOW Threshold	I <sub>Load</sub> = ±500μA			0.5	V
PWM Output Voltage HIGH Threshold	I <sub>Load</sub> = ±500μA	4.5			V
<b>CURRENT SENSING</b>					
Current Sense Resistance, R <sub>ISEN</sub>	T = +25°C	297	300	303	Ω
Sensed Current Tolerance	ISEN1 + ISEN2 = 80μA	69	78	85	μA
<b>OVERCURRENT PROTECTION</b>					
Overcurrent Trip Level - Average Channel	1-Phase normal operation	110	126	140	μA
	2-Phase normal operation	224	252	280	μA
	1-Phase Dynamic VID change	142	164	184	μA
	2-Phase Dynamic VID change	290	327	360	μA
Overcurrent Trip Level - Individual Channel	Normal operation	150	177	204	μA
	Dynamic VID change (Note 3)	209.4	238	266.6	μA
<b>PROTECTION</b>					
Undervoltage Threshold	VSEN falling	55	60	65	%VID
Undervoltage Hysteresis	VSEN rising		10		%VID
Overvoltage Threshold During Soft-Start	VR10/VR11	1.24	1.28	1.32	V
	AMD	2.13	2.20	2.27	V
Overvoltage Threshold (Default)	VSEN rising	VDAC + 225mV	VDAC + 250mV	VDAC + 275mV	V
Overvoltage Threshold (Alternate)	VSEN rising	VDAC + 150mV	VDAC + 175mV	VDAC + 200mV	V
Overvoltage Hysteresis	VSEN falling		100		mV

**Electrical Specifications** Recommended Operating Conditions, Parameters with MIN and/or MAX limits are 100% tested at +25°C, unless otherwise specified. Temperature limits established by characterization and are not production tested. (Continued)

PARAMETER	TEST CONDITIONS	MIN	TYP	MAX	UNITS
<b>SWITCHING TIME (Note 3)</b>					
UGATE Rise Time	$t_{RUGATE}$ ; $V_{PVCC} = 12V$ , 3nF load, 10% to 90%		26		ns
LGATE Rise Time	$t_{RLGATE}$ ; $V_{PVCC} = 12V$ , 3nF load, 10% to 90%		18		ns
UGATE Fall Time	$t_{FUGATE}$ ; $V_{PVCC} = 12V$ , 3nF load, 90% to 10%		18		ns
LGATE Fall Time	$t_{FLGATE}$ ; $V_{PVCC} = 12V$ , 3nF load, 90% to 10%		12		ns
UGATE Turn-On Non-Overlap	$t_{PDHUGATE}$ ; $V_{PVCC} = 12V$ , 3nF load, adaptive		10		ns
LGATE Turn-On Non-Overlap	$t_{PDHLGATE}$ ; $V_{PVCC} = 12V$ , 3nF load, adaptive		10		ns
<b>GATE DRIVE RESISTANCE (Note 3)</b>					
Upper Drive Source Resistance	$V_{PVCC} = 12V$ , 15mA source current		2.0		$\Omega$
Upper Drive Sink Resistance	$V_{PVCC} = 12V$ , 15mA sink current		1.65		$\Omega$
Lower Drive Source Resistance	$V_{PVCC} = 12V$ , 15mA source current		1.25		$\Omega$
Lower Drive Sink Resistance	$V_{PVCC} = 12V$ , 15mA sink current		0.80		$\Omega$
<b>OVER TEMPERATURE SHUTDOWN (Note 3)</b>					
Thermal Shutdown Setpoint			160		$^{\circ}C$
Thermal Recovery Setpoint			100		$^{\circ}C$

**Timing Diagram**





## Functional Pin Description

### VCC

VCC is the bias supply for the ICs small-signal circuitry. Connect this pin to a +5V supply and decouple using a quality 0.1 $\mu$ F ceramic capacitor.

### PVCC

This pin is the power supply pin for Channel 1 and 2's MOSFET drive, and can be connected to any voltage from +5V to +12V depending on the desired MOSFET gate-drive level. Decouple this pin with a quality 1.0 $\mu$ F ceramic capacitor.

### GND

GND is the bias and reference ground for the IC.

### EN

This pin is a threshold-sensitive (approximately 0.85V) enable input for the controller. Held low, this pin disables controller operation. Pulled high, the pin enables the controller for operation.

### FS

A resistor, placed from FS to ground, sets the switching frequency of the controller.

### VID0, VID1, VID2, VID3, VID4, VID5, VID6, and VID7

These are the inputs for the internal DAC that provides the reference voltage for output regulation. These pins respond to TTL logic thresholds. These pins are internally pulled high, to approximately 1.2V, by 40 $\mu$ A internal current sources for Intel modes of operation, and pulled low by 20 $\mu$ A internal current sources for AMD modes of operation. The internal pull-up current decreases to 0 as the VID voltage approaches the internal pull-up voltage. All VID pins are compatible with external pull-up voltages not exceeding the IC's bias voltage (VCC).

### VRSEL

The state of this pin selects which of the available DAC tables will be used to decode the VID inputs and puts the controller into the corresponding mode of operation. For VR10 mode of operation VRSEL should be less than 0.6V. The VR11 mode of operation can be selected by setting VRSEL between 0.6V and 3.0V, and AMD compliance is selected if this pin is between 3.0V and VCC.

### VSEN and RGND

VSEN and RGND are inputs to the precision differential remote-sense amplifier and should be connected to the sense pins of the remote load.

### VDIFF

VDIFF is the output of the differential remote-sense amplifier. The voltage on this pin is equal to the difference between VSEN and RGND.

### FB and COMP

These pins are the internal error amplifier inverting input and output respectively. FB, VDIFF, and COMP are tied together through external R-C networks to compensate the regulator.

### IOUT

The IOUT pin is the total channel-sense current output. Connecting this pin through a resistor to ground allows the controller to set the overcurrent protection trip level. This pin pin can also be used as a load current indicator to monitor what the output load current is.

Since the current coming out of the IOUT pin is equal to the addition of Channel 1 and 2's sense currents, the current will be twice as large in 2-phase mode than when in single phase mode.

### REF

The REF input pin is the positive input of the error amplifier. It is internally connected to the DAC output through a 1k $\Omega$  resistor. A capacitor is used between the REF pin and ground to smooth the voltage transition during Dynamic VID operations.

### OFS

The OFS pin provides a means to program a DC current for generating an offset voltage across the resistor between FB and VDIFF. The offset current is generated via an external resistor and precision internal voltage references. The polarity of the offset is selected by connecting the resistor to GND or VCC. For no offset, the OFS pin should be left unconnected.

### ISEN1-, ISEN1+, ISEN2-, and ISEN2+

These pins are used for differentially sensing the corresponding channel output currents. The sensed currents are used for channel-current balancing and protection.

Connect ISEN1- and ISEN2- to the node between the RC sense elements surrounding the inductor of their respective channel. Tie the ISEN+ pins to the VCORE side of their corresponding channel's sense capacitor.

### UGATE1 and UGATE2

Connect these pins to the corresponding upper MOSFET gates. These pins are used to control the upper MOSFETs and are monitored for shoot-through prevention purposes.

### BOOT1 and BOOT2

These pins provide the bias voltage for the corresponding upper MOSFET drives. Connect these pins to appropriately-chosen external bootstrap capacitors. Internal bootstrap diodes connected to the PVCC pins provide the necessary bootstrap charge.

### PHASE1 and PHASE2

Connect these pins to the sources of the corresponding upper MOSFETs. These pins are the return path for the upper MOSFET drives.

## LGATE1 and LGATE2

These pins are used to control the lower MOSFETs. Connect these pins to the corresponding lower MOSFETs' gates.

## EN\_PH2

This pin is a digital logic input which tells the controller to operate in single phase or 2-phase mode. The number of active phases can be changed while the controller is operating by changing the state of this pin. Tying this pin high commands the part to operate in single phase mode only. If EN\_PH2 is tied low the part can operate in either single phase or 2-phase mode depending on the state of Bit 6 of I<sup>2</sup>C register 2. The default I<sup>2</sup>C setting is 2-phase mode, so if Bit 6 of register 2 is not changed tying EN\_PH2 low commands the controller to operate in 2-phase mode.

If EN\_PH2 is tied high the controller will ignore the state of bit 6 in register 2 and will not allow the I<sup>2</sup>C interface to control the number of channel's firing.

## SS/RST/A0

This pin has three different functions associated with it. The first is that a resistor ( $R_{SS}$ ), placed from this pin to ground, or VCC, will set the soft-start ramp slope for the Intel DAC modes of operation. Refer to Equations 15 and 16 for proper resistor calculation.

The second function of this pin is that it selects which of the two 8-bit Slave I<sup>2</sup>C addresses the controller will use. Connecting the  $R_{SS}$  resistor on this pin to ground will choose slave address one(1000\_110x), while connecting this resistor to VCC will select slave address two(1000\_111x).

The third function of this pin is a reset to the I<sup>2</sup>C registers. During normal operation of the part, if this pin is ever grounded, all of the I<sup>2</sup>C registers are reset to 0000\_0000. An open drain device is recommended as the means of grounding this pin for resetting the I<sup>2</sup>C registers.

## SCL

Connect this pin to the clock signal for the I<sup>2</sup>C bus, which is a logic level input signal. The clock signal tells the controller when data is available on the I<sup>2</sup>C bus.

## SDA

Connect this pin to the bidirectional data line of the I<sup>2</sup>C bus, which is a logic level input/output signal. All I<sup>2</sup>C data is sent over this line, including the address of the device the bus is trying to communicate with, and what functions the device should perform.

## PGOOD

During normal operation PGOOD indicates whether the output voltage is within specified overvoltage and undervoltage limits. If the output voltage exceeds these limits or a reset event occurs (such as an overcurrent event),

PGOOD is pulled low. PGOOD is always low prior to the end of soft-start.

## NC

These are "no connect" pins. They should be left floating.

## Operation

### Multiphase Power Conversion

Microprocessor load current profiles have changed to the point that using single-phase regulators is no longer a viable solution. Designing a regulator that is cost-effective, thermally sound, and efficient has become a challenge that only multiphase converters can accomplish. The ISL6322G controller helps simplify implementation by integrating vital functions and requiring minimal external components. The "Block Diagram" on page 3 provides a top level view of multiphase power conversion using the ISL6322G controller.

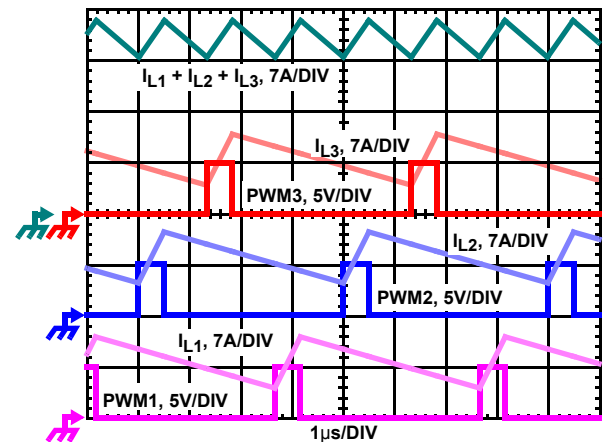


FIGURE 1. PWM AND INDUCTOR-CURRENT WAVEFORMS FOR 3-PHASE CONVERTER

### Interleaving

The switching of each channel in a multiphase converter is timed to be symmetrically out of phase with each of the other channels. For example, in a 3-phase converter, each channel switches 1/3 cycle after the previous channel and 1/3 cycle before the following channel. As a result, the 3-phase converter has a combined ripple frequency 3x greater than the ripple frequency of any one phase. In addition, the peak-to-peak amplitude of the combined inductor currents is reduced in proportion to the number of phases (Equations 1 and 2). Increased ripple frequency and lower ripple amplitude mean that the designer can use less per-channel inductance and lower total output capacitance for any performance specification.

Figure 1 illustrates the multiplicative effect on output ripple frequency. The three channel currents ( $I_{L1}$ ,  $I_{L2}$ , and  $I_{L3}$ ) combine to form the AC ripple current and the DC load current. The ripple component has 3x the ripple frequency of each individual channel-current. Each PWM pulse is

terminated 1/3 of a cycle after the PWM pulse of the previous phase. The peak-to-peak current for each phase is about 7A, and the DC components of the inductor currents combine to feed the load.

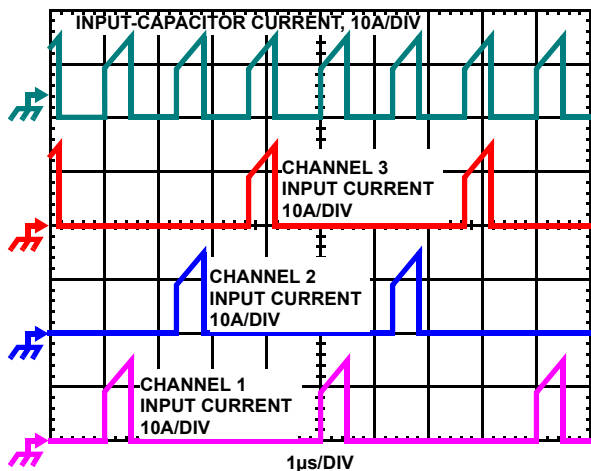
To understand the reduction of ripple current amplitude in the multiphase circuit, examine the equation representing an individual channel peak-to-peak inductor current.

$$I_{P-P} = \frac{(V_{IN} - V_{OUT}) \cdot V_{OUT}}{L \cdot f_S \cdot V_{IN}} \quad (\text{EQ. 1})$$

In Equation 1,  $V_{IN}$  and  $V_{OUT}$  are the input and output voltages respectively,  $L$  is the single-channel inductor value, and  $f_S$  is the switching frequency.

The output capacitors conduct the ripple component of the inductor current. In the case of multiphase converters, the capacitor current is the sum of the ripple currents from each of the individual channels. Compare Equation 1 to the expression for the peak-to-peak current after the summation of  $N$  symmetrically phase-shifted inductor currents in Equation 2. Peak-to-peak ripple current decreases by an amount proportional to the number of channels. Output voltage ripple is a function of capacitance, capacitor equivalent series resistance (ESR), and inductor ripple current. Reducing the inductor ripple current allows the designer to use fewer or less costly output capacitors.

$$I_{C(P-P)} = \frac{(V_{IN} - N \cdot V_{OUT}) \cdot V_{OUT}}{L \cdot f_S \cdot V_{IN}} \quad (\text{EQ. 2})$$



**FIGURE 2. CHANNEL INPUT CURRENTS AND INPUT-CAPACITOR RMS CURRENT FOR 3-PHASE CONVERTER**

Another benefit of interleaving is to reduce input ripple current. Input capacitance is determined in part by the maximum input ripple current. Multiphase topologies can improve overall system cost and size by lowering input ripple current and allowing the designer to reduce the cost of input capacitance. The example in Figure 2 illustrates input currents from a three-phase converter combining to reduce the total input ripple current.

The converter depicted in Figure 2 delivers 1.5V to a 36A load from a 12V input. The RMS input capacitor current is 5.9A. Compare this to a single-phase converter also stepping down 12V to 1.5V at 36A. The single-phase converter has 11.9A<sub>RMS</sub> input capacitor current. The single-phase converter must use an input capacitor bank with twice the RMS current capacity as the equivalent 3-phase converter.

### Active Pulse Positioning (APP) Modulated PWM Operation

The ISL6322G uses a proprietary Active Pulse Positioning (APP) modulation scheme to control the internal PWM signals that command each channel's driver to turn their upper and lower MOSFETs on and off. The time interval in which a PWM signal can occur is generated by an internal clock, whose cycle time is the inverse of the switching frequency set by the resistor between the FS pin and ground. The advantage of Intersil's proprietary Active Pulse Positioning (APP) modulator is that the PWM signal has the ability to turn on at any point during this PWM time interval, and turn off immediately after the PWM signal has transitioned high. This is important because it allows the controller to quickly respond to output voltage drops associated with current load spikes, while avoiding the ring back affects associated with other modulation schemes.

The PWM output state is driven by the position of the error amplifier output signal,  $V_{COMP}$ , minus the current correction signal relative to the proprietary modulator ramp waveform as illustrated in Figure 3. At the beginning of each PWM time interval, this modified  $V_{COMP}$  signal is compared to the internal modulator waveform. As long as the modified  $V_{COMP}$  voltage is lower than the modulator waveform voltage, the PWM signal is commanded low. The internal MOSFET driver detects the low state of the PWM signal and turns off the upper MOSFET and turns on the lower synchronous MOSFET. When the modified  $V_{COMP}$  voltage crosses the modulator ramp, the PWM output transitions high, turning off the synchronous MOSFET and turning on the upper MOSFET. The PWM signal will remain high until the modified  $V_{COMP}$  voltage crosses the modulator ramp again. When this occurs the PWM signal will transition low again.

During each PWM time interval the PWM signal can only transition high once. Once PWM transitions high it can not transition high again until the beginning of the next PWM time interval. This prevents the occurrence of double PWM pulses occurring during a single period.

To further improve the transient response, ISL6322G also implements Intersil's proprietary Adaptive Phase Alignment (APA) technique, which turns on all phases together under transient events with large step current. With both APP and APA control, ISL6322G can achieve excellent transient performance and reduce the demand on the output capacitors.

### Phase Dropping

The ISL6322G has the ability to change the number of active phases firing on-the-fly. This can be done through one of two ways; through the use of the EN\_PH2 pin, and through the I<sup>2</sup>C interface.

The EN\_PH2 pin is a digital logic input pin. Tying this pin high commands the part to operate in single phase mode only. If EN\_PH2 is tied low the part can operate in either single phase or 2-phase mode depending on the state of Bit 6 of I<sup>2</sup>C register 2. When the controller first powers up Bit 6 is preset to “0”, which commands the controller to operate in 2-phase mode. Changing bit 6 to a “1” commands the controller to operate in single phase mode. For details on how to change the state of the I<sup>2</sup>C registers please refer to the “I<sup>2</sup>C Bus Interface” on page 26. If EN\_PH2 is tied high, the controller will operate in single phase mode only and will ignore the state of Bit 6 in register 2, not allowing the I<sup>2</sup>C interface to control the number of channel’s firing.

Once the ISL6322G receives a signal to change the number of active phases it immediately responds by dropping or adding phase 2 with no delay. When dropping from 2-phase to single phase mode both LGATE2 and UGATE2 are immediately tied low. These signals will stay in this state until the controller is commanded to run in 2-phase mode again. At this point LGATE2 and UGATE2 will be released to fire normally.

### Channel-Current Balance

One important benefit of multiphase operation is the thermal advantage gained by distributing the dissipated heat over multiple devices and greater area. By doing this the designer avoids the complexity of driving parallel MOSFETs and the expense of using expensive heat sinks and exotic magnetic materials.

In order to realize the thermal advantage, it is important that each channel in a multiphase converter be controlled to carry equal amounts of current at any load level. To achieve this, the currents through each channel must be sampled every switching cycle. The sampled currents,  $I_n$ , from each active channel are summed together and divided by the number of active channels. The resulting cycle average current,  $I_{AVG}$ , provides a measure of the total load-current demand on the converter during each switching cycle. Channel-current balance is achieved by comparing the sampled current of each channel to the cycle average current, and making the proper adjustment to each channel pulse width based on the error. Intersil’s patented current-balance method is illustrated in Figure 3, with error correction for Channel 1 represented. In the figure, the cycle average current,  $I_{AVG}$ , is compared with the Channel 1 sample,  $I_1$ , to create an error signal  $I_{ER}$ .

The filtered error signal modifies the pulse width commanded by  $V_{COMP}$  to correct any unbalance and force

$I_{ER}$  toward zero. The same method for error signal correction is applied to each active channel

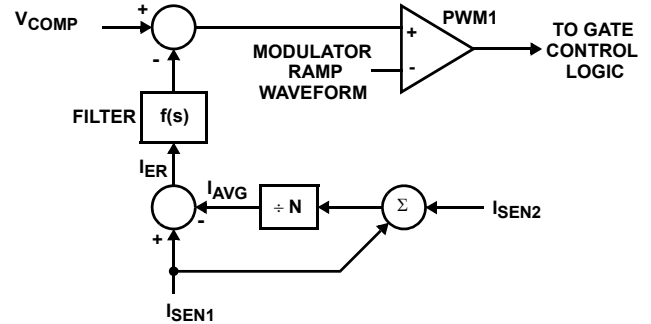


FIGURE 3. CHANNEL-1 PWM FUNCTION AND CURRENT-BALANCE ADJUSTMENT

### Continuous Current Sampling

In order to realize proper current-balance, the currents in each channel are sensed continuously every switching cycle. During this time the current-sense amplifier uses the ISEN inputs to reproduce a signal proportional to the inductor current,  $I_L$ . This sensed current,  $I_{SEN}$ , is simply a scaled version of the inductor current.

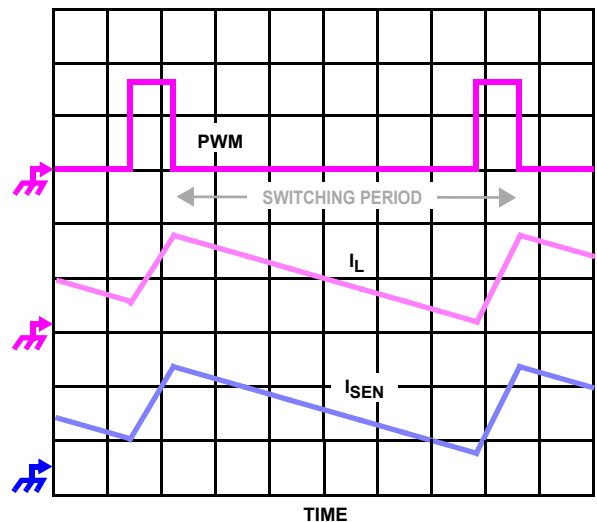
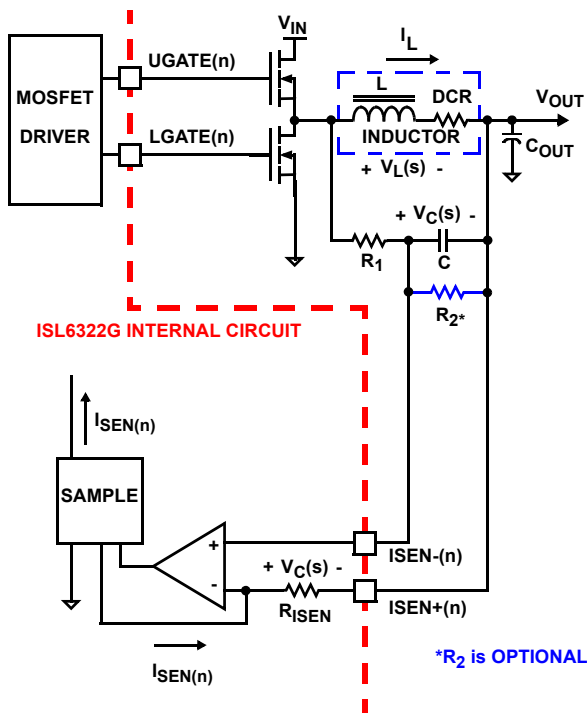


FIGURE 4. CONTINUOUS CURRENT SAMPLING

The ISL6322G supports inductor DCR current sensing to continuously sense each channel’s current for channel-current balance (see Figure 4). The internal circuitry, shown in Figure 5 represents Channel N of an N-Channel converter. This circuitry is repeated for each channel in the converter, but may not be active depending on how many channels are operating.



**FIGURE 5. INDUCTOR DCR CURRENT SENSING CONFIGURATION**

Inductor windings have a characteristic distributed resistance or DCR (Direct Current Resistance). For simplicity, the inductor DCR is considered as a separate lumped quantity, as shown in Figure 5. The channel-current  $I_L$ , flowing through the inductor, passes through the DCR. Equation 3 shows the S-domain equivalent voltage,  $V_L$ , across the inductor.

$$V_L(s) = I_L \cdot (s \cdot L + DCR) \tag{EQ. 3}$$

A simple R-C network across the inductor ( $R_1$  and C) extracts the DCR voltage, as shown in Figure 5. The voltage across the sense capacitor,  $V_C$ , can be shown to be proportional to the channel-current  $I_L$ , shown in Equation 4.

$$V_C(s) = \frac{\left(\frac{s \cdot L}{DCR} + 1\right)}{(s \cdot R_1 \cdot C + 1)} \cdot DCR \cdot I_L \tag{EQ. 4}$$

In some cases it may be necessary to use a resistor divider R-C network to sense the current through the inductor. This can be accomplished by placing a second resistor,  $R_2$ , across the sense capacitor. In these cases the voltage across the sense capacitor,  $V_C$ , becomes proportional to the channel-current  $I_L$ , and the resistor divider ratio, K.

$$V_C(s) = \frac{\left(\frac{s \cdot L}{DCR} + 1\right)}{\left(s \cdot \frac{(R_1 \cdot R_2)}{R_1 + R_2} \cdot C + 1\right)} \cdot K \cdot DCR \cdot I_L \tag{EQ. 5}$$

$$K = \frac{R_2}{R_2 + R_1} \tag{EQ. 6}$$

If the R-C network components are selected such that the RC time constant matches the inductor L/DCR time constant, then  $V_C$  is equal to the voltage drop across the DCR multiplied by the ratio of the resistor divider, K. **If a resistor divider is not being used, the value for K is 1.**

The capacitor voltage  $V_C$ , is then replicated across the sense resistor  $R_{ISEN}$ . The current through  $R_{ISEN}$  is proportional to the inductor current. Equation 7 shows that the proportion between the channel-current and the sensed current ( $I_{SEN}$ ) is driven by the value of the sense resistor, the resistor divider ratio, and the DCR of the inductor.

$$I_{SEN} = K \cdot I_L \cdot \frac{DCR}{R_{ISEN}} \tag{EQ. 7}$$

**Output Voltage Setting**

The ISL6322G uses a digital to analog converter (DAC) to generate a reference voltage based on the logic signals at the VID pins. The DAC decodes the logic signals into one of the discrete voltages shown in Tables 2, 3, 4 and 5. In Intel modes of operation, each VID pin is pulled up to an internal 1.2V voltage by a weak current source (40µA), which decreases to 0A as the voltage at the VID pin varies from 0 to the internal 1.2V pull-up voltage. In AMD modes of operation the VID pins are pulled low by a weak 20µA current source. External pull-up resistors or active-high output stages can augment the pull-up current sources, up to a voltage of 5V.

The ISL6322G accommodates four different DAC ranges: Intel VR10 (Extended), Intel VR11, AMD K8/K9 5-bit, and AMD 6-bit. The state of the VRSEL and VID7 pins decide which DAC version is active. Refer to Table 1 for a description of how to select the desired DAC version.

**TABLE 1. ISL6322G DAC SELECT TABLE**

DAC VERSION	VRSEL PIN	VID7 PIN
VR10(Extended)	VRSEL < 0.6V	-
VR11	0.8V < VRSEL < 3.0V	-
AMD 5-bit	3.0V < VRSEL < VCC	Low
AMD 6-bit	3.0V < VRSEL < VCC	High

**TABLE 2. VR10 (EXTENDED) VOLTAGE IDENTIFICATION CODES**

VID4	VID3	VID2	VID1	VID0	VID5	VID6	VDAC
0	1	0	1	0	1	1	1.60000
0	1	0	1	0	1	0	1.59375

TABLE 2. VR10 (EXTENDED) VOLTAGE IDENTIFICATION CODES (Continued)

VID4	VID3	VID2	VID1	VID0	VID5	VID6	VDAC
0	1	0	1	1	0	1	1.58750
0	1	0	1	1	0	0	1.58125
0	1	0	1	1	1	1	1.57500
0	1	0	1	1	1	0	1.56875
0	1	1	0	0	0	1	1.56250
0	1	1	0	0	0	0	1.55625
0	1	1	0	0	1	1	1.55000
0	1	1	0	0	1	0	1.54375
0	1	1	0	1	0	1	1.53750
0	1	1	0	1	0	0	1.53125
0	1	1	0	1	1	1	1.52500
0	1	1	0	1	1	0	1.51875
0	1	1	1	0	0	1	1.51250
0	1	1	1	0	0	0	1.50625
0	1	1	1	0	1	1	1.50000
0	1	1	1	0	1	0	1.49375
0	1	1	1	1	0	1	1.48750
0	1	1	1	1	0	0	1.48125
0	1	1	1	1	1	1	1.47500
0	1	1	1	1	1	0	1.46875
1	0	0	0	0	0	1	1.46250
1	0	0	0	0	0	0	1.45625
1	0	0	0	0	1	1	1.45000
1	0	0	0	0	1	0	1.44375
1	0	0	0	1	0	1	1.43750
1	0	0	0	1	0	0	1.43125
1	0	0	0	1	1	1	1.42500
1	0	0	0	1	1	0	1.41875
1	0	0	1	0	0	1	1.41250
1	0	0	1	0	0	0	1.40625
1	0	0	1	0	1	1	1.40000
1	0	0	1	0	1	0	1.39375
1	0	0	1	1	0	1	1.38750
1	0	0	1	1	0	0	1.38125
1	0	0	1	1	1	1	1.37500
1	0	0	1	1	1	0	1.36875
1	0	1	0	0	0	1	1.36250
1	0	1	0	0	0	0	1.35625
1	0	1	0	0	1	1	1.35000

TABLE 2. VR10 (EXTENDED) VOLTAGE IDENTIFICATION CODES (Continued)

VID4	VID3	VID2	VID1	VID0	VID5	VID6	VDAC
1	0	1	0	0	1	0	1.34375
1	0	1	0	1	0	1	1.33750
1	0	1	0	1	0	0	1.33125
1	0	1	0	1	1	1	1.32500
1	0	1	0	1	1	0	1.31875
1	0	1	1	0	0	1	1.31250
1	0	1	1	0	0	0	1.30625
1	0	1	1	0	1	1	1.30000
1	0	1	1	0	1	0	1.29375
1	0	1	1	1	0	1	1.28750
1	0	1	1	1	0	0	1.28125
1	0	1	1	1	1	1	1.27500
1	0	1	1	1	1	0	1.26875
1	1	0	0	0	0	1	1.26250
1	1	0	0	0	0	0	1.25625
1	1	0	0	0	1	1	1.25000
1	1	0	0	0	1	0	1.24375
1	1	0	0	1	0	1	1.23750
1	1	0	0	1	0	0	1.23125
1	1	0	0	1	1	1	1.22500
1	1	0	0	1	1	0	1.21875
1	1	0	1	0	0	1	1.21250
1	1	0	1	0	0	0	1.20625
1	1	0	1	0	1	1	1.20000
1	1	0	1	0	1	0	1.19375
1	1	0	1	1	0	1	1.18750
1	1	0	1	1	0	0	1.18125
1	1	0	1	1	1	1	1.17500
1	1	0	1	1	1	0	1.16875
1	1	1	0	0	0	1	1.16250
1	1	1	0	0	0	0	1.15625
1	1	1	0	0	1	1	1.15000
1	1	1	0	0	1	0	1.14375
1	1	1	0	1	0	1	1.13750
1	1	1	0	1	0	0	1.13125
1	1	1	0	1	1	1	1.12500
1	1	1	0	1	1	0	1.11875
1	1	1	1	0	0	1	1.11250
1	1	1	1	0	0	0	1.10625

**TABLE 2. VR10 (EXTENDED) VOLTAGE IDENTIFICATION CODES (Continued)**

VID4	VID3	VID2	VID1	VID0	VID5	VID6	VDAC
1	1	1	1	0	1	1	1.10000
1	1	1	1	0	1	0	1.09375
1	1	1	1	1	0	1	OFF
1	1	1	1	1	0	0	OFF
1	1	1	1	1	1	1	OFF
1	1	1	1	1	1	0	OFF
0	0	0	0	0	0	1	1.08750
0	0	0	0	0	0	0	1.08125
0	0	0	0	0	1	1	1.07500
0	0	0	0	0	1	0	1.06875
0	0	0	0	1	0	1	1.06250
0	0	0	0	1	0	0	1.05625
0	0	0	0	1	1	1	1.05000
0	0	0	0	1	1	0	1.04375
0	0	0	1	0	0	1	1.03750
0	0	0	1	0	0	0	1.03125
0	0	0	1	0	1	1	1.02500
0	0	0	1	0	1	0	1.01875
0	0	0	1	1	0	1	1.01250
0	0	0	1	1	0	0	1.00625
0	0	0	1	1	1	1	1.00000
0	0	0	1	1	1	0	0.99375
0	0	1	0	0	0	1	0.98750
0	0	1	0	0	0	0	0.98125
0	0	1	0	0	1	1	0.97500
0	0	1	0	0	1	0	0.96875
0	0	1	0	1	0	1	0.96250
0	0	1	0	1	0	0	0.95625
0	0	1	0	1	1	1	0.95000
0	0	1	0	1	1	0	0.94375
0	0	1	1	0	0	1	0.93750
0	0	1	1	0	0	0	0.93125
0	0	1	1	0	1	1	0.92500
0	0	1	1	0	1	0	0.91875
0	0	1	1	1	0	1	0.91250
0	0	1	1	1	0	0	0.90625
0	0	1	1	1	1	1	0.90000
0	0	1	1	1	1	0	0.89375
0	1	0	0	0	0	1	0.88750

**TABLE 2. VR10 (EXTENDED) VOLTAGE IDENTIFICATION CODES (Continued)**

VID4	VID3	VID2	VID1	VID0	VID5	VID6	VDAC
0	1	0	0	0	0	0	0.88125
0	1	0	0	0	1	1	0.87500
0	1	0	0	0	1	0	0.86875
0	1	0	0	1	0	1	0.86250
0	1	0	0	1	0	0	0.85625
0	1	0	0	1	1	1	0.85000
0	1	0	0	1	1	0	0.84375
0	1	0	1	0	0	1	0.83750
0	1	0	1	0	0	0	0.83125

**TABLE 3. VR11 VOLTAGE IDENTIFICATION CODES**

VID7	VID6	VID5	VID4	VID3	VID2	VID1	VID0	VDAC
0	0	0	0	0	0	0	0	OFF
0	0	0	0	0	0	0	1	OFF
0	0	0	0	0	0	1	0	1.60000
0	0	0	0	0	0	1	1	1.59375
0	0	0	0	0	1	0	0	1.58750
0	0	0	0	0	1	0	1	1.58125
0	0	0	0	0	1	1	0	1.57500
0	0	0	0	0	1	1	1	1.56875
0	0	0	0	1	0	0	0	1.56250
0	0	0	0	1	0	0	1	1.55625
0	0	0	0	1	0	1	0	1.55000
0	0	0	0	1	0	1	1	1.54375
0	0	0	0	1	1	0	0	1.53750
0	0	0	0	1	1	0	1	1.53125
0	0	0	0	1	1	1	0	1.52500
0	0	0	0	1	1	1	1	1.51875
0	0	0	1	0	0	0	0	1.51250
0	0	0	1	0	0	0	1	1.50625
0	0	0	1	0	0	1	0	1.50000
0	0	0	1	0	0	1	1	1.49375
0	0	0	1	0	1	0	0	1.48750
0	0	0	1	0	1	0	1	1.48125
0	0	0	1	0	1	1	0	1.47500
0	0	0	1	0	1	1	1	1.46875
0	0	0	1	1	0	0	0	1.46250
0	0	0	1	1	0	0	1	1.45625
0	0	0	1	1	0	1	0	1.45000

**TABLE 3. VR11 VOLTAGE IDENTIFICATION  
CODES (Continued)**

VID7	VID6	VID5	VID4	VID3	VID2	VID1	VID0	VDAC
0	0	0	1	1	0	1	1	1.44375
0	0	0	1	1	1	0	0	1.43750
0	0	0	1	1	1	0	1	1.43125
0	0	0	1	1	1	1	0	1.42500
0	0	0	1	1	1	1	1	1.41875
0	0	1	0	0	0	0	0	1.41250
0	0	1	0	0	0	0	1	1.40625
0	0	1	0	0	0	1	0	1.40000
0	0	1	0	0	0	1	1	1.39375
0	0	1	0	0	1	0	0	1.38750
0	0	1	0	0	1	0	1	1.38125
0	0	1	0	0	1	1	0	1.37500
0	0	1	0	0	1	1	1	1.36875
0	0	1	0	1	0	0	0	1.36250
0	0	1	0	1	0	0	1	1.35625
0	0	1	0	1	0	1	0	1.35000
0	0	1	0	1	0	1	1	1.34375
0	0	1	0	1	1	0	0	1.33750
0	0	1	0	1	1	0	1	1.33125
0	0	1	0	1	1	1	0	1.32500
0	0	1	0	1	1	1	1	1.31875
0	0	1	1	0	0	0	0	1.31250
0	0	1	1	0	0	0	1	1.30625
0	0	1	1	0	0	1	0	1.30000
0	0	1	1	0	0	1	1	1.29375
0	0	1	1	0	1	0	0	1.28750
0	0	1	1	0	1	0	1	1.28125
0	0	1	1	0	1	1	0	1.27500
0	0	1	1	0	1	1	1	1.26875
0	0	1	1	1	0	0	0	1.26250
0	0	1	1	1	0	0	1	1.25625
0	0	1	1	1	0	1	0	1.25000
0	0	1	1	1	0	1	1	1.24375
0	0	1	1	1	1	0	0	1.23750
0	0	1	1	1	1	0	1	1.23125
0	0	1	1	1	1	1	0	1.22500
0	0	1	1	1	1	1	1	1.21875
0	1	0	0	0	0	0	0	1.21250
0	1	0	0	0	0	0	1	1.20625

**TABLE 3. VR11 VOLTAGE IDENTIFICATION  
CODES (Continued)**

VID7	VID6	VID5	VID4	VID3	VID2	VID1	VID0	VDAC
0	1	0	0	0	0	1	0	1.20000
0	1	0	0	0	0	1	1	1.19375
0	1	0	0	0	1	0	0	1.18750
0	1	0	0	0	1	0	1	1.18125
0	1	0	0	0	1	1	0	1.17500
0	1	0	0	0	1	1	1	1.16875
0	1	0	0	1	0	0	0	1.16250
0	1	0	0	1	0	0	1	1.15625
0	1	0	0	1	0	1	0	1.15000
0	1	0	0	1	0	1	1	1.14375
0	1	0	0	1	1	0	0	1.13750
0	1	0	0	1	1	0	1	1.13125
0	1	0	0	1	1	1	0	1.12500
0	1	0	0	1	1	1	1	1.11875
0	1	0	1	0	0	0	0	1.11250
0	1	0	1	0	0	0	1	1.10625
0	1	0	1	0	0	1	0	1.10000
0	1	0	1	0	0	1	1	1.09375
0	1	0	1	0	1	0	0	1.08750
0	1	0	1	0	1	0	1	1.08125
0	1	0	1	0	1	1	0	1.07500
0	1	0	1	0	1	1	1	1.06875
0	1	0	1	1	0	0	0	1.06250
0	1	0	1	1	0	0	1	1.05625
0	1	0	1	1	0	1	0	1.05000
0	1	0	1	1	0	1	1	1.04375
0	1	0	1	1	1	0	0	1.03750
0	1	0	1	1	1	0	1	1.03125
0	1	0	1	1	1	1	0	1.02500
0	1	0	1	1	1	1	1	1.01875
0	1	1	0	0	0	0	0	1.01250
0	1	1	0	0	0	0	1	1.00625
0	1	1	0	0	0	1	0	1.00000
0	1	1	0	0	0	1	1	0.99375
0	1	1	0	0	1	0	0	0.98750
0	1	1	0	0	1	0	1	0.98125
0	1	1	0	0	1	1	0	0.97500
0	1	1	0	0	1	1	1	0.96875
0	1	1	0	1	0	0	0	0.96250



**TABLE 3. VR11 VOLTAGE IDENTIFICATION  
CODES (Continued)**

VID7	VID6	VID5	VID4	VID3	VID2	VID1	VID0	VDAC
0	1	1	0	1	0	0	1	0.95625
0	1	1	0	1	0	1	0	0.95000
0	1	1	0	1	0	1	1	0.94375
0	1	1	0	1	1	0	0	0.93750
0	1	1	0	1	1	0	1	0.93125
0	1	1	0	1	1	1	0	0.92500
0	1	1	0	1	1	1	1	0.91875
0	1	1	1	0	0	0	0	0.91250
0	1	1	1	0	0	0	1	0.90625
0	1	1	1	0	0	1	0	0.90000
0	1	1	1	0	0	1	1	0.89375
0	1	1	1	0	1	0	0	0.88750
0	1	1	1	0	1	0	1	0.88125
0	1	1	1	0	1	1	0	0.87500
0	1	1	1	0	1	1	1	0.86875
0	1	1	1	1	0	0	0	0.86250
0	1	1	1	1	0	0	1	0.85625
0	1	1	1	1	0	1	0	0.85000
0	1	1	1	1	0	1	1	0.84375
0	1	1	1	1	1	0	0	0.83750
0	1	1	1	1	1	0	1	0.83125
0	1	1	1	1	1	1	0	0.82500
0	1	1	1	1	1	1	1	0.81875
1	0	0	0	0	0	0	0	0.81250
1	0	0	0	0	0	0	1	0.80625
1	0	0	0	0	0	1	0	0.80000
1	0	0	0	0	0	1	1	0.79375
1	0	0	0	0	1	0	0	0.78750
1	0	0	0	0	1	0	1	0.78125
1	0	0	0	0	1	1	0	0.77500
1	0	0	0	0	1	1	1	0.76875
1	0	0	0	1	0	0	0	0.76250
1	0	0	0	1	0	0	1	0.75625
1	0	0	0	1	0	1	0	0.75000
1	0	0	0	1	0	1	1	0.74375
1	0	0	0	1	1	0	0	0.73750
1	0	0	0	1	1	0	1	0.73125
1	0	0	0	1	1	1	0	0.72500
1	0	0	0	1	1	1	1	0.71875

**TABLE 3. VR11 VOLTAGE IDENTIFICATION  
CODES (Continued)**

VID7	VID6	VID5	VID4	VID3	VID2	VID1	VID0	VDAC
1	0	0	1	0	0	0	0	0.71250
1	0	0	1	0	0	0	1	0.70625
1	0	0	1	0	0	1	0	0.70000
1	0	0	1	0	0	1	1	0.69375
1	0	0	1	0	1	0	0	0.68750
1	0	0	1	0	1	0	1	0.68125
1	0	0	1	0	1	1	0	0.67500
1	0	0	1	0	1	1	1	0.66875
1	0	0	1	1	0	0	0	0.66250
1	0	0	1	1	0	0	1	0.65625
1	0	0	1	1	0	1	0	0.65000
1	0	0	1	1	0	1	1	0.64375
1	0	0	1	1	1	0	0	0.63750
1	0	0	1	1	1	0	1	0.63125
1	0	0	1	1	1	1	0	0.62500
1	0	0	1	1	1	1	1	0.61875
1	0	1	0	0	0	0	0	0.61250
1	0	1	0	0	0	0	1	0.60625
1	0	1	0	0	0	1	0	0.60000
1	0	1	0	0	0	1	1	0.59375
1	0	1	0	0	1	0	0	0.58750
1	0	1	0	0	1	0	1	0.58125
1	0	1	0	0	1	1	0	0.57500
1	0	1	0	0	1	1	1	0.56875
1	0	1	0	1	0	0	0	0.56250
1	0	1	0	1	0	0	1	0.55625
1	0	1	0	1	0	1	0	0.55000
1	0	1	0	1	0	1	1	0.54375
1	0	1	0	1	1	0	0	0.53750
1	0	1	0	1	1	0	1	0.53125
1	0	1	0	1	1	1	0	0.52500
1	0	1	0	1	1	1	1	0.51875
1	0	1	1	0	0	0	0	0.51250
1	0	1	1	0	0	0	1	0.50625
1	0	1	1	0	0	1	0	0.50000
1	1	1	1	1	1	1	0	OFF
1	1	1	1	1	1	1	1	OFF

**TABLE 4. AMD 5-BIT VOLTAGE IDENTIFICATION CODES**

VID4	VID3	VID2	VID1	VID0	VDAC
1	1	1	1	1	Off
1	1	1	1	0	0.800
1	1	1	0	1	0.825
1	1	1	0	0	0.850
1	1	0	1	1	0.875
1	1	0	1	0	0.900
1	1	0	0	1	0.925
1	1	0	0	0	0.950
1	0	1	1	1	0.975
1	0	1	1	0	1.000
1	0	1	0	1	1.025
1	0	1	0	0	1.050
1	0	0	1	1	1.075
1	0	0	1	0	1.100
1	0	0	0	1	1.125
1	0	0	0	0	1.150
0	1	1	1	1	1.175
0	1	1	1	0	1.200
0	1	1	0	1	1.225
0	1	1	0	0	1.250
0	1	0	1	1	1.275
0	1	0	1	0	1.300
0	1	0	0	1	1.325
0	1	0	0	0	1.350
0	0	1	1	1	1.375
0	0	1	1	0	1.400
0	0	1	0	1	1.425
0	0	1	0	0	1.450
0	0	0	1	1	1.475
0	0	0	1	0	1.500
0	0	0	0	1	1.525
0	0	0	0	0	1.550

**TABLE 5. AMD 6-BIT VOLTAGE IDENTIFICATION CODES**

VID5	VID4	VID3	VID2	VID1	VID0	VDAC
0	0	0	0	0	0	1.5500
0	0	0	0	0	1	1.5250
0	0	0	0	1	0	1.5000
0	0	0	0	1	1	1.4750

**TABLE 5. AMD 6-BIT VOLTAGE IDENTIFICATION CODES (Continued)**

VID5	VID4	VID3	VID2	VID1	VID0	VDAC
0	0	0	1	0	0	1.4500
0	0	0	1	0	1	1.4250
0	0	0	1	1	0	1.4000
0	0	0	1	1	1	1.3750
0	0	1	0	0	0	1.3500
0	0	1	0	0	1	1.3250
0	0	1	0	1	0	1.3000
0	0	1	0	1	1	1.2750
0	0	1	1	0	0	1.2500
0	0	1	1	0	1	1.2250
0	0	1	1	1	0	1.2000
0	0	1	1	1	1	1.1750
0	1	0	0	0	0	1.1500
0	1	0	0	0	1	1.1250
0	1	0	0	1	0	1.1000
0	1	0	0	1	1	1.0750
0	1	0	1	0	0	1.0500
0	1	0	1	0	1	1.0250
0	1	0	1	1	0	1.0000
0	1	0	1	1	1	0.9750
0	1	1	0	0	0	0.9500
0	1	1	0	0	1	0.9250
0	1	1	0	1	0	0.9000
0	1	1	0	1	1	0.8750
0	1	1	1	0	0	0.8500
0	1	1	1	0	1	0.8250
0	1	1	1	1	0	0.8000
0	1	1	1	1	1	0.7750
1	0	0	0	0	0	0.7625
1	0	0	0	0	1	0.7500
1	0	0	0	1	0	0.7375
1	0	0	0	1	1	0.7250
1	0	0	1	0	0	0.7125
1	0	0	1	0	1	0.7000
1	0	0	1	1	0	0.6875
1	0	0	1	1	1	0.6750
1	0	1	0	0	0	0.6625
1	0	1	0	0	1	0.6500
1	0	1	0	1	0	0.6375

**TABLE 5. AMD 6-BIT VOLTAGE IDENTIFICATION CODES (Continued)**

VID5	VID4	VID3	VID2	VID1	VID0	VDAC
1	0	1	0	1	1	0.6250
1	0	1	1	0	0	0.6125
1	0	1	1	0	1	0.6000
1	0	1	1	1	0	0.5875
1	0	1	1	1	1	0.5750
1	1	0	0	0	0	0.5625
1	1	0	0	1	0	0.5500
1	1	0	0	1	1	0.5375
1	1	0	1	0	0	0.5250
1	1	0	1	0	1	0.5125
1	1	0	1	1	0	0.5000
1	1	0	1	1	1	0.4875
1	1	1	0	0	0	0.4625
1	1	1	0	0	1	0.4500
1	1	1	0	1	0	0.4375
1	1	1	0	1	1	0.4250
1	1	1	1	0	0	0.4125
1	1	1	1	0	1	0.4000
1	1	1	1	1	0	0.3875
1	1	1	1	1	1	0.3750

**Voltage Regulation**

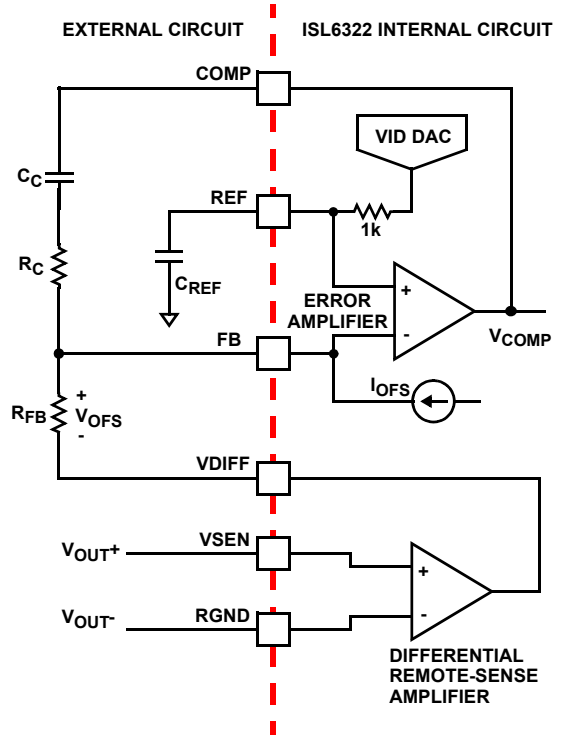
The integrating compensation network shown in Figure 6 insures that the steady-state error in the output voltage is limited only to the error in the reference voltage (output of the DAC) and offset errors in the OFS current source, remote-sense and error amplifiers. Intersil specifies the guaranteed tolerance of the ISL6322G to include the combined tolerances of each of these elements.

The output of the error amplifier,  $V_{COMP}$ , is compared to the triangle waveform to generate the PWM signals. The PWM signals control the timing of the Internal MOSFET drivers and regulate the converter output so that the voltage at FB is equal to the voltage at REF. This will regulate the output voltage to be equal to Equation 8. The internal and external circuitry that controls voltage regulation is illustrated in Figure 6.

$$V_{OUT} = V_{REF} - V_{OFS} \tag{EQ. 8}$$

The ISL6322G incorporates an internal differential remote-sense amplifier in the feedback path. The amplifier removes the voltage error encountered when measuring the output voltage relative to the controller ground reference point

resulting in a more accurate means of sensing output voltage. Connect the microprocessor sense pins to the non-inverting input, VSEN, and inverting input, RGND, of the remote-sense amplifier. The remote-sense output,  $V_{DIFF}$ , is connected to the inverting input of the error amplifier through an external resistor.



**FIGURE 6. OUTPUT VOLTAGE AND LOAD-LINE REGULATION WITH OFFSET ADJUSTMENT**

**Output-Voltage Offset Programming**

The ISL6322G allows the designer to accurately adjust the offset voltage by connecting a resistor,  $R_{OFS}$ , from the OFS pin to VCC or GND. When  $R_{OFS}$  is connected between OFS and VCC, the voltage across it is regulated to 1.6V. This causes a proportional current ( $I_{OFS}$ ) to flow into the FB pin. If  $R_{OFS}$  is connected to ground, the voltage across it is regulated to 0.4V, and  $I_{OFS}$  flows out of the FB pin. The offset current flowing through the resistor between VDIFF and FB will generate the desired offset voltage which is equal to the product ( $I_{OFS} \times R_{FB}$ ). These functions are shown in Figures 7 and 8.

Once the desired output offset voltage has been determined, use Equations 9 and 10 to set  $R_{OFS}$ :

For Negative Offset (connect  $R_{OFS}$  to GND):

$$R_{OFS} = \frac{0.4 \cdot R_{FB}}{V_{OFFSET}} \tag{EQ. 9}$$

For Positive Offset (connect  $R_{OFS}$  to VCC):

$$R_{OFS} = \frac{1.6 \cdot R_{FB}}{V_{OFFSET}} \tag{EQ. 10}$$

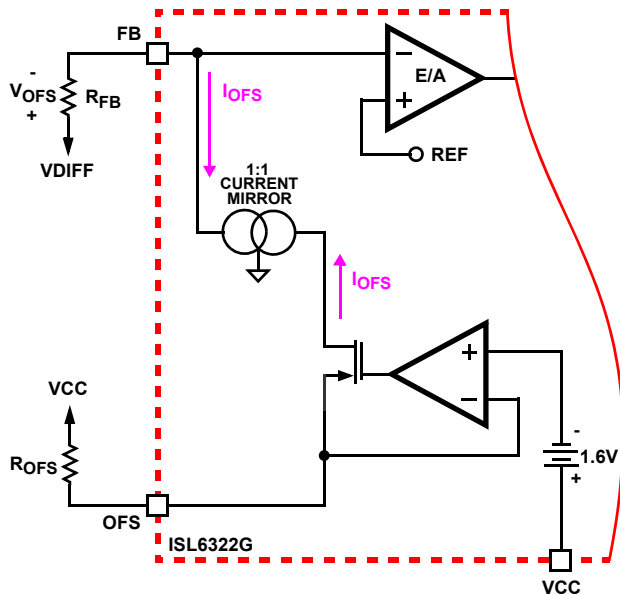


FIGURE 7. POSITIVE OFFSET OUTPUT VOLTAGE PROGRAMMING

**Dynamic VID**

Modern microprocessors need to make changes to their core voltage as part of normal operation. They direct the ISL6322G to do this by making changes to the VID inputs. The ISL6322G is required to monitor the DAC inputs and respond to on-the-fly VID changes in a controlled manner, supervising a safe output voltage transition without discontinuity or disruption. The DAC mode the ISL6322G is operating in determines how the controller responds to a dynamic VID change.

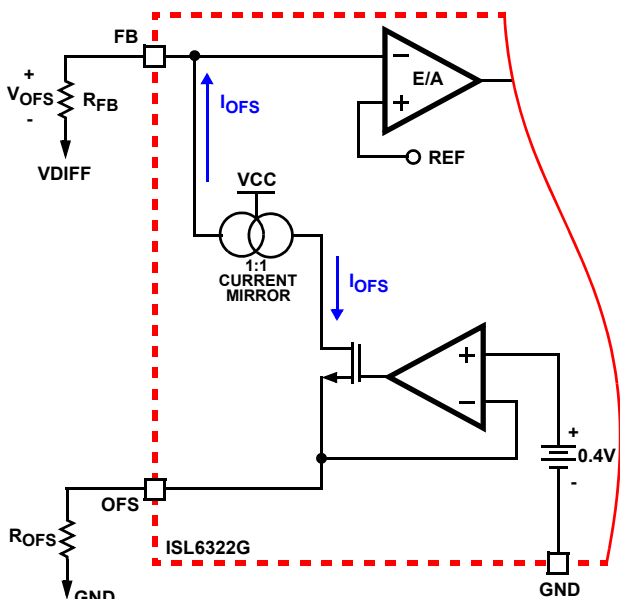


FIGURE 8. NEGATIVE OFFSET OUTPUT VOLTAGE PROGRAMMING

**INTEL DYNAMIC VID TRANSITIONS**

When in Intel VR10 or VR11 mode, the ISL6322G checks the VID inputs on the positive edge of an internal 3MHz clock. If a new code is established and it remains stable for 3 consecutive readings (1µs to 1.33µs), the ISL6322G recognizes the new code and changes the internal DAC reference directly to the new level. The Intel processor controls the VID transitions and is responsible for incrementing or decrementing one VID step at a time. In VR10 and VR11 settings, the ISL6322G will immediately change the internal DAC reference to the new requested value as soon as the request is validated, which means the fastest recommended rate at which a bit change can occur is once every 2µs. In cases where the reference step is too large, the sudden change can trigger overcurrent or overvoltage events.

In order to ensure the smooth transition of output voltage during a VR10 or VR11 VID change, a VID step change smoothing network is required. This network is composed of an internal 1kΩ resistor between the DAC and the REF pin, and the external capacitor C<sub>REF</sub>, between the REF pin and ground. The selection of C<sub>REF</sub> is based on the time duration for 1-bit VID change and the allowable delay time.

Assuming the microprocessor controls the VID change at 1-bit every T<sub>VID</sub>, the relationship between C<sub>REF</sub> and T<sub>VID</sub> is given by Equation 11.

$$C_{REF} = 0.001(S) \cdot T_{VID} \tag{EQ. 11}$$

As an example, for a VID step change rate of 5µs per bit, the value of C<sub>REF</sub> is 5600pF based on Equation 11.

**AMD DYNAMIC VID TRANSITIONS**

When running in AMD 5-bit or 6-bit modes of operation, the ISL6322G responds differently to a dynamic VID change than when in Intel VR10 or VR11 mode. In the AMD modes, the ISL6322G still checks the VID inputs on the positive edge of an internal 3MHz clock. In these modes the VID code can be changed by more than a 1-bit step at a time. If a new code is established and it remains stable for 3 consecutive readings (1µs to 1.33µs), the ISL6322G recognizes the change and begins slewing the DAC in 6.25mV steps at a stepping frequency of 330kHz until the VID and DAC are equal. Thus, the total time required for a VID change, t<sub>DVID</sub>, is dependent only on the size of the VID change (ΔV<sub>VID</sub>).

The time required for a ISL6322G-based converter in AMD 5-bit DAC configuration to make a 1.1V to 1.5V reference voltage change is about 194µs, as calculated using Equation 12.

$$t_{DVID} = \frac{1}{330 \times 10^3} \cdot \left( \frac{\Delta V_{VID}}{0.00625} \right) \tag{EQ. 12}$$

In order to ensure the smooth transition of output voltage during an AMD VID change, a VID step change smoothing network is required. This network is composed of an internal

1kΩ resistor between the DAC and the REF pin, and the external capacitor  $C_{REF}$ , between the REF pin and ground. For AMD VID transitions  $C_{REF}$  should be a 1000pF capacitor.

### User Selectable Adaptive Deadtime Control Techniques

The ISL6322G integrated drivers incorporate two different adaptive deadtime control techniques, which the user can choose between. Both of these control techniques help to minimize deadtime, resulting in high efficiency from the reduced freewheeling time of the lower MOSFET body-diode conduction, and both help to prevent the upper and lower MOSFETs from conducting simultaneously. This is accomplished by ensuring either rising gate turns on its MOSFET with minimum and sufficient delay after the other has turned off.

The difference between the two adaptive deadtime control techniques is the method in which they detect that the lower MOSFET has transitioned off in order to turn on the upper MOSFET. The state of the internal I<sup>2</sup>C registers determines which of the two control techniques is active (refer beginning on page 27 for details of controlling deadtime control with I<sup>2</sup>C). The default setting is PHASE Detect. If the PHASE Detect Scheme is chosen, the voltage on the PHASE pin is monitored to determine if the lower MOSFET has transitioned off or not. Choosing the LGATE Detect Scheme instructs the controller to monitor the voltage on the LGATE pin to determine if the lower MOSFET has turned off or not. For both schemes, the method for determining whether the upper MOSFET has transitioned off in order to signal to turn on the lower MOSFET is the same.

#### PHASE DETECT

For the PHASE detect scheme, during turn-off of the lower MOSFET, the PHASE voltage is monitored until it reaches a -0.3V/+0.8V (forward/reverse inductor current). At this time the UGATE is released to rise. An auto-zero comparator is used to correct the  $r_{DS(ON)}$  drop in the phase voltage preventing false detection of the -0.3V phase level during  $r_{DS(ON)}$  conduction period. In the case of zero current, the UGATE is released after 35ns delay of the LGATE dropping below 0.5V. When LGATE first begins to transition low, this quick transition can disturb the PHASE node and cause a false trip, so there is 20ns of blanking time once LGATE falls until PHASE is monitored.

Once the PHASE is high, the advanced adaptive shoot-through circuitry monitors the PHASE and UGATE voltages during a PWM falling edge and the subsequent UGATE turn-off. If either the UGATE falls to less than 1.75V above the PHASE or the PHASE falls to less than +0.8V, the LGATE is released to turn-on.

#### LGATE DETECT

For the LGATE detect scheme, during turn-off of the lower MOSFET, the LGATE voltage is monitored until it reaches 1.75V. At this time the UGATE is released to rise.

Once the PHASE is high, the advanced adaptive shoot-through circuitry monitors the PHASE and UGATE voltages during a PWM falling edge and the subsequent UGATE turn-off. If either the UGATE falls to less than 1.75V above the PHASE or the PHASE falls to less than +0.8V, the LGATE is released to turn-on.

### Internal Bootstrap Device

All three integrated drivers feature an internal bootstrap schottky diode. Simply adding an external capacitor across the BOOT and PHASE pins completes the bootstrap circuit. The bootstrap function is also designed to prevent the bootstrap capacitor from overcharging due to the large negative swing at the PHASE node. This reduces voltage stress on the boot to phase pins.

The bootstrap capacitor must have a maximum voltage rating above  $PVCC + 4V$  and its capacitance value can be chosen from Equation 13:

$$C_{BOOT\_CAP} \geq \frac{Q_{GATE}}{\Delta V_{BOOT\_CAP}} \quad (EQ. 13)$$

$$Q_{GATE} = \frac{Q_{G1} \cdot PVCC}{V_{GS1}} \cdot N_{Q1}$$

where  $Q_{G1}$  is the amount of gate charge per upper MOSFET at  $V_{GS1}$  gate-source voltage and  $N_{Q1}$  is the number of control MOSFETs. The  $\Delta V_{BOOT\_CAP}$  term is defined as the allowable droop in the rail of the upper gate drive.

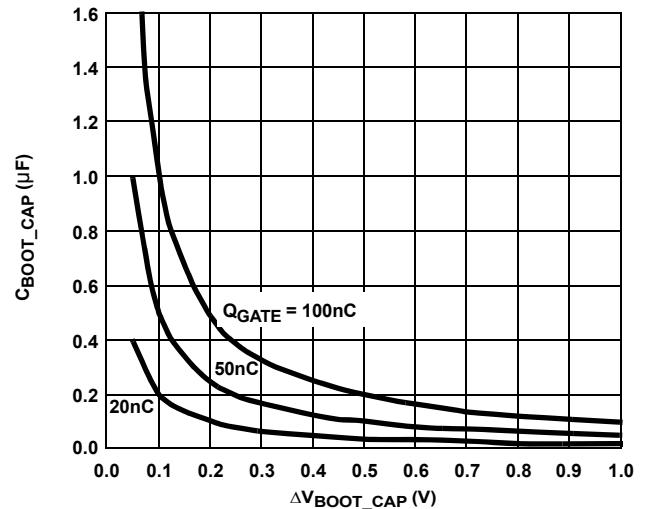


FIGURE 9. BOOTSTRAP CAPACITANCE vs BOOT RIPPLE VOLTAGE

### Gate Drive Voltage Versatility

The ISL6322G provides the user flexibility in choosing the gate drive voltage for efficiency optimization. The controller ties the upper and lower drive rails together. Simply applying a voltage from 5V up to 12V on  $PVCC$  sets both gate drive rail voltages simultaneously.

## Initialization

Prior to initialization, proper conditions must exist on the EN, VCC, PVCC and the VID pins. When the conditions are met, the controller begins soft-start. Once the output voltage is within the proper window of operation, the controller asserts PGOOD.

### Enable and Disable

While in shutdown mode, the PWM outputs are held in a high-impedance state to assure the drivers remain off. The following input conditions must be met, for both Intel and AMD modes of operation, before the ISL6322G is released from shutdown mode to begin the soft-start startup sequence:

1. The bias voltage applied at VCC must reach the internal power-on reset (POR) rising threshold. Once this threshold is reached, proper operation of all aspects of the ISL6322G is guaranteed. Hysteresis between the rising and falling thresholds assure that once enabled, the ISL6322G will not inadvertently turn off unless the bias voltage drops substantially (see “Electrical Specifications” on page 6).
2. The voltage on EN must be above 0.85V. The EN input allows for power sequencing between the controller bias voltage and another voltage rail. The enable comparator holds the ISL6322G in shutdown until the voltage at EN rises above 0.85V. The enable comparator has 110mV of hysteresis to prevent bounce.

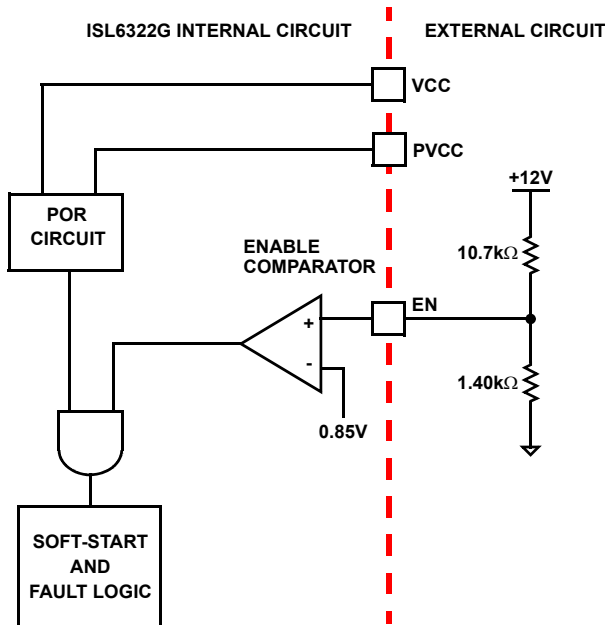


FIGURE 10. POWER SEQUENCING USING THRESHOLD-SENSITIVE ENABLE (EN) FUNCTION

3. The driver bias voltage applied at the PVCC pin must reach the internal power-on reset (POR) rising threshold. Hysteresis between the rising and falling thresholds assure that once enabled, the ISL6322G will not

inadvertently turn off unless the PVCC bias voltage drops substantially (see “Electrical Specifications” on page 6).

For Intel VR10, VR11 and AMD 6-bit modes of operation these are the only conditions that must be met for the controller to immediately begin the soft-start sequence. If running in AMD 5-bit mode of operation there is one more condition that must be met:

4. The VID code must not be 11111 in AMD 5-bit mode. This code signals the controller that no load is present. The controller will not allow soft-start to begin if this VID code is present on the VID pins.

Once all of these conditions are met the controller will begin the soft-start sequence and will ramp the output voltage up to the user designated level.

### Intel Soft-Start

The soft-start function allows the converter to bring up the output voltage in a controlled fashion, resulting in a linear ramp-up. The soft-start sequence for the Intel modes of operation is slightly different than the AMD soft-start sequence.

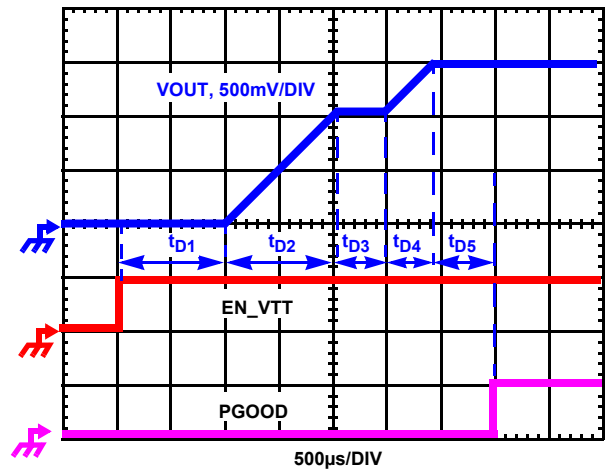


FIGURE 11. INTEL SOFT-START WAVEFORMS

For the Intel VR10 and VR11 modes of operation, the soft-start sequence is composed of four periods, as shown in Figure 11. Once the ISL6322G is released from shutdown and soft-start begins (as described in the “Enable and Disable” on page 22), the controller will have fixed delay period  $t_{D1}$ . After this delay period, the VR will begin first soft-start ramp until the output voltage reaches 1.1V VBOOT voltage. Then, the controller will regulate the VR voltage at 1.1V for another fixed period  $t_{D3}$ . At the end of  $t_{D3}$  period, ISL6322G will read the VID signals. If the VID code is valid, ISL6322G will initiate the second soft-start ramp until the output voltage reaches the VID voltage plus/minus any offset voltage.

The soft-start time is the sum of the four periods as shown in Equation 14.

$$T_{SS} = t_{D1} + t_{D2} + t_{D3} + t_{D4} \quad (\text{EQ. 14})$$

TD1 is a fixed delay with the typical value as 1.40ms. TD3 is determined by the fixed 85µs plus the time to obtain valid VID voltage. If the VID is valid before the output reaches the 1.1V, the minimum time to validate the VID input is 500ns. Therefore the minimum TD3 is about 86µs.

During t<sub>D2</sub> and t<sub>D4</sub>, ISL6322G digitally controls the DAC voltage change at 6.25mV per step. The time for each step is determined by the frequency of the soft-start oscillator which is defined by the resistor R<sub>SS</sub> from SS pin to GND. The second soft-start ramp time t<sub>D2</sub> and t<sub>D4</sub> can be calculated based on Equations 15 and 16:

$$t_{D2} = \frac{1.1 \cdot R_{SS}}{6.25 \cdot 25} (\mu s) \tag{EQ. 15}$$

$$t_{D4(2)} = \frac{|(V_{VID} - 1.1)| \cdot R_{SS}}{6.25 \cdot 25} (\mu s) \tag{EQ. 16}$$

For example, when VID is set to 1.5V and the R<sub>SS</sub> is set at 100kΩ, the first soft-start ramp time t<sub>D2</sub> will be 704µs and the second soft-start ramp time t<sub>D4</sub> will be 256µs.

NOTE: If the SS pin is grounded, the soft-start ramp in t<sub>D2</sub> and t<sub>D4</sub> will be defaulted to a 6.25mV step frequency of 330kHz.

After the DAC voltage reaches the final VID setting, PGOOD will be set to high with the fixed delay t<sub>D5</sub>. The typical value for t<sub>D5</sub> is 440µs.

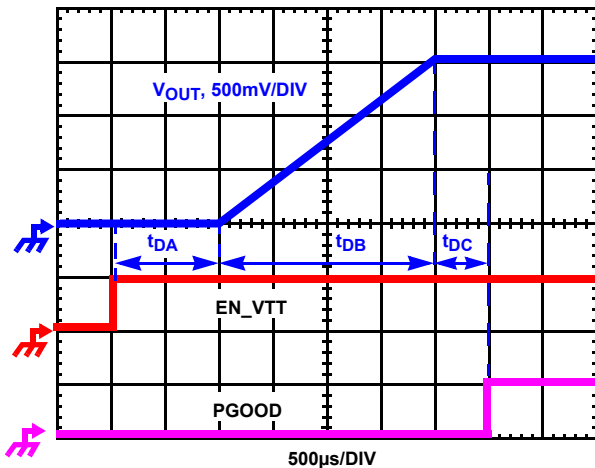


FIGURE 12. AMD SOFT-START WAVEFORMS

**AMD Soft-Start**

For the AMD 5-bit and 6-bit modes of operation, the soft-start sequence is composed of three periods, as shown in Figure 12. At the beginning of soft-start, the VID code is immediately obtained from the VID pins, followed by a fixed delay period t<sub>DA</sub>. After this delay period the ISL6322G will begin ramping the output voltage to the desired DAC level at a fixed rate of 6.25mV per step, with a stepping frequency of 330kHz. The amount of time required to ramp the output

voltage to the final DAC voltage is referred to as TDB, and can be calculated as shown in Equation 17.

$$TDB = \frac{1}{330 \times 10^3} \cdot \left( \frac{V_{VID}}{0.00625} \right) \tag{EQ. 17}$$

After the DAC voltage reaches the final VID setting, PGOOD will be set to high with the fixed delay t<sub>DC</sub>. The typical value for t<sub>DC</sub> can range between 1.5ms and 3.0ms.

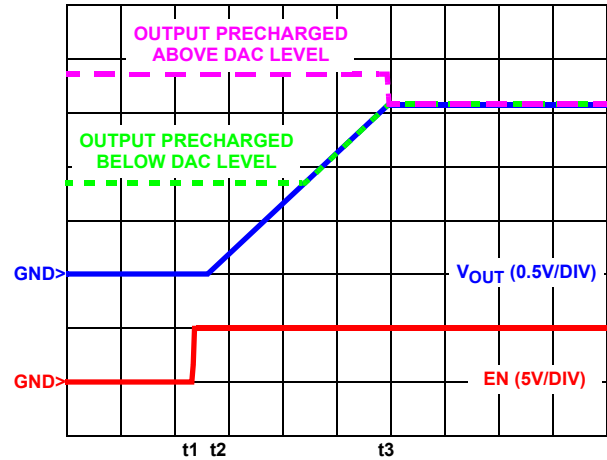


FIGURE 13. SOFT-START WAVEFORMS FOR ISL6322G-BASED MULTIPHASE CONVERTER

**Pre-Biased Soft-Start**

The ISL6322G also has the ability to start up into a pre-charged output, without causing any unnecessary disturbance. The FB pin is monitored during soft-start, and should it be higher than the equivalent internal ramping reference voltage, the output drives hold both MOSFETs off. Once the internal ramping reference exceeds the FB pin potential, the output drives are enabled, allowing the output to ramp from the pre-charged level to the final level dictated by the DAC setting. Should the output be pre-charged to a level exceeding the DAC setting, the output drives are enabled at the end of the soft-start period, leading to an abrupt correction in the output voltage down to the DAC-set level.

**Fault Monitoring and Protection**

The ISL6322G actively monitors output voltage and current to detect fault conditions. Fault monitors trigger protective measures to prevent damage to a microprocessor load. One common power good indicator is provided for linking to external system monitors. The schematic in Figure 14 outlines the interaction between the fault monitors and the power good signal.

**Power Good Signal**

The power good pin (PGOOD) is an open-drain logic output that signals whether or not the ISL6322G is regulating the output voltage within the proper levels, and whether any fault

conditions exist. This pin should be tied to a +5V source through a resistor.

During shutdown and soft-start PGOOD pulls low and releases high after a successful soft-start and the output voltage is operating between the undervoltage and overvoltage limits. PGOOD transitions low when an undervoltage, overvoltage, or overcurrent condition is detected or when the controller is disabled by a reset from EN, POR, or one of the no-CPU VID codes. In the event of an overvoltage or overcurrent condition, the controller latches off and PGOOD will not return high until after a successful soft-start. In the case of an undervoltage event, PGOOD will return high when the output voltage returns to within the undervoltage.

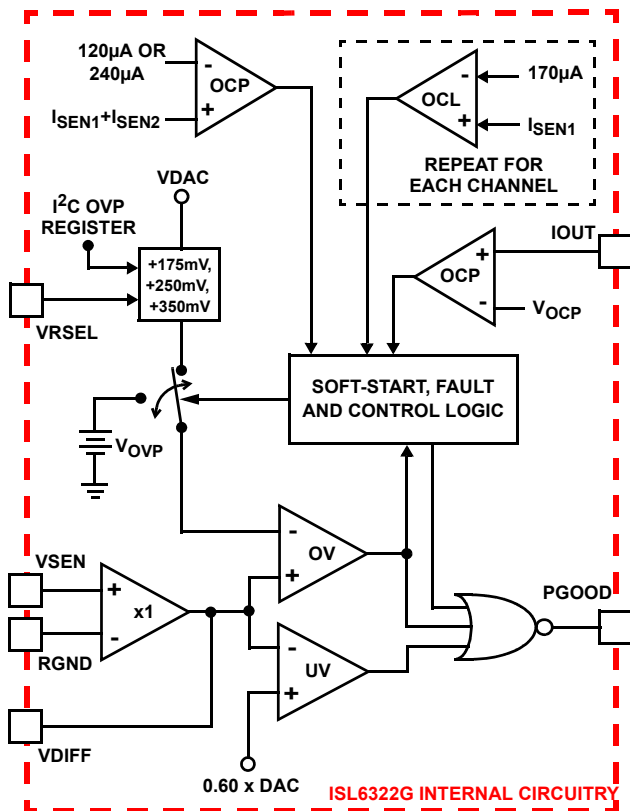


FIGURE 14. POWER GOOD AND PROTECTION CIRCUITRY

**Undervoltage Detection**

The undervoltage threshold is set at 60% of the VID code. When the output voltage (VSEN - RGND) is below the undervoltage threshold, PGOOD gets pulled low. No other action is taken by the controller. PGOOD will return high if the output voltage rises above 70% of the VID code.

**Overvoltage Protection**

The ISL6322G constantly monitors the sensed output voltage on the VDIFF pin to detect if an overvoltage event occurs. When the output voltage rises above the OVP trip level actions are taken by the ISL6322G to protect the microprocessor load. The overvoltage protection trip level

changes depending on what mode of operation the controller is in and what state the I<sup>2</sup>C registers and the VRSEL pin are in. Tables 6 and 7 list what the OVP trip levels are under all conditions (refer beginning on page 24 for details of controlling OVP thresholds with I<sup>2</sup>C).

At the inception of an overvoltage event LGATE1 and LGATE2 are commanded high and the PGOOD signal is driven low. This turns on the all of the lower MOSFETs and pulls the output voltage below a level that might cause damage to the load. The LGATE outputs remain high and until VDIFF falls 100mV below the OVP threshold that tripped the overvoltage protection circuitry. The ISL6322G will continue to protect the load in this fashion as long as the overvoltage condition recurs.

Once an overvoltage condition ends, the ISL6322G latches off and must be reset by toggling EN, or through POR, before a soft-start can be re-initiated.

TABLE 6. INTEL VR10 AND VR11 OVP THRESHOLDS

MODE OF OPERATION	DEFAULT	ALTERNATE
Soft-Start (t <sub>D1</sub> and t <sub>D2</sub> )	1.280V and VDAC + 250mV (higher of the two)	1.280V and VDAC + 175mV (higher of the two)
Soft-Start (t <sub>D3</sub> and t <sub>D4</sub> )	VDAC + 250mV	VDAC + 175mV
Normal Operation	VDAC + 250mV	VDAC + 175mV

TABLE 7. AMD OVP THRESHOLDS

MODE OF OPERATION	DEFAULT	ALTERNATE
Soft-Start	2.200V and VDAC + 250mV (higher of the two)	2.200V and VDAC + 175mV (higher of the two)
Normal Operation	VDAC + 250mV	VDAC + 175mV

One exception that overrides the overvoltage protection circuitry is a dynamic VID transition in AMD modes of operation. If a new VID code is detected during normal operation, the OVP protection circuitry is disabled from the beginning of the dynamic VID transition, until 50µs after the internal DAC reaches the final VID setting. This is the only time during operation of the ISL6322G that the OVP circuitry is not active.

**Pre-POR Overvoltage Protection**

Prior to PVCC and VCC exceeding their POR levels, the ISL6322G is designed to protect the load from any overvoltage events that may occur. This is accomplished by means of an internal 10kΩ resistor tied from PHASE to LGATE, which turns on the lower MOSFET to control the output voltage until the overvoltage event ceases or the input power supply cuts off. For complete protection, the low side



MOSFET should have a gate threshold well below the maximum voltage rating of the load/microprocessor.

In the event that during normal operation the PVCC or VCC voltage falls back below the POR threshold, the pre-POR overvoltage protection circuitry reactivates to protect from any more pre-POR overvoltage events.

### Open Sense Line Prevention

In the case that either of the remote sense lines, VSEN or GND, become open, the ISL6322G is designed to prevent the controller from regulating. This is accomplished by means of a small 5µA pull-up current on VSEN, and a pull-down current on RGND. If the sense lines are opened at any time, the voltage difference between VSEN and RGND will increase until an overvoltage event occurs, at which point overvoltage protection activates and the controller stops regulating. The ISL6322G will be latched off and cannot be restarted until the controller is reset.

### Overcurrent Protection

The ISL6322G takes advantage of the proportionality between the load current and the total channel sense current,  $I_{SEN1} + I_{SEN2}$ , to detect an overcurrent condition. Two different methods of detecting overcurrent events are available on the ISL6322G. The first method continually compares the average sense current with an OCP reference current as shown in Figure 14. The value of the OCP reference current is dependant upon the number of channels operating. If the controller is operating in 2-phase mode the OCP reference current is 240µA. If the controller is operating in single phase mode the OCP reference current is 120µA. This ensures that the OCP trip current scales properly with the number of channels firing. Once the total sense current exceeds the OCP reference current, a comparator triggers the converter to begin overcurrent protection procedures.

This first method for detecting overcurrent events limits the minimum overcurrent trip threshold because of the fact the ISL6322G uses set internal  $R_{ISEN}$  current sense resistors. For this first method the minimum overcurrent trip threshold is dictated by the DCR of the inductors and the number of active channels. To calculate the minimum overcurrent trip level,  $I_{OCP,min}$ , use Equation 18, where N is the number of active channels, DCR is the individual inductor's DCR, and  $R_{ISEN}$  is the 300Ω internal current sense resistor.

$$I_{OCP,min} = \frac{120 \cdot 10^{-6} \cdot R_{ISEN} \cdot N}{DCR} \quad (\text{EQ. 18})$$

If the desired overcurrent trip level is greater than the minimum overcurrent trip level,  $I_{OCP,min}$ , then the resistor divider R-C circuit around the inductor shown in Figure 15 should be used to set the desired trip level.

$$I_{OCP} = \left( \frac{120 \cdot 10^{-6} \cdot R_{ISEN} \cdot N}{DCR} \right) \cdot \left( \frac{R_1 + R_2}{R_2} \right) \quad (\text{EQ. 19})$$

$$I_{OCP} > I_{OCP,min}$$

If an overcurrent trip level lower than  $I_{OCP,min}$  is desired, then a second method for setting the OCP trip level is available.

The second method for detecting overcurrent events continuously compares the voltage on the IOUT pin,  $V_{IOUT}$ , to the overcurrent protection voltage,  $V_{OCP}$ , as shown in Figure 14. The total channel sense current flows out the IOUT pin and through  $R_{IOUT}$ , creating the IOUT pin voltage which is proportional to the output current. When the IOUT pin voltage exceeds the  $V_{OCP}$  voltage of 2.0V, the overcurrent protection circuitry activates. Since the IOUT pin voltage is proportional to the output current, the overcurrent trip level,  $I_{OCP}$ , can be set by selecting the proper value for  $R_{IOUT}$ , as shown in Equation 20.

$$I_{OCP} = \frac{V_{OCP} \cdot R_{ISEN}}{DCR \cdot R_{IOUT}} \quad I_{OCP} < I_{OCP,min} \quad (\text{EQ. 20})$$

Once the output current exceeds the overcurrent trip level,  $V_{IOUT}$  will exceed  $V_{OCP}$  and a comparator will trigger the converter to begin overcurrent protection procedures.

At the beginning of overcurrent shutdown, the controller sets all of the UGATE and LGATE signals low and forces PGOOD low. This turns off all of the upper and lower MOSFETs. The system remains in this state for a fixed period of 12ms. If the controller is still enabled at the end of this wait period, it will attempt a soft-start. If the fault remains, the trip-retry cycles will continue indefinitely until either the controller is disabled or the fault is cleared. Note that the energy delivered during trip-retry cycling is much less than during full-load operation, so there is no thermal hazard.

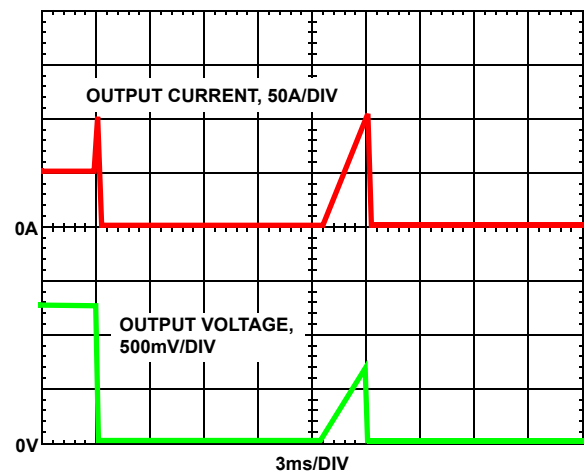


FIGURE 15. OVERCURRENT BEHAVIOR IN HICCUP MODE

### Individual Channel Overcurrent Limiting

The ISL6322G has the ability to limit the current in each individual channel without shutting down the entire regulator.

This is accomplished by continuously comparing the sensed currents of each channel with a constant 170 $\mu$ A OCL reference current as shown in Figure 14. If a channel's individual sensed current exceeds this OCL limit, the UGATE signal of that channel is immediately forced low, and the LGATE signal is forced high. This turns off the upper MOSFET(s), turns on the lower MOSFET(s), and stops the rise of current in that channel, forcing the current in the channel to decrease. That channel's UGATE signal will not be able to return high until the sensed channel-current falls back below the 170 $\mu$ A reference.

## I<sup>2</sup>C Bus Interface

The ISL6322G includes an I<sup>2</sup>C bus interface which allows for user programmability of five of the controller's operating parameters. The operating parameters that can be adjusted through the I<sup>2</sup>C are:

1. **Number of Phases Firing:** Selects whether the controller should run in single phase or 2-phase mode. The EN\_PH2 pin must be tied low for the number of phases firing to be controlled by the I<sup>2</sup>C bus interface.
2. **Voltage Margining Offset:** The output voltage can be positively offset up to +787.5mV in 12.5mV increments.
3. **Adaptive Deadtime Control:** Selects between LGATE Detect and PHASE Detect deadtime control schemes as described in the "User Selectable Adaptive Deadtime Control Techniques" on page 21.
4. **Overvoltage Trip Level:** Selects the overvoltage protection trip threshold as described in the "Overvoltage Protection" on page 24.
5. **Switching Frequency:** The switching frequency can be increased by a fixed +15% or +30%, or can be decreased by -15% or -30%.

To adjust these five parameters, data transmission from the main microprocessor to the ISL6322G and vice versa must take place through the two wire I<sup>2</sup>C bus interface. The two wires of the I<sup>2</sup>C bus consist of the SDA line, over which all data is sent, and the SCL line, which is a clock signal used to synchronize sending/receiving of the data.

Both SDA and SCL are bidirectional lines, externally connected to a positive supply voltage via a pull-up resistor. Pull-up resistor values should be chosen to limit the input current to less than 3mA. When the bus is free, both lines are HIGH. The output stages of ISL6322G have an open drain/open collector in order to perform the wired-AND function. Data on the I<sup>2</sup>C bus can be transferred up to 100kbps in the standard-mode or up to 400Kbps in the fast-mode. The level of logic "0" and logic "1" is dependent on associated value of V<sub>DD</sub> as per the "Electrical Specifications" table on page 6. One clock pulse is generated for each data bit transferred. The ISL6322G is a "SLAVE only" device, so the SCL line must always be controlled by an external master.

It is important to note that the I<sup>2</sup>C interface of the ISL6322G only works once the voltage on the VCC pin has risen above the POR rising threshold. The I<sup>2</sup>C will continue to remain

active until the voltage on the VCC pin falls back below the falling POR threshold level.

### Data Validity

The data on the SDA line must be stable during the HIGH period of the SCL, unless generating a START or STOP condition. The HIGH or LOW state of the data line can only change when the clock signal on the SCL line is LOW. Refer to Figure 16.

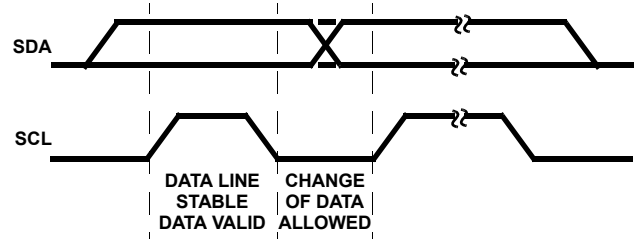


FIGURE 16. DATA VALIDITY

### START and STOP Conditions

As shown in Figure 17, a START (S) condition is a HIGH to LOW transition of the SDA line while SCL is HIGH.

The STOP (P) condition is a LOW to HIGH transition on the SDA line while SCL is HIGH. A STOP condition must be sent before each START condition.

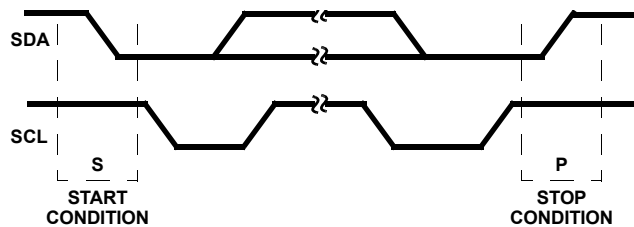


FIGURE 17. START AND STOP WAVEFORMS

### Byte Format

Every byte put on the SDA line must be eight bits long. The number of bytes that can be transmitted per transfer is unrestricted. Each byte has to be followed by an acknowledge bit. Data is transferred with the most significant bit first (MSB) and the least significant bit last (LSB).

### Acknowledge

Each address and data transmission uses 9-clock pulses. The ninth pulse is the acknowledge bit (A). After the start condition, the master sends 7-slave address bits and a R/W bit during the next 8-clock pulses. During the ninth clock pulse, the device that recognizes its own address holds the data line low to acknowledge. The acknowledge bit is also used by both the master and the slave to acknowledge receipt of register addresses and data as described as follows.

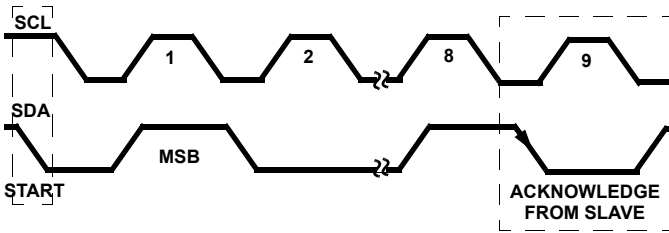


FIGURE 18. ACKNOWLEDGE ON THE I<sup>2</sup>C BUS

### ISL6322G I<sup>2</sup>C Slave Address

All devices on the I<sup>2</sup>C bus must have a 7-bit I<sup>2</sup>C address in order to be recognized. The ISL6322G has two user selectable addresses to ensure it does not interfere with other devices on the bus. The address is programmed via the R<sub>SS</sub> resistor on the SS/RST/A0 pin. Placing the R<sub>SS</sub> resistor from the SS/RST/A0 pin to ground sets the I<sup>2</sup>C address to be 1000\_110. If the R<sub>SS</sub> resistor is placed from the SS/RST/A0 pin to VCC the address is 1000\_111.

Please note that the I<sup>2</sup>C address of the ISL6322G is programmed from the SS/RST/A0 pin as soon as VCC rises above the POR threshold. The ISL6322G's I<sup>2</sup>C address stays the same and can not be reprogrammed until VCC falls back below the POR falling threshold.

### Communicating Over the I<sup>2</sup>C Bus

Two transactions are supported on the I<sup>2</sup>C interface:

1. Write register,
2. Read register from current address.

All transactions start with a control byte sent from the I<sup>2</sup>C master device. The control byte begins with a Start condition, followed by 7-bits of slave address. The last bit sent by the master is the R/W bit and is 0 for a write or 1 for a read. If any slaves on the I<sup>2</sup>C bus recognize their address, they will Acknowledge by pulling the serial data line low for the last clock cycle in the control byte. If no slaves exist at that address or are not ready to communicate, the data line will be 1, indicating a Not Acknowledge condition.

Once the control byte is sent, and the ISL6322G acknowledges it, the 2nd byte sent by the master must be a register address byte. This register address byte tells the ISL6322G which one of the two internal registers it wants to write to or read from. The address of the first internal register, RGS1, is 0000\_0000. This register sets the Voltage Margining Offset. The address of the second internal register, RGS2, is 0000\_0001. This register sets the Adaptive Deadtime Control, Overvoltage Protection, and Switching Frequency parameters. Once the ISL6322G receives a correct register address byte, it responds with an acknowledge.

### Writing to the Internal Registers

In order to change any of the four operating parameters via the I<sup>2</sup>C bus, the internal registers must be written to. The two registers inside the ISL6322G can be written individually with

two separate write transactions or sequentially with one write transaction by sending two data bytes as described below.

To write to a single register in the ISL6322G, the master sends a control byte with the R/W bit set to 0, indicating a write. If it receives an Acknowledge from the ISL6322G, it sends a register address byte representing the internal register it wants to write to (0000\_0000 for RGS1 or 0000\_0001 for RGS2). The ISL6322G will respond with an Acknowledge. The master then sends a byte representing the data byte to be written into the desired register. The ISL6322G will respond with an Acknowledge. The master then issues a Stop condition, indicating to the ISL6322G that the current transaction is complete. Once this transaction completes, the ISL6322G will immediately update and change the operating parameters on-the-fly.

It is also possible to write to both registers sequentially. To do this the master must write to register RGS1 first. This transaction begins with the master sending a control byte with the R/W bit set to 0. If it receives an Acknowledge from the ISL6322G, it sends the register address byte 0000\_0000, representing the internal register RGS1. The ISL6322G will respond with an Acknowledge. After sending the data byte to RGS1 and receiving an Acknowledge from the ISL6322G, instead of sending a Stop condition, the master sends the data byte to be stored in register RGS2. The ISL6322G will respond with an Acknowledge. The master then issues a Stop condition, indicating to the ISL6322G that the current transaction is complete. Once this transaction completes the ISL6322G will immediately update and change the operating parameters on-the-fly.

## I<sup>2</sup>C Read and Write Protocol

Write to a Single Register

S	slave_addr + W	A	reg_addr	A	reg_data	A	P
---	----------------	---	----------	---	----------	---	---

Write to Both Registers

S	slave_addr + W	A	0000_0000	A	reg_RGS1_data	A	reg_RGS2_data	A	P
---	----------------	---	-----------	---	---------------	---	---------------	---	---

Read from a Single Register

S	slave_addr + W	A	reg_addr	A	P	S	slave_addr + R	A	reg_data	N	P
---	----------------	---	----------	---	---	---	----------------	---	----------	---	---

Read from Both Registers

S	slave_addr + W	A	0000_0000	A	P	S	slave_addr + R	A	reg_RGS1_data	A	reg_RGS2_data	N	P
---	----------------	---	-----------	---	---	---	----------------	---	---------------	---	---------------	---	---

 Driven by Master      S = START Condition      A = Acknowledge

 Driven by ISL6322      P = STOP Condition      N = No Acknowledge

### Reading from the Internal Registers

The ISL6322G has the ability to read from both registers separately or read from them consecutively. Prior to reading from an internal register, the master must first select the desired register by writing to it and sending the register's address byte. This process begins by the master sending a control byte with the R/W bit set to 0, indicating a write. Once it receives an Acknowledge from the ISL6322G, it sends a register address byte representing the internal register it wants to read from (0000\_0000 for RGS1 or 0000\_0001 for RGS2). The ISL6322G will respond with an Acknowledge. The master must then respond with a Stop condition. After the Stop condition, the master follows with a new Start condition, and then sends a new control byte with the R/W bit set to 1, indicating a read. The ISL6322G will then respond by sending the master an Acknowledge, followed by the data byte stored in that register. The master must then send a Not Acknowledge followed by a Stop command, which will complete the read transaction.

It is also possible for both registers to be read consecutively. To do this the master must read from register RGS1 first. This transaction begins with the master sending a control byte with the R/W bit set to 0. If it receives an Acknowledge from the ISL6322G, it sends the register address byte 0000\_0000, representing the internal register RGS1. The ISL6322G will respond with an Acknowledge. The master must then respond with a Stop condition. After the Stop condition the master follows with a new Start condition, and then sends a new control byte with the R/W bit set to 1, indicating a read. The ISL6322G will then respond by sending the master an Acknowledge, followed by the data byte stored in register RGS. The master must then send an Acknowledge, and after doing so, the ISL6322G will respond by sending the data byte stored in register RGS2. The master must then send a Not Acknowledge followed by a Stop command, which will complete the read transaction.

### Resetting the Internal Registers

The ISL6322G's two internal I<sup>2</sup>C registers always initialize to 0000\_0000 when the controller first receives power. Once the voltage on the VCC pin rises above the POR rising threshold level, these registers can be changed at any time via the I<sup>2</sup>C interface. If the voltage on the VCC pin falls below the POR falling threshold, the internal registers are automatically reset to 0000\_0000.

It is possible to reset the internal registers without powering down the controller and without requiring the controller to stop regulating and soft-start again. This can be done by one of two methods. The first method is to simply write to the internal registers over the I<sup>2</sup>C interface to be 0000\_0000. The other method is pull the voltage on the SS/RST/A0 pin down below 0.4V. This will immediately reset the internal registers to 0000\_0000 and will not stop the controller from regulating the output voltage or cause soft-start to recycle.

**TABLE 8. REGISTER RGS1 (VOLTAGE MARGINING OFFSET)**

BIT7	BIT6	BIT5	BIT4	BIT3	BIT2	BIT1	BIT0	V <sub>OFFSET</sub> (mV)
X	X	VO5	VO4	VO3	VO2	VO1	VO0	
x	x	0	0	0	0	0	0	0.0
x	x	0	0	0	0	0	1	12.5
x	x	0	0	0	0	1	0	25.0
x	x	0	0	0	0	1	1	37.5
x	x	0	0	0	1	0	0	50.00
x	x	0	0	0	1	0	1	62.5
x	x	0	0	0	1	1	0	75.0
x	x	0	0	0	1	1	1	87.5
x	x	0	0	1	0	0	0	100.0
x	x	0	0	1	0	0	1	112.5

TABLE 8. REGISTER RGS1 (VOLTAGE MARGINING OFFSET) (Continued)

BIT7	BIT6	BIT5	BIT4	BIT3	BIT2	BIT1	BIT0	V <sub>OFFSET</sub> (mV)
X	X	VO5	VO4	VO3	VO2	VO1	VO0	
x	x	0	0	1	0	1	0	125.0
x	x	0	0	1	0	1	1	137.5
x	x	0	0	1	1	0	0	150.0
x	x	0	0	1	1	0	1	162.5
x	x	0	0	1	1	1	0	175.0
x	x	0	0	1	1	1	1	187.5
x	x	0	1	0	0	0	0	200.00
x	x	0	1	0	0	0	1	212.5
x	x	0	1	0	0	1	0	225.0
x	x	0	1	0	0	1	1	237.5
x	x	0	1	0	1	0	0	250.0
x	x	0	1	0	1	0	1	262.5
x	x	0	1	0	1	1	0	275.0
x	x	0	1	0	1	1	1	287.5
x	x	0	1	1	0	0	0	300.0
x	x	0	1	1	0	0	1	312.5
x	x	0	1	1	0	1	0	325.0
x	x	0	1	1	0	1	1	337.5
x	x	0	1	1	1	0	0	350.0
x	x	0	1	1	1	0	1	362.5
x	x	0	1	1	1	1	0	375.0
x	x	0	1	1	1	1	1	387.5
x	x	1	0	0	0	0	0	400.0
x	x	1	0	0	0	0	1	412.5
x	x	1	0	0	0	1	0	425.0
x	x	1	0	0	0	1	1	437.5
x	x	1	0	0	1	0	0	450.0
x	x	1	0	0	1	0	1	462.5
x	x	1	0	0	1	1	0	475.0
x	x	1	0	0	1	1	1	487.5
x	x	1	0	1	0	0	0	500.0
x	x	1	0	1	0	0	1	512.5
x	x	1	0	1	0	1	0	525.0
x	x	1	0	1	0	1	1	537.5
x	x	1	0	1	1	0	0	550.0
x	x	1	0	1	1	0	1	562.5
x	x	1	0	1	1	1	0	575.0
x	x	1	0	1	1	1	1	587.5

TABLE 8. REGISTER RGS1 (VOLTAGE MARGINING OFFSET) (Continued)

BIT7	BIT6	BIT5	BIT4	BIT3	BIT2	BIT1	BIT0	V <sub>OFFSET</sub> (mV)
X	X	VO5	VO4	VO3	VO2	VO1	VO0	
x	x	1	1	0	0	0	0	600.0
x	x	1	1	0	0	0	1	612.5
x	x	1	1	0	0	1	0	625.0
x	x	1	1	0	0	1	1	637.5
x	x	1	1	0	1	0	0	650.0
x	x	1	1	0	1	0	1	662.5
x	x	1	1	0	1	1	0	675.0
x	x	1	1	0	1	1	1	687.5
x	x	1	1	1	0	0	0	700.0
x	x	1	1	1	0	0	1	712.5
x	x	1	1	1	0	1	0	725.0
x	x	1	1	1	0	1	1	737.5
x	x	1	1	1	1	0	0	750.0
x	x	1	1	1	1	0	1	762.5
x	x	1	1	1	1	1	0	775.0
x	x	1	1	1	1	1	1	787.5

**TABLE 9. REGISTER RGS2 (# OF PHASES/ADAPTIVE DEADTIME CONTROL/OVERVOLTAGE PROTECTION/SWITCHING FREQUENCY)**

BIT7	BIT6	BIT5	BIT4	BIT3	BIT2	BIT1	BIT0	NUMBER OF CHANNELS	ADAPTIVE DEADTIME CONTROL	OVERVOLTAGE PROTECTION LEVEL	SWITCHING FREQUENCY
X	CH0	DT1	DT0	OVP	FS2	FS1	FS0				
x	0	0	0	0	0	0	0	2-Phase	PHASE DETECT	DEFAULT	NOMINAL
x	0	0	0	0	0	0	1	2-Phase	PHASE DETECT	DEFAULT	-15%
x	0	0	0	0	0	1	0	2-Phase	PHASE DETECT	DEFAULT	-30%
x	0	0	0	0	0	1	1	2-Phase	PHASE DETECT	DEFAULT	+15%
x	0	0	0	0	1	0	0	2-Phase	PHASE DETECT	DEFAULT	+30%
x	0	0	0	1	0	0	0	2-Phase	PHASE DETECT	ALTERNATE	NOMINAL
x	0	0	0	1	0	0	1	2-Phase	PHASE DETECT	ALTERNATE	-15%
x	0	0	0	1	0	1	0	2-Phase	PHASE DETECT	ALTERNATE	-30%
x	0	0	0	1	0	1	1	2-Phase	PHASE DETECT	ALTERNATE	+15%
x	0	0	0	1	1	0	0	2-Phase	PHASE DETECT	ALTERNATE	+30%
x	0	0	1	0	0	0	0	2-Phase	LGATE DETECT	DEFAULT	NOMINAL
x	0	0	1	0	0	0	1	2-Phase	LGATE DETECT	DEFAULT	-15%
x	0	0	1	0	0	1	0	2-Phase	LGATE DETECT	DEFAULT	-30%
x	0	0	1	0	0	1	1	2-Phase	LGATE DETECT	DEFAULT	+15%
x	0	0	1	0	1	0	0	2-Phase	LGATE DETECT	DEFAULT	+30%
x	0	0	1	1	0	0	0	2-Phase	LGATE DETECT	ALTERNATE	NOMINAL
x	0	0	1	1	0	0	1	2-Phase	LGATE DETECT	ALTERNATE	-15%
x	0	0	1	1	0	1	0	2-Phase	LGATE DETECT	ALTERNATE	-30%
x	0	0	1	1	0	1	1	2-Phase	LGATE DETECT	ALTERNATE	+15%
x	0	0	1	1	1	0	0	2-Phase	LGATE DETECT	ALTERNATE	+30%
x	1	0	0	0	0	0	0	1-Phase	PHASE DETECT	DEFAULT	NOMINAL
x	1	0	0	0	0	0	1	1-Phase	PHASE DETECT	DEFAULT	-15%
x	1	0	0	0	0	1	0	1-Phase	PHASE DETECT	DEFAULT	-30%
x	1	0	0	0	0	1	1	1-Phase	PHASE DETECT	DEFAULT	+15%
x	1	0	0	0	1	0	0	1-Phase	PHASE DETECT	DEFAULT	+30%
x	1	0	0	1	0	0	0	1-Phase	PHASE DETECT	ALTERNATE	NOMINAL
x	1	0	0	1	0	0	1	1-Phase	PHASE DETECT	ALTERNATE	-15%
x	1	0	0	1	0	1	0	1-Phase	PHASE DETECT	ALTERNATE	-30%
x	1	0	0	1	0	1	1	1-Phase	PHASE DETECT	ALTERNATE	+15%
x	1	0	0	1	1	0	0	1-Phase	PHASE DETECT	ALTERNATE	+30%
x	1	0	1	0	0	0	0	1-Phase	LGATE DETECT	DEFAULT	NOMINAL
x	1	0	1	0	0	0	1	1-Phase	LGATE DETECT	DEFAULT	-15%
x	1	0	1	0	0	1	0	1-Phase	LGATE DETECT	DEFAULT	-30%
x	1	0	1	0	0	1	1	1-Phase	LGATE DETECT	DEFAULT	+15%
x	1	0	1	0	1	0	0	1-Phase	LGATE DETECT	DEFAULT	+30%
x	1	0	1	1	0	0	0	1-Phase	LGATE DETECT	ALTERNATE	NOMINAL
x	1	0	1	1	0	0	1	1-Phase	LGATE DETECT	ALTERNATE	-15%
x	1	0	1	1	0	1	0	1-Phase	LGATE DETECT	ALTERNATE	-30%

**TABLE 9. REGISTER RGS2 (# OF PHASES/ADAPTIVE DEADTIME CONTROL/OVERVOLTAGE PROTECTION/SWITCHING FREQUENCY) (Continued)**

BIT7	BIT6	BIT5	BIT4	BIT3	BIT2	BIT1	BIT0	NUMBER OF CHANNELS	ADAPTIVE DEADTIME CONTROL	OVERVOLTAGE PROTECTION LEVEL	SWITCHING FREQUENCY
X	CH0	DT1	DT0	OVP	FS2	FS1	FS0				
x	1	0	1	1	0	1	1	1-Phase	LGATE DETECT	ALTERNATE	+15%
x	1	0	1	1	1	0	0	1-Phase	LGATE DETECT	ALTERNATE	+30%

NOTE: It is recommended that frequency shifts occur in 15% increments only.

## General Design Guide

This section is intended to provide a high-level explanation of the steps necessary to create a multiphase power converter. It is assumed that the reader is familiar with many of the basic skills and techniques referenced in the following. In addition to this guide, Intersil provides complete reference designs that include schematics, bills of materials, and example board layouts for all common microprocessor applications.

### Power Stages

The first step in designing a multiphase converter is to determine the number of phases. This determination depends heavily on the cost analysis, which in turn depends on system constraints that differ from one design to the next. Principally, the designer will be concerned with whether components can be mounted on both sides of the circuit board, whether through-hole components are permitted, the total board space available for power-supply circuitry, and the maximum amount of load current. Generally speaking, the most economical solutions are those in which each phase handles between 25A and 30A. All surface-mount designs will tend toward the lower end of this current range. If through-hole MOSFETs and inductors can be used, higher per-phase currents are possible. In cases where board space is the limiting constraint, current can be pushed as high as 40A per phase, but these designs require heat sinks and forced air to cool the MOSFETs, inductors and heat-dissipating surfaces.

### MOSFETS

The choice of MOSFETs depends on the current each MOSFET will be required to conduct, the switching frequency, the capability of the MOSFETs to dissipate heat, and the availability and nature of heat sinking and air flow.

### LOWER MOSFET POWER CALCULATION

The calculation for power loss in the lower MOSFET is simple, since virtually all of the loss in the lower MOSFET is due to current conducted through the channel resistance ( $r_{DS(ON)}$ ). In Equation 21,  $I_M$  is the maximum continuous output current,  $I_{P-P}$  is the peak-to-peak inductor current (see Equation 1), and  $d$  is the duty cycle ( $V_{OUT}/V_{IN}$ ).

$$P_{LOW,1} = r_{DS(ON)} \cdot \left[ \left( \frac{I_M}{N} \right)^2 \cdot (1-d) + \frac{I_{L,P-P}^2 \cdot (1-d)}{12} \right] \quad (\text{EQ. 21})$$

An additional term can be added to the lower-MOSFET loss equation to account for additional loss accrued during the dead

time when inductor current is flowing through the lower-MOSFET body diode. This term is dependent on the diode forward voltage at  $I_M$ ,  $V_{D(ON)}$ , the switching frequency,  $f_S$ , and the length of dead times,  $t_{D1}$  and  $t_{D2}$ , at the beginning and the end of the lower-MOSFET conduction interval respectively.

$$P_{LOW,2} = V_{D(ON)} \cdot f_S \cdot \left[ \left( \frac{I_M}{N} + \frac{I_{P-P}}{2} \right) \cdot t_{d1} + \left( \frac{I_M}{N} - \frac{I_{P-P}}{2} \right) \cdot t_{d2} \right] \quad (\text{EQ. 22})$$

The total maximum power dissipated in each lower MOSFET is approximated by the summation of  $P_{LOW,1}$  and  $P_{LOW,2}$ .

### UPPER MOSFET POWER CALCULATION

In addition to  $r_{DS(ON)}$  losses, a large portion of the upper-MOSFET losses are due to currents conducted across the input voltage ( $V_{IN}$ ) during switching. Since a substantially higher portion of the upper-MOSFET losses are dependent on switching frequency, the power calculation is more complex. Upper MOSFET losses can be divided into separate components involving the upper-MOSFET switching times, the lower-MOSFET body-diode reverse-recovery charge,  $Q_{rr}$ , and the upper MOSFET  $r_{DS(ON)}$  conduction loss.

When the upper MOSFET turns off, the lower MOSFET does not conduct any portion of the inductor current until the voltage at the phase node falls below ground. Once the lower MOSFET begins conducting, the current in the upper MOSFET falls to zero as the current in the lower MOSFET ramps up to assume the full inductor current. In Equation 23, the required time for this commutation is  $t_1$  and the approximated associated power loss is  $P_{UP,1}$ .

$$P_{UP,1} \approx V_{IN} \cdot \left( \frac{I_M}{N} + \frac{I_{P-P}}{2} \right) \cdot \left( \frac{t_1}{2} \right) \cdot f_S \quad (\text{EQ. 23})$$

At turn on, the upper MOSFET begins to conduct and this transition occurs over a time  $t_2$ . In Equation 24, the approximate power loss is  $P_{UP,2}$ .

$$P_{UP,2} \approx V_{IN} \cdot \left( \frac{I_M}{N} - \frac{I_{P-P}}{2} \right) \cdot \left( \frac{t_2}{2} \right) \cdot f_S \quad (\text{EQ. 24})$$

A third component involves the lower MOSFET reverse-recovery charge,  $Q_{rr}$ . Since the inductor current has fully commutated to the upper MOSFET before the lower-MOSFET body diode can recover all of  $Q_{rr}$ , it is

conducted through the upper MOSFET across  $V_{IN}$ . The power dissipated as a result is  $P_{UP,3}$ .

$$P_{UP,3} = V_{IN} \cdot Q_{rr} \cdot f_S \quad (EQ. 25)$$

Finally, the resistive part of the upper MOSFET is given in Equation 26 as  $P_{UP,4}$ .

$$P_{UP,4} \approx r_{DS(ON)} \cdot d \cdot \left[ \left( \frac{I_M}{N} \right)^2 + \frac{I_{P-P}^2}{12} \right] \quad (EQ. 26)$$

The total power dissipated by the upper MOSFET at full load can now be approximated as the summation of the results from Equations 23, 24, 25 and 26. Since the power equations depend on MOSFET parameters, choosing the correct MOSFETs can be an iterative process involving repetitive solutions to the loss equations for different MOSFETs and different switching frequencies.

**Package Power Dissipation**

When choosing MOSFETs it is important to consider the amount of power being dissipated in the integrated drivers located in the controller. Since there are a total of three drivers in the controller package, the total power dissipated by all three drivers must be less than the maximum allowable power dissipation for the QFN package.

Calculating the power dissipation in the drivers for a desired application is critical to ensure safe operation. Exceeding the maximum allowable power dissipation level will push the IC beyond the maximum recommended operating junction temperature of +125°C. The maximum allowable IC power dissipation for the 7x7 QFN package is approximately 3.5W at room temperature. See “Layout Considerations” on page 36 for thermal transfer improvement suggestions.

When designing the ISL6322G into an application, it is recommended that the following calculation is used to ensure safe operation at the desired frequency for the selected MOSFETs. The total gate drive power losses,  $P_{Qg\_TOT}$ , due to the gate charge of MOSFETs and the integrated driver’s internal circuitry and their corresponding average driver current can be estimated with Equations 27 and 28, respectively.

$$P_{Qg\_TOT} = P_{Qg\_Q1} + P_{Qg\_Q2} + I_Q \cdot V_{CC} \quad (EQ. 27)$$

$$P_{Qg\_Q1} = \frac{3}{2} \cdot Q_{G1} \cdot PV_{CC} \cdot F_{SW} \cdot N_{Q1} \cdot N_{PHASE}$$

$$P_{Qg\_Q2} = Q_{G2} \cdot PV_{CC} \cdot F_{SW} \cdot N_{Q2} \cdot N_{PHASE}$$

$$I_{DR} = \left( \frac{3}{2} \cdot Q_{G1} \cdot N_{Q1} + Q_{G2} \cdot N_{Q2} \right) \cdot N_{PHASE} \cdot F_{SW} + I_Q \quad (EQ. 28)$$

In Equations 27 and 28,  $P_{Qg\_Q1}$  is the total upper gate drive power loss and  $P_{Qg\_Q2}$  is the total lower gate drive power loss; the gate charge ( $Q_{G1}$  and  $Q_{G2}$ ) is defined at the particular gate to

source drive voltage  $PV_{CC}$  in the corresponding MOSFET data sheet;  $I_Q$  is the driver total quiescent current with no load at both drive outputs;  $N_{Q1}$  and  $N_{Q2}$  are the number of upper and lower MOSFETs per phase, respectively;  $N_{PHASE}$  is the number of active phases. The  $I_Q \cdot V_{CC}$  product is the quiescent power of the controller without capacitive load and is typically 75mW at 300kHz.

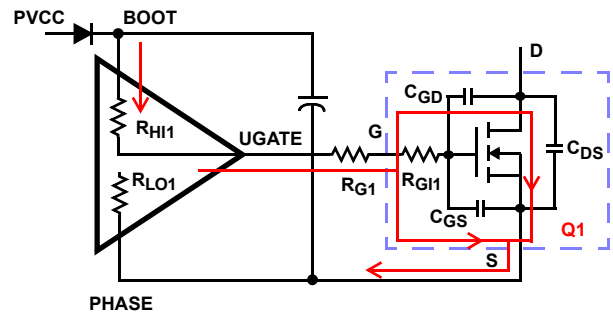


FIGURE 19. TYPICAL UPPER-GATE DRIVE TURN-ON PATH

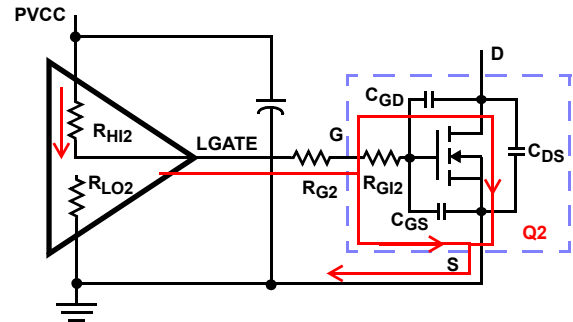


FIGURE 20. TYPICAL LOWER-GATE DRIVE TURN-ON PATH

The total gate drive power losses are dissipated among the resistive components along the transition path and in the bootstrap diode. The portion of the total power dissipated in the controller itself is the power dissipated in the upper drive path resistance,  $P_{DR\_UP}$ , the lower drive path resistance,  $P_{DR\_LOW}$ , and in the boot strap diode,  $P_{BOOT}$ .

$$P_{DR} = P_{DR\_UP} + P_{DR\_LOW} + P_{BOOT} + (I_Q \cdot V_{CC}) \quad (EQ. 29)$$

$$P_{BOOT} = \frac{P_{Qg\_Q1}}{3}$$

$$P_{DR\_UP} = \left( \frac{R_{HI1}}{R_{HI1} + R_{EXT1}} + \frac{R_{LO1}}{R_{LO1} + R_{EXT1}} \right) \cdot \frac{P_{Qg\_Q1}}{3}$$

$$P_{DR\_LOW} = \left( \frac{R_{HI2}}{R_{HI2} + R_{EXT2}} + \frac{R_{LO2}}{R_{LO2} + R_{EXT2}} \right) \cdot \frac{P_{Qg\_Q2}}{2}$$

$$R_{EXT1} = R_{G1} + \frac{R_{GI1}}{N_{Q1}}$$

$$R_{EXT2} = R_{G2} + \frac{R_{GI2}}{N_{Q2}}$$

The rest of the power will be dissipated by the external gate resistors ( $R_{G1}$  and  $R_{G2}$ ) and the internal gate resistors ( $R_{GI1}$



and  $R_{G12}$ ) of the MOSFETs. Figures 19 and 20 show the typical upper and lower gate drives turn-on transition path. The total power dissipation in the controller itself,  $P_{DR}$ , can be roughly estimated with Equation 29.

**Inductor DCR Current Sensing Component Selection**

The ISL6322G senses each individual channel's inductor current by detecting the voltage across the output inductor DCR of that channel (as described in "Continuous Current Sampling" on page 12). As Figure 21 illustrates, an R-C network is required to accurately sense the inductor DCR voltage and convert this information into a current, which is proportional to the total output current. The time constant of this R-C network must match the time constant of the inductor L/DCR.

The R-C network across the inductor also sets the overcurrent trip threshold for the regulator. Before the R-C components can be selected, the desired overcurrent protection level should be chosen. The minimum overcurrent trip threshold the controller can support is dictated by the DCR of the inductors and the number of active channels. To calculate the minimum overcurrent trip level,  $I_{OCP,min}$ , use Equation 30, where N is the number of active channels, and DCR is the individual inductor's DCR.

$$I_{OCP,min} = \frac{0.036 \cdot N}{DCR} \tag{EQ. 30}$$

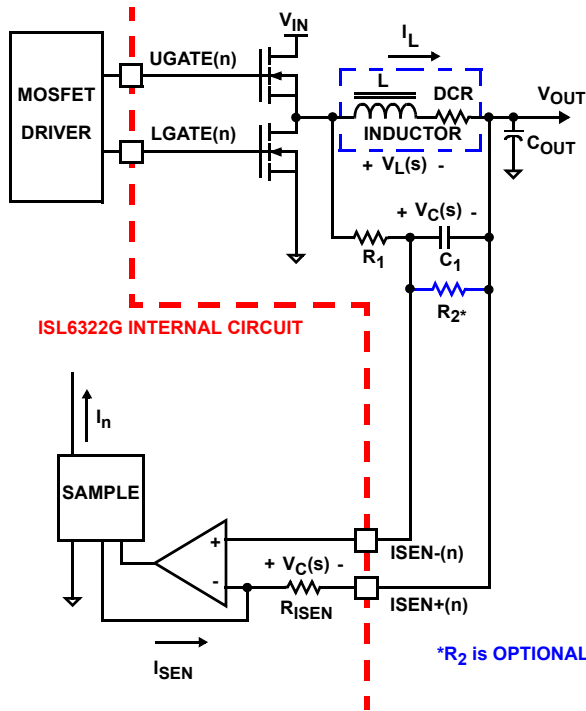


FIGURE 21. DCR SENSING CONFIGURATION

If the desired overcurrent trip level is equal to or less than the minimum overcurrent trip level, follow the steps below

**to choose the component values for the R-C current sensing network:**

1. Choose an arbitrary value for  $C_1$ . The recommended value is  $0.1\mu F$ .
2. Plug the inductor L and DCR component values, and the value for  $C_1$  chosen in step 1, into Equation 31 to calculate the value for  $R_1$ .

$$R_1 = \frac{L}{DCR \cdot C_1} \quad I_{OCP} = I_{OCP,min} \tag{EQ. 31}$$

3. Resistor  $R_2$  should be left unpopulated.

If the desired overcurrent trip level,  $I_{OCP}$ , is greater than the minimum overcurrent trip level,  $I_{OCP,min}$ , then a resistor divider R-C circuit should be used to set the desired trip level.

**Take the following steps to choose the component values for the resistor divider R-C current sensing network:**

1. Choose an arbitrary value for  $C_1$ . The recommended value is  $0.1\mu F$ .
2. Plug the inductor L and DCR component values, the value for  $C_1$  chosen in step 1, the number of active channels N, and the desired overcurrent protection level  $I_{OCP}$  into Equations 32 and 33 to calculate the values for  $R_1$  and  $R_2$ .

$$R_1 = \frac{L \cdot I_{OCP}}{C_1 \cdot 0.036 \cdot N} \quad I_{OCP} > I_{OCP,min} \tag{EQ. 32}$$

$$R_2 = \frac{L \cdot I_{OCP}}{C_1 \cdot (I_{OCP} \cdot DCR - 0.036 \cdot N)} \tag{EQ. 33}$$

**IOUT Pin Resistor**

A copy of the total channel sense current,  $I_{SEN1}+I_{SEN2}$ , flows out of the IOUT pin, and a resistor,  $R_{IOUT}$ , placed from this pin to ground can be used to set the overcurrent protection trip level. Based on the desired overcurrent trip threshold,  $I_{OCP}$ , the IOUT pin resistor,  $R_{IOUT}$ , can be calculated from Equation 34 or Equation 35, depending on the R-C current sense circuitry being employed. If a basic R-C sense circuit consisting of  $C_1$  and  $R_1$  is being used, use Equation 36. If a resistor divider R-C sense circuit consisting of  $R_1$ ,  $R_2$ , and  $C_1$  is being used, use Equation 36.

$$R_{IOUT} = \frac{600}{DCR \cdot I_{OCP}} \quad I_{OCP} \leq I_{OCP,min} \tag{EQ. 34}$$

$$R_{IOUT} = \frac{600}{DCR \cdot I_{OCP}} \cdot \left( \frac{R_1 + R_2}{R_2} \right) \quad I_{OCP} > I_{OCP,min} \tag{EQ. 35}$$

**Compensation**

The two opposing goals of compensating the voltage regulator are stability and speed. The regulated converter is accurately modeled as a voltage-mode regulator with two poles at the L-C resonant frequency and a zero at the ESR frequency. A type III controller, as shown in Figure 23, provides the necessary compensation.

The first step is to choose the desired bandwidth,  $f_0$ , of the compensated system. Choose a frequency high enough to assure adequate transient performance but not higher than 1/3 of the switching frequency. The type-III compensator has an extra high-frequency pole,  $f_{HF}$ . This pole can be used for added noise rejection or to assure adequate attenuation at the error-amplifier high-order pole and zero frequencies. A good general rule is to choose  $f_{HF} = 10f_0$ , but it can be higher if desired. Choosing  $f_{HF}$  to be lower than  $10f_0$  can cause problems with too much phase shift below the system bandwidth.

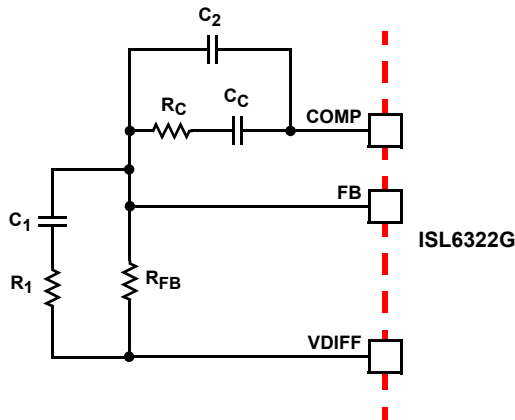


FIGURE 22. COMPENSATION CIRCUIT

In the solutions to the compensation equations, there is a single degree of freedom. For the solutions presented in Equation 36,  $R_{FB}$  is selected arbitrarily. The remaining compensation components are then selected according to Equation 36.

$$R_1 = R_{FB} \cdot \frac{C \cdot ESR}{\sqrt{L \cdot C} - C \cdot ESR}$$

$$C_1 = \frac{\sqrt{L \cdot C} - C \cdot ESR}{R_{FB}}$$

$$C_2 = \frac{V_{IN}}{(2 \cdot \pi)^2 \cdot f_0 \cdot f_{HF} \cdot (\sqrt{L \cdot C}) \cdot R_{FB} \cdot V_{P-P}}$$

$$R_C = \frac{V_{PP} \cdot (2\pi)^2 \cdot f_0 \cdot f_{HF} \cdot L \cdot C \cdot R_{FB}}{V_{IN} \cdot (2 \cdot \pi \cdot f_{HF} \cdot \sqrt{L \cdot C} - 1)}$$

$$C_C = \frac{V_{IN} \cdot (2 \cdot \pi \cdot f_{HF} \cdot \sqrt{L \cdot C} - 1)}{(2 \cdot \pi)^2 \cdot f_0 \cdot f_{HF} \cdot (\sqrt{L \cdot C}) \cdot R_{FB} \cdot V_{P-P}} \quad (\text{EQ. 36})$$

In Equation 36,  $L$  is the per-channel filter inductance divided by the number of active channels;  $C$  is the sum total of all output capacitors;  $ESR$  is the equivalent-series resistance of the bulk output-filter capacitance; and  $V_{P-P}$  is the peak-to-peak sawtooth signal amplitude as described in “Electrical Specifications” on page 6.

## Output Filter Design

The output inductors and the output capacitor bank together to form a low-pass filter responsible for smoothing the pulsating voltage at the phase nodes. The output filter also must provide the transient energy until the regulator can respond. Because it has a low bandwidth compared to the switching frequency, the output filter limits the system transient response. The output capacitors must supply or sink load current while the current in the output inductors increases or decreases to meet the demand.

In high-speed converters, the output capacitor bank is usually the most costly (and often the largest) part of the circuit. Output filter design begins with minimizing the cost of this part of the circuit. The critical load parameters in choosing the output capacitors are the maximum size of the load step,  $\Delta I$ , the load-current slew rate,  $di/dt$ , and the maximum allowable output-voltage deviation under transient loading,  $\Delta V_{MAX}$ . Capacitors are characterized according to their capacitance, ESR, and ESL (equivalent series inductance).

At the beginning of the load transient, the output capacitors supply all of the transient current. The output voltage will initially deviate by an amount approximated by the voltage drop across the ESL. As the load current increases, the voltage drop across the ESR increases linearly until the load current reaches its final value. The capacitors selected must have sufficiently low ESL and ESR so that the total output-voltage deviation is less than the allowable maximum. Neglecting the contribution of inductor current and regulator response, the output voltage initially deviates by the amount specified in Equation 37.

$$\Delta V \approx ESL \cdot \frac{di}{dt} + ESR \cdot \Delta I \quad (\text{EQ. 37})$$

The filter capacitor must have sufficiently low ESL and ESR so that  $\Delta V < \Delta V_{MAX}$ .

Most capacitor solutions rely on a mixture of high-frequency capacitors with relatively low capacitance in combination with bulk capacitors having high capacitance but limited high-frequency performance. Minimizing the ESL of the high-frequency capacitors allows them to support the output voltage as the current increases. Minimizing the ESR of the bulk capacitors allows them to supply the increased current with less output voltage deviation.

The ESR of the bulk capacitors also creates the majority of the output-voltage ripple. As the bulk capacitors sink and source the inductor ac ripple current (see “Interleaving” on page 10 and Equation 38), a voltage develops across the bulk capacitor ESR equal to  $I_{C(P-P)}(ESR)$ . Thus, once the output capacitors are selected, the maximum allowable ripple voltage,  $V_{(P-P)}(MAX)$ , determines the lower limit on the inductance.

$$L \geq ESR \cdot \frac{(V_{IN} - N \cdot V_{OUT}) \cdot V_{OUT}}{f_S \cdot V_{IN} \cdot V_{(P-P)}(MAX)} \quad (\text{EQ. 38})$$

Since the capacitors are supplying a decreasing portion of the load current while the regulator recovers from the transient, the capacitor voltage becomes slightly depleted. The output inductors must be capable of assuming the entire load current before the output voltage decreases more than  $\Delta V_{MAX}$ . This places an upper limit on inductance.

Equation 39 gives the upper limit on L for the cases when the trailing edge of the current transient causes a greater output-voltage deviation than the leading edge. Equation 40 addresses the leading edge. Normally, the trailing edge dictates the selection of L because duty cycles are usually less than 50%. Nevertheless, both inequalities should be evaluated, and L should be selected based on the lower of the two results. In each equation:

L is the per-channel inductance,  
 C is the total output capacitance, and  
 N is the number of active channels.

$$L \leq \frac{2 \cdot N \cdot C \cdot V_O}{(\Delta I)^2} \cdot [\Delta V_{MAX} - (\Delta I \cdot ESR)] \quad (EQ. 39)$$

$$L \leq \frac{1.25 \cdot N \cdot C}{(\Delta I)^2} \cdot [\Delta V_{MAX} - (\Delta I \cdot ESR)] \cdot (V_{IN} - V_O) \quad (EQ. 40)$$

**Switching Frequency**

There are a number of variables to consider when choosing the switching frequency, as there are considerable effects on the upper MOSFET loss calculation. These effects are outlined in “MOSFETs” on page 31, and they establish the upper limit for the switching frequency. The lower limit is established by the requirement for fast transient response and small output-voltage ripple as outlined in “Compensation” on page 33. Choose the lowest switching frequency that allows the regulator to meet the transient-response requirements.

Switching frequency is determined by the selection of the frequency-setting resistor,  $R_T$ . Figure 23 and Equation 41 are provided to assist in selecting the correct value for  $R_T$ .

$$R_T = 10^{[10.61 - (1.035 \cdot \log(f_S))]} \quad (EQ. 41)$$

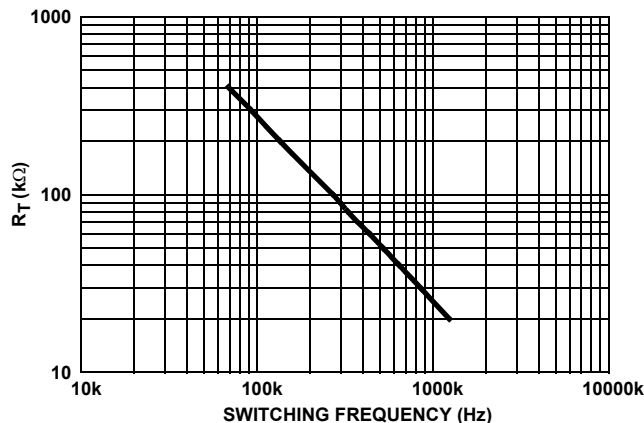


FIGURE 23.  $R_T$  vs SWITCHING FREQUENCY

**Input Capacitor Selection**

The input capacitors are responsible for sourcing the AC component of the input current flowing into the upper MOSFETs. Their RMS current capacity must be sufficient to handle the ac component of the current drawn by the upper MOSFETs which is related to duty cycle and the number of active phases.

For a two-phase design, use Figure 24 to determine the input-capacitor RMS current requirement set by the duty cycle, maximum sustained output current ( $I_O$ ), and the ratio of the peak-to-peak inductor current ( $I_{L(P-P)}$ ) to  $I_O$ .

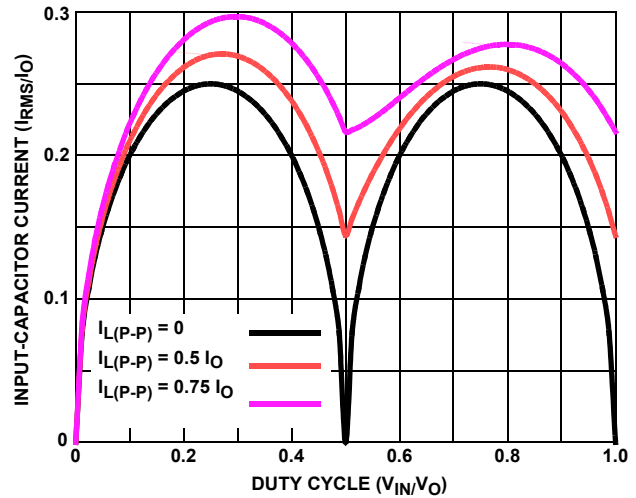
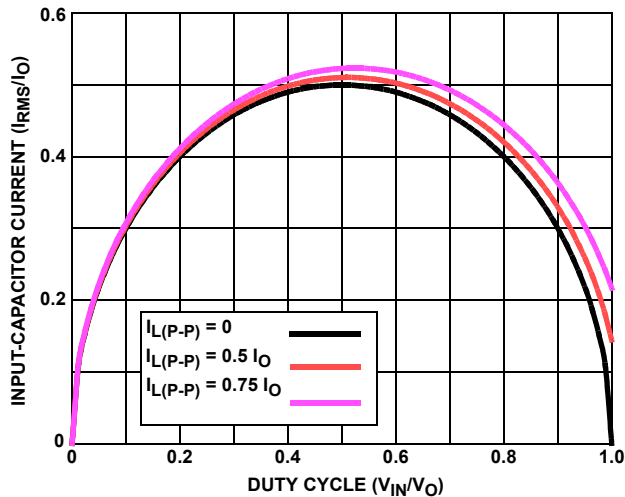


FIGURE 24. NORMALIZED INPUT-CAPACITOR RMS CURRENT FOR 2-PHASE CONVERTER

Select a bulk capacitor with a ripple current rating which will minimize the total number of input capacitors required to support the RMS current calculated. The voltage rating of the capacitors should also be at least 1.25x greater than the maximum input voltage. Figure 25 provides the same input RMS current information for single-phase designs. Use the same approach for selecting the bulk capacitor type and number.



**FIGURE 25. NORMALIZED INPUT-CAPACITOR RMS CURRENT FOR SINGLE-PHASE CONVERTER**

Low capacitance, high-frequency ceramic capacitors are needed in addition to the input bulk capacitors to suppress leading and falling edge voltage spikes. The spikes result from the high current slew rate produced by the upper MOSFET turn on and off. Select low ESL ceramic capacitors and place one as close as possible to each upper MOSFET drain to minimize board parasitics and maximize suppression.

### Layout Considerations

MOSFETs switch very fast and efficiently. The speed with which the current transitions from one device to another causes voltage spikes across the interconnecting impedances and parasitic circuit elements. These voltage spikes can degrade efficiency, radiate noise into the circuit and lead to device overvoltage stress. Careful component selection, layout, and placement minimizes these voltage spikes. Consider, as an example, the turnoff transition of the upper PWM MOSFET. Prior to turnoff, the upper MOSFET was carrying channel-current. During the turnoff, current stops flowing in the upper MOSFET and is picked up by the lower MOSFET. Any inductance in the switched current path generates a large voltage spike during the switching interval. Careful component selection, tight layout of the critical components, and short, wide circuit traces minimize the magnitude of voltage spikes.

There are two sets of critical components in a DC/DC converter using an ISL6322G controller. The power components are the most critical because they switch large amounts of energy. Next are small signal components that connect to sensitive nodes or supply critical bypassing current and signal coupling.

The power components should be placed first, which include the MOSFETs, input and output capacitors, and the inductors. It is important to have a symmetrical layout for each power train, preferably with the controller located equidistant from each. Symmetrical layout allows heat to be dissipated equally across all power trains. Equidistant placement of the controller to the

first three power trains it controls through the integrated drivers helps keep the gate drive traces equally short, resulting in equal trace impedances and similar drive capability of all sets of MOSFETs.

When placing the MOSFETs, try to keep the source of the upper FETs and the drain of the lower FETs as close as thermally possible. Input Bulk capacitors should be placed close to the drain of the upper FETs and the source of the lower FETs. Locate the output inductors and output capacitors between the MOSFETs and the load. The high-frequency input and output decoupling capacitors (ceramic) should be placed as close as practicable to the decoupling target, making use of the shortest connection paths to any internal planes, such as vias to GND next or on the capacitor solder pad.

The critical small components include the bypass capacitors for VCC and PVCC, and many of the components surrounding the controller including the feedback network and current sense components. Locate the VCC/PVCC bypass capacitors as close to the ISL6322G as possible. It is especially important to locate the components associated with the feedback circuit close to their respective controller pins, since they belong to a high-impedance circuit loop, sensitive to EMI pick-up.

A multi-layer printed circuit board is recommended. Figure 27 shows the connections of the critical components for the converter. Note that capacitors  $C_{XXIN}$  and  $C_{XXOUT}$  could each represent numerous physical capacitors. Dedicate one solid layer, usually the one underneath the component side of the board, for a ground plane and make all critical component ground connections with vias to this layer. Dedicate another solid layer as a power plane and break this plane into smaller islands of common voltage levels. Keep the metal runs from the PHASE terminal to output inductors short. The power plane should support the input power and output power nodes. Use copper filled polygons on the top and bottom circuit layers for the phase nodes. Use the remaining printed circuit layers for small signal wiring.

### Routing UGATE, LGATE, and PHASE Traces

Great attention should be paid to routing the UGATE, LGATE, and PHASE traces since they drive the power train MOSFETs using short, high current pulses. It is important to size them as large and as short as possible to reduce their overall impedance and inductance. They should be sized to carry at least one ampere of current (0.02" to 0.05"). Going between layers with vias should also be avoided, but if so, use two vias for interconnection when possible.

Extra care should be given to the LGATE traces in particular since keeping their impedance and inductance low helps to significantly reduce the possibility of shoot-through. It is also important to route each channels UGATE and PHASE traces in as close proximity as possible to reduce their inductances.

**Current Sense Component Placement and Trace Routing**

One of the most critical aspects of the ISL6322G regulator layout is the placement of the inductor DCR current sense components and traces. The R-C current sense components must be placed as close to their respective ISEN+ and ISEN- pins on the ISL6322G as possible.

The sense traces that connect the R-C sense components to each side of the output inductors should be routed on the bottom of the board, away from the noisy switching components located on the top of the board. These traces should be routed side by side, and they should be very thin traces. It's important to route these traces as far away from any other noisy traces or planes as possible. These traces should pick up as little noise as possible.

**Thermal Management**

For maximum thermal performance in high current, high switching frequency applications, connecting the thermal GND pad of the ISL6322G to the ground plane with multiple vias is recommended. This heat spreading allows the part to achieve its full thermal potential. It is also recommended that the controller be placed in a direct path of airflow if possible to help thermally manage the part.

© Copyright Intersil Americas LLC 2008. All Rights Reserved.

All trademarks and registered trademarks are the property of their respective owners.

For additional products, see [www.intersil.com/en/products.html](http://www.intersil.com/en/products.html)

---

Intersil products are manufactured, assembled and tested utilizing ISO9001 quality systems as noted in the quality certifications found at [www.intersil.com/en/support/qualandreliability.html](http://www.intersil.com/en/support/qualandreliability.html)

---

*Intersil products are sold by description only. Intersil may modify the circuit design and/or specifications of products at any time without notice, provided that such modification does not, in Intersil's sole judgment, affect the form, fit or function of the product. Accordingly, the reader is cautioned to verify that datasheets are current before placing orders. Information furnished by Intersil is believed to be accurate and reliable. However, no responsibility is assumed by Intersil or its subsidiaries for its use; nor for any infringements of patents or other rights of third parties which may result from its use. No license is granted by implication or otherwise under any patent or patent rights of Intersil or its subsidiaries.*

---

For information regarding Intersil Corporation and its products, see [www.intersil.com](http://www.intersil.com)

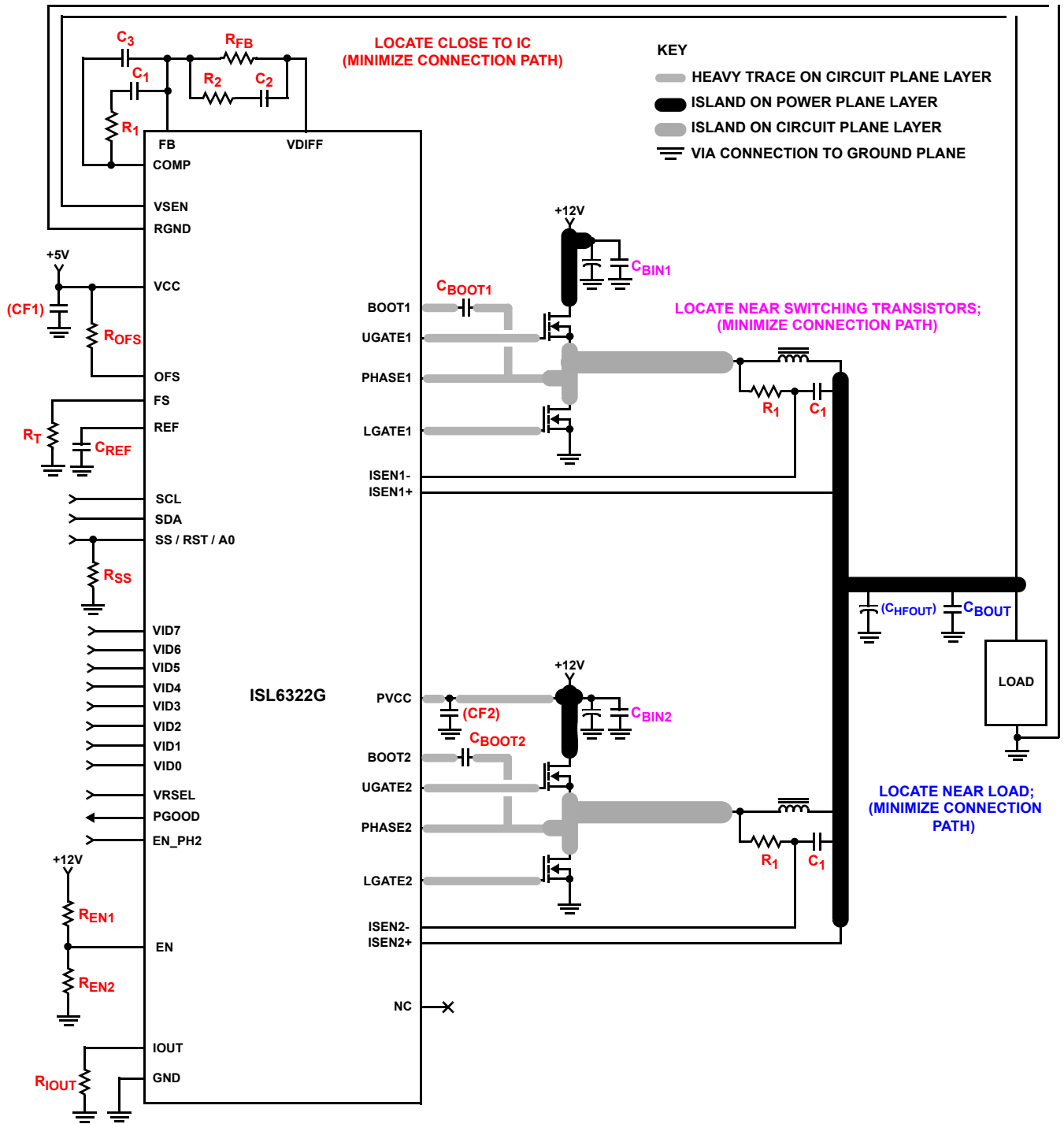


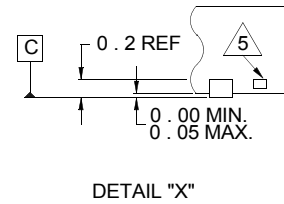
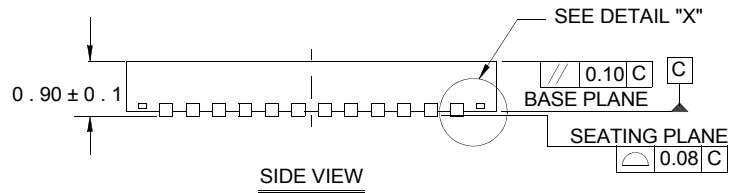
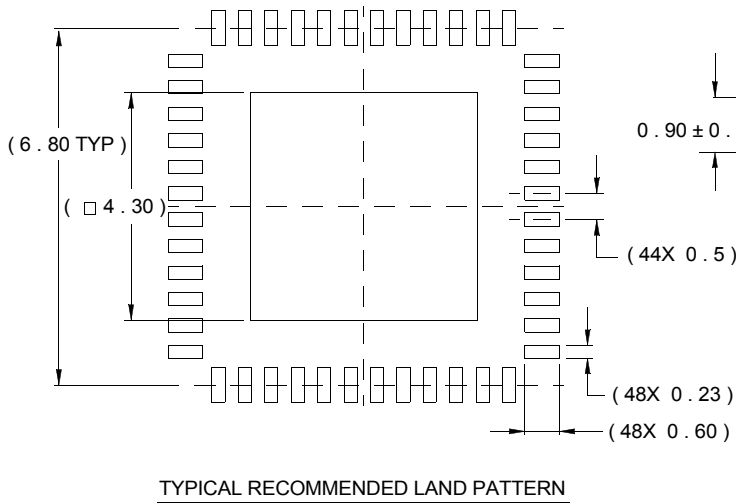
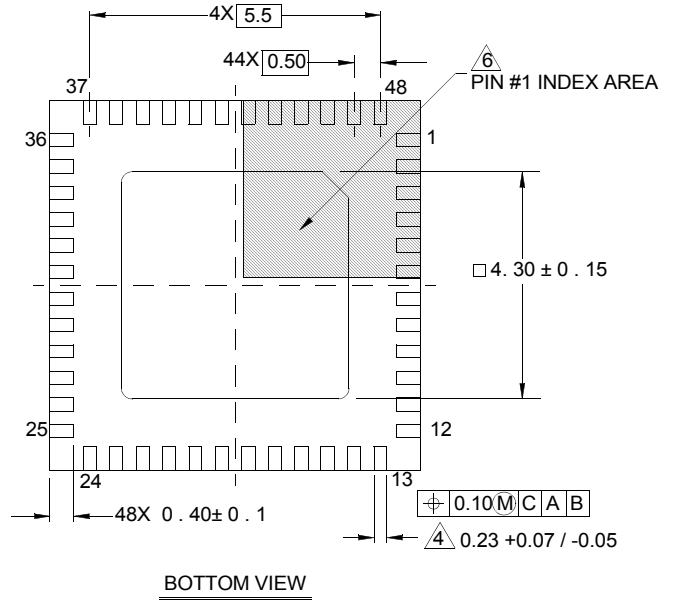
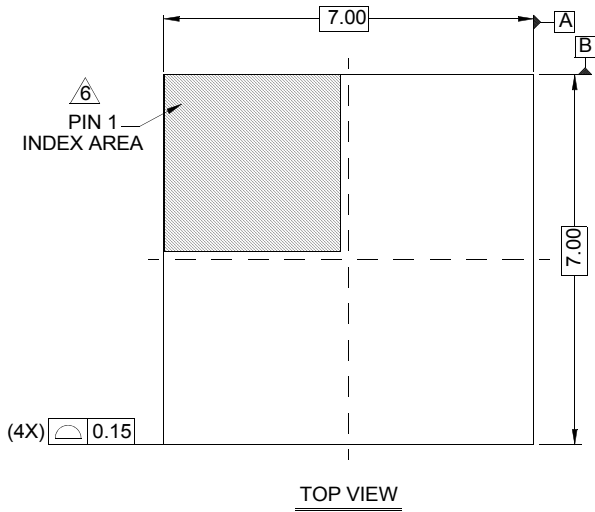
FIGURE 26. PRINTED CIRCUIT BOARD POWER PLANES AND ISLANDS

# Package Outline Drawing

## L48.7x7

### 48 LEAD QUAD FLAT NO-LEAD PLASTIC PACKAGE

Rev 4, 10/06



NOTES:

1. Dimensions are in millimeters.  
Dimensions in ( ) for Reference Only.
2. Dimensioning and tolerancing conform to AMSE Y14.5m-1994.
3. Unless otherwise specified, tolerance : Decimal ± 0.05
4. Dimension b applies to the metallized terminal and is measured between 0.15mm and 0.30mm from the terminal tip.
5. Tiebar shown (if present) is a non-functional feature.
6. The configuration of the pin #1 identifier is optional, but must be located within the zone indicated. The pin #1 identifier may be either a mold or mark feature.

## X-ON Electronics

Largest Supplier of Electrical and Electronic Components

*Click to view similar products for [Switching Controllers](#) category:*

*Click to view products by [Renesas](#) manufacturer:*

Other Similar products are found below :

[633888R](#) [AZ7500EP-E1](#) [NCP1012AP133G](#) [NCP1218AD65R2G](#) [NCP1234AD100R2G](#) [NCP1244BD065R2G](#) [NCP1336ADR2G](#)  
[NCP6153MNTWG](#) [NCP81101BMNTXG](#) [NCP81205MNTXG](#) [HV9123NG-G-M934](#) [CAT874-80ULGT3](#) [SJE6600](#) [SG3845DM](#)  
[NCP1216P133G](#) [NCP1236DD65R2G](#) [NCP1247BD100R2G](#) [NCP1250BP65G](#) [NCP4204MNTXG](#) [NCP6132AMNR2G](#) [NCP81172MNTXG](#)  
[NCP81203MNTXG](#) [NCP81206MNTXG](#) [NX2155HCUPTR](#) [UC3845ADM](#) [UBA2051C](#) [IR35201MTRPBF](#) [MAX8778ETJ+](#)  
[MAX16933ATIR/V+](#) [NCP1010AP130G](#) [NCP1063AD100R2G](#) [NCP1216AP133G](#) [NCP1217AP100G](#) [NCP1230P133G](#) [MAX1715EEI+T](#)  
[MAX1715EEI](#) [MAX17024ETD+T](#) [NTBV30N20T4G](#) [NCP1015ST65T3G](#) [NCP1060AD100R2G](#) [NCP1216AP65G](#) [NCP1217P100G](#)  
[NCP1217P65G](#) [NCP1240AD065R2G](#) [NCP1240FD065R2G](#) [NCP1361BABAYSNT1G](#) [NTC6600NF](#) [NVTS4409NT1G](#) [TC105333ECTTR](#)  
[NCP1230P100G](#)