

ISL78208

Wide  $V_{IN}$  Dual Standard Buck Regulator with 3A/3A Continuous Output Current

FN8354  
Rev.2.00  
Oct 22, 2021

The **ISL78208** is a dual standard buck regulator capable of 3A per channel with continuous output current. With an input range of 4.5V to 28V, it provides a high frequency power solution for a variety of point of load applications.

The PWM controller in the ISL78208 drives an internal switching N-Channel power MOSFET and requires an external Schottky diode to generate the output voltage. The integrated power switch is optimized for excellent thermal performance up to 3A of output current. The PWM regulator switches at a default frequency of 500kHz and it can be user programmed or synchronized from 300kHz to 2MHz. The ISL78208 utilizes peak current mode control to provide flexibility in component selection and minimize solution size. The protection features include overcurrent, UVLO and thermal overload protection.

The ISL78208 is available in 5mmx5mm 32 Ld Wettable Flank Quad Flat Pb-free (WFQFN) package.

The ISL78208 is rated for the automotive temperature range (-40°C to +105°C).

**Features**

- Wide input voltage range from 4.5V to 28V
- Adjustable output voltage with continuous output current up to 3A
- Current mode control
- Adjustable switching frequency from 300kHz to 2MHz
- Independent power-good detection
- Selectable In-phase or out-of-phase PWM operation
- Independent, sequential, ratiometric or absolute tracking between outputs
- Internal 2ms Soft-start time
- Overcurrent/short circuit protection, thermal overload protection, UVLO
- Boot undervoltage detection
- Qualified for automotive applications
- Pb-Free (RoHS compliant)

**Applications**

- DSP and embedded processor power supply
- Infotainment system power

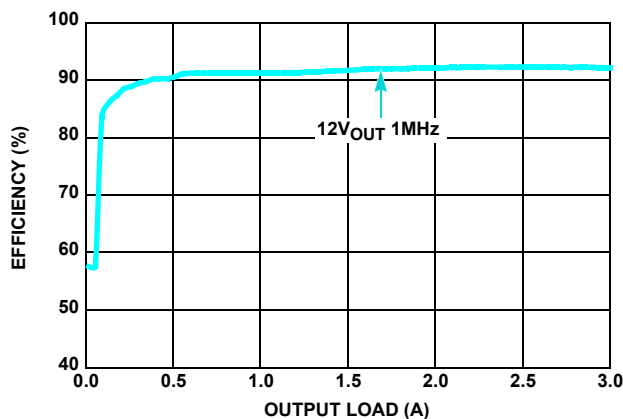
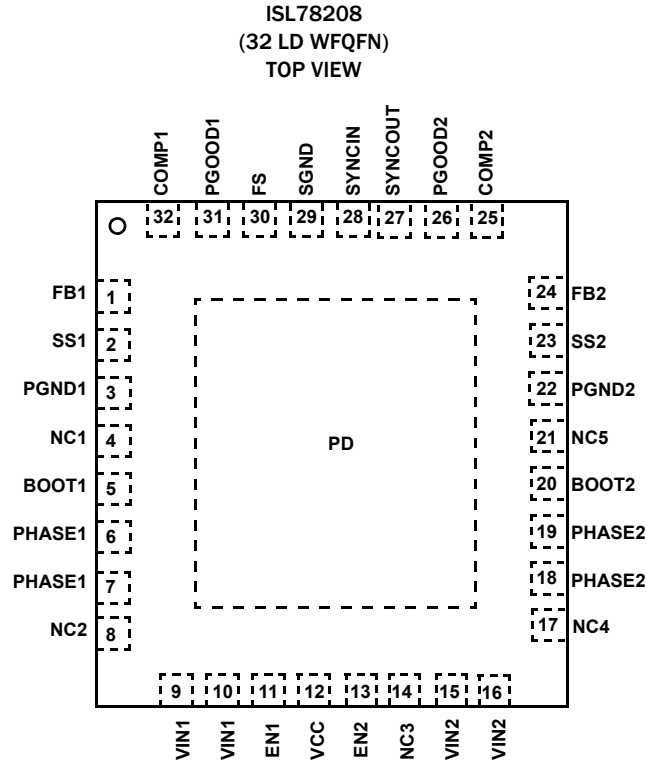


FIGURE 1. EFFICIENCY vs LOAD,  $V_{IN} = 28V$ ,  $T_A = +25^\circ C$

# Table of Contents

<b>Pin Configuration</b> .....	<b>3</b>
<b>Pin Descriptions</b> .....	<b>3</b>
<b>Ordering Information</b> .....	<b>4</b>
<b>Typical Application Schematics</b> .....	<b>5</b>
<b>Functional Block Diagram</b> .....	<b>6</b>
<b>Absolute Maximum Ratings</b> .....	<b>7</b>
<b>Thermal Information</b> .....	<b>7</b>
<b>Recommended Operating Conditions</b> .....	<b>7</b>
<b>Electrical Specifications</b> .....	<b>7</b>
<b>Typical Performance Curves</b> .....	<b>9</b>
<b>Detailed Description</b> .....	<b>15</b>
<b>Operation Initialization</b> .....	<b>15</b>
Power-On Reset and Undervoltage Lockout .....	15
Enable and Disable .....	15
Power-Good .....	15
Output Voltage Selection .....	15
<b>Output Tracking and Sequencing</b> .....	<b>15</b>
<b>Protection Features</b> .....	<b>16</b>
Buck Regulator Overcurrent Protection .....	16
Thermal Overload Protection .....	17
BOOT Undervoltage Protection .....	17
<b>Application Guidelines</b> .....	<b>17</b>
Operating Frequency .....	17
Synchronization Control .....	17
Output Inductor Selection .....	17
Buck Regulator Output Capacitor Selection .....	17
Current Sharing Configuration .....	18
Input Capacitor Selection .....	18
Loop Compensation Design .....	18
Theory of Compensation .....	19
PWM Comparator Gain $F_m$ .....	19
Power Stage Transfer Functions .....	19
Rectifier Selection .....	20
Power Derating Characteristics .....	21
Layout Considerations .....	21
<b>Revision History</b> .....	<b>23</b>
<b>Package Outline Drawing</b> .....	<b>24</b>

## Pin Configuration



## Pin Descriptions

PIN NUMBER	SYMBOL	PIN DESCRIPTION
25, 32	COMP2, COMP1	COMP1/COMP2 is the output of the error amplifier.
1, 24	FB1, FB2	Feedback pin for the regulator. FB is the negative input to the voltage loop error amplifier. COMP is the output of the error amplifier. The output voltage is set by an external resistor divider connected to FB. In addition, the PWM regulator's power-good and undervoltage protection circuits use FB1/2 to monitor the regulator output voltage.
2, 23	SS1, SS2	Soft-Start pins for each controller. The SS1/2 pins control the soft-start and sequence of their respective outputs. A single capacitor from the SS pin to ground determines the output ramp rate. See the "Output Tracking and Sequencing" on page 15 for soft-start and output tracking/sequencing details. If SS pins are tied to VCC, an internal soft-start of 2ms will be used. Maximum $C_{SS}$ value is 50nF.
3, 22	PGND1, PGND2	Power ground connections. Connect directly to the system GND plane.
5, 20	BOOT1, BOOT2	Floating bootstrap supply pin for the power MOSFET gate driver. The bootstrap capacitor provides the necessary charge to turn on the internal N-Channel MOSFET. Connect an external capacitor from this pin to PHASE.
6, 7, 18, 19	PHASE1, PHASE2	Switch node output. It connects the source of the internal power MOSFET with the external output inductor and with the cathode of the external diode.
9, 10, 15, 16	VIN1, VIN2	The input supply for the power stage of the PWM regulator and the source for the internal linear regulator that provides bias for the IC. Place a minimum of 10 $\mu$ F ceramic capacitance from each VIN to GND and close to the IC for decoupling.
11, 13	EN1, EN2	PWM controller's enable inputs. The PWM controllers are held off when the pin is pulled to ground. When the voltage on this pin rises above 2V, the PWM controller is enabled. If EN1, EN2 pins are driven by an external signal, the minimum off-time for EN1, EN2 should be: $EN\_T_{off} (\mu s) = 10\mu s \cdot C_{SS} / 2.2nF$ where $C_{SS}$ is the soft-start pin capacitor (nF). ISL78208 does not have debouncing to EN1, EN2 external signals.

## Pin Descriptions (Continued)

PIN NUMBER	SYMBOL	PIN DESCRIPTION
12	VCC	Output of the internal 5V linear regulator. Decouple to PGND with a minimum of 4.7µF ceramic capacitor. This pin is provided only for internal bias of ISL78208 (not to be loaded with current over 10mA).
27	SYNCOUT	Synchronization output. Provides a signal that is the inverse of the SYNCIN signal.
28	SYNCIN	Connect to an external signal for synchronization from 300kHz to 2MHz (negative edge trigger). SYNCIN is not allowed to be floating. When SYNCIN = logic 0, PHASE1 and PHASE2 are running at 180° out-of-phase. When SYNCIN = logic 1, PHASE1 and PHASE2 are running at 0° in-phase. When SYNCIN = an external clock, PHASE1 and PHASE2 are running at 180° out-of-phase. External SYNC frequency applied to the SYNCIN pin should be at least 2.4 times the internal switching frequency setting.
29	SGND	Signal ground connections. The exposed pad must be connected to SGND and soldered to the PCB. All voltage levels are measured with respect to this pin.
4, 8, 14, 17, 21	NC1, NC2, NC3, NC4, NC5	This is a no connection pin.
30	FS	Frequency selection pin. Tie to VCC for 500kHz switching frequency. Connect a resistor to GND for adjustable frequency from 300kHz to 2MHz.
26, 31	PGOOD2, PGOOD1	Open drain power-good output that is pulled to ground when the output voltage is below regulation limits or during the soft-start interval. There is an internal 5MΩ internal pull-up resistor.
EPAD	PD	The exposed pad must be connected to the system GND plane with as many vias as possible for proper electrical and thermal performance.

## Ordering Information

PART NUMBER (Notes 2, 3)	PART MARKING	PACKAGE DESCRIPTION (RoHS Compliant)	PKG. DWG. #	CARRIER TYPE (Note 1)	TEMP. RANGE
ISL78208ARZ	ISL7820 8ARZ	32 Ld WFQFN	L32.5x5H	Tube	-40 to +105 °C
ISL78208ARZ-T				Reel, 6k	
ISL78208ARZ-T7A				Reel, 250	

### NOTES:

- See [TB347](#) for details about reel specifications.
- These Pb-free plastic packaged products employ special Pb-free material sets; molding compounds/die attach materials and NiPdAu-Ag plate - e4 termination finish, which is RoHS compliant and compatible with both SnPb and Pb-free soldering operations. Pb-free products are MSL classified at Pb-free peak reflow temperatures that meet or exceed the Pb-free requirements of IPC/JEDEC J STD-020.
- For Moisture Sensitivity Level (MSL), please see device information page for [ISL78208](#). For more information about MSL, see [TB363](#).

# Typical Application Schematics

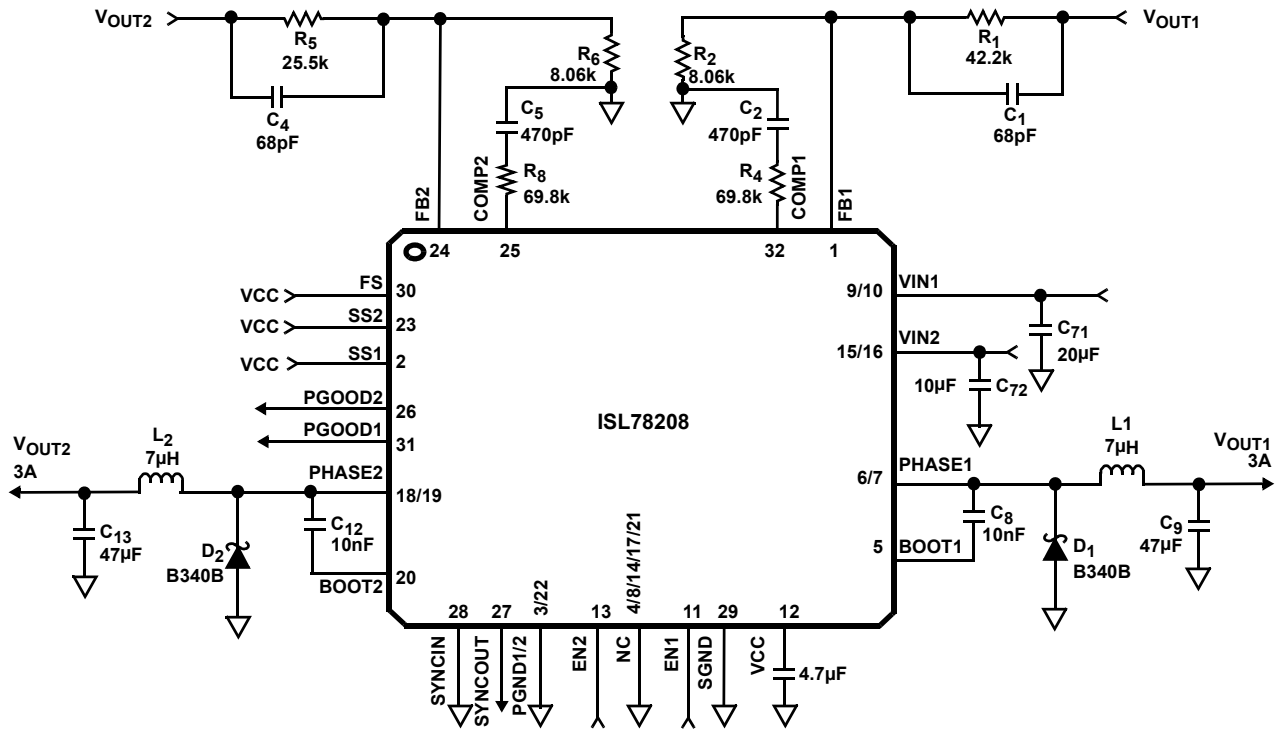


FIGURE 2. DUAL 3A OUTPUT ( $V_{IN}$  RANGE FROM 4.5V TO 28V)

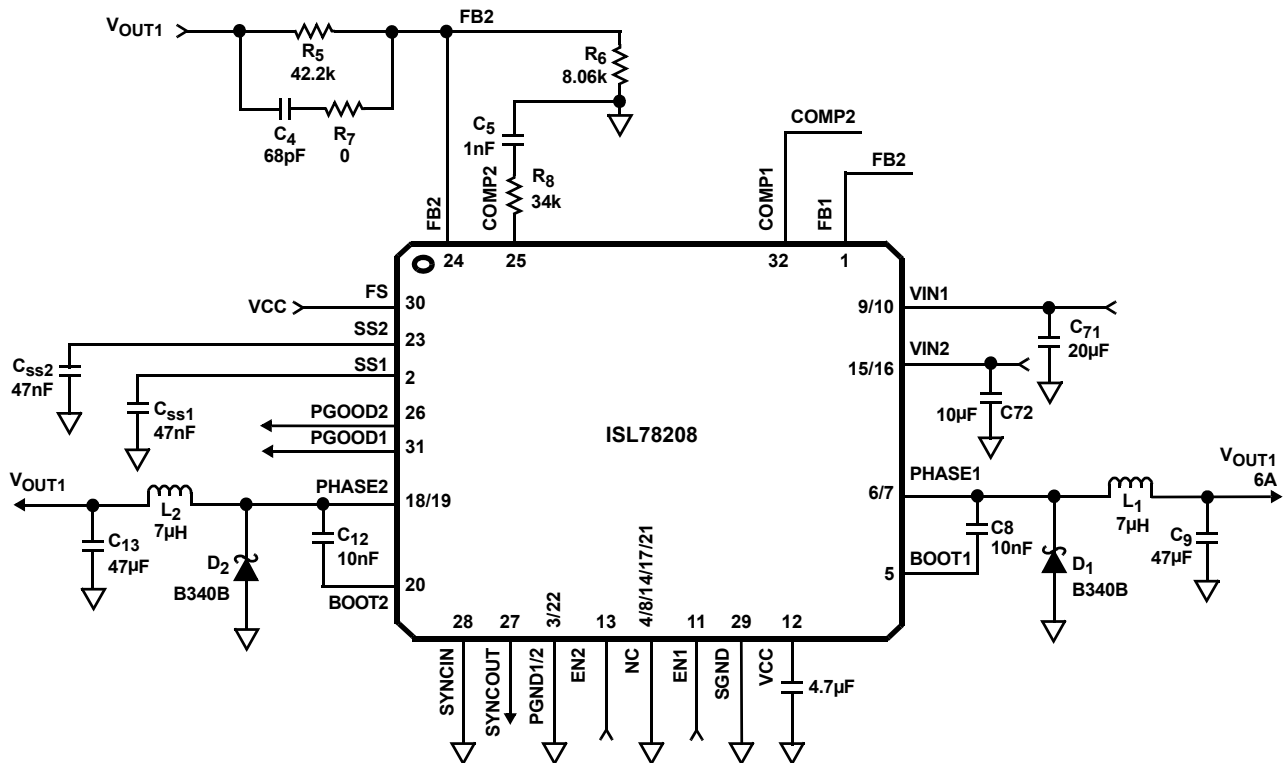
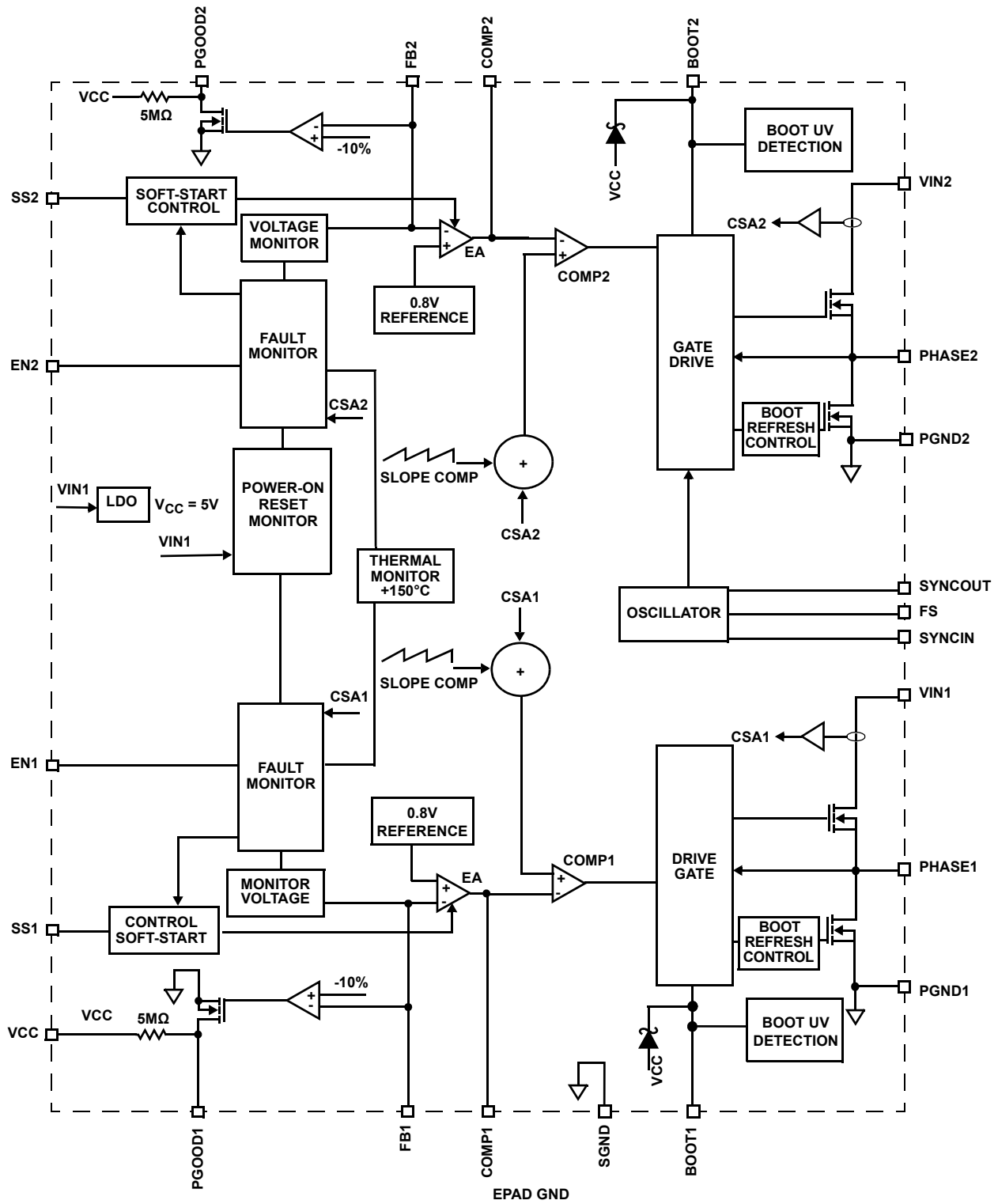


FIGURE 3. SINGLE 6A OUTPUT ( $V_{IN}$  RANGE FROM 4.5V TO 28V) CURRENT SHARING

# Functional Block Diagram



## Absolute Maximum Ratings

VIN1/2 to GND	-0.3V to +30V
PHASE1/2 to GND	-0.3V to +30V
BOOT1/2 to PHASE1/2	-0.3V to +5.9V
FS to GND	-0.3V to +5.9V
SYNCIN to GND	-0.3V to +5.9V
FB1/2 to GND	-0.3V to +2.95V
EN1/2 to GND	-0.3V to +5.9V
PGOOD1/2 to GND	-0.3V to +5.9V
COMP1/2 to GND	-0.3V to +5.9V
VCC to GND Short Maximum Duration	.1s
SYNCOUT to GND	-0.3V to +5.9V
SS1/2 to GND	-0.3V to +5.9V
ESD Rating	
Human Body Model (Tested per JESD22-A114)	4kV
Charged Device Model (Tested per AEC-Q100-011)	2.2kV
Machine Model (Tested per JESD22-A115)	300V
Latch Up (Tested per JESD-78A; Class 2, Level A)	100mA

## Thermal Information

Thermal Resistance (Typical)	$\theta_{JA}$ (°C/W)	$\theta_{JC}$ (°C/W)
WFQFN Package (Notes 4, 5)	30	1.5
Maximum Junction Temperature (Plastic Package)	+150°C	
Maximum Storage Temperature Range	-65°C to +150°C	
Ambient Temperature Range	-40°C to +105°C	
Junction Temperature Range	-55°C to +150°C	
Operating Temperature Range	-40°C to +105°C	

## Recommended Operating Conditions

Temperature	-40°C to +105°C
Supply Voltage	4.5V to 28V

CAUTION: Do not operate at or near the maximum ratings listed for extended periods of time. Exposure to such conditions can adversely impact product reliability and result in failures not covered by warranty.

### NOTES:

- $\theta_{JA}$  is measured in free air with the component mounted on a high effective thermal conductivity test board with direct attach features. See [TB379](#) for details.
- For  $\theta_{JC}$ , the case temperature location is the center of the exposed metal pad on the package underside.

**Electrical Specifications**  $T_A = -40^\circ\text{C}$  to  $+105^\circ\text{C}$ ,  $V_{IN} = 4.5\text{V}$  to  $28\text{V}$ , unless otherwise noted. Typical values are at  $T_A = +25^\circ\text{C}$ .  
**Boldface limits apply over the operating temperature range,  $-40^\circ\text{C}$  to  $+105^\circ\text{C}$**

PARAMETER	SYMBOL	TEST CONDITIONS	MIN (Note 8)	TYP	MAX (Note 8)	UNITS
<b>SUPPLY VOLTAGE</b>						
V <sub>IN</sub> Voltage Range	V <sub>IN</sub>		<b>4.5</b>		<b>28</b>	V
V <sub>IN</sub> Quiescent Supply Current	I <sub>Q</sub>			1.2	<b>2.2</b>	mA
V <sub>IN</sub> Shutdown Supply Current	I <sub>SD</sub>	EN1/2 = 0V		20	<b>45</b>	μA
V <sub>CC</sub> Voltage	V <sub>CC</sub>	V <sub>IN</sub> = 12V; I <sub>OUT</sub> = 0mA	<b>4.5</b>	5.1	<b>5.6</b>	V
<b>POWER-ON RESET</b>						
V <sub>IN</sub> POR Threshold		Rising Edge		3.9	<b>4.4</b>	V
		Falling Edge	<b>3.2</b>	3.7		V
<b>OSCILLATOR</b>						
Nominal Switching Frequency	F <sub>SW</sub>	FS = VCC	<b>420</b>	500	<b>580</b>	kHz
		Resistor from FS to GND = 383kΩ		300		kHz
		Resistor from FS to GND = 40.2kΩ		2000		kHz
FS Voltage	V <sub>FS</sub>	FS = 100kΩ	<b>780</b>	800	<b>820</b>	mV
Switching Frequency		SYNCIN = 600kHz		300		kHz
		1.2MHz ≤ SYNCIN ≤ 4MHz, +25°C	600		2000	kHz
		1.2MHz ≤ SYNCIN ≤ 4MHz, -40°C to +105°C	<b>600</b>		<b>1500</b>	
Minimum Off-Time	t <sub>OFF</sub>			130		ns
<b>ERROR AMPLIFIER</b>						
Error Amplifier Transconductance Gain	g <sub>m</sub>		<b>125</b>	205	<b>285</b>	μA/V
FB1, FB2 Leakage Current		V <sub>FB</sub> = 0.8V		10	<b>100</b>	nA
Current Sense Amplifier Gain	R <sub>T</sub>		<b>0.18</b>	0.21	<b>0.24</b>	V/A
Reference Voltage			<b>0.792</b>	0.8	<b>0.808</b>	V
Soft-Start Ramp Time		SS1/2 = VCC	<b>1.5</b>	2.5	<b>3.5</b>	ms

**Electrical Specifications**  $T_A = -40^\circ\text{C}$  to  $+105^\circ\text{C}$ ,  $V_{IN} = 4.5\text{V}$  to  $28\text{V}$ , unless otherwise noted. Typical values are at  $T_A = +25^\circ\text{C}$ .  
**Boldface limits apply over the operating temperature range,  $-40^\circ\text{C}$  to  $+105^\circ\text{C}$  (Continued)**

PARAMETER	SYMBOL	TEST CONDITIONS	MIN (Note 8)	TYP	MAX (Note 8)	UNITS
Soft-Start Charging Current	$I_{SS}$		<b>1.4</b>	2	<b>2.6</b>	$\mu\text{A}$
<b>POWER-GOOD</b>						
PG1, PG2 Trip Level PG to PGOOD1, PGOOD2		Rise		91	<b>94</b>	%
		Fall	<b>82.5</b>	85.5		%
PG1, PG2 Propagation Delay		Percentage of the soft-start time		10		%
PG1, PG2 Low Voltage		ISINK = 3mA		100	<b>300</b>	mV
<b>ENABLE INPUT</b>						
EN1, EN2 Leakage Current		EN1/2 = 0V/5V	<b>-1</b>		<b>1</b>	$\mu\text{A}$
EN1, EN2 Input Threshold Voltage		Low Level			<b>0.8</b>	V
		Float Level	<b>1.0</b>		<b>1.4</b>	V
		High Level	<b>2</b>			V
<b>SYNC INPUT/OUTPUT</b>						
SYNCIN Input Threshold		Falling Edge	<b>1.1</b>	1.4		V
		Rising Edge		1.6	<b>2.1</b>	V
		Hysteresis		200		mV
SYNCIN Leakage Current		SYNCIN = 0V/5V		10	<b>1000</b>	nA
SYNCIN Pulse Width			<b>100</b>			ns
SYNCOUT Phase-shift to SYNCIN		Measured from rising edge-to-rising edge, if duty cycle is 50%		180		$^\circ$
SYNCOUT Frequency Range		$T_A = +25^\circ\text{C}$	600		4000	kHz
		$T_A = -40^\circ\text{C}$ to $+105^\circ\text{C}$	<b>600</b>		<b>3000</b>	
SYNCOUT Output Voltage High		ISYNCOUT = 3mA	<b><math>V_{CC} - 0.3</math></b>	$V_{CC} - 0.08$		V
SYNCOUT Output Voltage Low				0.08	<b>0.3</b>	V
<b>FAULT PROTECTION</b>						
Thermal Shutdown Temperature	$T_{SD}$	Rising Threshold		150		$^\circ\text{C}$
	$T_{HYS}$	Hysteresis		20		$^\circ\text{C}$
Overcurrent Protection Threshold		(Note 7)	<b>4.1</b>	5.1	<b>6.1</b>	A
OCP Blanking Time				60		ns
<b>POWER MOSFET</b>						
Highside	$R_{HDS}$	$I_{PHASE} = 100\text{mA}$		75	<b>150</b>	$\text{m}\Omega$
Internal BOOT1, BOOT2 Refresh Lowside	$R_{LDS}$	$I_{PHASE} = 100\text{mA}$		1		$\Omega$
PHASE Leakage Current		EN1/2 = PHASE1/2 = 0V			<b>300</b>	nA
PHASE Rise Time	$t_{RISE}$	$V_{IN} = 25\text{V}$		10		ns

**NOTES:**

- Test Condition:  $V_{IN} = 28\text{V}$ , FB forced above regulation point (0.8V), no switching, and power MOSFET gate charging current not included.
- Established by both current sense amplifier gain test and current sense amplifier output test @  $I_L = 0\text{A}$ .
- Compliance to datasheet limits is assured by one or more methods: production test, characterization and/or design.



**Typical Performance Curves** Circuit of Figure 2.  $V_{IN} = 12V$ ,  $V_{OUT1} = 5V$ ,  $V_{OUT2} = 3.3V$ ,  $I_{OUT1} = 3A$ ,  $I_{OUT2} = 3A$ ,  $T_A = -40^\circ C$  to  $+105^\circ C$ , unless otherwise noted. Typical values are at  $T_A = +25^\circ C$ .

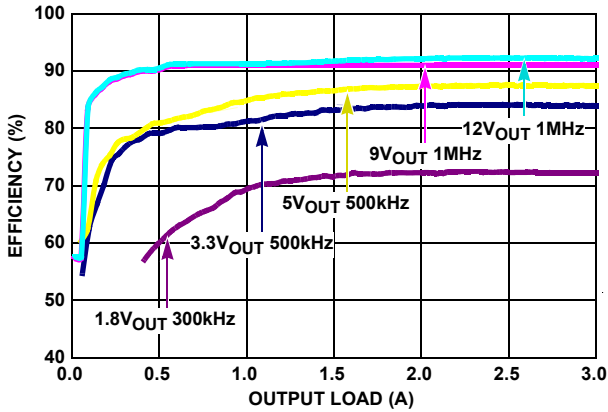


FIGURE 4. EFFICIENCY vs LOAD,  $T_A = +25^\circ C$ ,  $V_{IN} = 28V$

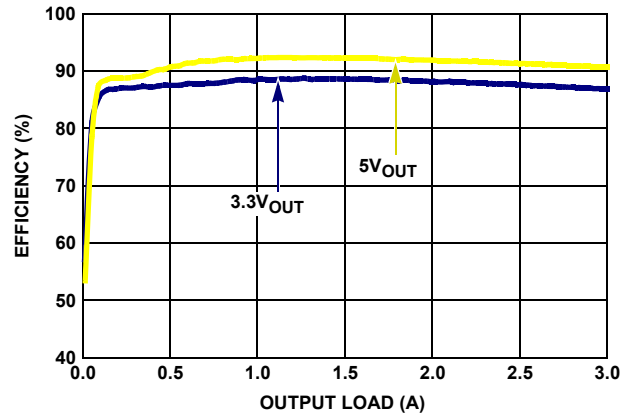


FIGURE 5. EFFICIENCY vs LOAD,  $T_A = +25^\circ C$ ,  $F_{SW} = 500kHz$ ,  $V_{IN} = 12V$

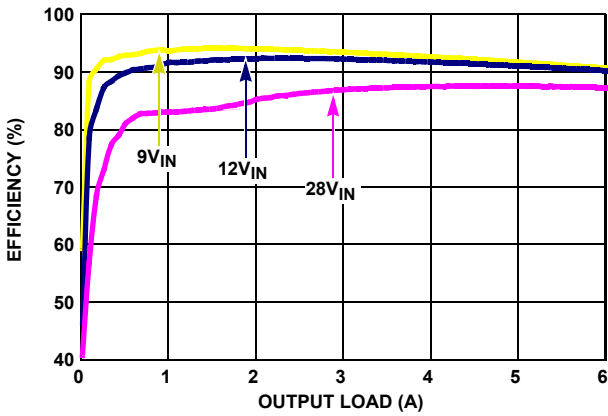


FIGURE 6. EFFICIENCY vs LOAD,  $T_A = +25^\circ C$ , CURRENT SHARING  $5V_{OUT}$ ,  $F_{SW} = 500kHz$

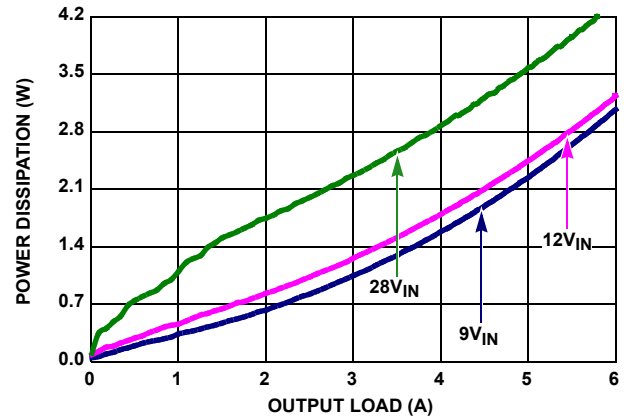


FIGURE 7. POWER DISSIPATION vs LOAD,  $T_A = +25^\circ C$ , CURRENT SHARING  $5V_{OUT}$ ,  $F_{SW} = 500kHz$

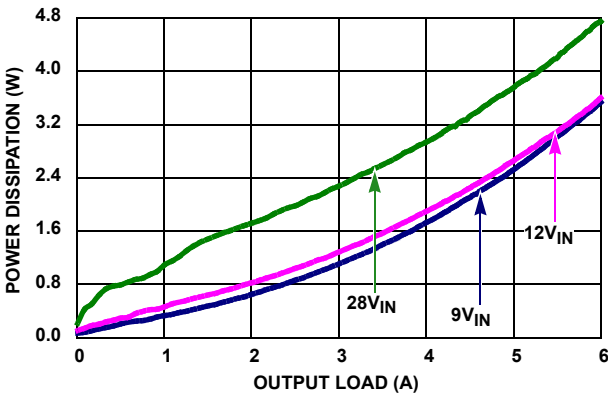


FIGURE 8. POWER DISSIPATION vs LOAD,  $T_A = +85^\circ C$ , CURRENT SHARING  $5V_{OUT}$ ,  $F_{SW} = 500kHz$

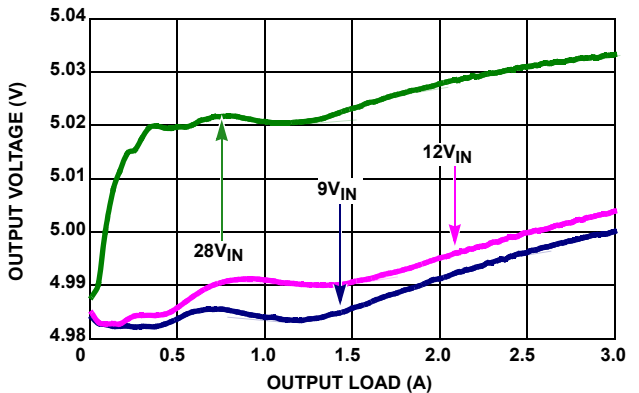


FIGURE 9.  $V_{OUT}$  REGULATION vs LOAD, CHANNEL 1,  $T_A = +25^\circ C$ ,  $5V_{OUT}$ ,  $F_{SW} = 500kHz$

## Typical Performance Curves

Circuit of Figure 2.  $V_{IN} = 12V$ ,  $V_{OUT1} = 5V$ ,  $V_{OUT2} = 3.3V$ ,  $I_{OUT1} = 3A$ ,  $I_{OUT2} = 3A$ ,  $T_A = -40^\circ C$  to  $+105^\circ C$ , unless otherwise noted. Typical values are at  $T_A = +25^\circ C$ . (Continued)

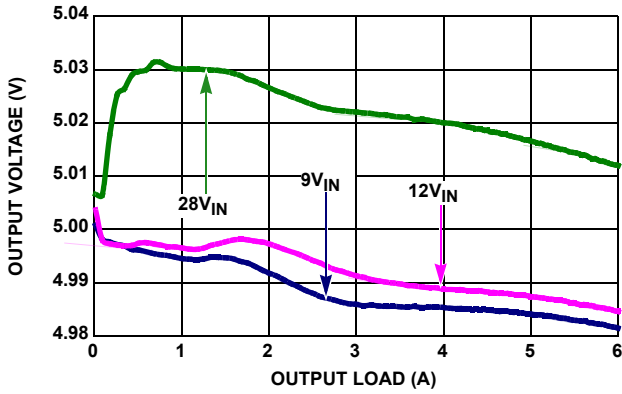


FIGURE 10.  $V_{OUT}$  REGULATION vs LOAD, CURRENT SHARING,  $T_A = +25^\circ C$ ,  $5V_{OUT}$ ,  $F_{SW} = 500kHz$

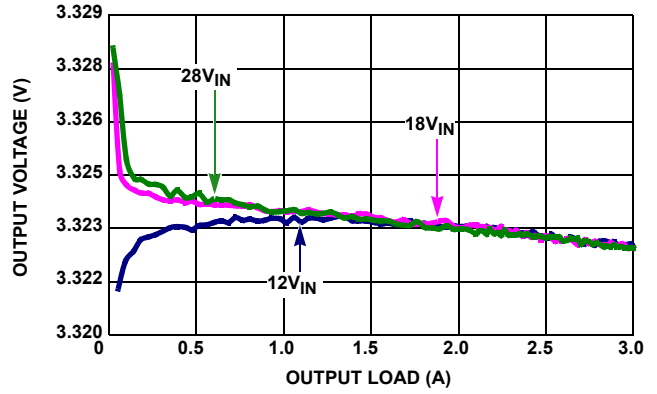


FIGURE 11.  $V_{OUT}$  REGULATION vs LOAD, CHANNEL 2,  $T_A = +25^\circ C$ ,  $3.3V_{OUT}$ ,  $F_{SW} = 500kHz$

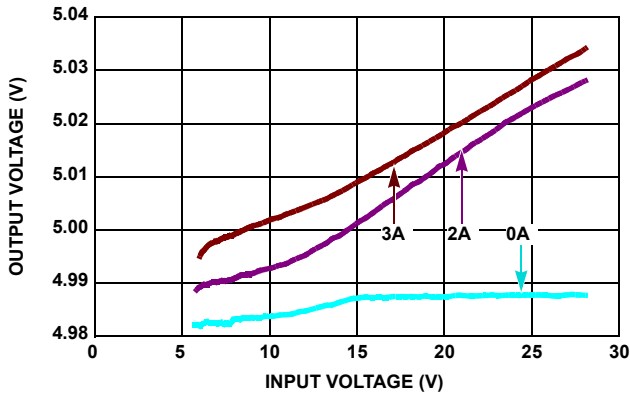


FIGURE 12. OUTPUT VOLTAGE REGULATION vs  $V_{IN}$ , CHANNEL 1,  $T_A = +25^\circ C$ ,  $5V_{OUT}$ ,  $F_{SW} = 500kHz$

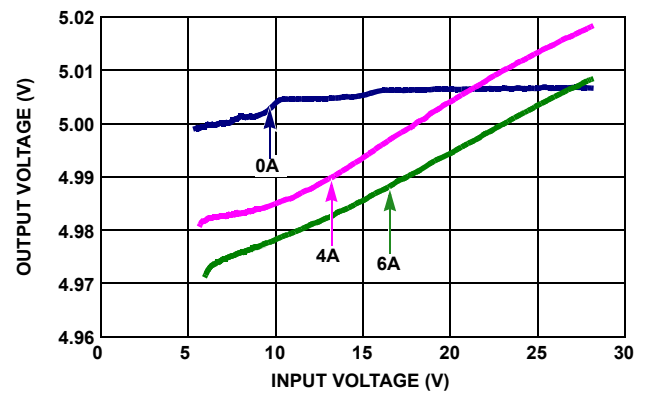


FIGURE 13. OUTPUT VOLTAGE REGULATION vs  $V_{IN}$ , CURRENT SHARING,  $T_A = +25^\circ C$ ,  $5V_{OUT}$ ,  $F_{SW} = 500kHz$

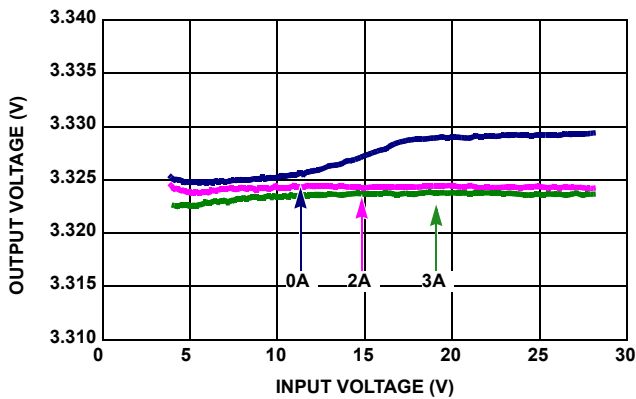


FIGURE 14. OUTPUT VOLTAGE REGULATION vs  $V_{IN}$ , CHANNEL 2,  $T_A = +25^\circ C$ ,  $3.3V_{OUT}$ ,  $F_{SW} = 500kHz$

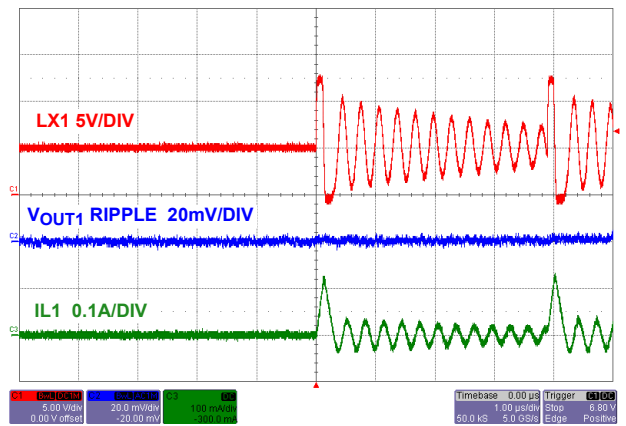
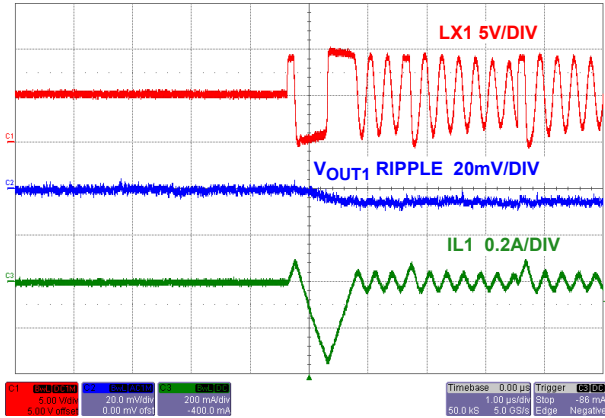
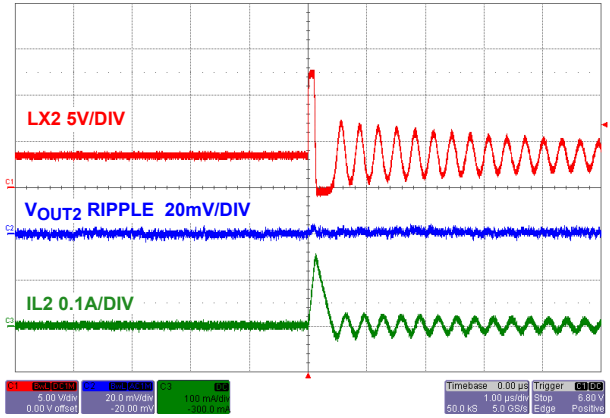


FIGURE 15. STEADY STATE OPERATION AT NO LOAD CHANNEL 1

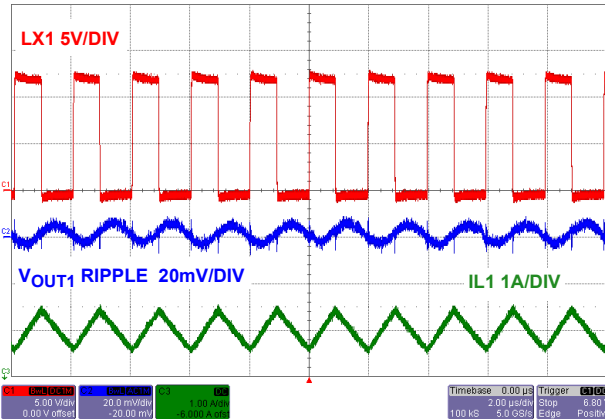
**Typical Performance Curves** Circuit of Figure 2.  $V_{IN} = 12V$ ,  $V_{OUT1} = 5V$ ,  $V_{OUT2} = 3.3V$ ,  $I_{OUT1} = 3A$ ,  $I_{OUT2} = 3A$ ,  $T_A = -40^\circ C$  to  $+105^\circ C$ , unless otherwise noted. Typical values are at  $T_A = +25^\circ C$ . (Continued)



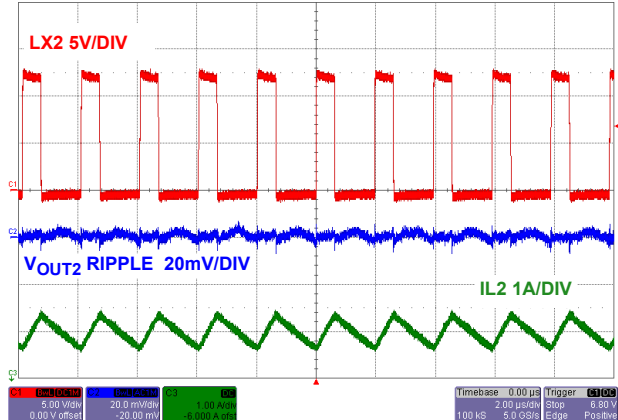
**FIGURE 16. STEADY STATE OPERATION AT NO LOAD CHANNEL 1**  
( $V_{IN} = 9V$ )



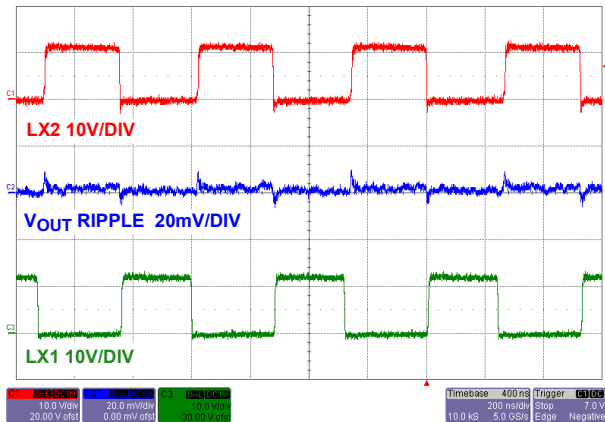
**FIGURE 17. STEADY STATE OPERATION AT NO LOAD CHANNEL 2**



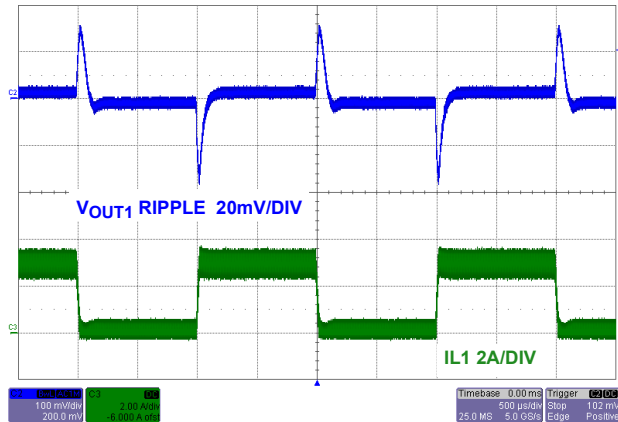
**FIGURE 18. STEADY STATE OPERATION WITH FULL LOAD CHANNEL 1**



**FIGURE 19. STEADY STATE OPERATION WITH FULL LOAD CHANNEL 2**



**FIGURE 20. STEADY STATE OPERATION WITH FULL LOAD CURRENT SHARING**



**FIGURE 21. LOAD TRANSIENT CHANNEL 1**

# Typical Performance Curves

Circuit of Figure 2.  $V_{IN} = 12V$ ,  $V_{OUT1} = 5V$ ,  $V_{OUT2} = 3.3V$ ,  $I_{OUT1} = 3A$ ,  $I_{OUT2} = 3A$ ,  $T_A = -40^{\circ}C$  to  $+105^{\circ}C$ , unless otherwise noted. Typical values are at  $T_A = +25^{\circ}C$ . (Continued)

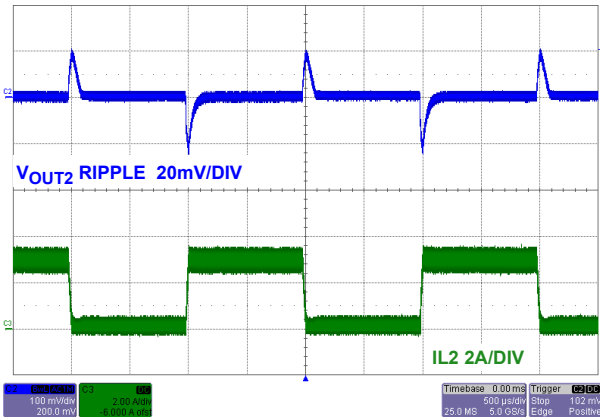


FIGURE 22. LOAD TRANSIENT CHANNEL 2

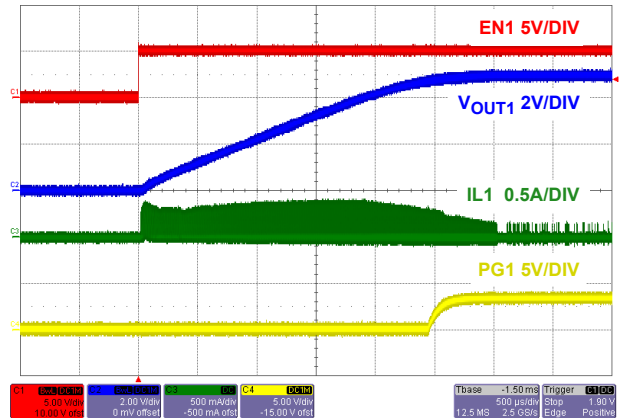


FIGURE 23. SOFT-START WITH NO LOAD CHANNEL 1

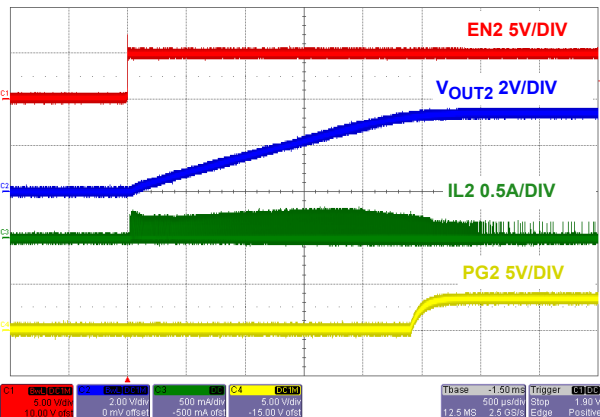


FIGURE 24. SOFT-START WITH NO LOAD CHANNEL 2

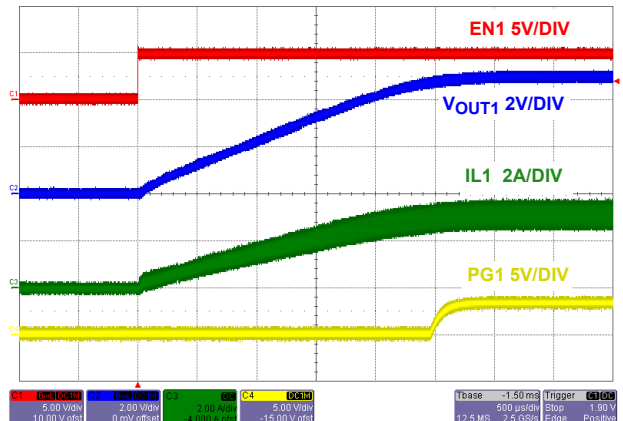


FIGURE 25. SOFT-START AT FULL LOAD CHANNEL 1

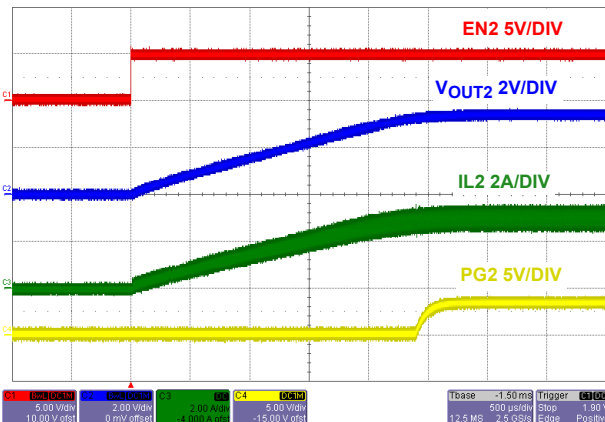


FIGURE 26. SOFT-START AT FULL LOAD CHANNEL 2

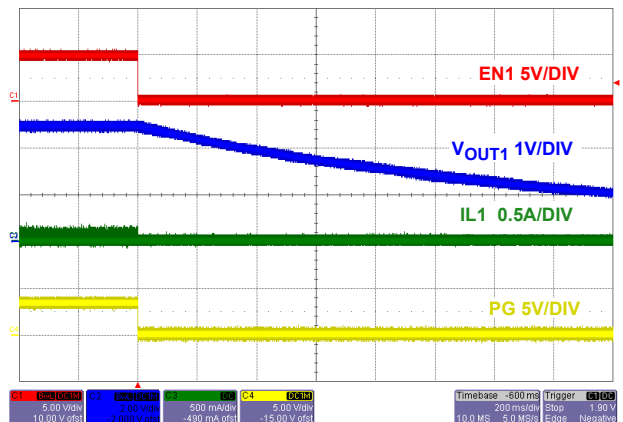


FIGURE 27. SHUTDOWN WITH NO LOAD CHANNEL 1

# Typical Performance Curves

Circuit of Figure 2.  $V_{IN} = 12V$ ,  $V_{OUT1} = 5V$ ,  $V_{OUT2} = 3.3V$ ,  $I_{OUT1} = 3A$ ,  $I_{OUT2} = 3A$ ,  $T_A = -40^\circ C$  to  $+105^\circ C$ , unless otherwise noted. Typical values are at  $T_A = +25^\circ C$ . (Continued)

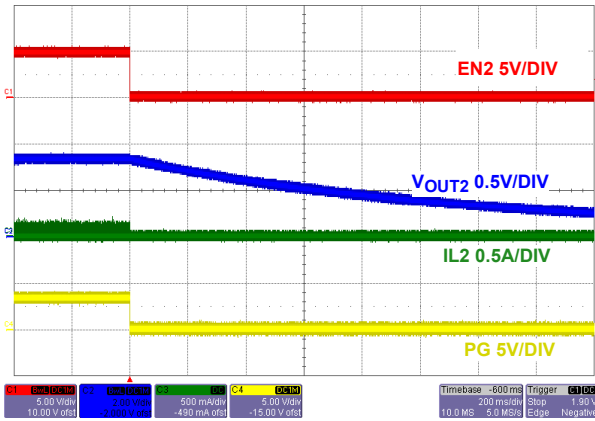


FIGURE 28. SHUTDOWN WITH NO LOAD CHANNEL 2

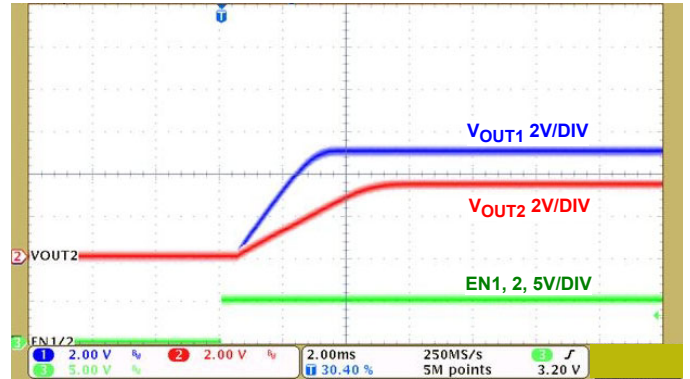


FIGURE 29. INDEPENDENT START-UP SEQUENCING AT NO LOAD

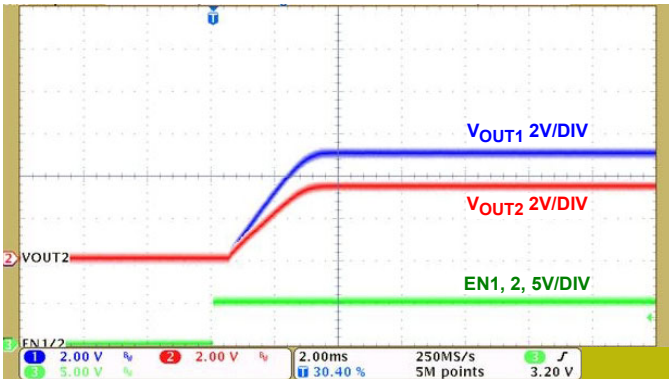


FIGURE 30. RATIOMETRIC START-UP SEQUENCING AT NO LOAD

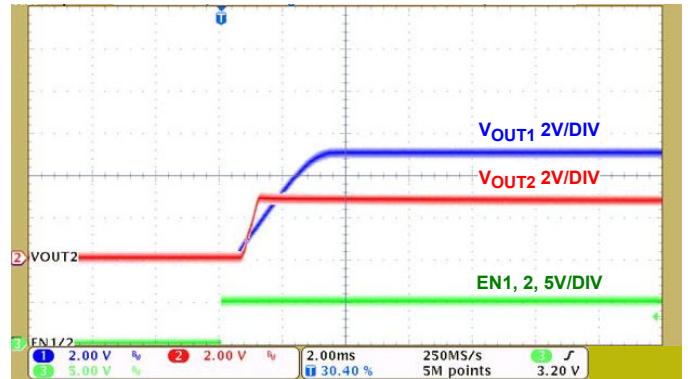


FIGURE 31. ABSOLUTE START-UP SEQUENCING AT NO LOAD

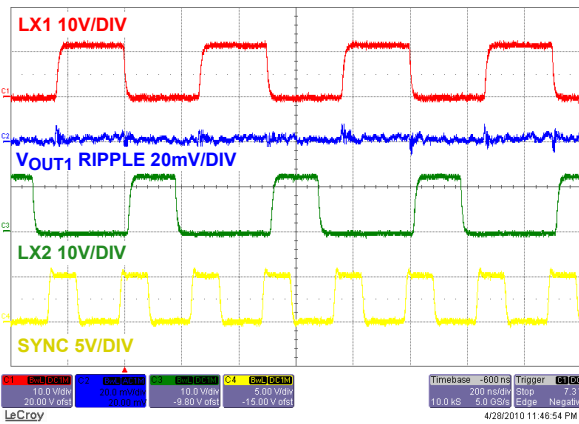


FIGURE 32. STEADY STATE OPERATION CHANNEL 1 AT FULL LOAD WITH SYNC FREQUENCY = 4MHz

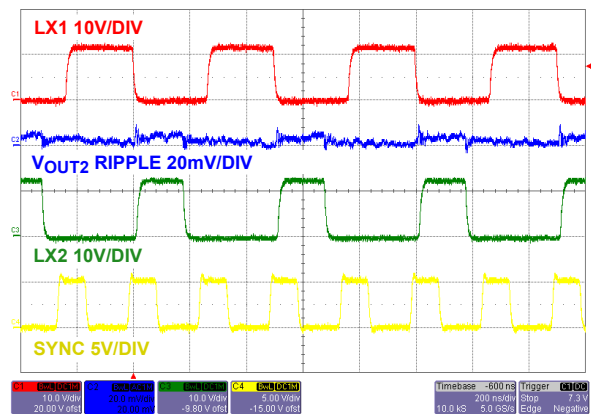


FIGURE 33. STEADY STATE OPERATION CHANNEL 2 AT FULL LOAD WITH SYNC FREQUENCY = 4MHz

# Typical Performance Curves

Circuit of Figure 2.  $V_{IN} = 12V$ ,  $V_{OUT1} = 5V$ ,  $V_{OUT2} = 3.3V$ ,  $I_{OUT1} = 3A$ ,  $I_{OUT2} = 3A$ ,  $T_A = -40^{\circ}C$  to  $+105^{\circ}C$ , unless otherwise noted. Typical values are at  $T_A = +25^{\circ}C$ . (Continued)

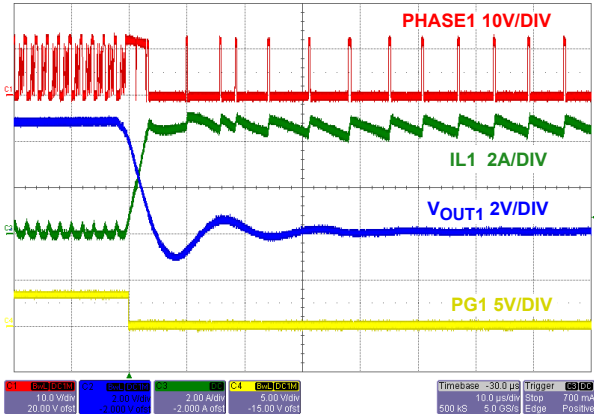


FIGURE 34. OUTPUT SHORT CIRCUIT CHANNEL 1

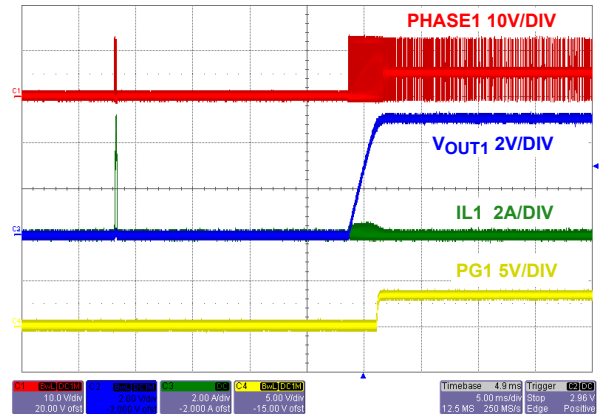


FIGURE 35. OUTPUT SHORT CIRCUIT HICCUP AND RECOVERY FOR CHANNEL 1

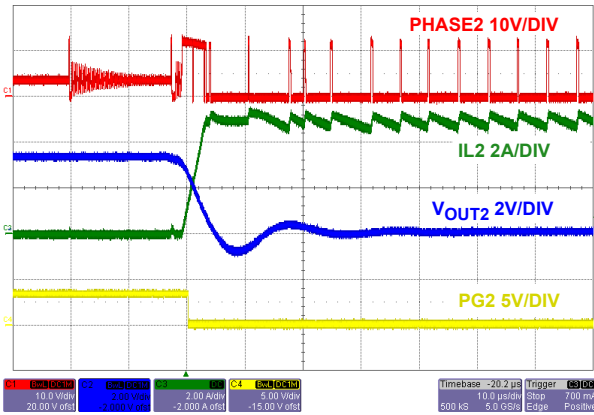


FIGURE 36. OUTPUT SHORT CIRCUIT CHANNEL 2

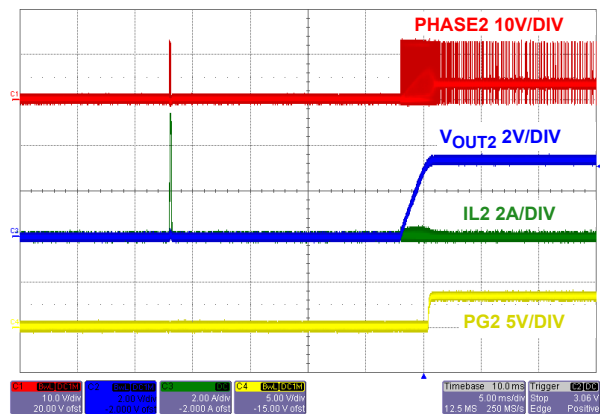


FIGURE 37. OUTPUT SHORT CIRCUIT HICCUP AND RECOVERY FOR CHANNEL 2

## Detailed Description

The ISL78208 combines a standard buck PWM controller with an integrated switching MOSFET. The buck controller drives an internal N-Channel MOSFET and requires an external diode to deliver load current up to 3A. A Schottky diode is recommended for improved efficiency and performance over a standard diode. The standard buck regulator can operate from an unregulated DC source, such as a battery, with a voltage ranging from +4.5V to +28V. The converter output can be regulated to as low as 0.8V. These features make the ISL78208 ideally suited for infotainment system power, and DSP and embedded processor power supply applications.

The ISL78208 employs a peak current mode control loop which simplifies feedback loop compensation and rejects input voltage variation. External feedback loop compensation allows flexibility in output filter component selection. The regulator switches at a default 500kHz and it can be adjusted from 300kHz to 2MHz with a resistor from FS to GND. The ISL78208 is also synchronizable from 300kHz to 2MHz.

## Operation Initialization

The power-ON reset circuitry and enable inputs prevent false start-up of the PWM regulator output. Once all input criteria are met, the controller soft-starts the output voltage to the programmed level.

### Power-On Reset and Undervoltage Lockout

The ISL78208 automatically initializes upon receipt of input power supply. The power-on reset (POR) function continually monitors VIN1 voltage. While below the POR threshold, the controller inhibits switching of the internal power MOSFET. Once exceeded, the controller initializes the internal soft-start circuitry. If VIN1 supply drops below their falling POR threshold during soft-start or operation, the buck regulator is disabled until the input voltage returns.

### Enable and Disable

When EN1 and EN2 are pulled low, the device enters shutdown mode and the supply current drops to a typical value of 20μA. All internal power devices are held in a high-impedance state while in shutdown mode.

The EN pin enables the controller of the ISL78208. When the voltage on the EN pin exceeds its logic rising threshold, the controller initiates the 2ms soft-start function for the PWM regulator. If the voltage on the EN pin drops below the falling threshold, the buck regulator shuts down.

If EN1, EN2 pins are driven by an external signal, the minimum off-time for EN1, EN2 should be:

$$EN\_T\_off (\mu s) = 10\mu s \cdot C_{SS} / 2.2nF \quad (EQ. 1)$$

where  $C_{SS}$  is the soft-start pin capacitor (nF). ISL78208 does not have debouncing to EN1, EN2 external signals.

### Power-Good

PG is the open-drain output of a window comparator that continuously monitors the buck regulator output voltage via the FB

pin. PG is actively held low when EN is low and during the buck regulator soft-start period. After the soft-start period terminates, PG becomes high impedance as long as the output voltage (monitored on the FB pin) is above 90% of the nominal regulation voltage set by FB. When  $V_{OUT}$  drops 10% below the nominal regulation voltage, the ISL78208 pulls PG low. Any fault condition forces PG low until the fault condition is cleared by attempts to soft-start. There is an internal 5MΩ internal pull-up resistor.

## Output Voltage Selection

The regulator output voltages is easily programmed using an external resistor divider to scale  $V_{OUT}$  relative to the internal reference voltage. The scaled voltage is applied to the inverting input of the error amplifier; refer to Figure 38.

The output voltage programming resistor,  $R_2$ , depends on the value chosen for the feedback resistor,  $R_3$ , and the desired output voltage,  $V_{OUT}$ , of the regulator. Equation 2 describes the relationship between  $V_{OUT}$  and resistor values.  $R_3$  is often chosen to be in the 1kΩ to 10kΩ range.

$$R_2 = (V_{OUT} - 0.8) \cdot R_3 / 0.8 \quad (EQ. 2)$$

If the desired output voltage is 0.8V, then  $R_3$  is left unpopulated and  $R_2$  is 0Ω.

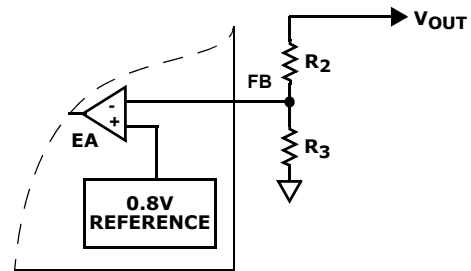


FIGURE 38. EXTERNAL RESISTOR DIVIDER

## Output Tracking and Sequencing

Output tracking and sequencing between channels can be implemented by using the SS1 and SS2 pins. Figures 39, 40 and 41 show several configurations for output tracking/sequencing for a 5.0V and 3.3V application. Independent soft-start for each channel is shown in Figure 39 and measured in Figure 29. The output ramp-time for each channel ( $t_{SS}$ ) is set by the soft-start capacitor ( $C_{SS}$ ).

$$C_{SS}[\mu F] = 2.5 \cdot t_{SS}(s) \quad (EQ. 3)$$

Maximum  $C_{SS}$  value is 50nF.

Ratiometric tracking is achieved in Figure 40 by using the same value for the soft-start capacitor on each channel; it is measured in Figure 30.

By connecting a feedback network from  $V_{OUT1}$  to the SS2 pin with the same ratio that sets  $V_{OUT2}$  voltage, absolute tracking shown in Figure 41 is implemented. The measurement is shown in Figure 31. If the output of Channel 1 is shorted to GND, it will enter overcurrent hiccup mode, SS2 will be pulled low through the added resistor between  $V_{OUT1}$  and SS2 and this will force Channel 2 into hiccup as well. If the output of Channel 2 is

shorted to GND with VOUT1 in regulation, it will enter overcurrent hiccup mode with a very short hiccup waiting time. The reason is that VOUT1 is still in regulation and can pull-up SS2 very quickly via the resistor added between VOUT1 and SS2.

Figure 42 illustrates output sequencing. When EN1 is high and EN2 is floating, OUT1 comes up first and OUT2 won't start until OUT1 > 90% of its regulation point. If EN1 is floating and EN2 is high, OUT2 comes up first and OUT1 won't start until OUT2 > 90% of its regulation point. If EN1 = EN2 = high, OUT1 and OUT2 come up at the same time. Please refer to Table 1 for conditions related to Figure 42 (Output Sequencing).

TABLE 1. OUTPUT SEQUENCING

EN1	EN2	VOUT1	VOUT2	NOTE
High	Floating	First	After VOUT1 > 90%	
Floating	High	After VOUT2 > 90%	First	
High	High	Same time as VOUT2	Same time as VOUT1	
Floating	Floating			Not Allowed

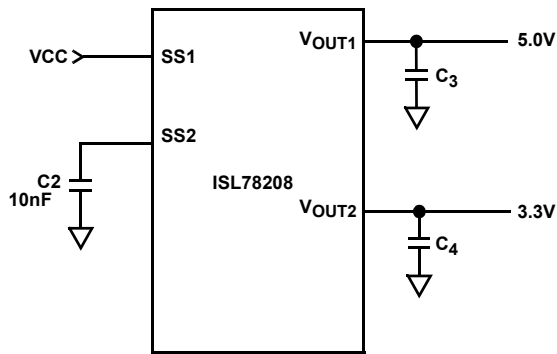


FIGURE 39. INDEPENDENT START-UP

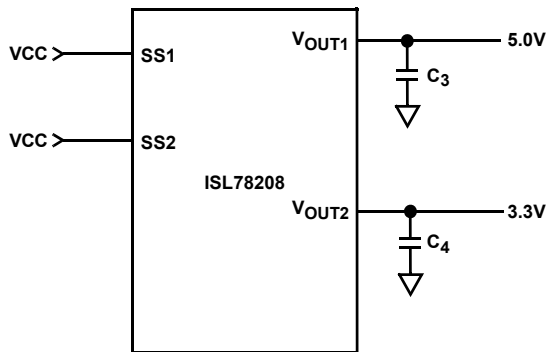


FIGURE 40. RATIOMETRIC START-UP

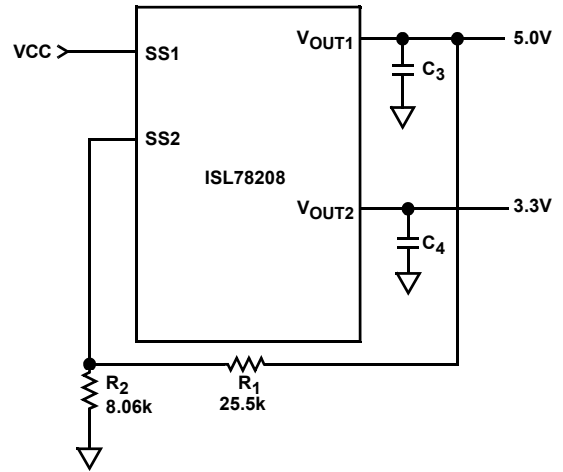


FIGURE 41. ABSOLUTE START-UP

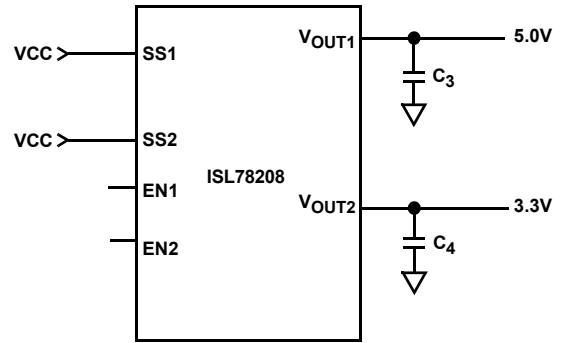


FIGURE 42. OUTPUT SEQUENCING

## Protection Features

The ISL78208 limits the current in all on-chip power devices. Overcurrent protection limits the current on the two buck regulators and internal LDO for VCC.

### Buck Regulator Overcurrent Protection

During the PWM on-time, the current through the internal switching MOSFET is sampled and scaled through an internal pilot device. The sampled current is compared to a nominal 5A overcurrent limit. If the sampled current exceeds the overcurrent limit reference level, an internal overcurrent fault counter is set to 1 and an internal flag is set. The internal power MOSFET is immediately turned off and will not be turned on again until the next switching cycle.

The protection circuitry continues to monitor the current and turns off the internal MOSFET as described. If the overcurrent condition persists for 17 sequential clock cycles, the overcurrent fault counter overflows indicating an overcurrent fault condition exists. The regulator is shut down and power-good goes low.

The buck controller attempts to recover from the overcurrent condition after waiting 8 soft-start cycles. The internal overcurrent flag and counter are reset. A normal soft-start cycle is attempted and normal operation continues if the fault condition has cleared. If the overcurrent fault counter overflows during soft-start, the converter shuts down and this hiccup mode operation repeats.



## Thermal Overload Protection

Thermal overload protection limits maximum junction temperature in the ISL78208. When the junction temperature ( $T_j$ ) exceeds  $+150^\circ\text{C}$ , a thermal sensor sends a signal to the fault monitor.

The fault monitor commands the buck regulator to shut down. When the junction temperature has decreased by  $20^\circ\text{C}$ , the regulator will attempt a normal soft-start sequence and return to normal operation. For continuous operation, the  $+125^\circ\text{C}$  junction temperature rating should not be exceeded.

## BOOT Undervoltage Protection

If the BOOT capacitor voltage falls below 2.5V, the BOOT undervoltage protection circuit will pull the phase pin low through a  $1\Omega$  switch for 400ns to recharge the capacitor. This operation may arise during long periods of no switching as in no load situations.

## Application Guidelines

### Operating Frequency

The ISL78208 operates at a default switching frequency of 500kHz if FS is tied to VCC. Tie a resistor from FS to GND to program the switching frequency from 300kHz to 2MHz, as shown in Equation 4.

$$R_{FS}[\text{k}\Omega] = 122\text{k}\Omega \cdot (t - 0.17\mu\text{s}) \quad (\text{EQ. 4})$$

Where:

t is the switching period in  $\mu\text{s}$ .

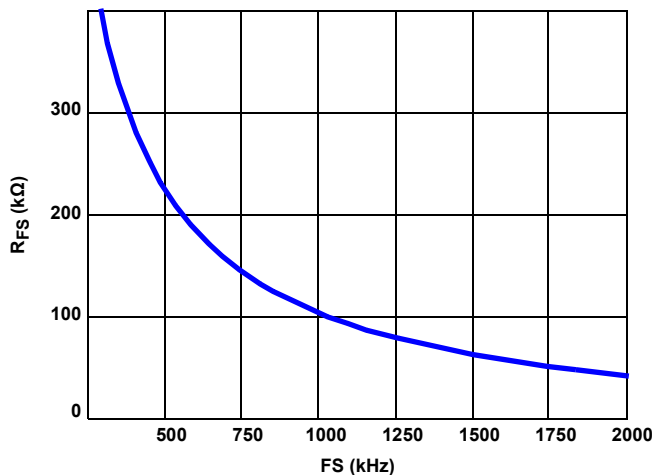


FIGURE 43.  $R_{FS}$  SELECTION vs FS

### Synchronization Control

The frequency of operation can be synchronized up to 2MHz by an external signal applied to the SYNCIN pin. The falling edge on the SYNCIN triggers the rising edge of PHASE1/2. The switching frequency for each output is half of the SYNCIN frequency.

## Output Inductor Selection

The inductor value determines the converter's ripple current. Choosing an inductor current requires a somewhat arbitrary choice of ripple current,  $\Delta I$ . A reasonable starting point is 30% of total load current. The inductor value can then be calculated using Equation 5:

$$L = \frac{V_{IN} - V_{OUT}}{F_S \times \Delta I} \times \frac{V_{OUT}}{V_{IN}} \quad (\text{EQ. 5})$$

Increasing the value of inductance reduces the ripple current and thus ripple voltage. However, the larger inductance value may reduce the converter's response time to a load transient. The inductor current rating should be such that it will not saturate in overcurrent conditions.

## Buck Regulator Output Capacitor Selection

An output capacitor is required to filter the inductor current. Output ripple voltage and transient response are 2 critical factors when considering output capacitance choice. The current mode control loop allows the usage of low ESR ceramic capacitors and thus smaller board layout. Electrolytic and polymer capacitors may also be used.

Additional consideration applies to ceramic capacitors. While they offer excellent overall performance and reliability, the actual in-circuit capacitance must be considered. Ceramic capacitors are rated using large peak-to-peak voltage swings and with no DC bias. In the DC/DC converter application, these conditions do not reflect reality. As a result, the actual capacitance may be considerably lower than the advertised value. Consult the manufacturers data sheet to determine the actual in-application capacitance. Most manufacturers publish capacitance vs DC bias so that this effect can be easily accommodated. The effects of AC voltage are not frequently published, but an assumption of  $\sim 20\%$  further reduction will generally suffice. The result of these considerations can easily result in an effective capacitance 50% lower than the rated value. Nonetheless, they are a very good choice in many applications due to their reliability and extremely low ESR.

The following equations allow calculation of the required capacitance to meet a desired ripple voltage level. Additional capacitance may be used.

For the ceramic capacitors (low ESR):

$$V_{OUT\text{ripple}} = \frac{\Delta I}{8 \cdot F_{SW} \cdot C_{OUT}} \quad (\text{EQ. 6})$$

where  $\Delta I$  is the inductor's peak-to-peak ripple current,  $F_{SW}$  is the switching frequency and  $C_{OUT}$  is the output capacitor.

If using electrolytic capacitors then:

$$V_{OUT\text{ripple}} = \Delta I \cdot \text{ESR} \quad (\text{EQ. 7})$$

Regarding transient response needs, a good starting point is to determine the allowable overshoot in  $V_{OUT}$  if the load is suddenly removed. In this case, energy stored in the inductor will be transferred to  $C_{OUT}$  causing its voltage to rise. After calculating capacitance required for both ripple and transient needs, choose the larger of the calculated values. Equation 8 determines the

required output capacitor value in order to achieve a desired overshoot relative to the regulated voltage.

$$C_{OUT} = \frac{I_{OUT}^2 \cdot L}{V_{OUT}^2 \cdot (V_{OUTMAX}/V_{OUT})^2 - 1} \quad (\text{EQ. 8})$$

where  $V_{OUTMAX}/V_{OUT}$  is the relative maximum overshoot allowed during the removal of the load. For an overshoot of 5%, the equation becomes Equation 9:

$$C_{OUT} = \frac{I_{OUT}^2 \cdot L}{V_{OUT}^2 \cdot (1.05)^2 - 1} \quad (\text{EQ. 9})$$

The graph in Figure 44 shows the relationship of  $C_{OUT}$  and % overshoot at 3 different output voltages. L is assumed to be 7 $\mu$ H and  $I_{OUT}$  is 3A.

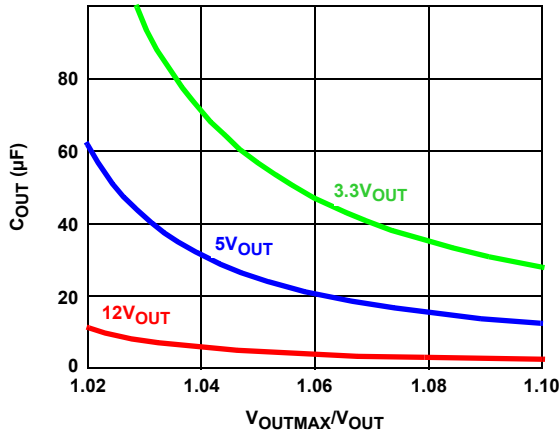


FIGURE 44.  $C_{OUT}$  vs OVERSHOOT  $V_{OUTMAX}/V_{OUT}$

## Current Sharing Configuration

In current sharing configuration, FB1 is connected to FB2, EN1 to EN2, COMP1 to COMP2 and  $V_{OUT1}$  to  $V_{OUT2}$  as shown in Figure 3. As a result, the equivalent  $g_m$  doubles its single channel value. Since the two channels are out-of-phase, the frequency will be 2X the channel switching frequency. Ripple current cancellation will reduce the ripple current seen by the output capacitors and thus lower the ripple voltage. This results in the ability to use less capacitance than would be required by a single phase design of similar rating. Ripple current cancellation also reduces the ripple current seen at the input capacitors.

## Input Capacitor Selection

To reduce the resulting input voltage ripple and to minimize EMI by forcing the very high frequency switching current into a tight local loop, an input capacitor is required. The input capacitor must have adequate ripple current rating, which can be approximated by the Equation 10.

If capacitors other than MLCC are used, attention must be paid to ripple and surge current ratings.

$$\frac{I_{RMS}}{I_o} = \sqrt{D - D^2} \quad (\text{EQ. 10})$$

where  $D = V_o/V_{IN}$

The input ripple current is graphically represented in Figure 45.

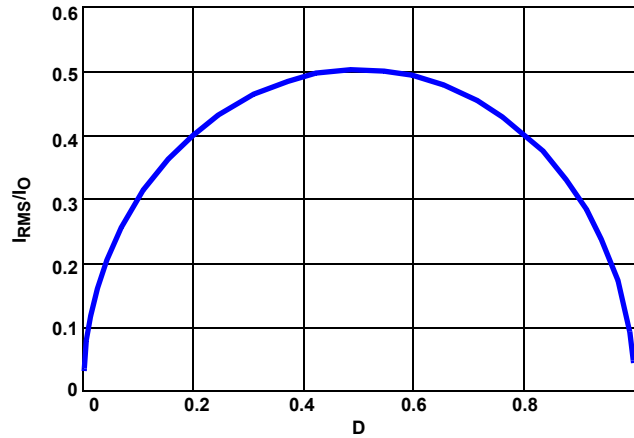


FIGURE 45.  $I_{RMS}/I_o$  vs DUTY CYCLE

A minimum of 10 $\mu$ F ceramic capacitance is required on each VIN pin. The capacitors must be as close to the IC as physically possible. Additional capacitance may be used.

## Loop Compensation Design

ISL78208 uses a constant frequency current mode control architecture to achieve simplified loop compensation and fast loop transient response.

The compensator schematic is shown in Figure 47. As mentioned in the  $C_{OUT}$  selection, ISL78208 allows the usage of low ESR output capacitor. Choice of the loop bandwidth  $f_c$  is somewhat arbitrary but should not exceed 1/4 of the switching frequency. As a starting point, the lower of 100kHz or 1/6 of the switching frequency is reasonable. The following equations determine initial component values for the compensation, allowing the designer to make the selection with minimal effort. Further detail is provided in "Theory of Compensation" on page 19 to allow fine tuning of the compensator.

Compensation resistor  $R_1$  is given by Equation 11:

$$R_1 = \frac{2\pi f_c V_o C_o R_T}{g_m V_{FB}} \quad (\text{EQ. 11})$$

which when applied to ISL78208 becomes Equation 12:

$$R_1 [\text{k}\Omega] = 0.008247 * f_c * V_o * C_o \quad (\text{EQ. 12})$$

where  $C_o$  is the output capacitor value [ $\mu$ F],  $f_c$  = loop bandwidth [kHz] and  $V_o$  is the output voltage [V].

Compensation capacitors  $C_1$  [nF],  $C_2$  [pF] are given by Equation 13:

$$C_1 = \frac{C_o \times V_o \times (10)^3}{I_o \times R_1}, C_2 = \frac{C_o \times R_c \times (10)^6}{R_1} \quad (\text{EQ. 13})$$

where  $I_o$  [A] is the output load current,  $R_1$  ( $\Omega$ ) and  $R_c$  ( $\Omega$ ) is the ESR of the output capacitor  $C_o$ .

Example:  $V_o = 5V$ ,  $I_o = 3A$ ,  $f_s = 500\text{kHz}$ ,  $f_c = 50\text{kHz}$ ,  $C_o = 47\mu\text{F}/R_c = 5\text{m}\Omega$ , then the compensation resistance  $R_1 = 96\text{k}\Omega$ .

The compensation capacitors are:

$C_1 = 815\text{pF}$ ,  $C_2 = 2.5\text{pF}$  (There is approximately 3pF parasitic capacitance from  $V_{COMP}$  to GND; therefore,  $C_2$  is optional).

## Theory of Compensation

The sensed current signal is injected into the voltage loop to achieve current mode control to simplify the loop compensation design. The inductor is not considered as a state variable for current mode control and the system becomes a single order system. It is much easier to design a compensator to stabilize the voltage loop than voltage mode control. Figure 46 shows the small signal model of the synchronous buck regulator.

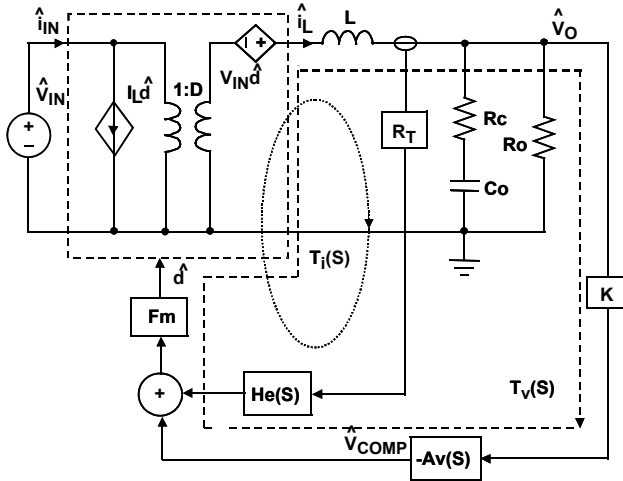


FIGURE 46. SMALL SIGNAL MODEL OF SYNCHRONOUS BUCK REGULATOR

### PWM Comparator Gain $F_m$

The PWM comparator gain  $F_m$  for peak current mode control is given by Equation 14:

$$F_m = \frac{\hat{d}}{V_{comp}} = \frac{1}{(S_e + S_n)T_s} \quad (\text{EQ. 14})$$

Where  $S_e$  is the slew rate of the slope compensation and  $S_n$  is given by Equation 15.

$$S_n = R_t \frac{V_{in} - V_o}{L} \quad (\text{EQ. 15})$$

Where:

$R_t$  is trans-resistance, and is the product of the current sensing resistance and gain of the current amplifier in current loop.

### CURRENT SAMPLING TRANSFER FUNCTION $H_e(S)$

In current loop, the current signal is sampled every switching cycle. Equation 16 shows the transfer function:

$$H_e(S) = \frac{S^2}{\omega_n^2} + \frac{S}{\omega_n Q_n} + 1 \quad (\text{EQ. 16})$$

Where  $Q_n$  and  $\omega_n$  are given by  $Q_n = -\frac{2}{\pi}$ ,  $\omega_n = \pi f_s$ .

## Power Stage Transfer Functions

Transfer function  $F_1(S)$  from control to output voltage is calculated in Equation 17:

$$F_1(S) = \frac{\hat{V}_o}{\hat{d}} = V_{in} \frac{1 + \frac{S}{\omega_{esr}}}{\frac{S^2}{\omega_o^2} + \frac{S}{\omega_o Q_p} + 1} \quad (\text{EQ. 17})$$

Where  $\omega_{esr} = \frac{1}{R_c C_o}$ ,  $Q_p \approx R_o \sqrt{\frac{C_o}{L}}$ ,  $\omega_o = \frac{1}{\sqrt{LC_o}}$

Transfer function  $F_2(S)$  from control to inductor current is given by Equation 18:

$$F_2(S) = \frac{\hat{I}_o}{\hat{d}} = \frac{V_{in}}{R_o + R_L} \frac{1 + \frac{S}{\omega_z}}{\frac{S^2}{\omega_o^2} + \frac{S}{\omega_o Q_p} + 1} \quad (\text{EQ. 18})$$

Where  $\omega_z = \frac{1}{R_o C_o}$ .

Current loop gain  $T_i(S)$  is expressed as Equation 19:

$$T_i(S) = R_T F_m F_2(S) H_e(S) \quad (\text{EQ. 19})$$

The voltage loop gain with open current loop is calculated in Equation 20:

$$T_v(S) = K F_m F_1(S) A_v(S) \quad (\text{EQ. 20})$$

The voltage loop gain with current loop closed is given by Equation 21:

$$L_v(S) = \frac{T_v(S)}{1 + T_i(S)} \quad (\text{EQ. 21})$$

Where  $K = \frac{V_{FB}}{V_o}$ ,  $V_{FB}$  is the feedback voltage of the voltage error amplifier. If  $T_i(S) \gg 1$ , then Equation 21 can be simplified as shown in Equation 22:

$$L_v(S) = \frac{V_{FB} R_o + R_L}{V_o R_T} \frac{1 + \frac{S}{\omega_{esr}} A_v(S)}{1 + \frac{S}{\omega_p} H_e(S)}, \quad \omega_p \approx \frac{1}{R_o C_o} \quad (\text{EQ. 22})$$

From Equation 22, it is shown that the system is a single order system, which has a single pole located at  $\omega_p$  before the half switching frequency. Therefore, a simple type II compensator can be easily used to stabilize the system.

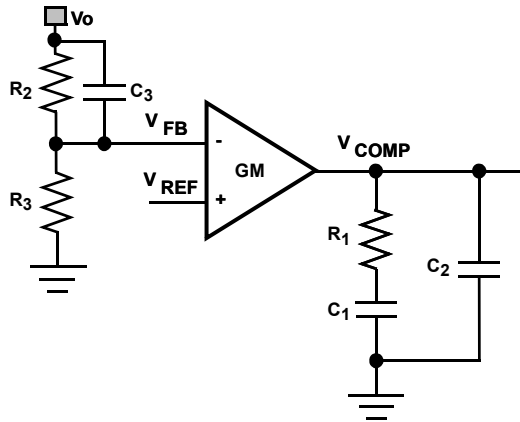


FIGURE 47. TYPE II COMPENSATOR

Figure 47 shows the type II compensator and its transfer function is expressed as Equation 23:

$$A_V(S) = \frac{\hat{v}_{comp}}{v_{FB}} = \frac{g_m}{C_1 + C_2} \frac{\left(1 + \frac{S}{\omega_{cz1}}\right)\left(1 + \frac{S}{\omega_{cz2}}\right)}{S\left(1 + \frac{S}{\omega_{cp}}\right)} \quad (\text{EQ. 23})$$

Where:

$$\omega_{cz1} = \frac{1}{R_1 C_1}, \quad \omega_{cz2} = \frac{1}{R_2 C_3}, \quad \omega_{cp} = \frac{C_1 + C_2}{R_1 C_1 C_2} \quad (\text{EQ. 24})$$

the compensator design goal is:

High DC gain

Loop bandwidth  $f_c$ :  $\left(\frac{1}{4} \text{ to } \frac{1}{10}\right) f_s$

Gain margin: >10dB

Phase margin: 40°

The compensator design procedure is shown in Equation 25:

$$\text{Put compensator zero } \omega_{cz1} = (1 \text{ to } 3) \frac{1}{R_O C_O} \quad (\text{EQ. 25})$$

Put one compensator pole at zero frequency to achieve high DC gain, and put another compensator pole at either ESR zero frequency or half switching frequency, whichever is lower.

The loop gain  $T_V(S)$  at crossover frequency of  $f_c$  has unity gain. Therefore, the compensator resistance  $R_1$  is determined by Equation 26:

$$R_1 = \frac{2\pi f_c V_O C_O R_T}{g_m V_{FB}} \quad (\text{EQ. 26})$$

where  $g_m$  is the trans-conductance of the voltage error amplifier, typically 200 $\mu$ A/V. Compensator capacitor  $C_1$  is then given by Equation 27:

$$C_1 = \frac{1}{R_1 \omega_{cz}}, \quad C_2 = \frac{1}{2\pi R_1 f_{esr}} \quad (\text{EQ. 27})$$

Example:  $V_{IN} = 12V$ ,  $V_O = 5V$ ,  $I_O = 3A$ ,  $f_s = 500kHz$ ,  $C_O = 220\mu F/5m\Omega$ ,  $L = 5.6\mu H$ ,  $g_m = 200\mu s$ ,  $R_T = 0.21$ ,  $V_{FB} = 0.8V$ ,  $S_e = 1.1 \times 10^5 V/s$ ,  $S_n = 3.4 \times 10^5 V/s$ ,  $f_c = 80kHz$ , then compensator resistance  $R_1 = 72k\Omega$ .

Put the compensator zero at 6.6kHz ( $\sim 1.5 \times C_O R_O$ ), and put the compensator pole at ESR zero, which is 1.45MHz. The compensator capacitors are:

$C_1 = 470pF$ ,  $C_2 = 3pF$  (There is approximately 3pF parasitic capacitance from  $V_{COMP}$  to GND; therefore,  $C_2$  is optional).

Figure 48A shows the simulated voltage loop gain. It is shown that it has 80kHz loop bandwidth with 69° phase margin and 15dB gain margin. Optional addition phase boost can be added to the overall loop response by using  $C_3$ .

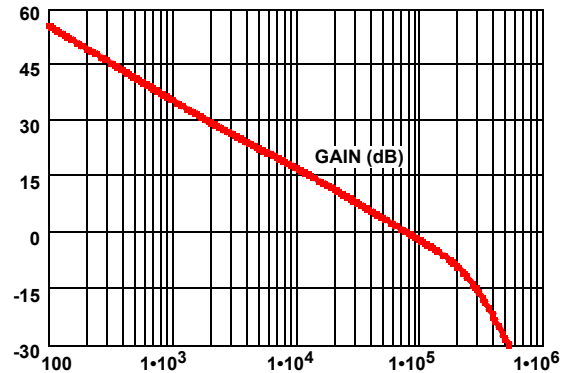


FIGURE 48A.

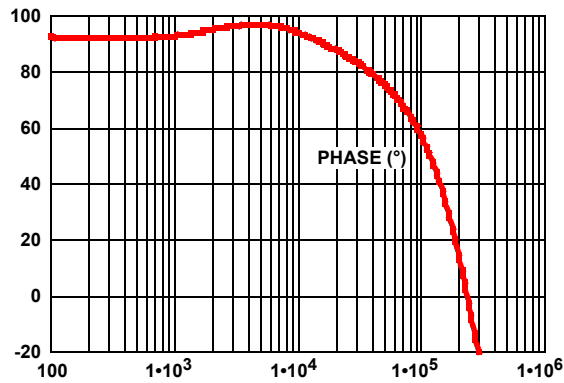


FIGURE 48B.

## Rectifier Selection

Current circulates from ground to the junction of the external Schottky diode and the inductor when the high-side switch is off. As a consequence, the polarity of the switching node is negative with respect to ground. This voltage is approximately -0.5V (a Schottky diode drop) during the off-time. The rectifier's rated reverse breakdown voltage must be at least equal to the maximum input voltage, preferably with a 20% derating factor. The power dissipation when the Schottky diode conducts is expressed in Equation 28:

$$P_D [W] = I_{OUT} \cdot V_D \cdot \left(1 - \frac{V_{OUT}}{V_{IN}}\right) \quad (\text{EQ. 28})$$

Where:

$V_D$  is the voltage drop of the Schottky diode. Selection of the Schottky diode is critical in terms of the high temperature reverse bias leakage current which is very dependent on  $V_{IN}$  and

exponentially increasing with temperature. Due to the nature of reverse bias leakage vs temperature, the diode should be carefully selected to operate in the worst case circuit conditions. Catastrophic failure is possible if the diode chosen experiences thermal runaway at elevated temperatures. Please refer to Application Note for diode selection.

### Power Derating Characteristics

To prevent the ISL78208 from exceeding the maximum junction temperature, some thermal analysis is required. The temperature rise is given by Equation 29:

$$T_{RISE} = (PD)(\theta_{JA}) \quad (\text{EQ. 29})$$

where PD is the power dissipated by the regulator and  $\theta_{JA}$  is the thermal resistance from the junction of the die to the ambient temperature. The junction temperature,  $T_J$ , is given by Equation 30:

$$T_J = (T_A + T_{RISE}) \quad (\text{EQ. 30})$$

where  $T_A$  is the ambient temperature. For the WFQFN package, the  $\theta_{JA}$  is +30°C/W.

The actual junction temperature should not exceed the absolute maximum junction temperature of +125°C. When considering the thermal design, remember to consider the thermal needs of the rectifier diode.

The ISL78208 delivers full current at ambient temperatures up to +105°C if the thermal impedance from the thermal pad maintains the junction temperature below the thermal shutdown level, depending on the Input Voltage/Output Voltage combination and the switching frequency. The device power dissipation must be reduced to maintain the junction temperature at or below the thermal shutdown level.

### Layout Considerations

Layout is very important in high frequency switching converter design. With power devices switching efficiently between 100kHz and 600kHz, the resulting current transitions from one device to another cause voltage spikes across the interconnecting impedances and parasitic circuit elements. These voltage spikes can degrade efficiency, radiate noise into the circuit, and lead to device overvoltage stress. Careful component layout and printed circuit board design minimizes these voltage spikes.

As an example, consider the turn-off transition of the upper MOSFET. Prior to turn-off, the MOSFET is carrying the full load current. During turn-off, current stops flowing in the MOSFET and is picked up by the Schottky diode. Any parasitic inductance in the switched current path generates a large voltage spike during the switching interval. Careful component selection, tight layout of the critical components, and short, wide traces minimizes the magnitude of voltage spikes.

There are two sets of critical components in the ISL78208 switching converter. The switching components are the most critical because they switch large amounts of energy, and therefore tend to generate large amounts of noise. Next, are the small signal components, which connect to sensitive nodes or supply critical bypass current and signal coupling.

A multi-layer printed circuit board is recommended. Figure 49 shows the connections of the critical components in the converter. Note that capacitors  $C_{IN}$  and  $C_{OUT}$  could each represent numerous physical capacitors. Dedicate one solid layer, usually a middle layer of the PC board, for a ground plane and make all critical component ground connections with vias to this layer. Dedicate another solid layer as a power plane and break this plane into smaller islands of common voltage levels. Keep the metal runs from the PHASE terminals to the output inductor short. The power plane should support the input power and output power nodes. Use copper filled polygons on the top and bottom circuit layers for the phase nodes. Use the remaining printed circuit layers for small signal wiring.

In order to dissipate heat generated by the internal LDO and MOSFET, the ground pad should be connected to the internal ground plane through at least four vias. This allows the heat to move away from the IC and also ties the pad to the ground plane through a low impedance path.

The switching components should be placed close to the ISL78208 first. Minimize the length of the connections between the input capacitors,  $C_{IN}$ , and the power switches by placing them nearby. Position both the ceramic and bulk input capacitors as close to the upper MOSFET drain as possible. Position the output inductor and output capacitors between the upper and Schottky diode and the load.

The critical small signal components include any bypass capacitors, feedback components, and compensation components. Place the PWM converter compensation components close to the FB and COMP pins. The feedback resistors should be located as close as possible to the FB pin with vias tied straight to the ground plane as required.

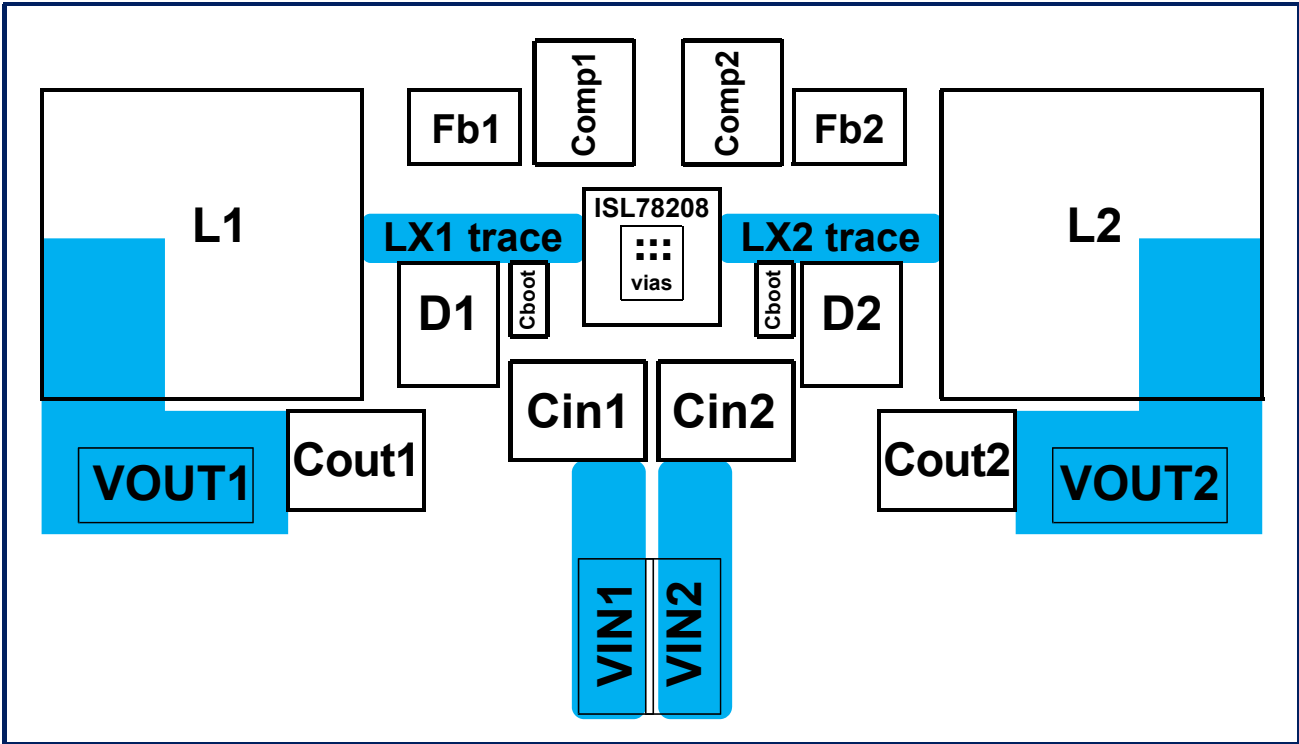


FIGURE 49. PRINTED CIRCUIT BOARD POWER PLANES AND ISLANDS

## Revision History

The revision history provided is for informational purposes only and is believed to be accurate, but not warranted. Please go to web to make sure you have the latest revision.

DATE	REVISION	CHANGE
Oct 22, 2021	2.00	<p>Removed About Intersil section.  Updated Ordering Information table.  Updated POD L32.5x5H to the latest revision, changes are as follows:</p> <ul style="list-style-type: none"> <li>-Bottom View - changed left side dimension (0.50) to (0.45).</li> <li>-Detail "X" - removed measurement left side.</li> <li>-Changed Seating plane dimension from 0.08 to 0.05</li> <li>-Detail "X" - Added dimple dimension 0.10 ±0.05 back on (left side).</li> <li>-Detail "X" - Changed the tolerance back (in the seating plane box) to 0.08.</li> <li>-Bottom View - Removed 0.15 ±0.10 this is a duplicate dim with detail A.</li> <li>-Bottom View - Extended the dimension line to the bottom of the exposed pad.</li> <li>-Added Note 7 for Edge Protection Technology</li> <li>-Updated D1 and E1 dimensions in Top View changing them from 4.75 to 4.71.</li> <li>-Updated side view by adding Edge protection information.</li> </ul>
Jul 29, 2014	1.00	Electrical Spec table on page 8 under "SYNCIN Input Threshold"; changed Rising Edge Max value from 1.9V to 2.1V.
Jul 12, 2013	0.00	Initial Release

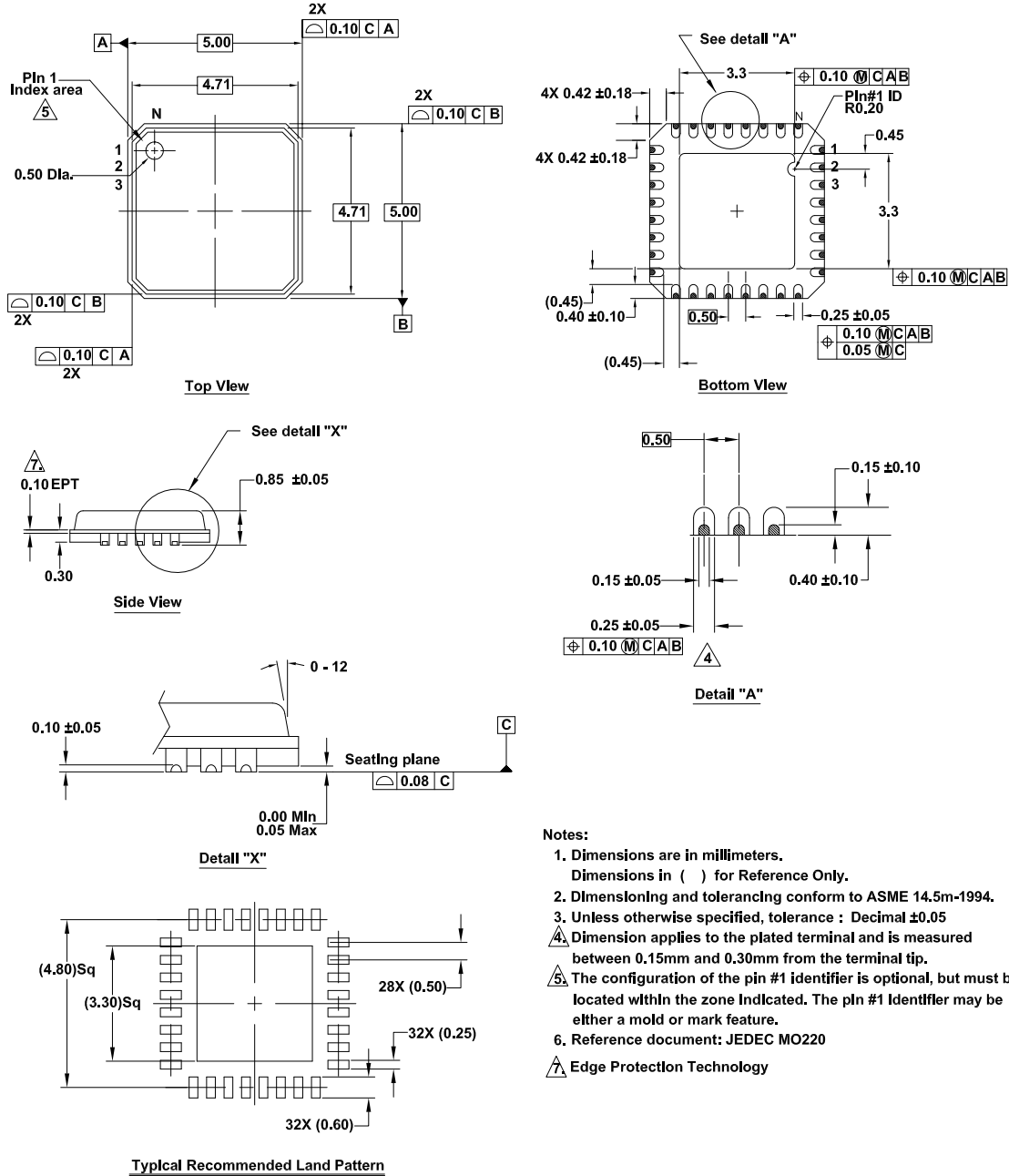
# Package Outline Drawing

For the most recent package outline drawing, see [L32.5x5H](#).

L32.5x5H

32 Lead Quad Flat No-Lead Plastic Package (Punch QFN with Wettable Flank)

Rev 3, 8/2021



- Notes:**
- Dimensions are in millimeters.  
Dimensions in ( ) for Reference Only.
  - Dimensioning and tolerancing conform to ASME 14.5m-1994.
  - Unless otherwise specified, tolerance : Decimal ±0.05
  - Dimension applies to the plated terminal and is measured between 0.15mm and 0.30mm from the terminal tip.
  - The configuration of the pin #1 identifier is optional, but must be located within the zone indicated. The pin #1 Identifier may be either a mold or mark feature.
  - Reference document: JEDEC MO220
  - Edge Protection Technology



## Notice

1. Descriptions of circuits, software and other related information in this document are provided only to illustrate the operation of semiconductor products and application examples. You are fully responsible for the incorporation or any other use of the circuits, software, and information in the design of your product or system. Renesas Electronics disclaims any and all liability for any losses and damages incurred by you or third parties arising from the use of these circuits, software, or information.
2. Renesas Electronics hereby expressly disclaims any warranties against and liability for infringement or any other claims involving patents, copyrights, or other intellectual property rights of third parties, by or arising from the use of Renesas Electronics products or technical information described in this document, including but not limited to, the product data, drawings, charts, programs, algorithms, and application examples.
3. No license, express, implied or otherwise, is granted hereby under any patents, copyrights or other intellectual property rights of Renesas Electronics or others.
4. You shall be responsible for determining what licenses are required from any third parties, and obtaining such licenses for the lawful import, export, manufacture, sales, utilization, distribution or other disposal of any products incorporating Renesas Electronics products, if required.
5. You shall not alter, modify, copy, or reverse engineer any Renesas Electronics product, whether in whole or in part. Renesas Electronics disclaims any and all liability for any losses or damages incurred by you or third parties arising from such alteration, modification, copying or reverse engineering.
6. Renesas Electronics products are classified according to the following two quality grades: "Standard" and "High Quality". The intended applications for each Renesas Electronics product depends on the product's quality grade, as indicated below.

"Standard": Computers; office equipment; communications equipment; test and measurement equipment; audio and visual equipment; home electronic appliances; machine tools; personal electronic equipment; industrial robots; etc.

"High Quality": Transportation equipment (automobiles, trains, ships, etc.); traffic control (traffic lights); large-scale communication equipment; key financial terminal systems; safety control equipment; etc.

Unless expressly designated as a high reliability product or a product for harsh environments in a Renesas Electronics data sheet or other Renesas Electronics document, Renesas Electronics products are not intended or authorized for use in products or systems that may pose a direct threat to human life or bodily injury (artificial life support devices or systems; surgical implantations; etc.), or may cause serious property damage (space system; undersea repeaters; nuclear power control systems; aircraft control systems; key plant systems; military equipment; etc.). Renesas Electronics disclaims any and all liability for any damages or losses incurred by you or any third parties arising from the use of any Renesas Electronics product that is inconsistent with any Renesas Electronics data sheet, user's manual or other Renesas Electronics document.
7. No semiconductor product is absolutely secure. Notwithstanding any security measures or features that may be implemented in Renesas Electronics hardware or software products, Renesas Electronics shall have absolutely no liability arising out of any vulnerability or security breach, including but not limited to any unauthorized access to or use of a Renesas Electronics product or a system that uses a Renesas Electronics product. RENESAS ELECTRONICS DOES NOT WARRANT OR GUARANTEE THAT RENESAS ELECTRONICS PRODUCTS, OR ANY SYSTEMS CREATED USING RENESAS ELECTRONICS PRODUCTS WILL BE INVULNERABLE OR FREE FROM CORRUPTION, ATTACK, VIRUSES, INTERFERENCE, HACKING, DATA LOSS OR THEFT, OR OTHER SECURITY INTRUSION ("Vulnerability Issues"). RENESAS ELECTRONICS DISCLAIMS ANY AND ALL RESPONSIBILITY OR LIABILITY ARISING FROM OR RELATED TO ANY VULNERABILITY ISSUES. FURTHERMORE, TO THE EXTENT PERMITTED BY APPLICABLE LAW, RENESAS ELECTRONICS DISCLAIMS ANY AND ALL WARRANTIES, EXPRESS OR IMPLIED, WITH RESPECT TO THIS DOCUMENT AND ANY RELATED OR ACCOMPANYING SOFTWARE OR HARDWARE, INCLUDING BUT NOT LIMITED TO THE IMPLIED WARRANTIES OF MERCHANTABILITY, OR FITNESS FOR A PARTICULAR PURPOSE.
8. When using Renesas Electronics products, refer to the latest product information (data sheets, user's manuals, application notes, "General Notes for Handling and Using Semiconductor Devices" in the reliability handbook, etc.), and ensure that usage conditions are within the ranges specified by Renesas Electronics with respect to maximum ratings, operating power supply voltage range, heat dissipation characteristics, installation, etc. Renesas Electronics disclaims any and all liability for any malfunctions, failure or accident arising out of the use of Renesas Electronics products outside of such specified ranges.

9. Although Renesas Electronics endeavors to improve the quality and reliability of Renesas Electronics products, semiconductor products have specific characteristics, such as the occurrence of failure at a certain rate and malfunctions under certain use conditions. Unless designated as a high reliability product or a product for harsh environments in a Renesas Electronics data sheet or other Renesas Electronics document, Renesas Electronics products are not subject to radiation resistance design. You are responsible for implementing safety measures to guard against the possibility of bodily injury, injury or damage caused by fire, and/or danger to the public in the event of a failure or malfunction of Renesas Electronics products, such as safety design for hardware and software, including but not limited to redundancy, fire control and malfunction prevention, appropriate treatment for aging degradation or any other appropriate measures. Because the evaluation of microcomputer software alone is very difficult and impractical, you are responsible for evaluating the safety of the final products or systems manufactured by you.
10. Please contact a Renesas Electronics sales office for details as to environmental matters such as the environmental compatibility of each Renesas Electronics product. You are responsible for carefully and sufficiently investigating applicable laws and regulations that regulate the inclusion or use of controlled substances, including without limitation, the EU RoHS Directive, and using Renesas Electronics products in compliance with all these applicable laws and regulations. Renesas Electronics disclaims any and all liability for damages or losses occurring as a result of your noncompliance with applicable laws and regulations.
11. Renesas Electronics products and technologies shall not be used for or incorporated into any products or systems whose manufacture, use, or sale is prohibited under any applicable domestic or foreign laws or regulations. You shall comply with any applicable export control laws and regulations promulgated and administered by the governments of any countries asserting jurisdiction over the parties or transactions.
12. It is the responsibility of the buyer or distributor of Renesas Electronics products, or any other party who distributes, disposes of, or otherwise sells or transfers the product to a third party, to notify such third party in advance of the contents and conditions set forth in this document.
13. This document shall not be reprinted, reproduced or duplicated in any form, in whole or in part, without prior written consent of Renesas Electronics.
14. Please contact a Renesas Electronics sales office if you have any questions regarding the information contained in this document or Renesas Electronics products.  
(Note 1) "Renesas Electronics" as used in this document means Renesas Electronics Corporation and also includes its directly or indirectly controlled subsidiaries.  
(Note 2) "Renesas Electronics product(s)" means any product developed or manufactured by or for Renesas Electronics.

(Rev. 4.0-2 April 2020)

## Corporate Headquarters

TOYOSU FORESIA, 3-2-24 Toyosu,  
Koto-ku, Tokyo 135-0061, Japan  
[www.renesas.com](http://www.renesas.com)

## Contact Information

For further information on a product, technology, the most up-to-date version of a document, or your nearest sales office, please visit:  
[www.renesas.com/contact/](http://www.renesas.com/contact/)

## Trademarks

Renesas and the Renesas logo are trademarks of Renesas Electronics Corporation. All trademarks and registered trademarks are the property of their respective owners.

## X-ON Electronics

Largest Supplier of Electrical and Electronic Components

*Click to view similar products for [Switching Voltage Regulators](#) category:*

*Click to view products by [Renesas](#) manufacturer:*

Other Similar products are found below :

[FAN53610AUC33X](#) [FAN53611AUC123X](#) [FAN48610BUC33X](#) [FAN48610BUC45X](#) [FAN48617UC50X](#) [R3](#) [430464BB](#) [KE177614](#)  
[FAN53611AUC12X](#) [MAX809TTR](#) [NCV891234MW50R2G](#) [NCP81103MNTXG](#) [NCP81203PMNTXG](#) [NCP81208MNTXG](#)  
[NCP81109GMNTXG](#) [SCY1751FCCT1G](#) [NCP81109JMNTXG](#) [AP3409ADNTR-G1](#) [NCP81241MNTXG](#) [LTM8064IY](#) [LT8315EFE#TRPBF](#)  
[LTM4664EY#PBF](#) [LTM4668AIY#PBF](#) [NCV1077CSTBT3G](#) [XCL207A123CR-G](#) [MPM54304GMN-0002](#) [MPM54304GMN-0004](#)  
[MPM54304GMN-0003](#) [AP62300Z6-7](#) [MP8757GL-P](#) [MIC23356YFT-TR](#) [LD8116CGL](#) [HG2269M/TR](#) [OB2269](#) [XD3526](#) [U6215A](#) [U6215B](#)  
[U6620S](#) [LTC3412IFE](#) [LT1425IS](#) [MAX25203BATJA/VY+](#) [MAX77874CEWM+](#) [XC9236D08CER-G](#) [MP3416GJ-P](#) [MP5461GC-Z](#)  
[MPQ4415AGQB-Z](#) [MPQ4590GS-Z](#) [MAX38640BENT18+T](#) [MAX77511AEWB+](#) [MAX20406AFOD/VY+](#)