

1. OUTLINE

1.1 Features

Ultra-low power consumption technology

- V_{DD} = single power supply voltage of 2.0 to 5.5 V
(Use this product within the voltage range from 2.25 to 5.5 V because the detection voltage (V_{SPOR}) of the selectable power-on-reset (SPOR) circuit should also be considered.)
- HALT mode
- STOP mode

RL78 CPU core

- CISC architecture with 3-stage pipeline
- Minimum instruction execution time: Can be changed from high speed (0.05 μ s: @ 20 MHz operation with high-speed on-chip oscillator) to low speed (1.0 μ s: @ 1 MHz operation)
- Address space: 1 MB
- General-purpose registers: 8-bit register \times 8
- On-chip RAM: 512 B to 1 KB

Code flash memory

- Code flash memory: 4 KB to 8 KB
- On-chip debug function

High-speed on-chip oscillator

- Select from 20 MHz, 10 MHz, 5 MHz, 2.5 MHz, and 1.25 MHz
- High accuracy: $\pm 2.0\%$ (V_{DD} = 2.0 to 5.5 V, T_A = -20 to $+85^\circ\text{C}$)

Operating ambient temperature

- T_A = -40 to $+85^\circ\text{C}$

Power management and reset function

- On-chip selectable power-on-reset (SPOR) circuit

Serial interface

- CSI: 1 channel
- UART: 1 channel

Timer

- 8-/16-bit timer: 4 channels
- 12-bit interval timer: 1 channel
- Watchdog timer: 1 channel (operable with the dedicated low-speed on-chip oscillator)
- Real-time output function: 8 channels (RL78/G1M only)

A/D converter

- 8/10-bit resolution A/D converter (V_{DD} = 2.4 to 5.5 V)
- Analog input: 8 channels

I/O port

- I/O port: 18 (N-ch open drain output [V_{DD} withstand voltage]: 14)
(P-ch open drain output [V_{DD} withstand voltage]: 6)
- High current pin (RL78/G1N only)
- Can be set to N-ch open drain and on-chip pull-up resistor
- On-chip key interrupt function
- On-chip clock output/buzzer output controller

Others

- On-chip BCD (binary-coded decimal) correction circuit

○ ROM, RAM capacities

Flash ROM	RAM	20 Pins	
		RL78/G1M	RL78/G1N
8 KB	1 KB	R5F11W68ASM R5F11W68DSM	R5F11Y68ASM R5F11Y68DSM
4 KB	512 B	R5F11W67ASM R5F11W67DSM	R5F11Y67ASM R5F11Y67DSM

Remark The functions mounted depend on the product. See **1.6 Outline of Functions**.

1.2 List of Part Numbers

Figure 1-1. Part Number, Memory Size, and Package of RL78/G1M, G1N

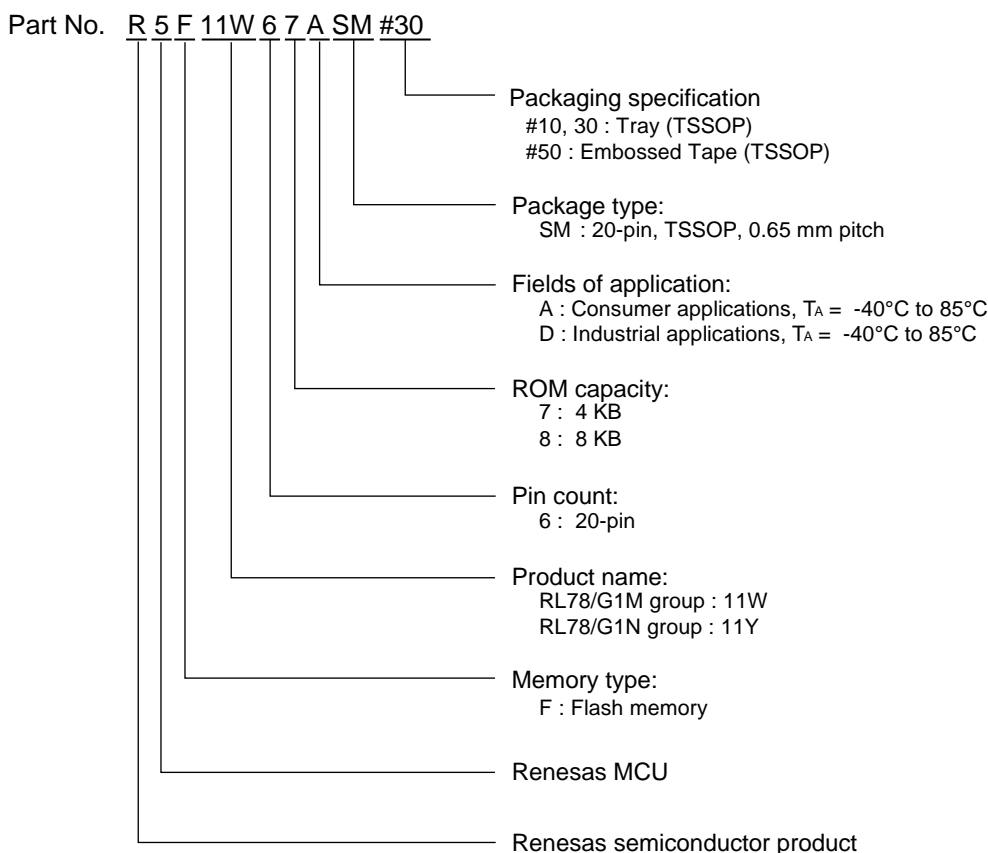


Table 1-1. List of Ordering Part Numbers

Pin Count	Package	Fields of Application ^{Note}	Part Number	RENESAS Code
20 pins	20-pin plastic TSSOP (4.4 × 6.5 mm, 0.65 mm pitch)	A	R5F11W67ASM#10, R5F11W68ASM#10 R5F11W67ASM#30, R5F11W68ASM#30 R5F11W67ASM#50, R5F11W68ASM#50 R5F11Y67ASM#10, R5F11Y68ASM#10 R5F11Y67ASM#30, R5F11Y68ASM#30 R5F11Y67ASM#50, R5F11Y68ASM#50	PTSP0020JI-A
		D	R5F11W67DSM#10, R5F11W68DSM#10 R5F11W67DSM#30, R5F11W68DSM#30 R5F11W67DSM#50, R5F11W68DSM#50 R5F11Y67DSM#10, R5F11Y68DSM#10 R5F11Y67DSM#30, R5F11Y68DSM#30 R5F11Y67DSM#50, R5F11Y68DSM#50	

Note For the fields of application, see **Figure 1-1 Part Number, Memory Size, and Package of RL78/G1M, G1N**.

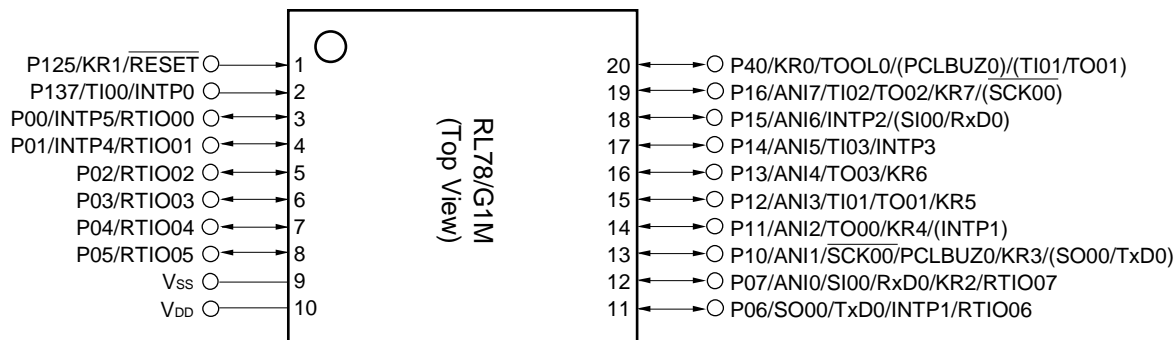
Caution The part number represents the number at the time of publication.

Be sure to review the latest part number through the target product page in the Renesas Electronics Corp. website.

1.3 Pin Configuration (Top View)

1.3.1 RL78/G1M products

- 20-pin plastic TSSOP (4.4 × 6.5 mm, 0.65 mm pitch)

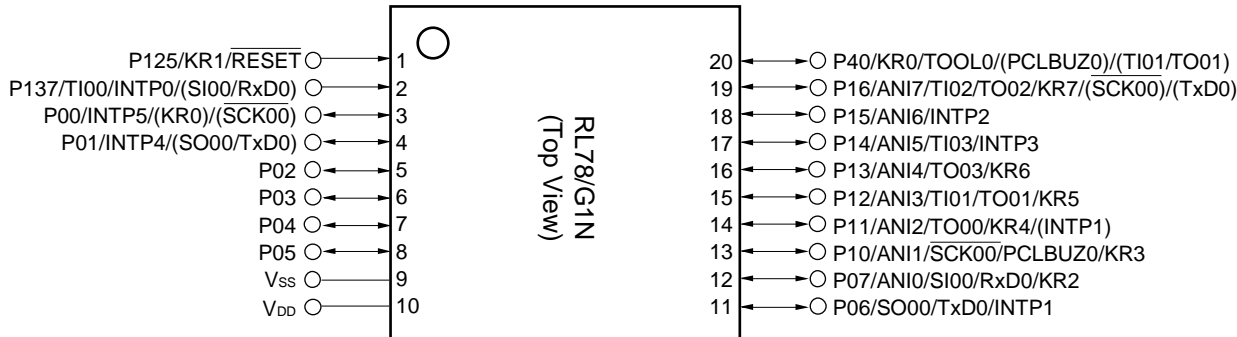


Remarks 1. For pin identification, see 1.4 Pin Identification.

2. Functions in parentheses in the above figure can be assigned via settings in the peripheral I/O redirection register (PIOR). Refer to **Figure 4-7 Format of Peripheral I/O Redirection Register (PIOR)** in the **RL78/G1M, G1N User's Manual**.

1.3.2 RL78/G1N products

- 20-pin plastic TSSOP (4.4 × 6.5 mm, 0.65 mm pitch)



Remarks 1. For pin identification, see 1.4 Pin Identification.

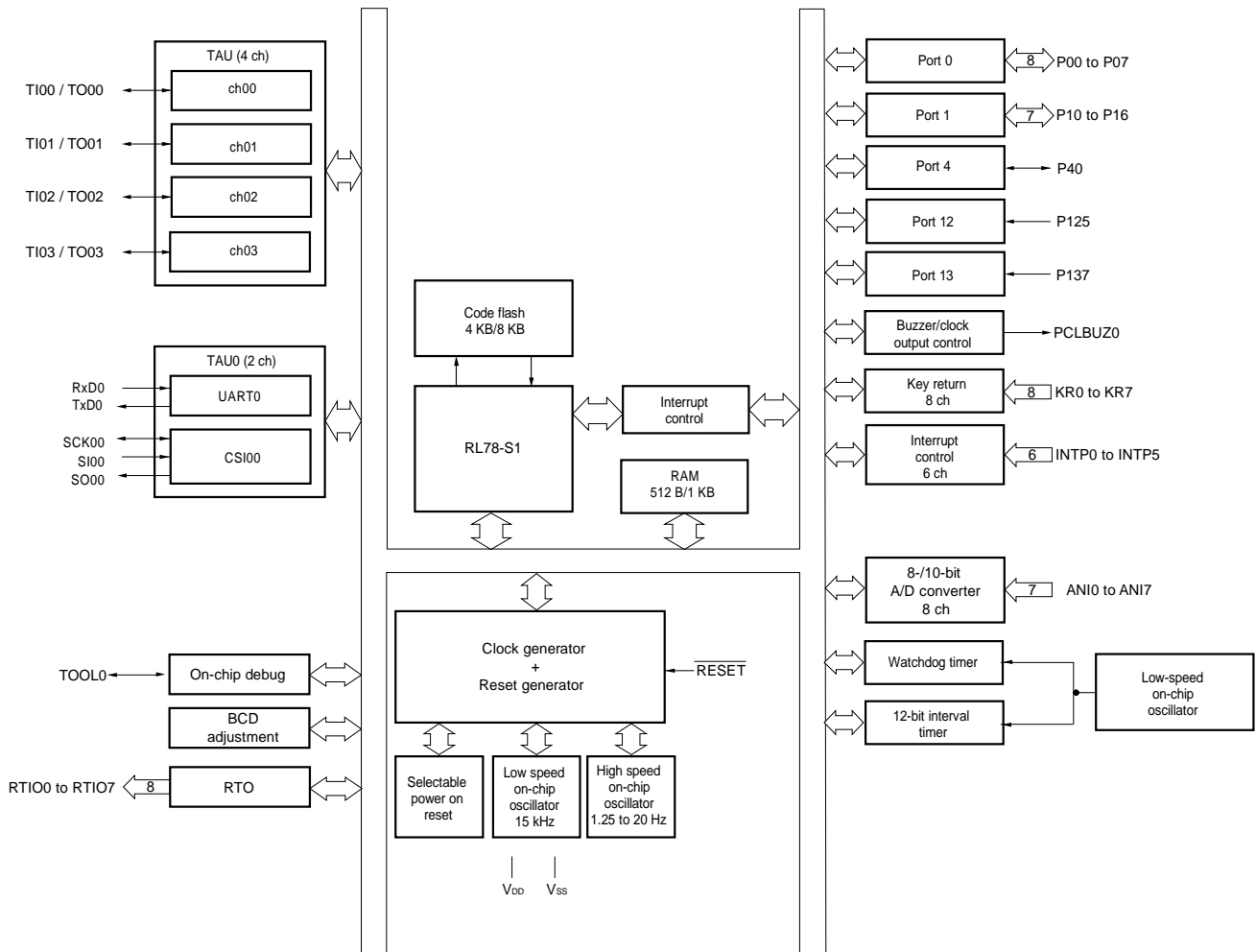
2. Functions in parentheses in the above figure can be assigned via settings in the peripheral I/O redirection register (PIOR). Refer to **Figure 4-7 Format of Peripheral I/O Redirection Register (PIOR)** in the **RL78/G1M, G1N User's Manual**.

1.4 Pin Identification

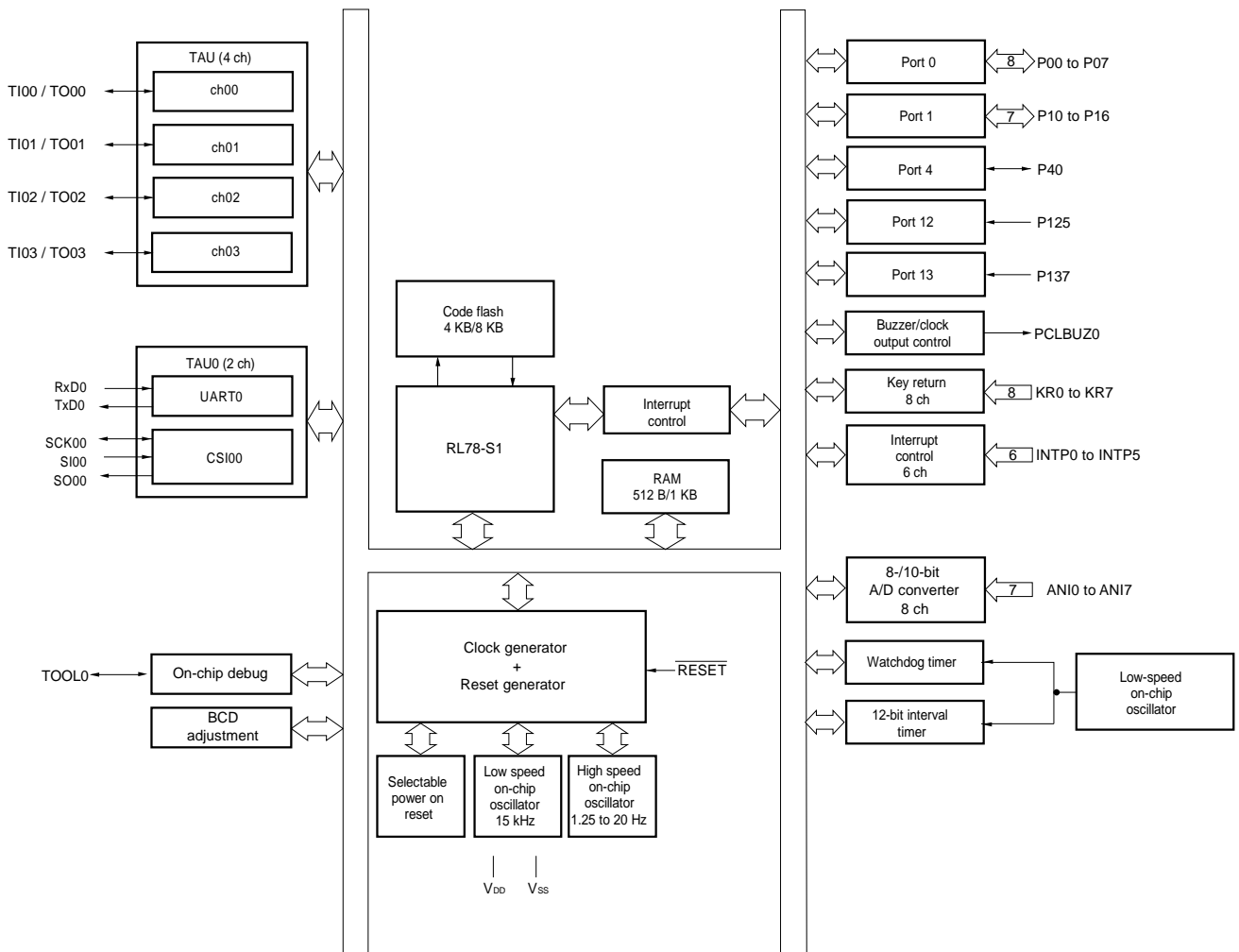
ANI0 to ANI7	: Analog input
INTP0 to INTP5	: External interrupt input
KR0 to KR7	: Key return
P00 to P07	: Port 0
P10 to P16	: Port 1
P40	: Port 4
P125	: Port 12
P137	: Port 13
PCLBUZ0	: Programmable clock output/buzzer output
RESET	: Reset
RTIO00 to RTIO07	: Real-time output
RxD0	: Receive data
SCK00	: Serial clock input/output
SI00	: Serial data input
SO00	: Serial data output
TI00 to TI03	: Timer input
TO00 to TO03	: Timer output
TOOL0	: Data input/output for tool
TxD0	: Transmit data
ANI0 to ANI7	: Analog input
V _{DD}	: Power supply
V _{SS}	: Ground

1.5 Block Diagram

1.5.1 RL78/G1M products



1.5.2 RL78/G1N products



1.6 Outline of Functions

This outline describes the function at the time when Peripheral I/O redirection register (PIOR) is set to 00H.

(1/2)

Item		20-pin			
		RL78/G1M Products		RL78/G1N Products	
		R5F11W67ASM R5F11W67DSM	R5F11W68ASM R5F11W68DSM	R5F11Y67ASM R5F11Y67DSM	R5F11Y68ASM R5F11Y68DSM
Code flash memory		4 KB	8 KB	4 KB	8 KB
RAM		512 B	1 KB	512 B	1 KB
Main system clock	High-speed on-chip oscillator clock	<ul style="list-style-type: none"> 1.25 to 20 MHz ($V_{DD} = 2.7$ to 5.5 V) 1.25 to 5 MHz ($V_{DD} = 2.0$ to 5.5 V^{Note 1}) 			
Low-speed on-chip oscillator clock		15 kHz \pm 15%			
General-purpose register		8-bit register \times 8			
Minimum instruction execution time		0.05 μ s (20 MHz operation)			
Instruction set		<ul style="list-style-type: none"> Data transfer (8 bits) Adder and subtractor/logical operation (8 bits) Multiplication (8 bits \times 8 bits) Rotate, barrel shift, and bit manipulation (set, reset, test, and Boolean operation), etc. 			
I/O port	Total	18			
	CMOS I/O	16 (N-ch open-drain output (V_{DD} tolerance): 14) P-ch open-drain output (high current pin): 6			
	CMOS input	2			
Timer	16-bit timer	4 channels			
	Watchdog timer	1 channel			
	12-bit interval timer	1 channel			
	Timer output	4 channels (PWM outputs: 3 ^{Note 2})			
Real-time output		8 channels		-	
Clock output/buzzer output		1			
		2.44 kHz to 10 MHz: (Peripheral hardware clock: $f_{MAIN} = 20$ MHz operation)			
8-/10-bit resolution A/D converter		8 channels			
Serial interface		CSI: 1 channel, UART: 1 channel			
Vectored interrupt sources	Internal	12			
	External	7			
Key interrupt		8			

Notes 1. Use this product within the voltage range from 2.25 to 5.5 V because the detection voltage (V_{SPOR}) of the selectable power-on-reset (SPOR) circuit should also be considered.

2. The number of outputs varies, depending on the setting of channels in use and the number of the master (refer to **6.9.4 Operation as multiple PWM output function** in the **RL78/G1M, G1N User's Manual**).

(2/2)

Item	20-pin			
	RL78/G1M Products		RL78/G1N Products	
	R5F11W67ASM R5F11W67DSM	R5F11W68ASM R5F11W68DSM	R5F11Y67ASM R5F11Y67DSM	R5F11Y68ASM R5F11Y68DSM
Reset	<ul style="list-style-type: none"> Reset by RESET pin Internal reset by watchdog timer Internal reset by selectable power-on-reset Internal reset by illegal instruction execution^{Note 1} Internal reset by data retention lower limit voltage 			
Selectable power-on-reset circuit	<ul style="list-style-type: none"> Detection voltage <ul style="list-style-type: none"> Rising edge (V_{SPOR}): 2.25 V/2.68 V/3.02 V/4.45 V (max.) Falling edge (V_{SPDR}): 2.20 V/2.62 V/2.96 V/4.37 V (max.) 			
On-chip debug function	Provided			
Power supply voltage	$V_{DD} = 2.0$ to 5.5 V ^{Note 2}			
Operating ambient temperature	$T_A = -40$ to $+85^\circ\text{C}$			

- Notes**
- The illegal instruction is generated when instruction code FFH is executed.
Reset by the illegal instruction execution not issued by emulation with the on-chip debug emulator.
 - Use this product within the voltage range from 2.25 to 5.5 V because the detection voltage (V_{SPOR}) of the selectable power-on-reset (SPOR) circuit should also be considered.

2. ELECTRICAL SPECIFICATIONS

- Cautions**
- 1. The RL78 microcontrollers have an on-chip debug function, which is provided for development and evaluation. Do not use the on-chip debug function in products designated for mass production, because the guaranteed number of rewritable times of the flash memory may be exceeded when this function is used, and product reliability therefore cannot be guaranteed. Renesas Electronics is not liable for problems occurring when the on-chip debug function is used.**
 - 2. The pins mounted depend on the product. Refer to 2.1 Port Functions and 2.2 Functions Other than Port Pins in the RL78/G1M, G1N User's Manual.**
 - 3. Use this product within the voltage range from 2.25 to 5.5 V because the detection voltage (V_{SPOR}) of the selectable power-on-reset (SPOR) circuit should also be considered.**

2.1 Absolute Maximum Ratings

(T_A = 25°C)

Parameter	Symbols	Conditions		Ratings	Unit	
Supply voltage ^{Note 1}	V _{DD}			-0.5 to +6.5	V	
Input voltage ^{Note 1}	V _{I1}			-0.3 to V _{DD} + 0.3 ^{Note 2}	V	
Output voltage ^{Note 1}	V _{O1}			-0.3 to V _{DD} + 0.3	V	
Output current, high	I _{OH1}	Per pin	P00 to P05	RL78/G1M	-40	mA
				RL78/G1N	-130	mA
			P06, P07, P10 to P16, P40		-40	mA
		Total of all pins	P00 to P05	RL78/G1M	-70	mA
				RL78/G1N	-160	mA
			P06, P07, P10 to P16, P40		RL78/G1M	-100
RL78/G1N		-100	mA			
Output current, low	I _{OL1}	Per pin		40	mA	
		Total of all pins	P00 to P05	RL78/G1M	70	mA
				RL78/G1N	90	mA
			P06, P07, P10 to P16, P40		RL78/G1M	100
		RL78/G1N		170	mA	
Operating ambient temperature	T _A			-40 to +85	°C	
Storage temperature	T _{stg}			-65 to +150	°C	

Notes 1. V_{SS} is used as the reference potential.

2. Must be 6.5 V or lower.

Caution Product quality may suffer if the absolute maximum rating is exceeded even momentarily for any parameter. That is, the absolute maximum ratings are rated values at which the product is on the verge of suffering physical damage, and therefore the product must be used under conditions that ensure that the absolute maximum ratings are not exceeded.

Remarks 1. Unless specified otherwise, the characteristics of alternate-function pins are the same as those of the port pins.

2. The reference voltage is V_{SS}.

2.2 Oscillator Characteristics

2.2.1 On-chip oscillator characteristics

($T_A = -40$ to $+85^\circ\text{C}$, $2.0\text{ V} \leq V_{DD} \leq 5.5\text{ V}$, $V_{SS} = 0\text{ V}$)

Oscillators	Parameters	Conditions	MIN.	TYP.	MAX.	Unit
High-speed on-chip oscillator oscillation frequency ^{Notes 1, 2}	f_{IH}		1.25		20	MHz
High-speed on-chip oscillator oscillation frequency accuracy		$T_A = -40$ to -20°C	-3		+3	%
		$T_A = -20$ to $+85^\circ\text{C}$	-2		+2	%
Low-speed on-chip oscillator oscillation frequency ^{Note 3}	f_{IL}			15		kHz
Low-speed on-chip oscillator clock frequency accuracy			-15		+15	%

- Notes**
1. High-speed on-chip oscillator frequency is selected by bits 0 to 2 of option byte (000C2H).
 2. This only indicates the oscillator characteristics. See **AC Characteristics** for instruction execution time.
 3. This only indicates the oscillator characteristics.

2.3 DC Characteristics

2.3.1 Pin characteristics of RL78/G1M

($T_A = -40$ to $+85^\circ\text{C}$, $2.0\text{ V} \leq V_{DD} \leq 5.5\text{ V}$, $V_{SS} = 0\text{ V}$)

Parameter	Symbol	Conditions	MIN.	TYP.	MAX.	Unit
Output current, high ^{Note 1}	I _{OH1}	Per pin for P00 to P07, P10 to P16, P40			-10 ^{Note 2}	mA
		Total of P00 to P05 (When duty $\leq 70\%$) ^{Note 3}	$4.0\text{ V} \leq V_{DD} \leq 5.5\text{ V}$		-50	mA
			$2.7\text{ V} \leq V_{DD} < 4.0\text{ V}$		-10	mA
			$2.0\text{ V} \leq V_{DD} < 2.7\text{ V}$		-7.5	mA
		Total of P06, P07, P10 to P16, P40 (When duty $\leq 70\%$) ^{Note 3}	$4.0\text{ V} \leq V_{DD} \leq 5.5\text{ V}$		-80	mA
			$2.7\text{ V} \leq V_{DD} < 4.0\text{ V}$		-16	mA
			$2.0\text{ V} \leq V_{DD} < 2.7\text{ V}$		-12	mA
Total of all pins (When duty $\leq 70\%$) ^{Note 3}				-130	mA	
Output current, low	I _{OL1}	Per pin for P00 to P07, P10 to P16, P40			20 ^{Note 2}	mA
		Total of P00 to P05 (When duty $\leq 70\%$) ^{Note 4}	$4.0\text{ V} \leq V_{DD} \leq 5.5\text{ V}$		60	mA
			$2.7\text{ V} \leq V_{DD} < 4.0\text{ V}$		9	mA
			$2.0\text{ V} \leq V_{DD} < 2.7\text{ V}$		1.8	mA
		Total of P06, P07, P10 to P16, P40 (When duty $\leq 70\%$) ^{Note 4}	$4.0\text{ V} \leq V_{DD} \leq 5.5\text{ V}$		100	mA
			$2.7\text{ V} \leq V_{DD} < 4.0\text{ V}$		15	mA
			$2.0\text{ V} \leq V_{DD} < 2.7\text{ V}$		3	mA
Total of all pins (When duty $\leq 70\%$) ^{Note 4}				160	mA	

Notes 1. Value of current at which the device operation is guaranteed even if the current flows from the V_{DD} pin to an output pin.

2. Do not exceed the total current value.

3. Specification under conditions where the duty factor $\leq 70\%$.

The output current value that has changed to the duty factor $> 70\%$ the duty ratio can be calculated with the following expression (when changing the duty factor from 70% to n%).

- Total output current of pins = $(I_{OH} \times 0.7)/(n \times 0.01)$

<Example> Where $n = 80\%$ and $I_{OH} = -10.0\text{ mA}$

$$\text{Total output current of pins} = (-10.0 \times 0.7)/(80 \times 0.01) \approx -8.7\text{ mA}$$

However, the current that is allowed to flow into one pin does not vary depending on the duty factor. A current higher than the absolute maximum rating must not flow into one pin.

4. Specification under conditions where the duty factor $\leq 70\%$.

The output current value that has changed to the duty factor $> 70\%$ the duty ratio can be calculated with the following expression (when changing the duty factor from 70% to n%).

- Total output current of pins = $(I_{OL} \times 0.7)/(n \times 0.01)$

<Example> Where $n = 80\%$ and $I_{OL} = 10.0\text{ mA}$

$$\text{Total output current of pins} = (10.0 \times 0.7)/(80 \times 0.01) \approx 8.7\text{ mA}$$

However, the current that is allowed to flow into one pin does not vary depending on the duty factor. A current higher than the absolute maximum rating must not flow into one pin.

Caution P06 and P10 do not output high level in N-ch open-drain mode.

Remark Unless specified otherwise, the characteristics of alternate-function pins are the same as those of the port.

2.3.2 Pin characteristics of RL78/G1N

(TA = -40 to +85°C, 4.5 V ≤ V_{DD} ≤ 5.5 V, V_{SS} = 0 V)

Parameter	Symbol	Conditions	MIN.	TYP.	MAX.	Unit	
Output current, high ^{Note 1}	I _{OH1}	Total of all pins (When duty ≤ 70%) ^{Note 3}	4.5 V ≤ V _{DD} ≤ 5.5 V			-160	mA
		Total of P00 to P05 (When duty ≤ 70%) ^{Note 3}	4.5 V ≤ V _{DD} ≤ 5.5 V			-140	mA
		Total of P06, P07, P10 to P16, P40 (When duty ≤ 70%) ^{Note 3}	4.5 V ≤ V _{DD} ≤ 5.5 V			-80	mA
		Per pin (COM) for P00 to P05 ^{Note 5}	4.5 V ≤ V _{DD} ≤ 5.5 V			-120 ^{Note 2}	mA
		Per pin (SEG, other) for P06, P07, P10 to P16, P40	4.5 V ≤ V _{DD} ≤ 5.5 V			-10 ^{Note 2}	mA
Output current, low	I _{OL1}	Total of all pins (When duty ≤ 70%) ^{Note 4}	4.5 V ≤ V _{DD} ≤ 5.5 V			160	mA
		Total of P00 to P05 (When duty ≤ 70%) ^{Note 4}	4.5 V ≤ V _{DD} ≤ 5.5 V			80	mA
		Total of P06, P07, P10 to P16, P40 (When duty ≤ 70%) ^{Note 4}	4.5 V ≤ V _{DD} ≤ 5.5 V			150	mA
		Per pin (SEG) for P06, P07, P10 to P15 ^{Note 6}	4.5 V ≤ V _{DD} ≤ 5.5 V			15	mA
		Per pin (COM, other) for P00 to P05, P16, P40	4.5 V ≤ V _{DD} ≤ 5.5 V			20 ^{Note 2}	mA

Notes 1. Value of current at which the device operation is guaranteed even if the current flows from the V_{DD} pin to an output pin.

2. Do not exceed the total current value.

3. Specification under conditions where the duty factor ≤ 70%.

The output current value that has changed to the duty factor > 70% the duty ratio can be calculated with the following expression (when changing the duty factor from 70% to n%).

- Total output current of pins = (I_{OH} × 0.7)/(n × 0.01)

<Example> Where n = 80% and I_{OH} = -10.0 mA

$$\text{Total output current of pins} = (-10.0 \times 0.7)/(80 \times 0.01) \approx -8.7 \text{ mA}$$

However, the current that is allowed to flow into one pin does not vary depending on the duty factor. A current higher than the absolute maximum rating must not flow into one pin.

4. Specification under conditions where the duty factor ≤ 70%.

The output current value that has changed to the duty factor > 70% the duty ratio can be calculated with the following expression (when changing the duty factor from 70% to n%).

- Total output current of pins = (I_{OL} × 0.7)/(n × 0.01)

<Example> Where n = 80% and I_{OL} = 10.0 mA

$$\text{Total output current of pins} = (10.0 \times 0.7)/(80 \times 0.01) \approx 8.7 \text{ mA}$$

However, the current that is allowed to flow into one pin does not vary depending on the duty factor. A current higher than the absolute maximum rating must not flow into one pin.

Notes 5. Specification under conditions where $(t1/t2 \times 100\%) \leq 25\%$.
 The output current when the condition changes to a value in the range of $(t1/t2 \times 100\%) > 25\%$ can be calculated from the following expression (after replacing $(t1/t2 \times 100\%)$ with $n\%$).

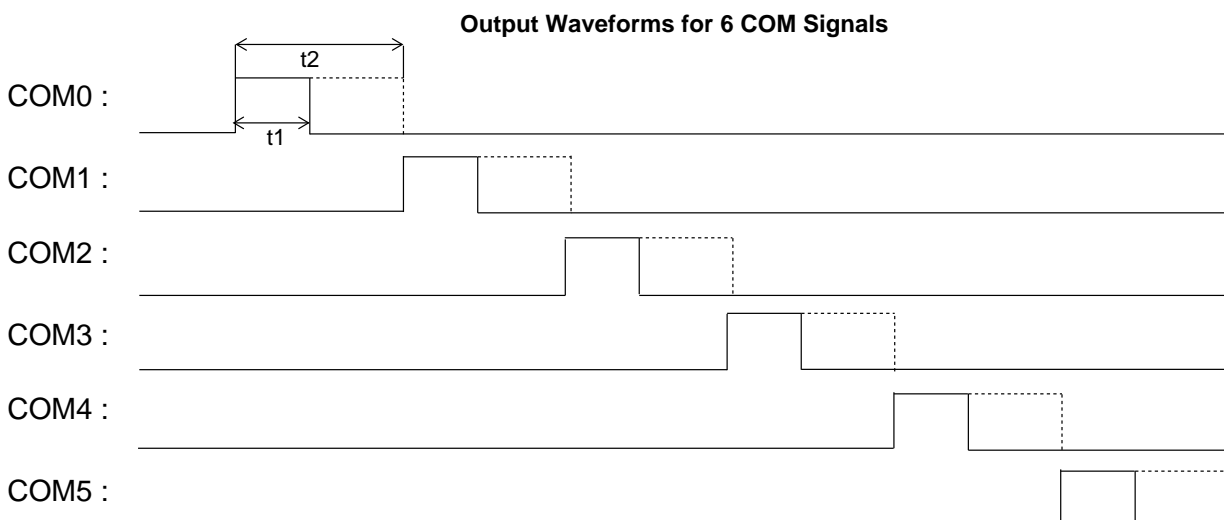
- Total output current of pins = $(I_{OH} \times 0.25)/(n \times 0.01)$

<Example> Where $n = 60\%$ and $I_{OH} = -120.0 \text{ mA}$

$$\text{Total output current of pins} = (-120.0 \times 0.25)/(60 \times 0.01) = -50 \text{ mA}$$

However, the current does not depend on the number of COM signals. A current higher than the absolute maximum rating must not flow into one pin.

The waveforms for 6 COM signals are shown below.



Notes 6. Specification under conditions where $(t1/t2 \times 100\%) \leq 25\%$.
 The output current when the condition changes to a value in the range of $(t1/t2 \times 100\%) > 25\%$ can be calculated from the following expression (after replacing $(t1/t2 \times 100\%)$ with $n\%$).

- Total output current of pins = $(I_{OL} \times 0.25)/(n \times 0.01)$

<Example> Where $n = 60\%$ and $I_{OL} = 15.0 \text{ mA}$

$$\text{Total output current of pins} = (15.0 \times 0.25)/(60 \times 0.01) = 6.25 \text{ mA}$$

However, the current does not depend on the number of COM signals. A current higher than the absolute maximum rating must not flow into one pin.

Caution P06, P07, P10 to P15 do not output high level in N-ch open-drain mode.

Set P-ch open drain of P00 to P05 to off state (high impedance) during A/D conversion (RL78/G1N).

Remark Unless specified otherwise, the characteristics of alternate-function pins are the same as those of the port.

2.3.3 Common items

(T_A = -40 to +85°C, 2.0 V ≤ V_{DD} ≤ 5.5 V, V_{SS} = 0 V)

Parameter	Symbol	Conditions		MIN.	TYP.	MAX.	Unit	
Input voltage, high	V _{IH1}			0.8 V _{DD}		V _{DD}	V	
Input voltage, low	V _{IL1}			0		0.2 V _{DD}	V	
Output voltage, high ^{Note 1}	V _{OH1}	P00 to P05	I _{OH} = -10 mA	4.0 V ≤ V _{DD} ≤ 5.5 V	V _{DD} - 1.5		V _{DD}	V
			I _{OH} = -3 mA	4.0 V ≤ V _{DD} ≤ 5.5 V	V _{DD} - 0.7		V _{DD}	V
			I _{OH} = -2 mA	2.7 V ≤ V _{DD} ≤ 5.5 V	V _{DD} - 0.6		V _{DD}	V
			I _{OH} = -1.5 mA	2.0 V ≤ V _{DD} ≤ 5.5 V	V _{DD} - 0.5		V _{DD}	V
			I _{OH} = -120 mA ^{Note 3}	4.5 V ≤ V _{DD} ≤ 5.5 V	V _{DD} - 1.0		V _{DD}	V
	V _{OH2}	P06, P07, P10 to P16, P40	I _{OH} = -10 mA	4.0 V ≤ V _{DD} ≤ 5.5 V	V _{DD} - 1.5		V _{DD}	V
			I _{OH} = -3 mA	4.0 V ≤ V _{DD} ≤ 5.5 V	V _{DD} - 0.7		V _{DD}	V
			I _{OH} = -2 mA	2.7 V ≤ V _{DD} ≤ 5.5 V	V _{DD} - 0.6		V _{DD}	V
			I _{OH} = -1.5 mA	2.0 V ≤ V _{DD} ≤ 5.5 V	V _{DD} - 0.5		V _{DD}	V
	Output voltage, low ^{Note 2}	V _{OL1}	P00 to P05, P16, P40	I _{OL} = 20 mA	4.0 V ≤ V _{DD} ≤ 5.5 V	0		1.5
I _{OL} = 1.5 mA				2.7 V ≤ V _{DD} ≤ 5.5 V	0		0.4	V
I _{OL} = 0.6 mA				2.0 V ≤ V _{DD} ≤ 5.5 V	0		0.4	V
V _{OL2}		P06, P07, P10 to P15	I _{OL} = 20 mA	4.0 V ≤ V _{DD} ≤ 5.5 V	0		1.5	V
			I _{OL} = 1.5 mA	2.7 V ≤ V _{DD} ≤ 5.5 V	0		0.4	V
			I _{OL} = 0.6 mA	2.0 V ≤ V _{DD} ≤ 5.5 V	0		0.4	V
			I _{OL} = 15 mA ^{Note 4}	4.5 V ≤ V _{DD} ≤ 5.5 V	0		0.6	V
Input leakage current, high		I _{LIH1}	P00 to P07, P10 to P16, P40, P41, P125, P137 V _I = V _{DD}				1	μA
Input leakage current, low	I _{LIL1}	P00 to P07, P10 to P16, P40, P41, P125, P137 V _I = V _{SS}				-1	μA	
On-chip pull-up resistance	R _U	V _I = V _{SS}		10	20	100	kΩ	
On-chip pull-down resistance ^{Note 5}	R _O	V _I = V _{DD}		100	200		kΩ	

- Notes**
1. The value under the condition which satisfies the high-level output current (I_{OH1}).
 2. The value under the condition which satisfies the low-level output current (I_{OL1}).
 3. P-ch open-drain (RL78/G1N only)
 4. N-ch open-drain
 5. RL78/G1N only.

Caution The maximum value of V_{IH} is V_{DD} even in N-ch open-drain mode.
Do not output high level in N-ch open-drain mode.

Remark Unless specified otherwise, the characteristics of alternate-function pins are the same as those of the port.

2.3.4 Supply current characteristics

(T_A = -40 to +85°C, 2.0 V ≤ V_{DD} ≤ 5.5 V, V_{SS} = 0 V)

Parameter	Symbol	Conditions				MIN.	TYP.	MAX.	Unit
Supply current ^{Note 1}	I _{DD1}	Operating mode	Basic operation	f _{IH} = 20 MHz	V _{DD} = 3.0 V, 5.0 V		1.05		mA
			Normal operation	f _{IH} = 20 MHz	V _{DD} = 3.0 V, 5.0 V		2.19	2.95	
				f _{IH} = 5 MHz	V _{DD} = 3.0 V, 5.0 V		1.13	1.56	
	I _{DD2} ^{Note 2}	HALT mode		f _{IH} = 20 MHz	V _{DD} = 3.0 V, 5.0 V		390	980	μA
				f _{IH} = 5 MHz	V _{DD} = 3.0 V, 5.0 V		300	640	
I _{DD3} ^{Note 3}	STOP mode ^{Note 4}		V _{DD} = 3.0 V			0.61 ^{Note 5}	2.35	μA	
12-bit interval timer operating current	I _{TMKA} ^{Notes 6, 7}					0.31		μA	
Watchdog timer operating current	I _{WDT} ^{Notes 6, 7}					0.31		μA	
A/D converter operating current	I _{ADC} ^{Note 6}	When conversion at maximum speed		V _{DD} = 5.0 V		1.30	1.90	mA	
				V _{DD} = 3.0 V		0.50		mA	

- Notes**
- Total current flowing into V_{DD}, including the input leakage current flowing when the level of the input pin is fixed to V_{DD} or V_{SS}. The values below the MAX. column include the peripheral operation current. However, not including the current flowing into the A/D converter, I/O port, and on-chip pull-up/pull-down resistors.
 - During HALT instruction execution by flash memory.
 - When watchdog timer and A/D converter are stopped. The values below the MAX. column include the leakage current.
 - Condition applies at any temperature.
 - Value at V_{DD} = 3 V, T_A = 25°C.
 - Current flowing into V_{DD}.
 - Excluding the operating current of the low-speed on-chip oscillator (f_{IL}).

- Remarks**
- f_{IL}: Low-speed on-chip oscillator clock frequency
 - Temperature condition of the typical value is T_A = 25°C

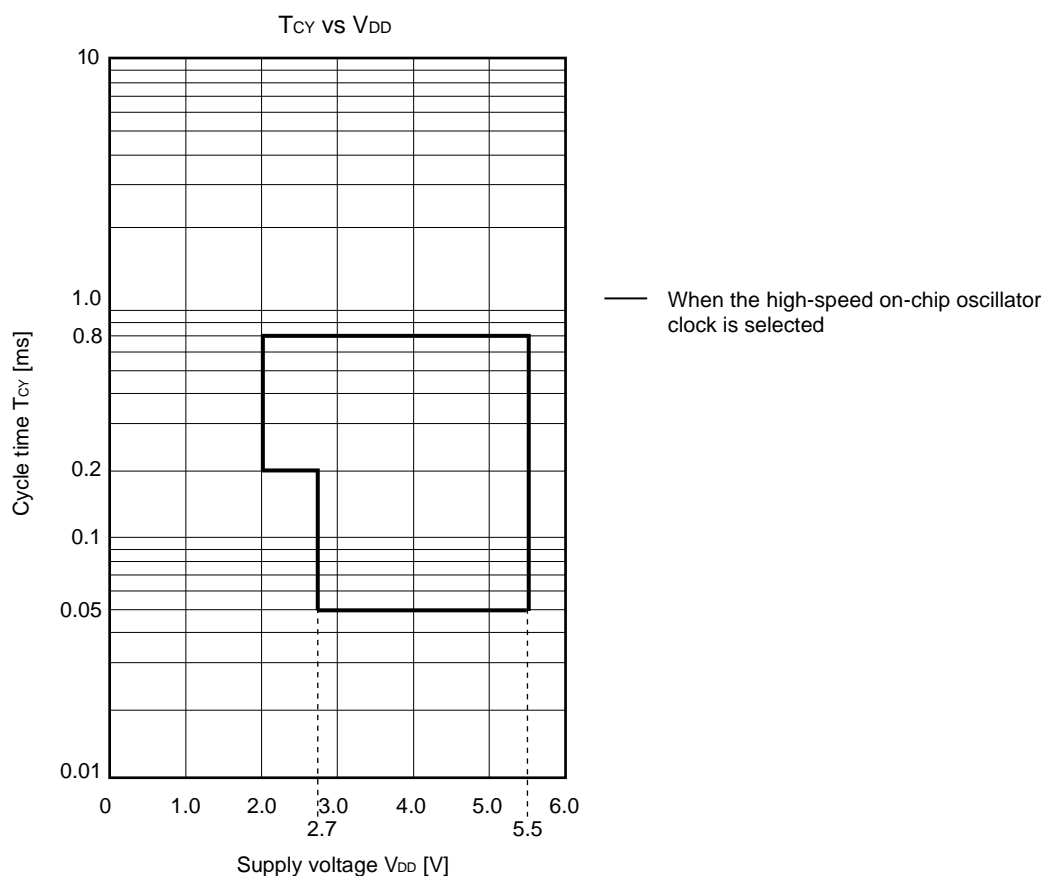
2.4 AC Characteristics

($T_A = -40$ to $+85^\circ\text{C}$, $2.0\text{ V} \leq V_{DD} \leq 5.5\text{ V}$, $V_{SS} = 0\text{ V}$)

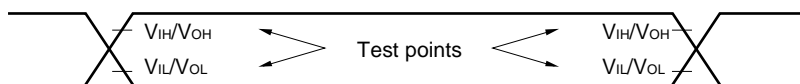
Items	Symbol	Conditions	MIN.	TYP.	MAX.	Unit	
Instruction cycle (minimum instruction execution time)	T_{CY}	Main system clock (f_{MAIN}) operation	$2.7\text{ V} \leq V_{DD} \leq 5.5\text{ V}$	0.05		0.8	μs
			$2.0\text{ V} \leq V_{DD} \leq 5.5\text{ V}$	0.2		0.8	μs
TI00 to TI03 input high-level width, low-level width	t_{TIH} , t_{TIL}	Noise filter is not used	$1/f_{MCK}+10$			ns	
TO00 to TO03 output frequency	f_{TO}	$4.0\text{ V} \leq V_{DD} \leq 5.5\text{ V}$			10	MHz	
		$2.7\text{ V} \leq V_{DD} < 4.0\text{ V}$			5	MHz	
		$2.0\text{ V} \leq V_{DD} < 2.7\text{ V}$			2.5	MHz	
PCLBUZ0 output frequency	f_{PCL}	$4.0\text{ V} \leq V_{DD} \leq 5.5\text{ V}$			10	MHz	
		$2.7\text{ V} \leq V_{DD} < 4.0\text{ V}$			5	MHz	
		$2.0\text{ V} \leq V_{DD} < 2.7\text{ V}$			2.5	MHz	
RESET low-level width	t_{RSL}		10			μs	

Remark f_{MCK} : Timer array unit operation clock frequency
 (Operation clock to be set by the timer clock select register 0 (TPS0) and the CKS0n1 bit of timer mode register 0nH (TMR0nH). n: Channel number (n = 0 to 3))

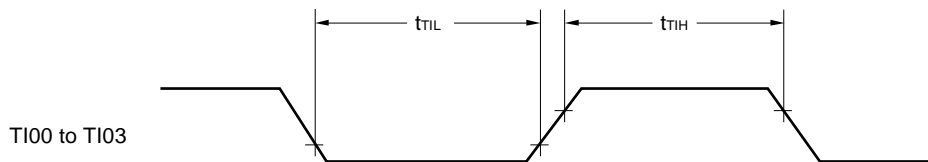
Minimum Instruction Execution Time during Main System Clock Operation



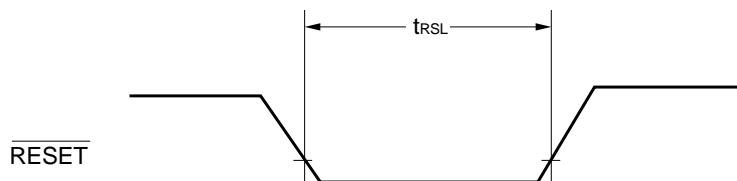
AC Timing Test Points



TI/TO Timing

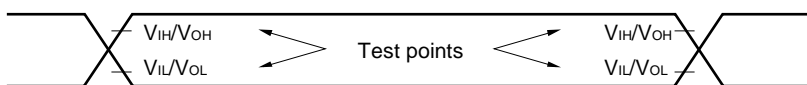


$\overline{\text{RESET}}$ Input Timing



2.5 Serial Interface Characteristics

AC Timing Test Points



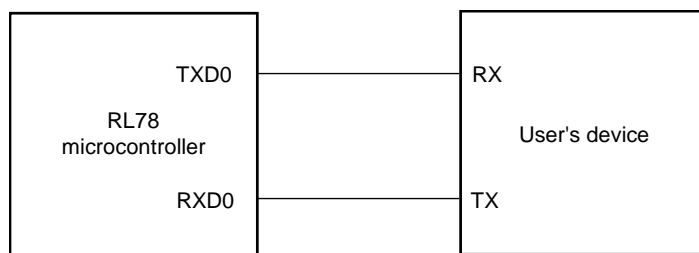
2.5.1 Serial array unit

(1) UART mode (dedicated baud rate generator output)

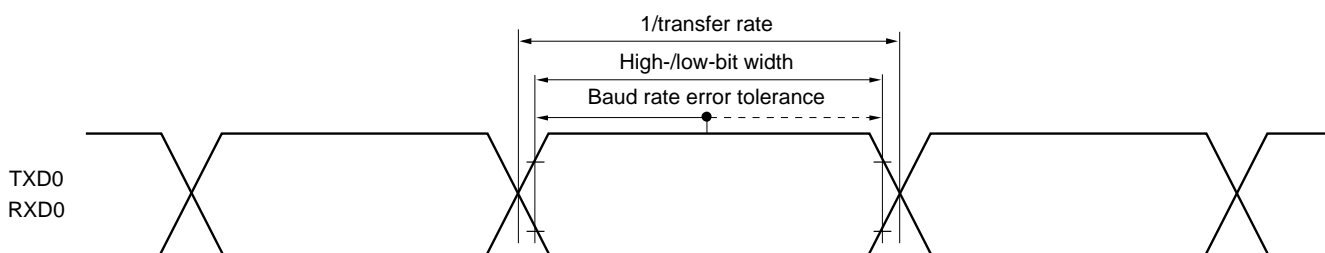
($T_A = -40$ to $+85^\circ\text{C}$, $2.0\text{ V} \leq V_{DD} \leq 5.5\text{ V}$, $V_{SS} = 0\text{ V}$)

Parameter	Symbol	Conditions	MIN.	TYP.	MAX.	Unit
Transfer rate					$f_{MCK}/6$	bps
		Theoretical value of the maximum transfer rate $f_{CLK} = f_{MCK} = 20\text{ MHz}$			3.3	Mbps

UART mode connection diagram



UART mode bit width (reference)



Remark f_{MCK} : Serial array unit operation clock frequency
 (Operation clock to be set by the serial clock select register 0 (SPS0) and the CKS0n bit of the serial mode register 0nH (SMR0nH). n: Channel number (n = 0, 1))

(2) CSI mode (master mode, SCKp...internal clock output)

(TA = -40 to +85°C, 2.0 V ≤ VDD ≤ 5.5 V, VSS = 0 V)

Parameter	Symbol	Conditions	MIN.	TYP.	MAX.	Unit
SCKp cycle time	t _{KCY1}	t _{KCY1} ≥ 4/f _{CLK}	2.7 V ≤ V _{DD} ≤ 5.5 V	200		ns
			2.0 V ≤ V _{DD} ≤ 5.5 V	800		ns
SCKp high-/low-level width	t _{KH1} , t _{KL1}	2.7 V ≤ V _{DD} ≤ 5.5 V		t _{KCY1} /2 - 18		ns
		2.0 V ≤ V _{DD} ≤ 5.5 V		t _{KCY1} /2 - 50		ns
Slp setup time (to SCKp↑) ^{Note 1}	t _{SIK1}	2.7 V ≤ V _{DD} ≤ 5.5 V		47		ns
		2.0 V ≤ V _{DD} ≤ 5.5 V		110		ns
Slp hold time (from SCKp↑) ^{Note 1}	t _{KSI1}			19		ns
Delay time from SCKp↓ to SOp output ^{Note 2}	t _{KSO1}	C = 30 pF ^{Note 3}			25	ns

- Notes**
1. When DAP0n = 0 and CKP0n = 0, or DAP0n = 1 and CKP0n = 1. The Slp setup time becomes “to SCKp↓” and Slp hold time becomes “from SCKp↓” when DAP0n = 0 and CKP0n = 1, or DAP0n = 1 and CKP0n = 0.
 2. When DAP0n = 0 and CKP0n = 0, or DAP0n = 1 and CKP0n = 1. The delay time to SOp output becomes “from SCKp↑” when DAP0n = 0 and CKP0n = 1, or DAP0n = 1 and CKP0n = 0.
 3. C is the load capacitance of the SCKp and SOp output lines.

Remark p: CSI number (p = 00), n: Channel number (n = 0)

(3) CSI mode (slave mode, SCKp...external clock input)

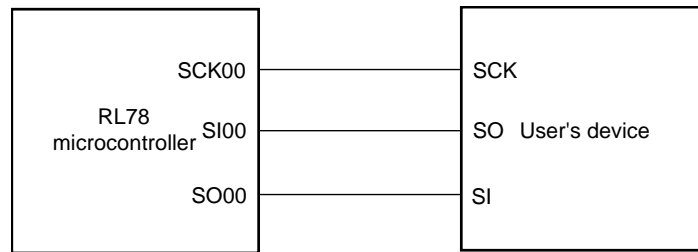
(TA = -40 to +85°C, 2.0 V ≤ VDD ≤ 5.5 V, VSS = 0 V)

Parameter	Symbol	Conditions	MIN.	TYP.	MAX.	Unit
SCKp cycle time	t _{KCY2}	2.7 V ≤ V _{DD} ≤ 5.5 V	f _{MCK} > 16 MHz	8/f _{MCK}		ns
			f _{MCK} ≤ 16 MHz	6/f _{MCK}		ns
		2.0 V ≤ V _{DD} ≤ 5.5 V	6/f _{MCK}		ns	
SCKp high-/low-level width	t _{KH2} , t _{KL2}	2.0 V ≤ V _{DD} ≤ 5.5 V	t _{KCY2} /2			ns
Slp setup time (to SCKp↑) ^{Note 1}	t _{SIK2}	2.7 V ≤ V _{DD} ≤ 5.5 V	1/f _{MCK} +20			ns
		2.0 V ≤ V _{DD} ≤ 5.5 V	1/f _{MCK} +30			ns
Slp hold time (from SCKp↑) ^{Note 1}	t _{KSl2}	2.0 V ≤ V _{DD} ≤ 5.5 V	1/f _{MCK} +31			ns
Delay time from SCKp↓ to SOp output ^{Note 2}	t _{KSO2}	C = 30 pF ^{Note 3}	2.7 V ≤ V _{DD} ≤ 5.5 V		2/f _{MCK} +50	ns
			2.0 V ≤ V _{DD} ≤ 5.5 V		2/f _{MCK} +110	ns

- Notes**
1. When DAP0n = 0 and CKP0n = 0, or DAP0n = 1 and CKP0n = 1. The Slp setup time becomes “to SCKp↓” and the Slp hold time becomes “from SCKp↓” when DAP0n = 0 and CKP0n = 1, or DAP0n = 1 and CKP0n = 0.
 2. When DAP0n = 0 and CKP0n = 0, or DAP0n = 1 and CKP0n = 1. The delay time to SOp output becomes “from SCKp↑” when DAP0n = 0 and CKP0n = 1, or DAP0n = 1 and CKP0n = 0.
 3. C is the load capacitance of the SOp output lines.

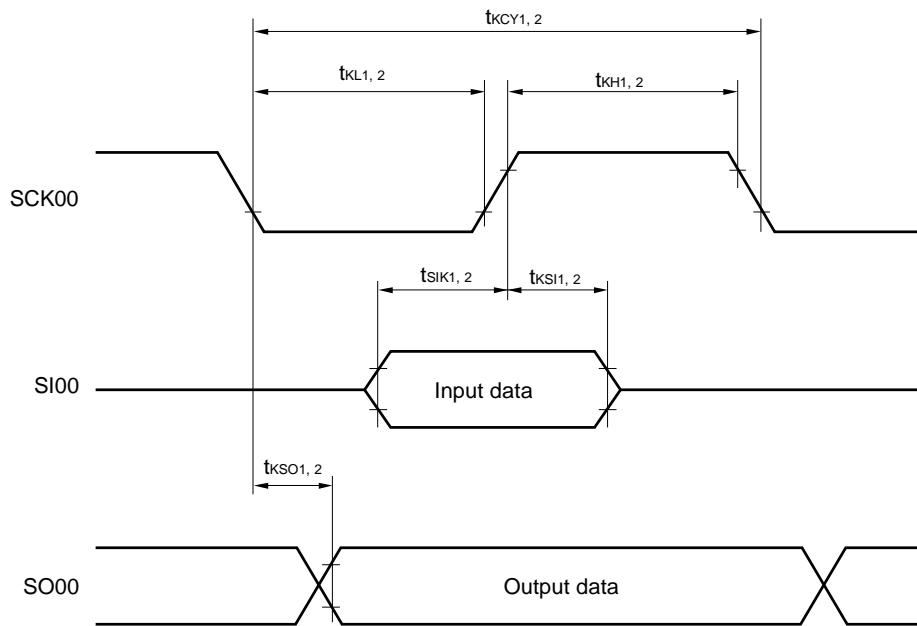
- Remarks**
1. p: CSI number (p = 00), n: Channel number (n = 0)
 2. f_{MCK}: Serial array unit operation clock frequency
(Operation clock to be set by the serial clock select register 0 (SPS0) and the CKS0n bit of the serial mode register 0nH (SMR0nH). n: Channel number (n = 0))

CSI mode connection diagram



CSI mode serial transfer timing

(When DAP00 = 0 and CKP00 = 0, or DAP00 = 1 and CKP00 = 1.)



2.6 Analog Characteristics

2.6.1 A/D converter characteristics

(Target ANI pin: ANI0 to ANI7)

($T_A = -40$ to $+85^\circ\text{C}$, $2.4\text{ V} \leq V_{DD} \leq 5.5\text{ V}$, $V_{SS} = 0\text{ V}$)

Parameter	Symbol	Conditions	MIN.	TYP.	MAX.	Unit	
Resolution	RES		8		10	bit	
Overall error ^{Notes 1, 2, 3}	AINL	10-bit resolution	$V_{DD} = 5\text{ V}$		± 1.7	± 3.1	LSB
			$V_{DD} = 3\text{ V}$		± 2.3	± 4.5	LSB
Conversion time	t_{CONV}	10-bit resolution Target pin: ANI0 to ANI7	$2.7\text{ V} \leq V_{DD} \leq 5.5\text{ V}$	3.4		18.4	μs
			$2.4\text{ V} \leq V_{DD} \leq 5.5\text{ V}$ ^{Note 5}	4.6		18.4	
Zero-scale error ^{Notes 1, 2, 3, 4}	E _{ZS}	10-bit resolution	$V_{DD} = 5\text{ V}$			± 0.19	%FSR
			$V_{DD} = 3\text{ V}$			± 0.39	%FSR
Full-scale error ^{Notes 1, 2, 3, 4}	E _{FS}	10-bit resolution	$V_{DD} = 5\text{ V}$			± 0.29	%FSR
			$V_{DD} = 3\text{ V}$			± 0.42	%FSR
Integral linearity error ^{Notes 1, 2, 3}	ILE	10-bit resolution	$V_{DD} = 5\text{ V}$			± 1.8	LSB
			$V_{DD} = 3\text{ V}$			± 1.7	LSB
Differential linearity error ^{Notes 1, 2, 3}	DLE	10-bit resolution	$V_{DD} = 5\text{ V}$			± 1.4	LSB
			$V_{DD} = 3\text{ V}$			± 1.5	LSB
Analog input voltage	V _{AIN}	Target pin: ANI0 to ANI7	0		V _{DD}	V	

- Notes**
1. TYP. Value is the average value at $T_A = 25^\circ\text{C}$. MAX. value is the average value $\pm 3\sigma$ at normal distribution.
 2. These values are the results of characteristic evaluation and are not checked for shipment.
 3. Excludes quantization error ($\pm 1/2$ LSB).
 4. This value is indicated as a ratio (%FSR) to the full-scale value.
 5. Set the LV0 bit in the A/D converter mode register 0 (ADM0) to 0 when conversion is done in the operating voltage range of $2.4\text{ V} \leq V_{DD} < 2.7\text{ V}$.

- Cautions**
1. Arrange wiring and insert the capacitor so that no noise appears on the power supply/ground line.
 2. Do not allow any pulses that rapidly change such as digital signals to be input/output to/from the pins adjacent to the conversion pin during A/D conversion.
 3. Set P-ch open drain of P00 to P05 to off state (high impedance) during A/D conversion (RL78/G1N).

2.6.2 SPOR circuit characteristics

($T_A = -40$ to $+85^\circ\text{C}$, $V_{SS} = 0$ V)

Parameter	Symbol	Conditions	MIN.	TYP.	MAX.	Unit
Detection supply voltage	V_{SPOR0}	Power supply rise time	4.08	4.28	4.45	V
		Power supply fall time	4.00	4.20	4.37	V
	V_{SPOR1}	Power supply rise time	2.76	2.90	3.02	V
		Power supply fall time	2.70	2.84	2.96	V
	V_{SPOR2}	Power supply rise time	2.44	2.57	2.68	V
		Power supply fall time	2.40	2.52	2.62	V
	V_{SPOR3}	Power supply rise time	2.05	2.16	2.25	V
		Power supply fall time	2.00	2.11	2.20	V
Minimum pulse width ^{Note}	T_{SPW}		300			μs

Note Time required for the reset operation by the SPOR when V_{DD} becomes under V_{SPOR} .

Caution Set the detection voltage (V_{SPOR}) in the operating voltage range. The operating voltage range depends on the setting of the user option byte (000C2H). The operating voltage range is as follows:
 When the CPU operating frequency is from 1.25 MHz to 20 MHz: $V_{DD} = 2.7$ to 5.5 V
 When the CPU operating frequency is from 1.25 MHz to 5 MHz: $V_{DD} = 2.0$ to 5.5 V

2.6.3 Power supply voltage rising slope characteristics

($T_A = -40$ to $+85^\circ\text{C}$, $V_{SS} = 0$ V)

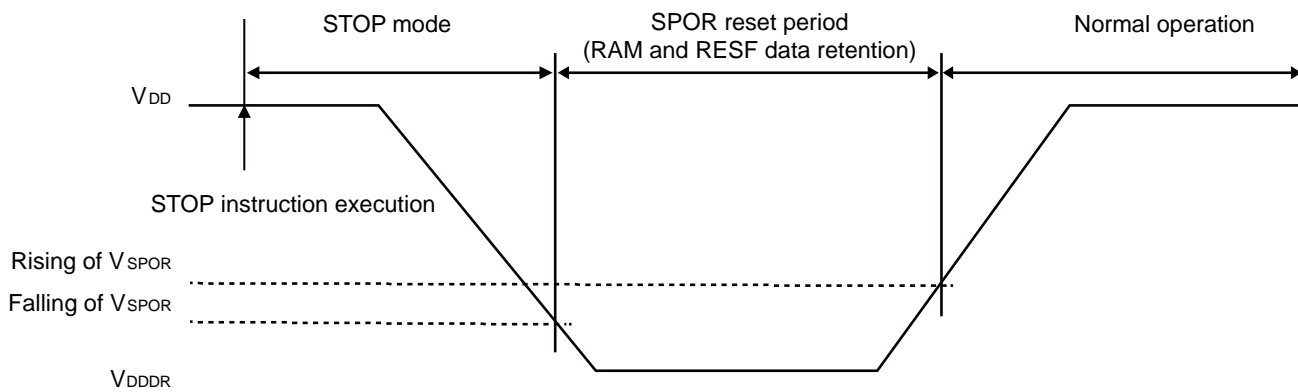
Parameter	Symbol	Conditions	MIN.	TYP.	MAX.	Unit
Power supply voltage rising slope	S_{VDD}				54	V/ms

2.6.4 RAM data retention characteristics

($T_A = -40$ to $+85^\circ\text{C}$, $V_{SS} = 0$ V)

Parameter	Symbol	Conditions	MIN.	TYP.	MAX.	Unit
Data retention power supply voltage	V_{DDDR}		1.9		5.5	V

Caution Data in RAM are retained until the power supply voltage becomes under the minimum value of the data retention power supply voltage (V_{DDDR}). Note that data in the RESF register might not be cleared even if the power supply voltage becomes under the minimum value of the data retention power supply voltage (V_{DDDR}).



2.7 Flash Memory Programming Characteristics

($T_A = 0$ to $+40^\circ\text{C}$, $4.5\text{ V} \leq V_{DD} \leq 5.5\text{ V}$, $V_{SS} = 0\text{ V}$)

Parameter	Symbol	Conditions	MIN.	TYP.	MAX.	Unit
Code flash memory rewritable times ^{Notes 1, 2, 3}	C_{erwr}	Retained for 20 years ($T_A = 85^\circ\text{C}$)	1000			Times

- Notes**
- 1 erase + 1 write after the erase is regarded as 1 rewrite. The retaining years are until next rewrite after the rewrite.
 2. When using flash memory programmer.
 3. These are the characteristics of the flash memory and the results obtained from reliability testing by Renesas Electronics Corporation.

2.8 Dedicated Flash Memory Programmer Communication (UART)

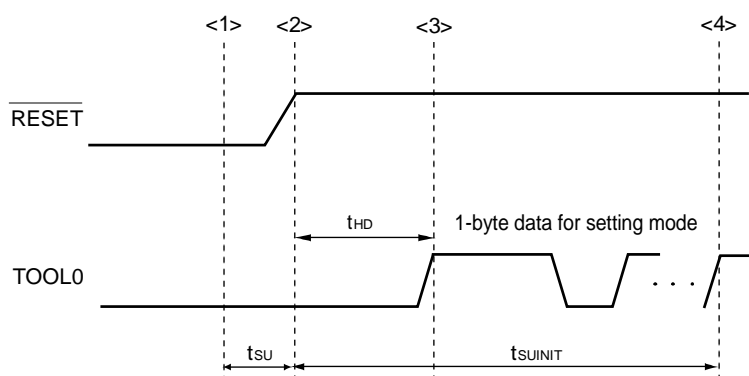
($T_A = 0$ to $+40^\circ\text{C}$, $4.5\text{ V} \leq V_{DD} \leq 5.5\text{ V}$, $V_{SS} = 0\text{ V}$)

Parameter	Symbol	Conditions	MIN.	TYP.	MAX.	Unit
Transfer rate				115,200		bps

Remark The transfer rate during flash memory programming is fixed to 115,200 bps.

2.9 Timing of Entry to Flash Memory Programming Modes

Parameter	Symbol	Conditions	MIN.	TYP.	MAX.	Unit
Time to complete the communication for the initial setting after the external reset is released	t_{SUINIT}	SPOR reset must be released before the external reset is released.			100	ms
Time to release the external reset after the TOOL0 pin is set to the low level	t_{SU}	SPOR reset must be released before the external reset is released.	10			μ s
Time to hold the TOOL0 pin at the low level after the external reset is released	t_{HD}	SPOR reset must be released before the external reset is released.	1			ms



- <1> The low level is input to the TOOL0 pin.
- <2> The external reset is released (SPOR reset must be released before the external reset is released.).
- <3> The TOOL0 pin is set to the high level.
- <4> Setting of entry to the flash memory programming mode by UART reception.

Remark t_{SUINIT} : Communication for the initial setting must be completed within 100 ms (68 ms at $T_A = -40$ to $+85^\circ\text{C}$) after the external reset is released during this period.

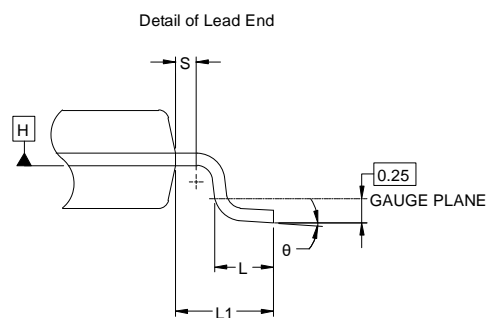
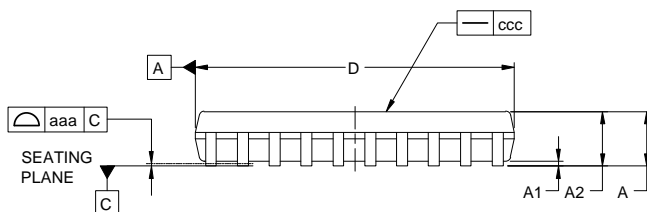
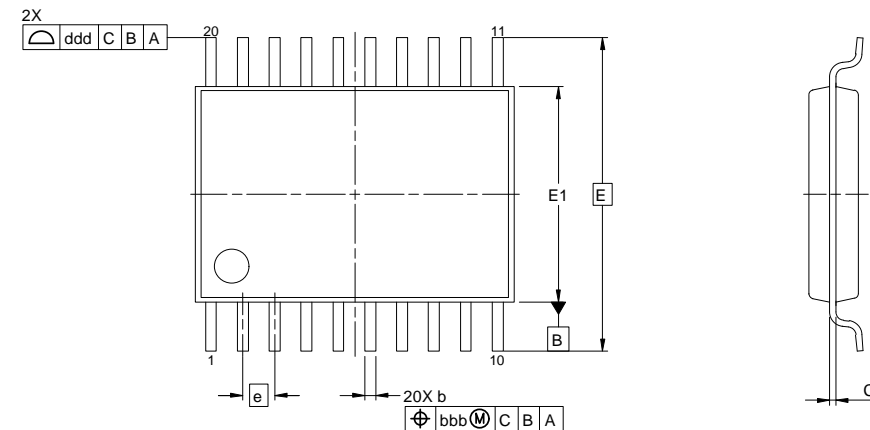
t_{SU} : Time to release the external reset after the TOOL0 pin is set to the low level

t_{HD} : Time to hold the TOOL0 pin at the low level after the external reset is released

3. PACKAGE DRAWINGS

3.1 20-Pin Products

JEITA Package code	RENESAS code	MASS(TYP.)[g]
P-TSSOP20-4.40x6.50-0.65	PTSP0020JI-A	0.08



Reference Symbol	Dimension in Millimeters		
	Min.	Nom.	Max.
A	-	-	1.20
A1	0.05	-	0.15
A2	0.80	1.00	1.05
b	0.19	-	0.30
C	0.09	0.127	0.20
D	6.40	6.50	6.60
E1	4.30	4.40	4.50
E	6.40 BSC		
e	0.65 BSC		
L1	1.00 REF		
L	0.50	0.60	0.75
S	0.20	-	-
θ	0°	-	8°
aaa	0.10		
bbb	0.10		
ccc	0.05		
ddd	0.20		

- NOTES:
 1.DIMENSION 'D' AND 'E1' DOES NOT INCLUDE MOLD FLASH.
 2.DIMENSION 'b' DOES NOT INCLUDE TRIM OFFSET.
 3.DIMENSION 'D' AND 'E1' TO BE DETERMINED AT DATUM PLANE H.

Revision History	RL78/G1M, G1N Datasheet
-------------------------	--------------------------------

Rev.	Date	Description	
		Page	Summary
1.00	May 29, 2020	–	First Edition issued.

All trademarks and registered trademarks are the property of their respective owners.
SuperFlash is a registered trademark of Silicon Storage Technology, Inc. in several countries including the United States and Japan.

Caution: This product uses SuperFlash® technology licensed from Silicon Storage Technology, Inc.
--

General Precautions in the Handling of Microprocessing Unit and Microcontroller Unit Products

The following usage notes are applicable to all Microprocessing unit and Microcontroller unit products from Renesas. For detailed usage notes on the products covered by this document, refer to the relevant sections of the document as well as any technical updates that have been issued for the products.

1. Precaution against Electrostatic Discharge (ESD)

A strong electrical field, when exposed to a CMOS device, can cause destruction of the gate oxide and ultimately degrade the device operation. Steps must be taken to stop the generation of static electricity as much as possible, and quickly dissipate it when it occurs. Environmental control must be adequate. When it is dry, a humidifier should be used. This is recommended to avoid using insulators that can easily build up static electricity.

Semiconductor devices must be stored and transported in an anti-static container, static shielding bag or conductive material. All test and measurement tools including work benches and floors must be grounded. The operator must also be grounded using a wrist strap. Semiconductor devices must not be touched with bare hands. Similar precautions must be taken for printed circuit boards with mounted semiconductor devices.

2. Processing at power-on

The state of the product is undefined at the time when power is supplied. The states of internal circuits in the LSI are indeterminate and the states of register settings and pins are undefined at the time when power is supplied. In a finished product where the reset signal is applied to the external reset pin, the states of pins are not guaranteed from the time when power is supplied until the reset process is completed. In a similar way, the states of pins in a product that is reset by an on-chip power-on reset function are not guaranteed from the time when power is supplied until the power reaches the level at which resetting is specified.

3. Input of signal during power-off state

Do not input signals or an I/O pull-up power supply while the device is powered off. The current injection that results from input of such a signal or I/O pull-up power supply may cause malfunction and the abnormal current that passes in the device at this time may cause degradation of internal elements. Follow the guideline for input signal during power-off state as described in your product documentation.

4. Handling of unused pins

Handle unused pins in accordance with the directions given under handling of unused pins in the manual. The input pins of CMOS products are generally in the high-impedance state. In operation with an unused pin in the open-circuit state, extra electromagnetic noise is induced in the vicinity of the LSI, an associated shoot-through current flows internally, and malfunctions occur due to the false recognition of the pin state as an input signal become possible.

5. Clock signals

After applying a reset, only release the reset line after the operating clock signal becomes stable. When switching the clock signal during program execution, wait until the target clock signal is stabilized. When the clock signal is generated with an external resonator or from an external oscillator during a reset, ensure that the reset line is only released after full stabilization of the clock signal. Additionally, when switching to a clock signal produced with an external resonator or by an external oscillator while program execution is in progress, wait until the target clock signal is stable.

6. Voltage application waveform at input pin

Waveform distortion due to input noise or a reflected wave may cause malfunction. If the input of the CMOS device stays in the area between V_{IL} (Max.) and V_{IH} (Min.) due to noise, for example, the device may malfunction. Take care to prevent chattering noise from entering the device when the input level is fixed, and also in the transition period when the input level passes through the area between V_{IL} (Max.) and V_{IH} (Min.).

7. Prohibition of access to reserved addresses

Access to reserved addresses is prohibited. The reserved addresses are provided for possible future expansion of functions. Do not access these addresses as the correct operation of the LSI is not guaranteed.

8. Differences between products

Before changing from one product to another, for example to a product with a different part number, confirm that the change will not lead to problems. The characteristics of a microprocessing unit or microcontroller unit products in the same group but having a different part number might differ in terms of internal memory capacity, layout pattern, and other factors, which can affect the ranges of electrical characteristics, such as characteristic values, operating margins, immunity to noise, and amount of radiated noise. When changing to a product with a different part number, implement a system-evaluation test for the given product.

Notice

1. Descriptions of circuits, software and other related information in this document are provided only to illustrate the operation of semiconductor products and application examples. You are fully responsible for the incorporation or any other use of the circuits, software, and information in the design of your product or system. Renesas Electronics disclaims any and all liability for any losses and damages incurred by you or third parties arising from the use of these circuits, software, or information.
 2. Renesas Electronics hereby expressly disclaims any warranties against and liability for infringement or any other claims involving patents, copyrights, or other intellectual property rights of third parties, by or arising from the use of Renesas Electronics products or technical information described in this document, including but not limited to, the product data, drawings, charts, programs, algorithms, and application examples.
 3. No license, express, implied or otherwise, is granted hereby under any patents, copyrights or other intellectual property rights of Renesas Electronics or others.
 4. You shall not alter, modify, copy, or reverse engineer any Renesas Electronics product, whether in whole or in part. Renesas Electronics disclaims any and all liability for any losses or damages incurred by you or third parties arising from such alteration, modification, copying or reverse engineering.
 5. Renesas Electronics products are classified according to the following two quality grades: "Standard" and "High Quality". The intended applications for each Renesas Electronics product depends on the product's quality grade, as indicated below.
"Standard": Computers; office equipment; communications equipment; test and measurement equipment; audio and visual equipment; home electronic appliances; machine tools; personal electronic equipment; industrial robots; etc.
"High Quality": Transportation equipment (automobiles, trains, ships, etc.); traffic control (traffic lights); large-scale communication equipment; key financial terminal systems; safety control equipment; etc.
Unless expressly designated as a high reliability product or a product for harsh environments in a Renesas Electronics data sheet or other Renesas Electronics document, Renesas Electronics products are not intended or authorized for use in products or systems that may pose a direct threat to human life or bodily injury (artificial life support devices or systems; surgical implantations; etc.), or may cause serious property damage (space system; undersea repeaters; nuclear power control systems; aircraft control systems; key plant systems; military equipment; etc.). Renesas Electronics disclaims any and all liability for any damages or losses incurred by you or any third parties arising from the use of any Renesas Electronics product that is inconsistent with any Renesas Electronics data sheet, user's manual or other Renesas Electronics document.
 6. When using Renesas Electronics products, refer to the latest product information (data sheets, user's manuals, application notes, "General Notes for Handling and Using Semiconductor Devices" in the reliability handbook, etc.), and ensure that usage conditions are within the ranges specified by Renesas Electronics with respect to maximum ratings, operating power supply voltage range, heat dissipation characteristics, installation, etc. Renesas Electronics disclaims any and all liability for any malfunctions, failure or accident arising out of the use of Renesas Electronics products outside of such specified ranges.
 7. Although Renesas Electronics endeavors to improve the quality and reliability of Renesas Electronics products, semiconductor products have specific characteristics, such as the occurrence of failure at a certain rate and malfunctions under certain use conditions. Unless designated as a high reliability product or a product for harsh environments in a Renesas Electronics data sheet or other Renesas Electronics document, Renesas Electronics products are not subject to radiation resistance design. You are responsible for implementing safety measures to guard against the possibility of bodily injury, injury or damage caused by fire, and/or danger to the public in the event of a failure or malfunction of Renesas Electronics products, such as safety design for hardware and software, including but not limited to redundancy, fire control and malfunction prevention, appropriate treatment for aging degradation or any other appropriate measures. Because the evaluation of microcomputer software alone is very difficult and impractical, you are responsible for evaluating the safety of the final products or systems manufactured by you.
 8. Please contact a Renesas Electronics sales office for details as to environmental matters such as the environmental compatibility of each Renesas Electronics product. You are responsible for carefully and sufficiently investigating applicable laws and regulations that regulate the inclusion or use of controlled substances, including without limitation, the EU RoHS Directive, and using Renesas Electronics products in compliance with all these applicable laws and regulations. Renesas Electronics disclaims any and all liability for damages or losses occurring as a result of your noncompliance with applicable laws and regulations.
 9. Renesas Electronics products and technologies shall not be used for or incorporated into any products or systems whose manufacture, use, or sale is prohibited under any applicable domestic or foreign laws or regulations. You shall comply with any applicable export control laws and regulations promulgated and administered by the governments of any countries asserting jurisdiction over the parties or transactions.
 10. It is the responsibility of the buyer or distributor of Renesas Electronics products, or any other party who distributes, disposes of, or otherwise sells or transfers the product to a third party, to notify such third party in advance of the contents and conditions set forth in this document.
 11. This document shall not be reprinted, reproduced or duplicated in any form, in whole or in part, without prior written consent of Renesas Electronics.
 12. Please contact a Renesas Electronics sales office if you have any questions regarding the information contained in this document or Renesas Electronics products.
- (Note 1) "Renesas Electronics" as used in this document means Renesas Electronics Corporation and also includes its directly or indirectly controlled subsidiaries.
(Note 2) "Renesas Electronics product(s)" means any product developed or manufactured by or for Renesas Electronics.

(Rev.4.0-1 November 2017)



SALES OFFICES

Renesas Electronics Corporation

<http://www.renesas.com>

Refer to "<http://www.renesas.com/>" for the latest and detailed information.

Renesas Electronics Corporation

TOYOSU FORESIA, 3-2-24 Toyosu, Koto-ku, Tokyo 135-0061, Japan

Renesas Electronics America Inc. Milpitas Campus

1001 Murphy Ranch Road, Milpitas, CA 95035, U.S.A.

Tel: +1-408-432-8888, Fax: +1-408-434-5351

Renesas Electronics America Inc. San Jose Campus

6024 Silver Creek Valley Road, San Jose, CA 95138, USA

Tel: +1-408-284-8200, Fax: +1-408-284-2775

Renesas Electronics Canada Limited

9251 Yonge Street, Suite 8309 Richmond Hill, Ontario Canada L4C 9T3

Tel: +1-905-237-2004

Renesas Electronics Europe GmbH

Arcadiastrasse 10, 40472 Düsseldorf, Germany

Tel: +49-211-6503-0, Fax: +49-211-6503-1327

Renesas Electronics (China) Co., Ltd.

Room 101-T01, Floor 1, Building 7, Yard No. 7, 8th Street, Shangdi, Haidian District, Beijing 100085, China

Tel: +86-10-8235-1155, Fax: +86-10-8235-7679

Renesas Electronics (Shanghai) Co., Ltd.

Unit 301, Tower A, Central Towers, 555 Langao Road, Putuo District, Shanghai 200333, China

Tel: +86-21-2226-0888, Fax: +86-21-2226-0999

Renesas Electronics Hong Kong Limited

Unit 1601-1611, 16/F., Tower 2, Grand Century Place, 193 Prince Edward Road West, Mongkok, Kowloon, Hong Kong

Tel: +852-2265-6688, Fax: +852 2886-9022

Renesas Electronics Taiwan Co., Ltd.

13F, No. 363, Fu Shing North Road, Taipei 10543, Taiwan

Tel: +886-2-8175-9600, Fax: +886 2-8175-9670

Renesas Electronics Singapore Pte. Ltd.

80 Bendemeer Road, #06-02 Singapore 339949

Tel: +65-6213-0200, Fax: +65-6213-0300

Renesas Electronics Malaysia Sdn.Bhd.

Unit No 3A-1 Level 3A Tower 8 UOA Business Park, No 1 Jalan Pengerutcara U1/51A, Seksyen U1, 40150 Shah Alam, Selangor, Malaysia

Tel: +60-3-5022-1288, Fax: +60-3-5022-1290

Renesas Electronics India Pvt. Ltd.

No.777C, 100 Feet Road, HAL 2nd Stage, Indiranagar, Bangalore 560 038, India

Tel: +91-80-67208700

Renesas Electronics Korea Co., Ltd.

17F, KAMCO Yangjae Tower, 262, Gangnam-daero, Gangnam-gu, Seoul, 06265 Korea

Tel: +82-2-558-3737, Fax: +82-2-558-5338

X-ON Electronics

Largest Supplier of Electrical and Electronic Components

Click to view similar products for [8-bit Microcontrollers - MCU category](#):

Click to view products by [Renesas manufacturer](#):

Other Similar products are found below :

[CY8C20524-12PVXIT](#) [MB95F012KPFT-G-SNE2](#) [MB95F013KPMC-G-SNE2](#) [MB95F263KPF-G-SNE2](#) [MB95F264KPFT-G-SNE2](#)
[MB95F398KPMC-G-SNE2](#) [MB95F478KPMC2-G-SNE2](#) [MB95F564KPF-G-SNE2](#) [MB95F636KWQN-G-SNE1](#) [MB95F696KPMC-G-SNE2](#)
[MB95F698KPMC2-G-SNE2](#) [MB95F698KPMC-G-SNE2](#) [MB95F818KPMC1-G-SNE2](#) [901015X](#) [CY8C3MFIDOCK-125](#) [403708R](#)
[MB95F354EPF-G-SNE2](#) [MB95F564KWQN-G-SNE1](#) [MB95F636KP-G-SH-SNE2](#) [MB95F694KPMC-G-SNE2](#) [MB95F778JPMC1-G-SNE2](#)
[MB95F818KPMC-G-SNE2](#) [LC87F0G08AUJA-AH](#) [CP8361BT](#) [CG8421AF](#) [MB95F202KPF-G-SNE2](#) [DF36014FPV](#) [MB95F318EPMC-G-SNE2](#) [MB94F601APMC1-GSE1](#) [MB95F656EPF-G-SNE2](#) [LC78615E-01US-H](#) [LC87F5WC8AVU-QIP-H](#) [MB95F108AJSPMC-G-JNE1](#)
[73S1210F-68M/F/PJ](#) [MB89F538-101PMC-GE1](#) [LC87F7DC8AVU-QIP-H](#) [MB95F876KPMC-G-SNE2](#) [MB88386PMC-GS-BNDE1](#)
[LC87FBK08AU-SSOP-H](#) [LC87F2C64AU-QFP-H](#) [MB95F636KNWQN-G-118-SNE1](#) [MB95F136NBSTPFV-GS-N2E1](#) [LC87F5NC8AVU-QIP-E](#) [CY8C20324-12LQXIT](#) [LC87F76C8AU-TQFP-E](#) [CG8581AA](#) [LC87F2G08AU-SSOP-E](#) [CP8085AT](#) [ATTINY3224-SSU](#)
[MC9RS08KA1CDB](#)