

1. Overview

1.1 Features

The R8C/34U Group, R8C/34K Group of single-chip MCUs incorporates the R8C CPU core, employing sophisticated instructions for a high level of efficiency. With 1 Mbyte of address space, and it is capable of executing instructions at high speed. In addition, the CPU core boasts a multiplier for high-speed operation processing.

Power consumption is low, and the supported operating modes allow additional power control. These MCUs are designed to maximize EMI/EMS performance.

Integration of many peripheral functions, including multifunction timer and serial interface, reduces the number of system components.

The R8C/34U Group, R8C/34K Group has data flash (1 KB × 4 blocks) with the background operation (BGO) function.

1.1.1 Applications

Peripherals (USB applicable), audio components, cameras, televisions, household appliances, office equipment, communication devices, mobile devices, industrial equipment, and other applications.

1.1.2 Differences between Groups

Table 1.1 lists the Differences between Groups.

Table 1.1 Differences between Groups

Item	R8C/34U Group	R8C/34K Group
Memory (ROM/RAM)	32 KB/4 KB, 64 KB/8 KB	64 KB/8 KB, 128 KB/10 KB
USB Functions	Peripheral function	Host/peripheral function

1.1.3 Specifications

Tables 1.2 and 1.3 outline the Specifications for R8C/34U Group, R8C/34K Group.

Table 1.2 Specifications for R8C/34U Group, R8C/34K Group (1)

Item	Function	Specification
CPU	Central processing unit	R8C CPU core <ul style="list-style-type: none"> • Number of fundamental instructions: 89 • Minimum instruction execution time: <ul style="list-style-type: none"> 50 ns ($f(XIN) = 20$ MHz, $VCC = 2.7$ to 5.5 V) 200 ns ($f(XIN) = 5$ MHz, $VCC = 1.8$ to 5.5 V) • Multiplier: 16 bits \times 16 bits \rightarrow 32 bits • Multiply-accumulate instruction: 16 bits \times 16 bits + 32 bits \rightarrow 32 bits • Operation mode: Single-chip mode (address space: 1 Mbyte)
Memory	ROM, RAM, Data flash	Refer to Table 1.4 Product List for R8C/34U Group , and Table 1.5 Product List for R8C/34K Group .
Power Supply Voltage Detection	Voltage detection circuit	<ul style="list-style-type: none"> • Power-on reset • Voltage detection 3 (detection level of voltage detection 0 and voltage detection 1 selectable)
I/O Ports	Programmable I/O ports	<ul style="list-style-type: none"> • CMOS I/O ports: 36, selectable pull-up resistor • High current drive ports: 36
Clock	Clock generation circuits	<ul style="list-style-type: none"> • 4 circuits: XIN clock oscillation circuit, High-speed on-chip oscillator (with frequency adjustment function), Low-speed on-chip oscillator, PLL frequency synthesizer • Oscillation stop detection: XIN clock oscillation stop detection function • Frequency divider circuit: Dividing selectable 1, 2, 4, 8, and 16 • Low power consumption modes: Standard operating mode (XIN clock, PLL frequency synthesizer, high-speed on-chip oscillator, low-speed on-chip oscillator), wait mode, stop mode
Interrupts		<ul style="list-style-type: none"> • Interrupt Vectors: 69 • External: 9 sources ($INT \times 5$, key input $\times 4$) • Priority levels: 7 levels
Watchdog Timer		<ul style="list-style-type: none"> • 14 bits \times 1 (with prescaler) • Reset start selectable • Low-speed on-chip oscillator for watchdog timer selectable
DTC (Data Transfer Controller)		<ul style="list-style-type: none"> • 1 channel • Activation sources: 30 • Transfer modes: 2 (normal mode, repeat mode)
Timer	Timer RA	8 bits \times 1 (with 8-bit prescaler) Timer mode (period timer), pulse output mode (output level inverted every period), event counter mode, pulse width measurement mode, pulse period measurement mode
	Timer RB	8 bits \times 1 (with 8-bit prescaler) Timer mode (period timer), programmable waveform generation mode (PWM output), programmable one-shot generation mode, programmable wait one-shot generation mode
	Timer RC	16 bits \times 1 (with 4 capture/compare registers) Timer mode (input capture function, output compare function), PWM mode (output 3 pins), PWM2 mode (PWM output pin)
	Timer RF	16 bits \times 1 Input capture mode (input $\times 1$) Output compare mode (output $\times 4$)
Serial Interface	UART0, UART1, UART3	Clock synchronous serial I/O/UART $\times 3$ channel
	UART2	Clock synchronous serial I/O, UART, multiprocessor communication function
Synchronous Serial Communication Unit (SSU)		1 (shared with I ² C bus)

Table 1.3 Specifications for R8C/34U Group, R8C/34K Group (2)

Item	Function	Specification
I ² C bus		1 (shared with SSU)
LIN Module		Hardware LIN: 1 (timer RA, UART0)
USB Functions	R8C/34U Group	<ul style="list-style-type: none"> • USB 2.0 specification compliant, Full speed (12 Mbps) supported • USB function controller and USB transceiver incorporated • 5 pipes provided with individual FIFO • Arbitrary EP numbers can be specified for PIPE4 to 7 • FIFO size (total 448 bytes): DCP (EP0) = 64 bytes, PIPE4 and PIPE5 = 128 bytes (64-byte double buffer), PIPE6 and PIPE7 = 64 bytes • Supported transfer: DCP = Control transfer IN/OUT, PIPE4 and PIPE5 = Bulk transfer IN/OUT, PIPE6 and PIPE7 = Interrupt transfer IN/OUT
	R8C/34K Group	<ul style="list-style-type: none"> • USB 2.0 specification compliant, Full speed (12 Mbps) supported • USB Device Controller (UDC), transceiver for USB2.0 are incorporated, and on-chip USB transceiver • 5 pipes provided with individual FIFO • Arbitrary EP numbers can be specified for PIPE4 to 7 • USB OTG (On-The-Go) operation is possible • FIFO size (total 448 bytes): DCP (EP0) = 64 bytes, PIPE4 and PIPE5 = 128 bytes (64-byte double buffer), PIPE6 and PIPE7 = 64 bytes • Supported transfer: DCP = Control transfer IN/OUT, PIPE4 and PIPE5 = Bulk transfer IN/OUT, PIPE6 and PIPE7 = Interrupt transfer IN/OUT • When the host controller is selected Automatic scheduling for SOF and packet transmissions Programmable intervals for interrupt transfers
A/D Converter		10-bit resolution × 12 channels, includes sample and hold function, with sweep mode
Comparator B		2 circuits
Flash Memory		<ul style="list-style-type: none"> • Programming and erasure voltage: VCC = 2.7 to 5.5 V • Programming and erasure endurance: 10,000 times (data flash) 1,000 times (program ROM) • Program security: ROM code protect, ID code check • Debug functions: On-chip debug, on-board flash rewrite function • Background operation (BGO) function (data flash)
Operating Frequency/Supply Voltage		f(XIN) = 20 MHz (VCC = 2.7 to 5.5 V)(USB not used) f(XIN) = 5 MHz (VCC = 1.8 to 5.5 V)(USB not used)
Current consumption		Typ. 7.0 mA (VCC = 5.0 V, f(XIN) = 20 MHz) Typ. 3.5 mA (VCC = 3.0 V, f(XIN) = 10 MHz) Typ. 4.0 μA (VCC = 3.0 V, wait mode) Typ. 2.0 μA (VCC = 3.0 V, stop mode)
Operating Ambient Temperature		-20 to 85°C (N version) -40 to 85°C (D version)
Package		48-pin LQFP Package code: PLQP0048KB-A (previous code: 48P6Q-A)

1.2 Product List

Table 1.4 and Table 1.5 list Product List for Each Group. Figure 1.1 and Figure 1.2 show Part Number, Memory Size, and Package of Each Group.

Table 1.4 Product List for R8C/34U Group **Current of Jun 2011**

Part No.	ROM Capacity		RAM Capacity	Package Type	Remarks	
	Program ROM	Data flash				
R5F21346UNFP	32 Kbytes	1 Kbyte × 4	4 Kbytes	PLQP0048KB-A	N version	
R5F21348UNFP	64 Kbytes	1 Kbyte × 4	8 Kbytes	PLQP0048KB-A		
R5F21346UDFP	32 Kbytes	1 Kbyte × 4	4 Kbytes	PLQP0048KB-A	D version	
R5F21348UDFP	64 Kbytes	1 Kbyte × 4	8 Kbytes	PLQP0048KB-A		
R5F21346UNXXXFP	32 Kbytes	1 Kbyte × 4	4 Kbytes	PLQP0048KB-A	N version	Factory programming product (1)
R5F21348UNXXXFP	64 Kbytes	1 Kbyte × 4	8 Kbytes	PLQP0048KB-A		
R5F21346UDXXXFP	32 Kbytes	1 Kbyte × 4	4 Kbytes	PLQP0048KB-A	D version	
R5F21348UDXXXFP	64 Kbytes	1 Kbyte × 4	8 Kbytes	PLQP0048KB-A		

Note:

1. The user ROM is programmed before shipment.

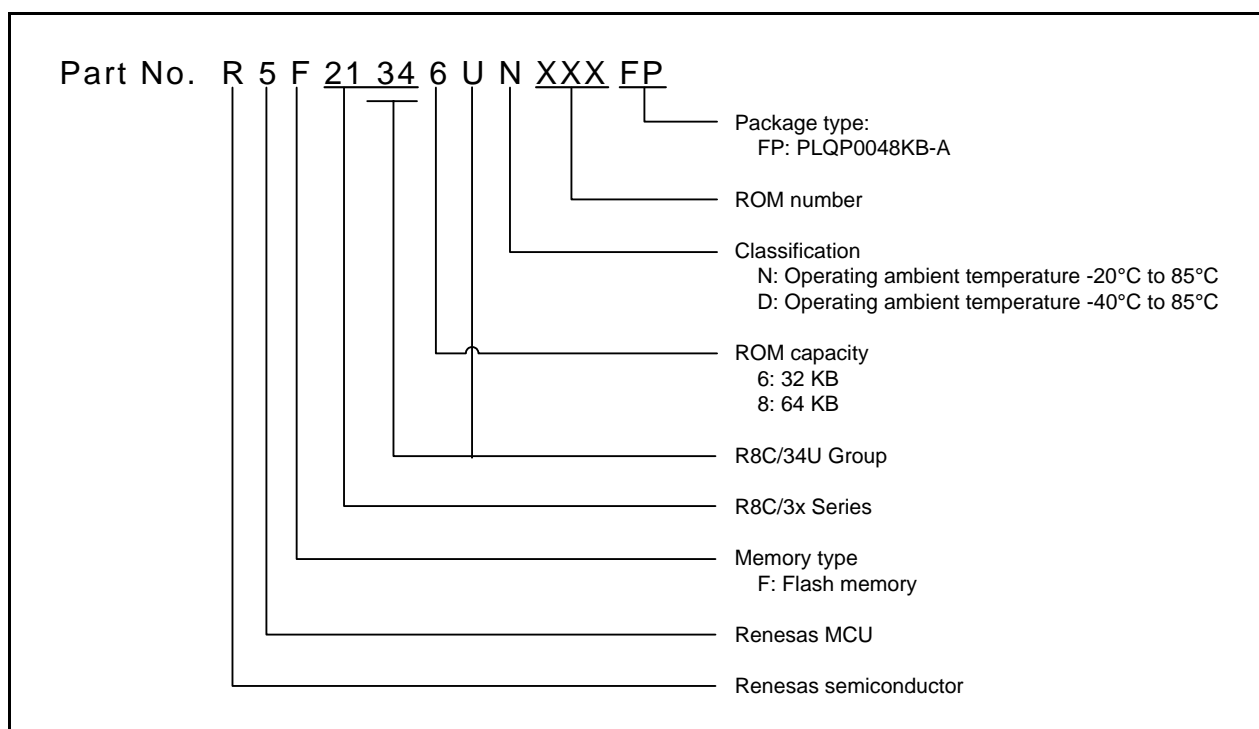


Figure 1.1 Part Number, Memory Size, and Package of R8C/34U Group

Table 1.5 Product List for R8C/34K Group

Current of Jun 2011

Part No.	ROM Capacity		RAM Capacity	Package Type	Remarks	
	Program ROM	Data flash				
R5F21348KNFP	64 Kbytes	1 Kbyte × 4	8 Kbytes	PLQP0048KB-A	N version	
R5F2134CKNFP	128Kbytes	1 Kbyte × 4	10 Kbytes	PLQP0048KB-A		
R5F21348KDFP	64 Kbytes	1 Kbyte × 4	8 Kbytes	PLQP0048KB-A	D version	
R5F2134CKDFP	128Kbytes	1 Kbyte × 4	10 Kbytes	PLQP0048KB-A		
R5F21348KNXXXFP	64 Kbytes	1 Kbyte × 4	8 Kbytes	PLQP0048KB-A	N version	Factory programming product (1)
R5F2134CKNXXXFP	128Kbytes	1 Kbyte × 4	10 Kbytes	PLQP0048KB-A		
R5F21348KDXXXFP	64 Kbytes	1 Kbyte × 4	8 Kbytes	PLQP0048KB-A	D version	
R5F2134CKDXXXFP	128Kbytes	1 Kbyte × 4	10 Kbytes	PLQP0048KB-A		

Note:

1. The user ROM is programmed before shipment.

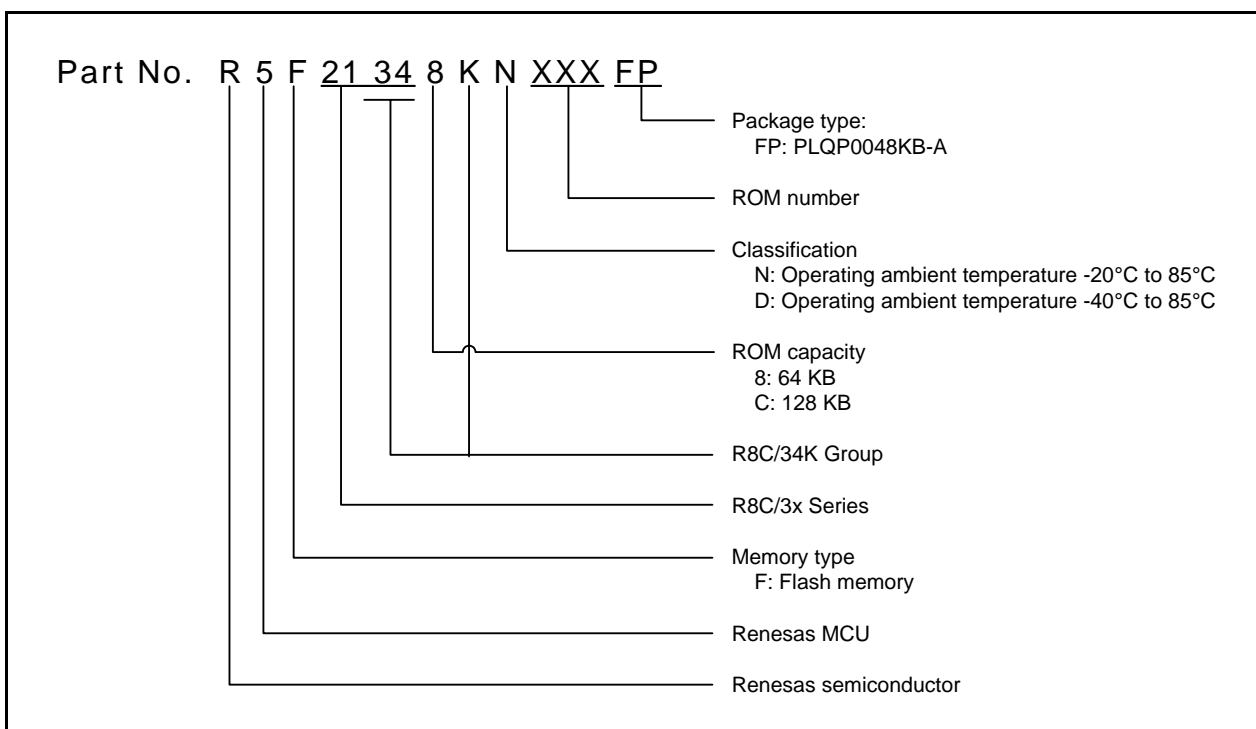


Figure 1.2 Part Number, Memory Size, and Package of R8C/34K Group

1.3 Block Diagram

Figure 1.3 and Figure 1.4 show a Block Diagram of Each Group.

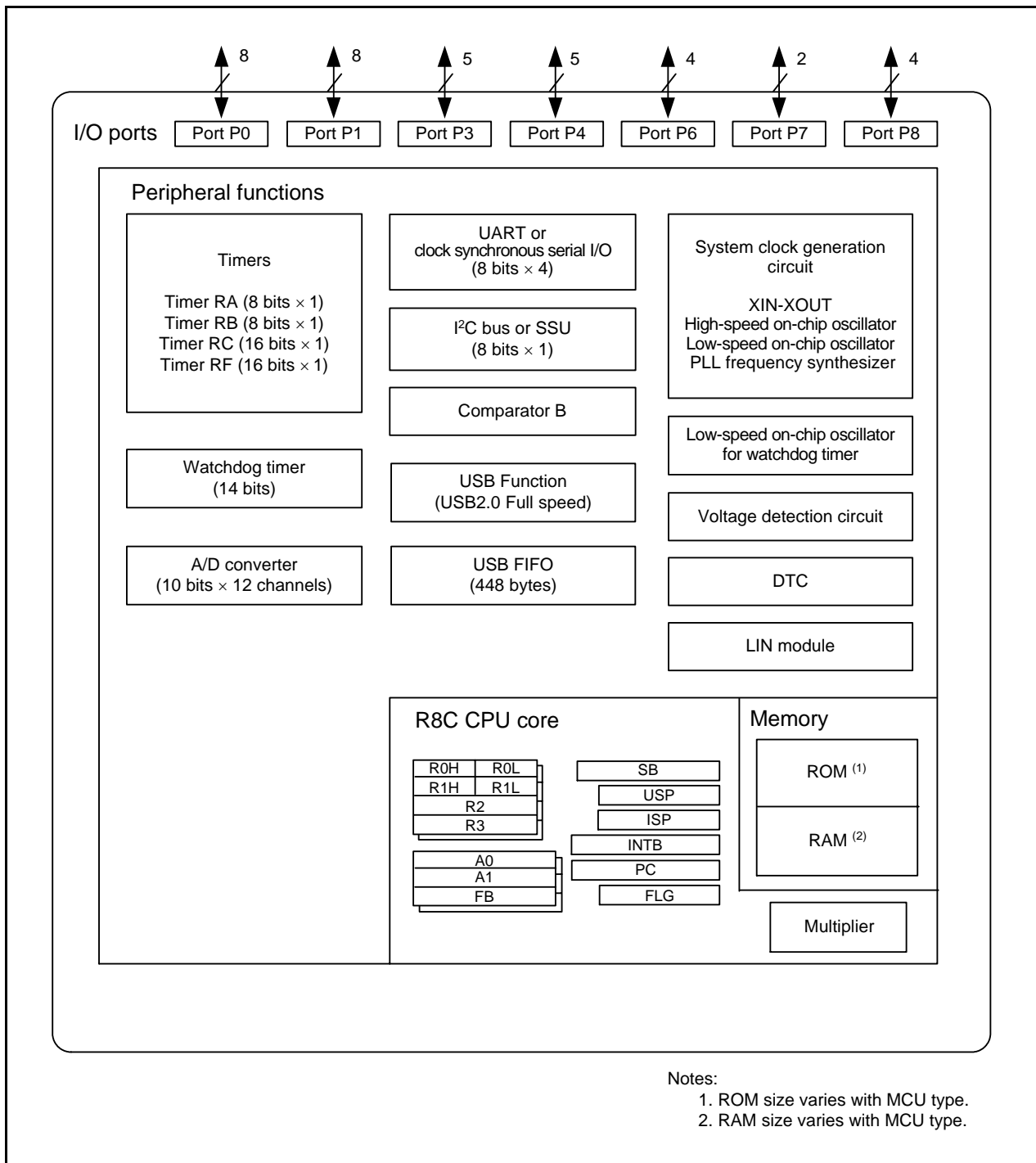


Figure 1.3 Block Diagram of R8C/34U Group

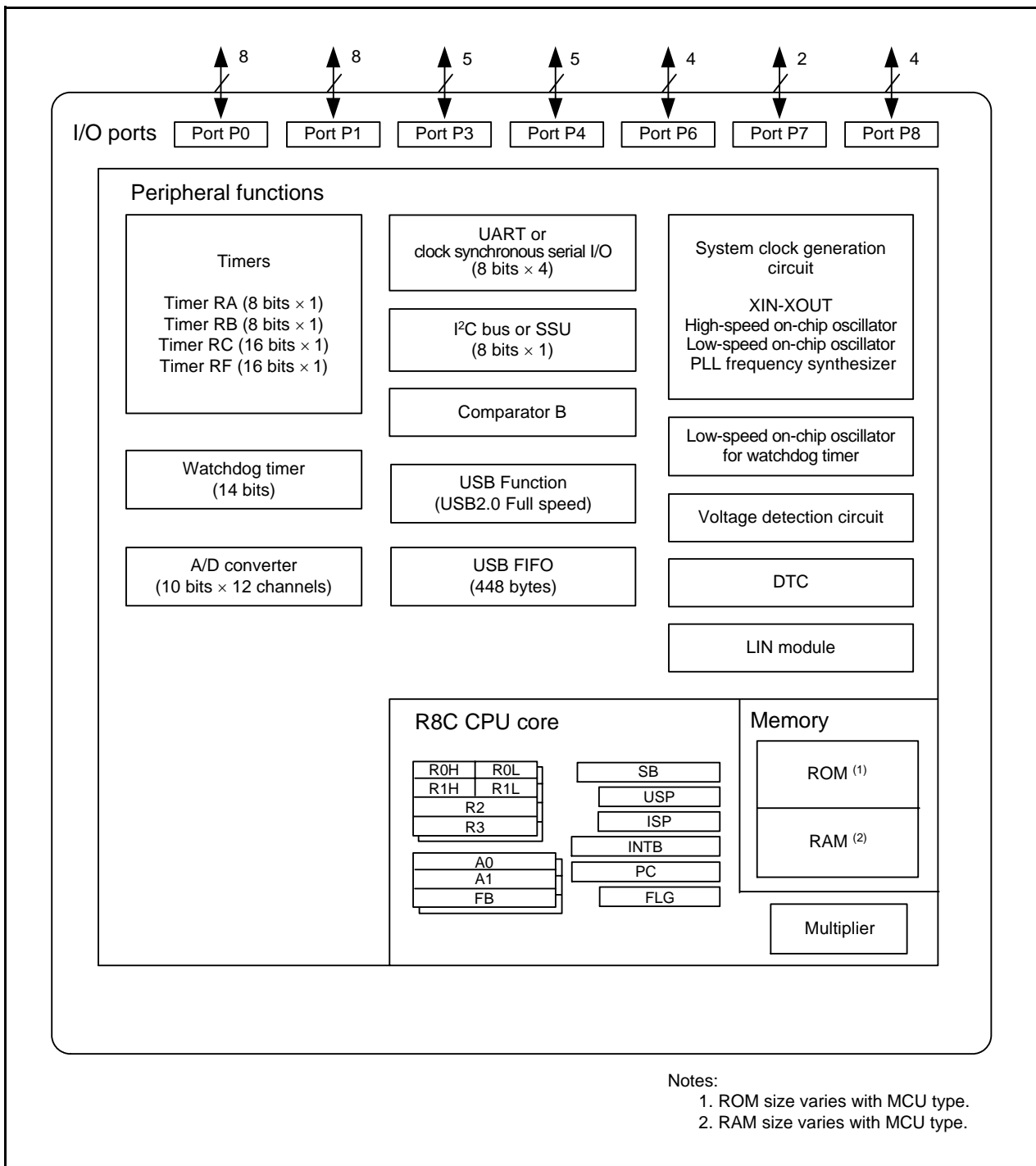


Figure 1.4 Block Diagram of R8C/34K Group

1.4 Pin Assignment

Figure 1.5 and Figure 1.6 show Pin Assignment (Top View) of Each Group. Tables 1.6 and 1.7 outline the Pin Name Information by Pin Number.

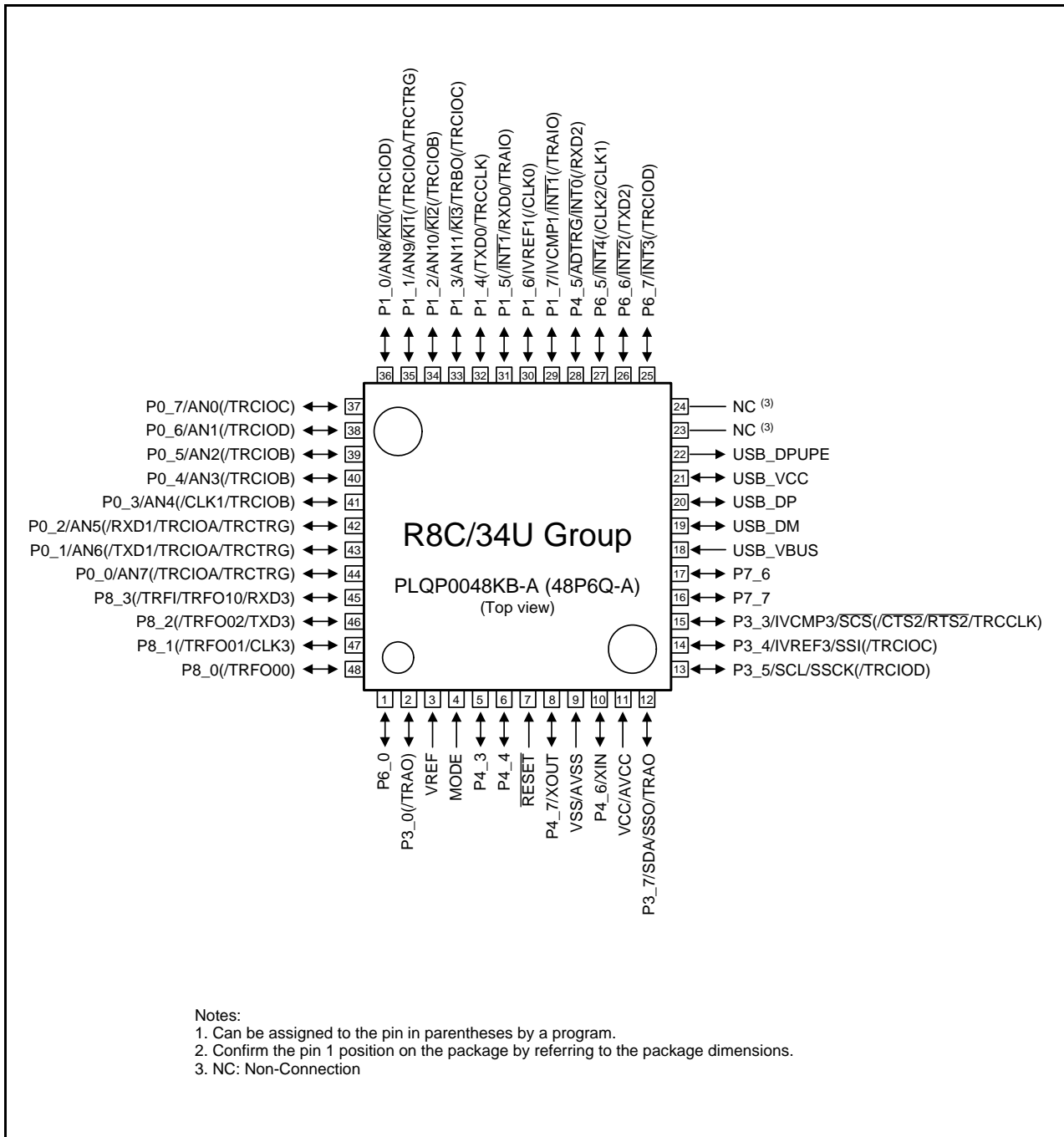


Figure 1.5 Pin Assignment (Top View) of R8C/34U Group

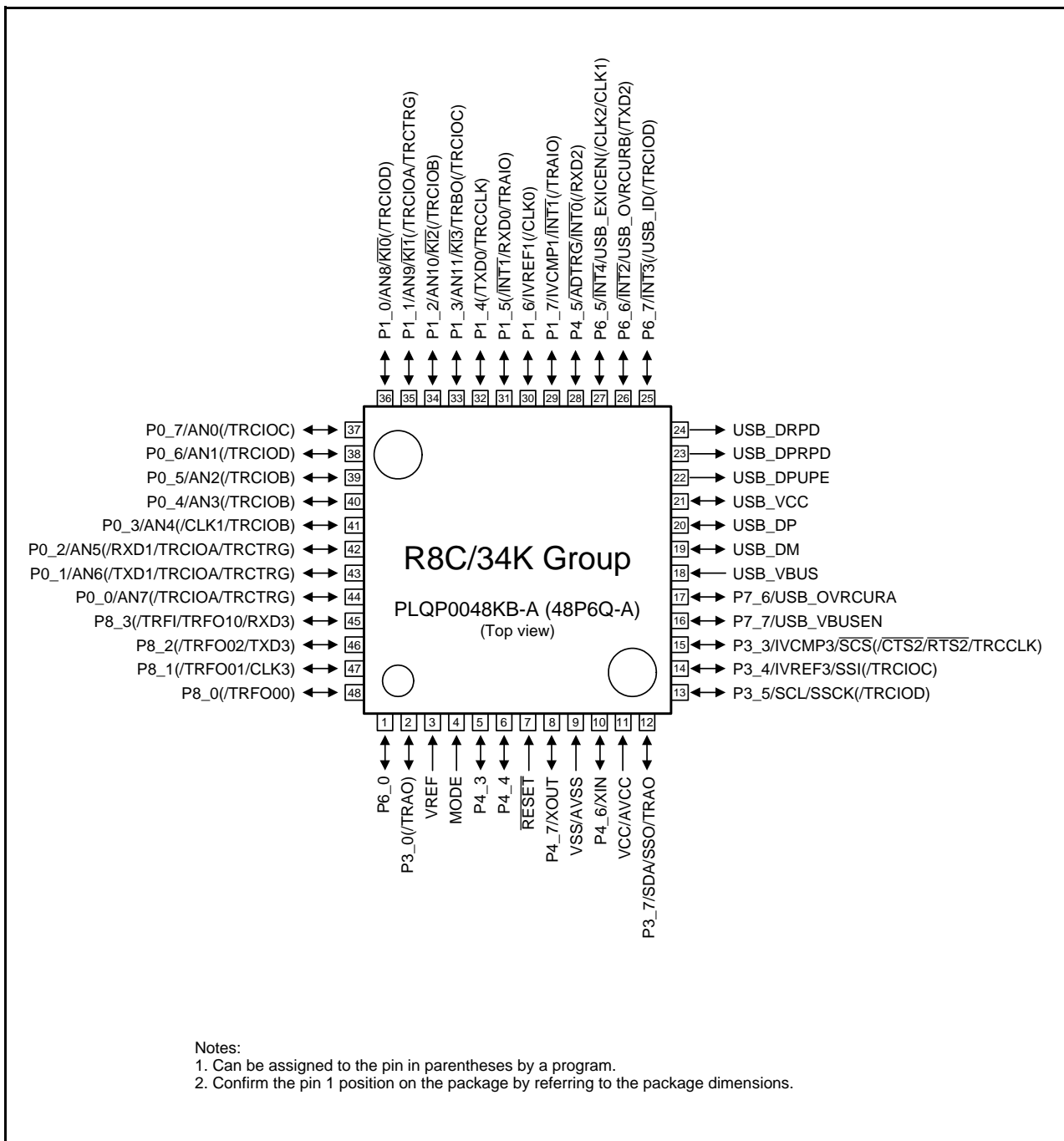


Figure 1.6 Pin Assignment (Top View) of R8C/34K Group

Table 1.6 Pin Name Information by Pin Number (1)

Pin Number	Control Pin	Port	I/O Pin Functions for Peripheral Modules						
			Interrupt	Timer	Serial Interface	SSU	I ² C bus	USB	A/D Converter, Comparator B
1		P6_0							
2		P3_0		(TRA0)					
3									VREF
4	MODE								
5		P4_3							
6		P4_4							
7	RESET								
8	XOUT	P4_7							
9	VSS/AVSS								
10	XIN	P4_6							
11	VCC/AVCC								
12		P3_7		TRA0		SSO	SDA		
13		P3_5		(TRCIOD)		SSCK	SCL		
14		P3_4		(TRCIOC)		SSI			IVREF3
15		P3_3		(TRCCLK)	(CTS2/RTS2)	SCS			IVCMP3
16		P7_7						USB_VBUSEN ⁽²⁾	
17		P7_6						USB_OVRCURA ⁽²⁾	
18								USB_VBUS	
19								USB_DM	
20								USB_DP	
21								USB_VCC	
22								USB_DPUPE	
23								USB_DPRPD ⁽²⁾	
24								USB_DRPD ⁽²⁾	
25		P6_7	$\overline{\text{INT3}}$	(TRCIOD)				USB_ID ⁽²⁾	
26		P6_6	$\overline{\text{INT2}}$		(TXD2)			USB_OVRCURB ⁽²⁾	
27		P6_5	$\overline{\text{INT4}}$		(CLK2/CLK1)			USB_EXICEN ⁽²⁾	
28		P4_5	$\overline{\text{INT0}}$		(RXD2)				ADTRG
29		P1_7	$\overline{\text{INT1}}$	(TRAIO)					IVCMP1
30		P1_6			(CLK0)				IVREF1
31		P1_5	$\overline{(\text{INT1})}$	(TRAIO)	(RXD0)				
32		P1_4		(TRCCLK)	(TXD0)				
33		P1_3	$\overline{\text{KI3}}$	TRBO (/TRCIOC)					AN11
34		P1_2	$\overline{\text{KI2}}$	(TRCIOB)					AN10
35		P1_1	$\overline{\text{KI1}}$	(TRCIOA/ TRCTRG)					AN9
36		P1_0	$\overline{\text{KI0}}$	(TRCIOD)					AN8
37		P0_7		(TRCIOC)					AN0
38		P0_6		(TRCIOD)					AN1
39		P0_5		(TRCIOB)					AN2
40		P0_4		(TRCIOB)					AN3

Notes:

1. Can be assigned to the pin in parentheses by a program.
2. This pin is not available in the R8C/34U Group.

Table 1.7 Pin Name Information by Pin Number (2)

Pin Number	Control Pin	Port	I/O Pin Functions for Peripheral Modules						
			Interrupt	Timer	Serial Interface	SSU	I ² C bus	USB	A/D Converter, Comparator B
41		P0_3		(TRCIOB)	(CLK1)				AN4
42		P0_2		(TRCIOA/ TRCTRG)	(RXD1)				AN5
43		P0_1		(TRCIOA/ TRCTRG)	(TXD1)				AN6
44		P0_0		(TRCIOA/ TRCTRG)					AN7
45		P8_3		(TRFO10/ TRFI)	(RXD3)				
46		P8_2		(TRFO02)	(TXD3)				
47		P8_1		(TRFO01)	(CLK3)				
48		P8_0		(TRFO00)					

Note:

1. Can be assigned to the pin in parentheses by a program.

1.5 Pin Functions

Tables 1.8 and 1.9 list Pin Functions.

Table 1.8 Pin Functions (1)

Item	Pin Name	I/O Type	Description
Power supply input	VCC, VSS	—	Apply 1.8 to 5.5 V to the VCC pin. Apply 0 V to the VSS pin.
Analog power supply input	AVCC, AVSS	—	Power supply for the A/D converter. Connect a capacitor between AVCC and AVSS.
Reset input	$\overline{\text{RESET}}$	I	Input "L" on this pin resets the MCU.
MODE	MODE	I	Connect this pin to VCC via a resistor.
XIN clock input	XIN	I	These pins are provided for XIN clock generation circuit I/O. Connect a ceramic resonator or a crystal oscillator between the XIN and XOUT pins. ⁽¹⁾ To use an external clock, input it to the XOUT pin and leave the XIN pin open.
XIN clock output	XOUT	I/O	
$\overline{\text{INT}}$ interrupt input	$\overline{\text{INT0}}$ to $\overline{\text{INT4}}$	I	$\overline{\text{INT}}$ interrupt input pins.
Key input interrupt	$\overline{\text{KI0}}$ to $\overline{\text{KI3}}$	I	Key input interrupt input pins.
Timer RA	TRAIO	I/O	Timer RA I/O pin.
	TRAO	O	Timer RA output pin.
Timer RB	TRBO	O	Timer RB output pin.
Timer RC	TRCCLK	I	External clock input pin.
	TRCTR $\overline{\text{G}}$	I	External trigger input pin.
	TRCIOA, TRCIOB, TRCIO $\overline{\text{C}}$, TRCIOD	I/O	Timer RC I/O pins.
Timer RF	TRFI	I	Timer RF input pins.
	TRFO00, TRFO10, TRFO01, TRFO02	O	Timer RF output pins.
Serial interface	CLK0, CLK1, CLK2, CLK3	I/O	Transfer clock I/O pins.
	RXD0, RXD1, RXD2, RXD3	I	Serial data input pins.
	TXD0, TXD1, TXD2, TXD3	O	Serial data output pins.
	$\overline{\text{CTS2}}$	I	Transmission control input pin.
	$\overline{\text{RTS2}}$	O	Reception control output pin.
SSU	SSI	I/O	Data I/O pin.
	$\overline{\text{SCS}}$	I/O	Chip-select signal I/O pin.
	SSCK	I/O	Clock I/O pin.
	SSO	I/O	Data I/O pin.
I ² C bus	SCL	I/O	Clock I/O pin.
	SDA	I/O	Data I/O pin.

I: Input O: Output I/O: Input and output

Note:

1. Refer to the oscillator manufacturer for oscillation characteristics.

Table 1.9 Pin Functions (2)

Item	Pin Name	I/O Type	Description
USB	USB_DP/USB_DM	I/O	D+/D- I/O pins of the USB on-chip transceiver. Connect these pins to the D+/D- pin of the USB bus.
	USB_VBUS	I	USB cable connection monitor pin. Connect this pin to VBUS of the USB bus. Whether VBUS is connected or disconnected can be detected during operation as a function.
	USB_VBUSEN (1)	O	VBUS (5 V) supply enable signal for external power supply chip.
	USB_OVRCURA (1)/ USB_OVRCURB (1)	I	External overcurrent detection signal should be connected to these pins. VBUS comparator signals should be connected to these pins when the USB host power supply chip is connected.
	USB_DPUPE	O	1.5 kΩ pull-up resistor control signal for USB D+ signal when operating as a function controller.
	USB_VCC	I/O	USB power supply pin.
	USB_DPRPD (1)/ USB_DRPD (1)	O	15 kΩ pull-down resistor control signals for USB D+ and D- signals when operating as a host.
	USB_ID (1)	I	ID input signal for microAB connector should be connected when operating on OTG.
	USB_EXICEN (1)	O	Low-power control signal for external power supply (OTG) chip. Connect this pin to the OTG power supply IC to be connected externally.
Reference voltage input	VREF	I	Reference voltage input pin to A/D converter.
A/D converter	AN0 to AN11	I	Analog input pins to A/D converter.
	ADTRG	I	AD external trigger input pin.
Comparator B	IVCMP1, IVCMP3	I	Comparator B analog voltage input pins.
	IVREF1, IVREF3	I	Comparator B reference voltage input pins.
I/O port	P0_0 to P0_7, P1_0 to P1_7, P3_0, P3_3 to P3_5, P3_7, P4_3 to P4_7, P6_0, P6_5 to P6_7, P7_6, P7_7, P8_0 to P8_3	I/O	CMOS I/O ports. Each port has an I/O select direction register, allowing each pin in the port to be directed for input or output individually. Any port set to input can be set to use a pull-up resistor or not by a program.

I: Input O: Output I/O: Input and output

Note:

1. This pin is not available in the R8C/34U Group.

2. Central Processing Unit (CPU)

Figure 2.1 shows the CPU Registers. The CPU contains 13 registers. R0, R1, R2, R3, A0, A1, and FB configure a register bank. There are two sets of register bank.

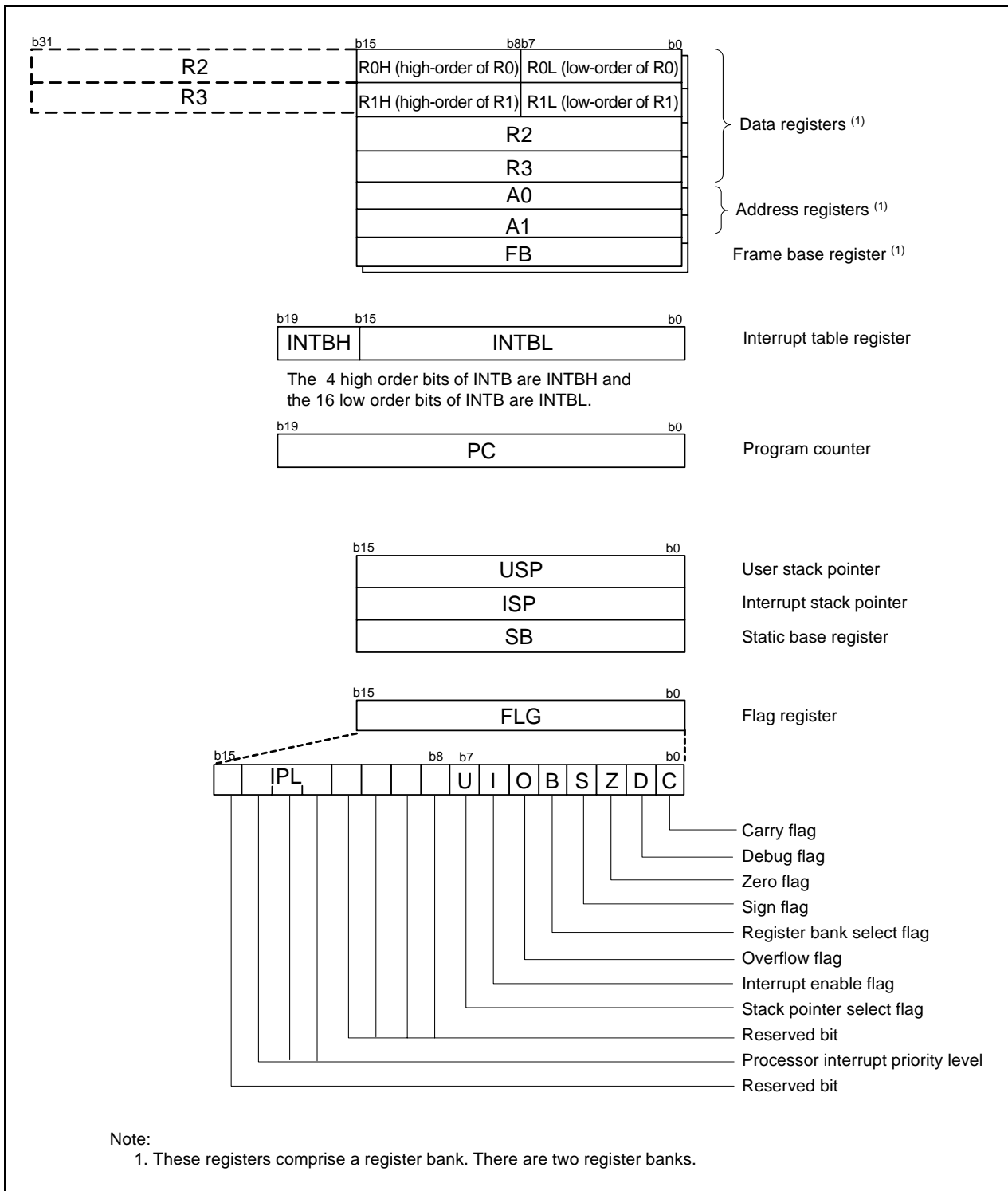


Figure 2.1 CPU Registers

2.1 Data Registers (R0, R1, R2, and R3)

R0 is a 16-bit register for transfer, arithmetic, and logic operations. The same applies to R1 to R3. R0 can be split into high-order bits (R0H) and low-order bits (R0L) to be used separately as 8-bit data registers. R1H and R1L are analogous to R0H and R0L. R2 can be combined with R0 and used as a 32-bit data register (R2R0). R3R1 is analogous to R2R0.

2.2 Address Registers (A0 and A1)

A0 is a 16-bit register for address register indirect addressing and address register relative addressing. It is also used for transfer, arithmetic, and logic operations. A1 is analogous to A0. A1 can be combined with A0 and as a 32-bit address register (A1A0).

2.3 Frame Base Register (FB)

FB is a 16-bit register for FB relative addressing.

2.4 Interrupt Table Register (INTB)

INTB is a 20-bit register that indicates the starting address of an interrupt vector table.

2.5 Program Counter (PC)

PC is 20 bits wide and indicates the address of the next instruction to be executed.

2.6 User Stack Pointer (USP) and Interrupt Stack Pointer (ISP)

The stack pointers (SP), USP and ISP, are each 16 bits wide. The U flag of FLG is used to switch between USP and ISP.

2.7 Static Base Register (SB)

SB is a 16-bit register for SB relative addressing.

2.8 Flag Register (FLG)

FLG is an 11-bit register indicating the CPU state.

2.8.1 Carry Flag (C)

The C flag retains carry, borrow, or shift-out bits that have been generated by the arithmetic and logic unit.

2.8.2 Debug Flag (D)

The D flag is for debugging only. Set it to 0.

2.8.3 Zero Flag (Z)

The Z flag is set to 1 when an arithmetic operation results in 0; otherwise to 0.

2.8.4 Sign Flag (S)

The S flag is set to 1 when an arithmetic operation results in a negative value; otherwise to 0.

2.8.5 Register Bank Select Flag (B)

Register bank 0 is selected when the B flag is 0. Register bank 1 is selected when this flag is set to 1.

2.8.6 Overflow Flag (O)

The O flag is set to 1 when an operation results in an overflow; otherwise to 0.

2.8.7 Interrupt Enable Flag (I)

The I flag enables maskable interrupts.

Interrupts are disabled when the I flag is set to 0, and are enabled when the I flag is set to 1. The I flag is set to 0 when an interrupt request is acknowledged.

2.8.8 Stack Pointer Select Flag (U)

ISP is selected when the U flag is set to 0; USP is selected when the U flag is set to 1.

The U flag is set to 0 when a hardware interrupt request is acknowledged or the INT instruction of software interrupt numbers 0 to 31 is executed.

2.8.9 Processor Interrupt Priority Level (IPL)

IPL is 3 bits wide and assigns processor interrupt priority levels from level 0 to level 7.

If a requested interrupt has higher priority than IPL, the interrupt is enabled.

2.8.10 Reserved Bit

If necessary, set to 0. When read, the content is undefined.

3. Memory

3.1 R8C/34U Group

Figure 3.2 is a Memory Map of R8C/34U Group. The R8C/34U Group has a 1-Mbyte address space from addresses 00000h to FFFFFh. For example, a 64-Kbyte internal ROM area is allocated addresses 04000h to 13FFFh.

The fixed interrupt vector table is allocated addresses 0FFDCh to 0FFFFh. The starting address of each interrupt routine is stored here.

The internal ROM (data flash) is allocated addresses 03000h to 03FFFh.

The internal RAM is allocated higher addresses, beginning with address 00400h. For example, a 8-Kbyte internal RAM area is allocated addresses 00400h to 023FFh. The internal RAM is used not only for data storage but also as a stack area when a subroutine is called or when an interrupt request is acknowledged.

Special function registers (SFRs) are allocated addresses 00000h to 002FFh and 02C00h to 02FFFh (the SFR areas for the DTC and other modules). Peripheral function control registers are allocated here. All unallocated spaces within the SFRs are reserved and cannot be accessed by users.

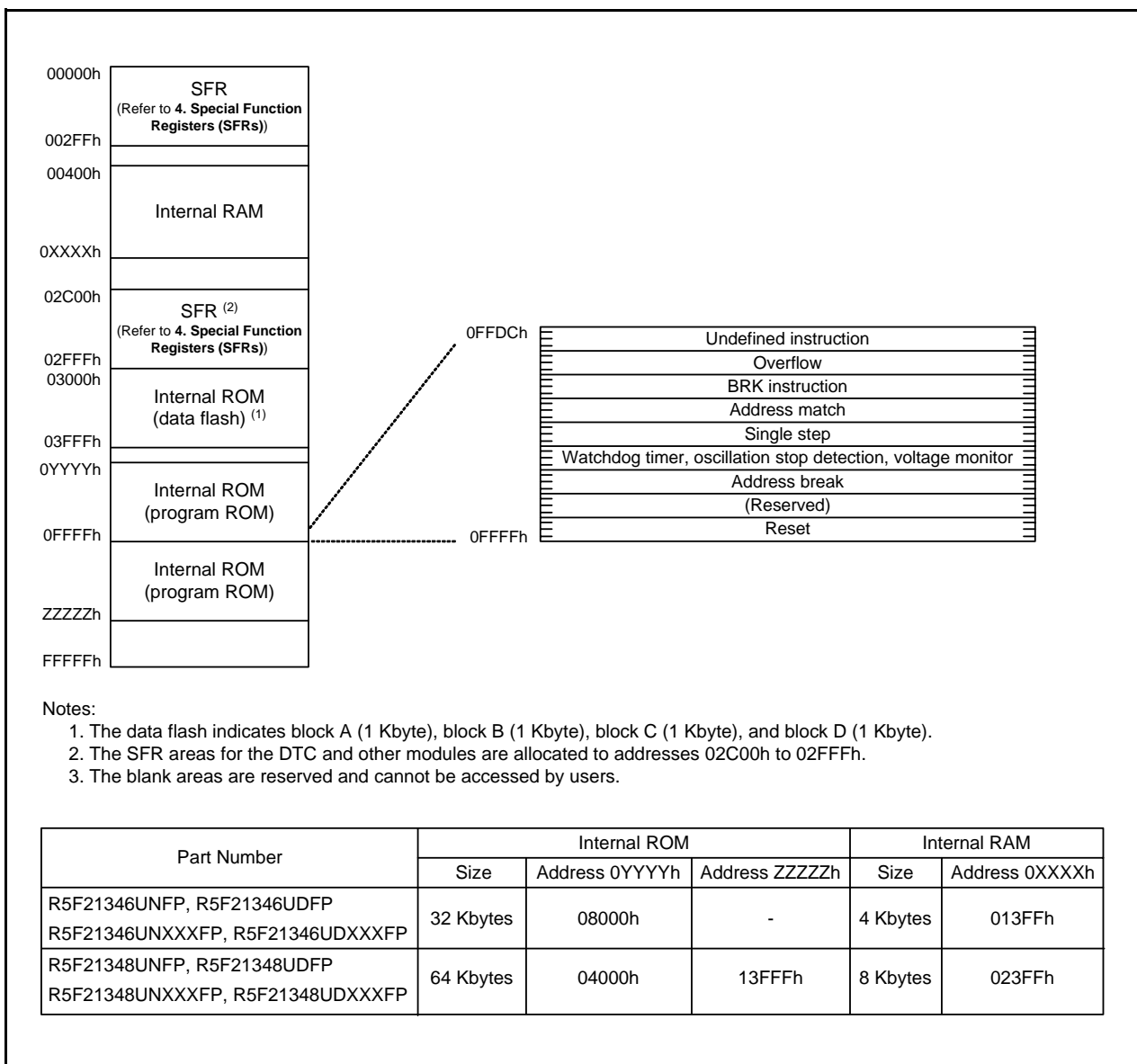


Figure 3.1 Memory Map of R8C/34U Group

3.2 R8C/34K Group

Figure 3.2 is a Memory Map of R8C/34K Group. The R8C/34K Group has a 1-Mbyte address space from addresses 00000h to FFFFFh. A 64-Kbyte internal ROM area is allocated addresses 04000h to 13FFFh.

The fixed interrupt vector table is allocated addresses 0FFDCh to 0FFFFh. The starting address of each interrupt routine is stored here.

The internal ROM (data flash) is allocated addresses 03000h to 03FFFh.

The internal RAM is allocated higher addresses, beginning with address 00400h. For example, a 8-Kbyte internal RAM area is allocated addresses 00400h to 023FFh. The internal RAM is used not only for data storage but also as a stack area when a subroutine is called or when an interrupt request is acknowledged.

Special function registers (SFRs) are allocated addresses 00000h to 002FFh and 02C00h to 02FFFh (the SFR areas for the DTC and other modules). Peripheral function control registers are allocated here. All unallocated spaces within the SFRs are reserved and cannot be accessed by users.

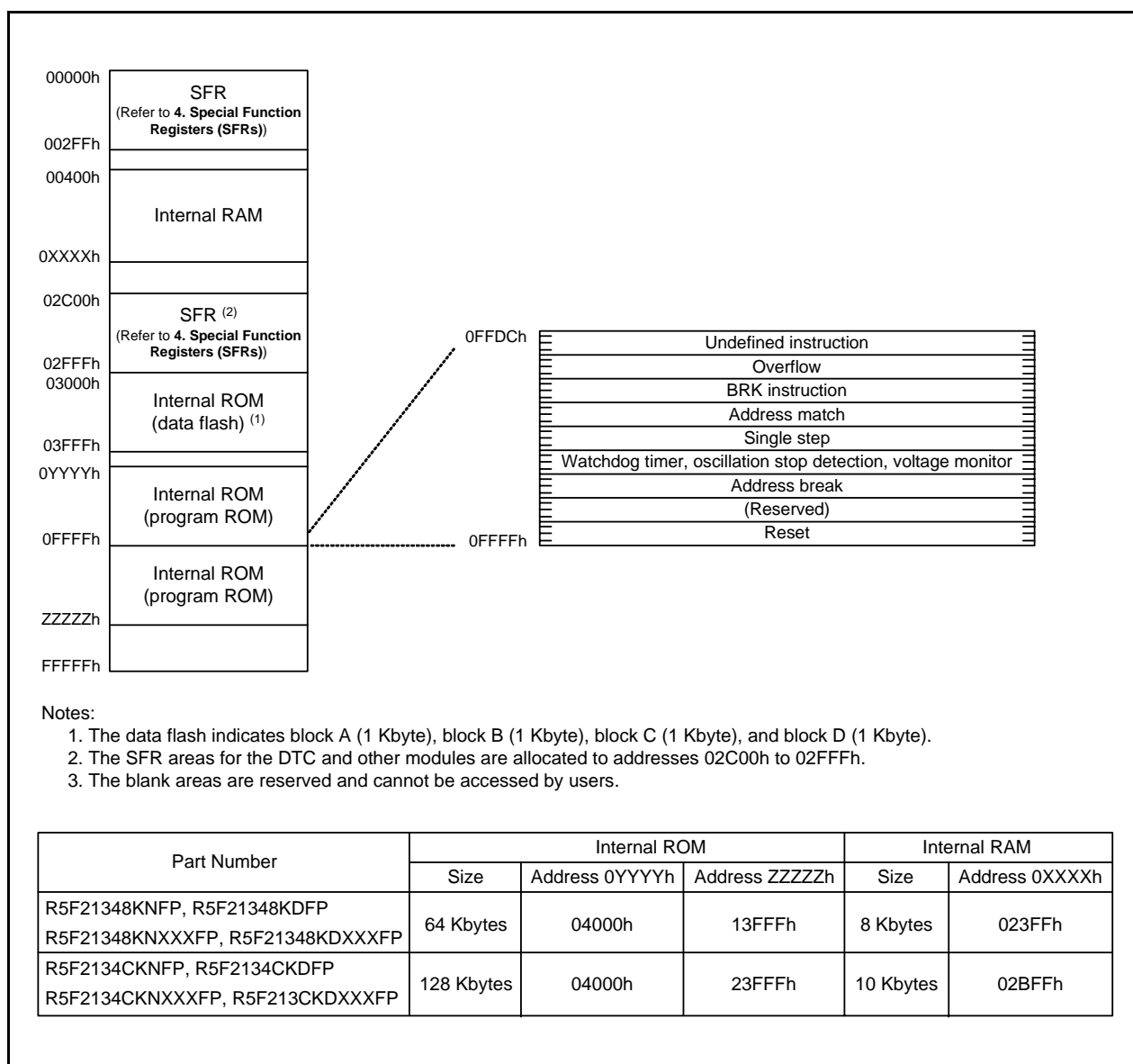


Figure 3.2 Memory Map of R8C/34K Group

4. Special Function Registers (SFRs)

An SFR (special function register) is a control register for a peripheral function. Tables 4.1 to 4.15 list the special function registers. Table 4.16 lists the ID Code Areas and Option Function Select Area.

Table 4.1 SFR Information (1) (1)

Address	Register	Symbol	After Reset
0000h			
0001h			
0002h			
0003h			
0004h	Processor Mode Register 0	PM0	00h
0005h	Processor Mode Register 1	PM1	00h
0006h	System Clock Control Register 0	CM0	00101000b
0007h	System Clock Control Register 1	CM1	00100000b
0008h	Module Standby Control Register	MSTCR	00h
0009h	System Clock Control Register 3	CM3	00h
000Ah	Protect Register	PRCR	00h
000Bh	Reset Source Determination Register	RSTFR	0XXXXXXb (2)
000Ch	Oscillation Stop Detection Register	OCD	00000100b
000Dh	Watchdog Timer Reset Register	WDTR	XXh
000Eh	Watchdog Timer Start Register	WDTS	XXh
000Fh	Watchdog Timer Control Register	WDTC	00111111b
0010h			
0011h			
0012h			
0013h			
0014h			
0015h	High-Speed On-Chip Oscillator Control Register 7	FRA7	When shipping
0016h			
0017h			
0018h			
0019h			
001Ah			
001Bh			
001Ch	Count Source Protection Mode Register	CSPR	00h 10000000b (3)
001Dh			
001Eh			
001Fh			
0020h			
0021h			
0022h			
0023h	High-Speed On-Chip Oscillator Control Register 0	FRA0	00h
0024h	High-Speed On-Chip Oscillator Control Register 1	FRA1	When shipping
0025h	High-Speed On-Chip Oscillator Control Register 2	FRA2	00h
0026h	On-Chip Reference Voltage Control Register	OCVREFCR	00h
0027h			
0028h	Clock Prescaler Reset Flag	CPSRF	00h
0029h	High-Speed On-Chip Oscillator Control Register 4	FRA4	When shipping
002Ah	High-Speed On-Chip Oscillator Control Register 5	FRA5	When shipping
002Bh	High-Speed On-Chip Oscillator Control Register 6	FRA6	When shipping
002Ch			
002Dh			
002Eh			
002Fh	High-Speed On-Chip Oscillator Control Register 3	FRA3	When shipping
0030h	Voltage Monitor Circuit Control Register	CMPA	00h
0031h	Voltage Monitor Circuit Edge Select Register	VCAC	00h
0032h			
0033h	Voltage Detect Register 1	VCA1	00001000b
0034h	Voltage Detect Register 2	VCA2	00h (4) 00100000b (5)
0035h			
0036h	Voltage Detection 1 Level Select Register	VD1LS	00000111b
0037h			
0038h	Voltage Monitor 0 Circuit Control Register	VW0C	1100X010b (4) 1100X011b (5)
0039h	Voltage Monitor 1 Circuit Control Register	VW1C	10001010b

X: Undefined

Notes:

1. The blank areas are reserved and cannot be accessed by users.
2. The CWR bit in the RSTFR register is set to 0 after power-on and voltage monitor 0 reset. Hardware reset, software reset, or watchdog timer reset does not affect this bit.
3. The CSPROINI bit in the OFS register is set to 0.
4. The LVDAS bit in the OFS register is set to 1.
5. The LVDAS bit in the OFS register is set to 0.

Table 4.2 SFR Information (2) (1)

Address	Register	Symbol	After Reset
003Ah	Voltage Monitor 2 Circuit Control Register	VW2C	1000010b
003Bh			
003Ch			
003Dh			
003Eh			
003Fh			
0040h			
0041h	Flash Memory Ready Interrupt Control Register	FMRDYIC	XXXXX000b
0042h			
0043h			
0044h			
0045h			
0046h	INT4 Interrupt Control Register	INT4IC	XX00X000b
0047h	Timer RC Interrupt Control Register	TRCIC	XXXXX000b
0048h			
0049h	USB RESUME Interrupt Control Register	USBRSMIC	XXXXX000b
004Ah			
004Bh	UART2 Transmit Interrupt Control Register	S2TIC	XXXXX000b
004Ch	UART2 Receive Interrupt Control Register	S2RIC	XXXXX000b
004Dh	Key Input Interrupt Control Register	KUPIC	XXXXX000b
004Eh	A/D Conversion Interrupt Control Register	ADIC	XXXXX000b
004Fh	SSU Interrupt Control Register/IIC bus Interrupt Control Register (2)	SSUIC/IICIC	XXXXX000b
0050h	Timer RF Compare 1 Interrupt Control Register	CMP1IC	XXXXX000b
0051h	UART0 Transmit Interrupt Control Register	S0TIC	XXXXX000b
0052h	UART0 Receive Interrupt Control Register	S0RIC	XXXXX000b
0053h	UART1 Transmit Interrupt Control Register	S1TIC	XXXXX000b
0054h	UART1 Receive Interrupt Control Register	S1RIC	XXXXX000b
0055h	INT2 Interrupt Control Register	INT2IC	XX00X000b
0056h	Timer RA Interrupt Control Register	TRAIC	XXXXX000b
0057h			
0058h	Timer RB Interrupt Control Register	TRBIC	XXXXX000b
0059h	INT1 Interrupt Control Register	INT1IC	XX00X000b
005Ah	INT3 Interrupt Control Register	INT3IC	XX00X000b
005Bh	Timer RF Interrupt Control Register	TRFIC	XXXXX000b
005Ch	Timer RF Compare 0 Interrupt Control Register	CMP0IC	XXXXX000b
005Dh	INT0 Interrupt Control Register	INT0IC	XX00X000b
005Eh	UART2 Bus Collision Detection Interrupt Control Register	U2BCNIC	XXXXX000b
005Fh	Timer RF Capture Interrupt Control Register	CAPIC	XXXXX000b
0060h			
0061h			
0062h			
0063h			
0064h			
0065h			
0066h			
0067h			
0068h			
0069h			
006Ah			
006Bh	USB INT Interrupt Control Register	USBINTIC	XXXXX000b
006Ch	UART3 Transmit Interrupt Control Register	S3RIC	XXXXX000b
006Dh	UART3 Receive Interrupt Control Register	S3TIC	XXXXX000b
006Eh			
006Fh			
0070h			
0071h			
0072h	Voltage Monitor 1 Interrupt Control Register	VCMP1IC	XXXXX000b
0073h	Voltage Monitor 2 Interrupt Control Register	VCMP2IC	XXXXX000b
0074h			
0075h			
0076h			
0077h			
0078h			
0079h			
007Ah			
007Bh			
007Ch			
007Dh			
007Eh			
007Fh			

X: Undefined

Notes:

1. The blank areas are reserved and cannot be accessed by users.
2. Selectable by the IICSEL bit in the SSUICSR register.

Table 4.3 SFR Information (3) (1)

Address	Register	Symbol	After Reset
0080h	DTC Activation Control Register	DTCTL	00h
0081h			
0082h			
0083h			
0084h			
0085h			
0086h			
0087h			
0088h	DTC Activation Enable Register 0	DTCEN0	00h
0089h	DTC Activation Enable Register 1	DTCEN1	00h
008Ah	DTC Activation Enable Register 2	DTCEN2	00h
008Bh	DTC Activation Enable Register 3	DTCEN3	00h
008Ch			
008Dh	DTC Activation Enable Register 5	DTCEN5	00h
008Eh	DTC Activation Enable Register 6	DTCEN6	00h
008Fh			
0090h	Timer RF Register	TRF	00h
0091h			00h
0092h			
0093h			
0094h			
0095h			
0096h			
0097h			
0098h			
0099h			
009Ah	Timer RF Control Register 0	TRFCR0	00h
009Bh	Timer RF Control Register 1	TRFCR1	00h
009Ch	Capture and Compare 0 Register	TRFM0	00h
009Dh			00h
009Eh	Compare 1 Register	TRFM1	FFh
009Fh			FFh
00A0h	UART0 Transmit/Receive Mode Register	U0MR	00h
00A1h	UART0 Bit Rate Register	U0BRG	XXh
00A2h	UART0 Transmit Buffer Register	U0TB	XXh
00A3h			XXh
00A4h	UART0 Transmit/Receive Control Register 0	U0C0	00001000b
00A5h	UART0 Transmit/Receive Control Register 1	U0C1	00000010b
00A6h	UART0 Receive Buffer Register	U0RB	XXh
00A7h			XXh
00A8h			XXh
00A9h	UART2 Transmit/Receive Mode Register	U2MR	00h
00AAh	UART2 Bit Rate Register	U2BRG	XXh
00ABh	UART2 Transmit Buffer Register	U2TB	XXh
00ABh			XXh
00ACh	UART2 Transmit/Receive Control Register 0	U2C0	00001000b
00ADh	UART2 Transmit/Receive Control Register 1	U2C1	00000010b
00AEh	UART2 Receive Buffer Register	U2RB	XXh
00AFh			XXh
00AFh			XXh
00B0h	UART2 Digital Filter Function Select Register	URXDF	00h
00B1h			
00B2h			
00B3h			
00B4h			
00B5h			
00B6h			
00B7h			
00B8h			
00B9h			
00BAh			
00BBh	UART2 Special Mode Register 5	U2SMR5	00h
00BCh			
00BDh	UART2 Special Mode Register 3	U2SMR3	000X0X0Xb
00BEh			
00BFh			

X: Undefined

Note:

1. The blank areas are reserved and cannot be accessed by users.

Table 4.4 SFR Information (4) (1)

Address	Register	Symbol	After Reset
00C0h	A/D Register 0	AD0	XXh
00C1h			000000XXb
00C2h	A/D Register 1	AD1	XXh
00C3h			000000XXb
00C4h	A/D Register 2	AD2	XXh
00C5h			000000XXb
00C6h	A/D Register 3	AD3	XXh
00C7h			000000XXb
00C8h	A/D Register 4	AD4	XXh
00C9h			000000XXb
00CAh	A/D Register 5	AD5	XXh
00CBh			000000XXb
00CCh	A/D Register 6	AD6	XXh
00CDh			000000XXb
00CEh	A/D Register 7	AD7	XXh
00CFh			000000XXb
00D0h			
00D1h			
00D2h			
00D3h			
00D4h	A/D Mode Register	ADM0D	00h
00D5h	A/D Input Select Register	ADINSEL	11000000b
00D6h	A/D Control Register 0	ADCON0	00h
00D7h	A/D Control Register 1	ADCON1	00h
00D8h			
00D9h			
00DAh			
00DBh			
00DCh			
00DDh			
00DEh			
00DFh			
00E0h	Port P0 Register	P0	XXh
00E1h	Port P1 Register	P1	XXh
00E2h	Port P0 Direction Register	PD0	00h
00E3h	Port P1 Direction Register	PD1	00h
00E4h			
00E5h	Port P3 Register	P3	XXh
00E6h			
00E7h	Port P3 Direction Register	PD3	00h
00E8h	Port P4 Register	P4	XXh
00E9h			
00EAh	Port P4 Direction Register	PD4	00h
00EBh			
00ECh	Port P6 Register	P6	XXh
00EDh	Port P7 Register	P7	XXh
00EEh	Port P6 Direction Register	PD6	00h
00EFh	Port P7 Direction Register	PD7	00h
00F0h	Port P8 Register	P8	XXh
00F1h			
00F2h	Port P8 Direction Register	PD8	00h
00F3h			
00F4h			
00F5h			
00F6h			
00F7h			
00F8h			
00F9h			
00FAh			
00FBh			
00FCh			
00FDh			
00FEh			
00FFh			

X: Undefined

Note:

1. The blank areas are reserved and cannot be accessed by users.

Table 4.5 SFR Information (5) (1)

Address	Register	Symbol	After Reset
0100h	Timer RA Control Register	TRACR	00h
0101h	Timer RA I/O Control Register	TRAIOC	00h
0102h	Timer RA Mode Register	TRAMR	00h
0103h	Timer RA Prescaler Register	TRAPRE	FFh
0104h	Timer RA Register	TRA	FFh
0105h	LIN Control Register 2	LINCR2	00h
0106h	LIN Control Register	LINCR	00h
0107h	LIN Status Register	LINST	00h
0108h	Timer RB Control Register	TRBCR	00h
0109h	Timer RB One-Shot Control Register	TRBOCR	00h
010Ah	Timer RB I/O Control Register	TRBIOC	00h
010Bh	Timer RB Mode Register	TRBMR	00h
010Ch	Timer RB Prescaler Register	TRBPRES	FFh
010Dh	Timer RB Secondary Register	TRBSC	FFh
010Eh	Timer RB Primary Register	TRBPR	FFh
010Fh			
0110h			
0111h			
0112h			
0113h			
0114h			
0115h			
0116h			
0117h			
0118h			
0119h			
011Ah			
011Bh			
011Ch			
011Dh			
011Eh			
011Fh			
0120h	Timer RC Mode Register	TRCMR	01001000b
0121h	Timer RC Control Register 1	TRCCR1	00h
0122h	Timer RC Interrupt Enable Register	TRCIER	01110000b
0123h	Timer RC Status Register	TRCSR	01110000b
0124h	Timer RC I/O Control Register 0	TRCIOR0	10001000b
0125h	Timer RC I/O Control Register 1	TRCIOR1	10001000b
0126h	Timer RC Counter	TRC	00h
0127h			00h
0128h	Timer RC General Register A	TRCGRA	FFh
0129h			FFh
012Ah	Timer RC General Register B	TRCGRB	FFh
012Bh			FFh
012Ch	Timer RC General Register C	TRCGRC	FFh
012Dh			FFh
012Eh	Timer RC General Register D	TRCGRD	FFh
012Fh			FFh
0130h	Timer RC Control Register 2	TRCCR2	00011000b
0131h	Timer RC Digital Filter Function Select Register	TRCDF	00h
0132h	Timer RC Output Master Enable Register	TRCOER	01111111b
0133h	Timer RC Trigger Control Register	TRCADCR	00h
0134h			
0135h			
0136h			
0137h			
0138h			
0139h			
013Ah			
013Bh			
013Ch			
013Dh			
013Eh			
013Fh			

Note:

1. The blank areas are reserved and cannot be accessed by users.

Table 4.6 SFR Information (6) (1)

Address	Register	Symbol	After Reset
0140h			
0141h			
0142h			
0143h			
0144h			
0145h			
0146h			
0147h			
0148h			
0149h			
014Ah			
014Bh			
014Ch			
014Dh			
014Eh			
014Fh			
0150h			
0151h			
0152h			
0153h			
0154h			
0155h			
0156h			
0157h			
0158h			
0159h			
015Ah			
015Bh			
015Ch			
015Dh			
015Eh			
015Fh			
0160h	UART1 Transmit/Receive Mode Register	U1MR	00h
0161h	UART1 Bit Rate Register	U1BRG	XXh
0162h	UART1 Transmit Buffer Register	U1TB	XXh
0163h			XXh
0164h	UART1 Transmit/Receive Control Register 0	U1C0	00001000b
0165h	UART1 Transmit/Receive Control Register 1	U1C1	00000010b
0166h	UART1 Receive Buffer Register	U1RB	XXh
0167h			XXh
0168h	UART3 Transmit/Receive Mode Register	U3MR	00h
0169h	UART3 Bit Rate Register	U3BRG	XXh
016Ah	UART3 Transmit Buffer Register	U3TB	XXh
016Bh			XXh
016Ch	UART3 Transmit/Receive Control Register 0	U3C0	00001000b
016Dh	UART3 Transmit/Receive Control Register 1	U3C1	00000010b
016Eh	UART3 Receive Buffer Register	U3RB	XXh
016Fh			XXh
0170h			
0171h			
0172h			
0173h			
0174h			
0175h			
0176h			
0177h			
0178h			
0179h			
017Ah			
017Bh			
017Ch			
017Dh			
017Eh			
017Fh			

X: Undefined

Note:

1. The blank areas are reserved and cannot be accessed by users.

Table 4.7 SFR Information (7) (1)

Address	Register	Symbol	After Reset
0180h	Timer RA Pin Select Register	TRASR	00h
0181h	Timer RC Pin Select Register	TRBRCR	00h
0182h	Timer RC Pin Select Register 0	TRCPSR0	00h
0183h	Timer RC Pin Select Register 1	TRCPSR1	00h
0184h			
0185h			
0186h	Timer Pin Select Register	TIMSR	00h
0187h	Timer RF Output Control Register	TRFOUT	00h
0188h	UART0 Pin Select Register	U0SR	00h
0189h	UART1 Pin Select Register	U1SR	00h
018Ah	UART2 Pin Select Register 0	U2SR0	00h
018Bh	UART2 Pin Select Register 1	U2SR1	00h
018Ch	SSU/IIC Pin Select Register	SSUICSR	00h
018Dh			
018Eh	INT Interrupt Input Pin Select Register	INTSR	00h
018Fh	I/O Function Pin Select Register	PINSR	00h
0190h			
0191h			
0192h			
0193h	SS Bit Counter Register	SSBR	11111000b
0194h	SS Transmit Data Register L / IIC bus Transmit Data Register (2)	SSTDR / ICDRT	FFh
0195h	SS Transmit Data Register H (2)	SSTDRH	FFh
0196h	SS Receive Data Register L / IIC bus Receive Data Register (2)	SSRDR / ICDRR	FFh
0197h	SS Receive Data Register H (2)	SSRDRH	FFh
0198h	SS Control Register H / IIC bus Control Register 1 (2)	SSCRH / ICCR1	00h
0199h	SS Control Register L / IIC bus Control Register 2 (2)	SSCRL / ICCR2	01111101b
019Ah	SS Mode Register / IIC bus Mode Register (2)	SSMR / ICMR	00010000b / 00011000b
019Bh	SS Enable Register / IIC bus Interrupt Enable Register (2)	SSER / ICIER	00h
019Ch	SS Status Register / IIC bus Status Register (2)	SSSR / ICSR	00h / 0000X000b
019Dh	SS Mode Register 2 / Slave Address Register (2)	SSMR2 / SAR	00h
019Eh			
019Fh			
01A0h			
01A1h			
01A2h			
01A3h			
01A4h			
01A5h			
01A6h			
01A7h			
01A8h			
01A9h			
01AAh			
01ABh			
01ACh			
01ADh			
01AEh			
01AFh			
01B0h			
01B1h			
01B2h	Flash Memory Status Register	FST	10000X00b
01B3h			
01B4h	Flash Memory Control Register 0	FMR0	00h
01B5h	Flash Memory Control Register 1	FMR1	00h
01B6h	Flash Memory Control Register 2	FMR2	00h
01B7h			
01B8h			
01B9h			
01BAh			
01BBh			
01BCh			
01BDh			
01BEh			
01BFh			

X: Undefined

Notes:

1. The blank areas are reserved and cannot be accessed by users.
2. Selectable by the IICSEL bit in the SSUICSR register.

Table 4.8 SFR Information (8) (1)

Address	Register	Symbol	After Reset	
01C0h	Address Match Interrupt Register 0	RMAD0	XXh	
01C1h			XXh	
01C2h			0000XXXXb	
01C3h	Address Match Interrupt Enable Register 0	AIER0	00h	
01C4h			Address Match Interrupt Register 1	XXh
01C5h				XXh
01C6h	Address Match Interrupt Enable Register 1	AIER1	00h	
01C7h				
01C8h				
01C9h				
01CAh				
01CBh				
01CCh				
01CDh				
01CEh				
01CFh				
01D0h				
01D1h				
01D2h				
01D3h				
01D4h				
01D5h				
01D6h				
01D7h				
01D8h				
01D9h				
01DAh				
01DBh				
01DCh				
01DDh				
01DEh				
01DFh				
01E0h	Pull-Up Control Register 0	PUR0	00h	
01E1h	Pull-Up Control Register 1	PUR1	00h	
01E2h	Pull-Up Control Register 2	PUR2	00h	
01E3h				
01E4h				
01E5h				
01E6h				
01E7h				
01E8h				
01E9h				
01EAh				
01EBh				
01ECh				
01EDh				
01EEh				
01EFh				
01F0h	Port P1 Drive Capacity Control Register	P1DRR	00h	
01F1h				
01F2h	Drive Capacity Control Register 0	DRR0	00h	
01F3h	Drive Capacity Control Register 1	DRR1	00h	
01F4h	Drive Capacity Control Register 2	DRR2	00h	
01F5h	Input Threshold Control Register 0	VLT0	00h	
01F6h	Input Threshold Control Register 1	VLT1	00h	
01F7h	Input Threshold Control Register 2	VLT2	00h	
01F8h	Comparator B Control Register 0	INTCMP	00h	
01F9h				
01FAh	External Input Enable Register 0	INTEN	00h	
01FBh	External Input Enable Register 1	INTEN1	00h	
01FCh	INT Input Filter Select Register 0	INTF	00h	
01FDh	INT Input Filter Select Register 1	INTF1	00h	
01FEh	Key Input Enable Register 0	KIEN	00h	
01FFh				

X: Undefined

Note:

1. The blank areas are reserved and cannot be accessed by users.

Table 4.9 SFR Information (9) (1)

Address	Register	Symbol	After Reset
2C00h	DTC Transfer Vector Area		XXh
2C01h	DTC Transfer Vector Area		XXh
2C02h	DTC Transfer Vector Area		XXh
2C03h	DTC Transfer Vector Area		XXh
2C04h	DTC Transfer Vector Area		XXh
2C05h	DTC Transfer Vector Area		XXh
2C06h	DTC Transfer Vector Area		XXh
2C07h	DTC Transfer Vector Area		XXh
2C08h	DTC Transfer Vector Area		XXh
2C09h	DTC Transfer Vector Area		XXh
2C0Ah	DTC Transfer Vector Area		XXh
:	DTC Transfer Vector Area		XXh
:	DTC Transfer Vector Area		XXh
2C3Ah	DTC Transfer Vector Area		XXh
2C3Bh	DTC Transfer Vector Area		XXh
2C3Ch	DTC Transfer Vector Area		XXh
2C3Dh	DTC Transfer Vector Area		XXh
2C3Eh	DTC Transfer Vector Area		XXh
2C3Fh	DTC Transfer Vector Area		XXh
2C40h	DTC Control Data 0	DTCD0	XXh
2C41h			XXh
2C42h			XXh
2C43h			XXh
2C44h			XXh
2C45h			XXh
2C46h			XXh
2C47h			XXh
2C48h	DTC Control Data 1	DTCD1	XXh
2C49h			XXh
2C4Ah			XXh
2C4Bh			XXh
2C4Ch			XXh
2C4Dh			XXh
2C4Eh			XXh
2C4Fh			XXh
2C50h	DTC Control Data 2	DTCD2	XXh
2C51h			XXh
2C52h			XXh
2C53h			XXh
2C54h			XXh
2C55h			XXh
2C56h			XXh
2C57h			XXh
2C58h	DTC Control Data 3	DTCD3	XXh
2C59h			XXh
2C5Ah			XXh
2C5Bh			XXh
2C5Ch			XXh
2C5Dh			XXh
2C5Eh			XXh
2C5Fh			XXh
2C60h	DTC Control Data 4	DTCD4	XXh
2C61h			XXh
2C62h			XXh
2C63h			XXh
2C64h			XXh
2C65h			XXh
2C66h			XXh
2C67h			XXh
2C68h	DTC Control Data 5	DTCD5	XXh
2C69h			XXh
2C6Ah			XXh
2C6Bh			XXh
2C6Ch			XXh
2C6Dh			XXh
2C6Eh			XXh
2C6Fh			XXh

X: Undefined

Note:

1. The blank areas are reserved and cannot be accessed by users.

Table 4.10 SFR Information (10) (1)

Address	Register	Symbol	After Reset
2C70h	DTC Control Data 6	DTCD6	XXh
2C71h			XXh
2C72h			XXh
2C73h			XXh
2C74h			XXh
2C75h			XXh
2C76h			XXh
2C77h			XXh
2C78h	DTC Control Data 7	DTCD7	XXh
2C79h			XXh
2C7Ah			XXh
2C7Bh			XXh
2C7Ch			XXh
2C7Dh			XXh
2C7Eh			XXh
2C7Fh			XXh
2C80h	DTC Control Data 8	DTCD8	XXh
2C81h			XXh
2C82h			XXh
2C83h			XXh
2C84h			XXh
2C85h			XXh
2C86h			XXh
2C87h			XXh
2C88h	DTC Control Data 9	DTCD9	XXh
2C89h			XXh
2C8Ah			XXh
2C8Bh			XXh
2C8Ch			XXh
2C8Dh			XXh
2C8Eh			XXh
2C8Fh			XXh
2C90h	DTC Control Data 10	DTCD10	XXh
2C91h			XXh
2C92h			XXh
2C93h			XXh
2C94h			XXh
2C95h			XXh
2C96h			XXh
2C97h			XXh
2C98h	DTC Control Data 11	DTCD11	XXh
2C99h			XXh
2C9Ah			XXh
2C9Bh			XXh
2C9Ch			XXh
2C9Dh			XXh
2C9Eh			XXh
2C9Fh			XXh
2CA0h	DTC Control Data 12	DTCD12	XXh
2CA1h			XXh
2CA2h			XXh
2CA3h			XXh
2CA4h			XXh
2CA5h			XXh
2CA6h			XXh
2CA7h			XXh
2CA8h	DTC Control Data 13	DTCD13	XXh
2CA9h			XXh
2CAAh			XXh
2CABh			XXh
2CACH			XXh
2CADh			XXh
2CAEh			XXh
2CAFh			XXh

X: Undefined

Note:

1. The blank areas are reserved and cannot be accessed by users.

Table 4.11 SFR Information (11) (1)

Address	Register	Symbol	After Reset
2CB0h	DTC Control Data 14	DTCD14	XXh
2CB1h			XXh
2CB2h			XXh
2CB3h			XXh
2CB4h			XXh
2CB5h			XXh
2CB6h			XXh
2CB7h			XXh
2CB8h	DTC Control Data 15	DTCD15	XXh
2CB9h			XXh
2CBAh			XXh
2CBBh			XXh
2CBCh			XXh
2CBDh			XXh
2CBEh			XXh
2CBFh			XXh
2CC0h	DTC Control Data 16	DTCD16	XXh
2CC1h			XXh
2CC2h			XXh
2CC3h			XXh
2CC4h			XXh
2CC5h			XXh
2CC6h			XXh
2CC7h			XXh
2CC8h	DTC Control Data 17	DTCD17	XXh
2CC9h			XXh
2CCAh			XXh
2CCBh			XXh
2CCCh			XXh
2CCDh			XXh
2CCEh			XXh
2CCFh			XXh
2CD0h	DTC Control Data 18	DTCD18	XXh
2CD1h			XXh
2CD2h			XXh
2CD3h			XXh
2CD4h			XXh
2CD5h			XXh
2CD6h			XXh
2CD7h			XXh
2CD8h	DTC Control Data 19	DTCD19	XXh
2CD9h			XXh
2CDAh			XXh
2CDBh			XXh
2CDCh			XXh
2CDDh			XXh
2CDEh			XXh
2CDFh			XXh
2CE0h	DTC Control Data 20	DTCD20	XXh
2CE1h			XXh
2CE2h			XXh
2CE3h			XXh
2CE4h			XXh
2CE5h			XXh
2CE6h			XXh
2CE7h			XXh
2CE8h	DTC Control Data 21	DTCD21	XXh
2CE9h			XXh
2CEAh			XXh
2CEBh			XXh
2CECh			XXh
2CEDh			XXh
2CEEh			XXh
2CEFh			XXh

X: Undefined

Note:

1. The blank areas are reserved and cannot be accessed by users.

Table 4.12 SFR Information (12) (1)

Address	Register	Symbol	After Reset		
2CF0h	DTC Control Data 22	DTCD22	XXh		
2CF1h			XXh		
2CF2h			XXh		
2CF3h			XXh		
2CF4h			XXh		
2CF5h			XXh		
2CF6h			XXh		
2CF7h			XXh		
2CF8h	DTC Control Data 23	DTCD23	XXh		
2CF9h			XXh		
2CFAh			XXh		
2CFBh			XXh		
2CFC			XXh		
2CFDh			XXh		
2CFEh			XXh		
2CFFh			XXh		
2D00h					
.					
2DFh					
2E00h	System Configuration Control Register	SYSCFG	00h		
2E01h			00h		
2E02h					
2E03h					
2E04h	System Configuration Status Register 0	SYSSTS0	0000X00b		
2E05h			XX000000b		
2E06h					
2E07h					
2E08h	Device State Control Register 0	DVSTCTR0	00h		
2E09h			00h		
2E0Ah					
2E0Bh					
2E0Ch					
2E0Dh					
2E0Eh					
2E0Fh					
2E10h					
2E11h					
2E12h					
2E13h					
2E14h	CFIFO Port Register	CFIFO	00h		
2E15h			00h		
2E16h					
2E17h					
2E18h					
2E19h					
2E1Ah					
2E1Bh					
2E1Ch					
2E1Dh					
2E1Eh					
2E1Fh					
2E20h	CFIFO Port Select Register	CFIFOSEL	00h		
2E21h			00h		
2E22h	CFIFO Port Control Register	CFIFOCTR	00h		
2E23h			00h		
2E24h					
2E25h					
2E26h					
2E27h					
2E28h					
2E29h					
2E2Ah					
2E2Bh					
2E2Ch					
2E2Dh					
2E2Eh					
2E2Fh					

X: Undefined

Note:

1. The blank areas are reserved and cannot be accessed by users.

Table 4.13 SFR Information (13) (1)

Address	Register	Symbol	After Reset
2E30h	Interrupt Enable Register 0	INTENB0	00h
2E31h			00h
2E32h	Interrupt Enable Register 1 (2)	INTENB1	00h
2E33h			00h
2E34h			
2E35h			
2E36h	BRDY Interrupt Enable Register	BRDYENB	00h
2E37h			00h
2E38h	NRDY Interrupt Enable Register	NRDYENB	00h
2E39h			00h
2E3Ah	BEMP Interrupt Enable Register	BEMPENB	00h
2E3Bh			00h
2E3Ch	SOF Output Configuration Register	SOFCFG	00h
2E3Dh			00h
2E3Eh			
2E3Fh			
2E40h	Interrupt Status Register 0	INTSTS0	X0000000b
2E41h			X0000000b
2E42h	Interrupt Status Register 1 (2)	INTSTS1	00h
2E43h			00h
2E44h			
2E45h			
2E46h	BRDY Interrupt Status Register	BRDYSTS	00h
2E47h			00h
2E48h	NRDY Interrupt Status Register	NRDYSTS	00h
2E49h			00h
2E4Ah	BEMP Interrupt Status Register	BEMPSTS	00h
2E4Bh			00h
2E4Ch	Frame Number Register	FRMNUM	00h
2E4Dh			00h
2E4Eh			
2E4Fh			
2E50h	USB Address Register	USBADDR	00h
2E51h			00h
2E52h			
2E53h			
2E54h	USB Request Type Register	USBREQ	00h
2E55h			00h
2E56h	USB Request Value Register	USBVAL	00h
2E57h			00h
2E58h	USB Request Index Register	USBINDX	00h
2E59h			00h
2E5Ah	USB Request Length Register	USBLENG	00h
2E5Bh			00h
2E5Ch			
2E5Dh	DCP Configuration Register	DCPCFG	00h
2E5Eh	DCP Max Packet Size Register	DCPMAXP	40h
2E5Fh			00h
2E60h	DCP Control Register	DCPCTR	40h
2E61h			00h
2E62h			
2E63h			
2E64h	Pipe Window Select Register	PIPESEL	00h
2E65h			00h
2E66h			
2E67h			
2E68h	Pipe Window Configuration Register	PIPECFG	00h
2E69h			00h
2E6Ah			
2E6Bh			
2E6Ch	Pipe Max Packet Size Register	PIPEMAXP	00h
2E6Dh			00h
2E6Eh	Pipe Period Control Register (2)	PIPEPERI	00h
2E6Fh			00h

X: Undefined

Notes:

1. The blank areas are reserved and cannot be accessed by users.
2. This register is not available in the R8C/34U Group.

Table 4.14 SFR Information (14) (1)

Address	Register	Symbol	After Reset
2E70h			
2E71h			
2E72h			
2E73h			
2E74h			
2E75h			
2E76h	Pipe 4 Control Register	PIPE4CTR	00h
2E77h			00h
2E78h	Pipe 5 Control Register	PIPE5CTR	00h
2E79h			00h
2E7Ah	Pipe 6 Control Register	PIPE6CTR	00h
2E7Bh			00h
2E7Ch	Pipe 7 Control Register	PIPE7CTR	00h
2E7Dh			00h
2E7Eh			
2E7Fh			
2E80h			
:			
2E8Fh			
2E90h			
2E91h			
2E92h			
2E93h			
2E94h			
2E95h			
2E96h			
2E97h			
2E98h			
2E99h			
2E9Ah			
2E9Bh			
2E9Ch	Pipe 4 Transaction Counter Enable Register	PIPE4TRE	00h
2E9Dh			00h
2E9Eh	Pipe 4 Transaction Counter Register	PIPE4TRN	00h
2E9Fh			00h
2EA0h	Pipe 5 Transaction Counter Enable Register	PIPE5TRE	00h
2EA1h			00h
2EA2h	Pipe 5 Transaction Counter Register	PIPE5TRN	00h
2EA3h			00h
2EA4h			
2EA5h			
2EA6h			
2EA7h			
2EA8h			
2EA9h			
2EAAh			
2EABh			
2EACH			
2EADh			
:			
2ECFh			
2ED0h	Device Address 0 Configuration Register (2)	DEVADD0	00h
2ED1h			00h
2ED2h	Device Address 1 Configuration Register (2)	DEVADD1	00h
2ED3h			00h
2ED4h	Device Address 2 Configuration Register (2)	DEVADD2	00h
2ED5h			00h
2ED6h	Device Address 3 Configuration Register (2)	DEVADD3	00h
2ED7h			00h
2ED8h	Device Address 4 Configuration Register (2)	DEVADD4	00h
2ED9h			00h
2EDAh	Device Address 5 Configuration Register (2)	DEVADD5	00h
2EDBh			00h
2EDCh			
2EDDh			
:			
2EFFh			

X: Undefined

Notes:

1. The blank areas are reserved and cannot be accessed by users.
2. This register is not available in the R8C/34U Group.

Table 4.15 SFR Information (15) (1)

Address	Register	Symbol	After Reset
2F00h	USB Module Control Register	USBMC	00X10000b
2F01h	PLL Control Register 0	PLC0	0010X000b
2F02h	PLL Control Register 1	PLC1	00001100b
2F03h	PLL Division Control Register	PLDIV	00001011b
2F04h			
2F05h			
2F06h			
2F07h			
2F08h			
2F09h			
2F0Ah			
2F0Bh			
2F0Ch			
2F0Dh			
2F0Eh			
2F0Fh			
2F10h	USB Pin Select Register 0	USBSR0	00h
2F11h	USB Pin Select Register 1 (2)	USBSR1	00h
2F12h	UART3 Pin Select Register	U3SR	00h
2F13h			
2F14h			
2F15h			
2F16h			
2F17h			
2F18h			
2F19h			
2F1Ah			
2F1Bh			
2F1Ch			
2F1Dh			
2F1Eh			
2F1Fh			
:			
2FFFh			

X: Undefined

Notes:

1. The blank areas are reserved and cannot be accessed by users.
2. This register is not available in the R8C/34U Group.

Table 4.16 ID Code Areas and Option Function Select Area

Address	Area Name	Symbol	After Reset
:			
FFDBh	Option Function Select Register 2	OFS2	(Note 1)
:			
FFDFh	ID1		(Note 2)
:			
FFE3h	ID2		(Note 2)
:			
FFEBh	ID3		(Note 2)
:			
FFEFh	ID4		(Note 2)
:			
FFF3h	ID5		(Note 2)
:			
FFF7h	ID6		(Note 2)
:			
FFFBh	ID7		(Note 2)
:			
FFFFh	Option Function Select Register	OFS	(Note 1)

Notes:

1. The option function select area is allocated in the flash memory, not in the SFRs. Set appropriate values as ROM data by a program. Do not write additions to the option function select area. If the block including the option function select area is erased, the option function select area is set to FFh. When blank products are shipped, the option function select area is set to FFh. It is set to the written value after written by the user. When factory-programming products are shipped, the value of the option function select area is the value programmed by the user.
2. The ID code areas are allocated in the flash memory, not in the SFRs. Set appropriate values as ROM data by a program. Do not write additions to the ID code areas. If the block including the ID code areas is erased, the ID code areas are set to FFh. When blank products are shipped, the ID code areas are set to FFh. They are set to the written value after written by the user. When factory-programming products are shipped, the value of the ID code areas is the value programmed by the user.

5. Electrical Characteristics

5.1 R8C/34U Group

Table 5.1 Absolute Maximum Ratings

Symbol	Parameter	Condition	Rated Value	Unit
V _{cc} /AV _{cc}	Supply voltage		-0.3 to 6.5	V
V _i	Input voltage		-0.3 to V _{cc} + 0.3	V
V _o	Output voltage		-0.3 to V _{cc} + 0.3	V
P _d	Power dissipation	-40°C ≤ T _{opr} ≤ 85°C	500	mW
T _{opr}	Operating ambient temperature		-20 to 85 (N version)/ -40 to 85 (D version)	°C
T _{stg}	Storage temperature		-65 to 150	°C

Table 5.2 Recommended Operating Conditions (1)

Symbol	Parameter		Conditions	Standard			Unit		
				Min.	Typ.	Max.			
Vcc/AVcc	Supply voltage	When USB function is used		3.0	5.0	5.5	V		
		When USB function is not used		1.8	5.0	5.5	V		
UVcc	USB Supply Voltage (When UVCC pin is input)	When USB function is used	Vcc/AVcc = 3.0 to 3.6 V	—	Vcc/AVcc (4)	—	V		
		When USB function is not used	Vcc/AVcc = 1.8 to 5.5 V	—	Vcc/AVcc (4)	—	V		
Vss/AVss	Supply voltage			—	0	—	V		
VIH	Input "H" voltage	Other than CMOS input			0.8 Vcc	—	Vcc	V	
		CMOS input	Input level switching function (I/O port)	Input level selection: 0.35 Vcc	4.0 V ≤ Vcc ≤ 5.5 V	0.5 Vcc	—	Vcc	V
					2.7 V ≤ Vcc < 4.0 V	0.55 Vcc	—	Vcc	V
					1.8 V ≤ Vcc < 2.7 V	0.65 Vcc	—	Vcc	V
				Input level selection: 0.5 Vcc	4.0 V ≤ Vcc ≤ 5.5 V	0.65 Vcc	—	Vcc	V
					2.7 V ≤ Vcc < 4.0 V	0.7 Vcc	—	Vcc	V
					1.8 V ≤ Vcc < 2.7 V	0.8 Vcc	—	Vcc	V
				Input level selection: 0.7 Vcc	4.0 V ≤ Vcc ≤ 5.5 V	0.85 Vcc	—	Vcc	V
					2.7 V ≤ Vcc < 4.0 V	0.85 Vcc	—	Vcc	V
					1.8 V ≤ Vcc < 2.7 V	0.85 Vcc	—	Vcc	V
			External clock input (XOUT)			1.2	—	Vcc	V
VIL	Input "L" voltage	Other than CMOS input			0	—	0.2 Vcc	V	
		CMOS input	Input level switching function (I/O port)	Input level selection: 0.35 Vcc	4.0 V ≤ Vcc ≤ 5.5 V	0	—	0.2 Vcc	V
					2.7 V ≤ Vcc < 4.0 V	0	—	0.2 Vcc	V
					1.8 V ≤ Vcc < 2.7 V	0	—	0.2 Vcc	V
				Input level selection: 0.5 Vcc	4.0 V ≤ Vcc ≤ 5.5 V	0	—	0.4 Vcc	V
					2.7 V ≤ Vcc < 4.0 V	0	—	0.3 Vcc	V
					1.8 V ≤ Vcc < 2.7 V	0	—	0.2 Vcc	V
				Input level selection: 0.7 Vcc	4.0 V ≤ Vcc ≤ 5.5 V	0	—	0.55 Vcc	V
					2.7 V ≤ Vcc < 4.0 V	0	—	0.45 Vcc	V
					1.8 V ≤ Vcc < 2.7 V	0	—	0.35 Vcc	V
			External clock input (XOUT)			0	—	0.4	V
IOH(sum)	Peak sum output "H" current	Sum of all pins IOH(peak)		—	—	-160	mA		
IOH(sum)	Average sum output "H" current	Sum of all pins IOH(avg)		—	—	-80	mA		
IOH(peak)	Peak output "H" current	Drive capacity Low		—	—	-10	mA		
		Drive capacity High		—	—	-40	mA		
IOH(avg)	Average output "H" current	Drive capacity Low		—	—	-5	mA		
		Drive capacity High		—	—	-20	mA		
IOL(sum)	Peak sum output "L" current	Sum of all pins IOL(peak)		—	—	160	mA		
IOI(sum)	Average sum output "L" current	Sum of all pins IOI(avg)		—	—	80	mA		
IOL(peak)	Peak output "L" current	Drive capacity Low		—	—	10	mA		
		Drive capacity High		—	—	40	mA		
IOL(avg)	Average output "L" current	Drive capacity Low		—	—	5	mA		
		Drive capacity High		—	—	20	mA		
f(XIN)	XIN clock input oscillation frequency	2.7 V ≤ Vcc ≤ 5.5 V		—	—	20	MHz		
		1.8 V ≤ Vcc < 2.7 V		—	—	5	MHz		
fOCO40M	When used as the count source for timer RC (3)	2.7 V ≤ Vcc ≤ 5.5 V		32	—	40	MHz		
fOCO-F	fOCO-F frequency	2.7 V ≤ Vcc ≤ 5.5 V		—	—	20	MHz		
		1.8 V ≤ Vcc < 2.7 V		—	—	5	MHz		
—	System clock frequency	2.7 V ≤ Vcc ≤ 5.5 V		—	—	20	MHz		
		1.8 V ≤ Vcc < 2.7 V		—	—	5	MHz		
f(BCLK)	CPU clock frequency	2.7 V ≤ Vcc ≤ 5.5 V		—	—	20	MHz		
		1.8 V ≤ Vcc < 2.7 V		—	—	5	MHz		
tsu(PLL)	PLL frequency synthesizer stabilization wait time	4.0 V ≤ Vcc ≤ 5.5 V		—	—	2	ms		
		2.7 V ≤ Vcc < 4.0 V		—	—	3	ms		

Notes:

1. Vcc = 1.8 to 5.5 V and Topr = -20 to 85 °C (N version)/-40 to 85 °C (D version), unless otherwise specified.
2. The average output current indicates the average value of current measured during 100 ms.
3. fOCO40M can be used as the count source for timer RC in the range of Vcc = 2.7 to 5.5 V.
4. Connect Vcc/AVcc for the UVcc pin input.

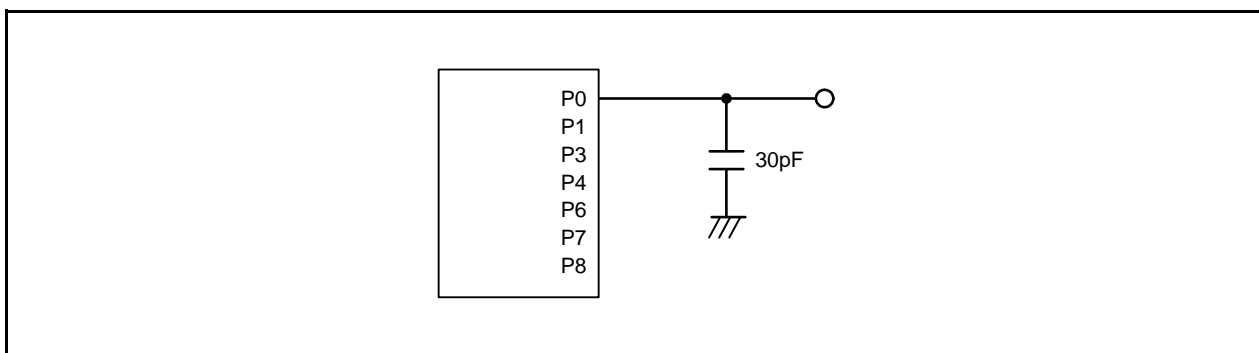


Figure 5.1 Ports P0, P1, P3, P4, P6, P7 and P8 Timing Measurement Circuit

Table 5.3 A/D Converter Characteristics

Symbol	Parameter		Conditions	Standard			Unit
				Min.	Typ.	Max.	
—	Resolution		$V_{ref} = AV_{cc}$	—	—	10	Bit
—	Absolute accuracy	10-bit mode	$V_{ref} = AV_{cc} = 5.0\text{ V}$ AN0 to AN7 input, AN8 to AN11 input	—	—	± 3	LSB
			$V_{ref} = AV_{cc} = 3.3\text{ V}$ AN0 to AN7 input, AN8 to AN11 input	—	—	± 5	LSB
			$V_{ref} = AV_{cc} = 3.0\text{ V}$ AN0 to AN7 input, AN8 to AN11 input	—	—	± 5	LSB
			$V_{ref} = AV_{cc} = 2.2\text{ V}$ AN0 to AN7 input, AN8 to AN11 input	—	—	± 5	LSB
		8-bit mode	$V_{ref} = AV_{cc} = 5.0\text{ V}$ AN0 to AN7 input, AN8 to AN11 input	—	—	± 2	LSB
			$V_{ref} = AV_{cc} = 3.3\text{ V}$ AN0 to AN7 input, AN8 to AN11 input	—	—	± 2	LSB
			$V_{ref} = AV_{cc} = 3.0\text{ V}$ AN0 to AN7 input, AN8 to AN11 input	—	—	± 2	LSB
			$V_{ref} = AV_{cc} = 2.2\text{ V}$ AN0 to AN7 input, AN8 to AN11 input	—	—	± 2	LSB
ϕ_{AD}	A/D conversion clock		$4.0\text{ V} \leq V_{ref} = AV_{cc} \leq 5.5\text{ V}^{(2)}$	2	—	20	MHz
			$3.2\text{ V} \leq V_{ref} = AV_{cc} \leq 5.5\text{ V}^{(2)}$	2	—	16	MHz
			$2.7\text{ V} \leq V_{ref} = AV_{cc} \leq 5.5\text{ V}^{(2)}$	2	—	10	MHz
			$2.2\text{ V} \leq V_{ref} = AV_{cc} \leq 5.5\text{ V}^{(2)}$	2	—	5	MHz
—	Tolerance level impedance			—	3	—	$k\Omega$
tCONV	Conversion time	10-bit mode	$V_{ref} = AV_{cc} = 5.0\text{ V}$, $\phi_{AD} = 20\text{ MHz}$	2.2	—	—	μs
		8-bit mode	$V_{ref} = AV_{cc} = 5.0\text{ V}$, $\phi_{AD} = 20\text{ MHz}$	2.2	—	—	μs
tsAMP	Sampling time		$\phi_{AD} = 20\text{ MHz}$	0.8	—	—	μs
I _{Vref}	V _{ref} current		$V_{cc} = 5.0\text{ V}$, $XIN = f1 = \phi_{AD} = 20\text{ MHz}$	—	45	—	μA
V _{ref}	Reference voltage			2.2	—	AV_{cc}	V
V _{IA}	Analog input voltage ⁽³⁾			0	—	V _{ref}	V
OCVREF	On-chip reference voltage		$2\text{ MHz} \leq \phi_{AD} \leq 4\text{ MHz}$	1.19	1.34	1.49	V

Notes:

- $V_{cc}/AV_{cc} = V_{ref} = 2.2$ to 5.5 V , $V_{ss} = 0\text{ V}$, and $T_{opr} = -20$ to $85\text{ }^\circ\text{C}$ (N version)/ -40 to $85\text{ }^\circ\text{C}$ (D version), unless otherwise specified.
- The A/D conversion result will be undefined in wait mode, stop mode, when the flash memory stops, and in low-current-consumption mode. Do not perform A/D conversion in these states or transition to these states during A/D conversion.
- When the analog input voltage is over the reference voltage, the A/D conversion result will be 3FFh in 10-bit mode and FFh in 8-bit mode.

Table 5.4 Comparator B Electrical Characteristics

Symbol	Parameter	Condition	Standard			Unit
			Min.	Typ.	Max.	
V _{ref}	IVREF1, IVREF3 input reference voltage		0	—	V _{CC} - 1.4	V
V _I	IVCMP1, IVCMP3 input voltage		-0.3	—	V _{CC} + 0.3	V
—	Offset		—	5	100	mV
t _d	Comparator output delay time ⁽²⁾	V _I = V _{ref} ± 100 mV	—	0.1	—	μs
I _{CMP}	Comparator operating current	V _{CC} = 5.0 V	—	17.5	—	μA

Notes:

1. V_{CC} = 2.7 to 5.5 V and T_{opr} = -20 to 85 °C (N version)/-40 to 85 °C (D version), unless otherwise specified.
2. When the digital filter is disabled.

Table 5.5 USB Characteristics

Symbol	Parameter		Condition	Standard			Unit
				Min.	Typ.	Max.	
V _{IH}	Input characteristics	Input "H" voltage	Figures 5.2 and 5.3	2.0	—	—	V
V _{IL}		Input "L" voltage		—	—	0.8	V
V _{DI}		Differential input sensitivity		0.2	—	—	V
V _{CM}		Differential common mode range		0.8	—	2.5	V
V _{OH}	Output characteristics	Output "H" voltage	Figures 5.2 and 5.3 I _{CH} = 200μA	2.8	—	—	V
V _{OL}		Output "L" voltage		Figures 5.2 and 5.3 I _{CL} = 2 mA	—	—	0.3
V _{CRS}		Crossover voltage	Figures 5.2 and 5.3		1.3	—	2.0
t _R		Rise time	Figures 5.2 and 5.3	4.0	—	20.0	ns
t _F		Fall time	Figures 5.2 and 5.3	4.0	—	20.0	ns
t _{RFM}		Rise time / Fall time matching	Figures 5.2 and 5.3 (t _R /t _F)	90.0	—	111.1	%
Z _{DRV}		Output resistance	Figures 5.2 and 5.3 Includes R _s = 27Ω	28	—	44.0	Ω
UVCC		UVCC output voltage	V _{CC} = 4.0 to 5.5V, PXXCON = VDDUSBE = 1	3.0	3.3	3.6	V
	PXXCON = 0		—	V _{CC}	—	V	
I _{susp}	Consumption current of the Internal power supply for USB		V _{CC} = 4.0 to 5.5 V UV _{CC} - V _{SS} 0.33 μF V _{CC} - V _{SS} 0.1 μF		50		μA

Note:

1. Referenced to V_{CC} = 3.0 to 5.5 V, UV_{CC} = 3.0 V, at T_{opr} = -20 to 85 °C (N version)/-40 to 85 °C (D version) unless otherwise specified.

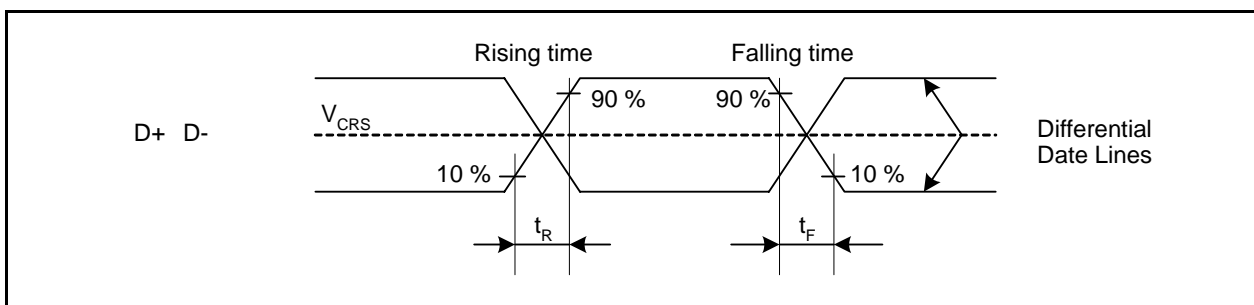


Figure 5.2 Data Signal Timing Diagram

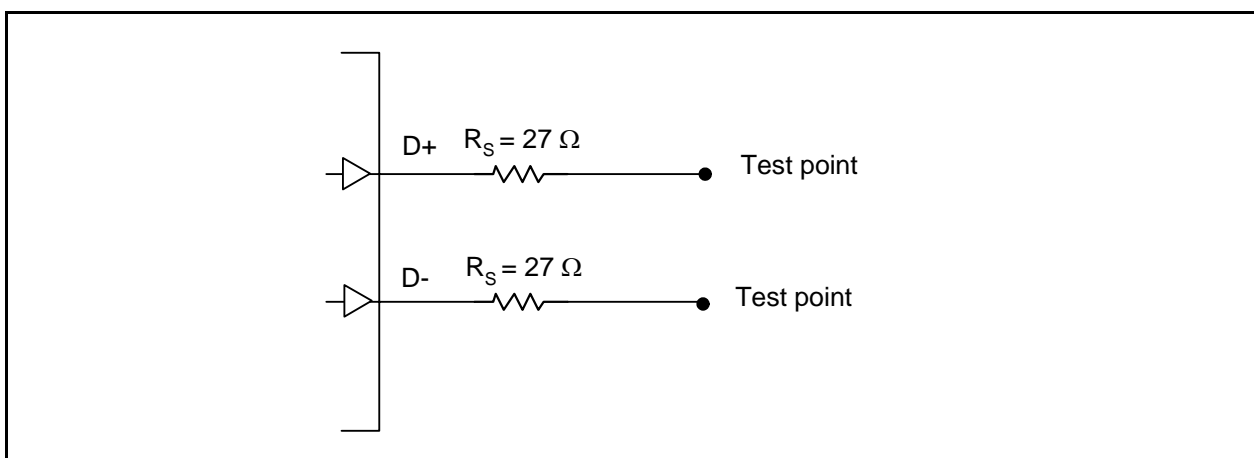


Figure 5.3 Load Condition

Table 5.6 Flash Memory (Program ROM) Electrical Characteristics

Symbol	Parameter	Conditions	Standard			Unit
			Min.	Typ.	Max.	
—	Program/erase endurance ⁽²⁾		1,000 ⁽³⁾	—	—	times
—	Byte program time		—	80	500	μs
—	Block erase time		—	0.3	—	s
t _d (SR-SUS)	Time delay from suspend request until suspend		—	—	5 + CPU clock × 3 cycles	ms
—	Interval from erase start/restart until following suspend request		0	—	—	μs
—	Time from suspend until erase restart		—	—	30 + CPU clock × 1 cycle	μs
t _d (CMDRST-READY)	Time from when command is forcibly stopped until reading is enabled		—	—	30 + CPU clock × 1 cycle	μs
—	Program, erase voltage		2.7	—	5.5	V
—	Read voltage		1.8	—	5.5	V
—	Program, erase temperature		0	—	60	°C
—	Data hold time ⁽⁷⁾	Ambient temperature = 55 °C	20	—	—	year

Notes:

- V_{CC} = 2.7 to 5.5 V and T_{opr} = 0 to 60 °C, unless otherwise specified.
- Definition of programming/erasure endurance
The programming and erasure endurance is defined on a per-block basis.
If the programming and erasure endurance is n (n = 1,000), each block can be erased n times. For example, if 1,024 1-byte writes are performed to different addresses in block A, a 1 Kbyte block, and then the block is erased, the programming/erasure endurance still stands at one. However, the same address must not be programmed more than once per erase operation (overwriting prohibited).
- Endurance to guarantee all electrical characteristics after program and erase. (1 to Min. value can be guaranteed.)
- In a system that executes multiple programming operations, the actual erasure count can be reduced by writing to sequential addresses in turn so that as much of the block as possible is used up before performing an erase operation. For example, when programming groups of 16 bytes, the effective number of rewrites can be minimized by programming up to 128 groups before erasing them all in one operation. It is also advisable to retain data on the erasure endurance of each block and limit the number of erase operations to a certain number.
- If an error occurs during block erase, attempt to execute the clear status register command, then execute the block erase command at least three times until the erase error does not occur.
- Customers desiring program/erase failure rate information should contact their Renesas technical support representative.
- The data hold time includes time that the power supply is off or the clock is not supplied.

Table 5.7 Flash Memory (Data flash Block A to Block D) Electrical Characteristics

Symbol	Parameter	Conditions	Standard			Unit
			Min.	Typ.	Max.	
—	Program/erase endurance ⁽²⁾		10,000 ⁽³⁾	—	—	times
—	Byte program time (program/erase endurance ≤ 1,000 times)		—	160	1500	μs
—	Byte program time (program/erase endurance > 1,000 times)		—	300	1500	μs
—	Block erase time (program/erase endurance ≤ 1,000 times)		—	0.2	1	s
—	Block erase time (program/erase endurance > 1,000 times)		—	0.3	1	s
t _d (SR-SUS)	Time delay from suspend request until suspend		—	—	5 + CPU clock × 3 cycles	ms
—	Interval from erase start/restart until following suspend request		0	—	—	μs
—	Time from suspend until erase restart		—	—	30 + CPU clock × 1 cycle	μs
t _d (CMDRST-READY)	Time from when command is forcibly stopped until reading is enabled		—	—	30 + CPU clock × 1 cycle	μs
—	Program, erase voltage		2.7	—	5.5	V
—	Read voltage		1.8	—	5.5	V
—	Program, erase temperature		-20 ⁽⁷⁾	—	85	°C
—	Data hold time ⁽⁸⁾	Ambient temperature = 55 °C	20	—	—	year

Notes:

- V_{CC} = 2.7 to 5.5 V and T_{opr} = -20 to 85 °C (N version)/-40 to 85 °C (D version), unless otherwise specified.
- Definition of programming/erasure endurance
The programming and erasure endurance is defined on a per-block basis.
If the programming and erasure endurance is n (n = 10,000), each block can be erased n times. For example, if 1,024 1-byte writes are performed to different addresses in block A, a 1 Kbyte block, and then the block is erased, the programming/erasure endurance still stands at one. However, the same address must not be programmed more than once per erase operation (overwriting prohibited).
- Endurance to guarantee all electrical characteristics after program and erase. (1 to Min. value can be guaranteed.)
- In a system that executes multiple programming operations, the actual erasure count can be reduced by writing to sequential addresses in turn so that as much of the block as possible is used up before performing an erase operation. For example, when programming groups of 16 bytes, the effective number of rewrites can be minimized by programming up to 128 groups before erasing them all in one operation. In addition, averaging the erasure endurance between blocks A to D can further reduce the actual erasure endurance. It is also advisable to retain data on the erasure endurance of each block and limit the number of erase operations to a certain number.
- If an error occurs during block erase, attempt to execute the clear status register command, then execute the block erase command at least three times until the erase error does not occur.
- Customers desiring program/erase failure rate information should contact their Renesas technical support representative.
- 40 °C for D version.
- The data hold time includes time that the power supply is off or the clock is not supplied.

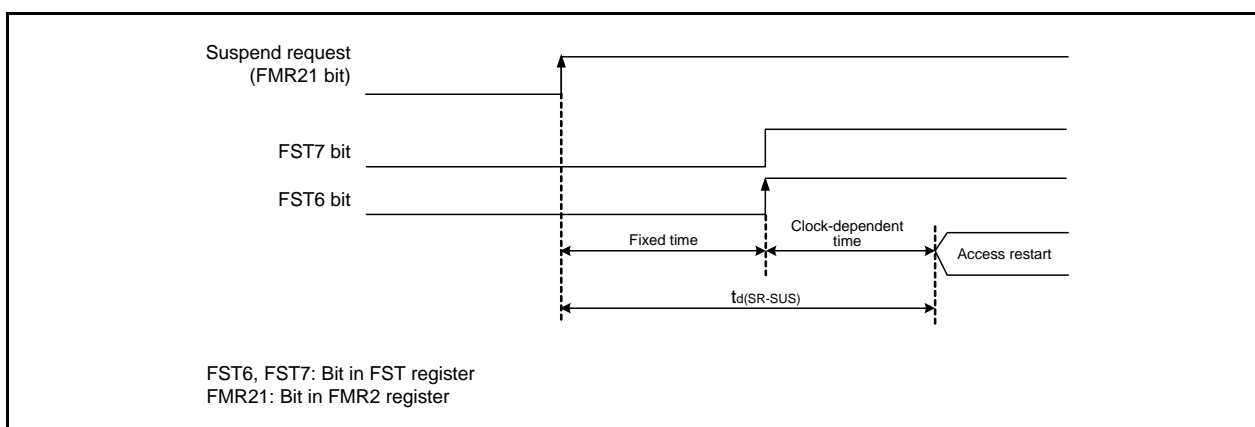
**Figure 5.4 Time delay until Suspend**

Table 5.8 Voltage Detection 0 Circuit Electrical Characteristics

Symbol	Parameter	Condition	Standard			Unit
			Min.	Typ.	Max.	
Vdet0	Voltage detection level Vdet0_0 (2)		1.80	1.90	2.05	V
	Voltage detection level Vdet0_1 (2)		2.15	2.35	2.50	V
	Voltage detection level Vdet0_2 (2)		2.70	2.85	3.05	V
	Voltage detection level Vdet0_3 (2)		3.55	3.80	4.05	V
—	Voltage detection 0 circuit response time (4)	At the falling of Vcc from 5.0 V to (Vdet0_0 – 0.1) V	—	6	150	μs
—	Voltage detection circuit self power consumption	VCA25 = 1, Vcc = 5.0 V	—	1.5	—	μA
td(E-A)	Waiting time until voltage detection circuit operation starts (3)		—	—	100	μs

Notes:

1. The measurement condition is Vcc = 1.8 to 5.5 V and Topr = –20 to 85 °C (N version)/–40 to 85 °C (D version).
2. Select the voltage detection level with bits VDSEL0 and VDSEL1 in the OFS register.
3. Necessary time until the voltage detection circuit operates when setting to 1 again after setting the VCA25 bit in the VCA2 register to 0.
4. Time until the voltage monitor 0 reset is generated after the voltage passes Vdet0.

Table 5.9 Voltage Detection 1 Circuit Electrical Characteristics

Symbol	Parameter	Condition	Standard			Unit
			Min.	Typ.	Max.	
Vdet1	Voltage detection level Vdet1_0 (2)	At the falling of Vcc	2.00	2.20	2.40	V
	Voltage detection level Vdet1_1 (2)	At the falling of Vcc	2.15	2.35	2.55	V
	Voltage detection level Vdet1_2 (2)	At the falling of Vcc	2.30	2.50	2.70	V
	Voltage detection level Vdet1_3 (2)	At the falling of Vcc	2.45	2.65	2.85	V
	Voltage detection level Vdet1_4 (2)	At the falling of Vcc	2.60	2.80	3.00	V
	Voltage detection level Vdet1_5 (2)	At the falling of Vcc	2.75	2.95	3.15	V
	Voltage detection level Vdet1_6 (2)	At the falling of Vcc	2.85	3.10	3.40	V
	Voltage detection level Vdet1_7 (2)	At the falling of Vcc	3.00	3.25	3.55	V
	Voltage detection level Vdet1_8 (2)	At the falling of Vcc	3.15	3.40	3.70	V
	Voltage detection level Vdet1_9 (2)	At the falling of Vcc	3.30	3.55	3.85	V
	Voltage detection level Vdet1_A (2)	At the falling of Vcc	3.45	3.70	4.00	V
	Voltage detection level Vdet1_B (2)	At the falling of Vcc	3.60	3.85	4.15	V
	Voltage detection level Vdet1_C (2)	At the falling of Vcc	3.75	4.00	4.30	V
	Voltage detection level Vdet1_D (2)	At the falling of Vcc	3.90	4.15	4.45	V
	Voltage detection level Vdet1_E (2)	At the falling of Vcc	4.05	4.30	4.60	V
	Voltage detection level Vdet1_F (2)	At the falling of Vcc	4.20	4.45	4.75	V
—	Hysteresis width at the rising of Vcc in voltage detection 1 circuit	Vdet1_0 to Vdet1_5 selected	—	0.07	—	V
		Vdet1_6 to Vdet1_F selected	—	0.10	—	V
—	Voltage detection 1 circuit response time (3)	At the falling of Vcc from 5.0 V to (Vdet1_0 – 0.1) V	—	60	150	μs
—	Voltage detection circuit self power consumption	VCA26 = 1, Vcc = 5.0 V	—	1.7	—	μA
td(E-A)	Waiting time until voltage detection circuit operation starts (4)		—	—	100	μs

Notes:

1. The measurement condition is Vcc = 1.8 to 5.5 V and Topr = –20 to 85 °C (N version)/–40 to 85 °C (D version).
2. Select the voltage detection level with bits VD1S0 to VD1S3 in the VD1LS register.
3. Time until the voltage monitor 1 interrupt request is generated after the voltage passes Vdet1.
4. Necessary time until the voltage detection circuit operates when setting to 1 again after setting the VCA26 bit in the VCA2 register to 0.

Table 5.10 Voltage Detection 2 Circuit Electrical Characteristics

Symbol	Parameter	Condition	Standard			Unit
			Min.	Typ.	Max.	
V _{det2}	Voltage detection level V _{det2_0}	At the falling of V _{cc}	3.70	4.00	4.30	V
—	Hysteresis width at the rising of V _{cc} in voltage detection 2 circuit		—	0.10	—	V
—	Voltage detection 2 circuit response time (2)	At the falling of V _{cc} from 5.0 V to (V _{det2_0} - 0.1) V	—	20	150	μs
—	Voltage detection circuit self power consumption	VCA27 = 1, V _{cc} = 5.0 V	—	1.7	—	μA
t _{d(E-A)}	Waiting time until voltage detection circuit operation starts (3)		—	—	100	μs

Notes:

1. The measurement condition is V_{cc} = 1.8 to 5.5 V and T_{opr} = -20 to 85 °C (N version)/-40 to 85 °C (D version).
2. Time until the voltage monitor 2 interrupt request is generated after the voltage passes V_{det2}.
3. Necessary time until the voltage detection circuit operates after setting to 1 again after setting the VCA27 bit in the VCA2 register to 0.

Table 5.11 Power-on Reset Circuit (2)

Symbol	Parameter	Condition	Standard			Unit
			Min.	Typ.	Max.	
t _{rth}	External power V _{cc} rise gradient	(1)	0	—	50,000	mV/msec

Notes:

1. The measurement condition is T_{opr} = -20 to 85 °C (N version)/-40 to 85 °C (D version), unless otherwise specified.
2. To use the power-on reset function, enable voltage monitor 0 reset by setting the LVDAS bit in the OFS register to 0.

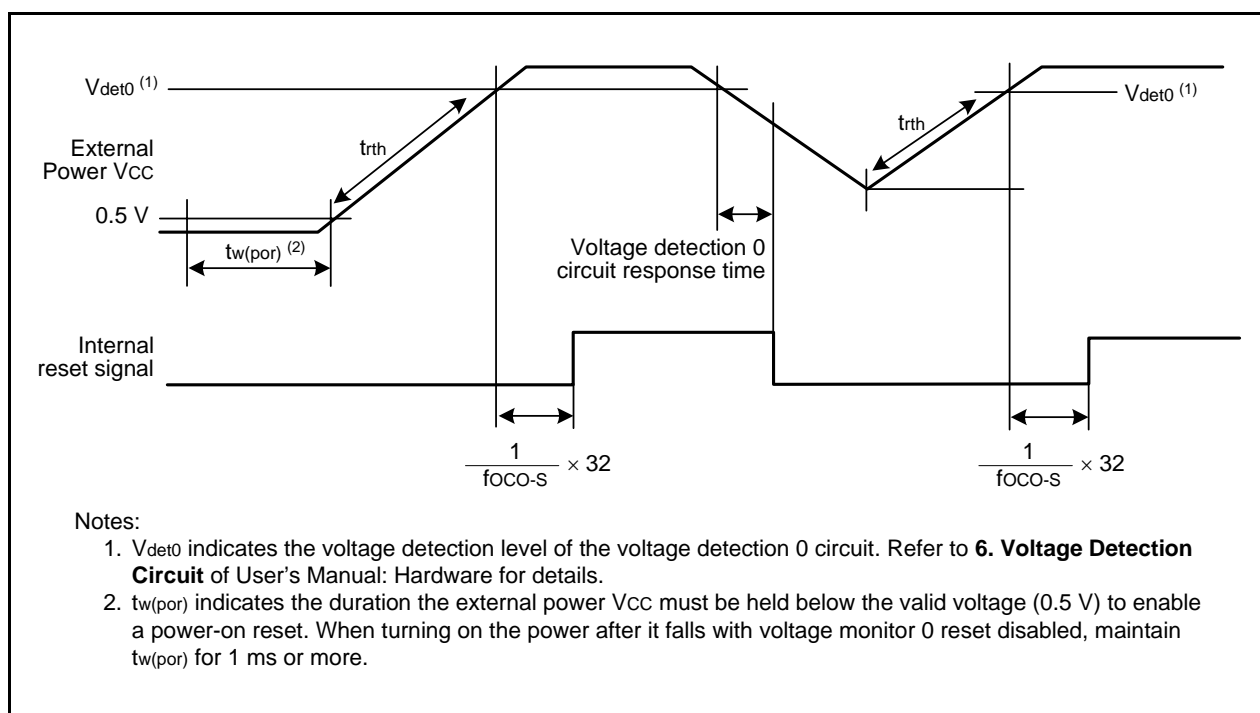
**Figure 5.5 Power-on Reset Circuit Electrical Characteristics**

Table 5.12 High-speed On-Chip Oscillator Circuit Electrical Characteristics

Symbol	Parameter	Condition	Standard			Unit
			Min.	Typ.	Max.	
—	High-speed on-chip oscillator frequency after reset	$V_{CC} = 1.8 \text{ V to } 5.5 \text{ V}$ $-20 \text{ }^{\circ}\text{C} \leq T_{opr} \leq 85 \text{ }^{\circ}\text{C}$	36.0	40	44.0	MHz
		$V_{CC} = 1.8 \text{ V to } 5.5 \text{ V}$ $-40 \text{ }^{\circ}\text{C} \leq T_{opr} \leq 85 \text{ }^{\circ}\text{C}$	36.0	40	44.0	
—	High-speed on-chip oscillator frequency when the FRA4 register correction value is written into the FRA1 register and the FRA5 register correction value into the FRA3 register ⁽²⁾	$V_{CC} = 1.8 \text{ V to } 5.5 \text{ V}$ $-20 \text{ }^{\circ}\text{C} \leq T_{opr} \leq 85 \text{ }^{\circ}\text{C}$	33.178	36.864	40.550	MHz
		$V_{CC} = 1.8 \text{ V to } 5.5 \text{ V}$ $-40 \text{ }^{\circ}\text{C} \leq T_{opr} \leq 85 \text{ }^{\circ}\text{C}$	33.178	36.864	40.550	
—	High-speed on-chip oscillator frequency when the FRA6 register correction value is written into the FRA1 register and the FRA7 register correction value into the FRA3 register	$V_{CC} = 1.8 \text{ V to } 5.5 \text{ V}$ $-20 \text{ }^{\circ}\text{C} \leq T_{opr} \leq 85 \text{ }^{\circ}\text{C}$	28.8	32	35.2	MHz
		$V_{CC} = 1.8 \text{ V to } 5.5 \text{ V}$ $-40 \text{ }^{\circ}\text{C} \leq T_{opr} \leq 85 \text{ }^{\circ}\text{C}$	28.8	32	35.2	
—	Oscillation stability time	$V_{CC} = 5.0 \text{ V}$, $T_{opr} = 25 \text{ }^{\circ}\text{C}$	—	0.5	3	ms
—	Self power consumption at oscillation	$V_{CC} = 5.0 \text{ V}$, $T_{opr} = 25 \text{ }^{\circ}\text{C}$	—	400	—	μA

Notes:

- $V_{CC} = 1.8$ to 5.5 V and $T_{opr} = -20$ to $85 \text{ }^{\circ}\text{C}$ (N version)/ -40 to $85 \text{ }^{\circ}\text{C}$ (D version), unless otherwise specified.
- This enables the setting errors of bit rates such as 9600 bps and 38400 bps to be 0% when the serial interface is used in UART mode.

Table 5.13 Low-speed On-Chip Oscillator Circuit Electrical Characteristics

Symbol	Parameter	Condition	Standard			Unit
			Min.	Typ.	Max.	
fOCO-S	Low-speed on-chip oscillator frequency		60	125	250	kHz
—	Oscillation stability time	$V_{CC} = 5.0 \text{ V}$, $T_{opr} = 25 \text{ }^{\circ}\text{C}$	—	30	100	μs
—	Self power consumption at oscillation	$V_{CC} = 5.0 \text{ V}$, $T_{opr} = 25 \text{ }^{\circ}\text{C}$	—	2	—	μA

Note:

- $V_{CC} = 1.8$ to 5.5 V and $T_{opr} = -20$ to $85 \text{ }^{\circ}\text{C}$ (N version)/ -40 to $85 \text{ }^{\circ}\text{C}$ (D version), unless otherwise specified.

Table 5.14 Power Supply Circuit Timing Characteristics

Symbol	Parameter	Condition	Standard			Unit
			Min.	Typ.	Max.	
$t_{d(P-R)}$	Time for internal power supply stabilization during power-on ⁽²⁾		—	—	2,000	μs

Notes:

- The measurement condition is $V_{CC} = 1.8$ to 5.5 V and $T_{opr} = 25 \text{ }^{\circ}\text{C}$.
- Waiting time until the internal power supply generation circuit stabilizes during power-on.

Table 5.15 Timing Requirements of Synchronous Serial Communication Unit (SSU)

Symbol	Parameter		Conditions	Standard			Unit
				Min.	Typ.	Max.	
tsucyc	SSCK clock cycle time			4	—	—	tcyc (2)
tHI	SSCK clock "H" width			0.4	—	0.6	tsucyc
tLO	SSCK clock "L" width			0.4	—	0.6	tsucyc
tRISE	SSCK clock rising time	Master		—	—	1	tcyc (2)
		Slave		—	—	1	μs
tFALL	SSCK clock falling time	Master		—	—	1	tcyc (2)
		Slave		—	—	1	μs
tsu	SSO, SSI data input setup time			100	—	—	ns
tH	SSO, SSI data input hold time			1	—	—	tcyc (2)
tLEAD	SCS setup time	Slave		1tcyc + 50	—	—	ns
tLAG	SCS hold time	Slave		1tcyc + 50	—	—	ns
tOD	SSO, SSI data output delay time			—	—	1	tcyc (2)
tSA	SSI slave access time		2.7 V ≤ Vcc ≤ 5.5 V	—	—	1.5tcyc + 100	ns
			1.8 V ≤ Vcc < 2.7 V	—	—	1.5tcyc + 200	ns
tOR	SSI slave out open time		2.7 V ≤ Vcc ≤ 5.5 V	—	—	1.5tcyc + 100	ns
			1.8 V ≤ Vcc < 2.7 V	—	—	1.5tcyc + 200	ns

Notes:

1. Vcc = 1.8 to 5.5 V, Vss = 0 V, and Topr = -20 to 85 °C (N version)/-40 to 85 °C (D version), unless otherwise specified.
2. 1tcyc = 1/f1(s)

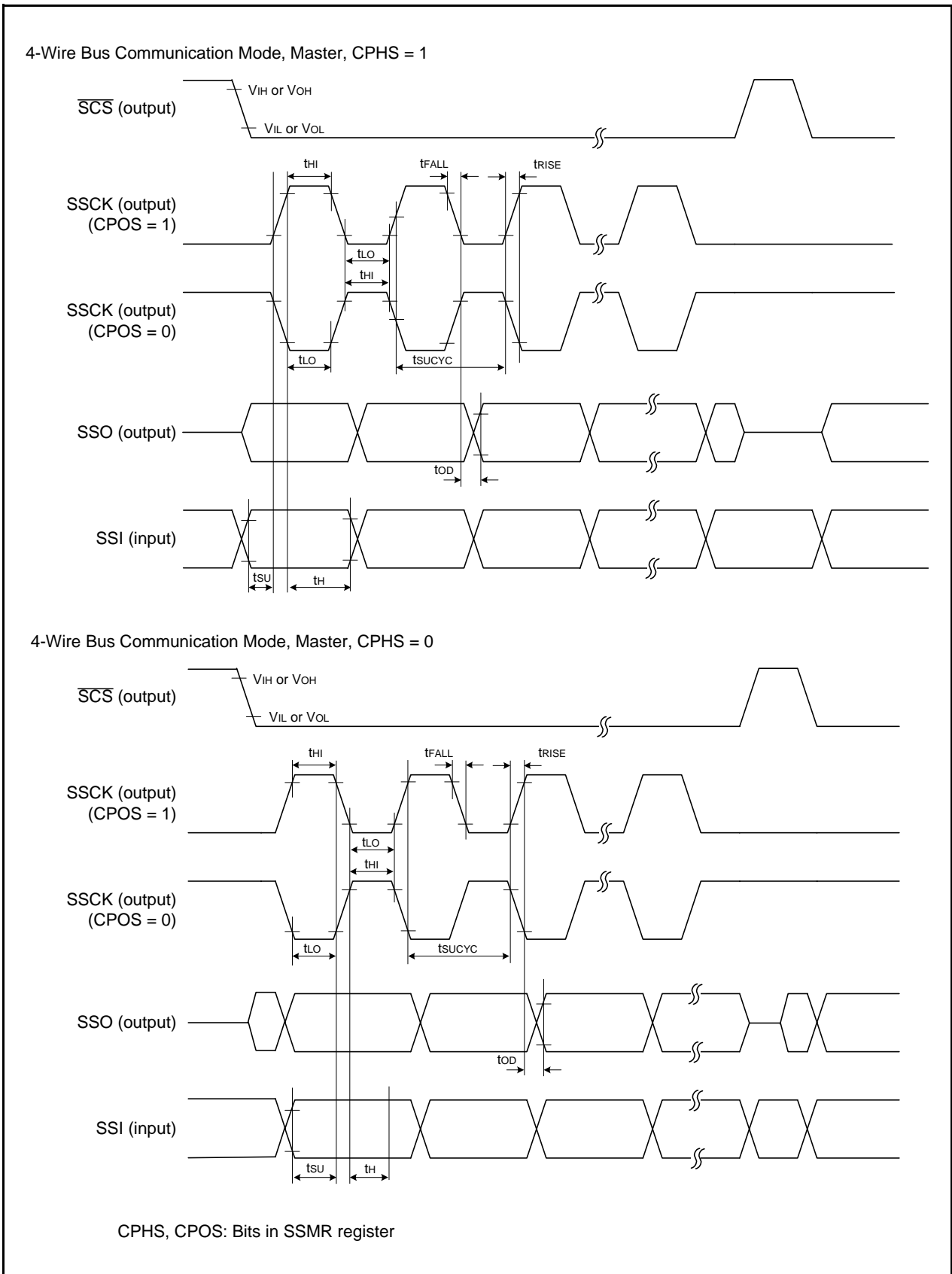


Figure 5.6 I/O Timing of Synchronous Serial Communication Unit (SSU) (Master)

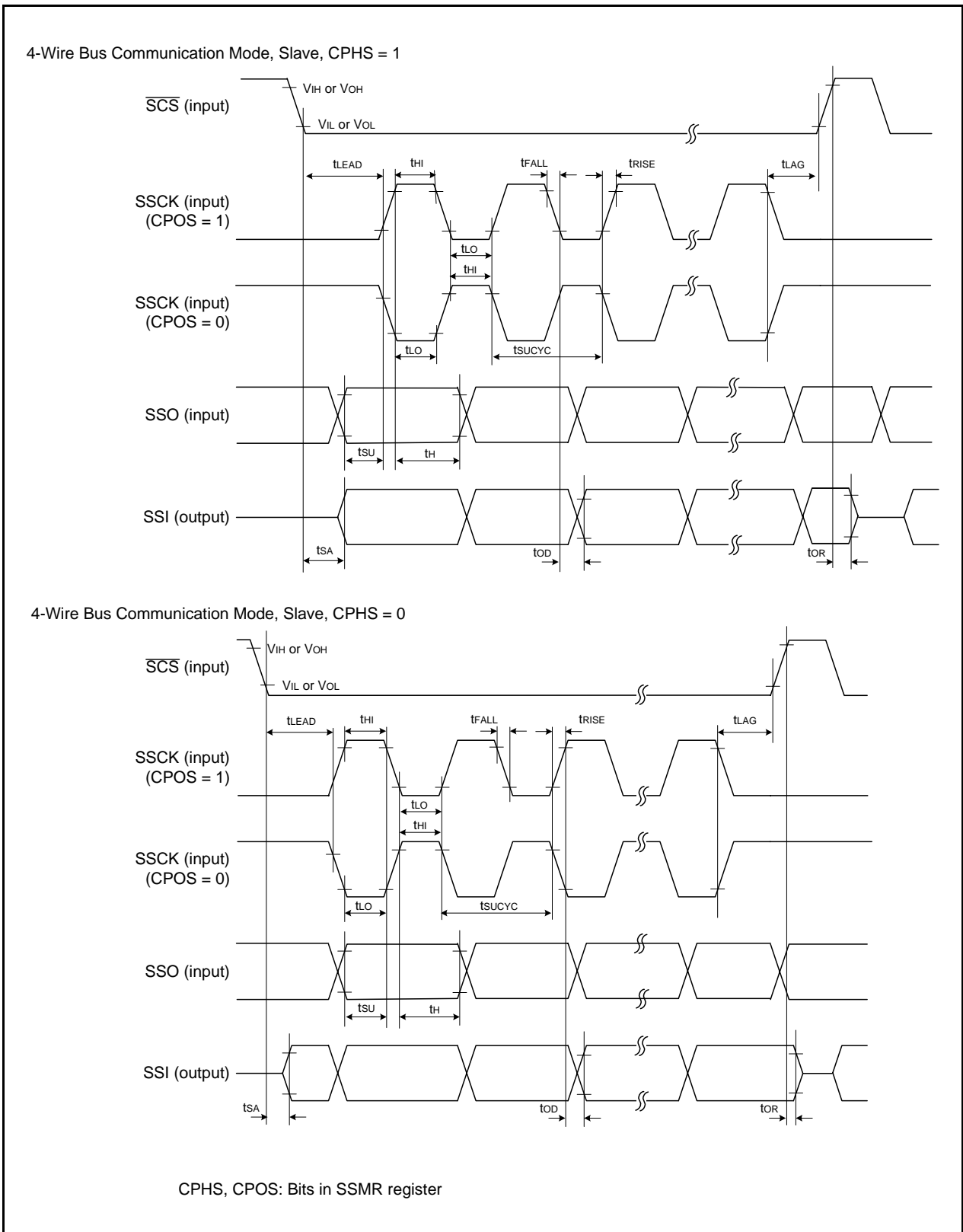


Figure 5.7 I/O Timing of Synchronous Serial Communication Unit (SSU) (Slave)

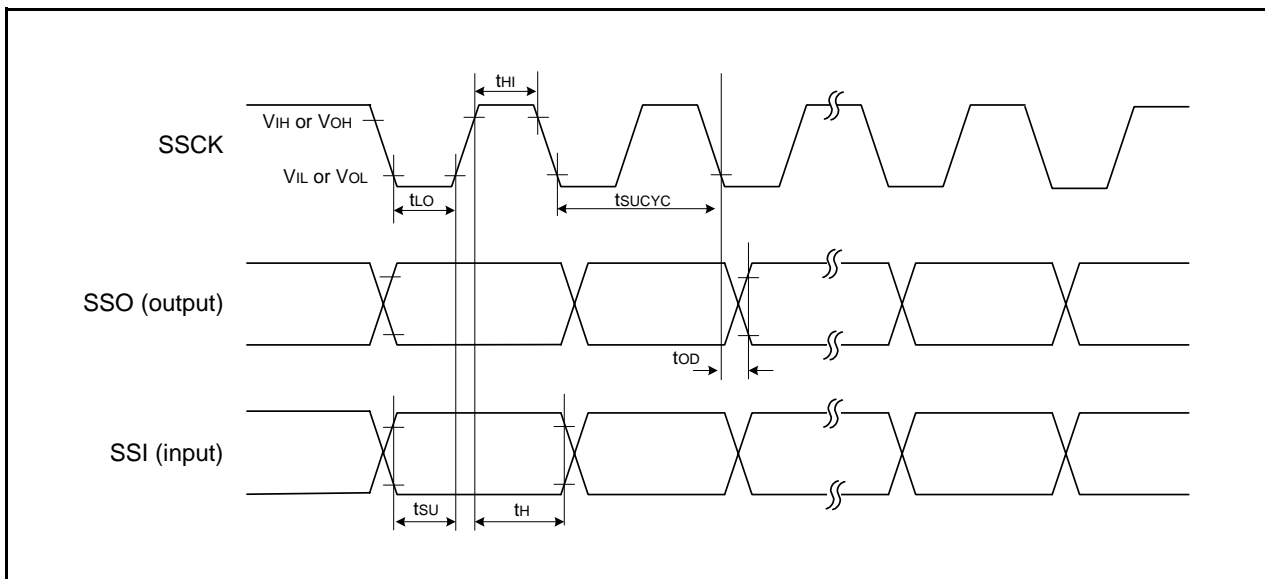


Figure 5.8 I/O Timing of Synchronous Serial Communication Unit (SSU) (Clock Synchronous Communication Mode)

Table 5.16 Timing Requirements of I²C bus Interface

Symbol	Parameter	Condition	Standard			Unit
			Min.	Typ.	Max.	
t _{SCL}	SCL input cycle time		12t _{cyc} + 600 ⁽²⁾	—	—	ns
t _{SCLH}	SCL input "H" width		3t _{cyc} + 300 ⁽²⁾	—	—	ns
t _{SCLL}	SCL input "L" width		5t _{cyc} + 500 ⁽²⁾	—	—	ns
t _{sf}	SCL, SDA input fall time		—	—	300	ns
t _{SP}	SCL, SDA input spike pulse rejection time		—	—	1t _{cyc} ⁽²⁾	ns
t _{BUF}	SDA input bus-free time		5t _{cyc} ⁽²⁾	—	—	ns
t _{STAH}	Start condition input hold time		3t _{cyc} ⁽²⁾	—	—	ns
t _{STAS}	Retransmit start condition input setup time		3t _{cyc} ⁽²⁾	—	—	ns
t _{STOP}	Stop condition input setup time		3t _{cyc} ⁽²⁾	—	—	ns
t _{SDAS}	Data input setup time		1t _{cyc} + 40 ⁽²⁾	—	—	ns
t _{SDAH}	Data input hold time		10	—	—	ns

Notes:

1. V_{CC} = 1.8 to 5.5 V, V_{SS} = 0 V, and T_{opr} = -20 to 85 °C (N version)/-40 to 85 °C (D version), unless otherwise specified.
2. 1t_{cyc} = 1/f₁(s)

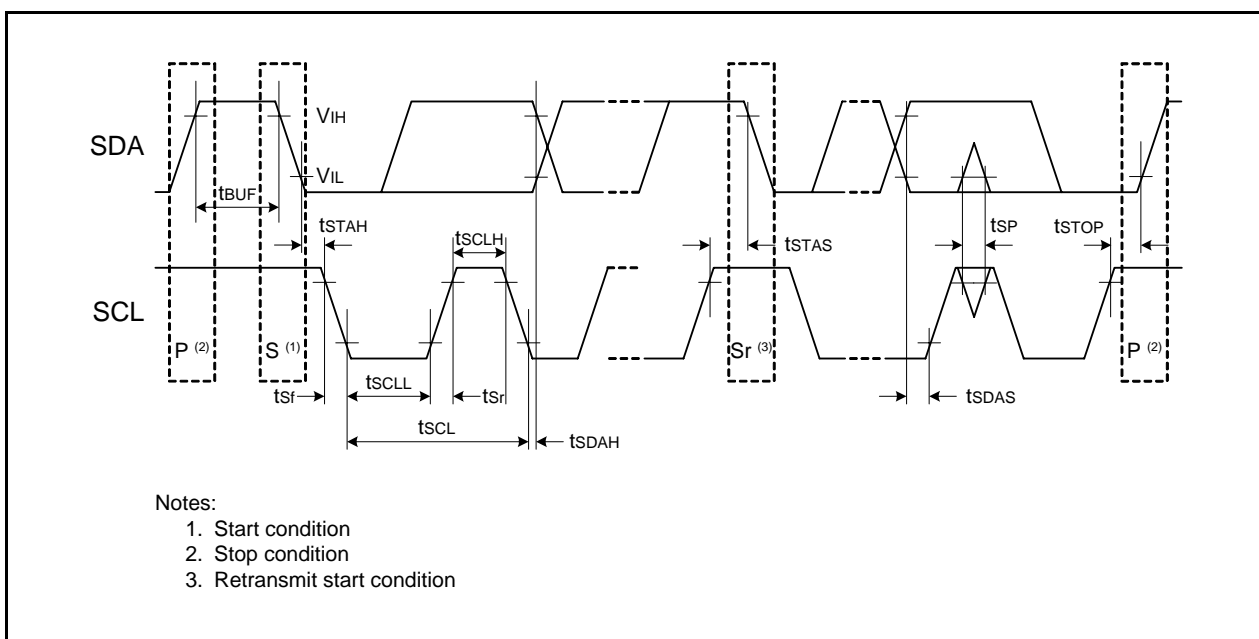


Figure 5.9 I/O Timing of I²C bus Interface

Table 5.17 Electrical Characteristics (1) [4.2 V ≤ V_{CC} ≤ 5.5 V]

Symbol	Parameter		Condition		Standard			Unit
					Min.	Typ.	Max.	
V _{OH}	Output "H" voltage	Other than XOUT	Drive capacity High V _{CC} = 5 V	I _{OH} = -20 mA	V _{CC} - 2.0	—	V _{CC}	V
			Drive capacity Low V _{CC} = 5 V	I _{OH} = -5 mA	V _{CC} - 2.0	—	V _{CC}	V
		XOUT	V _{CC} = 5 V	I _{OH} = -200 μA	1.0	—	V _{CC}	V
V _{OL}	Output "L" voltage	Other than XOUT	Drive capacity High V _{CC} = 5 V	I _{OL} = 20 mA	—	—	2.0	V
			Drive capacity Low V _{CC} = 5 V	I _{OL} = 5 mA	—	—	2.0	V
		XOUT	V _{CC} = 5 V	I _{OL} = 200 μA	—	—	0.5	V
V _{T+} -V _{T-}	Hysteresis	INT0, INT1, INT2, INT3, INT4, KI0, KI1, KI2, KI3, TRAIO, TRCIOA, TRCIOB, TRCIOC, TRCIOD, TRFI, USB_VBUS, TRCTRG, TRCCLK, ADTRG, RXD0, RXD1, RXD2, RXD3, CLK0, CLK1, CLK2, CLK3, CTS2, SSI, SCL, SDA, SSO, SSCK, SCS			0.1	1.2	—	V
		RESET			0.1	1.2	—	V
I _{IH}	Input "H" current		V _I = 5 V, V _{CC} = 5.0 V		—	—	5.0	μA
I _{IL}	Input "L" current		V _I = 0 V, V _{CC} = 5.0 V		—	—	-5.0	μA
R _{PULLUP}	Pull-up resistance		V _I = 0 V, V _{CC} = 5.0 V		25	50	100	kΩ
R _{fXIN}	Feedback resistance	XIN			—	0.3	—	MΩ
V _{RAM}	RAM hold voltage		During stop mode		1.8	—	—	V

Note:

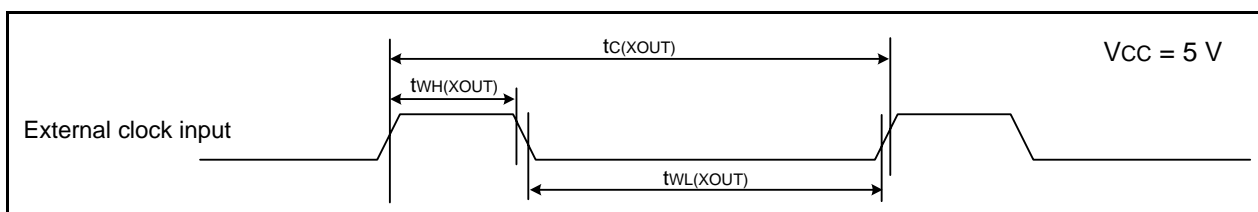
- 4.2 V ≤ V_{CC} ≤ 5.5 V, T_{opr} = -20 to 85 °C (N version)/-40 to 85 °C (D version), and f(XIN) = 20 MHz, unless otherwise specified.

Table 5.18 Electrical Characteristics (2) [3.3 V ≤ Vcc ≤ 5.5 V]
(T_{opr} = -20 to 85 °C (N version)/-40 to 85 °C (D version), unless otherwise specified.)

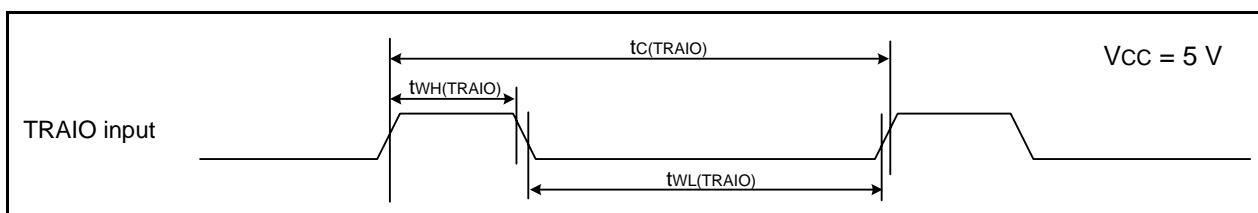
Symbol	Parameter	Condition	Standard			Unit	
			Min.	Typ.	Max.		
I _{cc}	Power supply current (V _{cc} = 3.3 to 5.5 V) Single-chip mode, output pins are open, other pins are V _{ss}	High-speed clock mode	XIN = 20 MHz (square wave) High-speed on-chip oscillator off Low-speed on-chip oscillator on = 125 kHz No division	—	6.5	15	mA
			XIN = 16 MHz (square wave) High-speed on-chip oscillator off Low-speed on-chip oscillator on = 125 kHz No division	—	5.3	12.5	mA
			XIN = 10 MHz (square wave) High-speed on-chip oscillator off Low-speed on-chip oscillator on = 125 kHz No division	—	3.6	—	mA
			XIN = 20 MHz (square wave) High-speed on-chip oscillator off Low-speed on-chip oscillator on = 125 kHz Divide-by-8	—	3.0	—	mA
			XIN = 16 MHz (square wave) High-speed on-chip oscillator off Low-speed on-chip oscillator on = 125 kHz Divide-by-8	—	2.2	—	mA
			XIN = 10 MHz (square wave) High-speed on-chip oscillator off Low-speed on-chip oscillator on = 125 kHz Divide-by-8	—	1.5	—	mA
			XIN clock off High-speed on-chip oscillator on f _{OCO-F} = 20 MHz Low-speed on-chip oscillator on = 125 kHz No division	—	7.0	15	mA
		High-speed on-chip oscillator mode	XIN clock off High-speed on-chip oscillator on f _{OCO-F} = 20 MHz Low-speed on-chip oscillator on = 125 kHz Divide-by-8	—	3.0	—	mA
			XIN clock off High-speed on-chip oscillator on f _{OCO-F} = 4 MHz Low-speed on-chip oscillator on = 125 kHz Divide-by-16, MSTIIC = MSTTRC = 1	—	1	—	mA
			XIN clock off High-speed on-chip oscillator off Low-speed on-chip oscillator on = 125 kHz Divide-by-8, FMR27 = 1, VCA20 = 0	—	90	400	μA
		Low-speed on-chip oscillator mode	XIN clock off High-speed on-chip oscillator off Low-speed on-chip oscillator on = 125 kHz Divide-by-8, FMR27 = 1, VCA20 = 0	—	90	400	μA
		Wait mode	XIN clock off High-speed on-chip oscillator off Low-speed on-chip oscillator on = 125 kHz While a WAIT instruction is executed Peripheral clock operation VCA27 = VCA26 = VCA25 = 0, VCA20 = 1	—	15	100	μA
			XIN clock off High-speed on-chip oscillator off Low-speed on-chip oscillator on = 125 kHz While a WAIT instruction is executed Peripheral clock off VCA27 = VCA26 = VCA25 = 0, VCA20 = 1	—	4	90	μA
			XIN clock off High-speed on-chip oscillator off Low-speed on-chip oscillator off While a WAIT instruction is executed VCA27 = VCA26 = VCA25 = 0, VCA20 = 1	—	3.5	—	μA
			XIN clock off, T _{opr} = 25 °C High-speed on-chip oscillator off Low-speed on-chip oscillator off CM10 = 1 Peripheral clock off VCA27 = VCA26 = VCA25 = 0	—	2.0	5.0	μA
		Stop mode	XIN clock off, T _{opr} = 85 °C High-speed on-chip oscillator off Low-speed on-chip oscillator off CM10 = 1 Peripheral clock off VCA27 = VCA26 = VCA25 = 0	—	15	—	μA

Timing Requirements (Unless Otherwise Specified: $V_{CC} = 5\text{ V}$, $V_{SS} = 0\text{ V}$, $T_{opr} = 25\text{ }^{\circ}\text{C}$)**Table 5.19 External Clock Input (XOUT)**

Symbol	Parameter	Standard		Unit
		Min.	Max.	
$t_c(\text{XOUT})$	XOUT input cycle time	50	—	ns
$t_{WH}(\text{XOUT})$	XOUT input "H" width	24	—	ns
$t_{WL}(\text{XOUT})$	XOUT input "L" width	24	—	ns

**Figure 5.10 External Clock Input Timing Diagram when $V_{CC} = 5\text{ V}$** **Table 5.20 TRAI0 Input**

Symbol	Parameter	Standard		Unit
		Min.	Max.	
$t_c(\text{TRAI0})$	TRAI0 input cycle time	100	—	ns
$t_{WH}(\text{TRAI0})$	TRAI0 input "H" width	40	—	ns
$t_{WL}(\text{TRAI0})$	TRAI0 input "L" width	40	—	ns

**Figure 5.11 TRAI0 Input Timing Diagram when $V_{CC} = 5\text{ V}$** **Table 5.21 TRFI Input**

Symbol	Parameter	Standard		Unit
		Min.	Max.	
$t_c(\text{TRFI})$	TRFI input cycle time	400 (1)	—	ns
$t_{WH}(\text{TRFI})$	TRFI input "H" width	200 (2)	—	ns
$t_{WL}(\text{TRFI})$	TRFI input "L" width	200 (2)	—	ns

Notes:

1. When using timer RF input capture mode, adjust the cycle time to $(1/\text{timer RF count source frequency} \times 3)$ or above.
2. When using timer RF input capture mode, adjust the pulse width to $(1/\text{timer RF count source frequency} \times 1.5)$ or above.

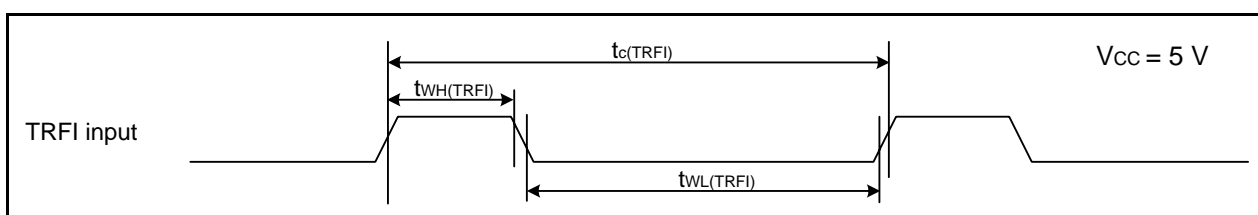
**Figure 5.12 TRFI Input Timing Diagram when $V_{CC} = 5\text{ V}$**

Table 5.22 Serial Interface

Symbol	Parameter	Standard		Unit
		Min.	Max.	
$t_{c(CK)}$	CLKi input cycle time	200	—	ns
$t_{w(CKH)}$	CLKi input “H” width	100	—	ns
$t_{w(CKL)}$	CLKi input “L” width	100	—	ns
$t_{d(C-Q)}$	TXDi output delay time	—	50	ns
$t_{h(C-Q)}$	TXDi hold time	0	—	ns
$t_{su(D-C)}$	RXDi input setup time	50	—	ns
$t_{h(C-D)}$	RXDi input hold time	90	—	ns

$i = 0$ to 3

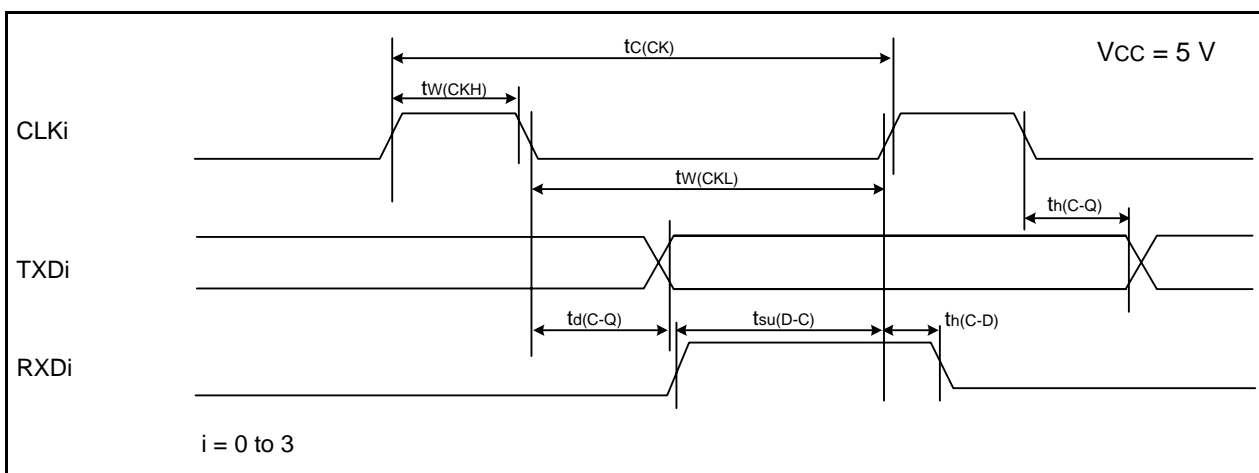


Figure 5.13 Serial Interface Timing Diagram when Vcc = 5 V

Table 5.23 External Interrupt \overline{INTi} ($i = 0$ to 4) Input, Key Input Interrupt \overline{Kli} ($i = 0$ to 3)

Symbol	Parameter	Standard		Unit
		Min.	Max.	
$t_{w(INH)}$	\overline{INTi} input “H” width, \overline{Kli} input “H” width	250 (1)	—	ns
$t_{w(INL)}$	\overline{INTi} input “L” width, \overline{Kli} input “L” width	250 (2)	—	ns

Notes:

1. When selecting the digital filter by the \overline{INTi} input filter select bit, use an \overline{INTi} input HIGH width of either (1/digital filter clock frequency \times 3) or the minimum value of standard, whichever is greater.
2. When selecting the digital filter by the \overline{INTi} input filter select bit, use an \overline{INTi} input LOW width of either (1/digital filter clock frequency \times 3) or the minimum value of standard, whichever is greater.

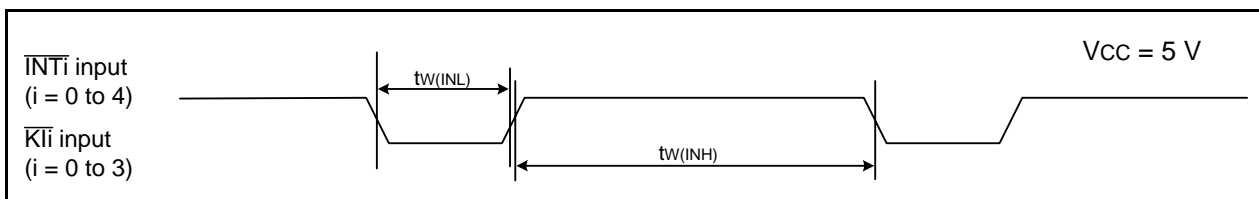


Figure 5.14 Input Timing Diagram for External Interrupt \overline{INTi} and Key Input Interrupt \overline{Kli} when Vcc = 5 V

Table 5.24 Electrical Characteristics (3) [$2.7\text{ V} \leq V_{CC} < 4.2\text{ V}$]

Symbol	Parameter		Condition		Standard			Unit
					Min.	Typ.	Max.	
V _{OH}	Output "H" voltage	Other than XOUT	Drive capacity High	I _{OH} = -5 mA	V _{CC} - 0.5	—	V _{CC}	V
			Drive capacity Low	I _{OH} = -1 mA	V _{CC} - 0.5	—	V _{CC}	V
		XOUT	I _{OH} = -200 μA	1.0	—	V _{CC}	V	
V _{OL}	Output "L" voltage	Other than XOUT	Drive capacity High	I _{OL} = 5 mA	—	—	0.5	V
			Drive capacity Low	I _{OL} = 1 mA	—	—	0.5	V
		XOUT	I _{OL} = 200 μA	—	—	0.5	V	
V _{T+} -V _{T-}	Hysteresis	$\overline{\text{INT0}}, \overline{\text{INT1}}, \overline{\text{INT2}},$ $\overline{\text{INT3}}, \overline{\text{INT4}},$ $\overline{\text{K10}}, \overline{\text{K11}}, \overline{\text{K12}}, \overline{\text{K13}},$ $\overline{\text{TRAI0}}, \overline{\text{TRCIOA}},$ $\overline{\text{TRCIOB}}, \overline{\text{TRCIOC}},$ $\overline{\text{TRCIOD}}, \overline{\text{TRFI}},$ $\overline{\text{USB_VBUS}},$ $\overline{\text{TRCTRG}}, \overline{\text{TRCCLK}},$ $\overline{\text{ADTRG}}, \overline{\text{RXD0}},$ $\overline{\text{RXD1}}, \overline{\text{RXD2}}, \overline{\text{RXD3}},$ $\overline{\text{CLK0}}, \overline{\text{CLK1}}, \overline{\text{CLK2}},$ $\overline{\text{CLK3}}, \overline{\text{CTS2}}, \overline{\text{SSI}},$ $\overline{\text{SCL}}, \overline{\text{SDA}}, \overline{\text{SSO}},$ $\overline{\text{SSCK}}, \overline{\text{SCS}}$	V _{CC} = 3.0 V		0.1	0.4	—	V
		RESET	V _{CC} = 3.0 V		0.1	0.5	—	V
I _{IH}	Input "H" current		V _I = 3 V, V _{CC} = 3.0 V		—	—	4.0	μA
I _{IL}	Input "L" current		V _I = 0 V, V _{CC} = 3.0 V		—	—	-4.0	μA
R _{PULLUP}	Pull-up resistance		V _I = 0 V, V _{CC} = 3.0 V		42	84	168	kΩ
R _{fXIN}	Feedback resistance	XIN			—	0.3	—	MΩ
V _{RAM}	RAM hold voltage		During stop mode		1.8	—	—	V

Note:

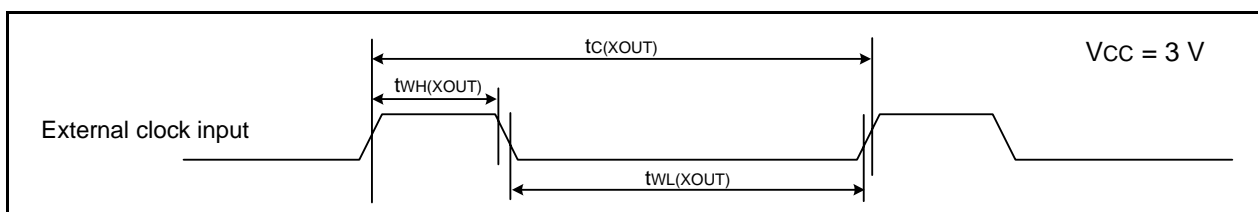
1. $2.7\text{ V} \leq V_{CC} < 4.2\text{ V}$, T_{opr} = -20 to 85 °C (N version)/-40 to 85 °C (D version), and f(XIN) = 10 MHz, unless otherwise specified.
2. $3.0\text{ V} \leq V_{CC} < 3.6\text{ V}$ for the USB associated pins.

Table 5.25 Electrical Characteristics (4) [$2.7\text{ V} \leq V_{CC} < 3.3\text{ V}$]
($T_{opr} = -20\text{ to }85\text{ }^{\circ}\text{C}$ (N version)/ $-40\text{ to }85\text{ }^{\circ}\text{C}$ (D version), unless otherwise specified.)

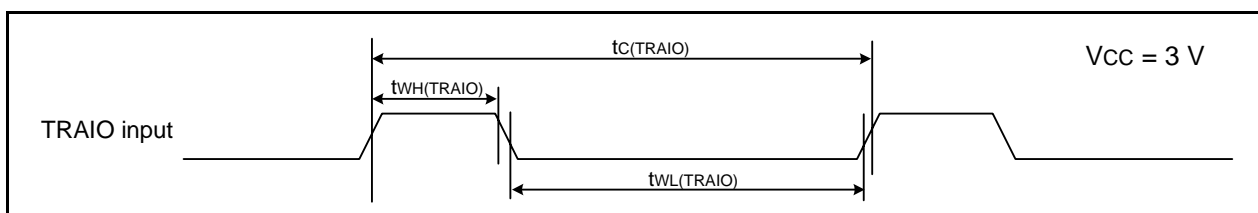
Symbol	Parameter	Condition	Standard			Unit	
			Min.	Typ.	Max.		
I _{CC}	Power supply current (V _{CC} = 2.7 to 3.3 V) Single-chip mode, output pins are open, other pins are V _{SS}	High-speed clock mode	XIN = 10 MHz (square wave) High-speed on-chip oscillator off Low-speed on-chip oscillator on = 125 kHz No division	—	3.5	10	mA
			XIN = 10 MHz (square wave) High-speed on-chip oscillator off Low-speed on-chip oscillator on = 125 kHz Divide-by-8	—	1.5	7.5	mA
		High-speed on-chip oscillator mode	XIN clock off High-speed on-chip oscillator on f _{OCO-F} = 20 MHz Low-speed on-chip oscillator on = 125 kHz No division	—	7.0	15	mA
			XIN clock off High-speed on-chip oscillator on f _{OCO-F} = 20 MHz Low-speed on-chip oscillator on = 125 kHz Divide-by-8	—	3.0	—	mA
			XIN clock off High-speed on-chip oscillator on f _{OCO-F} = 10 MHz Low-speed on-chip oscillator on = 125 kHz No division	—	4.0	—	mA
			XIN clock off High-speed on-chip oscillator on f _{OCO-F} = 10 MHz Low-speed on-chip oscillator on = 125 kHz Divide-by-8	—	1.5	—	mA
			XIN clock off High-speed on-chip oscillator on f _{OCO-F} = 4 MHz Low-speed on-chip oscillator on = 125 kHz Divide-by-16, MSTIIC = MSTTRC = 1	—	1	—	mA
		Low-speed on-chip oscillator mode	XIN clock off High-speed on-chip oscillator off Low-speed on-chip oscillator on = 125 kHz Divide-by-8, FMR27 = 1, VCA20 = 0	—	90	390	μA
		Wait mode	XIN clock off High-speed on-chip oscillator off Low-speed on-chip oscillator on = 125 kHz While a WAIT instruction is executed Peripheral clock operation VCA27 = VCA26 = VCA25 = 0, VCA20 = 1	—	15	90	μA
			XIN clock off High-speed on-chip oscillator off Low-speed on-chip oscillator on = 125 kHz While a WAIT instruction is executed Peripheral clock off VCA27 = VCA26 = VCA25 = 0, VCA20 = 1	—	4	80	μA
			XIN clock off High-speed on-chip oscillator off Low-speed on-chip oscillator off While a WAIT instruction is executed VCA27 = VCA26 = VCA25 = 0, VCA20 = 1	—	3.5	—	μA
		Stop mode	XIN clock off, T _{opr} = 25 °C High-speed on-chip oscillator off Low-speed on-chip oscillator off CM10 = 1 Peripheral clock off VCA27 = VCA26 = VCA25 = 0	—	2.0	5.0	μA
			XIN clock off, T _{opr} = 85 °C High-speed on-chip oscillator off Low-speed on-chip oscillator off CM10 = 1 Peripheral clock off VCA27 = VCA26 = VCA25 = 0	—	15	—	μA

Timing requirements (Unless Otherwise Specified: $V_{CC} = 3\text{ V}$, $V_{SS} = 0\text{ V}$, $T_{opr} = 25\text{ }^{\circ}\text{C}$)**Table 5.26 External Clock Input (XOUT)**

Symbol	Parameter	Standard		Unit
		Min.	Max.	
$t_c(\text{XOUT})$	XOUT input cycle time	50	—	ns
$t_{WH}(\text{XOUT})$	XOUT input "H" width	24	—	ns
$t_{WL}(\text{XOUT})$	XOUT input "L" width	24	—	ns

**Figure 5.15 External Clock Input Timing Diagram when $V_{CC} = 3\text{ V}$** **Table 5.27 TRAI0 Input**

Symbol	Parameter	Standard		Unit
		Min.	Max.	
$t_c(\text{TRAI0})$	TRAI0 input cycle time	300	—	ns
$t_{WH}(\text{TRAI0})$	TRAI0 input "H" width	120	—	ns
$t_{WL}(\text{TRAI0})$	TRAI0 input "L" width	120	—	ns

**Figure 5.16 TRAI0 Input Timing Diagram when $V_{CC} = 3\text{ V}$** **Table 5.28 TRFI Input**

Symbol	Parameter	Standard		Unit
		Min.	Max.	
$t_c(\text{TRFI})$	TRFI input cycle time	1200 (1)	—	ns
$t_{WH}(\text{TRFI})$	TRFI input "H" width	600 (2)	—	ns
$t_{WL}(\text{TRFI})$	TRFI input "L" width	600 (2)	—	ns

Notes:

1. When using timer RF input capture mode, adjust the cycle time to $(1/\text{timer RF count source frequency} \times 3)$ or above.
2. When using timer RF input capture mode, adjust the pulse width to $(1/\text{timer RF count source frequency} \times 1.5)$ or above.

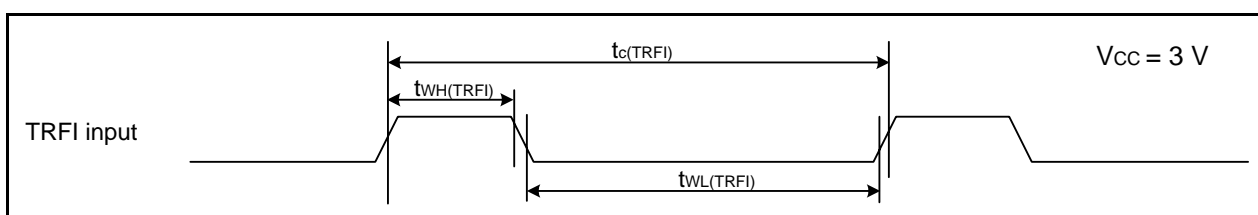
**Figure 5.17 TRFI Input Timing Diagram when $V_{CC} = 3\text{ V}$**

Table 5.29 Serial Interface

Symbol	Parameter	Standard		Unit
		Min.	Max.	
$t_{c(CK)}$	CLKi input cycle time	300	—	ns
$t_{w(CKH)}$	CLKi input “H” width	150	—	ns
$t_{w(CKL)}$	CLKi Input “L” width	150	—	ns
$t_{d(C-Q)}$	TXDi output delay time	—	80	ns
$t_{h(C-Q)}$	TXDi hold time	0	—	ns
$t_{su(D-C)}$	RXDi input setup time	70	—	ns
$t_{h(C-D)}$	RXDi input hold time	90	—	ns

$i = 0$ to 3

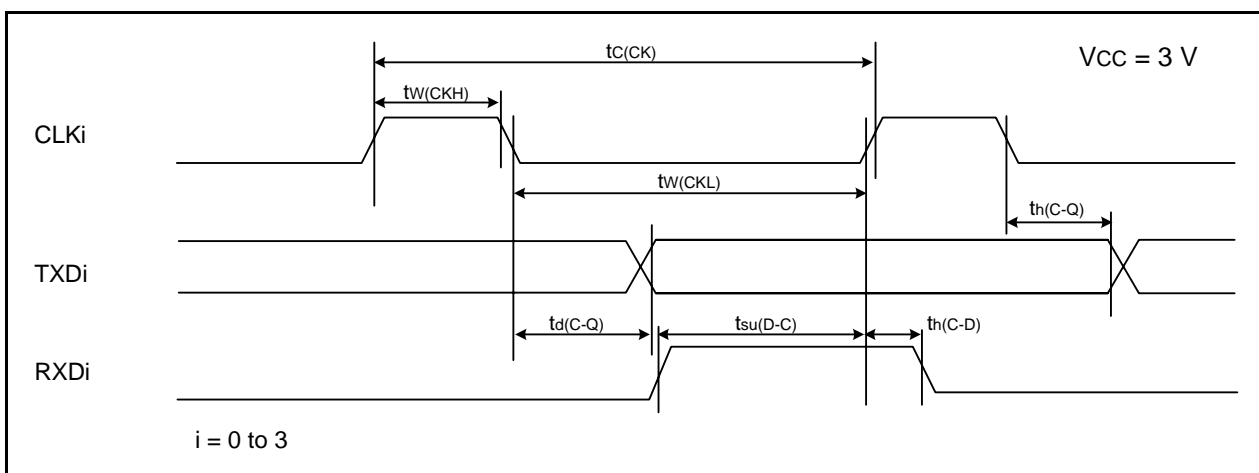


Figure 5.18 Serial Interface Timing Diagram when VCC = 3 V

Table 5.30 External Interrupt \overline{INTi} ($i = 0$ to 4) Input, Key Input Interrupt \overline{Kli} ($i = 0$ to 3)

Symbol	Parameter	Standard		Unit
		Min.	Max.	
$t_{w(INH)}$	\overline{INTi} input “H” width, \overline{Kli} input “H” width	380 (1)	—	ns
$t_{w(INL)}$	\overline{INTi} input “L” width, \overline{Kli} input “L” width	380 (2)	—	ns

Notes:

1. When selecting the digital filter by the \overline{INTi} input filter select bit, use an \overline{INTi} input HIGH width of either (1/digital filter clock frequency \times 3) or the minimum value of standard, whichever is greater.
2. When selecting the digital filter by the \overline{INTi} input filter select bit, use an \overline{INTi} input LOW width of either (1/digital filter clock frequency \times 3) or the minimum value of standard, whichever is greater.

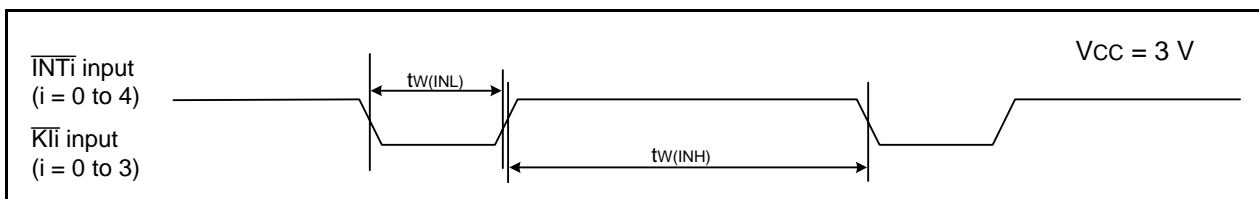


Figure 5.19 Input Timing Diagram for External Interrupt \overline{INTi} and Key Input Interrupt \overline{Kli} when VCC = 3 V

Table 5.31 Electrical Characteristics (5) [1.8 V ≤ V_{CC} < 2.7 V]

Symbol	Parameter		Condition		Standard			Unit
					Min.	Typ.	Max.	
V _{OH}	Output "H" voltage	Other than XOUT	Drive capacity High	I _{OH} = -2 mA	V _{CC} - 0.5	—	V _{CC}	V
			Drive capacity Low	I _{OH} = -1 mA	V _{CC} - 0.5	—	V _{CC}	V
		XOUT		I _{OH} = -200 μA	1.0	—	V _{CC}	V
V _{OL}	Output "L" voltage	Other than XOUT	Drive capacity High	I _{OL} = 2 mA	—	—	0.5	V
			Drive capacity Low	I _{OL} = 1 mA	—	—	0.5	V
		XOUT		I _{OL} = 200 μA	—	—	0.5	V
V _{T+} -V _{T-}	Hysteresis	$\overline{\text{NT0}}, \overline{\text{INT1}}, \overline{\text{INT2}}, \overline{\text{INT3}}, \overline{\text{INT4}},$ $\overline{\text{KI0}}, \overline{\text{KI1}}, \overline{\text{KI2}}, \overline{\text{KI3}},$ $\overline{\text{TRAIO}}, \overline{\text{TRCIOA}},$ $\overline{\text{TRCIOB}}, \overline{\text{TRCIOC}},$ $\overline{\text{TRCIOD}}, \overline{\text{TRFI}},$ $\overline{\text{TRCTRG}}, \overline{\text{TRCCLK}},$ $\overline{\text{ADTRG}}, \overline{\text{RXD0}},$ $\overline{\text{RXD1}}, \overline{\text{RXD2}}, \overline{\text{RXD3}},$ $\overline{\text{CLK0}}, \overline{\text{CLK1}}, \overline{\text{CLK2}},$ $\overline{\text{CLK3}}, \overline{\text{CTS2}}, \overline{\text{SSI}},$ $\overline{\text{SCL}}, \overline{\text{SDA}}, \overline{\text{SSO}},$ $\overline{\text{SSCK}}, \overline{\text{SCS}}$			0.05	0.20	—	V
		RESET			0.05	0.20	—	V
I _{IH}	Input "H" current		V _I = 2.2 V, V _{CC} = 2.2 V		—	—	4.0	μA
I _{IL}	Input "L" current		V _I = 0 V, V _{CC} = 2.2 V		—	—	-4.0	μA
R _{PULLUP}	Pull-up resistance		V _I = 0 V, V _{CC} = 2.2 V		70	140	300	kΩ
R _{iXIN}	Feedback resistance	XIN			—	0.3	—	MΩ
V _{RAM}	RAM hold voltage		During stop mode		1.8	—	—	V

Note:

- 1.8 V ≤ V_{CC} < 2.7 V, T_{opr} = -20 to 85 °C (N version)/-40 to 85 °C (D version), and f(XIN) = 5 MHz, unless otherwise specified.

**Table 5.32 Electrical Characteristics (6) [$1.8\text{ V} \leq V_{CC} < 2.7\text{ V}$]
($T_{opr} = -20\text{ to }85\text{ }^{\circ}\text{C}$ (N version)/ $-40\text{ to }85\text{ }^{\circ}\text{C}$ (D version), unless otherwise specified.)**

Symbol	Parameter	Condition	Standard			Unit	
			Min.	Typ.	Max.		
I _{CC}	Power supply current (V _{CC} = 1.8 to 2.7 V) Single-chip mode, output pins are open, other pins are V _{SS}	High-speed clock mode	XIN = 5 MHz (square wave) High-speed on-chip oscillator off Low-speed on-chip oscillator on = 125 kHz No division	—	2.2	—	mA
			XIN = 5 MHz (square wave) High-speed on-chip oscillator off Low-speed on-chip oscillator on = 125 kHz Divide-by-8	—	0.8	—	mA
		High-speed on-chip oscillator mode	XIN clock off High-speed on-chip oscillator on f _{OCO-F} = 5 MHz Low-speed on-chip oscillator on = 125 kHz No division	—	2.5	10	mA
			XIN clock off High-speed on-chip oscillator on f _{OCO-F} = 5 MHz Low-speed on-chip oscillator on = 125 kHz Divide-by-8	—	1.7	—	mA
			XIN clock off High-speed on-chip oscillator on f _{OCO-F} = 4 MHz Low-speed on-chip oscillator on = 125 kHz Divide-by-16, MSTIIC = MSTTRC = 1	—	1	—	mA
		Low-speed on-chip oscillator mode	XIN clock off High-speed on-chip oscillator off Low-speed on-chip oscillator on = 125 kHz Divide-by-8, FMR27 = 1, VCA20 = 0	—	90	300	μA
		Wait mode	XIN clock off High-speed on-chip oscillator off Low-speed on-chip oscillator on = 125 kHz While a WAIT instruction is executed Peripheral clock operation VCA27 = VCA26 = VCA25 = 0, VCA20 = 1	—	15	90	μA
			XIN clock off High-speed on-chip oscillator off Low-speed on-chip oscillator on = 125 kHz While a WAIT instruction is executed Peripheral clock off VCA27 = VCA26 = VCA25 = 0, VCA20 = 1	—	4	80	μA
			XIN clock off High-speed on-chip oscillator off Low-speed on-chip oscillator off While a WAIT instruction is executed VCA27 = VCA26 = VCA25 = 0, VCA20 = 1	—	3.5	—	μA
		Stop mode	XIN clock off, T _{opr} = 25 °C High-speed on-chip oscillator off Low-speed on-chip oscillator off CM10 = 1 Peripheral clock off VCA27 = VCA26 = VCA25 = 0	—	2.0	5	μA
			XIN clock off, T _{opr} = 85 °C High-speed on-chip oscillator off Low-speed on-chip oscillator off CM10 = 1 Peripheral clock off VCA27 = VCA26 = VCA25 = 0	—	15	—	μA

Timing requirements (Unless Otherwise Specified: Vcc = 2.2 V, Vss = 0 V, Topr = 25 °C)

Table 5.33 External Clock Input (XOUT)

Symbol	Parameter	Standard		Unit
		Min.	Max.	
tc(XOUT)	XOUT input cycle time	200	—	ns
tWH(XOUT)	XOUT input "H" width	90	—	ns
tWL(XOUT)	XOUT input "L" width	90	—	ns

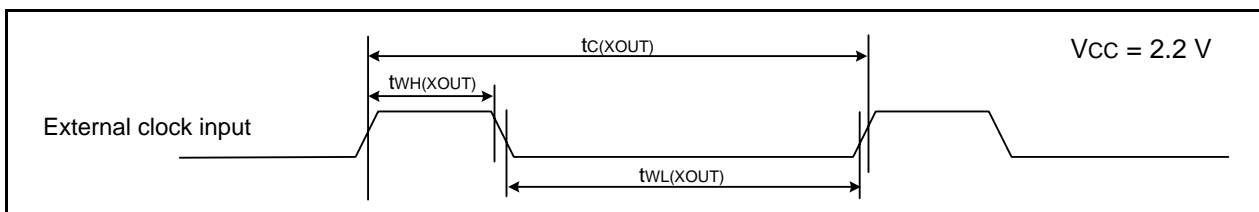


Figure 5.20 External Clock Input Timing Diagram when Vcc = 2.2 V

Table 5.34 TRAI0 Input

Symbol	Parameter	Standard		Unit
		Min.	Max.	
tc(TRAI0)	TRAI0 input cycle time	500	—	ns
tWH(TRAI0)	TRAI0 input "H" width	200	—	ns
tWL(TRAI0)	TRAI0 input "L" width	200	—	ns

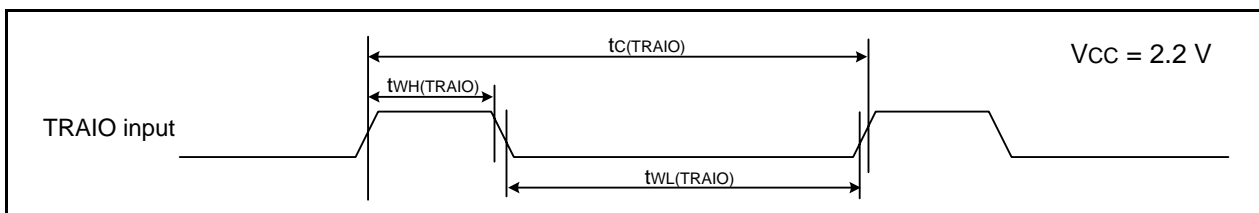


Figure 5.21 TRAI0 Input Timing Diagram when Vcc = 2.2 V

Table 5.35 TRFI Input

Symbol	Parameter	Standard		Unit
		Min.	Max.	
tc(TRFI)	TRFI input cycle time	2000 (1)	—	ns
tWH(TRFI)	TRFI input "H" width	1000 (2)	—	ns
tWL(TRFI)	TRFI input "L" width	1000 (2)	—	ns

Notes:

1. When using timer RF input capture mode, adjust the cycle time to (1/timer RF count source frequency × 3) or above.
2. When using timer RF input capture mode, adjust the pulse width to (1/timer RF count source frequency × 1.5) or above.

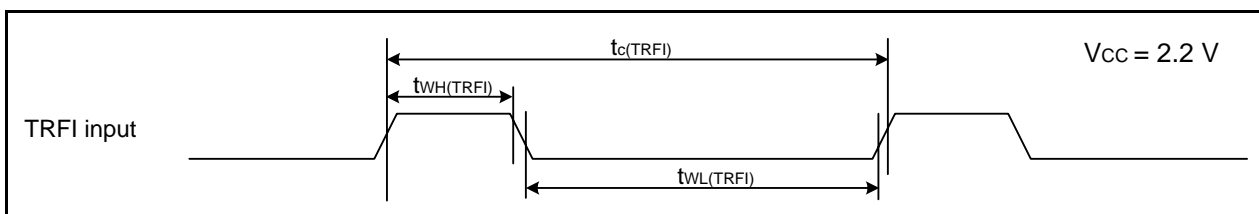


Figure 5.22 TRFI Input Timing Diagram when Vcc = 2.2 V

Table 5.36 Serial Interface

Symbol	Parameter	Standard		Unit
		Min.	Max.	
$t_{c(CK)}$	CLKi input cycle time	800	—	ns
$t_{w(CKH)}$	CLKi input "H" width	400	—	ns
$t_{w(CKL)}$	CLKi input "L" width	400	—	ns
$t_{d(C-Q)}$	TXDi output delay time	—	200	ns
$t_{h(C-Q)}$	TXDi hold time	0	—	ns
$t_{su(D-C)}$	RXDi input setup time	150	—	ns
$t_{h(C-D)}$	RXDi input hold time	90	—	ns

$i = 0$ to 3

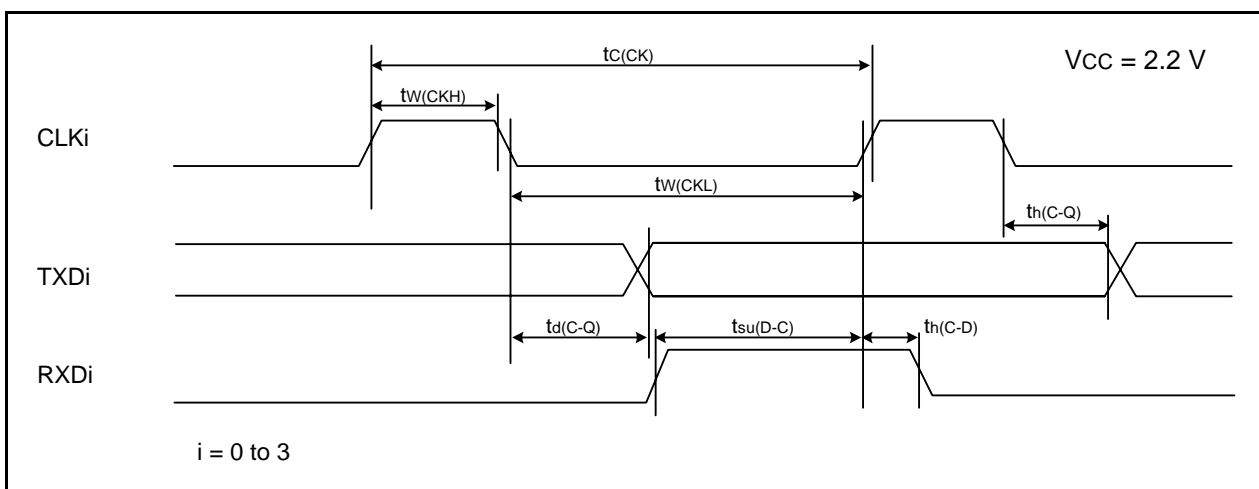


Figure 5.23 Serial Interface Timing Diagram when Vcc = 2.2 V

Table 5.37 External Interrupt \overline{INTi} ($i = 0$ to 4) Input, Key Input Interrupt \overline{Kli} ($i = 0$ to 3)

Symbol	Parameter	Standard		Unit
		Min.	Max.	
$t_{w(INH)}$	\overline{INTi} input "H" width, \overline{Kli} input "H" width	1000 (1)	—	ns
$t_{w(INL)}$	\overline{INTi} input "L" width, \overline{Kli} input "L" width	1000 (2)	—	ns

Notes:

1. When selecting the digital filter by the \overline{INTi} input filter select bit, use an \overline{INTi} input HIGH width of either (1/digital filter clock frequency \times 3) or the minimum value of standard, whichever is greater.
2. When selecting the digital filter by the \overline{INTi} input filter select bit, use an \overline{INTi} input LOW width of either (1/digital filter clock frequency \times 3) or the minimum value of standard, whichever is greater.

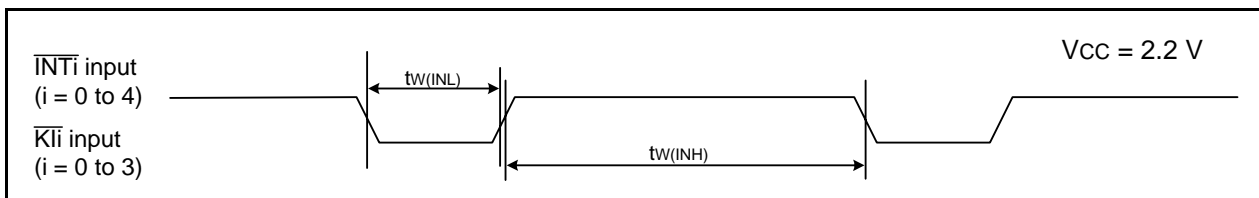


Figure 5.24 Input Timing Diagram for External Interrupt \overline{INTi} and Key Input Interrupt \overline{Kli} when Vcc = 2.2 V

5.2 R8C/34K Group

Table 5.38 Absolute Maximum Ratings

Symbol	Parameter	Condition	Rated Value	Unit
V _{cc} /A _V cc	Supply voltage		-0.3 to 6.5	V
V _i	Input voltage		-0.3 to V _{cc} + 0.3	V
V _o	Output voltage		-0.3 to V _{cc} + 0.3	V
P _d	Power dissipation	-40°C ≤ T _{opr} ≤ 85°C	500	mW
T _{opr}	Operating ambient temperature		-20 to 85 (N version)/ -40 to 85 (D version)	°C
T _{stg}	Storage temperature		-65 to 150	°C

Table 5.39 Recommended Operating Conditions (1)

Symbol	Parameter		Conditions	Standard			Unit		
				Min.	Typ.	Max.			
Vcc/AVcc	Supply voltage	When USB function is used		3.0	5.0	5.5	V		
		When USB function is not used		1.8	5.0	5.5	V		
UVcc	USB Supply Voltage (When UVCC pin is input)	When USB function is used	Vcc/AVcc = 3.0 to 3.6 V	—	Vcc/AVcc (4)	—	V		
		When USB function is not used	Vcc/AVcc = 1.8 to 5.5 V	—	Vcc/AVcc (4)	—	V		
Vss/AVss	Supply voltage			—	0	—	V		
VIH	Input "H" voltage	Other than CMOS input			0.8 Vcc	—	Vcc	V	
		CMOS input	Input level switching function (I/O port)	Input level selection: 0.35 Vcc	4.0 V ≤ Vcc ≤ 5.5 V	0.5 Vcc	—	Vcc	V
					2.7 V ≤ Vcc < 4.0 V	0.55 Vcc	—	Vcc	V
					1.8 V ≤ Vcc < 2.7 V	0.65 Vcc	—	Vcc	V
			Input level selection: 0.5 Vcc	4.0 V ≤ Vcc ≤ 5.5 V	0.65 Vcc	—	Vcc	V	
				2.7 V ≤ Vcc < 4.0 V	0.7 Vcc	—	Vcc	V	
				1.8 V ≤ Vcc < 2.7 V	0.8 Vcc	—	Vcc	V	
		Input level selection: 0.7 Vcc	4.0 V ≤ Vcc ≤ 5.5 V	0.85 Vcc	—	Vcc	V		
			2.7 V ≤ Vcc < 4.0 V	0.85 Vcc	—	Vcc	V		
			1.8 V ≤ Vcc < 2.7 V	0.85 Vcc	—	Vcc	V		
External clock input (XOUT)			1.2	—	Vcc	V			
VIL	Input "L" voltage	Other than CMOS input			0	—	0.2 Vcc	V	
		CMOS input	Input level switching function (I/O port)	Input level selection: 0.35 Vcc	4.0 V ≤ Vcc ≤ 5.5 V	0	—	0.2 Vcc	V
					2.7 V ≤ Vcc < 4.0 V	0	—	0.2 Vcc	V
					1.8 V ≤ Vcc < 2.7 V	0	—	0.2 Vcc	V
			Input level selection: 0.5 Vcc	4.0 V ≤ Vcc ≤ 5.5 V	0	—	0.4 Vcc	V	
				2.7 V ≤ Vcc < 4.0 V	0	—	0.3 Vcc	V	
				1.8 V ≤ Vcc < 2.7 V	0	—	0.2 Vcc	V	
		Input level selection: 0.7 Vcc	4.0 V ≤ Vcc ≤ 5.5 V	0	—	0.55 Vcc	V		
			2.7 V ≤ Vcc < 4.0 V	0	—	0.45 Vcc	V		
			1.8 V ≤ Vcc < 2.7 V	0	—	0.35 Vcc	V		
External clock input (XOUT)			0	—	0.4	V			
IOH(sum)	Peak sum output "H" current	Sum of all pins IOH(peak)		—	—	-160	mA		
IOH(sum)	Average sum output "H" current	Sum of all pins IOH(avg)		—	—	-80	mA		
IOH(peak)	Peak output "H" current	Drive capacity Low		—	—	-10	mA		
		Drive capacity High		—	—	-40	mA		
IOH(avg)	Average output "H" current	Drive capacity Low		—	—	-5	mA		
		Drive capacity High		—	—	-20	mA		
IOL(sum)	Peak sum output "L" current	Sum of all pins IOL(peak)		—	—	160	mA		
IOI(sum)	Average sum output "L" current	Sum of all pins IOI(avg)		—	—	80	mA		
IOL(peak)	Peak output "L" current	Drive capacity Low		—	—	10	mA		
		Drive capacity High		—	—	40	mA		
IOL(avg)	Average output "L" current	Drive capacity Low		—	—	5	mA		
		Drive capacity High		—	—	20	mA		
f(XIN)	XIN clock input oscillation frequency	2.7 V ≤ Vcc ≤ 5.5 V		—	—	20	MHz		
		1.8 V ≤ Vcc < 2.7 V		—	—	5	MHz		
fOCO40M	When used as the count source for timer RC (3)	2.7 V ≤ Vcc ≤ 5.5 V		32	—	40	MHz		
fOCO-F	fOCO-F frequency	2.7 V ≤ Vcc ≤ 5.5 V		—	—	20	MHz		
		1.8 V ≤ Vcc < 2.7 V		—	—	5	MHz		
—	System clock frequency	2.7 V ≤ Vcc ≤ 5.5 V		—	—	20	MHz		
		1.8 V ≤ Vcc < 2.7 V		—	—	5	MHz		
f(BCLK)	CPU clock frequency	2.7 V ≤ Vcc ≤ 5.5 V		—	—	20	MHz		
		1.8 V ≤ Vcc < 2.7 V		—	—	5	MHz		
tsu(PLL)	PLL frequency synthesizer stabilization wait time	4.0 V ≤ Vcc ≤ 5.5 V		—	—	2	ms		
		2.7 V ≤ Vcc < 4.0 V		—	—	3	ms		

Notes:

1. Vcc = 1.8 to 5.5 V and Topr = -20 to 85 °C (N version)/-40 to 85 °C (D version), unless otherwise specified.
2. The average output current indicates the average value of current measured during 100 ms.
3. fOCO40M can be used as the count source for timer RC in the range of Vcc = 2.7 to 5.5 V.
4. Connect Vcc/AVcc for the UVcc pin input.

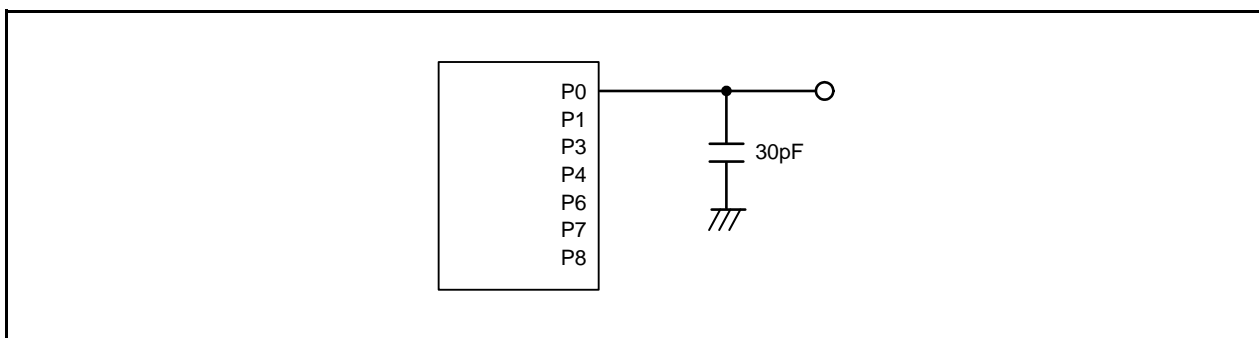


Figure 5.25 Ports P0, P1, P3, P4, P6, P7 and P8 Timing Measurement Circuit

Table 5.40 A/D Converter Characteristics

Symbol	Parameter		Conditions	Standard			Unit
				Min.	Typ.	Max.	
—	Resolution		$V_{ref} = AV_{cc}$	—	—	10	Bit
—	Absolute accuracy	10-bit mode	$V_{ref} = AV_{cc} = 5.0\text{ V}$ AN0 to AN7 input, AN8 to AN11 input	—	—	± 3	LSB
			$V_{ref} = AV_{cc} = 3.3\text{ V}$ AN0 to AN7 input, AN8 to AN11 input	—	—	± 5	LSB
			$V_{ref} = AV_{cc} = 3.0\text{ V}$ AN0 to AN7 input, AN8 to AN11 input	—	—	± 5	LSB
			$V_{ref} = AV_{cc} = 2.2\text{ V}$ AN0 to AN7 input, AN8 to AN11 input	—	—	± 5	LSB
		8-bit mode	$V_{ref} = AV_{cc} = 5.0\text{ V}$ AN0 to AN7 input, AN8 to AN11 input	—	—	± 2	LSB
			$V_{ref} = AV_{cc} = 3.3\text{ V}$ AN0 to AN7 input, AN8 to AN11 input	—	—	± 2	LSB
			$V_{ref} = AV_{cc} = 3.0\text{ V}$ AN0 to AN7 input, AN8 to AN11 input	—	—	± 2	LSB
			$V_{ref} = AV_{cc} = 2.2\text{ V}$ AN0 to AN7 input, AN8 to AN11 input	—	—	± 2	LSB
ϕ_{AD}	A/D conversion clock		$4.0\text{ V} \leq V_{ref} = AV_{cc} \leq 5.5\text{ V}^{(2)}$	2	—	20	MHz
			$3.2\text{ V} \leq V_{ref} = AV_{cc} \leq 5.5\text{ V}^{(2)}$	2	—	16	MHz
			$2.7\text{ V} \leq V_{ref} = AV_{cc} \leq 5.5\text{ V}^{(2)}$	2	—	10	MHz
			$2.2\text{ V} \leq V_{ref} = AV_{cc} \leq 5.5\text{ V}^{(2)}$	2	—	5	MHz
—	Tolerance level impedance			—	3	—	$k\Omega$
tCONV	Conversion time	10-bit mode	$V_{ref} = AV_{cc} = 5.0\text{ V}$, $\phi_{AD} = 20\text{ MHz}$	2.2	—	—	μs
		8-bit mode	$V_{ref} = AV_{cc} = 5.0\text{ V}$, $\phi_{AD} = 20\text{ MHz}$	2.2	—	—	μs
tsAMP	Sampling time		$\phi_{AD} = 20\text{ MHz}$	0.8	—	—	μs
I _{Vref}	V _{ref} current		$V_{cc} = 5.0\text{ V}$, $XIN = f1 = \phi_{AD} = 20\text{ MHz}$	—	45	—	μA
V _{ref}	Reference voltage			2.2	—	AV_{cc}	V
V _{IA}	Analog input voltage ⁽³⁾			0	—	V _{ref}	V
OCVREF	On-chip reference voltage		$2\text{ MHz} \leq \phi_{AD} \leq 4\text{ MHz}$	1.19	1.34	1.49	V

Notes:

- $V_{cc}/AV_{cc} = V_{ref} = 2.2$ to 5.5 V , $V_{ss} = 0\text{ V}$, and $T_{opr} = -20$ to $85\text{ }^\circ\text{C}$ (N version)/ -40 to $85\text{ }^\circ\text{C}$ (D version), unless otherwise specified.
- The A/D conversion result will be undefined in wait mode, stop mode, when the flash memory stops, and in low-current-consumption mode. Do not perform A/D conversion in these states or transition to these states during A/D conversion.
- When the analog input voltage is over the reference voltage, the A/D conversion result will be 3FFh in 10-bit mode and FFh in 8-bit mode.

Table 5.41 Comparator B Electrical Characteristics

Symbol	Parameter	Condition	Standard			Unit
			Min.	Typ.	Max.	
V _{ref}	IVREF1, IVREF3 input reference voltage		0	—	V _{CC} - 1.4	V
V _I	IVCMP1, IVCMP3 input voltage		-0.3	—	V _{CC} + 0.3	V
—	Offset		—	5	100	mV
t _d	Comparator output delay time ⁽²⁾	V _I = V _{ref} ± 100 mV	—	0.1	—	μs
I _{CMP}	Comparator operating current	V _{CC} = 5.0 V	—	17.5	—	μA

Notes:

1. V_{CC} = 2.7 to 5.5 V and T_{opr} = -20 to 85 °C (N version)/-40 to 85 °C (D version), unless otherwise specified.
2. When the digital filter is disabled.

Table 5.42 USB Characteristics

Symbol	Parameter		Condition	Standard			Unit	
				Min.	Typ.	Max.		
V _{IH}	Input characteristics	Input "H" voltage	Figures 5.26 and 5.27	2.0	—	—	V	
V _{IL}		Input "L" voltage		—	—	0.8	V	
V _{DI}		Differential input sensitivity		0.2	—	—	V	
V _{CM}		Differential common mode range		0.8	—	2.5	V	
V _{OH}	Output characteristics	Output "H" voltage	Figures 5.26 and 5.27 I _{CH} = 200μA	2.8	—	—	V	
V _{OL}		Output "L" voltage		Figures 5.26 and 5.27 I _{CL} = 2 mA	—	—	0.3	V
V _{CRS}		Crossover voltage			1.3	—	2.0	V
t _R		Rise time		Figures 5.26 and 5.27	4.0	—	20.0	ns
t _F		Fall time		Figures 5.26 and 5.27	4.0	—	20.0	ns
t _{RFM}		Rise time / Fall time matching		Figures 5.26 and 5.27 (t _R /t _F)	90.0	—	111.1	%
Z _{DRV}		Output resistance		Figures 5.26 and 5.27 Includes R _s = 27Ω	28	—	44.0	Ω
UVCC		UVCC output voltage		V _{CC} = 4.0 to 5.5V, PXXCON = VDDUSBE = 1	3.0	3.3	3.6	V
	PXXCON = 0		—	V _{CC}	—	V		
I _{susp}	Consumption current of the Internal power supply for USB		V _{CC} = 4.0 to 5.5 V UV _{CC} - V _{SS} 0.33 μF V _{CC} - V _{SS} 0.1 μF		50		μA	

Note:

1. Referenced to V_{CC} = 3.0 to 5.5 V, UV_{CC} = 3.0 V, at T_{opr} = -20 to 85 °C (N version)/-40 to 85 °C (D version), unless otherwise specified.

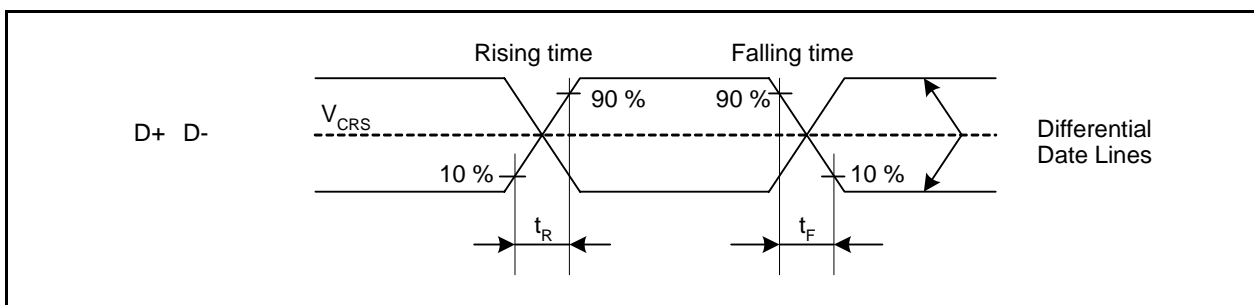


Figure 5.26 Data Signal Timing Diagram

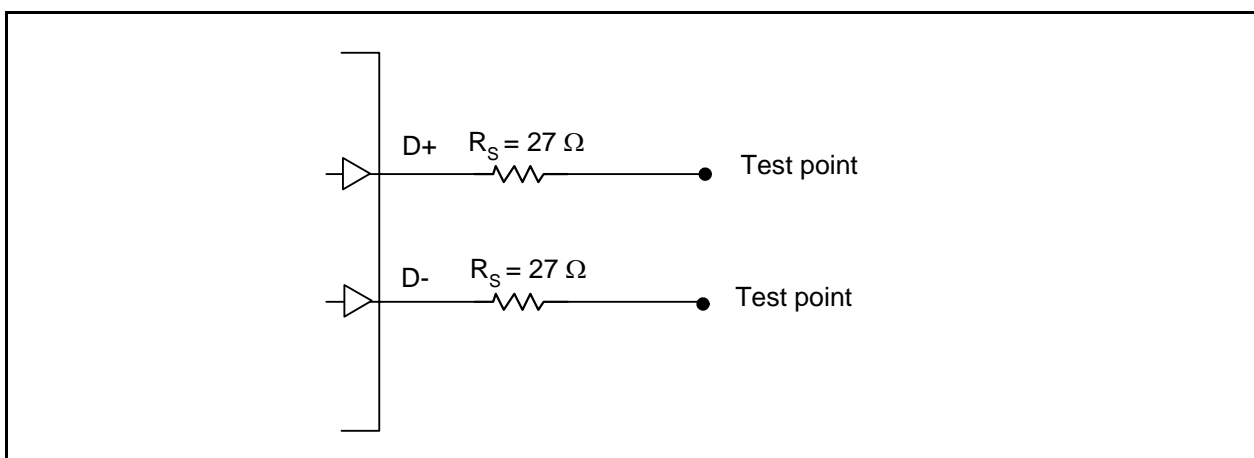


Figure 5.27 Load Condition

Table 5.43 Flash Memory (Program ROM) Electrical Characteristics

Symbol	Parameter	Conditions	Standard			Unit
			Min.	Typ.	Max.	
—	Program/erase endurance ⁽²⁾		1,000 ⁽³⁾	—	—	times
—	Byte program time		—	80	500	μs
—	Block erase time		—	0.3	—	s
t _d (SR-SUS)	Time delay from suspend request until suspend		—	—	5 + CPU clock × 3 cycles	ms
—	Interval from erase start/restart until following suspend request		0	—	—	μs
—	Time from suspend until erase restart		—	—	30 + CPU clock × 1 cycle	μs
t _d (CMDRST-READY)	Time from when command is forcibly stopped until reading is enabled		—	—	30 + CPU clock × 1 cycle	μs
—	Program, erase voltage		2.7	—	5.5	V
—	Read voltage		1.8	—	5.5	V
—	Program, erase temperature		0	—	60	°C
—	Data hold time ⁽⁷⁾	Ambient temperature = 55 °C	20	—	—	year

Notes:

- V_{CC} = 2.7 to 5.5 V and T_{opr} = 0 to 60 °C, unless otherwise specified.
- Definition of programming/erasure endurance
The programming and erasure endurance is defined on a per-block basis.
If the programming and erasure endurance is n (n = 1,000), each block can be erased n times. For example, if 1,024 1-byte writes are performed to different addresses in block A, a 1 Kbyte block, and then the block is erased, the programming/erasure endurance still stands at one. However, the same address must not be programmed more than once per erase operation (overwriting prohibited).
- Endurance to guarantee all electrical characteristics after program and erase. (1 to Min. value can be guaranteed.)
- In a system that executes multiple programming operations, the actual erasure count can be reduced by writing to sequential addresses in turn so that as much of the block as possible is used up before performing an erase operation. For example, when programming groups of 16 bytes, the effective number of rewrites can be minimized by programming up to 128 groups before erasing them all in one operation. It is also advisable to retain data on the erasure endurance of each block and limit the number of erase operations to a certain number.
- If an error occurs during block erase, attempt to execute the clear status register command, then execute the block erase command at least three times until the erase error does not occur.
- Customers desiring program/erase failure rate information should contact their Renesas technical support representative.
- The data hold time includes time that the power supply is off or the clock is not supplied.

Table 5.44 Flash Memory (Data flash Block A to Block D) Electrical Characteristics

Symbol	Parameter	Conditions	Standard			Unit
			Min.	Typ.	Max.	
—	Program/erase endurance ⁽²⁾		10,000 ⁽³⁾	—	—	times
—	Byte program time (program/erase endurance ≤ 1,000 times)		—	160	1500	μs
—	Byte program time (program/erase endurance > 1,000 times)		—	300	1500	μs
—	Block erase time (program/erase endurance ≤ 1,000 times)		—	0.2	1	s
—	Block erase time (program/erase endurance > 1,000 times)		—	0.3	1	s
t _d (SR-SUS)	Time delay from suspend request until suspend		—	—	5 + CPU clock × 3 cycles	ms
—	Interval from erase start/restart until following suspend request		0	—	—	μs
—	Time from suspend until erase restart		—	—	30 + CPU clock × 1 cycle	μs
t _d (CMDRST-READY)	Time from when command is forcibly stopped until reading is enabled		—	—	30 + CPU clock × 1 cycle	μs
—	Program, erase voltage		2.7	—	5.5	V
—	Read voltage		1.8	—	5.5	V
—	Program, erase temperature		-20 ⁽⁷⁾	—	85	°C
—	Data hold time ⁽⁸⁾	Ambient temperature = 55 °C	20	—	—	year

Notes:

- V_{CC} = 2.7 to 5.5 V and T_{opr} = -20 to 85 °C (N version)/-40 to 85 °C (D version), unless otherwise specified.
- Definition of programming/erasure endurance
The programming and erasure endurance is defined on a per-block basis.
If the programming and erasure endurance is n (n = 10,000), each block can be erased n times. For example, if 1,024 1-byte writes are performed to different addresses in block A, a 1 Kbyte block, and then the block is erased, the programming/erasure endurance still stands at one. However, the same address must not be programmed more than once per erase operation (overwriting prohibited).
- Endurance to guarantee all electrical characteristics after program and erase. (1 to Min. value can be guaranteed.)
- In a system that executes multiple programming operations, the actual erasure count can be reduced by writing to sequential addresses in turn so that as much of the block as possible is used up before performing an erase operation. For example, when programming groups of 16 bytes, the effective number of rewrites can be minimized by programming up to 128 groups before erasing them all in one operation. In addition, averaging the erasure endurance between blocks A to D can further reduce the actual erasure endurance. It is also advisable to retain data on the erasure endurance of each block and limit the number of erase operations to a certain number.
- If an error occurs during block erase, attempt to execute the clear status register command, then execute the block erase command at least three times until the erase error does not occur.
- Customers desiring program/erase failure rate information should contact their Renesas technical support representative.
- 40 °C for D version.
- The data hold time includes time that the power supply is off or the clock is not supplied.

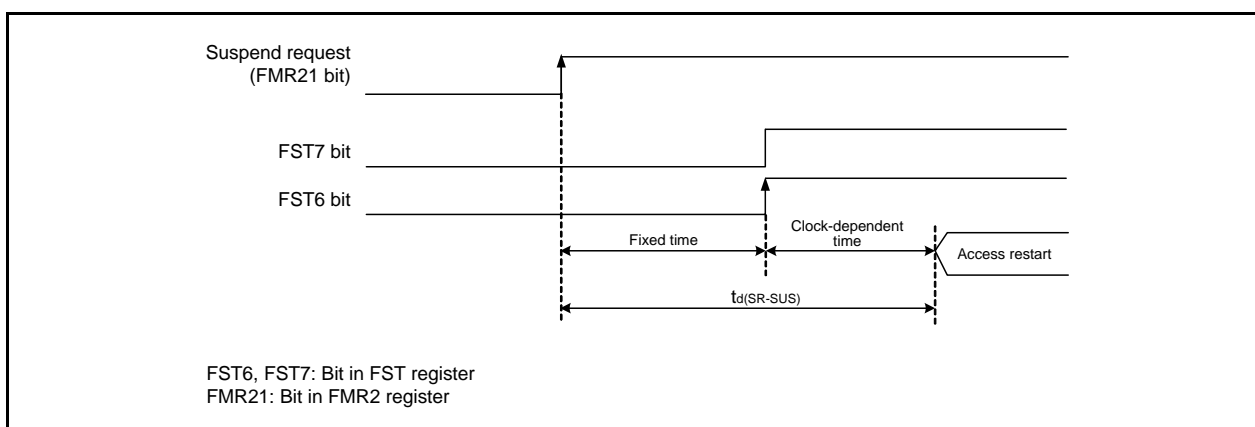
**Figure 5.28 Time delay until Suspend**

Table 5.45 Voltage Detection 0 Circuit Electrical Characteristics

Symbol	Parameter	Condition	Standard			Unit
			Min.	Typ.	Max.	
Vdet0	Voltage detection level Vdet0_0 (2)		1.80	1.90	2.05	V
	Voltage detection level Vdet0_1 (2)		2.15	2.35	2.50	V
	Voltage detection level Vdet0_2 (2)		2.70	2.85	3.05	V
	Voltage detection level Vdet0_3 (2)		3.55	3.80	4.05	V
—	Voltage detection 0 circuit response time (4)	At the falling of Vcc from 5.0 V to (Vdet0_0 – 0.1) V	—	6	150	μs
—	Voltage detection circuit self power consumption	VCA25 = 1, Vcc = 5.0 V	—	1.5	—	μA
td(E-A)	Waiting time until voltage detection circuit operation starts (3)		—	—	100	μs

Notes:

1. The measurement condition is Vcc = 1.8 to 5.5 V and Topr = –20 to 85 °C (N version)/–40 to 85 °C (D version).
2. Select the voltage detection level with bits VDSEL0 and VDSEL1 in the OFS register.
3. Necessary time until the voltage detection circuit operates when setting to 1 again after setting the VCA25 bit in the VCA2 register to 0.
4. Time until the voltage monitor 0 reset is generated after the voltage passes Vdet0.

Table 5.46 Voltage Detection 1 Circuit Electrical Characteristics

Symbol	Parameter	Condition	Standard			Unit
			Min.	Typ.	Max.	
Vdet1	Voltage detection level Vdet1_0 (2)	At the falling of Vcc	2.00	2.20	2.40	V
	Voltage detection level Vdet1_1 (2)	At the falling of Vcc	2.15	2.35	2.55	V
	Voltage detection level Vdet1_2 (2)	At the falling of Vcc	2.30	2.50	2.70	V
	Voltage detection level Vdet1_3 (2)	At the falling of Vcc	2.45	2.65	2.85	V
	Voltage detection level Vdet1_4 (2)	At the falling of Vcc	2.60	2.80	3.00	V
	Voltage detection level Vdet1_5 (2)	At the falling of Vcc	2.75	2.95	3.15	V
	Voltage detection level Vdet1_6 (2)	At the falling of Vcc	2.85	3.10	3.40	V
	Voltage detection level Vdet1_7 (2)	At the falling of Vcc	3.00	3.25	3.55	V
	Voltage detection level Vdet1_8 (2)	At the falling of Vcc	3.15	3.40	3.70	V
	Voltage detection level Vdet1_9 (2)	At the falling of Vcc	3.30	3.55	3.85	V
	Voltage detection level Vdet1_A (2)	At the falling of Vcc	3.45	3.70	4.00	V
	Voltage detection level Vdet1_B (2)	At the falling of Vcc	3.60	3.85	4.15	V
	Voltage detection level Vdet1_C (2)	At the falling of Vcc	3.75	4.00	4.30	V
	Voltage detection level Vdet1_D (2)	At the falling of Vcc	3.90	4.15	4.45	V
	Voltage detection level Vdet1_E (2)	At the falling of Vcc	4.05	4.30	4.60	V
	Voltage detection level Vdet1_F (2)	At the falling of Vcc	4.20	4.45	4.75	V
—	Hysteresis width at the rising of Vcc in voltage detection 1 circuit	Vdet1_0 to Vdet1_5 selected	—	0.07	—	V
		Vdet1_6 to Vdet1_F selected	—	0.10	—	V
—	Voltage detection 1 circuit response time (3)	At the falling of Vcc from 5.0 V to (Vdet1_0 – 0.1) V	—	60	150	μs
—	Voltage detection circuit self power consumption	VCA26 = 1, Vcc = 5.0 V	—	1.7	—	μA
td(E-A)	Waiting time until voltage detection circuit operation starts (4)		—	—	100	μs

Notes:

1. The measurement condition is Vcc = 1.8 to 5.5 V and Topr = –20 to 85 °C (N version)/–40 to 85 °C (D version).
2. Select the voltage detection level with bits VD1S0 to VD1S3 in the VD1LS register.
3. Time until the voltage monitor 1 interrupt request is generated after the voltage passes Vdet1.
4. Necessary time until the voltage detection circuit operates when setting to 1 again after setting the VCA26 bit in the VCA2 register to 0.

Table 5.47 Voltage Detection 2 Circuit Electrical Characteristics

Symbol	Parameter	Condition	Standard			Unit
			Min.	Typ.	Max.	
Vdet2	Voltage detection level Vdet2_0	At the falling of Vcc	3.70	4.00	4.30	V
—	Hysteresis width at the rising of Vcc in voltage detection 2 circuit		—	0.10	—	V
—	Voltage detection 2 circuit response time (2)	At the falling of Vcc from 5.0 V to (Vdet2_0 – 0.1) V	—	20	150	μs
—	Voltage detection circuit self power consumption	VCA27 = 1, Vcc = 5.0 V	—	1.7	—	μA
t _{d(E-A)}	Waiting time until voltage detection circuit operation starts (3)		—	—	100	μs

Notes:

1. The measurement condition is Vcc = 1.8 to 5.5 V and T_{opr} = –20 to 85 °C (N version)/–40 to 85 °C (D version).
2. Time until the voltage monitor 2 interrupt request is generated after the voltage passes Vdet2.
3. Necessary time until the voltage detection circuit operates after setting to 1 again after setting the VCA27 bit in the VCA2 register to 0.

Table 5.48 Power-on Reset Circuit (2)

Symbol	Parameter	Condition	Standard			Unit
			Min.	Typ.	Max.	
trth	External power Vcc rise gradient	(1)	0	—	50,000	mV/msec

Notes:

1. The measurement condition is T_{opr} = –20 to 85 °C (N version)/–40 to 85 °C (D version), unless otherwise specified.
2. To use the power-on reset function, enable voltage monitor 0 reset by setting the LVDAS bit in the OFS register to 0.

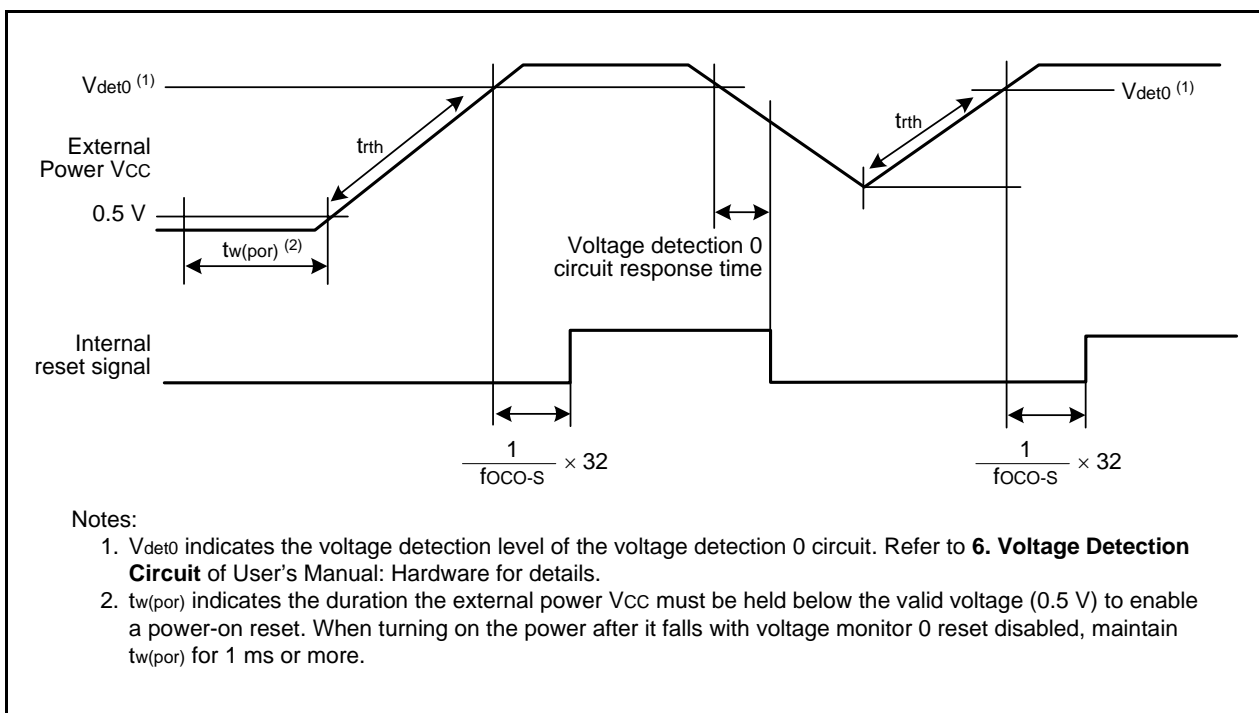


Figure 5.29 Power-on Reset Circuit Electrical Characteristics

Table 5.49 High-speed On-Chip Oscillator Circuit Electrical Characteristics

Symbol	Parameter	Condition	Standard			Unit
			Min.	Typ.	Max.	
—	High-speed on-chip oscillator frequency after reset	$V_{CC} = 1.8 \text{ V to } 5.5 \text{ V}$ $-20 \text{ }^{\circ}\text{C} \leq T_{opr} \leq 85 \text{ }^{\circ}\text{C}$	36.0	40	44.0	MHz
		$V_{CC} = 1.8 \text{ V to } 5.5 \text{ V}$ $-40 \text{ }^{\circ}\text{C} \leq T_{opr} \leq 85 \text{ }^{\circ}\text{C}$	36.0	40	44.0	
—	High-speed on-chip oscillator frequency when the FRA4 register correction value is written into the FRA1 register and the FRA5 register correction value into the FRA3 register ⁽²⁾	$V_{CC} = 1.8 \text{ V to } 5.5 \text{ V}$ $-20 \text{ }^{\circ}\text{C} \leq T_{opr} \leq 85 \text{ }^{\circ}\text{C}$	33.178	36.864	40.550	MHz
		$V_{CC} = 1.8 \text{ V to } 5.5 \text{ V}$ $-40 \text{ }^{\circ}\text{C} \leq T_{opr} \leq 85 \text{ }^{\circ}\text{C}$	33.178	36.864	40.550	
—	High-speed on-chip oscillator frequency when the FRA6 register correction value is written into the FRA1 register and the FRA7 register correction value into the FRA3 register	$V_{CC} = 1.8 \text{ V to } 5.5 \text{ V}$ $-20 \text{ }^{\circ}\text{C} \leq T_{opr} \leq 85 \text{ }^{\circ}\text{C}$	28.8	32	35.2	MHz
		$V_{CC} = 1.8 \text{ V to } 5.5 \text{ V}$ $-40 \text{ }^{\circ}\text{C} \leq T_{opr} \leq 85 \text{ }^{\circ}\text{C}$	28.8	32	35.2	
—	Oscillation stability time	$V_{CC} = 5.0 \text{ V}, T_{opr} = 25 \text{ }^{\circ}\text{C}$	—	0.5	3	ms
—	Self power consumption at oscillation	$V_{CC} = 5.0 \text{ V}, T_{opr} = 25 \text{ }^{\circ}\text{C}$	—	400	—	μA

Notes:

- $V_{CC} = 1.8$ to 5.5 V and $T_{opr} = -20$ to $85 \text{ }^{\circ}\text{C}$ (N version)/ -40 to $85 \text{ }^{\circ}\text{C}$ (D version), unless otherwise specified.
- This enables the setting errors of bit rates such as 9600 bps and 38400 bps to be 0% when the serial interface is used in UART mode.

Table 5.50 Low-speed On-Chip Oscillator Circuit Electrical Characteristics

Symbol	Parameter	Condition	Standard			Unit
			Min.	Typ.	Max.	
fOCO-S	Low-speed on-chip oscillator frequency		60	125	250	kHz
—	Oscillation stability time	$V_{CC} = 5.0 \text{ V}, T_{opr} = 25 \text{ }^{\circ}\text{C}$	—	30	100	μs
—	Self power consumption at oscillation	$V_{CC} = 5.0 \text{ V}, T_{opr} = 25 \text{ }^{\circ}\text{C}$	—	2	—	μA

Note:

- $V_{CC} = 1.8$ to 5.5 V and $T_{opr} = -20$ to $85 \text{ }^{\circ}\text{C}$ (N version)/ -40 to $85 \text{ }^{\circ}\text{C}$ (D version), unless otherwise specified.

Table 5.51 Power Supply Circuit Timing Characteristics

Symbol	Parameter	Condition	Standard			Unit
			Min.	Typ.	Max.	
$t_{d(P-R)}$	Time for internal power supply stabilization during power-on ⁽²⁾		—	—	2,000	μs

Notes:

- The measurement condition is $V_{CC} = 1.8$ to 5.5 V and $T_{opr} = 25 \text{ }^{\circ}\text{C}$.
- Waiting time until the internal power supply generation circuit stabilizes during power-on.

Table 5.52 Timing Requirements of Synchronous Serial Communication Unit (SSU)

Symbol	Parameter		Conditions	Standard			Unit
				Min.	Typ.	Max.	
t _{SUCYC}	SSCK clock cycle time			4	—	—	t _{CYC} (2)
t _{HI}	SSCK clock "H" width			0.4	—	0.6	t _{SUCYC}
t _{LO}	SSCK clock "L" width			0.4	—	0.6	t _{SUCYC}
t _{RISE}	SSCK clock rising time	Master		—	—	1	t _{CYC} (2)
		Slave		—	—	1	μs
t _{FALL}	SSCK clock falling time	Master		—	—	1	t _{CYC} (2)
		Slave		—	—	1	μs
t _{SU}	SSO, SSI data input setup time			100	—	—	ns
t _H	SSO, SSI data input hold time			1	—	—	t _{CYC} (2)
t _{LEAD}	SCS setup time	Slave		1t _{CYC} + 50	—	—	ns
t _{LAG}	SCS hold time	Slave		1t _{CYC} + 50	—	—	ns
t _{OD}	SSO, SSI data output delay time			—	—	1	t _{CYC} (2)
t _{SA}	SSI slave access time		2.7 V ≤ V _{CC} ≤ 5.5 V	—	—	1.5t _{CYC} + 100	ns
			1.8 V ≤ V _{CC} < 2.7 V	—	—	1.5t _{CYC} + 200	ns
t _{OR}	SSI slave out open time		2.7 V ≤ V _{CC} ≤ 5.5 V	—	—	1.5t _{CYC} + 100	ns
			1.8 V ≤ V _{CC} < 2.7 V	—	—	1.5t _{CYC} + 200	ns

Notes:

1. V_{CC} = 1.8 to 5.5 V, V_{SS} = 0 V, and T_{opr} = -20 to 85 °C (N version)/-40 to 85 °C (D version), unless otherwise specified.
2. 1t_{CYC} = 1/f₁(s)

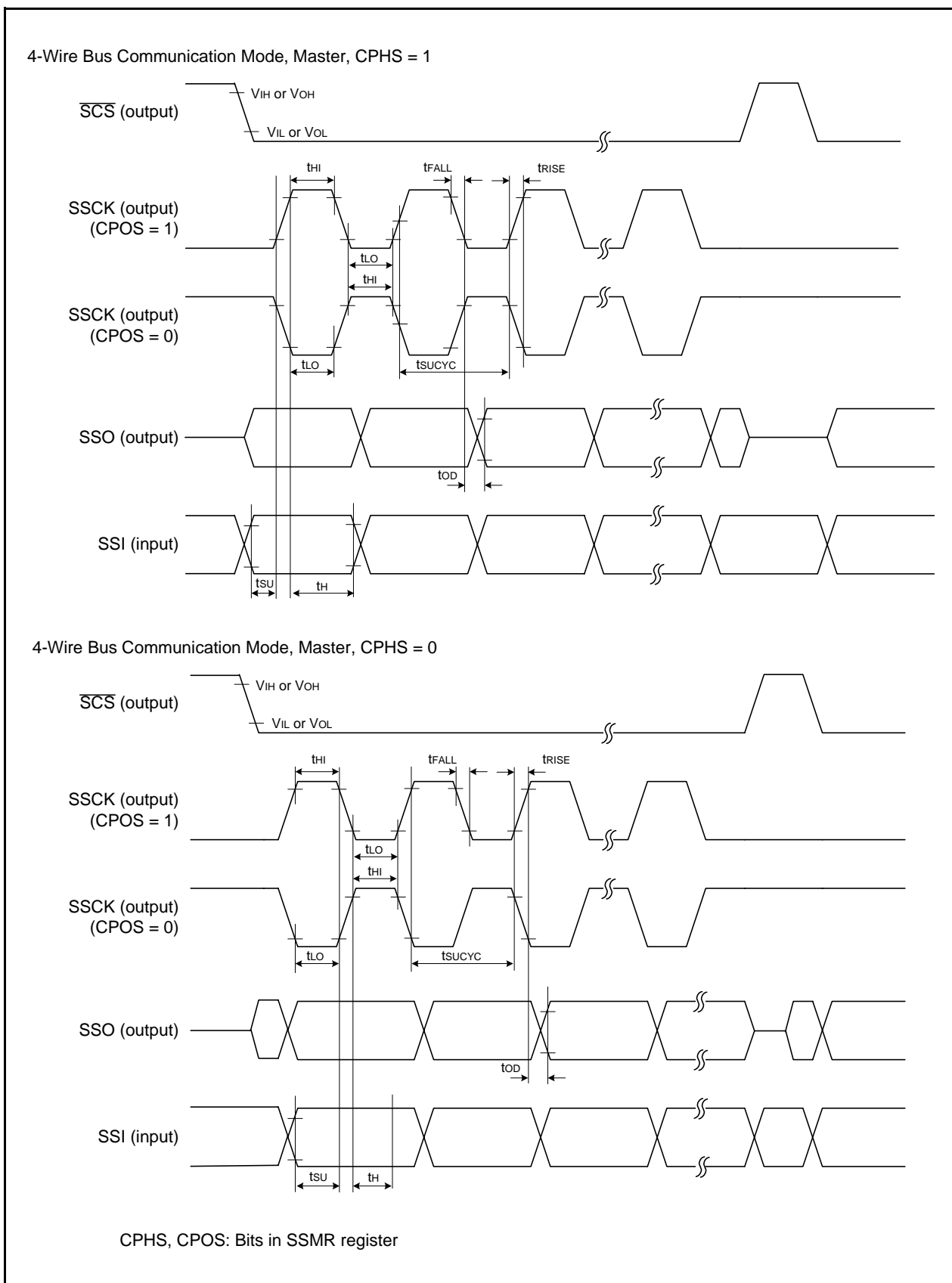


Figure 5.30 I/O Timing of Synchronous Serial Communication Unit (SSU) (Master)

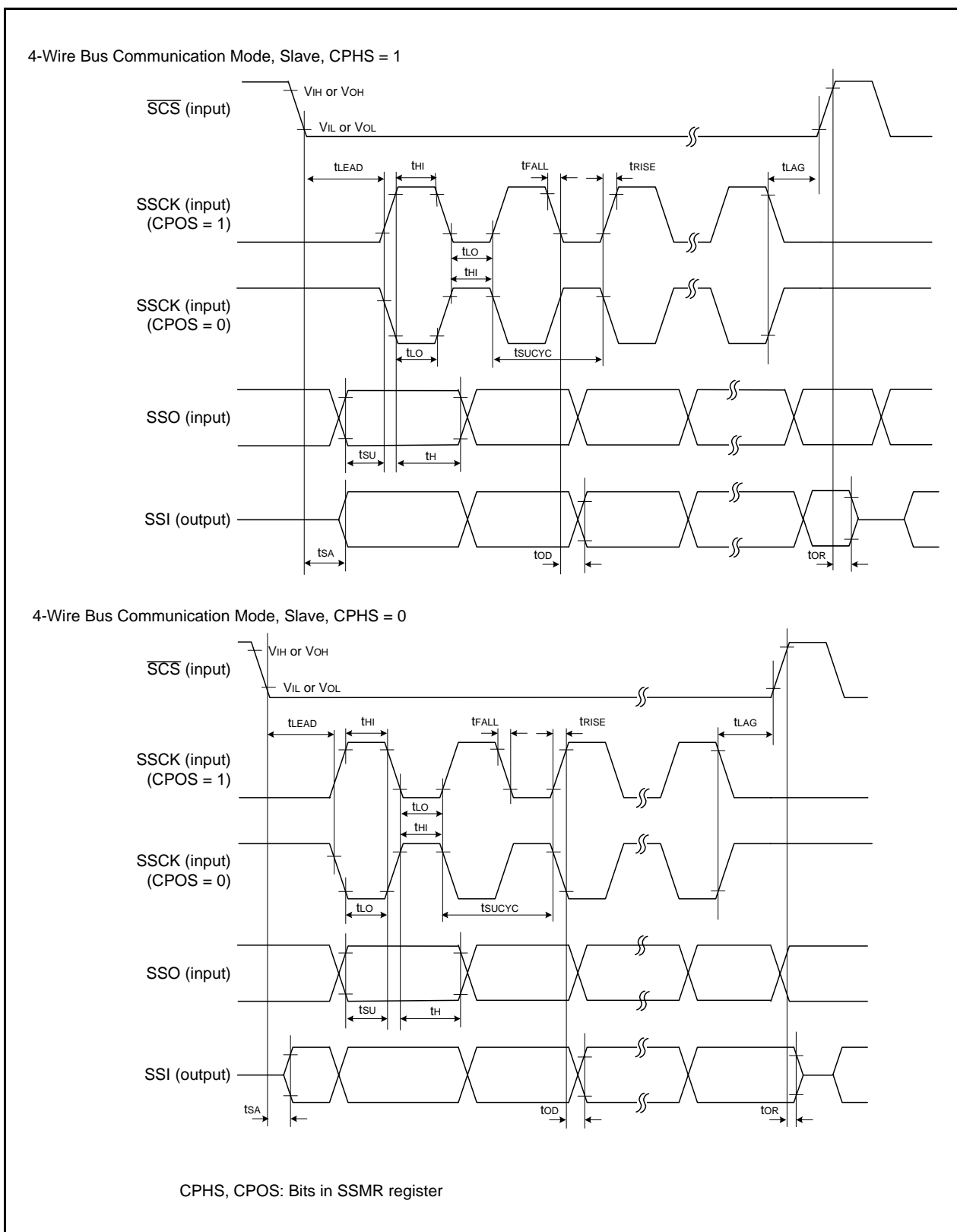


Figure 5.31 I/O Timing of Synchronous Serial Communication Unit (SSU) (Slave)

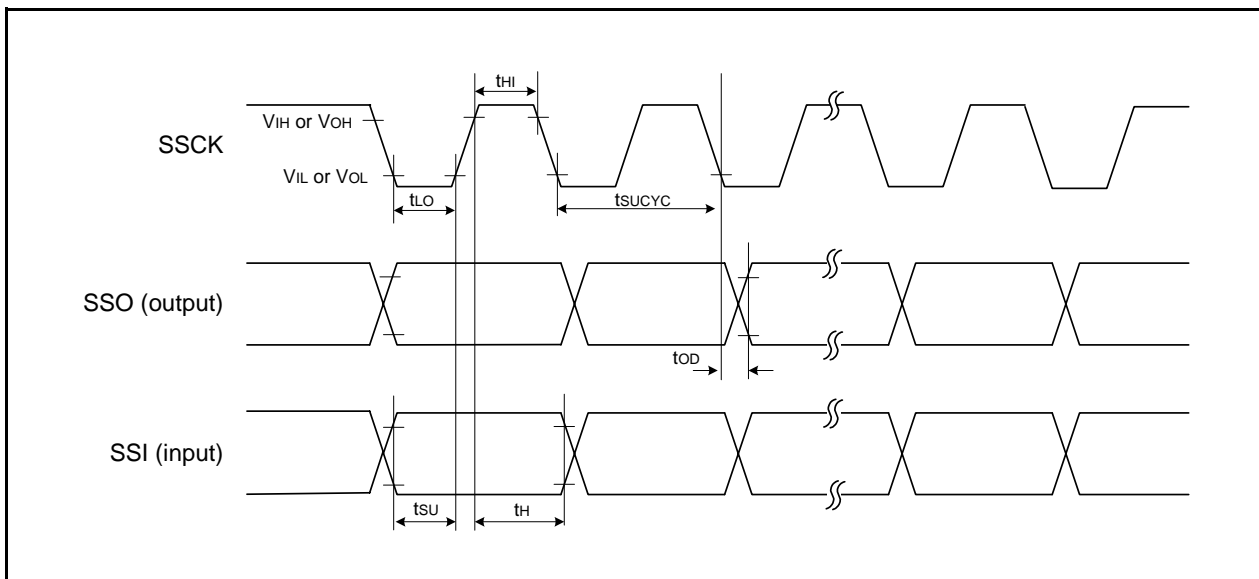


Figure 5.32 I/O Timing of Synchronous Serial Communication Unit (SSU) (Clock Synchronous Communication Mode)

Table 5.53 Timing Requirements of I²C bus Interface

Symbol	Parameter	Condition	Standard			Unit
			Min.	Typ.	Max.	
t _{SCL}	SCL input cycle time		12t _{cyc} + 600 ⁽²⁾	—	—	ns
t _{SCLH}	SCL input "H" width		3t _{cyc} + 300 ⁽²⁾	—	—	ns
t _{SCLL}	SCL input "L" width		5t _{cyc} + 500 ⁽²⁾	—	—	ns
t _{sf}	SCL, SDA input fall time		—	—	300	ns
t _{SP}	SCL, SDA input spike pulse rejection time		—	—	1t _{cyc} ⁽²⁾	ns
t _{BUF}	SDA input bus-free time		5t _{cyc} ⁽²⁾	—	—	ns
t _{STAH}	Start condition input hold time		3t _{cyc} ⁽²⁾	—	—	ns
t _{STAS}	Retransmit start condition input setup time		3t _{cyc} ⁽²⁾	—	—	ns
t _{STOP}	Stop condition input setup time		3t _{cyc} ⁽²⁾	—	—	ns
t _{SDAS}	Data input setup time		1t _{cyc} + 40 ⁽²⁾	—	—	ns
t _{SDAH}	Data input hold time		10	—	—	ns

Notes:

1. V_{CC} = 1.8 to 5.5 V, V_{SS} = 0 V, and T_{opr} = -20 to 85 °C (N version)/-40 to 85 °C (D version), unless otherwise specified.
2. 1t_{cyc} = 1/f₁(s)

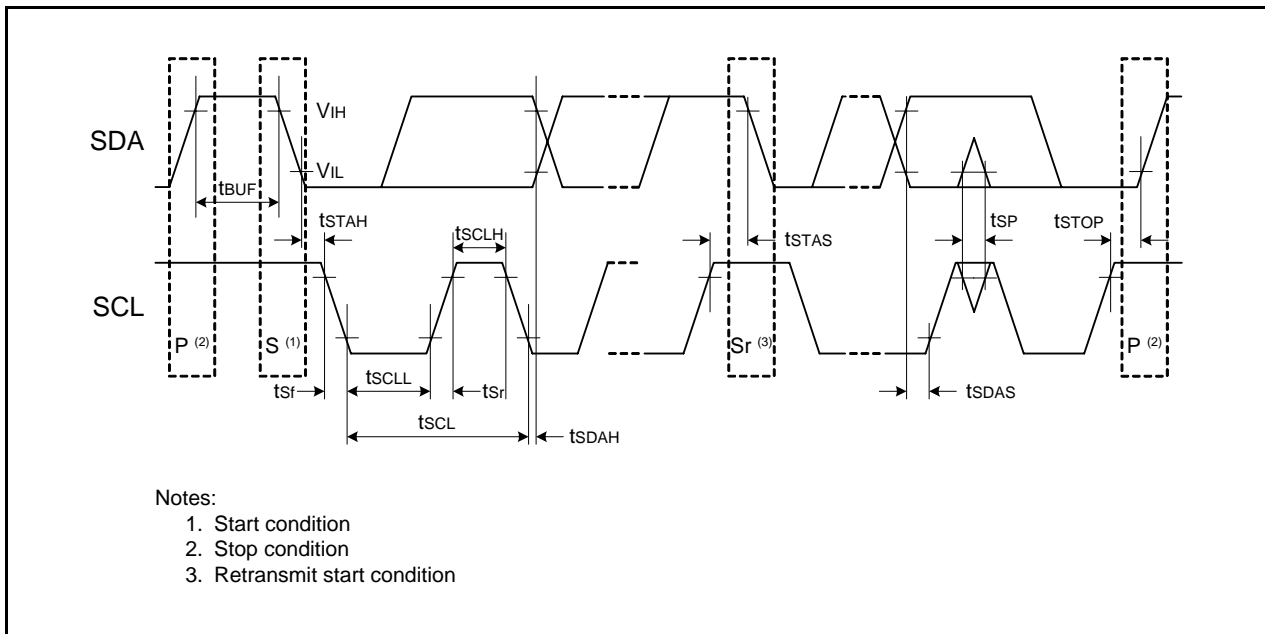


Figure 5.33 I/O Timing of I²C bus Interface

Table 5.54 Electrical Characteristics (1) [4.2 V ≤ Vcc ≤ 5.5 V]

Symbol	Parameter		Condition		Standard			Unit
					Min.	Typ.	Max.	
VOH	Output "H" voltage	Other than XOUT	Drive capacity High Vcc = 5 V	IOH = -20 mA	Vcc - 2.0	—	Vcc	V
			Drive capacity Low Vcc = 5 V	IOH = -5 mA	Vcc - 2.0	—	Vcc	V
		XOUT	Vcc = 5 V	IOH = -200 μA	1.0	—	Vcc	V
VOL	Output "L" voltage	Other than XOUT	Drive capacity High Vcc = 5 V	IOl = 20 mA	—	—	2.0	V
			Drive capacity Low Vcc = 5 V	IOl = 5 mA	—	—	2.0	V
		XOUT	Vcc = 5 V	IOl = 200 μA	—	—	0.5	V
VT+-VT-	Hysteresis	INT0, INT1, INT2, INT3, INT4, KI0, KI1, KI2, KI3, TRAIO, TRCIOA, TRCIOB, TRCIOC, TRCIOD, TRFI, USB_OVRCURA, USB_VBUS, USB_ID, USB_OVRCURB, TRCTRG, TRCCLK, ADTRG, RXD0, RXD1, RXD2, RXD3, CLK0, CLK1, CLK2, CLK3, CTS2, SSI, SCL, SDA, SSO, SSCK, SCS			0.1	1.2	—	V
		RESET			0.1	1.2	—	V
IiH	Input "H" current		Vi = 5 V, Vcc = 5.0 V		—	—	5.0	μA
IiL	Input "L" current		Vi = 0 V, Vcc = 5.0 V		—	—	-5.0	μA
RPULLUP	Pull-up resistance		Vi = 0 V, Vcc = 5.0 V		25	50	100	kΩ
RfXIN	Feedback resistance	XIN			—	0.3	—	MΩ
VRAM	RAM hold voltage		During stop mode		1.8	—	—	V

Note:

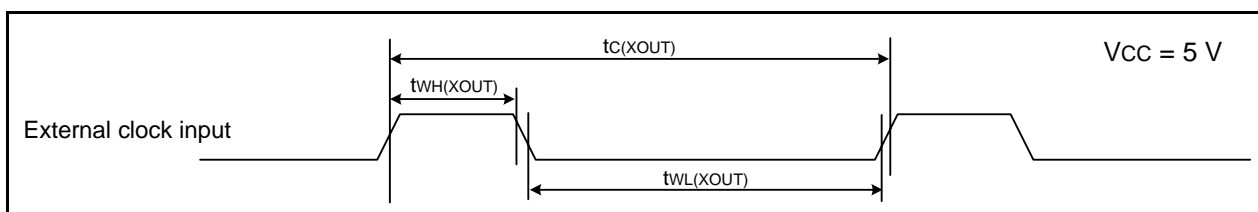
1. 4.2 V ≤ Vcc ≤ 5.5 V, Topr = -20 to 85 °C (N version)/-40 to 85 °C (D version), and f(XIN) = 20 MHz, unless otherwise specified.

Table 5.55 Electrical Characteristics (2) [3.3 V ≤ Vcc ≤ 5.5 V]
(T_{opr} = −20 to 85 °C (N version)/−40 to 85 °C (D version), unless otherwise specified.)

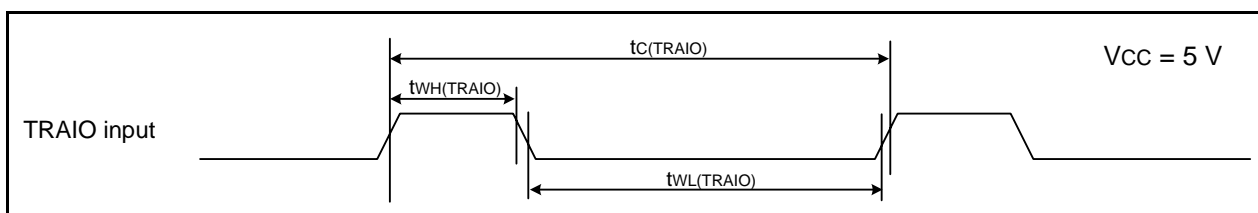
Symbol	Parameter	Condition	Standard			Unit	
			Min.	Typ.	Max.		
I _{cc}	Power supply current (V _{cc} = 3.3 to 5.5 V) Single-chip mode, output pins are open, other pins are V _{ss}	High-speed clock mode	XIN = 20 MHz (square wave) High-speed on-chip oscillator off Low-speed on-chip oscillator on = 125 kHz No division	—	6.5	15	mA
			XIN = 16 MHz (square wave) High-speed on-chip oscillator off Low-speed on-chip oscillator on = 125 kHz No division	—	5.3	12.5	mA
			XIN = 10 MHz (square wave) High-speed on-chip oscillator off Low-speed on-chip oscillator on = 125 kHz No division	—	3.6	—	mA
			XIN = 20 MHz (square wave) High-speed on-chip oscillator off Low-speed on-chip oscillator on = 125 kHz Divide-by-8	—	3.0	—	mA
			XIN = 16 MHz (square wave) High-speed on-chip oscillator off Low-speed on-chip oscillator on = 125 kHz Divide-by-8	—	2.2	—	mA
			XIN = 10 MHz (square wave) High-speed on-chip oscillator off Low-speed on-chip oscillator on = 125 kHz Divide-by-8	—	1.5	—	mA
			XIN clock off High-speed on-chip oscillator on f _{OCO-F} = 20 MHz Low-speed on-chip oscillator on = 125 kHz No division	—	7.0	15	mA
		High-speed on-chip oscillator mode	XIN clock off High-speed on-chip oscillator on f _{OCO-F} = 20 MHz Low-speed on-chip oscillator on = 125 kHz Divide-by-8	—	3.0	—	mA
			XIN clock off High-speed on-chip oscillator on f _{OCO-F} = 4 MHz Low-speed on-chip oscillator on = 125 kHz Divide-by-16, MSTIIC = MSTTRC = 1	—	1	—	mA
			XIN clock off High-speed on-chip oscillator off Low-speed on-chip oscillator on = 125 kHz Divide-by-8, FMR27 = 1, VCA20 = 0	—	90	400	μA
		Low-speed on-chip oscillator mode	XIN clock off High-speed on-chip oscillator off Low-speed on-chip oscillator on = 125 kHz Divide-by-8, FMR27 = 1, VCA20 = 0	—	90	400	μA
		Wait mode	XIN clock off High-speed on-chip oscillator off Low-speed on-chip oscillator on = 125 kHz While a WAIT instruction is executed Peripheral clock operation VCA27 = VCA26 = VCA25 = 0, VCA20 = 1	—	15	100	μA
			XIN clock off High-speed on-chip oscillator off Low-speed on-chip oscillator on = 125 kHz While a WAIT instruction is executed Peripheral clock off VCA27 = VCA26 = VCA25 = 0, VCA20 = 1	—	4	90	μA
			XIN clock off High-speed on-chip oscillator off Low-speed on-chip oscillator off While a WAIT instruction is executed VCA27 = VCA26 = VCA25 = 0, VCA20 = 1	—	3.5	—	μA
			XIN clock off, T _{opr} = 25 °C High-speed on-chip oscillator off Low-speed on-chip oscillator off CM10 = 1 Peripheral clock off VCA27 = VCA26 = VCA25 = 0	—	2.0	5.0	μA
		Stop mode	XIN clock off, T _{opr} = 85 °C High-speed on-chip oscillator off Low-speed on-chip oscillator off CM10 = 1 Peripheral clock off VCA27 = VCA26 = VCA25 = 0	—	15	—	μA

Timing Requirements (Unless Otherwise Specified: $V_{CC} = 5\text{ V}$, $V_{SS} = 0\text{ V}$, $T_{opr} = 25\text{ }^{\circ}\text{C}$)**Table 5.56 External Clock Input (XOUT)**

Symbol	Parameter	Standard		Unit
		Min.	Max.	
$t_c(\text{XOUT})$	XOUT input cycle time	50	—	ns
$t_{WH}(\text{XOUT})$	XOUT input "H" width	24	—	ns
$t_{WL}(\text{XOUT})$	XOUT input "L" width	24	—	ns

**Figure 5.34 External Clock Input Timing Diagram when $V_{CC} = 5\text{ V}$** **Table 5.57 TRAI0 Input**

Symbol	Parameter	Standard		Unit
		Min.	Max.	
$t_c(\text{TRAIO})$	TRAIO input cycle time	100	—	ns
$t_{WH}(\text{TRAIO})$	TRAIO input "H" width	40	—	ns
$t_{WL}(\text{TRAIO})$	TRAIO input "L" width	40	—	ns

**Figure 5.35 TRAI0 Input Timing Diagram when $V_{CC} = 5\text{ V}$** **Table 5.58 TRFI Input**

Symbol	Parameter	Standard		Unit
		Min.	Max.	
$t_c(\text{TRFI})$	TRFI input cycle time	400 (1)	—	ns
$t_{WH}(\text{TRFI})$	TRFI input "H" width	200 (2)	—	ns
$t_{WL}(\text{TRFI})$	TRFI input "L" width	200 (2)	—	ns

Notes:

1. When using timer RF input capture mode, adjust the cycle time to $(1/\text{timer RF count source frequency} \times 3)$ or above.
2. When using timer RF input capture mode, adjust the pulse width to $(1/\text{timer RF count source frequency} \times 1.5)$ or above.

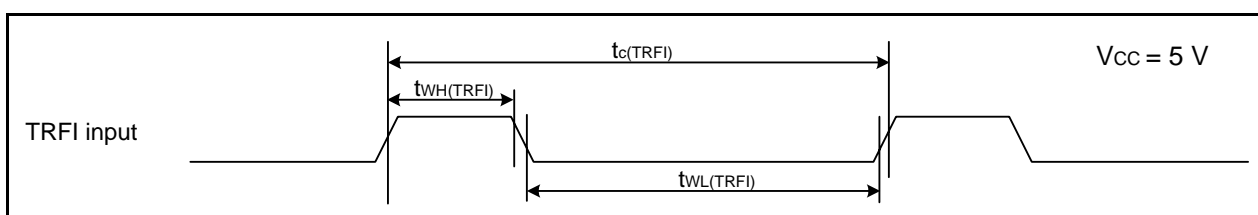
**Figure 5.36 TRFI Input Timing Diagram when $V_{CC} = 5\text{ V}$**

Table 5.59 Serial Interface

Symbol	Parameter	Standard		Unit
		Min.	Max.	
$t_{c(CK)}$	CLKi input cycle time	200	—	ns
$t_{w(CKH)}$	CLKi input "H" width	100	—	ns
$t_{w(CKL)}$	CLKi input "L" width	100	—	ns
$t_{d(C-Q)}$	TXDi output delay time	—	50	ns
$t_{h(C-Q)}$	TXDi hold time	0	—	ns
$t_{su(D-C)}$	RXDi input setup time	50	—	ns
$t_{h(C-D)}$	RXDi input hold time	90	—	ns

$i = 0$ to 3

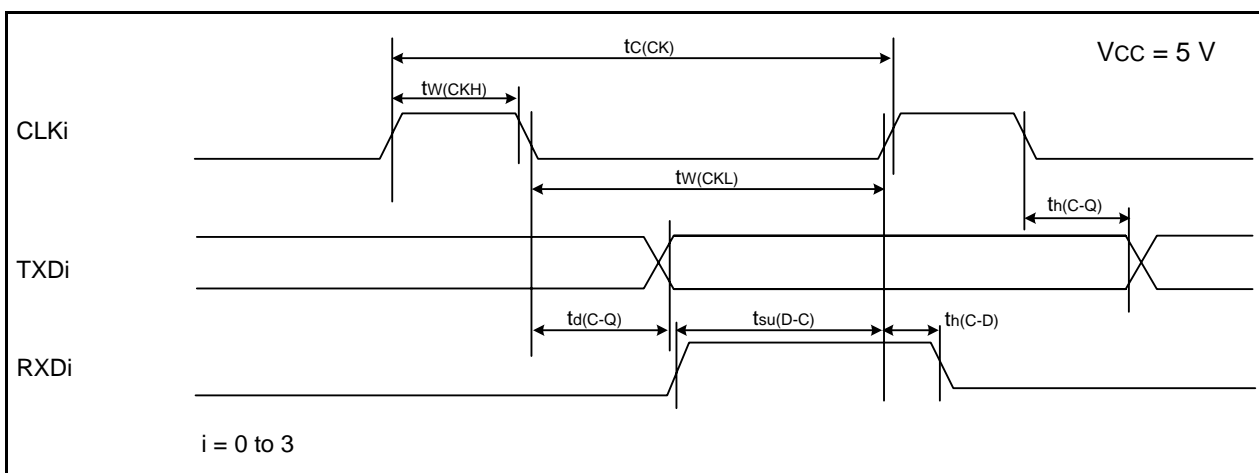


Figure 5.37 Serial Interface Timing Diagram when Vcc = 5 V

Table 5.60 External Interrupt \overline{INTi} ($i = 0$ to 4) Input, Key Input Interrupt \overline{Kli} ($i = 0$ to 3)

Symbol	Parameter	Standard		Unit
		Min.	Max.	
$t_{w(INH)}$	\overline{INTi} input "H" width, \overline{Kli} input "H" width	250 (1)	—	ns
$t_{w(INL)}$	\overline{INTi} input "L" width, \overline{Kli} input "L" width	250 (2)	—	ns

Notes:

1. When selecting the digital filter by the \overline{INTi} input filter select bit, use an \overline{INTi} input HIGH width of either (1/digital filter clock frequency \times 3) or the minimum value of standard, whichever is greater.
2. When selecting the digital filter by the \overline{INTi} input filter select bit, use an \overline{INTi} input LOW width of either (1/digital filter clock frequency \times 3) or the minimum value of standard, whichever is greater.

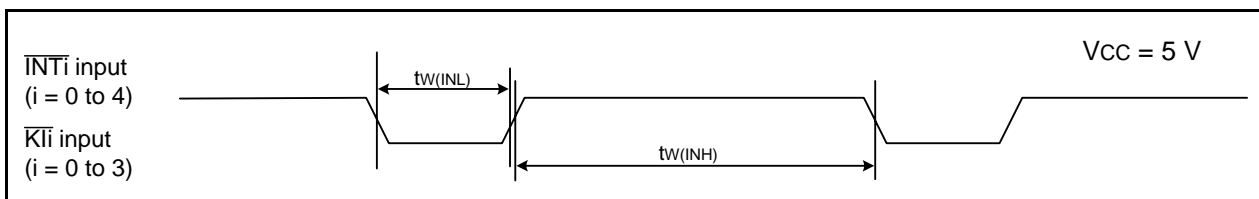


Figure 5.38 Input Timing Diagram for External Interrupt \overline{INTi} and Key Input Interrupt \overline{Kli} when Vcc = 5 V

Table 5.61 Electrical Characteristics (3) [2.7 V ≤ Vcc < 4.2 V]

Symbol	Parameter		Condition		Standard			Unit
					Min.	Typ.	Max.	
VOH	Output "H" voltage	Other than XOUT	Drive capacity High	IOH = -5 mA	Vcc - 0.5	—	Vcc	V
			Drive capacity Low	IOH = -1 mA	Vcc - 0.5	—	Vcc	V
		XOUT		IOH = -200 μA	1.0	—	Vcc	V
VOL	Output "L" voltage	Other than XOUT	Drive capacity High	IOL = 5 mA	—	—	0.5	V
			Drive capacity Low	IOL = 1 mA	—	—	0.5	V
		XOUT		IOL = 200 μA	—	—	0.5	V
VT+ - VT-	Hysteresis	INT0, INT1, INT2, INT3, INT4, K10, K11, K12, K13, TRAIO, TRCIOA, TRCIOB, TRCIOC, TRCIOD, TRFI, USB_OVRCURA, USB_VBUS, USB_ID, USB_OVRCURB, TRCTRG, TRCCLK, ADTRG, RXD0, RXD1, RXD2, RXD3, CLK0, CLK1, CLK2, CLK3, CTS2, SSI, SCL, SDA, SSO, SSCK, SCS	Vcc = 3.0 V		0.1	0.4	—	V
		RESET	Vcc = 3.0 V		0.1	0.5	—	V
IiH	Input "H" current		Vi = 3 V, Vcc = 3.0 V		—	—	4.0	μA
IiL	Input "L" current		Vi = 0 V, Vcc = 3.0 V		—	—	-4.0	μA
RPULLUP	Pull-up resistance		Vi = 0 V, Vcc = 3.0 V		42	84	168	kΩ
RfXIN	Feedback resistance	XIN			—	0.3	—	MΩ
VRAM	RAM hold voltage		During stop mode		1.8	—	—	V

Note:

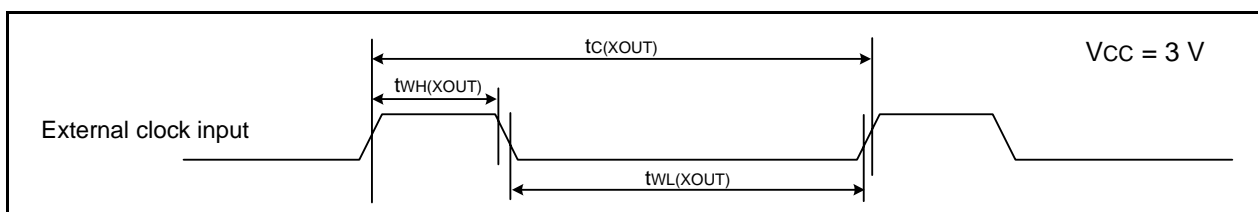
- 2.7 V ≤ Vcc < 4.2 V, Topr = -20 to 85 °C (N version)/-40 to 85 °C (D version), and f(XIN) = 10 MHz, unless otherwise specified.
- 3.0 V ≤ Vcc < 3.6 V for the USB associated pins.

Table 5.62 Electrical Characteristics (4) [$2.7\text{ V} \leq V_{CC} < 3.3\text{ V}$]
($T_{opr} = -20\text{ to }85\text{ }^{\circ}\text{C}$ (N version)/ $-40\text{ to }85\text{ }^{\circ}\text{C}$ (D version), unless otherwise specified.)

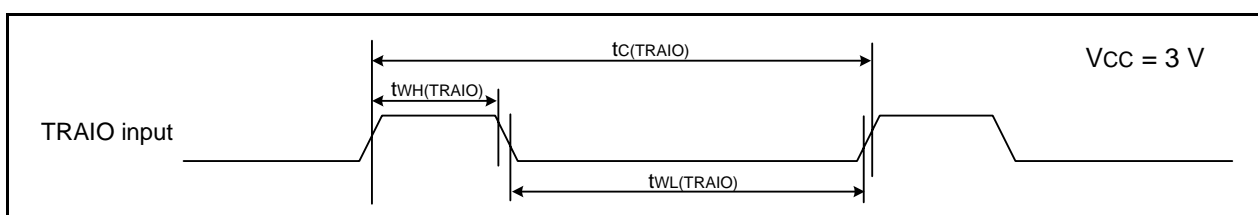
Symbol	Parameter	Condition	Standard			Unit	
			Min.	Typ.	Max.		
I _{CC}	Power supply current (V _{CC} = 2.7 to 3.3 V) Single-chip mode, output pins are open, other pins are V _{SS}	High-speed clock mode	XIN = 10 MHz (square wave) High-speed on-chip oscillator off Low-speed on-chip oscillator on = 125 kHz No division	—	3.5	10	mA
			XIN = 10 MHz (square wave) High-speed on-chip oscillator off Low-speed on-chip oscillator on = 125 kHz Divide-by-8	—	1.5	7.5	mA
		High-speed on-chip oscillator mode	XIN clock off High-speed on-chip oscillator on f _{OCO-F} = 20 MHz Low-speed on-chip oscillator on = 125 kHz No division	—	7.0	15	mA
			XIN clock off High-speed on-chip oscillator on f _{OCO-F} = 20 MHz Low-speed on-chip oscillator on = 125 kHz Divide-by-8	—	3.0	—	mA
			XIN clock off High-speed on-chip oscillator on f _{OCO-F} = 10 MHz Low-speed on-chip oscillator on = 125 kHz No division	—	4.0	—	mA
			XIN clock off High-speed on-chip oscillator on f _{OCO-F} = 10 MHz Low-speed on-chip oscillator on = 125 kHz Divide-by-8	—	1.5	—	mA
			XIN clock off High-speed on-chip oscillator on f _{OCO-F} = 4 MHz Low-speed on-chip oscillator on = 125 kHz Divide-by-16, MSTIIC = MSTTRC = 1	—	1	—	mA
		Low-speed on-chip oscillator mode	XIN clock off High-speed on-chip oscillator off Low-speed on-chip oscillator on = 125 kHz Divide-by-8, FMR27 = 1, VCA20 = 0	—	90	390	μA
		Wait mode	XIN clock off High-speed on-chip oscillator off Low-speed on-chip oscillator on = 125 kHz While a WAIT instruction is executed Peripheral clock operation VCA27 = VCA26 = VCA25 = 0, VCA20 = 1	—	15	90	μA
			XIN clock off High-speed on-chip oscillator off Low-speed on-chip oscillator on = 125 kHz While a WAIT instruction is executed Peripheral clock off VCA27 = VCA26 = VCA25 = 0, VCA20 = 1	—	4	80	μA
			XIN clock off High-speed on-chip oscillator off Low-speed on-chip oscillator off While a WAIT instruction is executed VCA27 = VCA26 = VCA25 = 0, VCA20 = 1	—	3.5	—	μA
		Stop mode	XIN clock off, T _{opr} = 25 °C High-speed on-chip oscillator off Low-speed on-chip oscillator off CM10 = 1 Peripheral clock off VCA27 = VCA26 = VCA25 = 0	—	2.0	5.0	μA
			XIN clock off, T _{opr} = 85 °C High-speed on-chip oscillator off Low-speed on-chip oscillator off CM10 = 1 Peripheral clock off VCA27 = VCA26 = VCA25 = 0	—	15	—	μA

Timing requirements (Unless Otherwise Specified: $V_{CC} = 3\text{ V}$, $V_{SS} = 0\text{ V}$, $T_{opr} = 25\text{ }^{\circ}\text{C}$)**Table 5.63 External Clock Input (XOUT)**

Symbol	Parameter	Standard		Unit
		Min.	Max.	
$t_{c(XOUT)}$	XOUT input cycle time	50	—	ns
$t_{WH(XOUT)}$	XOUT input "H" width	24	—	ns
$t_{WL(XOUT)}$	XOUT input "L" width	24	—	ns

**Figure 5.39 External Clock Input Timing Diagram when $V_{CC} = 3\text{ V}$** **Table 5.64 TRAI0 Input**

Symbol	Parameter	Standard		Unit
		Min.	Max.	
$t_{c(TRAIO)}$	TRAIO input cycle time	300	—	ns
$t_{WH(TRAIO)}$	TRAIO input "H" width	120	—	ns
$t_{WL(TRAIO)}$	TRAIO input "L" width	120	—	ns

**Figure 5.40 TRAI0 Input Timing Diagram when $V_{CC} = 3\text{ V}$** **Table 5.65 TRFI Input**

Symbol	Parameter	Standard		Unit
		Min.	Max.	
$t_{c(TRFI)}$	TRFI input cycle time	1200 (1)	—	ns
$t_{WH(TRFI)}$	TRFI input "H" width	600 (2)	—	ns
$t_{WL(TRFI)}$	TRFI input "L" width	600 (2)	—	ns

Notes:

1. When using timer RF input capture mode, adjust the cycle time to $(1/\text{timer RF count source frequency} \times 3)$ or above.
2. When using timer RF input capture mode, adjust the pulse width to $(1/\text{timer RF count source frequency} \times 1.5)$ or above.

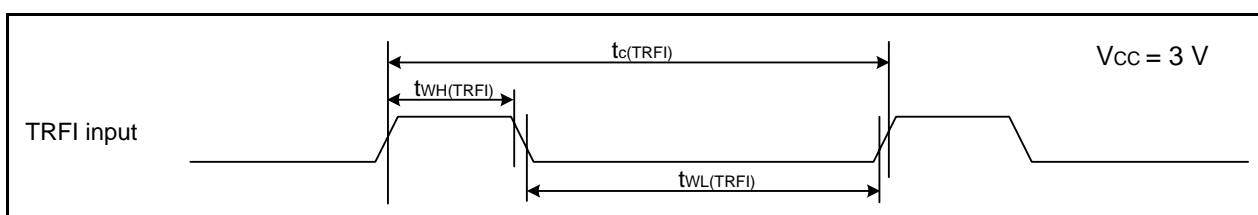
**Figure 5.41 TRFI Input Timing Diagram when $V_{CC} = 3\text{ V}$**

Table 5.66 Serial Interface

Symbol	Parameter	Standard		Unit
		Min.	Max.	
$t_{c(CK)}$	CLKi input cycle time	300	—	ns
$t_{w(CKH)}$	CLKi input "H" width	150	—	ns
$t_{w(CKL)}$	CLKi Input "L" width	150	—	ns
$t_{d(C-Q)}$	TXDi output delay time	—	80	ns
$t_{h(C-Q)}$	TXDi hold time	0	—	ns
$t_{su(D-C)}$	RXDi input setup time	70	—	ns
$t_{h(C-D)}$	RXDi input hold time	90	—	ns

$i = 0$ to 3

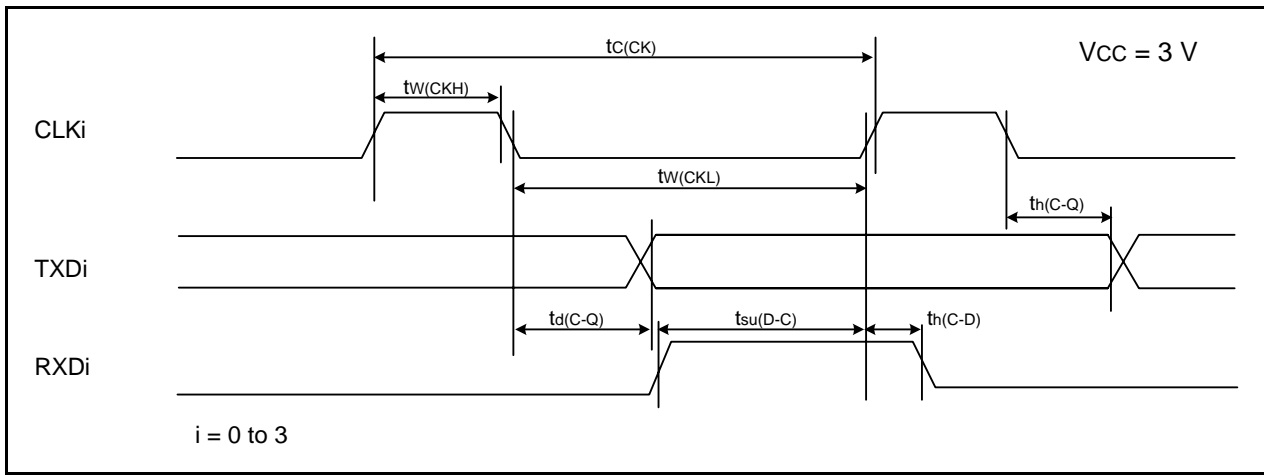


Figure 5.42 Serial Interface Timing Diagram when Vcc = 3 V

Table 5.67 External Interrupt \overline{INTi} ($i = 0$ to 4) Input, Key Input Interrupt \overline{Kli} ($i = 0$ to 3)

Symbol	Parameter	Standard		Unit
		Min.	Max.	
$t_{w(INH)}$	\overline{INTi} input "H" width, \overline{Kli} input "H" width	380 (1)	—	ns
$t_{w(INL)}$	\overline{INTi} input "L" width, \overline{Kli} input "L" width	380 (2)	—	ns

Notes:

1. When selecting the digital filter by the \overline{INTi} input filter select bit, use an \overline{INTi} input HIGH width of either (1/digital filter clock frequency $\times 3$) or the minimum value of standard, whichever is greater.
2. When selecting the digital filter by the \overline{INTi} input filter select bit, use an \overline{INTi} input LOW width of either (1/digital filter clock frequency $\times 3$) or the minimum value of standard, whichever is greater.

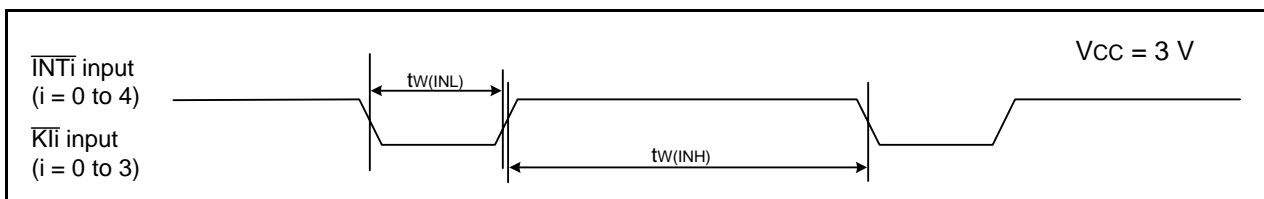


Figure 5.43 Input Timing Diagram for External Interrupt \overline{INTi} and Key Input Interrupt \overline{Kli} when Vcc = 3 V

Table 5.68 Electrical Characteristics (5) [1.8 V ≤ V_{CC} < 2.7 V]

Symbol	Parameter		Condition		Standard			Unit
					Min.	Typ.	Max.	
V _{OH}	Output "H" voltage	Other than XOUT	Drive capacity High	I _{OH} = -2 mA	V _{CC} - 0.5	—	V _{CC}	V
			Drive capacity Low	I _{OH} = -1 mA	V _{CC} - 0.5	—	V _{CC}	V
		XOUT		I _{OH} = -200 μA	1.0	—	V _{CC}	V
V _{OL}	Output "L" voltage	Other than XOUT	Drive capacity High	I _{OL} = 2 mA	—	—	0.5	V
			Drive capacity Low	I _{OL} = 1 mA	—	—	0.5	V
		XOUT		I _{OL} = 200 μA	—	—	0.5	V
V _{T+} -V _{T-}	Hysteresis	NT0, INT1, INT2, INT3, INT4, KI0, KI1, KI2, KI3, TRAIO, TRCIOA, TRCIOB, TRCIOC, TRCIOD, TRFI, TRCTRG, TRCCLK, ADTRG, RXD0, RXD1, RXD2, RXD3, CLK0, CLK1, CLK2, CLK3, CTS2, SSI, SCL, SDA, SSO, SSCK, SCS			0.05	0.20	—	V
		RESET			0.05	0.20	—	V
I _{IH}	Input "H" current		V _I = 2.2 V, V _{CC} = 2.2 V		—	—	4.0	μA
I _{IL}	Input "L" current		V _I = 0 V, V _{CC} = 2.2 V		—	—	-4.0	μA
R _{PULLUP}	Pull-up resistance		V _I = 0 V, V _{CC} = 2.2 V		70	140	300	kΩ
R _{iXIN}	Feedback resistance	XIN			—	0.3	—	MΩ
V _{RAM}	RAM hold voltage		During stop mode		1.8	—	—	V

Note:

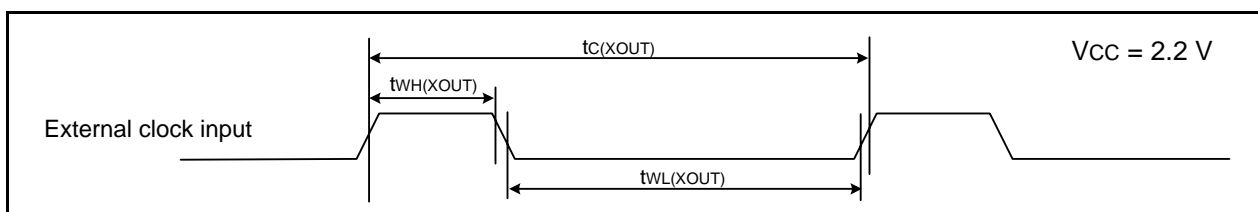
- 1.8 V ≤ V_{CC} < 2.7 V, T_{opr} = -20 to 85 °C (N version)/-40 to 85 °C (D version), and f(XIN) = 5 MHz, unless otherwise specified.

Table 5.69 Electrical Characteristics (6) [$1.8\text{ V} \leq V_{CC} < 2.7\text{ V}$]
($T_{opr} = -20\text{ to }85\text{ }^{\circ}\text{C}$ (N version)/ $-40\text{ to }85\text{ }^{\circ}\text{C}$ (D version), unless otherwise specified.)

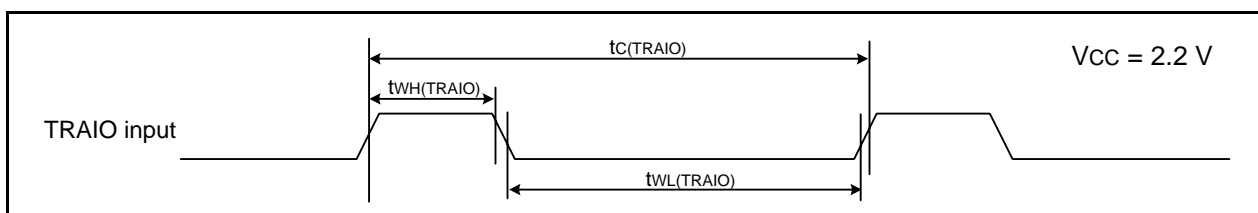
Symbol	Parameter	Condition	Standard			Unit	
			Min.	Typ.	Max.		
I _{CC}	Power supply current (V _{CC} = 1.8 to 2.7 V) Single-chip mode, output pins are open, other pins are V _{SS}	High-speed clock mode	XIN = 5 MHz (square wave) High-speed on-chip oscillator off Low-speed on-chip oscillator on = 125 kHz No division	—	2.2	—	mA
			XIN = 5 MHz (square wave) High-speed on-chip oscillator off Low-speed on-chip oscillator on = 125 kHz Divide-by-8	—	0.8	—	mA
		High-speed on-chip oscillator mode	XIN clock off High-speed on-chip oscillator on f _{OCO-F} = 5 MHz Low-speed on-chip oscillator on = 125 kHz No division	—	2.5	10	mA
			XIN clock off High-speed on-chip oscillator on f _{OCO-F} = 5 MHz Low-speed on-chip oscillator on = 125 kHz Divide-by-8	—	1.7	—	mA
			XIN clock off High-speed on-chip oscillator on f _{OCO-F} = 4 MHz Low-speed on-chip oscillator on = 125 kHz Divide-by-16, MSTIIC = MSTTRC = 1	—	1	—	mA
		Low-speed on-chip oscillator mode	XIN clock off High-speed on-chip oscillator off Low-speed on-chip oscillator on = 125 kHz Divide-by-8, FMR27 = 1, VCA20 = 0	—	90	300	μA
		Wait mode	XIN clock off High-speed on-chip oscillator off Low-speed on-chip oscillator on = 125 kHz While a WAIT instruction is executed Peripheral clock operation VCA27 = VCA26 = VCA25 = 0, VCA20 = 1	—	15	90	μA
			XIN clock off High-speed on-chip oscillator off Low-speed on-chip oscillator on = 125 kHz While a WAIT instruction is executed Peripheral clock off VCA27 = VCA26 = VCA25 = 0, VCA20 = 1	—	4	80	μA
			XIN clock off High-speed on-chip oscillator off Low-speed on-chip oscillator off While a WAIT instruction is executed VCA27 = VCA26 = VCA25 = 0, VCA20 = 1	—	3.5	—	μA
		Stop mode	XIN clock off, T _{opr} = 25 °C High-speed on-chip oscillator off Low-speed on-chip oscillator off CM10 = 1 Peripheral clock off VCA27 = VCA26 = VCA25 = 0	—	2.0	5	μA
			XIN clock off, T _{opr} = 85 °C High-speed on-chip oscillator off Low-speed on-chip oscillator off CM10 = 1 Peripheral clock off VCA27 = VCA26 = VCA25 = 0	—	15	—	μA

Timing requirements (Unless Otherwise Specified: $V_{CC} = 2.2\text{ V}$, $V_{SS} = 0\text{ V}$, $T_{opr} = 25\text{ }^{\circ}\text{C}$)**Table 5.70 External Clock Input (XOUT)**

Symbol	Parameter	Standard		Unit
		Min.	Max.	
$t_{c(XOUT)}$	XOUT input cycle time	200	—	ns
$t_{WH(XOUT)}$	XOUT input "H" width	90	—	ns
$t_{WL(XOUT)}$	XOUT input "L" width	90	—	ns

**Figure 5.44 External Clock Input Timing Diagram when $V_{CC} = 2.2\text{ V}$** **Table 5.71 TRAI0 Input**

Symbol	Parameter	Standard		Unit
		Min.	Max.	
$t_{c(TRAI0)}$	TRAI0 input cycle time	500	—	ns
$t_{WH(TRAI0)}$	TRAI0 input "H" width	200	—	ns
$t_{WL(TRAI0)}$	TRAI0 input "L" width	200	—	ns

**Figure 5.45 TRAI0 Input Timing Diagram when $V_{CC} = 2.2\text{ V}$** **Table 5.72 TRFI Input**

Symbol	Parameter	Standard		Unit
		Min.	Max.	
$t_{c(TRFI)}$	TRFI input cycle time	2000 (1)	—	ns
$t_{WH(TRFI)}$	TRFI input "H" width	1000 (2)	—	ns
$t_{WL(TRFI)}$	TRFI input "L" width	1000 (2)	—	ns

Notes:

1. When using timer RF input capture mode, adjust the cycle time to $(1/\text{timer RF count source frequency} \times 3)$ or above.
2. When using timer RF input capture mode, adjust the pulse width to $(1/\text{timer RF count source frequency} \times 1.5)$ or above.

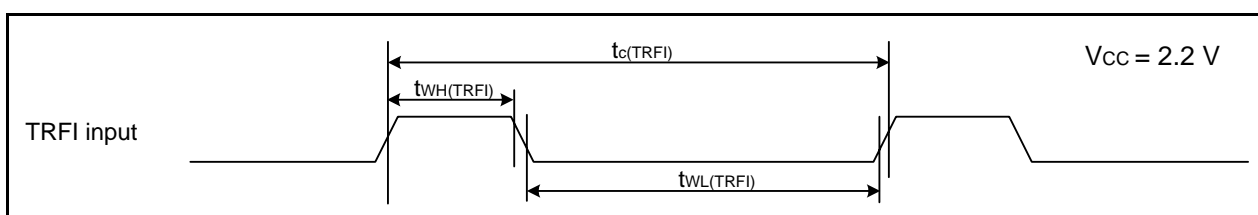
**Figure 5.46 TRFI Input Timing Diagram when $V_{CC} = 2.2\text{ V}$**

Table 5.73 Serial Interface

Symbol	Parameter	Standard		Unit
		Min.	Max.	
$t_{c(CK)}$	CLKi input cycle time	800	—	ns
$t_{w(CKH)}$	CLKi input "H" width	400	—	ns
$t_{w(CKL)}$	CLKi input "L" width	400	—	ns
$t_{d(C-Q)}$	TXDi output delay time	—	200	ns
$t_{h(C-Q)}$	TXDi hold time	0	—	ns
$t_{su(D-C)}$	RXDi input setup time	150	—	ns
$t_{h(C-D)}$	RXDi input hold time	90	—	ns

$i = 0$ to 3

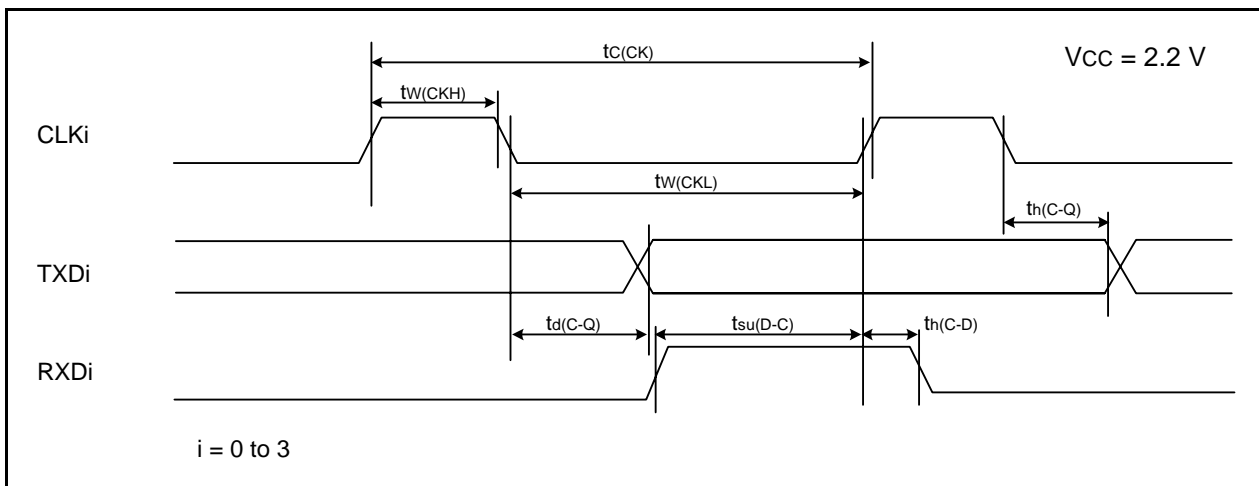


Figure 5.47 Serial Interface Timing Diagram when Vcc = 2.2 V

Table 5.74 External Interrupt \overline{INTi} ($i = 0$ to 4) Input, Key Input Interrupt \overline{Kli} ($i = 0$ to 3)

Symbol	Parameter	Standard		Unit
		Min.	Max.	
$t_{w(INH)}$	\overline{INTi} input "H" width, \overline{Kli} input "H" width	1000 (1)	—	ns
$t_{w(INL)}$	\overline{INTi} input "L" width, \overline{Kli} input "L" width	1000 (2)	—	ns

Notes:

1. When selecting the digital filter by the \overline{INTi} input filter select bit, use an \overline{INTi} input HIGH width of either (1/digital filter clock frequency \times 3) or the minimum value of standard, whichever is greater.
2. When selecting the digital filter by the \overline{INTi} input filter select bit, use an \overline{INTi} input LOW width of either (1/digital filter clock frequency \times 3) or the minimum value of standard, whichever is greater.

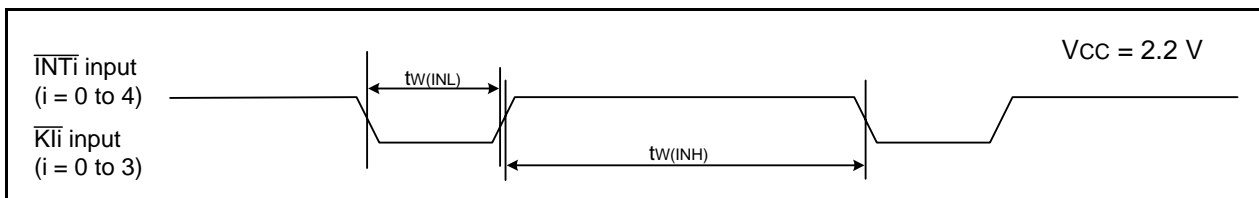


Figure 5.48 Input Timing Diagram for External Interrupt \overline{INTi} and Key Input Interrupt \overline{Kli} when Vcc = 2.2 V

Package Dimensions

Diagrams showing the latest package dimensions and mounting information are available in the “Packages” section of the Renesas Electronics website.

JEITA Package Code P-LQFP48-7x7-0.50	RENESAS Code PLQP0048KB-A	Previous Code 48P6Q-A	MASS[Typ.] 0.2g
---	------------------------------	--------------------------	--------------------

NOTE)
 1. DIMENSIONS **1* AND **2* DO NOT INCLUDE MOLD FLASH.
 2. DIMENSION **3* DOES NOT INCLUDE TRIM OFFSET.

Reference Symbol	Dimension in Millimeters		
	Min	Nom	Max
D	6.9	7.0	7.1
E	6.9	7.0	7.1
A ₂	—	1.4	—
H _D	8.8	9.0	9.2
H _E	8.8	9.0	9.2
A	—	—	1.7
A ₁	0	0.1	0.2
b _p	0.17	0.22	0.27
b ₁	—	0.20	—
c	0.09	0.145	0.20
c ₁	—	0.125	—
φ	0°	—	8°
⓪	—	0.5	—
x	—	—	0.08
y	—	—	0.10
Z _D	—	0.75	—
Z _E	—	0.75	—
L	0.35	0.5	0.65
L ₁	—	1.0	—

REVISION HISTORY	R8C/34U Group, R8C/34K Group Datasheet
------------------	--

Rev.	Date	Description	
		Page	Summary
• R8C/34U Group Datasheet (R01DS0039EJ0100)			
0.01	Nov 08, 2010	—	First Edition issued
1.00	Feb 25, 2011	All pages	“Preliminary”, “Under development” deleted
		3	Table 1.2 revised
		4	Table 1.3, Figure 1.1 revised
		5	Figure 1.2 revised
		6	Figure 1.3 revised
		7	Table 1.4 revised
		9	Table 1.6 revised
		10	Table 1.7 revised
		14	3.1 revised, Figure 3.1 “Part Number” added
		15	Table 4.1 0026h revised
		16	Table 4.2 0041h revised, 0050h, 005Bh, 005Ch and 005Fh added
		17	Table 4.3 0090h and 00BBh revised
		21	Table 4.7 0181h revised
		26	Table 4.12 2E04h and 2E05h revised
		27	Table 4.13 2E40h and 2E41h revised 2E42h, 2E43h, 2E6Eh and 2E6Fh deleted
		29	Table 4.15 2F04h, 2F11h and 2F13h deleted, 2F10h added
		30 to 57	5. Electrical Characteristics added
• R8C/34K Group Datasheet (R01DS0040EJ0100)			
0.01	Nov 08, 2010	—	First Edition issued
1.00	Feb 25, 2011	All pages	“Preliminary”, “Under development” deleted
		3	Table 1.2 revised
		4	Table 1.3, Figure 1.1 revised
		5	Figure 1.2 revised
		6	Figure 1.3 revised
		7	Table 1.4 revised
		9	Table 1.6 revised
		10	Table 1.7 revised
		14	3.1 revised, Figure 3.1 “Part Number” added
		15	Table 4.1 0026h revised
		16	Table 4.2 0050h, 005Bh, 005Ch and 005Fh added
		17	Table 4.3 0090h and 00BBh revised
		21	Table 4.7 0181h revised
		26	Table 4.12 2E04h and 2E05h revised
		27	Table 4.13 2E3Ch and 2E3Dh added, 2E40h and 2E41h revised
		28	Table 4.14 2ED2h to 2ED7h deleted
		29	Table 4.15 2F04h and 2F13h deleted
		30 to 57	5. Electrical Characteristics added

REVISION HISTORY	R8C/34U Group, R8C/34K Group Datasheet
------------------	--

Rev.	Date	Description	
		Page	Summary
1.10	Jun 15, 2011	All pages	R8C/34U Group Datasheet (R01DS0039EJ0100) and R8C/34K Group Datasheet (R01DS0040EJ0100): revised and combined into one document
		2	1.1.2, Table 1.1 added
		4	Table 1.3 USB Functions: Specification revised (34U Group)
			Table 1.9 USB: Description revised (34U Group)
		18	3.1 revised
		19	3.2 revised
		32	Table 4.13 revised
		33	Table 4.14 2ED2h to 2ED7h revised (34U Group)
		36	Table 5.2 "tsu(PLL): PLL frequency synthesizer stabilization" added
64	Table 5.39 "tsu(PLL): PLL frequency synthesizer stabilization" added		

All trademarks and registered trademarks are the property of their respective owners.

General Precautions in the Handling of MPU/MCU Products

The following usage notes are applicable to all MPU/MCU products from Renesas. For detailed usage notes on the products covered by this manual, refer to the relevant sections of the manual. If the descriptions under General Precautions in the Handling of MPU/MCU Products and in the body of the manual differ from each other, the description in the body of the manual takes precedence.

1. Handling of Unused Pins

Handle unused pins in accord with the directions given under Handling of Unused Pins in the manual.

- The input pins of CMOS products are generally in the high-impedance state. In operation with an unused pin in the open-circuit state, extra electromagnetic noise is induced in the vicinity of LSI, an associated shoot-through current flows internally, and malfunctions occur due to the false recognition of the pin state as an input signal become possible. Unused pins should be handled as described under Handling of Unused Pins in the manual.

2. Processing at Power-on

The state of the product is undefined at the moment when power is supplied.

- The states of internal circuits in the LSI are indeterminate and the states of register settings and pins are undefined at the moment when power is supplied.

In a finished product where the reset signal is applied to the external reset pin, the states of pins are not guaranteed from the moment when power is supplied until the reset process is completed.

In a similar way, the states of pins in a product that is reset by an on-chip power-on reset function are not guaranteed from the moment when power is supplied until the power reaches the level at which resetting has been specified.

3. Prohibition of Access to Reserved Addresses

Access to reserved addresses is prohibited.

- The reserved addresses are provided for the possible future expansion of functions. Do not access these addresses; the correct operation of LSI is not guaranteed if they are accessed.

4. Clock Signals

After applying a reset, only release the reset line after the operating clock signal has become stable. When switching the clock signal during program execution, wait until the target clock signal has stabilized.

- When the clock signal is generated with an external resonator (or from an external oscillator) during a reset, ensure that the reset line is only released after full stabilization of the clock signal. Moreover, when switching to a clock signal produced with an external resonator (or by an external oscillator) while program execution is in progress, wait until the target clock signal is stable.

5. Differences between Products

Before changing from one product to another, i.e. to one with a different part number, confirm that the change will not lead to problems.

- The characteristics of MPU/MCU in the same group but having different part numbers may differ because of the differences in internal memory capacity and layout pattern. When changing to products of different part numbers, implement a system-evaluation test for each of the products.

Notice

- All information included in this document is current as of the date this document is issued. Such information, however, is subject to change without any prior notice. Before purchasing or using any Renesas Electronics products listed herein, please confirm the latest product information with a Renesas Electronics sales office. Also, please pay regular and careful attention to additional and different information to be disclosed by Renesas Electronics such as that disclosed through our website.
 - Renesas Electronics does not assume any liability for infringement of patents, copyrights, or other intellectual property rights of third parties by or arising from the use of Renesas Electronics products or technical information described in this document. No license, express, implied or otherwise, is granted hereby under any patents, copyrights or other intellectual property rights of Renesas Electronics or others.
 - You should not alter, modify, copy, or otherwise misappropriate any Renesas Electronics product, whether in whole or in part.
 - Descriptions of circuits, software and other related information in this document are provided only to illustrate the operation of semiconductor products and application examples. You are fully responsible for the incorporation of these circuits, software, and information in the design of your equipment. Renesas Electronics assumes no responsibility for any losses incurred by you or third parties arising from the use of these circuits, software, or information.
 - When exporting the products or technology described in this document, you should comply with the applicable export control laws and regulations and follow the procedures required by such laws and regulations. You should not use Renesas Electronics products or the technology described in this document for any purpose relating to military applications or use by the military, including but not limited to the development of weapons of mass destruction. Renesas Electronics products and technology may not be used for or incorporated into any products or systems whose manufacture, use, or sale is prohibited under any applicable domestic or foreign laws or regulations.
 - Renesas Electronics has used reasonable care in preparing the information included in this document, but Renesas Electronics does not warrant that such information is error free. Renesas Electronics assumes no liability whatsoever for any damages incurred by you resulting from errors in or omissions from the information included herein.
 - Renesas Electronics products are classified according to the following three quality grades: "Standard", "High Quality", and "Specific". The recommended applications for each Renesas Electronics product depends on the product's quality grade, as indicated below. You must check the quality grade of each Renesas Electronics product before using it in a particular application. You may not use any Renesas Electronics product for any application categorized as "Specific" without the prior written consent of Renesas Electronics. Further, you may not use any Renesas Electronics product for any application for which it is not intended without the prior written consent of Renesas Electronics. Renesas Electronics shall not be in any way liable for any damages or losses incurred by you or third parties arising from the use of any Renesas Electronics product for an application categorized as "Specific" or for which the product is not intended where you have failed to obtain the prior written consent of Renesas Electronics. The quality grade of each Renesas Electronics product is "Standard" unless otherwise expressly specified in a Renesas Electronics data sheets or data books, etc.
"Standard": Computers; office equipment; communications equipment; test and measurement equipment; audio and visual equipment; home electronic appliances; machine tools; personal electronic equipment; and industrial robots.
"High Quality": Transportation equipment (automobiles, trains, ships, etc.); traffic control systems; anti-disaster systems; anti-crime systems; safety equipment; and medical equipment not specifically designed for life support.
"Specific": Aircraft; aerospace equipment; submersible repeaters; nuclear reactor control systems; medical equipment or systems for life support (e.g. artificial life support devices or systems), surgical implantations, or healthcare intervention (e.g. excision, etc.), and any other applications or purposes that pose a direct threat to human life.
 - You should use the Renesas Electronics products described in this document within the range specified by Renesas Electronics, especially with respect to the maximum rating, operating supply voltage range, movement power voltage range, heat radiation characteristics, installation and other product characteristics. Renesas Electronics shall have no liability for malfunctions or damages arising out of the use of Renesas Electronics products beyond such specified ranges.
 - Although Renesas Electronics endeavors to improve the quality and reliability of its products, semiconductor products have specific characteristics such as the occurrence of failure at a certain rate and malfunctions under certain use conditions. Further, Renesas Electronics products are not subject to radiation resistance design. Please be sure to implement safety measures to guard them against the possibility of physical injury, and injury or damage caused by fire in the event of the failure of a Renesas Electronics product, such as safety design for hardware and software including but not limited to redundancy, fire control and malfunction prevention, appropriate treatment for aging degradation or any other appropriate measures. Because the evaluation of microcomputer software alone is very difficult, please evaluate the safety of the final products or system manufactured by you.
 - Please contact a Renesas Electronics sales office for details as to environmental matters such as the environmental compatibility of each Renesas Electronics product. Please use Renesas Electronics products in compliance with all applicable laws and regulations that regulate the inclusion or use of controlled substances, including without limitation, the EU RoHS Directive. Renesas Electronics assumes no liability for damages or losses occurring as a result of your noncompliance with applicable laws and regulations.
 - This document may not be reproduced or duplicated, in any form, in whole or in part, without prior written consent of Renesas Electronics.
 - Please contact a Renesas Electronics sales office if you have any questions regarding the information contained in this document or Renesas Electronics products, or if you have any other inquiries.
- (Note 1) "Renesas Electronics" as used in this document means Renesas Electronics Corporation and also includes its majority-owned subsidiaries.
(Note 2) "Renesas Electronics product(s)" means any product developed or manufactured by or for Renesas Electronics.



SALES OFFICES

Renesas Electronics Corporation

<http://www.renesas.com>

Refer to "<http://www.renesas.com/>" for the latest and detailed information.

Renesas Electronics America Inc.
2880 Scott Boulevard Santa Clara, CA 95050-2554, U.S.A.
Tel: +1-408-588-6000, Fax: +1-408-588-6130

Renesas Electronics Canada Limited
1101 Nicholson Road, Newmarket, Ontario L3Y 9C3, Canada
Tel: +1-905-898-5441, Fax: +1-905-898-3220

Renesas Electronics Europe Limited
Dukes Meadow, Millboard Road, Bourne End, Buckinghamshire, SL8 5FH, U.K.
Tel: +44-1628-585-100, Fax: +44-1628-585-900

Renesas Electronics Europe GmbH
Arcadiastrasse 10, 40472 Düsseldorf, Germany
Tel: +49-211-65030, Fax: +49-211-6503-1327

Renesas Electronics (China) Co., Ltd.
7th Floor, Quantum Plaza, No.27 ZhiChunLu Haidian District, Beijing 100083, P.R.China
Tel: +86-10-8235-1155, Fax: +86-10-8235-7679

Renesas Electronics (Shanghai) Co., Ltd.
Unit 204, 205, AZIA Center, No.1233 Lujiazui Ring Rd., Pudong District, Shanghai 200120, China
Tel: +86-21-5877-1818, Fax: +86-21-6887-7858 / -7898

Renesas Electronics Hong Kong Limited
Unit 1601-1613, 16/F., Tower 2, Grand Century Place, 193 Prince Edward Road West, Mongkok, Kowloon, Hong Kong
Tel: +852-2886-9318, Fax: +852 2886-9022/9044

Renesas Electronics Taiwan Co., Ltd.
13F, No. 363, Fu Shing North Road, Taipei, Taiwan
Tel: +886-2-8175-9600, Fax: +886 2-8175-9670

Renesas Electronics Singapore Pte. Ltd.
1 HarbourFront Avenue, #06-10, Keppel Bay Tower, Singapore 098632
Tel: +65-6213-0200, Fax: +65-6276-8001

Renesas Electronics Malaysia Sdn.Bhd.
Unit 906, Block B, Menara Amcorp, Amcorp Trade Centre, No. 18, Jln Persiaran Barat, 46050 Petaling Jaya, Selangor Darul Ehsan, Malaysia
Tel: +60-3-7955-9390, Fax: +60-3-7955-9510

Renesas Electronics Korea Co., Ltd.
11F., Samik Lavied' or Bldg., 720-2 Yeoksam-Dong, Kangnam-Ku, Seoul 135-080, Korea
Tel: +82-2-558-3737, Fax: +82-2-558-5141

X-ON Electronics

Largest Supplier of Electrical and Electronic Components

Click to view similar products for [ARM Microcontrollers - MCU category](#):

Click to view products by [Renesas manufacturer](#):

Other Similar products are found below :

[MB9BF566NPMC-G-JNE2](#) [MK60DX256ZVMD10](#) [MKE02Z32VLC4R](#) [R7FS3A77C2A01CLK#AC1](#) [STM32F205ZGT6J](#)
[STM32F439ZGY6TR](#) [CG8360AM](#) [CP8363AT](#) [CP8570AT](#) [R7FS7G27H2A01CLK#AC0](#) [CY8C4245LTI-DM405](#) [CY8C4245PVS-482](#)
[MB9BF106NAPMC-G-JNE1](#) [MB9BF122LPMC1-G-JNE2](#) [MB9BF122LPMC-G-JNE2](#) [MB9BF128SAPMC-GE2](#) [MB9BF218TBGL-GE1](#)
[MB9BF529TBGL-GE1](#) [XMC4500-E144F1024 AC](#) [MVF62NN151CMK40](#) [CP8347AT](#) [XMC4402-F64K256 AB](#) [AT91SAM7XC128B-AUR](#)
[STM32L063C8T6](#) [STM32F215ZET6TR](#) [MKE06Z64VLD4](#) [MKE02Z16VLC2R](#) [ATSAMD20G18A-UUT](#) [MAX32631ICQ+](#)
[MAX32630IWG+T](#) [MAX32630ICQ+](#) [SIM3L167-C-GQR](#) [STM32L052C8T6D](#) [5962-8506403MQA](#) [R7FS124773A01CNB#AC0](#) [MC-](#)
[10105F1-821-FNA-M1-A](#) [STM32L031C6T6](#) [MK22FN512VDC12R](#) [SPC560B54L3C6E0X](#) [STM32F411CEU6TR](#) [STM32F769AIY6TR](#)
[STM32F042G4U6TR](#) [MB9AF342MAPMC-G-JNE2](#) [S6E2CC8J0AGV2000A](#) [MB9AF008LWPMC-G-UNE2](#) [MB9AF131KAPMC-G-SNE2](#)
[STM32F412ZGT6TR](#) [MB9BF121KPMC-G-JNE2](#) [STM32L011K4T6D](#) [VA10800-D000003PCA](#)