

RX113 Group Renesas MCUs

R01DS0216EJ0120

Rev.1.20

Sep 07, 2020

32 MHz, 32-bit RX MCUs, 50 DMIPS, up to 512 Kbytes of flash memory, USB 2.0 full-speed host/function/OTG, up to 12 comms channels, serial sound interface, LCD controller/driver, capacitive touch sensing unit, 12-bit A/D, 12-bit D/A, RTC

Features

■ 32-bit RX CPU core

- 32 MHz maximum operating frequency
- Capable of 50 DMIPS when operating at 32 MHz
- Accumulator handles 64-bit results (for a single instruction) from 32-bit × 32-bit operations
- Multiplication and division unit handles 32-bit × 32-bit operations (multiplication instructions take one CPU clock cycle)
- Fast interrupt
- CISC Harvard architecture with five-stage pipeline
- Variable-length instruction format, ultra-compact code
- On-chip debugging circuit

■ Low power consumption functions

- Operation from a single 1.8 to 3.6 V supply
- Three low power consumption modes
- Low power timer (LPT) that operates during the software standby state
- Supply current
- High-speed operating mode: 0.11 mA/MHz
- Software standby mode: 0.44 μA
- Recovery time from software standby mode: 4.8 μs

■ On-chip flash memory for code, no wait states

- Operation at 32 MHz, read cycle of 31.25 ns
- No wait states for reading at full CPU speed
- 128 to 512 Kbyte capacities
- Programmable at 1.8 V
- For instructions and operands

■ On-chip data flash memory

- 8 Kbytes
- 1,000,000 Erase/Write cycles (typ.)
- BGO (Background Operation)

■ On-chip SRAM, no wait states

- 32 and 64 Kbyte capacities

■ Data transfer controller (DTC)

- Four transfer modes
- Transfer can be set for each interrupt source.

■ Event link controller (ELC)

- Module operation can be initiated by event signals without going through interrupts.
- Link operation between modules is possible while the CPU is sleeping.

■ Reset and power supply voltage management

- Six types including Power-On Reset (POR)
- Low voltage detection (LVD) with voltage settings

■ Clock functions

- External clock input frequency: Up to 20 MHz
- Main clock oscillator frequency: 1 to 20 MHz
- Sub-clock oscillator frequency: 32.768 kHz
- PLL circuit input: 4 to 8 MHz
- Low-speed on-chip oscillator: 4 MHz
- High-speed on-chip oscillator: 32 MHz ±1% (-20 to 85°C)
- USB-dedicated PLL circuit: 6 and 8 MHz
- IWDT-dedicated on-chip oscillator: 15 kHz
- Generate a dedicated 32.768-kHz clock for the RTC
- On-chip clock frequency accuracy measurement circuit (CAC)

■ Realtime clock (RTC)

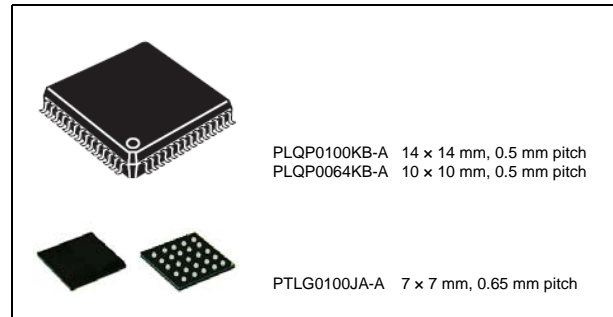
- 30-second, leap year, and error adjustment functions
- Calendar count mode or binary count mode selectable
- Capable of initiating exit from software standby mode

■ Independent watchdog timer (IWDT)

- 15-kHz on-chip oscillator produces a dedicated clock signal to drive IWDT operation.

■ On-chip functions for IEC 60730 compliance

- Clock frequency accuracy measurement circuit, IWDT, functions to assist in RAM testing, etc.



■ Up to 12 channels for communication

- USB: USB 2.0 host/function/On-The-Go (OTG) (one channel), full-speed = 12 Mbps, low-speed = 1.5 Mbps, isochronous transfer, and BC (Battery Charger) supported
- SCI: Asynchronous mode, clock synchronous mode, smart card interface (up to eight channels)
- IrDA interface (one channel, in cooperation with SCI5)
- I²C bus interface: Transfer at up to 400 kbps, capable of SMBus operation (one channel)
- RSPI: Up to 16 Mbps (one channel)
- Serial sound interface (SSI) (one channel)

■ Up to 14 extended-function timers

- 16-bit MTU: Input capture/output compare, complementary PWM output, phase counting mode (six channels)
- 8-bit TMR (four channels)
- 16-bit CMT (four channels)

■ LCD controller/driver

- Segment signal output × common signal output: 40 × 4, 36 × 8
- On-chip voltage boost circuit, contrast adjustment, and 5-V panel supported
- Blinking function

■ 12-bit A/D converter

- Up to 17 channels
- 1.0 μs minimum conversion speed
- Double trigger (data duplication) function for motor control

■ 12-bit D/A converter

- Two channels

■ Comparator B

- Two channels

■ Capacitive touch sensing unit (CTSU)

- Detection pins: 12 channels (for 100 pins only)
- High-sensitive electrostatic capacitance detection using self-capacitance and mutual capacitance methods
- On-chip noise canceller that enables high tolerance to disturbance noise
- Also supports a mutual capacitance method that allows touch channels to be increased with low pin counts

■ Temperature sensor

■ General I/O ports

- 5-V tolerant, open drain, input pull-up

■ Multi-function pin controller (MPC)

- Multiple I/O pins can be selected for peripheral functions.

■ Unique ID

- 32-byte ID code for the MCU

■ Operating temperature range

- -40 to +85°C
- -40 to +105°C

1. Overview

1.1 Outline of Specifications

Table 1.1 lists the specifications, and Table 1.2 gives a comparison of the functions of the products in different packages.

Table 1.1 is for products with the greatest number of functions, so the number of peripheral modules and channels will differ in accordance with the package type. For details, see Table 1.2, Comparison of Functions for Different Packages.

Table 1.1 Outline of Specifications (1/3)

Classification	Module/Function	Description
CPU	CPU	<ul style="list-style-type: none"> Maximum operating frequency: 32 MHz 32-bit RX CPU Minimum instruction execution time: One instruction per clock cycle Address space: 4-Gbyte linear Register set <ul style="list-style-type: none"> General purpose: Sixteen 32-bit registers Control: Eight 32-bit registers Accumulator: One 64-bit register Basic instructions: 73 DSP instructions: 9 Addressing modes: 10 Data arrangement <ul style="list-style-type: none"> Instructions: Little endian Data: Selectable as little endian or big endian On-chip 32-bit multiplier: 32-bit × 32-bit → 64-bit On-chip divider: 32-bit ÷ 32-bit → 32 bits Barrel shifter: 32 bits
Memory	ROM	<ul style="list-style-type: none"> Capacity: 128 K/256 K/384 K/512 Kbytes 32 MHz, no-wait memory access Programming/erasing method: <ul style="list-style-type: none"> Serial programming (asynchronous serial communication/USB communication), self-programming
	RAM	<ul style="list-style-type: none"> Capacity: 32 K/64 Kbytes 32 MHz, no-wait memory access
	E2 DataFlash	<ul style="list-style-type: none"> Capacity: 8 Kbytes Number of erase/write cycles: 1,000,000 (typ)
MCU operating mode		Single-chip mode
Clock	Clock generation circuit	<ul style="list-style-type: none"> Main clock oscillator, sub-clock oscillator, low-speed on-chip oscillator, high-speed on-chip oscillator, PLL frequency synthesizer, USB-dedicated PLL frequency synthesizer, and IWDTC-dedicated on-chip oscillator Oscillation stop detection: Available Clock frequency accuracy measurement circuit (CAC) Independent settings for the system clock (ICLK), peripheral module clock (PCLK), and FlashIF clock (FCLK) <ul style="list-style-type: none"> The CPU and system sections such as other bus masters run in synchronization with the system clock (ICLK): 32 MHz (at max.) Peripheral modules run in synchronization with the PCLK: 32 MHz (at max.) The flash peripheral circuit runs in synchronization with the FCLK: 32 MHz (at max.) The ICLK frequency can only be set to FCLK, PCLKB, or PCLKD multiplied by n (n: 1, 2, 4, 8, 16, 32, 64).
Resets		RES# pin reset, power-on reset, voltage monitoring reset, independent watchdog timer reset, and software reset
Voltage detection	Voltage detection circuit (LVDAa)	<ul style="list-style-type: none"> When the voltage on VCC falls below the voltage detection level, an internal reset or internal interrupt is generated. Voltage detection circuit 1 is capable of selecting the detection voltage from 10 levels Voltage detection circuit 2 is capable of selecting the detection voltage from 4 levels
Low power consumption	Low power consumption functions	<ul style="list-style-type: none"> Module stop function Three low power consumption modes <ul style="list-style-type: none"> Sleep mode, deep sleep mode, and software standby mode
	Function for lower operating power consumption	<ul style="list-style-type: none"> Operating power control modes <ul style="list-style-type: none"> High-speed operating mode, middle-speed operating mode, and low-speed operating mode
Interrupt	Interrupt controller (ICUb)	<ul style="list-style-type: none"> Interrupt vectors: 120 External interrupts: 9 (NMI, IRQ0 to IRQ7 pins) Non-maskable interrupts: 4 (NMI pin, voltage monitoring 1 interrupt, voltage monitoring 2 interrupt, and IWDTC interrupt) 16 levels specifiable for the order of priority

Table 1.1 Outline of Specifications (2/3)

Classification	Module/Function	Description
DMA	Data transfer controller (DTCa)	<ul style="list-style-type: none"> Transfer modes: Normal transfer, repeat transfer, and block transfer Activation sources: Interrupts Chain transfer function
I/O ports	General I/O ports	<ul style="list-style-type: none"> 100-pin/64-pin I/O: 82/46 Input: 1/1 Pull-up resistors: 71/41 Open-drain outputs: 60/34 5-V tolerance: 4/4
	Event link controller (ELC)	<ul style="list-style-type: none"> Event signals of 44 types can be directly connected to the module Operations of timer modules are selectable at event input Capable of event link operation for port B
	Multi-function pin controller (MPC)	Capable of selecting the input/output function from multiple pins
Timers	Multi-function timer pulse unit 2 (MTU2a)	<ul style="list-style-type: none"> (16 bits × 6 channels) × 1 unit Time bases for the six 16-bit timer channels can be provided via up to 16 pulse-input/output lines and three pulse-input lines Select from among eight or seven counter-input clock signals for each channel (PCLK/1, PCLK/4, PCLK/16, PCLK/64, PCLK/256, PCLK/1024, MTCLKA, MTCLKB, MTCLKC, MTCLKD) other than channel 5, for which only four signals are available. Input capture function 21 output compare/input capture registers Pulse output mode Complementary PWM output mode Reset synchronous PWM mode Phase-counting mode Capable of generating conversion start triggers for the A/D converter
	Port output enable 2 (POE2a)	Controls the high-impedance state of the MTU's waveform output pins
	Compare match timer (CMT)	<ul style="list-style-type: none"> (16 bits × 2 channels) × 2 units Select from among four clock signals (PCLK/8, PCLK/32, PCLK/128, PCLK/512)
	Independent watchdog timer (IWDTa)	<ul style="list-style-type: none"> 14 bits × 1 channel Count clock: Dedicated low-speed on-chip oscillator for the IWDT Frequency divided by 1, 16, 32, 64, 128, or 256
	Realtime clock (RTCA)	<ul style="list-style-type: none"> Clock source: Sub-clock Calendar count mode or binary count mode selectable Interrupts: Alarm interrupt, periodic interrupt, and carry interrupt
	Low power timer (LPT)	<ul style="list-style-type: none"> 16 bits × 1 channel Clock source: Sub-clock, Dedicated low-speed on-chip oscillator for the IWDT Frequency divided by 2, 4, 8, 16, or 32
	8-bit timer (TMR)	<ul style="list-style-type: none"> (8 bits × 2 channels) × 2 units Seven internal clocks (PCLK/1, PCLK/2, PCLK/8, PCLK/32, PCLK/64, PCLK/1024, and PCLK/8192) and an external clock can be selected Pulse output and PWM output with any duty cycle are available Two channels can be cascaded and used as a 16-bit timer
Communication functions	Serial communications interfaces (SCiE, SCiF)	<ul style="list-style-type: none"> 8 channels (channel 0, 1, 2, 5, 6, 8, and 9: SCiE, channel 12: SCiF) Serial communications modes: Asynchronous, clock synchronous, and smart card interface On-chip baud rate generator allows selection of the desired bit rate Choice of LSB-first or MSB-first transfer Average transfer rate clock can be input from MTU2 timers Simple I²C Simple SPI Master/slave mode supported (SCiF only) Start frame and information frame are included (SCiF only) Start-bit detection in asynchronous mode: Low level or falling edge is selectable
	IrDA interface (IRDA)	<ul style="list-style-type: none"> 1 channel (SCi5 used) Supports encoding/decoding of waveforms conforming to IrDA standard 1.0
	I ² C bus interface (RIIC)	<ul style="list-style-type: none"> 1 channel Communications formats: <ul style="list-style-type: none"> I²C bus format/SMBus format Master mode or slave mode selectable Supports fast mode

Table 1.1 Outline of Specifications (3/3)

Classification	Module/Function	Description
Communication functions	Serial peripheral interface (RSPI)	<ul style="list-style-type: none"> • 1 channel • Transfer facility Using the MOSI (master out, slave in), MISO (master in, slave out), SSL (slave select), and RSPI clock (RSPCK) signals enables serial transfer through SPI operation (four lines) or clock-synchronous operation (three lines) • Capable of handling serial transfer as a master or slave • Data formats • Choice of LSB-first or MSB-first transfer The number of bits in each transfer can be changed to 8, 9, 10, 11, 12, 13, 14, 15, 16, 20, 24, or 32 bits. 128-bit buffers for transmission and reception Up to four frames can be transmitted or received in a single transfer operation (with each frame having up to 32 bits) • Double buffers for both transmission and reception
	USB 2.0 host/function module (USBc)	<ul style="list-style-type: none"> • USB Device Controller (UDC) and transceiver for USB 2.0 are incorporated. • Host/function module: 1 port • Compliant with USB version 2.0 • Transfer speed: Full-speed (12 Mbps), low-speed (1.5 Mbps) • OTG (ON-The-Go) is supported. • Isochronous transfer is supported. • BC (Battery Charger) is supported.
	Serial Sound Interface (SSI)	<ul style="list-style-type: none"> • 1 channel • Capable of duplex communications • Various serial audio formats supported • Master/slave function supported • Programmable word clock or bit clock generation function • 8/16/18/20/22/24/32-bit data formats supported • On-chip 8-stage FIFO for transmission/reception • Supports WS continue mode in which the SSIWS signal is not stopped.
LCD controller/driver (LCDC)		<ul style="list-style-type: none"> • Internal voltage boosting method, capacitor split method, and external resistance division method are switchable. • Segment signal output × common signal output: 40 × 4, 36 × 8
12-bit A/D converter (S12ADb)		<ul style="list-style-type: none"> • 1 unit (1 unit × 17 channels) • 12-bit resolution • Minimum conversion time: 1.0 μs per channel when the ADCLK is operating at 32 MHz • Operating modes Scan mode (single scan mode, continuous scan mode, and group scan mode) • Double trigger mode (duplication of A/D conversion data) • A/D conversion start conditions A software trigger, a trigger from a timer (MTU), an external trigger signal, or ELC
Temperature sensor (TEMPSA)		<ul style="list-style-type: none"> • 1 channel • The voltage of the temperature is converted into a digital value by the 12-bit A/D converter.
12-bit D/A converter (R12DAA)		<ul style="list-style-type: none"> • 2 channels • 12-bit resolution • Output voltage: 0.35 to AVCC – 0.47 V
CRC calculator (CRC)		<ul style="list-style-type: none"> • CRC code generation for arbitrary amounts of data in 8-bit units • Select any of three generating polynomials: $X^8 + X^2 + X + 1$, $X^{16} + X^{15} + X^2 + 1$, or $X^{16} + X^{12} + X^5 + 1$ • Generation of CRC codes for use with LSB-first or MSB-first communications is selectable.
Comparator B (CMPBa)		<ul style="list-style-type: none"> • 2 channels • Function to compare the reference voltage and the analog input voltage • Window comparator operation or standard comparator operation is selectable
Capacitive touch sensing unit (CTSU)		Detection pin: 12 channels (for 100 pins only)
Data operation circuit (DOC)		Comparison, addition, and subtraction of 16-bit data
Unique ID		32-byte ID code for the MCU
Power supply voltages/Operating frequencies		VCC = 1.8 to 2.4 V: 8 MHz, VCC = 2.4 to 2.7 V: 16 MHz, VCC = 2.7 to 3.6 V: 32 MHz
Supply current		3.6 mA at 32 MHz (typ.)
Operating temperature range		D version: –40 to +85°C, G version: –40 to +105°C
Packages		100-pin LQFP (PLQP0100KB-A) 14 × 14 mm, 0.50 mm pitch 100-pin TFLGA (PTLG0100JA-A) 7 × 7 mm, 0.65 mm pitch 64-pin LQFP (PLQP0064KB-A) 10 × 10 mm, 0.50 mm pitch
On-chip debugging system		E1 emulator (FINE interface)

Table 1.2 Comparison of Functions for Different Packages

Module/Functions		RX113 Group	
		100 Pins	64 Pins
Interrupts	External interrupts	NMI, IRQ0 to IRQ7	
DMA	Data transfer controller	Supported	
Timers	Multi-function timer pulse unit 2	6 channels (MTU0 to MTU5)	
	Port output enable 2	Supported	
	Compare match timer	2 channels × 2 units	
	Realtime clock	Supported	
	Low power timer	1 channel	
	8-bit timer	2 channels × 2 units	
	Independent watchdog timer	Supported	
Communication functions	Serial communications interfaces (SCIE) [simple I ² C, simple SPI]	7 channels (SCI0, 1, 2, 5, 6, 8, 9)	5 channels (SCI1, 5, 6, 8, 9)
	IrDA interface	1 channel (SCI5)	
	Serial communications interface (SCIf) [simple I ² C, simple SPI]	1 channel (SCI12)	
	I ² C bus interface	1 channel	
	Serial peripheral interface	1 channel	
	USB 2.0 host/function module (USBc)	1 channel	
	Serial sound interface	1 channel	
12-bit A/D converter (including high-precision channels)	17 channels (9 channels)	11 channels (3 channels)	
Temperature sensor	Supported		
Comparator B	2 channels		
12-bit D/A converter	2 channels		
CRC calculator	Supported		
Event link controller	Supported		
Capacitive touch sensing unit	12 channels	Not supported	
LCD	40 SEG × 4 COM 36 SEG × 8 COM	20 SEG × 4 COM 16 SEG × 8 COM	
Packages	100-pin LQFP 100-pin TFLGA	64-pin LQFP	

1.2 List of Products

Table 1.3 is a list of products, and Figure 1.1 shows how to read the product part no., memory capacity, and package type.

Table 1.3 List of Products

Group	Part No.	Orderable Part No.	Package	ROM Capacity	RAM Capacity	E2 DataFlash	Maximum Operating Frequency	Operating Temperature
RX113	R5F51138ADFP	R5F51138ADFP#3A	PLQP0100KB-A	512 Kbytes	64 Kbytes	8 Kbytes	32 MHz	-40 to +85°C
	R5F51138ADFM	R5F51138ADFM#3A	PLQP0064KB-A					
	R5F51138ADLJ	R5F51138ADLJ#2A	PTLG0100JA-A					
	R5F51137ADFP	R5F51137ADFP#3A	PLQP0100KB-A	384 Kbytes				
	R5F51137ADFM	R5F51137ADFM#3A	PLQP0064KB-A					
	R5F51137ADLJ	R5F51137ADLJ#2A	PTLG0100JA-A					
	R5F51136ADFP	R5F51136ADFP#3A	PLQP0100KB-A	256 Kbytes	32 Kbytes			
	R5F51136ADFM	R5F51136ADFM#3A	PLQP0064KB-A					
	R5F51136ADLJ	R5F51136ADLJ#2A	PTLG0100JA-A					
	R5F51135ADFP	R5F51135ADFP#3A	PLQP0100KB-A	128 Kbytes				
	R5F51135ADFM	R5F51135ADFM#3A	PLQP0064KB-A					
	R5F51135ADLJ	R5F51135ADLJ#2A	PTLG0100JA-A					
	R5F51138AGFP	R5F51138AGFP#3A	PLQP0100KB-A	512 Kbytes	64 Kbytes			-40 to +105°C
	R5F51138AGFM	R5F51138AGFM#3A	PLQP0064KB-A					
	R5F51137AGFP	R5F51137AGFP#3A	PLQP0100KB-A					
	R5F51137AGFM	R5F51137AGFM#3A	PLQP0064KB-A					
	R5F51136AGFP	R5F51136AGFP#3A	PLQP0100KB-A	256 Kbytes	32 Kbytes			
	R5F51136AGFM	R5F51136AGFM#3A	PLQP0064KB-A					
	R5F51135AGFP	R5F51135AGFP#3A	PLQP0100KB-A	128 Kbytes				
	R5F51135AGFM	R5F51135AGFM#3A	PLQP0064KB-A					

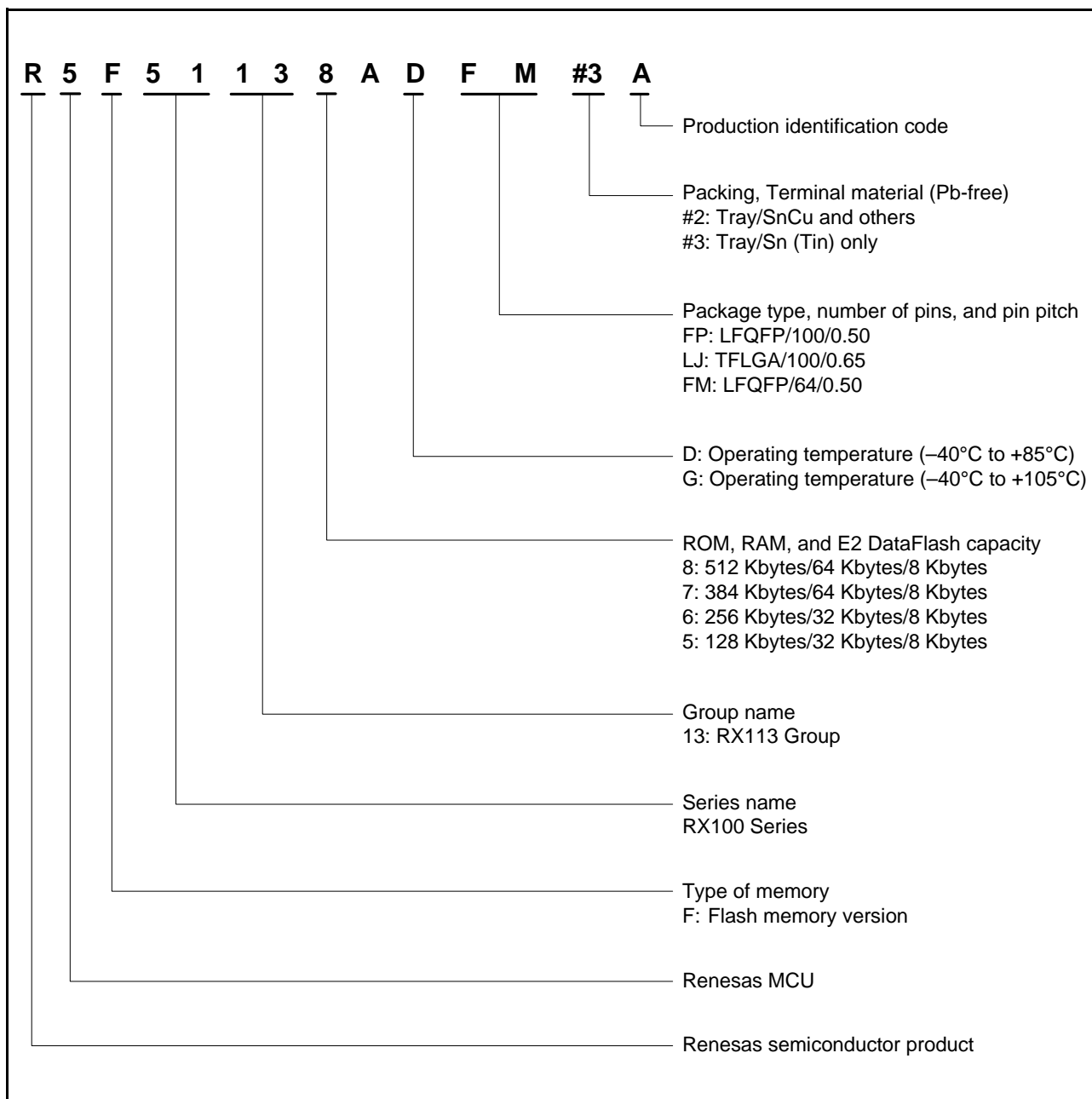


Figure 1.1 How to Read the Product Part No., Memory Capacity, and Package Type

1.3 Block Diagram

Figure 1.2 shows a block diagram.

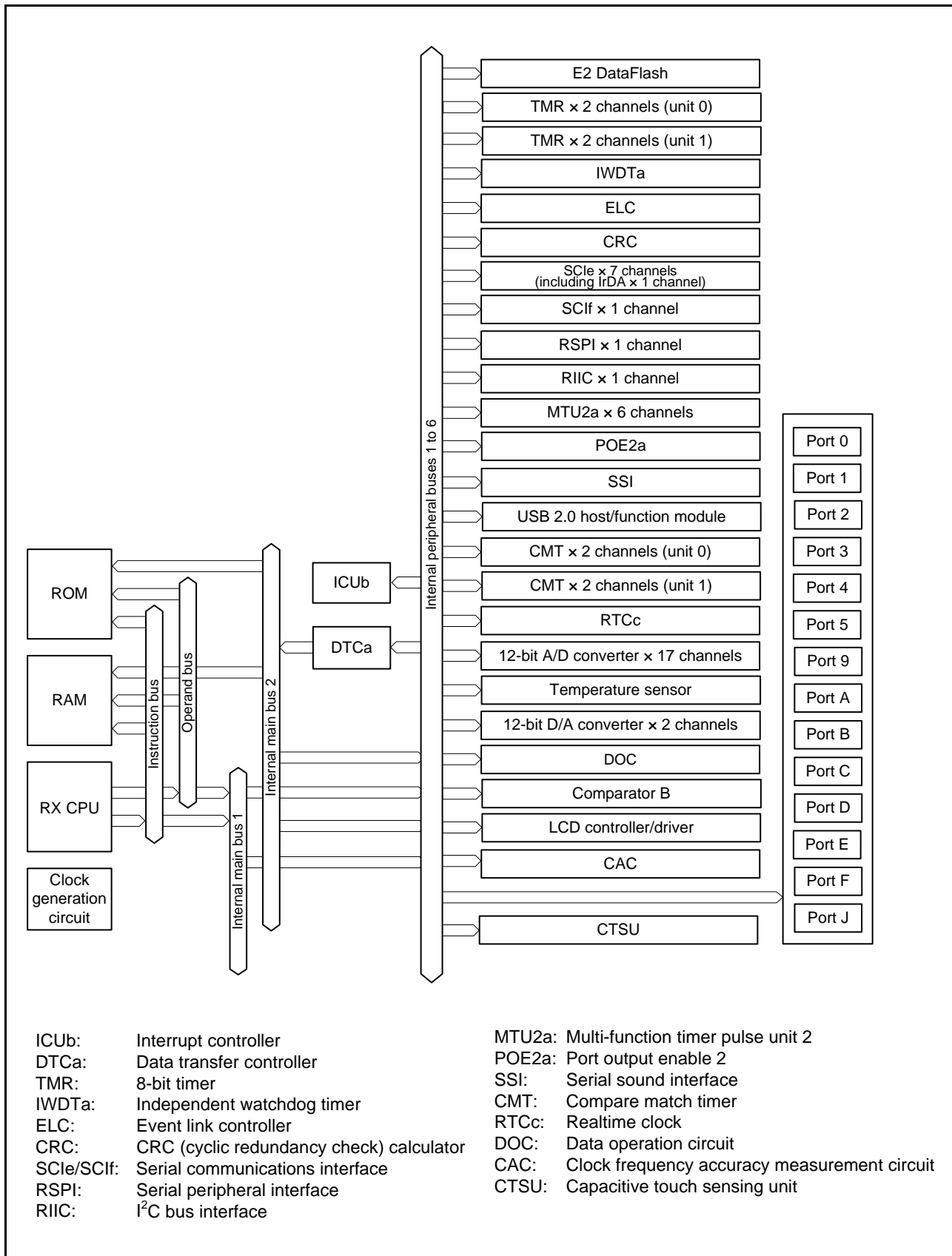


Figure 1.2 Block Diagram

1.4 Pin Functions

Table 1.4 lists the pin functions.

Table 1.4 Pin Functions (1/4)

Classifications	Pin Name	I/O	Description
Power supply	VCC	Input	Power supply pin. Connect it to the system power supply.
	VCL	—	Connect this pin to the VSS pin via the 4.7 μ F smoothing capacitor used to stabilize the internal power supply. Place the capacitor close to the pin.
	VSS	Input	Ground pin. Connect it to the system power supply (0 V).
	VCC_USB	Input	Power supply pin for USB. Connect this pin to VCC.
	VSS_USB	Input	Ground pin for USB. Connect this pin to VSS.
Analog power supply	AVCC0	Input	Analog voltage supply pin for the 12-bit A/D converter and D/A converter. Connect this pin to VCC when not using the 12-bit A/D converter and D/A converter.
	AVSS0	Input	Analog ground pin for the 12-bit A/D converter and D/A converter. Connect this pin to VSS when not using the 12-bit A/D converter and D/A converter.
	VREFH0	Input	Analog reference voltage supply pin for the 12-bit A/D converter.
	VREFL0	Input	Analog reference ground pin for the 12-bit A/D converter.
	VREFH	Input	Analog reference voltage supply pin for the 12-bit D/A converter.
	VREFL	Input	Analog reference ground pin for the 12-bit D/A converter.
Clock	XTAL	Output/ Input*1	Pins for connecting a crystal. An external clock can be input through the XTAL pin.
	EXTAL	Input	
	XCIN	Input	Input/output pins for the sub-clock oscillator. Connect a crystal between XCIN and XCOUT.
	XCOUT	Output	
	CLKOUT	Output	Clock output pin.
Operating mode control	MD	Input	Pin for setting the operating mode. The signal levels on this pin must not be changed during operation.
	UB#	Input	Pin used for boot mode (USB interface).
	UPSEL	Input	Pin used for boot mode (USB interface).
System control	RES#	Input	Reset pin. This MCU enters the reset state when this signal goes low.
CAC	CACREF	Input	Input pin for the clock frequency accuracy measurement circuit.
On-chip emulator	FINED	I/O	FINE interface pin.
LVD	CMPA2	Input	Detection target voltage pin for voltage detection 2.
Interrupts	NMI	Input	Non-maskable interrupt request pin.
	IRQ0 to IRQ7	Input	Interrupt request pins.
Multi-function timer pulse unit 2	MTIOC0A, MTIOC0B, MTIOC0C, MTIOC0D	I/O	The TGRA0 to TGRD0 input capture input/output compare output/PWM output pins.
	MTIOC1A, MTIOC1B	I/O	The TGRA1 and TGRB1 input capture input/output compare output/PWM output pins.
	MTIOC2A, MTIOC2B	I/O	The TGRA2 and TGRB2 input capture input/output compare output/PWM output pins.
	MTIOC3A, MTIOC3B, MTIOC3C, MTIOC3D	I/O	The TGRA3 to TGRD3 input capture input/output compare output/PWM output pins.
	MTIOC4A, MTIOC4B, MTIOC4C, MTIOC4D	I/O	The TGRA4 to TGRD4 input capture input/output compare output/PWM output pins.
	MTIC5U, MTIC5V, MTIC5W	Input	The TGRU5, TGRV5, and TGRW5 input capture input/external pulse input pins.
	MTCLKA, MTCLKB, MTCLKC, MTCLKD	Input	Input pins for the external clock.

Table 1.4 Pin Functions (2/4)

Classifications	Pin Name	I/O	Description
Port output enable 2	POE0# to POE3#, POE8#	Input	Input pins for request signals to place the MTU pins in the high impedance state.
Realtime clock	RTCOUT	Output	Output pin for the 1-Hz/64-Hz clock.
8-bit timer	TMO0 to TMO3	Output	Compare match output pins.
	TMCIO to TMCI3	Input	Input pins for the external clock to be input to the counter.
	TMRI0 to TMRI3	Input	Counter reset input pins.
Serial communications interface (SCIE)	• Asynchronous mode/clock synchronous mode		
	SCK0, SCK1, SCK2, SCK5, SCK6, SCK8, SCK9	I/O	Input/output pins for the clock.
	RXD0, RXD1, RXD2, RXD5, RXD6, RXD8, RXD9	Input	Input pins for received data.
	TXD0, TXD1, TXD2, TXD5, TXD6, TXD8, TXD9	Output	Output pins for transmitted data.
	CTS0#, CTS1#, CTS2#, CTS5#, CTS6#, CTS8#, CTS9#	Input	Input pins for controlling the start of transmission and reception.
	RTS0#, RTS1#, RTS2#, RTS5#, RTS6#, RTS8#, RTS9#	Output	Output pins for controlling the start of transmission and reception.
	• Simple I ² C mode		
	SSCL0, SSCL1, SSCL2, SSCL5, SSCL6, SSCL8, SSCL9	I/O	Input/output pins for the I ² C clock.
	SSDA0, SSDA1, SSDA2, SSDA5, SSDA6, SSDA8, SSDA9	I/O	Input/output pins for the I ² C data.
	• Simple SPI mode		
	SCK0, SCK1, SCK2, SCK5, SCK6, SCK8, SCK9	I/O	Input/output pins for the clock.
	SMISO0, SMISO1, SMISO2, SMISO5, SMISO6, SMISO8, SMISO9	I/O	Input/output pins for slave transmit data.
	SMOSI0, SMOSI1, SMOSI2, SMOSI5, SMOSI6, SMOSI8, SMOSI9	I/O	Input/output pins for master transmit data.
	SS0#, SS1#, SS2#, SS5#, SS6#, SS8#, SS9#	Input	Chip-select input pins.
IrDA interface	IRTXD5	Output	Data output pin in the IrDA format.
	IRRXD5	Input	Data input pin in the IrDA format.

Table 1.4 Pin Functions (3/4)

Classifications	Pin Name	I/O	Description
Serial communications interface (SCIf)	• Asynchronous mode/clock synchronous mode		
	SCK12	I/O	Input/output pin for the clock.
	RXD12	Input	Input pin for receiving data.
	TXD12	Output	Output pin for transmitting data.
	CTS12#	Input	Input pin for controlling the start of transmission and reception.
	RTS12#	Output	Output pin for controlling the start of transmission and reception.
	• Simple I ² C mode		
	SSCL12	I/O	Input/output pin for the I ² C clock.
	SSDA12	I/O	Input/output pin for the I ² C data.
	• Simple SPI mode		
	SCK12	I/O	Input/output pin for the clock.
	SMISO12	I/O	Input/output pin for slave transmit data.
	SMOSI12	I/O	Input/output pin for master transmit data.
	SS12#	Input	Chip-select input pin.
	• Extended serial mode		
	RXDX12	Input	Input pin for data reception by SCIf.
	TXDX12	Output	Output pin for data transmission by SCIf.
	SIOX12	I/O	Input/output pin for data reception or transmission by SCIf.
	I ² C bus interface	SCL0	I/O
SDA0		I/O	Input/output pin for I ² C bus interface data. Bus can be directly driven by the N-channel open drain output.
Serial peripheral interface	RSPCKA	I/O	Input/output pin for the RSPI clock.
	MOSIA	I/O	Input/output pin for transmitting data from the RSPI master.
	MISOA	I/O	Input/output pin for transmitting data from the RSPI slave.
	SSLA0	I/O	Input/output pin to select the slave for the RSPI.
	SSLA1 to SSLA3	Output	Output pins to select the slave for the RSPI.
Serial sound interface	SSISCK0	I/O	SSI serial bit clock pin.
	SSIWS	I/O	Word selection pin.
	SSITXD0	Output	Serial data output pin.
	SSIRXD0	Input	Serial data input pin.
	AUDIO_MCLK	Input	Master clock pin for audio.
USB 2.0 host/function module	USB0_DP	I/O	D+ I/O pin of the USB on-chip transceiver.
	USB0_DM	I/O	D- I/O pin of the USB on-chip transceiver.
	USB0_VBUS	Input	USB cable connection monitor pin.
	USB0_EXICEN	Output	Low-power control signal for the OTG chip.
	USB0_VBUSEN	Output	VBUS (5 V) supply enable signal for the OTG chip.
	USB0_OVRCURA, USB0_OVRCURB	Input	External overcurrent detection pins.
	USB0_ID	Input	Mini-AB connector ID input pin during operation in OTG mode.
12-bit A/D converter	AN000 to AN015, AN021	Input	Input pins for the analog signals to be processed by the A/D converter.
	ADTRG0#	Input	Input pin for the external trigger signals that start the A/D conversion.
12-bit D/A converter	DA0, DA1	Output	Output pins for the analog signals to be processed by the D/A converter.

Table 1.4 Pin Functions (4/4)

Classifications	Pin Name	I/O	Description
Comparator B	CMPB0	Input	Input pin for the analog signal to be processed by comparator B0.
	CVREFB0	Input	Analog reference voltage supply pin for comparator B0.
	CMPB1	Input	Input pin for the analog signal to be processed by comparator B1.
	CVREFB1	Input	Analog reference voltage supply pin for comparator B1.
	CMPOB0	Output	Output pin for comparator B0.
	CMPOB1	Output	Output pin for comparator B1.
LCD	VL1, VL2, VL3, VL4	I/O	Voltage pin for driving the LCD.
	CAPH, CAPL	I/O	Capacitor connection pin for the LCD controller/driver.
	COM0 to COM7	Output	Common signal output pins for the LCD controller/driver.
	SEG00 to SEG39	Output	Segment signal output pins for the LCD controller/driver.
CTSU	TS0 to TS11	Input	Capacitive touch detection pins (touch pins).
	TSCAP	I/O	Secondary power supply pin for the touch driver.
I/O ports	P02, P04, P07	I/O	3-bit input/output pins.
	P10 to P17	I/O	8-bit input/output pins.
	P20 to P27	I/O	8-bit input/output pins.
	P30 to P32, P35	I/O	4-bit input/output pins (P35 input pin).
	P40 to P44, P46	I/O	6-bit input/output pins.
	P50 to P56	I/O	7-bit input/output pins.
	P90 to P92	I/O	3-bit input/output pins.
	PA0 to PA7	I/O	8-bit input/output pins.
	PB0 to PB7	I/O	8-bit input/output pins.
	PC0 to PC7	I/O	8-bit input/output pins.
	PD0 to PD4	I/O	5-bit input/output pins.
	PE0 to PE7	I/O	8-bit input/output pins.
	PF6, PF7	I/O	2-bit input/output pins.
	PJ0, PJ2, PJ3, PJ6, PJ7	I/O	5-bit input/output pins.

Note 1. For external clock input.

1.5 Pin Assignments

Figure 1.3 to Figure 1.5 show the pin assignments. Table 1.5 to Table 1.7 show the lists of pins and pin functions.

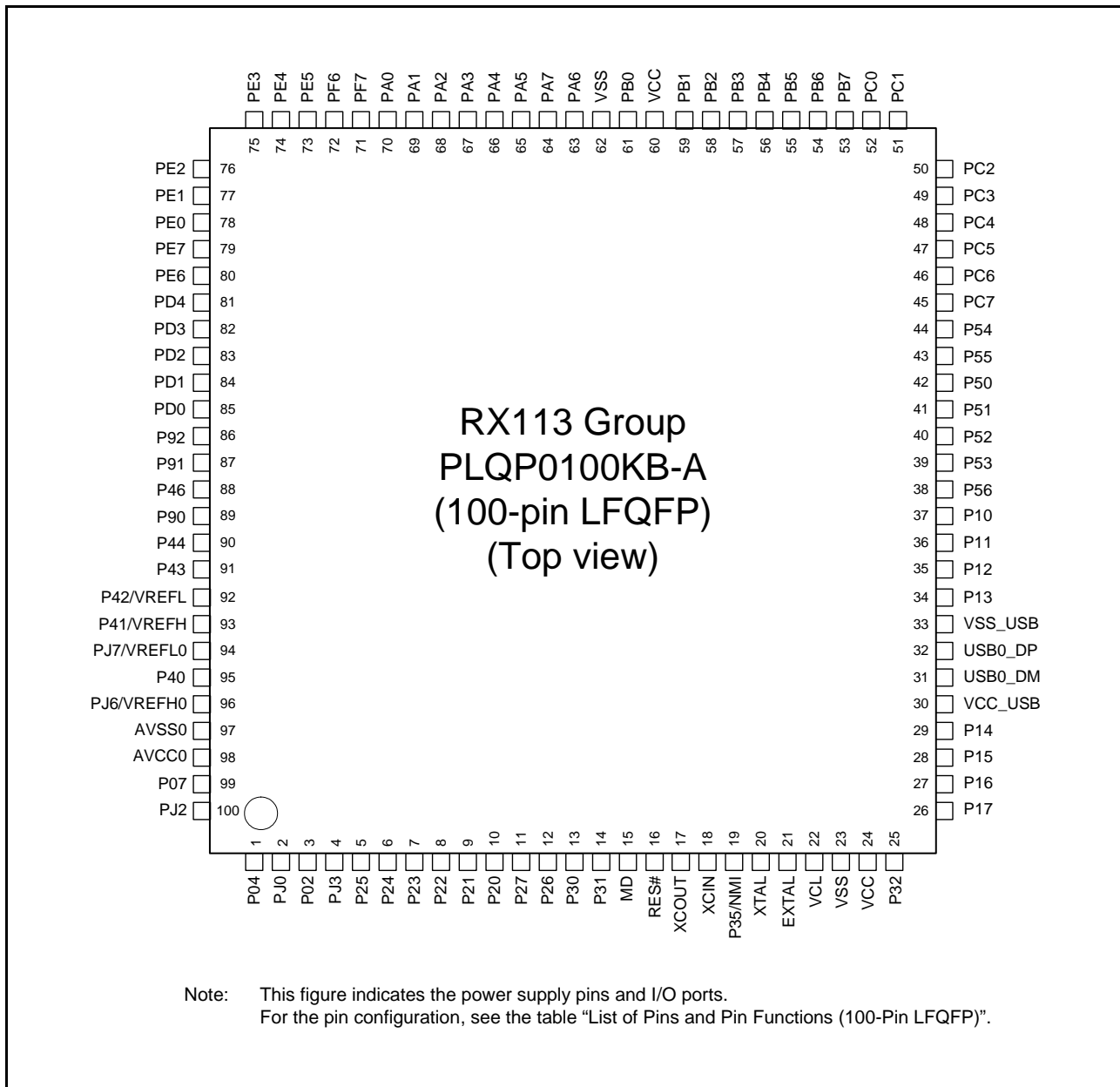


Figure 1.3 Pin Assignments of the 100-Pin LQFP

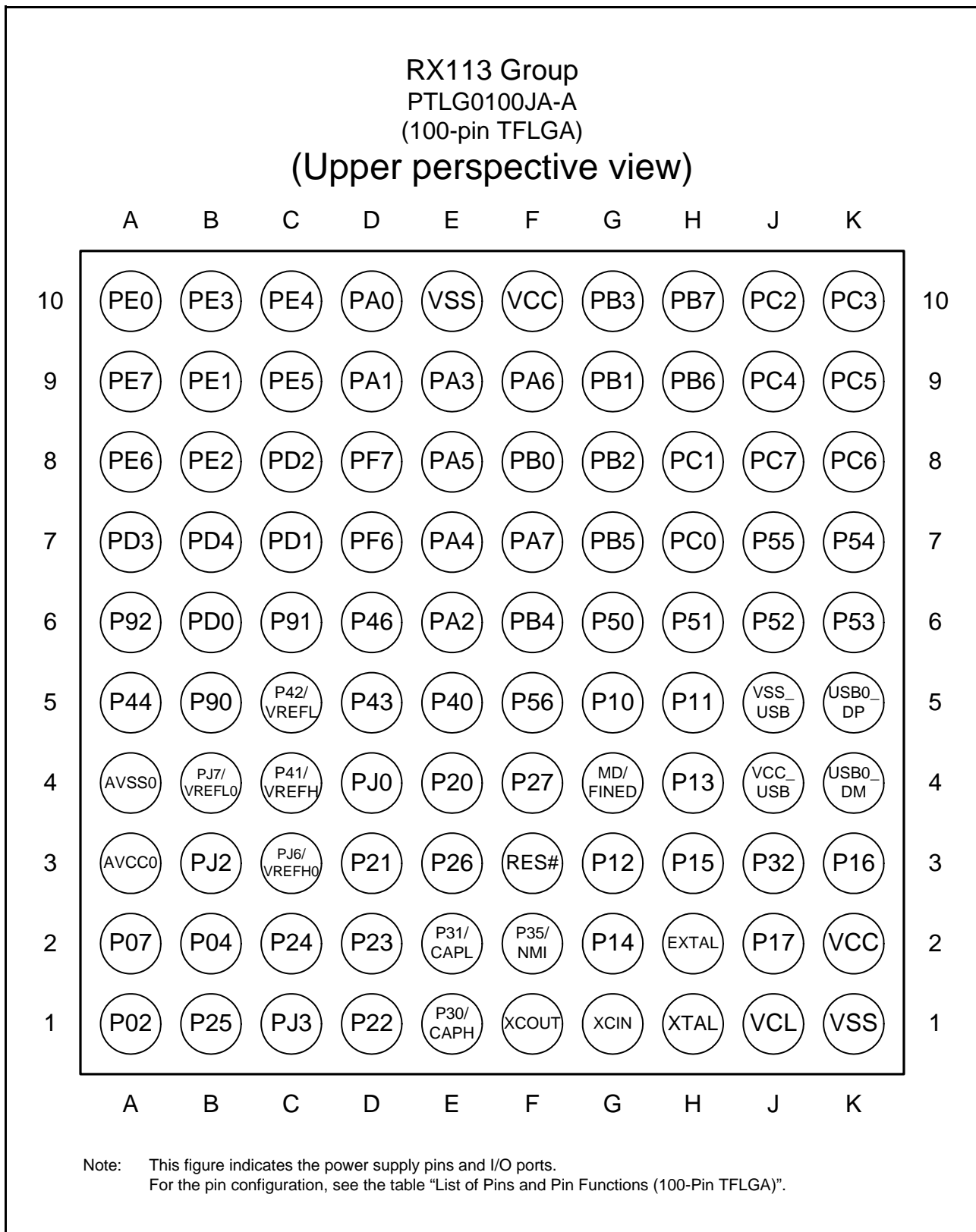


Figure 1.4 Pin Assignments of the 100-Pin TFLGA

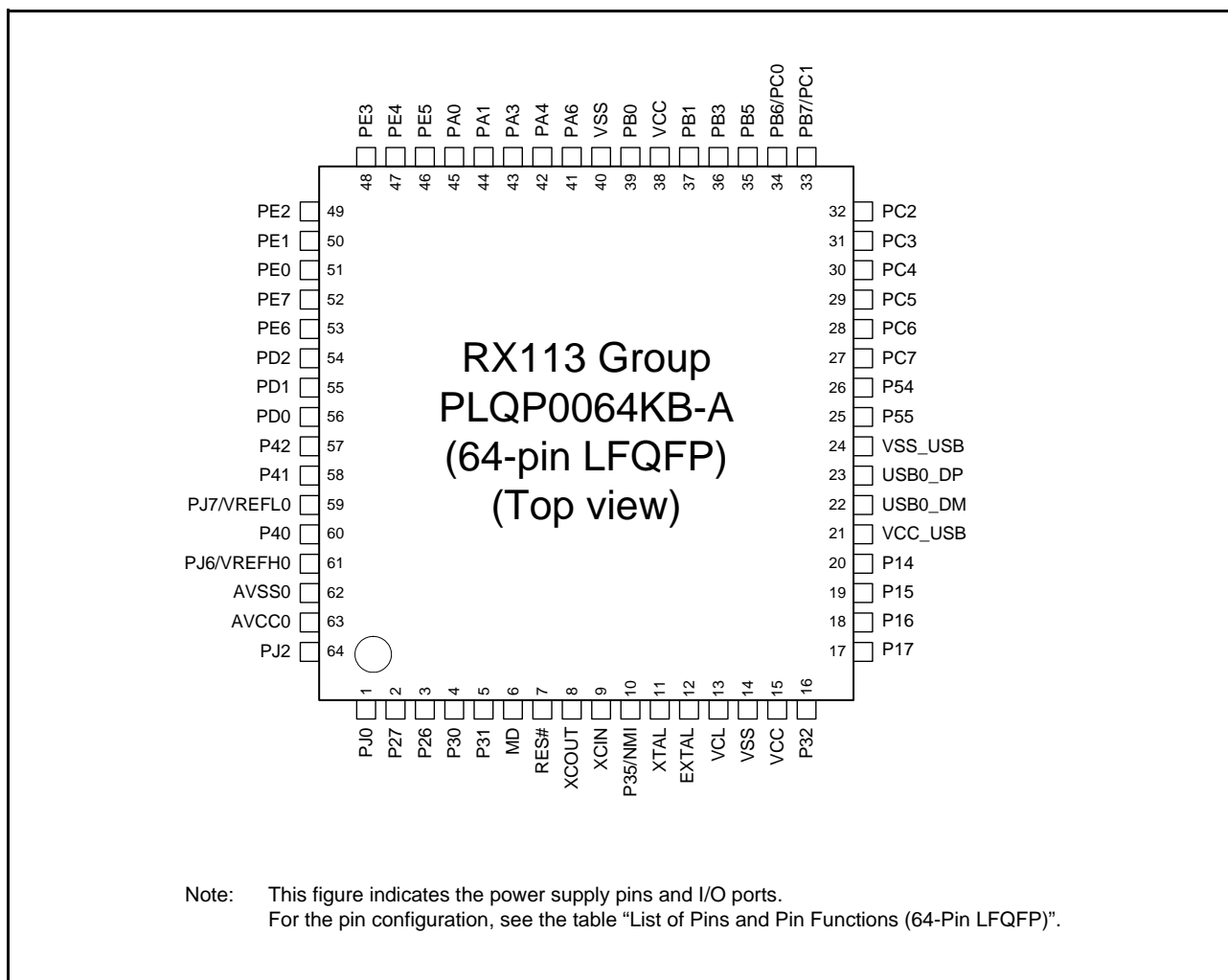


Figure 1.5 Pin Assignments of the 64-Pin LQFP

Table 1.5 List of Pins and Pin Functions (100-Pin LQFP) (1/3)

Pin No.	Power Supply, Clock, System Control	I/O Port	Timers (MTU, POE, RTC, TMR)	Communication (SCIE, SCIF, RSPI, RIIC, USB, SSI)	LCD, Touch	Others
1		P04	MTIOC0A/POE2#/TMC13	SCK6	TS1	
2		PJ0				DA0
3		P02	MTIOC0D/POE3#/TMR13	RXD6/SMISO6/SSCL6	TS2	
4		PJ3	MTIOC3C	CTS6#/RTS6#/SS6#	TS3	
5		P25	MTIOC4C/MTCLKB		TS4	ADTRG0#
6		P24	MTIOC4A/MTCLKA/TMR11		TS5	
7		P23	MTIOC3D/MTCLKD	CTS0#/RTS0#/SS0#	TS6	
8		P22	MTIOC3B/MTCLKC/TMO0	SCK0	TS7	
9		P21	MTIOC1B/TMC10	RXD0/SMISO0/SSCL0	TS8	
10		P20	MTIOC1A/TMR10	TXD0/SMOSI0/SSDA0	TS9	
11		P27	MTIOC2B/TMC13	SCK12/SCK1/RXD6/SMISO6/SSCL6	TS10	IRQ3/ADTRG0#/CACREF/CMPA2
12		P26	MTIOC2A/TMO1	TXD1/SMOSI1/SSDA1/USB0_VBUSEN/TXD6/SMOSI6/SSDA6	TSCAP	
13		P30	MTIOC4B/POE8#/TMR13	RXD1/SMISO1/SSCL1	CAPH	IRQ0
14		P31	MTIOC4D/TMC12	CTS1#/RTS1#/SS1#	CAPL	IRQ1
15	MD					FINED
16	RES#					
17	XCOU					
18	XCIN					
19	UPSEL	P35				NMI
20	XTAL					
21	EXTAL					
22	VCL					
23	VSS					
24	VCC					
25		P32	MTIOC0C/RTCOU/TMO3	TXD6/SMOSI6/SSDA6/CTS6#/RTS6#/SS6#	TS11	IRQ2
26		P17	MTIOC0C/MTIOC3A/MTIOC3B/POE8#/TMO1	SCK1/MISOA/SDA0/RXD12/RXD12/SMISO12/SSCL12		IRQ7
27		P16	MTIOC3C/MTIOC3D/RTCOU/TMO2	TXD1/SMOSI1/SSDA1/MOSIA/SCL0/USB0_VBUS/USB0_VBUSEN/USB0_OVRCURB		IRQ6/ADTRG0#
28		P15	MTIOC0B/MTCLKB/TMC12	RXD1/SMISO1/SSCL1/RSPCKA		IRQ5/CLKOUT/CACREF
29	UB#	P14	MTIOC0A/MTIOC3A/MTCLKA/TMR12	CTS1#/RTS1#/SS1#/SSLA0/TXD12/TXD12/SIOX12/SMOSI12/SSDA12/USB0_OVRCURA		IRQ4
30	VCC_USB					
31				USB0_DM		
32				USB0_DP		
33	VSS_USB					
34		P13	MTIOC0B/TMO3	CTS12#/RTS12#/SS12#/CTS0#/RTS0#/SS0#	SEG00	IRQ3
35		P12	TMC11	SCK12/SCK0	SEG01	IRQ2

Table 1.5 List of Pins and Pin Functions (100-Pin LQFP) (2/3)

Pin No.	Power Supply, Clock, System Control	I/O Port	Timers (MTU, POE, RTC, TMR)	Communication (SCIE, SCIF, RSPI, RIIC, USB, SSI)	LCD, Touch	Others
36		P11	MTIC5U/POE0#	RXD12/RXD12/SMISO12/SSCL12/RXD0/SMISO0/SSCL0	SEG02	IRQ7
37		P10	MTIC5V/POE1#	TXD12/TXD12/SIOX12/SMOSI12/SSDA12/TXD0/SMOSI0/SSDA0	SEG03	IRQ6
38		P56	MTIOC1A/MTIC5W/POE2#	TXD1/SMOSI1/SSDA1	SEG04	IRQ5
39		P53	MTIOC2B	SSLA0/CTS2#/RTS2#/SS2#	SEG05	
40		P52		MISOA/RXD2/SMISO2/SSCL2	SEG06	
41		P51	MTIOC4C	RSPCKA/SCK2	SEG07	
42		P50	MTIOC2A	MOSIA/TXD2/SMOSI2/SSDA2	SEG08	
43		P55	MTIOC4D/TMO3		VL1	
44		P54	MTIOC4B/TMCI1		VL2	
45		PC7	MTIOC3A/MTCLKB/TMO2	TXD1/SMOSI1/SSDA1/MISOA/TXD8/SMOSI8/SSDA8/USB0_OVRCURB	VL3	CACREF
46		PC6	MTIOC3C/MTCLKA/TMCI2	RXD1/SMISO1/SSCL1/MOSIA/RXD8/SMISO8/SSCL8/USB0_EXICEN	VL4	
47		PC5	MTIOC3B/MTCLKD/TMRI2	SCK1/RSPCKA/SCK8/USB0_ID	COM0	
48		PC4	MTIOC3D/MTCLKC/POE0#/TMCI1	SSLA0/CTS8#/RTS8#/SS8#/SCK5/USB0_VBUSEN/USB0_VBUS*1	COM1	IRQ2/CLKOUT
49		PC3	MTIOC4D	TXD5/SMOSI5/SSDA5/IRTXD5	COM2	
50		PC2	MTIOC4B	RXD5/SMISO5/SSCL5/IRRXD5/SSLA3	COM3	
51		PC1	MTIOC3A	SCK5/SSLA2	SEG09	
52		PC0	MTIOC3C	CTS5#/RTS5#/SS5#/SSLA1	SEG10	
53		PB7	MTIOC3B	TXD9/SMOSI9/SSDA9/SSITXD0	SEG11/COM4	
54		PB6	MTIOC3D	RXD9/SMISO9/SSCL9/SSIRXD0	SEG12/COM5	
55		PB5	MTIOC1B/MTIOC2A/POE1#/TMRI1	SCK9/SSISCK0	SEG13/COM6	
56		PB4		CTS9#/RTS9#/SS9#	SEG14	
57		PB3	MTIOC0A/MTIOC3B/MTIOC4A/POE3#/TMO0	SCK6/AUDIO_MCLK/USB0_OVRCURA	SEG15/COM7	
58		PB2		CTS6#/RTS6#/SS6#	SEG16	
59		PB1	MTIOC0C/MTIOC4C/TMCI0	TXD6/SMOSI6/SSDA6/SSIWS0	SEG17	IRQ4
60	VCC					
61		PB0	MTIOC0C/MTIC5W/RTCOUT	SCL0/RSPCKA/RXD6/SMISO6/SSCL6		IRQ2/ADTRG0#
62	VSS					
63		PA6	MTIC5V/MTCLKB/MTIOC2A/POE2#/TMCI3	CTS5#/RTS5#/SS5#/SDA0/MOSIA/RXD8/SMISO8/SSCL8		IRQ3
64		PA7		TXD8/SMOSI8/SSDA8	SEG18	
65		PA5		SCK8	SEG19	
66		PA4	MTIOC2B/MTIC5U/MTCLKA/TMRI0	TXD5/SMOSI5/SSDA5/IRTXD5/SSLA0/CTS8#/RTS8#/SS8#	SEG20	IRQ5/CVREFB1
67		PA3	MTIOC0D/MTIOC1B/MTCLKD/POE0#	RXD5/SMISO5/SSCL5/IRRXD5/MISOA	SEG21	IRQ6/CMPB1

Table 1.5 List of Pins and Pin Functions (100-Pin LFQFP) (3/3)

Pin No.	Power Supply, Clock, System Control	I/O Port	Timers (MTU, POE, RTC, TMR)	Communication (SCIE, SCIF, RSPI, RIIC, USB, SSI)	LCD, Touch	Others
68		PA2		RXD5/SMISO5/SSCL5/IRRXD5/SSLA3	SEG22	
69		PA1	MTIOC0B/MTCLKC/RTCOUT	SCK5/SSLA2	SEG23	
70		PA0	MTIOC4A	SSLA1	SEG24	CACREF
71		PF7	MTIOC3A		SEG25	
72		PF6	MTIOC3C		SEG26	
73		PE5	MTIOC2B/MTIOC4C	MISOA/TXD9/SMOSI9/SSDA9	SEG27	IRQ5/AN013/ CMPOB1
74		PE4	MTIOC1A/MTIOC3A/MTIOC4D	MOSIA/RXD9/SMISO9/SSCL9/SSIWS0	SEG28	IRQ4/AN012
75		PE3	MTIOC0A/MTIOC1B/MTIOC4B/POE8#	CTS12#/RTS12#/SS12#/RSPCKA/SCK9/AUDIO_MCLK	SEG29	IRQ3/AN011
76		PE2	MTIOC4A	RXD12/RDX12/SMISO12/SSCL12/SSIRXD0	SEG30	IRQ7/AN010/ CVREFB0
77		PE1	MTIOC4C	TXD12/TDX12/SIOX12/SMOSI12/SSDA12/SSITXD0	SEG31	IRQ1/AN009/ CMPB0
78		PE0	MTIOC2A/POE3#	SCK12/CTS9#/RTS9#/SS9#/SSISCK0	SEG32	IRQ0/AN008
79		PE7			SEG33	IRQ7/AN015/ CMPOB0
80		PE6			SEG34	IRQ6/AN014
81		PD4	POE3#		SEG35	IRQ4
82		PD3	POE8#		SEG36	IRQ3
83		PD2	MTIOC4D		SEG37	IRQ2
84		PD1	MTIOC4B		SEG38	IRQ1
85		PD0			SEG39	IRQ0
86		P92*2				AN021
87		P91*2				AN007
88		P46*2				AN006
89		P90*2				AN005
90		P44*2				AN004
91		P43*2				AN003
92	VREFL	P42*2				AN002
93	VREFH	P41*2				AN001
94	VREFL0	PJ7*2				
95		P40*2				AN000
96	VREFH0	PJ6*2				
97	AVSS0					
98	AVCC0					
99		P07		TXD6/SMOSI6/SSDA6	TS0	ADTRG0#
100		PJ2				DA1

Note 1. Not 5 V tolerant.

Note 2. The power source of the I/O buffer for these pins is AVCC0.

Table 1.6 List of Pins and Pin Functions (100-Pin TFLGA) (1/3)

Pin No.	Power Supply, Clock, System Control	I/O Port	Timers (MTU, POE, RTC, TMR)	Communication (SCIE, SCIF, RSPI, RIIC, USB, SSI)	LCD, Touch	Others
A1		P02	MTIOC0D/POE3#/TMR13	RXD6/SMISO6/SSCL6	TS2	
A2		P07		TXD6/SMOSI6/SSDA6	TS0	ADTRG0#
A3	AVCC0					
A4	AVSS0					
A5		P44*2				AN004
A6		P92*2				AN021
A7		PD3	POE8#		SEG36	IRQ3
A8		PE6			SEG34	IRQ6/AN014
A9		PE7			SEG33	IRQ7/AN015/ CMPOB0
A10		PE0	MTIOC2A/POE3#	SCK12/CTS9#/RTS9#/SS9#/ SSISCK0	SEG32	IRQ0/AN008
B1		P25	MTIOC4C/MTCLKB		TS4	ADTRG0#
B2		P04	MTIOC0A/POE2#/TMC13	SCK6	TS1	
B3		PJ2				DA1
B4	VREFL0	PJ7*2				
B5		P90*2				AN005
B6		PD0			SEG39	IRQ0
B7		PD4	POE3#		SEG35	IRQ4
B8		PE2	MTIOC4A	RXD12/RDX12/SMISO12/ SSCL12/SSIRXD0	SEG30	IRQ7/AN010/ CVREFB0
B9		PE1	MTIOC4C	TXD12/TXD12/SIOX12/SMOSI12/ SSDA12/SSITXD0	SEG31	IRQ1/AN009/ CMPB0
B10		PE3	MTIOC0A/MTIOC1B/ MTIOC4B/POE8#	CTS12#/RTS12#/SS12#/RSPCKA/ SCK9/AUDIO_MCLK	SEG29	IRQ3/AN011
C1		PJ3	MTIOC3C	CTS6#/RTS6#/SS6#	TS3	
C2		P24	MTIOC4A/MTCLKA/ TMR11		TS5	
C3	VREFH0	PJ6*2				
C4	VREFH	P41*2				AN001
C5	VREFL	P42*2				AN002
C6		P91*2				AN007
C7		PD1	MTIOC4B		SEG38	IRQ1
C8		PD2	MTIOC4D		SEG37	IRQ2
C9		PE5	MTIOC2B/MTIOC4C	MISOA/TXD9/SMOSI9/SSDA9	SEG27	IRQ5/AN013/ CMPOB1
C10		PE4	MTIOC1A/MTIOC3A/ MTIOC4D	MOSIA/RXD9/SMISO9/SSCL9/ SSIWS0	SEG28	IRQ4/AN012
D1		P22	MTIOC3B/MTCLKC/ TMO0	SCK0	TS7	
D2		P23	MTIOC3D/MTCLKD	CTS0#/RTS0#/SS0#	TS6	
D3		P21	MTIOC1B/TMC10	RXD0/SMISO0/SSCL0	TS8	
D4		PJ0				DA0
D5		P43*2				AN003
D6		P46*2				AN006
D7		PF6	MTIOC3C		SEG26	
D8		PF7	MTIOC3A		SEG25	

Table 1.6 List of Pins and Pin Functions (100-Pin TFLGA) (2/3)

Pin No.	Power Supply, Clock, System Control	I/O Port	Timers (MTU, POE, RTC, TMR)	Communication (SCiE, SCiF, RSPI, RIIC, USB, SSI)	LCD, Touch	Others
D9		PA1	MTIOC0B/MTCLKC/RTCOUT	SCK5/SSLA2	SEG23	
D10		PA0	MTIOC4A	SSLA1	SEG24	CACREF
E1		P30	MTIOC4B/POE8#/TMR13	RXD1/SMISO1/SSCL1	CAPH	IRQ0
E2		P31	MTIOC4D/TMCI2	CTS1#/RTS1#/SS1#	CAPL	IRQ1
E3		P26	MTIOC2A/TMO1	TXD1/SMOSI1/SSDA1/ USB0_VBUSEN/TXD6/SMOSI6/ SSDA6	TSCAP	
E4		P20	MTIOC1A/TMR10	TXD0/SMOSI0/SSDA0	TS9	
E5		P40*2				AN000
E6		PA2		RXD5/SMISO5/SSCL5/IRRXD5/ SSLA3	SEG22	
E7		PA4	MTIOC2B/MTIC5U/ MTCLKA/TMR10	TXD5/SMOSI5/SSDA5/IRTXD5/ SSLA0/CTS8#/RTS8#/SS8#	SEG20	IRQ5/CVREFB1
E8		PA5		SCK8	SEG19	
E9		PA3	MTIOC0D/MTIOC1B/ MTCLKD/POE0#	RXD5/SMISO5/SSCL5/IRRXD5/ MISOA	SEG21	IRQ6/CMPB1
E10	VSS					
F1	XCOU					
F2	UPSEL	P35				NMI
F3	RES#					
F4		P27	MTIOC2B/TMCI3	SCK12/SCK1/RXD6/SMISO6/ SSCL6	TS10	IRQ3/ ADTRG0#/ CACREF/ CMPA2
F5		P56	MTIOC1A/MTIC5W/ POE2#	TXD1/SMOSI1/SSDA1	SEG04	IRQ5
F6		PB4		CTS9#/RTS9#/SS9#	SEG14	
F7		PA7		TXD8/SMOSI8/SSDA8	SEG18	
F8		PB0	MTIOC0C/MTIC5W/ RTCOUT	SCL0/RSPCKA/RXD6/SMISO6/ SSCL6		IRQ2/ADTRG0#
F9		PA6	MTIC5V/MTCLKB/ MTIOC2A/POE2#/TMCI3	CTS5#/RTS5#/SS5#/SDA0/MOSIA/ RXD8/SMISO8/SSCL8		IRQ3
F10	VCC					
G1	XCIN					
G2	UB#	P14	MTIOC0A/MTIOC3A/ MTCLKA/TMR12	CTS1#/RTS1#/SS1#/SSLA0/ TXD12/TXD12/SIOX12/SMOSI12/ SSDA12/USB0_OVRCURA		IRQ4
G3		P12	TMCI1	SCK12/SCK0	SEG01	IRQ2
G4	MD					FINED
G5		P10	MTIC5V/POE1#	TXD12/TXD12/SIOX12/SMOSI12/ SSDA12/TXD0/SMOSI0/SSDA0	SEG03	IRQ6
G6		P50	MTIOC2A	MOSIA/TXD2/SMOSI2/SSDA2	SEG08	
G7		PB5	MTIOC1B/MTIOC2A/ POE1#/TMR11	SCK9/SSISCK0	SEG13/ COM6	
G8		PB2		CTS6#/RTS6#/SS6#	SEG16	
G9		PB1	MTIOC0C/MTIOC4C/ TMCI0	TXD6/SMOSI6/SSDA6/SSIWS0	SEG17	IRQ4
G10		PB3	MTIOC0A/MTIOC3B/ MTIOC4A/POE3#/TMO0	SCK6/AUDIO_MCLK/ USB0_OVRCURA	SEG15/ COM7	

Table 1.6 List of Pins and Pin Functions (100-Pin TFLGA) (3/3)

Pin No.	Power Supply, Clock, System Control	I/O Port	Timers (MTU, POE, RTC, TMR)	Communication (SCIE, SCIf, RSPI, RIIC, USB, SSI)	LCD, Touch	Others
H1	XTAL					
H2	EXTAL					
H3		P15	MTIOC0B/MTCLKB/TMCI2	RXD1/SMISO1/SSCL1/RSPCKA		IRQ5/CLKOUT/CACREF
H4		P13	MTIOC0B/TMO3	CTS12#/RTS12#/SS12#/CTS0#/RTS0#/SS0#	SEG00	IRQ3
H5		P11	MTIC5U/POE0#	RXD12/RDX12/SMISO12/SSCL12/RXD0/SMISO0/SSCL0	SEG02	IRQ7
H6		P51	MTIOC4C	RSPCKA/SCK2	SEG07	
H7		PC0	MTIOC3C	CTS5#/RTS5#/SS5#/SSLA1	SEG10	
H8		PC1	MTIOC3A	SCK5/SSLA2	SEG09	
H9		PB6	MTIOC3D	RXD9/SMISO9/SSCL9/SSIRXD0	SEG12/COM5	
H10		PB7	MTIOC3B	TXD9/SMOSI9/SSDA9/SSITXD0	SEG11/COM4	
J1	VCL					
J2		P17	MTIOC0C/MTIOC3A/MTIOC3B/POE8#/TMO1	SCK1/MISOA/SDA0/RXD12/RDX12/SMISO12/SSCL12		IRQ7
J3		P32	MTIOC0C/RTCOU/ TMO3	TXD6/SMOSI6/SSDA6/CTS6#/RTS6#/SS6#	TS11	IRQ2
J4	VCC_USB					
J5	VSS_USB					
J6		P52		MISOA/RXD2/SMISO2/SSCL2	SEG06	
J7		P55	MTIOC4D/TMO3		VL1	
J8		PC7	MTIOC3A/MTCLKB/TMO2	TXD1/SMOSI1/SSDA1/MISOA/ TXD8/SMOSI8/SSDA8/ USB0_OVRCURB	VL3	CACREF
J9		PC4	MTIOC3D/MTCLKC/POE0#/TMCI1	SSLA0/CTS8#/RTS8#/SS8#/SCK5/USB0_VBUSEN/USB0_VBUS*1	COM1	IRQ2/CLKOUT
J10		PC2	MTIOC4B	RXD5/SMISO5/SSCL5/IRRXD5/SSLA3	COM3	
K1	VSS					
K2	VCC					
K3		P16	MTIOC3C/MTIOC3D/RTCOU/TMO2	TXD1/SMOSI1/SSDA1/MOSIA/SCL0/USB0_VBUS/USB0_VBUSEN/USB0_OVRCURB		IRQ6/ADTRG0#
K4				USB0_DM		
K5				USB0_DP		
K6		P53	MTIOC2B	SSLA0/CTS2#/RTS2#/SS2#	SEG05	
K7		P54	MTIOC4B/TMCI1		VL2	
K8		PC6	MTIOC3C/MTCLKA/TMCI2	RXD1/SMISO1/SSCL1/MOSIA/RXD8/SMISO8/SSCL8/USB0_EXICEN	VL4	
K9		PC5	MTIOC3B/MTCLKD/TMRI2	SCK1/RSPCKA/SCK8/USB0_ID	COM0	
K10		PC3	MTIOC4D	TXD5/SMOSI5/SSDA5/IRTXD5	COM2	

Note 1. Not 5 V tolerant.

Note 2. The power source of the I/O buffer for these pins is AVCC0.

Table 1.7 List of Pins and Pin Functions (64-Pin LQFP) (1/2)

Pin No.	Power Supply, Clock, System Control	I/O Port	Timers (MTU, POE, RTC, TMR)	Communication (SCIE, SCIF, RSPI, RIIC, USB, SSI)	LCD, Touch	Others
1		PJ0				DA0
2		P27	MTIOC2B/TMCI3	SCK1/SCK12/RXD6/SMISO6/SSCL6		IRQ3/CMPA2/CACREF/ADTRG0#
3		P26	MTIOC2A/TMO1	TXD1/SMOSI1/SSDA1/USB0_VBUSEN/TXD6/SMOSI6/SSDA6		
4		P30	MTIOC4B/POE8#/TMRI3	RXD1/SMISO1/SSCL1	CAPH	IRQ0
5		P31	MTIOC4D/TMCI2	CTS1#/RTS1#/SS1#	CAPL	IRQ1
6	MD					FINED
7	RES#					
8	XCOUT					
9	XCIN					
10	UPSEL	P35				NMI
11	XTAL					
12	EXTAL					
13	VCL					
14	VSS					
15	VCC					
16		P32	MTIOC0C/RTCOUT/TMO3	TXD6/SMOSI6/SSDA6/CTS6#/RTS6#/SS6#		IRQ2
17		P17	MTIOC0C/MTIOC3A/MTIOC3B/POE8#/TMO1	SCK1/MISOA/SDA0/RXD12/RXD12/SMISO12/SSCL12		IRQ7
18		P16	MTIOC3C/MTIOC3D/RTCOUT/TMO2	TXD1/SMOSI1/SSDA1/MOSIA/SCL0/USB0_VBUS/USB0_VBUSEN/USB0_OVRCURB		IRQ6/ADTRG0#
19		P15	MTIOC0B/MTCLKB/TMCI2	RXD1/SMISO1/SSCL1/RSPCKA		IRQ5/CLKOUT/CACREF
20	UB#	P14	MTIOC0A/MTIOC3A/MTCLKA/TMRI2	CTS1#/RTS1#/SS1#/SSLA0/TXD12/TXD12/SIOX12/SMOSI12/SSDA12/USB0_OVRCURA		IRQ4
21	VCC_USB					
22				USB0_DM		
23				USB0_DP		
24	VSS_USB					
25		P55	MTIOC4D/TMO3		VL1	
26		P54	MTIOC4B/TMCI1		VL2	
27		PC7	MTIOC3A/MTCLKB/TMO2	TXD1/SMOSI1/SSDA1/MISOA/TXD8/SMOSI8/SSDA8/USB0_OVRCURB	VL3	CACREF
28		PC6	MTIOC3C/MTCLKA/TMCI2	RXD1/SMISO1/SSCL1/MOSIA/RXD8/SMISO8/SSCL8/USB0_EXICEN	VL4	
29		PC5	MTIOC3B/MTCLKD/TMRI2	SCK1/RSPCKA/SCK8/USB0_ID	COM0	
30		PC4	MTIOC3D/MTCLKC/POE0#/TMCI1	SSLA0/CTS8#/RTS8#/SS8#/SCK5/USB0_VBUSEN/USB0_VBUS*1	COM1	IRQ2/CLKOUT
31		PC3	MTIOC4D	TXD5/SMOSI5/SSDA5/IRTXD5	COM2	
32		PC2	MTIOC4B	RXD5/SMISO5/SSCL5/SSLA3/IRRXD5	COM3	

Table 1.7 List of Pins and Pin Functions (64-Pin LQFP) (2/2)

Pin No.	Power Supply, Clock, System Control	I/O Port	Timers (MTU, POE, RTC, TMR)	Communication (SCIE, SCIF, RSPI, RIIC, USB, SSI)	LCD, Touch	Others
33		PB7/ PC1	MTIOC3B	TXD9/SMOSI9/SSDA9/SSITXD0	SEG11/ COM4	
34		PB6/ PC0	MTIOC3D	RXD9/SMISO9/SSCL9/SSIRXD0	SEG12/ COM5	
35		PB5	MTIOC2A/MTIOC1B/ POE1#/TMR1	SCK9/SSISCK0	SEG13/ COM6	
36		PB3	MTIOC0A/MTIOC3B/ MTIOC4A/POE3#/TMO0	SCK6/AUDIO_MCLK/ USB0_OVRCURA	SEG15/ COM7	
37		PB1	MTIOC0C/MTIOC4C/ TMCIO	TXD6/SMOSI6/SSDA6/SSIWS0	SEG17	IRQ4
38	VCC					
39		PB0	MTIC5W/MTIOC0C/ RTCOUT	SCL0/RSPCKA/RXD6/SMISO6/ SSCL6		IRQ2/ADTRG0#
40	VSS					
41		PA6	MTIC5V/MTCLKB/ MTIOC2A/POE2#/TMC13	CTS5#/RTS5#/SS5#/SDA0/MOSIA		IRQ3
42		PA4	MTIC5U/MTCLKA/ MTIOC2B/TMR10	TXD5/SMOSI5/SSDA5/IRTXD5/ SSLA0	SEG20	IRQ5/CVREFB1
43		PA3	MTIOC0D/MTCLKD/ MTIOC1B/POE0#	RXD5/SMISO5/SSCL5/IRRXD5/ MISOA	SEG21	IRQ6/CMPB1
44		PA1	MTIOC0B/MTCLKC/ RTCOUT	SCK5/SSLA2	SEG23	
45		PA0	MTIOC4A	SSLA1	SEG24	CACREF
46		PE5	MTIOC4C/MTIOC2B	MISOA/TXD9/SMOSI9/SSDA9	SEG27	IRQ5/AN013/ CMPOB1
47		PE4	MTIOC4D/MTIOC1A/ MTIOC3A	MOSIA/RXD9/SMISO9/SSCL9/ SSIWS0	SEG28	IRQ4/AN012
48		PE3	MTIOC0A/MTIOC1B/ MTIOC4B/POE8#	CTS12#/RTS12#/SS12#/RSPCKA/ SCK9/AUDIO_MCLK	SEG29	IRQ3/AN011
49		PE2	MTIOC4A	RXD12/RDX12/SMISO12/ SSCL12/SSIRXD0	SEG30	IRQ7/AN010/ CVREFB0
50		PE1	MTIOC4C	TXD12/TXD12/SIOX12/SMOSI12/ SSDA12/SSITXD0	SEG31	IRQ1/AN009/ CMPB0
51		PE0	MTIOC2A/POE3#	SCK12/CTS9#/RTS9#/SS9#/ SSISCK0	SEG32	IRQ0/AN008
52		PE7			SEG33	IRQ7/AN015/ CMPOB0
53		PE6			SEG34	IRQ6/AN014
54		PD2	MTIOC4D		SEG37	IRQ2
55		PD1	MTIOC4B		SEG38	IRQ1
56		PD0			SEG39	IRQ0
57	VREFL	P42*2				AN002
58	VREFH	P41*2				AN001
59	VREFL0	PJ7*2				
60		P40*2				AN000
61	VREFH0	PJ6*2				
62	AVSS0					
63	AVCC0					
64		PJ2				DA1

Note 1. Not 5 V tolerant.

Note 2. The power source of the I/O buffer for these pins is AVCC0.

2. CPU

Figure 2.1 shows the register set of the CPU.

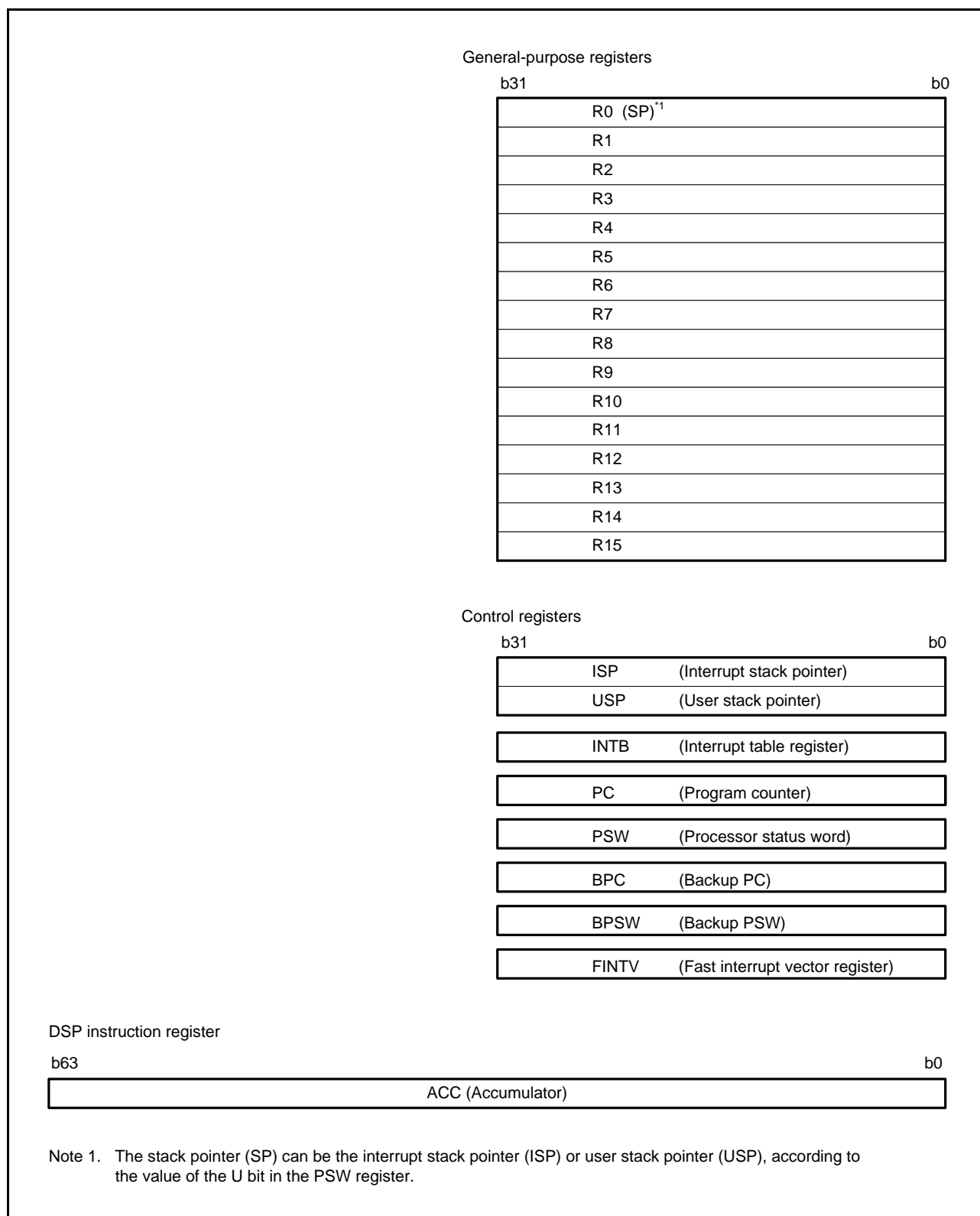


Figure 2.1 Register Set of the CPU

2.1 General-Purpose Registers (R0 to R15)

This CPU has 16 general-purpose registers (R0 to R15). R0 to R15 can be used as data registers or address registers. R0, a general-purpose register, also functions as the stack pointer (SP). The stack pointer is switched to operate as the interrupt stack pointer (ISP) or user stack pointer (USP) by the value of the stack pointer select bit (U) in the processor status word (PSW).

2.2 Control Registers

(1) Interrupt Stack Pointer (ISP)/User Stack Pointer (USP)

The stack pointer (SP) can be either of two types, the interrupt stack pointer (ISP) or the user stack pointer (USP). Whether the stack pointer operates as the ISP or USP depends on the value of the stack pointer select bit (U) in the processor status word (PSW).

Set the ISP or USP to a multiple of 4, as this reduces the numbers of cycles required to execute interrupt sequences and instructions entailing stack manipulation.

(2) Interrupt Table Register (INTB)

The interrupt table register (INTB) specifies the address where the relocatable vector table starts.

(3) Program Counter (PC)

The program counter (PC) indicates the address of the instruction being executed.

(4) Processor Status Word (PSW)

The processor status word (PSW) indicates the results of instruction execution or the state of the CPU.

(5) Backup PC (BPC)

The backup PC (BPC) is provided to speed up response to interrupts.

After a fast interrupt has been generated, the contents of the program counter (PC) are saved in the BPC register.

(6) Backup PSW (BPSW)

The backup PSW (BPSW) is provided to speed up response to interrupts.

After a fast interrupt has been generated, the contents of the processor status word (PSW) are saved in the BPSW. The allocation of bits in the BPSW corresponds to that in the PSW.

(7) Fast Interrupt Vector Register (FINTV)

The fast interrupt vector register (FINTV) is provided to speed up response to interrupts.

The FINTV register specifies a branch destination address when a fast interrupt has been generated.

2.3 Register Associated with DSP Instructions

(1) Accumulator (ACC)

The accumulator (ACC) is a 64-bit register used for DSP instructions. The accumulator is also used for the multiply and multiply-and-accumulate instructions; EMUL, EMULU, MUL, and RMPA, in which case the prior value in the accumulator is modified by execution of the instruction.

Use the MVTACHI and MVTACLO instructions for writing to the accumulator. The MVTACHI and MVTACLO instructions write data to the higher-order 32 bits (bits 63 to 32) and the lower-order 32 bits (bits 31 to 0), respectively.

Use the MVFACHI and MVFACMI instructions for reading data from the accumulator. The MVFACHI and MVFACMI instructions read data from the higher-order 32 bits (bits 63 to 32) and the middle 32 bits (bits 47 to 16), respectively.

3. Address Space

3.1 Address Space

This MCU has a 4-Gbyte address space, consisting of the range of addresses from 0000 0000h to FFFF FFFFh. That is, linear access to an address space of up to 4 Gbytes is possible, and this contains program area.

Figure 3.1 shows the memory map.

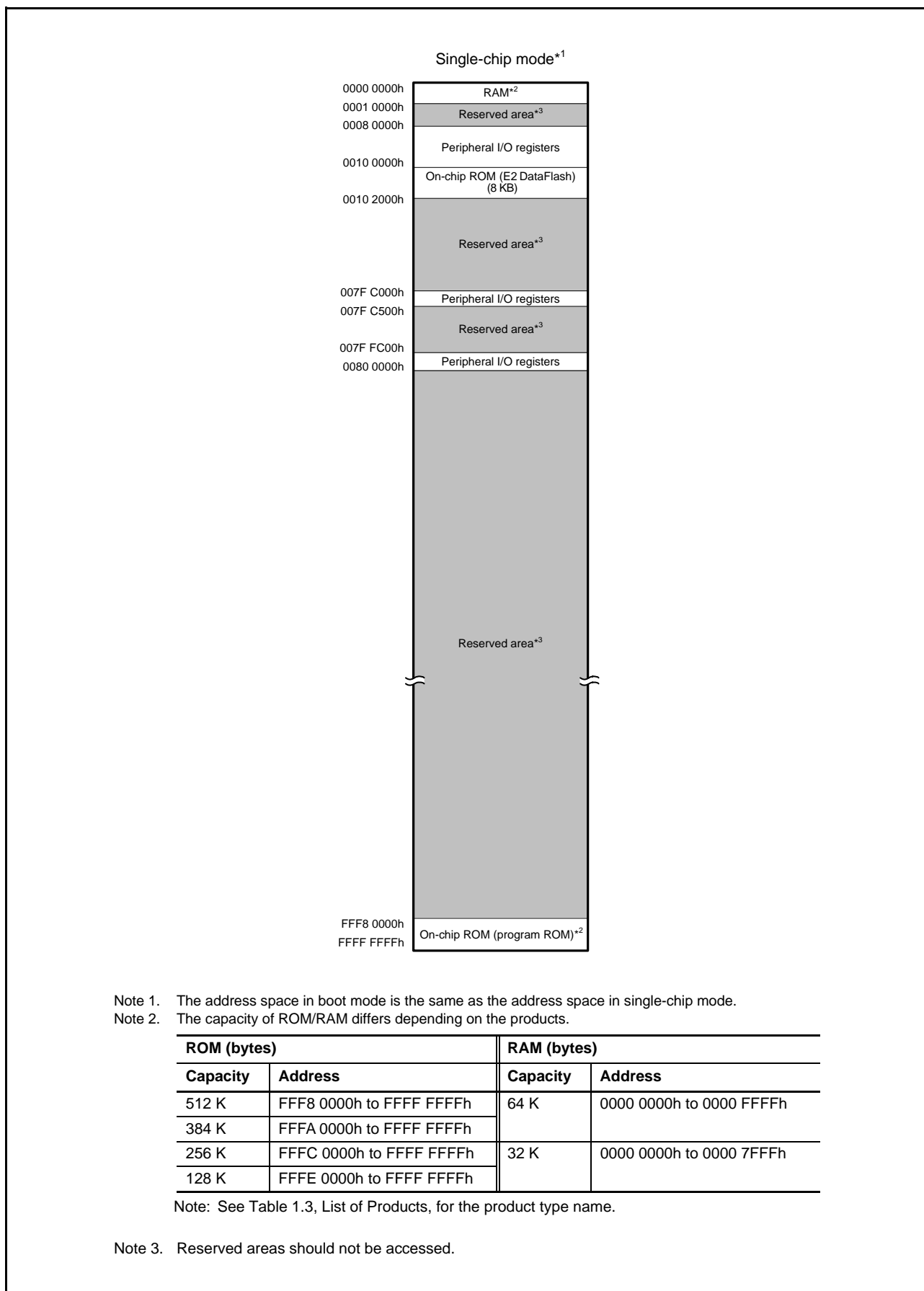


Figure 3.1 Memory Map

4. I/O Registers

This section provides information on the on-chip I/O register addresses and bit configuration. The information is given as shown below. Notes on writing to I/O registers are also given below.

(1) I/O register addresses (address order)

- Registers are listed from the lower allocation addresses.
- Registers are classified according to module symbols.
- Numbers of cycles for access indicate numbers of cycles of the given base clock.
- Among the internal I/O register area, addresses not listed in the list of registers are reserved. Reserved addresses must not be accessed. Do not access these addresses; otherwise, the operation when accessing these bits and subsequent operations cannot be guaranteed.

(2) Notes on writing to I/O registers

While writing to an I/O register, the CPU starts executing subsequent instructions before the I/O register write access is completed. This may cause the subsequent instructions to be executed before the write value is reflected in the operation. The examples below show how subsequent instructions must be executed after a write access to an I/O register is completed.

[Examples of cases requiring special care]

- The subsequent instruction must be executed while an interrupt request is disabled with the IENj bit in IERn of the ICU (interrupt request enable bit) set to 0.
- A WAIT instruction is executed immediately after the preprocessing for causing a transition to the low power consumption state.

In the above cases, after writing to an I/O register, wait until the write operation is completed using the following procedure and then execute the subsequent instruction.

- Write to an I/O register.
- Read the value in the I/O register and write it to a general register.
- Execute the operation using the value read.
- Execute the subsequent instruction.

Example of instructions

- Byte-size I/O registers

```
MOV.L #SFR_ADDR, R1
MOV.B #SFR_DATA, [R1]
CMP [R1].UB, R1
;; Next process
```

- Word-size I/O registers

```
MOV.L #SFR_ADDR, R1
MOV.W #SFR_DATA, [R1]
CMP [R1].W, R1
;; Next process
```

- Longword-size I/O registers

```
MOV.L #SFR_ADDR, R1
MOV.L #SFR_DATA, [R1]
CMP [R1].L, R1
;; Next process
```

When executing an instruction after writing to multiple registers, only read the last I/O register written to and execute the instruction using that value; it is not necessary to execute the instruction using the values written to all the registers.

(3) Number of cycles necessary for accessing I/O registers

See Table 4.1 for details on the number of clock cycles necessary for accessing I/O registers.

The number of access cycles to I/O registers is obtained by following equation.*1

$$\begin{aligned} \text{Number of access cycles to I/O registers} = & \text{Number of bus cycles for internal main bus 1} + \\ & \text{Number of divided clock synchronization cycles} + \\ & \text{Number of bus cycles for internal peripheral buses 1 to 6} \end{aligned}$$

The number of bus cycles of internal peripheral buses 1 to 6 differs according to the register to be accessed.

When peripheral functions connected to internal peripheral buses 2 to 6 or registers for the external bus control unit (except for bus error related registers) are accessed, the number of divided clock synchronization cycles is added.

The number of divided clock synchronization cycles differs depending on the frequency ratio between ICLK and PCLK (or FCLK) or bus access timing.

In the peripheral function unit, when the frequency ratio of ICLK is equal to or greater than that of PCLK (or FCLK), the sum of the number of bus cycles for internal main bus 1 and the number of the divided clock synchronization cycles will be one cycle of PCLK (or FCLK) at a maximum. Therefore, one PCLK (or FCLK) has been added to the number of access cycles shown in Table 4.1.

When the frequency ratio of ICLK is lower than that of PCLK (or FCLK), the subsequent bus access is started from the ICLK cycle following the completion of the access to the peripheral functions. Therefore, the access cycles are described on an ICLK basis.

Note 1. This applies to the number of cycles when the access from the CPU does not conflict with the bus access from the different bus master (DTC).

(4) Notes on sleep mode and mode transitions

During sleep mode or mode transitions, do not write to the system control related registers (indicated by 'SYSTEM' in the Module Symbol column in Table 4.1, List of I/O Registers (Address Order)).

4.1 I/O Register Addresses (Address Order)

Table 4.1 List of I/O Registers (Address Order) (1/24)

Address	Module Symbol	Register Name	Register Symbol	Number of Bits	Access Size	Number of Access States
0008 0000h	SYSTEM	Mode Monitor Register	MDMONR	16	16	3 ICLK
0008 0008h	SYSTEM	System Control Register 1	SYSCR1	16	16	3 ICLK
0008 000Ch	SYSTEM	Standby Control Register	SBYCR	16	16	3 ICLK
0008 0010h	SYSTEM	Module Stop Control Register A	MSTPCRA	32	32	3 ICLK
0008 0014h	SYSTEM	Module Stop Control Register B	MSTPCRB	32	32	3 ICLK
0008 0018h	SYSTEM	Module Stop Control Register C	MSTPCRC	32	32	3 ICLK
0008 001Ch	SYSTEM	Module Stop Control Register D	MSTPCRD	32	32	3 ICLK
0008 0020h	SYSTEM	System Clock Control Register	SCKCR	32	32	3 ICLK
0008 0026h	SYSTEM	System Clock Control Register 3	SCKCR3	16	16	3 ICLK
0008 0028h	SYSTEM	PLL Control Register	PLLCR	16	16	3 ICLK
0008 002Ah	SYSTEM	PLL Control Register 2	PLLCR2	8	8	3 ICLK
0008 002Ch	SYSTEM	USB-dedicated PLL Control Register	UPLLCR	16	16	3 ICLK
0008 002Eh	SYSTEM	USB-dedicated PLL Control Register 2	UPLLCR2	8	8	3 ICLK
0008 0032h	SYSTEM	Main Clock Oscillator Control Register	MOSCCR	8	8	3 ICLK
0008 0033h	SYSTEM	Sub-Clock Oscillator Control Register	SOSCCR	8	8	3 ICLK
0008 0034h	SYSTEM	Low-Speed On-Chip Oscillator Control Register	LOCOCR	8	8	3 ICLK
0008 0035h	SYSTEM	IWDT-Dedicated On-Chip Oscillator Control Register	ILOCOCR	8	8	3 ICLK
0008 0036h	SYSTEM	High-Speed On-Chip Oscillator Control Register	HOCOCR	8	8	3 ICLK
0008 003Ch	SYSTEM	Oscillation Stabilization Flag Register	OSCOVFSR	8	8	3 ICLK
0008 003Eh	SYSTEM	CLKOUT Output Control Register	CKOCR	16	16	3 ICLK
0008 0040h	SYSTEM	Oscillation Stop Detection Control Register	OSTDCR	8	8	3 ICLK
0008 0041h	SYSTEM	Oscillation Stop Detection Status Register	OSTDSR	8	8	3 ICLK
0008 0050h	SYSTEM	LCD Source Clock Control Register	LCDSCLKCR	8	8	3 ICLK
0008 0051h	SYSTEM	LCD Source Clock Control Register 2	LCDSCLKCR2	8	8	3 ICLK
0008 00A0h	SYSTEM	Operating Power Control Register	OPCCR	8	8	3 ICLK
0008 00A1h	SYSTEM	Sleep Mode Return Clock Source Switching Register	RSTCKCR	8	8	3 ICLK
0008 00A2h	SYSTEM	Main Clock Oscillator Wait Control Register	MOSCWTCR	8	8	3 ICLK
0008 00A5h	SYSTEM	High-Speed On-Chip Oscillator Wait Control Register	HOCOWTCR	8	8	3 ICLK
0008 00AAh	SYSTEM	Sub Operating Power Control Register	SOPCCR	8	8	3 ICLK
0008 00B0h	LPT	Low-Power Timer Control Register 1	LPTCR1	8	8	3 ICLK
0008 00B1h	LPT	Low-Power Timer Control Register 2	LPTCR2	8	8	3 ICLK
0008 00B2h	LPT	Low-Power Timer Control Register 3	LPTCR3	8	8	3 ICLK
0008 00B4h	LPT	Low-Power Timer Period Setting Register	LPTPRD	16	16	3 ICLK
0008 00B8h	LPT	Low-Power Timer Compare Register 0	LPCMR0	16	16	3 ICLK
0008 00BCh	LPT	Low-Power Timer Standby Wakeup Enable Register	LPWUCR	16	16	3 ICLK
0008 00C0h	SYSTEM	Reset Status Register 2	RSTSR2	8	8	3 ICLK
0008 00C2h	SYSTEM	Software Reset Register	SWRR	16	16	3 ICLK
0008 00E0h	SYSTEM	Voltage Monitoring 1 Circuit Control Register 1	LVD1CR1	8	8	3 ICLK
0008 00E1h	SYSTEM	Voltage Monitoring 1 Circuit Status Register	LVD1SR	8	8	3 ICLK
0008 00E2h	SYSTEM	Voltage Monitoring 2 Circuit Control Register 1	LVD2CR1	8	8	3 ICLK
0008 00E3h	SYSTEM	Voltage Monitoring 2 Circuit Status Register	LVD2SR	8	8	3 ICLK
0008 03FEh	SYSTEM	Protect Register	PRCR	16	16	3 ICLK
0008 1300h	BSC	Bus Error Status Clear Register	BERCLR	8	8	2 ICLK
0008 1304h	BSC	Bus Error Monitoring Enable Register	BEREN	8	8	2 ICLK
0008 1308h	BSC	Bus Error Status Register 1	BERSR1	8	8	2 ICLK
0008 130Ah	BSC	Bus Error Status Register 2	BERSR2	16	16	2 ICLK
0008 1310h	BSC	Bus Priority Control Register	BUSPRI	16	16	2 ICLK
0008 2400h	DTC	DTC Control Register	DTCCR	8	8	2 ICLK
0008 2404h	DTC	DTC Vector Base Register	DTCVBR	32	32	2 ICLK
0008 2408h	DTC	DTC Address Mode Register	DTCADMOD	8	8	2 ICLK

Table 4.1 List of I/O Registers (Address Order) (2/24)

Address	Module Symbol	Register Name	Register Symbol	Number of Bits	Access Size	Number of Access States
0008 240Ch	DTC	DTC Module Start Register	DTCST	8	8	2 ICLK
0008 240Eh	DTC	DTC Status Register	DTCSTS	16	16	2 ICLK
0008 7010h	ICU	Interrupt Request Register 016	IR016	8	8	2 ICLK
0008 701Bh	ICU	Interrupt Request Register 027	IR027	8	8	2 ICLK
0008 701Ch	ICU	Interrupt Request Register 028	IR028	8	8	2 ICLK
0008 701Dh	ICU	Interrupt Request Register 029	IR029	8	8	2 ICLK
0008 701Eh	ICU	Interrupt Request Register 030	IR030	8	8	2 ICLK
0008 701Fh	ICU	Interrupt Request Register 031	IR031	8	8	2 ICLK
0008 7020h	ICU	Interrupt Request Register 032	IR032	8	8	2 ICLK
0008 7021h	ICU	Interrupt Request Register 033	IR033	8	8	2 ICLK
0008 7022h	ICU	Interrupt Request Register 034	IR034	8	8	2 ICLK
0008 7024h	ICU	Interrupt Request Register 036	IR036	8	8	2 ICLK
0008 7025h	ICU	Interrupt Request Register 037	IR037	8	8	2 ICLK
0008 7026h	ICU	Interrupt Request Register 038	IR038	8	8	2 ICLK
0008 702Ch	ICU	Interrupt Request Register 044	IR044	8	8	2 ICLK
0008 702Dh	ICU	Interrupt Request Register 045	IR045	8	8	2 ICLK
0008 702Eh	ICU	Interrupt Request Register 046	IR046	8	8	2 ICLK
0008 702Fh	ICU	Interrupt Request Register 047	IR047	8	8	2 ICLK
0008 7039h	ICU	Interrupt Request Register 057	IR057	8	8	2 ICLK
0008 703Ah	ICU	Interrupt Request Register 058	IR058	8	8	2 ICLK
0008 703Bh	ICU	Interrupt Request Register 059	IR059	8	8	2 ICLK
0008 703Ch	ICU	Interrupt Request Register 060	IR060	8	8	2 ICLK
0008 703Dh	ICU	Interrupt Request Register 061	IR061	8	8	2 ICLK
0008 703Eh	ICU	Interrupt Request Register 062	IR062	8	8	2 ICLK
0008 703Fh	ICU	Interrupt Request Register 063	IR063	8	8	2 ICLK
0008 7040h	ICU	Interrupt Request Register 064	IR064	8	8	2 ICLK
0008 7041h	ICU	Interrupt Request Register 065	IR065	8	8	2 ICLK
0008 7042h	ICU	Interrupt Request Register 066	IR066	8	8	2 ICLK
0008 7043h	ICU	Interrupt Request Register 067	IR067	8	8	2 ICLK
0008 7044h	ICU	Interrupt Request Register 068	IR068	8	8	2 ICLK
0008 7045h	ICU	Interrupt Request Register 069	IR069	8	8	2 ICLK
0008 7046h	ICU	Interrupt Request Register 070	IR070	8	8	2 ICLK
0008 7047h	ICU	Interrupt Request Register 071	IR071	8	8	2 ICLK
0008 7058h	ICU	Interrupt Request Register 088	IR088	8	8	2 ICLK
0008 7059h	ICU	Interrupt Request Register 089	IR089	8	8	2 ICLK
0008 705Ah	ICU	Interrupt Request Register 090	IR090	8	8	2 ICLK
0008 705Ch	ICU	Interrupt Request Register 092	IR092	8	8	2 ICLK
0008 705Dh	ICU	Interrupt Request Register 093	IR093	8	8	2 ICLK
0008 7066h	ICU	Interrupt Request Register 102	IR102	8	8	2 ICLK
0008 7067h	ICU	Interrupt Request Register 103	IR103	8	8	2 ICLK
0008 706Ah	ICU	Interrupt Request Register 106	IR106	8	8	2 ICLK
0008 706Ch	ICU	Interrupt Request Register 108	IR108	8	8	2 ICLK
0008 706Dh	ICU	Interrupt Request Register 109	IR109	8	8	2 ICLK
0008 706Eh	ICU	Interrupt Request Register 110	IR110	8	8	2 ICLK
0008 7072h	ICU	Interrupt Request Register 114	IR114	8	8	2 ICLK
0008 7073h	ICU	Interrupt Request Register 115	IR115	8	8	2 ICLK
0008 7074h	ICU	Interrupt Request Register 116	IR116	8	8	2 ICLK
0008 7075h	ICU	Interrupt Request Register 117	IR117	8	8	2 ICLK
0008 7076h	ICU	Interrupt Request Register 118	IR118	8	8	2 ICLK
0008 7077h	ICU	Interrupt Request Register 119	IR119	8	8	2 ICLK
0008 7078h	ICU	Interrupt Request Register 120	IR120	8	8	2 ICLK
0008 7079h	ICU	Interrupt Request Register 121	IR121	8	8	2 ICLK

Table 4.1 List of I/O Registers (Address Order) (3/24)

Address	Module Symbol	Register Name	Register Symbol	Number of Bits	Access Size	Number of Access States
0008 707Ah	ICU	Interrupt Request Register 122	IR122	8	8	2 ICLK
0008 707Bh	ICU	Interrupt Request Register 123	IR123	8	8	2 ICLK
0008 707Ch	ICU	Interrupt Request Register 124	IR124	8	8	2 ICLK
0008 707Dh	ICU	Interrupt Request Register 125	IR125	8	8	2 ICLK
0008 707Eh	ICU	Interrupt Request Register 126	IR126	8	8	2 ICLK
0008 707Fh	ICU	Interrupt Request Register 127	IR127	8	8	2 ICLK
0008 7080h	ICU	Interrupt Request Register 128	IR128	8	8	2 ICLK
0008 7081h	ICU	Interrupt Request Register 129	IR129	8	8	2 ICLK
0008 7082h	ICU	Interrupt Request Register 130	IR130	8	8	2 ICLK
0008 7083h	ICU	Interrupt Request Register 131	IR131	8	8	2 ICLK
0008 7084h	ICU	Interrupt Request Register 132	IR132	8	8	2 ICLK
0008 7085h	ICU	Interrupt Request Register 133	IR133	8	8	2 ICLK
0008 7086h	ICU	Interrupt Request Register 134	IR134	8	8	2 ICLK
0008 7087h	ICU	Interrupt Request Register 135	IR135	8	8	2 ICLK
0008 7088h	ICU	Interrupt Request Register 136	IR136	8	8	2 ICLK
0008 7089h	ICU	Interrupt Request Register 137	IR137	8	8	2 ICLK
0008 708Ah	ICU	Interrupt Request Register 138	IR138	8	8	2 ICLK
0008 708Bh	ICU	Interrupt Request Register 139	IR139	8	8	2 ICLK
0008 708Ch	ICU	Interrupt Request Register 140	IR140	8	8	2 ICLK
0008 708Dh	ICU	Interrupt Request Register 141	IR141	8	8	2 ICLK
0008 70AAh	ICU	Interrupt Request Register 170	IR170	8	8	2 ICLK
0008 70ABh	ICU	Interrupt Request Register 171	IR171	8	8	2 ICLK
0008 70AEh	ICU	Interrupt Request Register 174	IR174	8	8	2 ICLK
0008 70AFh	ICU	Interrupt Request Register 175	IR175	8	8	2 ICLK
0008 70B0h	ICU	Interrupt Request Register 176	IR176	8	8	2 ICLK
0008 70B1h	ICU	Interrupt Request Register 177	IR177	8	8	2 ICLK
0008 70B2h	ICU	Interrupt Request Register 178	IR178	8	8	2 ICLK
0008 70B3h	ICU	Interrupt Request Register 179	IR179	8	8	2 ICLK
0008 70B4h	ICU	Interrupt Request Register 180	IR180	8	8	2 ICLK
0008 70B5h	ICU	Interrupt Request Register 181	IR181	8	8	2 ICLK
0008 70B6h	ICU	Interrupt Request Register 182	IR182	8	8	2 ICLK
0008 70B7h	ICU	Interrupt Request Register 183	IR183	8	8	2 ICLK
0008 70B8h	ICU	Interrupt Request Register 184	IR184	8	8	2 ICLK
0008 70B9h	ICU	Interrupt Request Register 185	IR185	8	8	2 ICLK
0008 70BAh	ICU	Interrupt Request Register 186	IR186	8	8	2 ICLK
0008 70BBh	ICU	Interrupt Request Register 187	IR187	8	8	2 ICLK
0008 70BCh	ICU	Interrupt Request Register 188	IR188	8	8	2 ICLK
0008 70BDh	ICU	Interrupt Request Register 189	IR189	8	8	2 ICLK
0008 70D6h	ICU	Interrupt Request Register 214	IR214	8	8	2 ICLK
0008 70D7h	ICU	Interrupt Request Register 215	IR215	8	8	2 ICLK
0008 70D8h	ICU	Interrupt Request Register 216	IR216	8	8	2 ICLK
0008 70D9h	ICU	Interrupt Request Register 217	IR217	8	8	2 ICLK
0008 70DAh	ICU	Interrupt Request Register 218	IR218	8	8	2 ICLK
0008 70DBh	ICU	Interrupt Request Register 219	IR219	8	8	2 ICLK
0008 70DCh	ICU	Interrupt Request Register 220	IR220	8	8	2 ICLK
0008 70DDh	ICU	Interrupt Request Register 221	IR221	8	8	2 ICLK
0008 70DEh	ICU	Interrupt Request Register 222	IR222	8	8	2 ICLK
0008 70DFh	ICU	Interrupt Request Register 223	IR223	8	8	2 ICLK
0008 70E0h	ICU	Interrupt Request Register 224	IR224	8	8	2 ICLK
0008 70E1h	ICU	Interrupt Request Register 225	IR225	8	8	2 ICLK
0008 70E2h	ICU	Interrupt Request Register 226	IR226	8	8	2 ICLK
0008 70E3h	ICU	Interrupt Request Register 227	IR227	8	8	2 ICLK

Table 4.1 List of I/O Registers (Address Order) (4/24)

Address	Module Symbol	Register Name	Register Symbol	Number of Bits	Access Size	Number of Access States
0008 70E4h	ICU	Interrupt Request Register 228	IR228	8	8	2 ICLK
0008 70E5h	ICU	Interrupt Request Register 229	IR229	8	8	2 ICLK
0008 70E6h	ICU	Interrupt Request Register 230	IR230	8	8	2 ICLK
0008 70E7h	ICU	Interrupt Request Register 231	IR231	8	8	2 ICLK
0008 70E8h	ICU	Interrupt Request Register 232	IR232	8	8	2 ICLK
0008 70E9h	ICU	Interrupt Request Register 233	IR233	8	8	2 ICLK
0008 70EAh	ICU	Interrupt Request Register 234	IR234	8	8	2 ICLK
0008 70EBh	ICU	Interrupt Request Register 235	IR235	8	8	2 ICLK
0008 70ECh	ICU	Interrupt Request Register 236	IR236	8	8	2 ICLK
0008 70EDh	ICU	Interrupt Request Register 237	IR237	8	8	2 ICLK
0008 70EEh	ICU	Interrupt Request Register 238	IR238	8	8	2 ICLK
0008 70EFh	ICU	Interrupt Request Register 239	IR239	8	8	2 ICLK
0008 70F0h	ICU	Interrupt Request Register 240	IR240	8	8	2 ICLK
0008 70F1h	ICU	Interrupt Request Register 241	IR241	8	8	2 ICLK
0008 70F2h	ICU	Interrupt Request Register 242	IR242	8	8	2 ICLK
0008 70F3h	ICU	Interrupt Request Register 243	IR243	8	8	2 ICLK
0008 70F4h	ICU	Interrupt Request Register 244	IR244	8	8	2 ICLK
0008 70F5h	ICU	Interrupt Request Register 245	IR245	8	8	2 ICLK
0008 70F6h	ICU	Interrupt Request Register 246	IR246	8	8	2 ICLK
0008 70F7h	ICU	Interrupt Request Register 247	IR247	8	8	2 ICLK
0008 70F8h	ICU	Interrupt Request Register 248	IR248	8	8	2 ICLK
0008 70F9h	ICU	Interrupt Request Register 249	IR249	8	8	2 ICLK
0008 711Bh	ICU	DTC Activation Enable Register 027	DTCER027	8	8	2 ICLK
0008 711Ch	ICU	DTC Activation Enable Register 028	DTCER028	8	8	2 ICLK
0008 711Dh	ICU	DTC Activation Enable Register 029	DTCER029	8	8	2 ICLK
0008 711Eh	ICU	DTC Activation Enable Register 030	DTCER030	8	8	2 ICLK
0008 711Fh	ICU	DTC Activation Enable Register 031	DTCER031	8	8	2 ICLK
0008 7124h	ICU	DTC Activation Enable Register 036	DTCER036	8	8	2 ICLK
0008 7125h	ICU	DTC Activation Enable Register 037	DTCER037	8	8	2 ICLK
0008 712Dh	ICU	DTC Activation Enable Register 045	DTCER045	8	8	2 ICLK
0008 712Eh	ICU	DTC Activation Enable Register 046	DTCER046	8	8	2 ICLK
0008 713Ah	ICU	DTC Activation Enable Register 058	DTCER058	8	8	2 ICLK
0008 713Bh	ICU	DTC Activation Enable Register 059	DTCER059	8	8	2 ICLK
0008 713Ch	ICU	DTC Activation Enable Register 060	DTCER060	8	8	2 ICLK
0008 713Dh	ICU	DTC Activation Enable Register 061	DTCER061	8	8	2 ICLK
0008 7140h	ICU	DTC Activation Enable Register 064	DTCER064	8	8	2 ICLK
0008 7141h	ICU	DTC Activation Enable Register 065	DTCER065	8	8	2 ICLK
0008 7142h	ICU	DTC Activation Enable Register 066	DTCER066	8	8	2 ICLK
0008 7143h	ICU	DTC Activation Enable Register 067	DTCER067	8	8	2 ICLK
0008 7144h	ICU	DTC Activation Enable Register 068	DTCER068	8	8	2 ICLK
0008 7145h	ICU	DTC Activation Enable Register 069	DTCER069	8	8	2 ICLK
0008 7146h	ICU	DTC Activation Enable Register 070	DTCER070	8	8	2 ICLK
0008 7147h	ICU	DTC Activation Enable Register 071	DTCER071	8	8	2 ICLK
0008 7166h	ICU	DTC Activation Enable Register 102	DTCER102	8	8	2 ICLK
0008 7167h	ICU	DTC Activation Enable Register 103	DTCER103	8	8	2 ICLK
0008 716Ah	ICU	DTC Activation Enable Register 106	DTCER106	8	8	2 ICLK
0008 716Dh	ICU	DTC Activation Enable Register 109	DTCER109	8	8	2 ICLK
0008 716Eh	ICU	DTC Activation Enable Register 110	DTCER110	8	8	2 ICLK
0008 7172h	ICU	DTC Activation Enable Register 114	DTCER114	8	8	2 ICLK
0008 7173h	ICU	DTC Activation Enable Register 115	DTCER115	8	8	2 ICLK
0008 7174h	ICU	DTC Activation Enable Register 116	DTCER116	8	8	2 ICLK
0008 7175h	ICU	DTC Activation Enable Register 117	DTCER117	8	8	2 ICLK

Table 4.1 List of I/O Registers (Address Order) (5/24)

Address	Module Symbol	Register Name	Register Symbol	Number of Bits	Access Size	Number of Access States
0008 7179h	ICU	DTC Activation Enable Register 121	DTCER121	8	8	2 ICLK
0008 717Ah	ICU	DTC Activation Enable Register 122	DTCER122	8	8	2 ICLK
0008 717Dh	ICU	DTC Activation Enable Register 125	DTCER125	8	8	2 ICLK
0008 717Eh	ICU	DTC Activation Enable Register 126	DTCER126	8	8	2 ICLK
0008 7181h	ICU	DTC Activation Enable Register 129	DTCER129	8	8	2 ICLK
0008 7182h	ICU	DTC Activation Enable Register 130	DTCER130	8	8	2 ICLK
0008 7183h	ICU	DTC Activation Enable Register 131	DTCER131	8	8	2 ICLK
0008 7184h	ICU	DTC Activation Enable Register 132	DTCER132	8	8	2 ICLK
0008 7186h	ICU	DTC Activation Enable Register 134	DTCER134	8	8	2 ICLK
0008 7187h	ICU	DTC Activation Enable Register 135	DTCER135	8	8	2 ICLK
0008 7188h	ICU	DTC Activation Enable Register 136	DTCER136	8	8	2 ICLK
0008 7189h	ICU	DTC Activation Enable Register 137	DTCER137	8	8	2 ICLK
0008 718Ah	ICU	DTC Activation Enable Register 138	DTCER138	8	8	2 ICLK
0008 718Bh	ICU	DTC Activation Enable Register 139	DTCER139	8	8	2 ICLK
0008 718Ch	ICU	DTC Activation Enable Register 140	DTCER140	8	8	2 ICLK
0008 718Dh	ICU	DTC Activation Enable Register 141	DTCER141	8	8	2 ICLK
0008 71AEh	ICU	DTC Activation Enable Register 174	DTCER174	8	8	2 ICLK
0008 71AFh	ICU	DTC Activation Enable Register 175	DTCER175	8	8	2 ICLK
0008 71B1h	ICU	DTC Activation Enable Register 177	DTCER177	8	8	2 ICLK
0008 71B2h	ICU	DTC Activation Enable Register 178	DTCER178	8	8	2 ICLK
0008 71B4h	ICU	DTC Activation Enable Register 180	DTCER180	8	8	2 ICLK
0008 71B5h	ICU	DTC Activation Enable Register 181	DTCER181	8	8	2 ICLK
0008 71B7h	ICU	DTC Activation Enable Register 183	DTCER183	8	8	2 ICLK
0008 71B8h	ICU	DTC Activation Enable Register 184	DTCER184	8	8	2 ICLK
0008 71BBh	ICU	DTC Activation Enable Register 187	DTCER187	8	8	2 ICLK
0008 71BCh	ICU	DTC Activation Enable Register 188	DTCER188	8	8	2 ICLK
0008 71D7h	ICU	DTC Activation Enable Register 215	DTCER215	8	8	2 ICLK
0008 71D8h	ICU	DTC Activation Enable Register 216	DTCER216	8	8	2 ICLK
0008 71DBh	ICU	DTC Activation Enable Register 219	DTCER219	8	8	2 ICLK
0008 71DCh	ICU	DTC Activation Enable Register 220	DTCER220	8	8	2 ICLK
0008 71DFh	ICU	DTC Activation Enable Register 223	DTCER223	8	8	2 ICLK
0008 71E0h	ICU	DTC Activation Enable Register 224	DTCER224	8	8	2 ICLK
0008 71E3h	ICU	DTC Activation Enable Register 227	DTCER227	8	8	2 ICLK
0008 71E4h	ICU	DTC Activation Enable Register 228	DTCER228	8	8	2 ICLK
0008 71E7h	ICU	DTC Activation Enable Register 231	DTCER231	8	8	2 ICLK
0008 71E8h	ICU	DTC Activation Enable Register 232	DTCER232	8	8	2 ICLK
0008 71EBh	ICU	DTC Activation Enable Register 235	DTCER235	8	8	2 ICLK
0008 71ECh	ICU	DTC Activation Enable Register 236	DTCER236	8	8	2 ICLK
0008 71EFh	ICU	DTC Activation Enable Register 239	DTCER239	8	8	2 ICLK
0008 71F0h	ICU	DTC Activation Enable Register 240	DTCER240	8	8	2 ICLK
0008 71F7h	ICU	DTC Activation Enable Register 247	DTCER247	8	8	2 ICLK
0008 71F8h	ICU	DTC Activation Enable Register 248	DTCER248	8	8	2 ICLK
0008 7202h	ICU	Interrupt Request Enable Register 02	IER02	8	8	2 ICLK
0008 7203h	ICU	Interrupt Request Enable Register 03	IER03	8	8	2 ICLK
0008 7204h	ICU	Interrupt Request Enable Register 04	IER04	8	8	2 ICLK
0008 7205h	ICU	Interrupt Request Enable Register 05	IER05	8	8	2 ICLK
0008 7207h	ICU	Interrupt Request Enable Register 07	IER07	8	8	2 ICLK
0008 7208h	ICU	Interrupt Request Enable Register 08	IER08	8	8	2 ICLK
0008 720Bh	ICU	Interrupt Request Enable Register 0B	IER0B	8	8	2 ICLK
0008 720Ch	ICU	Interrupt Request Enable Register 0C	IER0C	8	8	2 ICLK
0008 720Dh	ICU	Interrupt Request Enable Register 0D	IER0D	8	8	2 ICLK
0008 720Eh	ICU	Interrupt Request Enable Register 0E	IER0E	8	8	2 ICLK

Table 4.1 List of I/O Registers (Address Order) (6/24)

Address	Module Symbol	Register Name	Register Symbol	Number of Bits	Access Size	Number of Access States
0008 720Fh	ICU	Interrupt Request Enable Register 0F	IER0F	8	8	2 ICLK
0008 7210h	ICU	Interrupt Request Enable Register 10	IER10	8	8	2 ICLK
0008 7211h	ICU	Interrupt Request Enable Register 11	IER11	8	8	2 ICLK
0008 7215h	ICU	Interrupt Request Enable Register 15	IER15	8	8	2 ICLK
0008 7216h	ICU	Interrupt Request Enable Register 16	IER16	8	8	2 ICLK
0008 7217h	ICU	Interrupt Request Enable Register 17	IER17	8	8	2 ICLK
0008 721Ah	ICU	Interrupt Request Enable Register 1A	IER1A	8	8	2 ICLK
0008 721Bh	ICU	Interrupt Request Enable Register 1B	IER1B	8	8	2 ICLK
0008 721Ch	ICU	Interrupt Request Enable Register 1C	IER1C	8	8	2 ICLK
0008 721Dh	ICU	Interrupt Request Enable Register 1D	IER1D	8	8	2 ICLK
0008 721Eh	ICU	Interrupt Request Enable Register 1E	IER1E	8	8	2 ICLK
0008 721Fh	ICU	Interrupt Request Enable Register 1F	IER1F	8	8	2 ICLK
0008 72E0h	ICU	Software Interrupt Activation Register	SWINTR	8	8	2 ICLK
0008 72F0h	ICU	Fast Interrupt Set Register	FIR	16	16	2 ICLK
0008 7300h	ICU	Interrupt Source Priority Register 000	IPR000	8	8	2 ICLK
0008 7303h	ICU	Interrupt Source Priority Register 003	IPR003	8	8	2 ICLK
0008 7304h	ICU	Interrupt Source Priority Register 004	IPR004	8	8	2 ICLK
0008 7305h	ICU	Interrupt Source Priority Register 005	IPR005	8	8	2 ICLK
0008 7306h	ICU	Interrupt Source Priority Register 006	IPR006	8	8	2 ICLK
0008 7307h	ICU	Interrupt Source Priority Register 007	IPR007	8	8	2 ICLK
0008 7320h	ICU	Interrupt Source Priority Register 032	IPR032	8	8	2 ICLK
0008 7321h	ICU	Interrupt Source Priority Register 033	IPR033	8	8	2 ICLK
0008 7322h	ICU	Interrupt Source Priority Register 034	IPR034	8	8	2 ICLK
0008 7324h	ICU	Interrupt Source Priority Register 036	IPR036	8	8	2 ICLK
0008 7325h	ICU	Interrupt Source Priority Register 037	IPR037	8	8	2 ICLK
0008 7326h	ICU	Interrupt Source Priority Register 038	IPR038	8	8	2 ICLK
0008 732Ch	ICU	Interrupt Source Priority Register 044	IPR044	8	8	2 ICLK
0008 7339h	ICU	Interrupt Source Priority Register 057	IPR057	8	8	2 ICLK
0008 733Ah	ICU	Interrupt Source Priority Register 058	IPR058	8	8	2 ICLK
0008 733Bh	ICU	Interrupt Source Priority Register 059	IPR059	8	8	2 ICLK
0008 733Ch	ICU	Interrupt Source Priority Register 060	IPR060	8	8	2 ICLK
0008 733Fh	ICU	Interrupt Source Priority Register 063	IPR063	8	8	2 ICLK
0008 7340h	ICU	Interrupt Source Priority Register 064	IPR064	8	8	2 ICLK
0008 7341h	ICU	Interrupt Source Priority Register 065	IPR065	8	8	2 ICLK
0008 7342h	ICU	Interrupt Source Priority Register 066	IPR066	8	8	2 ICLK
0008 7343h	ICU	Interrupt Source Priority Register 067	IPR067	8	8	2 ICLK
0008 7344h	ICU	Interrupt Source Priority Register 068	IPR068	8	8	2 ICLK
0008 7345h	ICU	Interrupt Source Priority Register 069	IPR069	8	8	2 ICLK
0008 7346h	ICU	Interrupt Source Priority Register 070	IPR070	8	8	2 ICLK
0008 7347h	ICU	Interrupt Source Priority Register 071	IPR071	8	8	2 ICLK
0008 7358h	ICU	Interrupt Source Priority Register 088	IPR088	8	8	2 ICLK
0008 7359h	ICU	Interrupt Source Priority Register 089	IPR089	8	8	2 ICLK
0008 735Ah	ICU	Interrupt Source Priority Register 090	IPR090	8	8	2 ICLK
0008 735Ch	ICU	Interrupt Source Priority Register 092	IPR092	8	8	2 ICLK
0008 735Dh	ICU	Interrupt Source Priority Register 093	IPR093	8	8	2 ICLK
0008 7366h	ICU	Interrupt Source Priority Register 102	IPR102	8	8	2 ICLK
0008 7367h	ICU	Interrupt Source Priority Register 103	IPR103	8	8	2 ICLK
0008 736Ah	ICU	Interrupt Source Priority Register 106	IPR106	8	8	2 ICLK
0008 736Ch	ICU	Interrupt Source Priority Register 108	IPR108	8	8	2 ICLK
0008 7372h	ICU	Interrupt Source Priority Register 114	IPR114	8	8	2 ICLK
0008 7376h	ICU	Interrupt Source Priority Register 118	IPR118	8	8	2 ICLK
0008 7379h	ICU	Interrupt Source Priority Register 121	IPR121	8	8	2 ICLK

Table 4.1 List of I/O Registers (Address Order) (7/24)

Address	Module Symbol	Register Name	Register Symbol	Number of Bits	Access Size	Number of Access States
0008 737Bh	ICU	Interrupt Source Priority Register 123	IPR123	8	8	2 ICLK
0008 737Dh	ICU	Interrupt Source Priority Register 125	IPR125	8	8	2 ICLK
0008 737Fh	ICU	Interrupt Source Priority Register 127	IPR127	8	8	2 ICLK
0008 7381h	ICU	Interrupt Source Priority Register 129	IPR129	8	8	2 ICLK
0008 7385h	ICU	Interrupt Source Priority Register 133	IPR133	8	8	2 ICLK
0008 7386h	ICU	Interrupt Source Priority Register 134	IPR134	8	8	2 ICLK
0008 738Ah	ICU	Interrupt Source Priority Register 138	IPR138	8	8	2 ICLK
0008 738Bh	ICU	Interrupt Source Priority Register 139	IPR139	8	8	2 ICLK
0008 73AAh	ICU	Interrupt Source Priority Register 170	IPR170	8	8	2 ICLK
0008 73ABh	ICU	Interrupt Source Priority Register 171	IPR171	8	8	2 ICLK
0008 73AEh	ICU	Interrupt Source Priority Register 174	IPR174	8	8	2 ICLK
0008 73B1h	ICU	Interrupt Source Priority Register 177	IPR177	8	8	2 ICLK
0008 73B4h	ICU	Interrupt Source Priority Register 180	IPR180	8	8	2 ICLK
0008 73B7h	ICU	Interrupt Source Priority Register 183	IPR183	8	8	2 ICLK
0008 73BAh	ICU	Interrupt Source Priority Register 186	IPR186	8	8	2 ICLK
0008 73D6h	ICU	Interrupt Source Priority Register 214	IPR214	8	8	2 ICLK
0008 73DAh	ICU	Interrupt Source Priority Register 218	IPR218	8	8	2 ICLK
0008 73DEh	ICU	Interrupt Source Priority Register 222	IPR222	8	8	2 ICLK
0008 73E2h	ICU	Interrupt Source Priority Register 226	IPR226	8	8	2 ICLK
0008 73E6h	ICU	Interrupt Source Priority Register 230	IPR230	8	8	2 ICLK
0008 73EAh	ICU	Interrupt Source Priority Register 234	IPR234	8	8	2 ICLK
0008 73EEh	ICU	Interrupt Source Priority Register 238	IPR238	8	8	2 ICLK
0008 73F2h	ICU	Interrupt Source Priority Register 242	IPR242	8	8	2 ICLK
0008 73F3h	ICU	Interrupt Source Priority Register 243	IPR243	8	8	2 ICLK
0008 73F4h	ICU	Interrupt Source Priority Register 244	IPR244	8	8	2 ICLK
0008 73F5h	ICU	Interrupt Source Priority Register 245	IPR245	8	8	2 ICLK
0008 73F6h	ICU	Interrupt Source Priority Register 246	IPR246	8	8	2 ICLK
0008 73F7h	ICU	Interrupt Source Priority Register 247	IPR247	8	8	2 ICLK
0008 73F8h	ICU	Interrupt Source Priority Register 248	IPR248	8	8	2 ICLK
0008 73F9h	ICU	Interrupt Source Priority Register 249	IPR249	8	8	2 ICLK
0008 7500h	ICU	IRQ Control Register 0	IRQCR0	8	8	2 ICLK
0008 7501h	ICU	IRQ Control Register 1	IRQCR1	8	8	2 ICLK
0008 7502h	ICU	IRQ Control Register 2	IRQCR2	8	8	2 ICLK
0008 7503h	ICU	IRQ Control Register 3	IRQCR3	8	8	2 ICLK
0008 7504h	ICU	IRQ Control Register 4	IRQCR4	8	8	2 ICLK
0008 7505h	ICU	IRQ Control Register 5	IRQCR5	8	8	2 ICLK
0008 7506h	ICU	IRQ Control Register 6	IRQCR6	8	8	2 ICLK
0008 7507h	ICU	IRQ Control Register 7	IRQCR7	8	8	2 ICLK
0008 7510h	ICU	IRQ Pin Digital Filter Enable Register 0	IRQFLTE0	8	8	2 ICLK
0008 7514h	ICU	IRQ Pin Digital Filter Setting Register 0	IRQFLTC0	16	16	2 ICLK
0008 7580h	ICU	Non-Maskable Interrupt Status Register	NMISR	8	8	2 ICLK
0008 7581h	ICU	Non-Maskable Interrupt Enable Register	NMIER	8	8	2 ICLK
0008 7582h	ICU	Non-Maskable Interrupt Status Clear Register	NMICLR	8	8	2 ICLK
0008 7583h	ICU	NMI Pin Interrupt Control Register	NMICR	8	8	2 ICLK
0008 7590h	ICU	NMI Pin Digital Filter Enable Register	NMIFLTE	8	8	2 ICLK
0008 7594h	ICU	NMI Pin Digital Filter Setting Register	NMIFLTC	8	8	2 ICLK
0008 8000h	CMT	Compare Match Timer Start Register 0	CMSTR0	16	16	2 or 3 PCLKB
0008 8002h	CMT0	Compare Match Timer Control Register	CMCR	16	16	2 or 3 PCLKB
0008 8004h	CMT0	Compare Match Counter	CMCNT	16	16	2 or 3 PCLKB
0008 8006h	CMT0	Compare Match Constant Register	CMCOR	16	16	2 or 3 PCLKB
0008 8008h	CMT1	Compare Match Timer Control Register	CMCR	16	16	2 or 3 PCLKB
0008 800Ah	CMT1	Compare Match Counter	CMCNT	16	16	2 or 3 PCLKB

Table 4.1 List of I/O Registers (Address Order) (8/24)

Address	Module Symbol	Register Name	Register Symbol	Number of Bits	Access Size	Number of Access States
0008 800Ch	CMT1	Compare Match Constant Register	CMCOR	16	16	2 or 3 PCLKB
0008 8010h	CMT	Compare Match Timer Start Register 1	CMSTR1	16	16	2 or 3 PCLKB
0008 8012h	CMT2	Compare Match Timer Control Register	CMCR	16	16	2 or 3 PCLKB
0008 8014h	CMT2	Compare Match Counter	CMCNT	16	16	2 or 3 PCLKB
0008 8016h	CMT2	Compare Match Constant Register	CMCOR	16	16	2 or 3 PCLKB
0008 8018h	CMT3	Compare Match Timer Control Register	CMCR	16	16	2 or 3 PCLKB
0008 801Ah	CMT3	Compare Match Counter	CMCNT	16	16	2 or 3 PCLKB
0008 801Ch	CMT3	Compare Match Constant Register	CMCOR	16	16	2 or 3 PCLKB
0008 8030h	IWDT	IWDT Refresh Register	IWDTRR	8	8	2 or 3 PCLKB
0008 8032h	IWDT	IWDT Control Register	IWDTCR	16	16	2 or 3 PCLKB
0008 8034h	IWDT	IWDT Status Register	IWDTSR	16	16	2 or 3 PCLKB
0008 8036h	IWDT	IWDT Reset Control Register	IWDTRCR	8	8	2 or 3 PCLKB
0008 8038h	IWDT	IWDT Count Stop Control Register	IWDTCSTPR	8	8	2 or 3 PCLKB
0008 8040h	DA	D/A Data Register 0	DADR0	16	16	2 or 3 PCLKB
0008 8042h	DA	D/A Data Register 1	DADR1	16	16	2 or 3 PCLKB
0008 8044h	DA	D/A Control Register	DACR	8	8	2 or 3 PCLKB
0008 8045h	DA	Data Register Format Select Register	DADPR	8	8	2 or 3 PCLKB
0008 8046h	DA	D/A A/D Synchronous Start Control Register	DAADSCR	8	8	2 or 3 PCLKB
0008 8047h	DA	D/A VREF Control Register	DAVREFCR	8	8	2 or 3 PCLKB
0008 8200h	TMR0	Timer Control Register	TCR	8	8	2 or 3 PCLKB
0008 8201h	TMR1	Timer Control Register	TCR	8	8	2 or 3 PCLKB
0008 8202h	TMR0	Timer Control/Status Register	TCSR	8	8	2 or 3 PCLKB
0008 8203h	TMR1	Timer Control/Status Register	TCSR	8	8	2 or 3 PCLKB
0008 8204h	TMR0	Time Constant Register A	TCORA	8	8	2 or 3 PCLKB
0008 8204h	TMR01	Time Constant Register A	TCORA	16	16	2 or 3 PCLKB
0008 8205h	TMR1	Time Constant Register A	TCORA	8	8	2 or 3 PCLKB
0008 8206h	TMR0	Time Constant Register B	TCORB	8	8	2 or 3 PCLKB
0008 8206h	TMR01	Time Constant Register B	TCORB	16	16	2 or 3 PCLKB
0008 8207h	TMR1	Time Constant Register B	TCORB	8	8	2 or 3 PCLKB
0008 8208h	TMR0	Timer Counter	TCNT	8	8	2 or 3 PCLKB
0008 8208h	TMR01	Timer Counter	TCNT	16	16	2 or 3 PCLKB
0008 8209h	TMR1	Timer Counter	TCNT	8	8	2 or 3 PCLKB
0008 820Ah	TMR0	Timer Counter Control Register	TCCR	8	8	2 or 3 PCLKB
0008 820Ah	TMR01	Timer Counter Control Register	TCCR	16	16	2 or 3 PCLKB
0008 820Bh	TMR1	Timer Counter Control Register	TCCR	8	8	2 or 3 PCLKB
0008 820Ch	TMR0	Timer Counter Start Register	TCSTR	8	8	2 or 3 PCLKB
0008 8210h	TMR2	Timer Control Register	TCR	8	8	2 or 3 PCLKB
0008 8211h	TMR3	Timer Control Register	TCR	8	8	2 or 3 PCLKB
0008 8212h	TMR2	Timer Control/Status Register	TCSR	8	8	2 or 3 PCLKB
0008 8213h	TMR3	Timer Control/Status Register	TCSR	8	8	2 or 3 PCLKB
0008 8214h	TMR2	Time Constant Register A	TCORA	8	8	2 or 3 PCLKB
0008 8214h	TMR23	Time Constant Register A	TCORA	16	16	2 or 3 PCLKB
0008 8215h	TMR3	Time Constant Register A	TCORA	8	8	2 or 3 PCLKB
0008 8216h	TMR2	Time Constant Register B	TCORB	8	8	2 or 3 PCLKB
0008 8216h	TMR23	Time Constant Register B	TCORB	16	16	2 or 3 PCLKB
0008 8217h	TMR3	Time Constant Register B	TCORB	8	8	2 or 3 PCLKB
0008 8218h	TMR2	Timer Counter	TCNT	8	8	2 or 3 PCLKB
0008 8218h	TMR23	Timer Counter	TCNT	16	16	2 or 3 PCLKB
0008 8219h	TMR3	Timer Counter	TCNT	8	8	2 or 3 PCLKB
0008 821Ah	TMR2	Timer Counter Control Register	TCCR	8	8	2 or 3 PCLKB
0008 821Ah	TMR23	Timer Counter Control Register	TCCR	16	16	2 or 3 PCLKB
0008 821Bh	TMR3	Timer Counter Control Register	TCCR	8	8	2 or 3 PCLKB

Table 4.1 List of I/O Registers (Address Order) (9/24)

Address	Module Symbol	Register Name	Register Symbol	Number of Bits	Access Size	Number of Access States
0008 821Ch	TMR2	Timer Counter Start Register	TCSTR	8	8	2 or 3 PCLKB
0008 8280h	CRC	CRC Control Register	CRCCR	8	8	2 or 3 PCLKB
0008 8281h	CRC	CRC Data Input Register	CRCDIR	8	8	2 or 3 PCLKB
0008 8282h	CRC	CRC Data Output Register	CRCDOR	16	16	2 or 3 PCLKB
0008 8300h	RIIC0	I ² C-bus Control Register 1	ICCR1	8	8	2 or 3 PCLKB
0008 8301h	RIIC0	I ² C-bus Control Register 2	ICCR2	8	8	2 or 3 PCLKB
0008 8302h	RIIC0	I ² C-bus Mode Register 1	ICMR1	8	8	2 or 3 PCLKB
0008 8303h	RIIC0	I ² C-bus Mode Register 2	ICMR2	8	8	2 or 3 PCLKB
0008 8304h	RIIC0	I ² C-bus Mode Register 3	ICMR3	8	8	2 or 3 PCLKB
0008 8305h	RIIC0	I ² C-bus Function Enable Register	ICFER	8	8	2 or 3 PCLKB
0008 8306h	RIIC0	I ² C-bus Status Enable Register	ICSER	8	8	2 or 3 PCLKB
0008 8307h	RIIC0	I ² C-bus Interrupt Enable Register	ICIER	8	8	2 or 3 PCLKB
0008 8308h	RIIC0	I ² C-bus Status Register 1	ICSR1	8	8	2 or 3 PCLKB
0008 8309h	RIIC0	I ² C-bus Status Register 2	ICSR2	8	8	2 or 3 PCLKB
0008 830Ah	RIIC0	Slave Address Register L0	SARL0	8	8	2 or 3 PCLKB
0008 830Ah	RIIC0	Timeout Internal Counter L	TMCNTL	8	8	2 or 3 PCLKB
0008 830Bh	RIIC0	Slave Address Register U0	SARU0	8	8	2 or 3 PCLKB
0008 830Bh	RIIC0	Timeout Internal Counter U	TMCNTU	8	8 *1	2 or 3 PCLKB
0008 830Ch	RIIC0	Slave Address Register L1	SARL1	8	8	2 or 3 PCLKB
0008 830Dh	RIIC0	Slave Address Register U1	SARU1	8	8	2 or 3 PCLKB
0008 830Eh	RIIC0	Slave Address Register L2	SARL2	8	8	2 or 3 PCLKB
0008 830Fh	RIIC0	Slave Address Register U2	SARU2	8	8	2 or 3 PCLKB
0008 8310h	RIIC0	I ² C-bus Bit Rate Low-Level Register	ICBRL	8	8	2 or 3 PCLKB
0008 8311h	RIIC0	I ² C-bus Bit Rate High-Level Register	ICBRH	8	8	2 or 3 PCLKB
0008 8312h	RIIC0	I ² C-bus Transmit Data Register	ICDRT	8	8	2 or 3 PCLKB
0008 8313h	RIIC0	I ² C-bus Receive Data Register	ICDRR	8	8	2 or 3 PCLKB
0008 8380h	RSPI0	RSPI Control Register	SPCR	8	8	2 or 3 PCLKB
0008 8381h	RSPI0	RSPI Slave Select Polarity Register	SSLP	8	8	2 or 3 PCLKB
0008 8382h	RSPI0	RSPI Pin Control Register	SPPCR	8	8	2 or 3 PCLKB
0008 8383h	RSPI0	RSPI Status Register	SPSR	8	8	2 or 3 PCLKB
0008 8384h	RSPI0	RSPI Data Register	SPDR	32	16, 32	2 or 3 PCLKB/2ICLK
0008 8388h	RSPI0	RSPI Sequence Control Register	SPSCR	8	8	2 or 3 PCLKB
0008 8389h	RSPI0	RSPI Sequence Status Register	SPSSR	8	8	2 or 3 PCLKB
0008 838Ah	RSPI0	RSPI Bit Rate Register	SPBR	8	8	2 or 3 PCLKB
0008 838Bh	RSPI0	RSPI Data Control Register	SPDCR	8	8	2 or 3 PCLKB
0008 838Ch	RSPI0	RSPI Clock Delay Register	SPCKD	8	8	2 or 3 PCLKB
0008 838Dh	RSPI0	RSPI Slave Select Negation Delay Register	SSLND	8	8	2 or 3 PCLKB
0008 838Eh	RSPI0	RSPI Next-Access Delay Register	SPND	8	8	2 or 3 PCLKB
0008 838Fh	RSPI0	RSPI Control Register 2	SPCR2	8	8	2 or 3 PCLKB
0008 8390h	RSPI0	RSPI Command Register 0	SPCMD0	16	16	2 or 3 PCLKB
0008 8392h	RSPI0	RSPI Command Register 1	SPCMD1	16	16	2 or 3 PCLKB
0008 8394h	RSPI0	RSPI Command Register 2	SPCMD2	16	16	2 or 3 PCLKB
0008 8396h	RSPI0	RSPI Command Register 3	SPCMD3	16	16	2 or 3 PCLKB
0008 8398h	RSPI0	RSPI Command Register 4	SPCMD4	16	16	2 or 3 PCLKB
0008 839Ah	RSPI0	RSPI Command Register 5	SPCMD5	16	16	2 or 3 PCLKB
0008 839Ch	RSPI0	RSPI Command Register 6	SPCMD6	16	16	2 or 3 PCLKB
0008 839Eh	RSPI0	RSPI Command Register 7	SPCMD7	16	16	2 or 3 PCLKB
0008 8410h	IRDA	IrDA Control Register	IRCR	8	8	2 or 3 PCLKB
0008 8600h	MTU3	Timer Control Register	TCR	8	8	2 or 3 PCLKB
0008 8601h	MTU4	Timer Control Register	TCR	8	8	2 or 3 PCLKB
0008 8602h	MTU3	Timer Mode Register	TMDR	8	8	2 or 3 PCLKB
0008 8603h	MTU4	Timer Mode Register	TMDR	8	8	2 or 3 PCLKB

Table 4.1 List of I/O Registers (Address Order) (10/24)

Address	Module Symbol	Register Name	Register Symbol	Number of Bits	Access Size	Number of Access States
0008 8604h	MTU3	Timer I/O Control Register H	TIORH	8	8	2 or 3 PCLKB
0008 8605h	MTU3	Timer I/O Control Register L	TIORL	8	8	2 or 3 PCLKB
0008 8606h	MTU4	Timer I/O Control Register H	TIORH	8	8	2 or 3 PCLKB
0008 8607h	MTU4	Timer I/O Control Register L	TIORL	8	8	2 or 3 PCLKB
0008 8608h	MTU3	Timer Interrupt Enable Register	TIER	8	8	2 or 3 PCLKB
0008 8609h	MTU4	Timer Interrupt Enable Register	TIER	8	8	2 or 3 PCLKB
0008 860Ah	MTU	Timer Output Master Enable Register	TOER	8	8	2 or 3 PCLKB
0008 860Dh	MTU	Timer Gate Control Register	TGCR	8	8	2 or 3 PCLKB
0008 860Eh	MTU	Timer Output Control Register 1	TOCR1	8	8	2 or 3 PCLKB
0008 860Fh	MTU	Timer Output Control Register 2	TOCR2	8	8	2 or 3 PCLKB
0008 8610h	MTU3	Timer Counter	TCNT	16	16	2 or 3 PCLKB
0008 8612h	MTU4	Timer Counter	TCNT	16	16	2 or 3 PCLKB
0008 8614h	MTU	Timer Cycle Data Register	TCDR	16	16	2 or 3 PCLKB
0008 8616h	MTU	Timer Dead Time Data Register	TDDR	16	16	2 or 3 PCLKB
0008 8618h	MTU3	Timer General Register A	TGRA	16	16	2 or 3 PCLKB
0008 861Ah	MTU3	Timer General Register B	TGRB	16	16	2 or 3 PCLKB
0008 861Ch	MTU4	Timer General Register A	TGRA	16	16	2 or 3 PCLKB
0008 861Eh	MTU4	Timer General Register B	TGRB	16	16	2 or 3 PCLKB
0008 8620h	MTU	Timer Subcounter	TCNTS	16	16	2 or 3 PCLKB
0008 8622h	MTU	Timer Cycle Buffer Register	TGBR	16	16	2 or 3 PCLKB
0008 8624h	MTU3	Timer General Register C	TGRC	16	16	2 or 3 PCLKB
0008 8626h	MTU3	Timer General Register D	TGRD	16	16	2 or 3 PCLKB
0008 8628h	MTU4	Timer General Register C	TGRC	16	16	2 or 3 PCLKB
0008 862Ah	MTU4	Timer General Register D	TGRD	16	16	2 or 3 PCLKB
0008 862Ch	MTU3	Timer Status Register	TSR	8	8	2 or 3 PCLKB
0008 862Dh	MTU4	Timer Status Register	TSR	8	8	2 or 3 PCLKB
0008 8630h	MTU	Timer Interrupt Skipping Set Register	TITCR	8	8	2 or 3 PCLKB
0008 8631h	MTU	Timer Interrupt Skipping Counter	TITCNT	8	8	2 or 3 PCLKB
0008 8632h	MTU	Timer Buffer Transfer Set Register	TBTER	8	8	2 or 3 PCLKB
0008 8634h	MTU	Timer Dead Time Enable Register	TDER	8	8	2 or 3 PCLKB
0008 8636h	MTU	Timer Output Level Buffer Register	TOLBR	8	8	2 or 3 PCLKB
0008 8638h	MTU3	Timer Buffer Operation Transfer Mode Register	TBTM	8	8	2 or 3 PCLKB
0008 8639h	MTU4	Timer Buffer Operation Transfer Mode Register	TBTM	8	8	2 or 3 PCLKB
0008 8640h	MTU4	Timer A/D Converter Start Request Control Register	TADCR	16	16	2 or 3 PCLKB
0008 8644h	MTU4	Timer A/D Converter Start Request Cycle Set Register A	TADCORA	16	16	2 or 3 PCLKB
0008 8646h	MTU4	Timer A/D Converter Start Request Cycle Set Register B	TADCORB	16	16	2 or 3 PCLKB
0008 8648h	MTU4	Timer A/D Converter Start Request Cycle Set Buffer Register A	TADCOBRA	16	16	2 or 3 PCLKB
0008 864Ah	MTU4	Timer A/D Converter Start Request Cycle Set Buffer Register B	TADCOBRB	16	16	2 or 3 PCLKB
0008 8660h	MTU	Timer Waveform Control Register	TWCR	8	8, 16	2 or 3 PCLKB
0008 8680h	MTU	Timer Start Register	TSTR	8	8, 16	2 or 3 PCLKB
0008 8681h	MTU	Timer Synchronous Register	TSYR	8	8, 16	2 or 3 PCLKB
0008 8684h	MTU	Timer Read/Write Enable Register	TRWER	8	8, 16	2 or 3 PCLKB
0008 8690h	MTU0	Noise Filter Control Register	NFCR	8	8, 16	2 or 3 PCLKB
0008 8691h	MTU1	Noise Filter Control Register	NFCR	8	8, 16	2 or 3 PCLKB
0008 8692h	MTU2	Noise Filter Control Register	NFCR	8	8, 16	2 or 3 PCLKB
0008 8693h	MTU3	Noise Filter Control Register	NFCR	8	8, 16	2 or 3 PCLKB
0008 8694h	MTU4	Noise Filter Control Register	NFCR	8	8, 16	2 or 3 PCLKB
0008 8695h	MTU5	Noise Filter Control Register	NFCR	8	8, 16	2 or 3 PCLKB
0008 8700h	MTU0	Timer Control Register	TCR	8	8	2 or 3 PCLKB
0008 8701h	MTU0	Timer Mode Register	TMDR	8	8	2 or 3 PCLKB
0008 8702h	MTU0	Timer I/O Control Register H	TIORH	8	8	2 or 3 PCLKB
0008 8703h	MTU0	Timer I/O Control Register L	TIORL	8	8	2 or 3 PCLKB

Table 4.1 List of I/O Registers (Address Order) (11/24)

Address	Module Symbol	Register Name	Register Symbol	Number of Bits	Access Size	Number of Access States
0008 8704h	MTU0	Timer Interrupt Enable Register	TIER	8	8	2 or 3 PCLKB
0008 8705h	MTU0	Timer Status Register	TSR	8	8	2 or 3 PCLKB
0008 8706h	MTU0	Timer Counter	TCNT	16	16	2 or 3 PCLKB
0008 8708h	MTU0	Timer General Register A	TGRA	16	16	2 or 3 PCLKB
0008 870Ah	MTU0	Timer General Register B	TGRB	16	16	2 or 3 PCLKB
0008 870Ch	MTU0	Timer General Register C	TGRC	16	16	2 or 3 PCLKB
0008 870Eh	MTU0	Timer General Register D	TGRD	16	16	2 or 3 PCLKB
0008 8720h	MTU0	Timer General Register E	TGRE	16	16	2 or 3 PCLKB
0008 8722h	MTU0	Timer General Register F	TGRF	16	16	2 or 3 PCLKB
0008 8724h	MTU0	Timer Interrupt Enable Register 2	TIER2	8	8	2 or 3 PCLKB
0008 8726h	MTU0	Timer Buffer Operation Transfer Mode Register	TBTM	8	8	2 or 3 PCLKB
0008 8780h	MTU1	Timer Control Register	TCR	8	8	2 or 3 PCLKB
0008 8781h	MTU1	Timer Mode Register	TMDR	8	8	2 or 3 PCLKB
0008 8782h	MTU1	Timer I/O Control Register	TIOR	8	8	2 or 3 PCLKB
0008 8784h	MTU1	Timer Interrupt Enable Register	TIER	8	8	2 or 3 PCLKB
0008 8785h	MTU1	Timer Status Register	TSR	8	8	2 or 3 PCLKB
0008 8786h	MTU1	Timer Counter	TCNT	16	16	2 or 3 PCLKB
0008 8788h	MTU1	Timer General Register A	TGRA	16	16	2 or 3 PCLKB
0008 878Ah	MTU1	Timer General Register B	TGRB	16	16	2 or 3 PCLKB
0008 8790h	MTU1	Timer Input Capture Control Register	TICCR	8	8	2 or 3 PCLKB
0008 8800h	MTU2	Timer Control Register	TCR	8	8	2 or 3 PCLKB
0008 8801h	MTU2	Timer Mode Register	TMDR	8	8	2 or 3 PCLKB
0008 8802h	MTU2	Timer I/O Control Register	TIOR	8	8	2 or 3 PCLKB
0008 8804h	MTU2	Timer Interrupt Enable Register	TIER	8	8	2 or 3 PCLKB
0008 8805h	MTU2	Timer Status Register	TSR	8	8	2 or 3 PCLKB
0008 8806h	MTU2	Timer Counter	TCNT	16	16	2 or 3 PCLKB
0008 8808h	MTU2	Timer General Register A	TGRA	16	16	2 or 3 PCLKB
0008 880Ah	MTU2	Timer General Register B	TGRB	16	16	2 or 3 PCLKB
0008 8880h	MTU5	Timer Counter U	TCNTU	16	16	2 or 3 PCLKB
0008 8882h	MTU5	Timer General Register U	TGRU	16	16	2 or 3 PCLKB
0008 8884h	MTU5	Timer Control Register U	TCRU	8	8	2 or 3 PCLKB
0008 8886h	MTU5	Timer I/O Control Register U	TIORU	8	8	2 or 3 PCLKB
0008 8890h	MTU5	Timer Counter V	TCNTV	16	16	2 or 3 PCLKB
0008 8892h	MTU5	Timer General Register V	TGRV	16	16	2 or 3 PCLKB
0008 8894h	MTU5	Timer Control Register V	TCRV	8	8	2 or 3 PCLKB
0008 8896h	MTU5	Timer I/O Control Register V	TIORV	8	8	2 or 3 PCLKB
0008 88A0h	MTU5	Timer Counter W	TCNTW	16	16	2 or 3 PCLKB
0008 88A2h	MTU5	Timer General Register W	TGRW	16	16	2 or 3 PCLKB
0008 88A4h	MTU5	Timer Control Register W	TCRW	8	8	2 or 3 PCLKB
0008 88A6h	MTU5	Timer I/O Control Register W	TIORW	8	8	2 or 3 PCLKB
0008 88B2h	MTU5	Timer Interrupt Enable Register	TIER	8	8	2 or 3 PCLKB
0008 88B4h	MTU5	Timer Start Register	TSTR	8	8	2 or 3 PCLKB
0008 88B6h	MTU5	Timer Compare Match Clear Register	TCNTCMPCLR	8	8	2 or 3 PCLKB
0008 8900h	POE	Input Level Control/Status Register 1	ICSR1	16	8, 16	2 or 3 PCLKB
0008 8902h	POE	Output Level Control/Status Register 1	OCSR1	16	8, 16	2 or 3 PCLKB
0008 8908h	POE	Input Level Control/Status Register 2	ICSR2	16	8, 16	2 or 3 PCLKB
0008 890Ah	POE	Software Port Output Enable Register	SPOER	8	8	2 or 3 PCLKB
0008 890Bh	POE	Port Output Enable Control Register 1	POECR1	8	8	2 or 3 PCLKB
0008 890Ch	POE	Port Output Enable Control Register 2	POECR2	8	8	2 or 3 PCLKB
0008 890Eh	POE	Input Level Control/Status Register 3	ICSR3	16	8, 16	2 or 3 PCLKB
0008 9000h	S12AD	A/D Control Register	ADCSR	16	16	2 or 3 PCLKB
0008 9004h	S12AD	A/D Channel Select Register A	ADANSA	16	16	2 or 3 PCLKB

Table 4.1 List of I/O Registers (Address Order) (12/24)

Address	Module Symbol	Register Name	Register Symbol	Number of Bits	Access Size	Number of Access States
0008 9006h	S12AD	A/D Channel Select Register A1	ADANSA1	16	16	2 or 3 PCLKB
0008 9008h	S12AD	A/D-Converted Value Addition Mode Select Register	ADADS	16	16	2 or 3 PCLKB
0008 900Ah	S12AD	A/D Converted Value Addition Mode Select Register 1	ADADS1	16	16	2 or 3 PCLKB
0008 900Ch	S12AD	A/D-Converted Value Addition Count Select Register	ADADC	8	8	2 or 3 PCLKB
0008 900Eh	S12AD	A/D Control Extended Register	ADCER	16	16	2 or 3 PCLKB
0008 9010h	S12AD	A/D Start Trigger Select Register	ADSTRGR	16	16	2 or 3 PCLKB
0008 9012h	S12AD	A/D Converted Extended Input Control Register	ADEXICR	16	16	2 or 3 PCLKB
0008 9014h	S12AD	A/D Channel Select Register B	ADANSB	16	16	2 or 3 PCLKB
0008 9016h	S12AD	A/D Channel Select Register B1	ADANSB1	16	16	2 or 3 PCLKB
0008 9018h	S12AD	A/D Data Duplication Register	ADDBLDR	16	16	2 or 3 PCLKB
0008 901Ah	S12AD	A/D Temperature Sensor Data Register	ADTSDR	16	16	2 or 3 PCLKB
0008 901Ch	S12AD	A/D Internal Reference Voltage Data Register	ADOCDR	16	16	2 or 3 PCLKB
0008 9020h	S12AD	A/D Data Register 0	ADDR0	16	16	2 or 3 PCLKB
0008 9022h	S12AD	A/D Data Register 1	ADDR1	16	16	2 or 3 PCLKB
0008 9024h	S12AD	A/D Data Register 2	ADDR2	16	16	2 or 3 PCLKB
0008 9026h	S12AD	A/D Data Register 3	ADDR3	16	16	2 or 3 PCLKB
0008 9028h	S12AD	A/D Data Register 4	ADDR4	16	16	2 or 3 PCLKB
0008 902Ah	S12AD	A/D Data Register 5	ADDR5	16	16	2 or 3 PCLKB
0008 902Ch	S12AD	A/D Data Register 6	ADDR6	16	16	2 or 3 PCLKB
0008 902Eh	S12AD	A/D Data Register 7	ADDR7	16	16	2 or 3 PCLKB
0008 9030h	S12AD	A/D Data Register 8	ADDR8	16	16	2 or 3 PCLKB
0008 9032h	S12AD	A/D Data Register 9	ADDR9	16	16	2 or 3 PCLKB
0008 9034h	S12AD	A/D Data Register 10	ADDR10	16	16	2 or 3 PCLKB
0008 9036h	S12AD	A/D Data Register 11	ADDR11	16	16	2 or 3 PCLKB
0008 9038h	S12AD	A/D Data Register 12	ADDR12	16	16	2 or 3 PCLKB
0008 903Ah	S12AD	A/D Data Register 13	ADDR13	16	16	2 or 3 PCLKB
0008 903Ch	S12AD	A/D Data Register 14	ADDR14	16	16	2 or 3 PCLKB
0008 903Eh	S12AD	A/D Data Register 15	ADDR15	16	16	2 or 3 PCLKB
0008 904Ah	S12AD	A/D Data Register 21	ADDR21	16	16	2 or 3 PCLKB
0008 9060h	S12AD	A/D Sampling State Register 0	ADSSTR0	8	8	2 or 3 PCLKB
0008 9061h	S12AD	A/D Sampling State Register L	ADSSTRL	8	8	2 or 3 PCLKB
0008 9070h	S12AD	A/D Sampling State Register T	ADSSTRT	8	8	2 or 3 PCLKB
0008 9071h	S12AD	A/D Sampling State Register O	ADSSTRO	8	8	2 or 3 PCLKB
0008 9073h	S12AD	A/D Sampling State Register 1	ADSSTR1	8	8	2 or 3 PCLKB
0008 9074h	S12AD	A/D Sampling State Register 2	ADSSTR2	8	8	2 or 3 PCLKB
0008 9075h	S12AD	A/D Sampling State Register 3	ADSSTR3	8	8	2 or 3 PCLKB
0008 9076h	S12AD	A/D Sampling State Register 4	ADSSTR4	8	8	2 or 3 PCLKB
0008 9077h	S12AD	A/D Sampling State Register 5	ADSSTR5	8	8	2 or 3 PCLKB
0008 9078h	S12AD	A/D Sampling State Register 6	ADSSTR6	8	8	2 or 3 PCLKB
0008 9079h	S12AD	A/D Sampling State Register 7	ADSSTR7	8	8	2 or 3 PCLKB
0008 907Ch	S12AD	A/D High-Side Reference Voltage Control Register	ADHVREFCNT	8	8	2 or 3 PCLKB
0008 9080h	S12AD	A/D Sampling State Register 21	ADSSTR21	8	8	2 or 3 PCLKB
0008 A000h	SCI0	Serial Mode Register	SMR	8	8	2 or 3 PCLKB
0008 A000h	SMCI0	Serial Mode Register	SMR	8	8	2 or 3 PCLKB
0008 A001h	SCI0	Bit Rate Register	BRR	8	8	2 or 3 PCLKB
0008 A002h	SCI0	Serial Control Register	SCR	8	8	2 or 3 PCLKB
0008 A002h	SMCI0	Serial Control Register	SCR	8	8	2 or 3 PCLKB
0008 A003h	SCI0	Transmit Data Register	TDR	8	8	2 or 3 PCLKB
0008 A004h	SCI0	Serial Status Register	SSR	8	8	2 or 3 PCLKB
0008 A004h	SMCI0	Serial Status Register	SSR	8	8	2 or 3 PCLKB
0008 A005h	SCI0	Receive Data Register	RDR	8	8	2 or 3 PCLKB
0008 A006h	SCI0	Smart Card Mode Register	SCMR	8	8	2 or 3 PCLKB

Table 4.1 List of I/O Registers (Address Order) (13/24)

Address	Module Symbol	Register Name	Register Symbol	Number of Bits	Access Size	Number of Access States
0008 A006h	SMCI0	Smart Card Mode Register	SCMR	8	8	2 or 3 PCLKB
0008 A007h	SCI0	Serial Extended Mode Register	SEMR	8	8	2 or 3 PCLKB
0008 A008h	SCI0	Noise Filter Setting Register	SNFR	8	8	2 or 3 PCLKB
0008 A009h	SCI0	I ² C Mode Register 1	SIMR1	8	8	2 or 3 PCLKB
0008 A00Ah	SCI0	I ² C Mode Register 2	SIMR2	8	8	2 or 3 PCLKB
0008 A00Bh	SCI0	I ² C Mode Register 3	SIMR3	8	8	2 or 3 PCLKB
0008 A00Ch	SCI0	I ² C Status Register	SISR	8	8	2 or 3 PCLKB
0008 A00Dh	SCI0	SPI Mode Register	SPMR	8	8	2 or 3 PCLKB
0008 A020h	SCI1	Serial Mode Register	SMR	8	8	2 or 3 PCLKB
0008 A020h	SMCI1	Serial Mode Register	SMR	8	8	2 or 3 PCLKB
0008 A021h	SCI1	Bit Rate Register	BRR	8	8	2 or 3 PCLKB
0008 A022h	SCI1	Serial Control Register	SCR	8	8	2 or 3 PCLKB
0008 A022h	SMCI1	Serial Control Register	SCR	8	8	2 or 3 PCLKB
0008 A023h	SCI1	Transmit Data Register	TDR	8	8	2 or 3 PCLKB
0008 A024h	SCI1	Serial Status Register	SSR	8	8	2 or 3 PCLKB
0008 A024h	SMCI1	Serial Status Register	SSR	8	8	2 or 3 PCLKB
0008 A025h	SCI1	Receive Data Register	RDR	8	8	2 or 3 PCLKB
0008 A026h	SCI1	Smart Card Mode Register	SCMR	8	8	2 or 3 PCLKB
0008 A026h	SMCI1	Smart Card Mode Register	SCMR	8	8	2 or 3 PCLKB
0008 A027h	SCI1	Serial Extended Mode Register	SEMR	8	8	2 or 3 PCLKB
0008 A028h	SCI1	Noise Filter Setting Register	SNFR	8	8	2 or 3 PCLKB
0008 A029h	SCI1	I ² C Mode Register 1	SIMR1	8	8	2 or 3 PCLKB
0008 A02Ah	SCI1	I ² C Mode Register 2	SIMR2	8	8	2 or 3 PCLKB
0008 A02Bh	SCI1	I ² C Mode Register 3	SIMR3	8	8	2 or 3 PCLKB
0008 A02Ch	SCI1	I ² C Status Register	SISR	8	8	2 or 3 PCLKB
0008 A02Dh	SCI1	SPI Mode Register	SPMR	8	8	2 or 3 PCLKB
0008 A040h	SCI2	Serial Mode Register	SMR	8	8	2 or 3 PCLKB
0008 A040h	SMCI2	Serial Mode Register	SMR	8	8	2 or 3 PCLKB
0008 A041h	SCI2	Bit Rate Register	BRR	8	8	2 or 3 PCLKB
0008 A042h	SCI2	Serial Control Register	SCR	8	8	2 or 3 PCLKB
0008 A042h	SMCI2	Serial Control Register	SCR	8	8	2 or 3 PCLKB
0008 A043h	SCI2	Transmit Data Register	TDR	8	8	2 or 3 PCLKB
0008 A044h	SCI2	Serial Status Register	SSR	8	8	2 or 3 PCLKB
0008 A044h	SMCI2	Serial Status Register	SSR	8	8	2 or 3 PCLKB
0008 A045h	SCI2	Receive Data Register	RDR	8	8	2 or 3 PCLKB
0008 A046h	SCI2	Smart Card Mode Register	SCMR	8	8	2 or 3 PCLKB
0008 A046h	SMCI2	Smart Card Mode Register	SCMR	8	8	2 or 3 PCLKB
0008 A047h	SCI2	Serial Extended Mode Register	SEMR	8	8	2 or 3 PCLKB
0008 A048h	SCI2	Noise Filter Setting Register	SNFR	8	8	2 or 3 PCLKB
0008 A049h	SCI2	I ² C Mode Register 1	SIMR1	8	8	2 or 3 PCLKB
0008 A04Ah	SCI2	I ² C Mode Register 2	SIMR2	8	8	2 or 3 PCLKB
0008 A04Bh	SCI2	I ² C Mode Register 3	SIMR3	8	8	2 or 3 PCLKB
0008 A04Ch	SCI2	I ² C Status Register	SISR	8	8	2 or 3 PCLKB
0008 A04Dh	SCI2	SPI Mode Register	SPMR	8	8	2 or 3 PCLKB
0008 A0A0h	SCI5	Serial Mode Register	SMR	8	8	2 or 3 PCLKB
0008 A0A0h	SMCI5	Serial Mode Register	SMR	8	8	2 or 3 PCLKB
0008 A0A1h	SCI5	Bit Rate Register	BRR	8	8	2 or 3 PCLKB
0008 A0A2h	SCI5	Serial Control Register	SCR	8	8	2 or 3 PCLKB
0008 A0A2h	SMCI5	Serial Control Register	SCR	8	8	2 or 3 PCLKB
0008 A0A3h	SCI5	Transmit Data Register	TDR	8	8	2 or 3 PCLKB
0008 A0A4h	SCI5	Serial Status Register	SSR	8	8	2 or 3 PCLKB
0008 A0A4h	SMCI5	Serial Status Register	SSR	8	8	2 or 3 PCLKB

Table 4.1 List of I/O Registers (Address Order) (14/24)

Address	Module Symbol	Register Name	Register Symbol	Number of Bits	Access Size	Number of Access States
0008 A0A5h	SCI5	Receive Data Register	RDR	8	8	2 or 3 PCLKB
0008 A0A6h	SCI5	Smart Card Mode Register	SCMR	8	8	2 or 3 PCLKB
0008 A0A6h	SMCI5	Smart Card Mode Register	SCMR	8	8	2 or 3 PCLKB
0008 A0A7h	SCI5	Serial Extended Mode Register	SEMR	8	8	2 or 3 PCLKB
0008 A0A8h	SCI5	Noise Filter Setting Register	SNFR	8	8	2 or 3 PCLKB
0008 A0A9h	SCI5	I ² C Mode Register 1	SIMR1	8	8	2 or 3 PCLKB
0008 A0AAh	SCI5	I ² C Mode Register 2	SIMR2	8	8	2 or 3 PCLKB
0008 A0ABh	SCI5	I ² C Mode Register 3	SIMR3	8	8	2 or 3 PCLKB
0008 A0ACh	SCI5	I ² C Status Register	SISR	8	8	2 or 3 PCLKB
0008 A0ADh	SCI5	SPI Mode Register	SPMR	8	8	2 or 3 PCLKB
0008 A0C0h	SCI6	Serial Mode Register	SMR	8	8	2 or 3 PCLKB
0008 A0C0h	SMCI6	Serial Mode Register	SMR	8	8	2 or 3 PCLKB
0008 A0C1h	SCI6	Bit Rate Register	BRR	8	8	2 or 3 PCLKB
0008 A0C2h	SCI6	Serial Control Register	SCR	8	8	2 or 3 PCLKB
0008 A0C2h	SMCI6	Serial Control Register	SCR	8	8	2 or 3 PCLKB
0008 A0C3h	SCI6	Transmit Data Register	TDR	8	8	2 or 3 PCLKB
0008 A0C4h	SCI6	Serial Status Register	SSR	8	8	2 or 3 PCLKB
0008 A0C4h	SMCI6	Serial Status Register	SSR	8	8	2 or 3 PCLKB
0008 A0C5h	SCI6	Receive Data Register	RDR	8	8	2 or 3 PCLKB
0008 A0C6h	SCI6	Smart Card Mode Register	SCMR	8	8	2 or 3 PCLKB
0008 A0C6h	SMCI6	Smart Card Mode Register	SCMR	8	8	2 or 3 PCLKB
0008 A0C7h	SCI6	Serial Extended Mode Register	SEMR	8	8	2 or 3 PCLKB
0008 A0C8h	SCI6	Noise Filter Setting Register	SNFR	8	8	2 or 3 PCLKB
0008 A0C9h	SCI6	I ² C Mode Register 1	SIMR1	8	8	2 or 3 PCLKB
0008 A0CAh	SCI6	I ² C Mode Register 2	SIMR2	8	8	2 or 3 PCLKB
0008 A0CBh	SCI6	I ² C Mode Register 3	SIMR3	8	8	2 or 3 PCLKB
0008 A0CCh	SCI6	I ² C Status Register	SISR	8	8	2 or 3 PCLKB
0008 A0CDh	SCI6	SPI Mode Register	SPMR	8	8	2 or 3 PCLKB
0008 A100h	SCI8	Serial Mode Register	SMR	8	8	2 or 3 PCLKB
0008 A100h	SMCI8	Serial Mode Register	SMR	8	8	2 or 3 PCLKB
0008 A101h	SCI8	Bit Rate Register	BRR	8	8	2 or 3 PCLKB
0008 A102h	SCI8	Serial Control Register	SCR	8	8	2 or 3 PCLKB
0008 A102h	SMCI8	Serial Control Register	SCR	8	8	2 or 3 PCLKB
0008 A103h	SCI8	Transmit Data Register	TDR	8	8	2 or 3 PCLKB
0008 A104h	SCI8	Serial Status Register	SSR	8	8	2 or 3 PCLKB
0008 A104h	SMCI8	Serial Status Register	SSR	8	8	2 or 3 PCLKB
0008 A105h	SCI8	Receive Data Register	RDR	8	8	2 or 3 PCLKB
0008 A106h	SCI8	Smart Card Mode Register	SCMR	8	8	2 or 3 PCLKB
0008 A106h	SMCI8	Smart Card Mode Register	SCMR	8	8	2 or 3 PCLKB
0008 A107h	SCI8	Serial Extended Mode Register	SEMR	8	8	2 or 3 PCLKB
0008 A108h	SCI8	Noise Filter Setting Register	SNFR	8	8	2 or 3 PCLKB
0008 A109h	SCI8	I ² C Mode Register 1	SIMR1	8	8	2 or 3 PCLKB
0008 A10Ah	SCI8	I ² C Mode Register 2	SIMR2	8	8	2 or 3 PCLKB
0008 A10Bh	SCI8	I ² C Mode Register 3	SIMR3	8	8	2 or 3 PCLKB
0008 A10Ch	SCI8	I ² C Status Register	SISR	8	8	2 or 3 PCLKB
0008 A10Dh	SCI8	SPI Mode Register	SPMR	8	8	2 or 3 PCLKB
0008 A120h	SCI9	Serial Mode Register	SMR	8	8	2 or 3 PCLKB
0008 A120h	SMCI9	Serial Mode Register	SMR	8	8	2 or 3 PCLKB
0008 A121h	SCI9	Bit Rate Register	BRR	8	8	2 or 3 PCLKB
0008 A122h	SCI9	Serial Control Register	SCR	8	8	2 or 3 PCLKB
0008 A122h	SMCI9	Serial Control Register	SCR	8	8	2 or 3 PCLKB
0008 A123h	SCI9	Transmit Data Register	TDR	8	8	2 or 3 PCLKB

Table 4.1 List of I/O Registers (Address Order) (15/24)

Address	Module Symbol	Register Name	Register Symbol	Number of Bits	Access Size	Number of Access States
0008 A124h	SCI9	Serial Status Register	SSR	8	8	2 or 3 PCLKB
0008 A124h	SMCI9	Serial Status Register	SSR	8	8	2 or 3 PCLKB
0008 A125h	SCI9	Receive Data Register	RDR	8	8	2 or 3 PCLKB
0008 A126h	SCI9	Smart Card Mode Register	SCMR	8	8	2 or 3 PCLKB
0008 A126h	SMCI9	Smart Card Mode Register	SCMR	8	8	2 or 3 PCLKB
0008 A127h	SCI9	Serial Extended Mode Register	SEMR	8	8	2 or 3 PCLKB
0008 A128h	SCI9	Noise Filter Setting Register	SNFR	8	8	2 or 3 PCLKB
0008 A129h	SCI9	I ² C Mode Register 1	SIMR1	8	8	2 or 3 PCLKB
0008 A12Ah	SCI9	I ² C Mode Register 2	SIMR2	8	8	2 or 3 PCLKB
0008 A12Bh	SCI9	I ² C Mode Register 3	SIMR3	8	8	2 or 3 PCLKB
0008 A12Ch	SCI9	I ² C Status Register	SISR	8	8	2 or 3 PCLKB
0008 A12Dh	SCI9	SPI Mode Register	SPMR	8	8	2 or 3 PCLKB
0008 A500h	SSI0	Control Register	SSICR	32	32	2 or 3 PCLKB
0008 A504h	SSI0	Status Register	SSISR	32	32	2 or 3 PCLKB
0008 A510h	SSI0	FIFO Control Register	SSIFCR	32	32	2 or 3 PCLKB
0008 A514h	SSI0	FIFO Status Register	SSIFSR	32	32	2 or 3 PCLKB
0008 A518h	SSI0	Transmit FIFO Data Register	SSIFTDR	32	32	2 or 3 PCLKB
0008 A51Ch	SSI0	Receive FIFO Data Register	SSIFRDR	32	32	2 or 3 PCLKB
0008 A520h	SSI0	TDM Mode Register	SSITDMR	32	32	2 or 3 PCLKB
0008 B000h	CAC	CAC Control Register 0	CACR0	8	8	2 or 3 PCLKB
0008 B001h	CAC	CAC Control Register 1	CACR1	8	8	2 or 3 PCLKB
0008 B002h	CAC	CAC Control Register 2	CACR2	8	8	2 or 3 PCLKB
0008 B003h	CAC	CAC Interrupt Request Enable Register	CAICR	8	8	2 or 3 PCLKB
0008 B004h	CAC	CAC Status Register	CASTR	8	8	2 or 3 PCLKB
0008 B006h	CAC	CAC Upper-Limit Value Setting Register	CAULVR	16	16	2 or 3 PCLKB
0008 B008h	CAC	CAC Lower-Limit Value Setting Register	CALLVR	16	16	2 or 3 PCLKB
0008 B00Ah	CAC	CAC Counter Buffer Register	CACNTBR	16	16	2 or 3 PCLKB
0008 B080h	DOC	DOC Control Register	DOCR	8	8	2 or 3 PCLKB
0008 B082h	DOC	DOC Data Input Register	DODIR	16	16	2 or 3 PCLKB
0008 B084h	DOC	DOC Data Setting Register	DODSR	16	16	2 or 3 PCLKB
0008 B100h	ELC	Event Link Control Register	ELCR	8	8	2 or 3 PCLKB
0008 B102h	ELC	Event Link Setting Register 1	ELSR1	8	8	2 or 3 PCLKB
0008 B103h	ELC	Event Link Setting Register 2	ELSR2	8	8	2 or 3 PCLKB
0008 B104h	ELC	Event Link Setting Register 3	ELSR3	8	8	2 or 3 PCLKB
0008 B105h	ELC	Event Link Setting Register 4	ELSR4	8	8	2 or 3 PCLKB
0008 B108h	ELC	Event Link Setting Register 7	ELSR7	8	8	2 or 3 PCLKB
0008 B10Bh	ELC	Event Link Setting Register 10	ELSR10	8	8	2 or 3 PCLKB
0008 B10Dh	ELC	Event Link Setting Register 12	ELSR12	8	8	2 or 3 PCLKB
0008 B10Fh	ELC	Event Link Setting Register 14	ELSR14	8	8	2 or 3 PCLKB
0008 B110h	ELC	Event Link Setting Register 15	ELSR15	8	8	2 or 3 PCLKB
0008 B112h	ELC	Event Link Setting Register 17	ELSR17	8	8	2 or 3 PCLKB
0008 B113h	ELC	Event Link Setting Register 18	ELSR18	8	8	2 or 3 PCLKB
0008 B114h	ELC	Event Link Setting Register 19	ELSR19	8	8	2 or 3 PCLKB
0008 B115h	ELC	Event Link Setting Register 20	ELSR20	8	8	2 or 3 PCLKB
0008 B117h	ELC	Event Link Setting Register 22	ELSR22	8	8	2 or 3 PCLKB
0008 B119h	ELC	Event Link Setting Register 24	ELSR24	8	8	2 or 3 PCLKB
0008 B11Ah	ELC	Event Link Setting Register 25	ELSR25	8	8	2 or 3 PCLKB
0008 B11Fh	ELC	Event Link Option Setting Register A	ELOPA	8	8	2 or 3 PCLKB
0008 B120h	ELC	Event Link Option Setting Register B	ELOPB	8	8	2 or 3 PCLKB
0008 B121h	ELC	Event Link Option Setting Register C	ELOPC	8	8	2 or 3 PCLKB
0008 B122h	ELC	Event Link Option Setting Register D	ELOPD	8	8	2 or 3 PCLKB
0008 B123h	ELC	Port Group Setting Register 1	PGR1	8	8	2 or 3 PCLKB

Table 4.1 List of I/O Registers (Address Order) (16/24)

Address	Module Symbol	Register Name	Register Symbol	Number of Bits	Access Size	Number of Access States
0008 B125h	ELC	Port Group Control Register 1	PGC1	8	8	2 or 3 PCLKB
0008 B127h	ELC	Port Buffer Register 1	PDBF1	8	8	2 or 3 PCLKB
0008 B129h	ELC	Event Link Port Setting Register 0	PEL0	8	8	2 or 3 PCLKB
0008 B12Ah	ELC	Event Link Port Setting Register 1	PEL1	8	8	2 or 3 PCLKB
0008 B12Dh	ELC	Event Link Software Event Generation Register	ELSEGR	8	8	2 or 3 PCLKB
0008 B300h	SCI12	Serial Mode Register	SMR	8	8	2 or 3 PCLKB
0008 B300h	SMCI12	Serial Mode Register	SMR	8	8	2 or 3 PCLKB
0008 B301h	SCI12	Bit Rate Register	BRR	8	8	2 or 3 PCLKB
0008 B302h	SCI12	Serial Control Register	SCR	8	8	2 or 3 PCLKB
0008 B302h	SMCI12	Serial Control Register	SCR	8	8	2 or 3 PCLKB
0008 B303h	SCI12	Transmit Data Register	TDR	8	8	2 or 3 PCLKB
0008 B304h	SCI12	Serial Status Register	SSR	8	8	2 or 3 PCLKB
0008 B304h	SMCI12	Serial Status Register	SSR	8	8	2 or 3 PCLKB
0008 B305h	SCI12	Receive Data Register	RDR	8	8	2 or 3 PCLKB
0008 B306h	SCI12	Smart Card Mode Register	SCMR	8	8	2 or 3 PCLKB
0008 B306h	SMCI12	Smart Card Mode Register	SCMR	8	8	2 or 3 PCLKB
0008 B307h	SCI12	Serial Extended Mode Register	SEMR	8	8	2 or 3 PCLKB
0008 B308h	SCI12	Noise Filter Setting Register	SNFR	8	8	2 or 3 PCLKB
0008 B309h	SCI12	I ² C Mode Register 1	SIMR1	8	8	2 or 3 PCLKB
0008 B30Ah	SCI12	I ² C Mode Register 2	SIMR2	8	8	2 or 3 PCLKB
0008 B30Bh	SCI12	I ² C Mode Register 3	SIMR3	8	8	2 or 3 PCLKB
0008 B30Ch	SCI12	I ² C Status Register	SISR	8	8	2 or 3 PCLKB
0008 B30Dh	SCI12	SPI Mode Register	SPMR	8	8	2 or 3 PCLKB
0008 B320h	SCI12	Extended Serial Module Enable Register	ESMER	8	8	2 or 3 PCLKB
0008 B321h	SCI12	Control Register 0	CR0	8	8	2 or 3 PCLKB
0008 B322h	SCI12	Control Register 1	CR1	8	8	2 or 3 PCLKB
0008 B323h	SCI12	Control Register 2	CR2	8	8	2 or 3 PCLKB
0008 B324h	SCI12	Control Register 3	CR3	8	8	2 or 3 PCLKB
0008 B325h	SCI12	Port Control Register	PCR	8	8	2 or 3 PCLKB
0008 B326h	SCI12	Interrupt Control Register	ICR	8	8	2 or 3 PCLKB
0008 B327h	SCI12	Status Register	STR	8	8	2 or 3 PCLKB
0008 B328h	SCI12	Status Clear Register	STCR	8	8	2 or 3 PCLKB
0008 B329h	SCI12	Control Field 0 Data Register	CF0DR	8	8	2 or 3 PCLKB
0008 B32Ah	SCI12	Control Field 0 Compare Enable Register	CF0CR	8	8	2 or 3 PCLKB
0008 B32Bh	SCI12	Control Field 0 Receive Data Register	CF0RR	8	8	2 or 3 PCLKB
0008 B32Ch	SCI12	Primary Control Field 1 Data Register	PCF1DR	8	8	2 or 3 PCLKB
0008 B32Dh	SCI12	Secondary Control Field 1 Data Register	SCF1DR	8	8	2 or 3 PCLKB
0008 B32Eh	SCI12	Control Field 1 Compare Enable Register	CF1CR	8	8	2 or 3 PCLKB
0008 B32Fh	SCI12	Control Field 1 Receive Data Register	CF1RR	8	8	2 or 3 PCLKB
0008 B330h	SCI12	Timer Control Register	TCR	8	8	2 or 3 PCLKB
0008 B331h	SCI12	Timer Mode Register	TMR	8	8	2 or 3 PCLKB
0008 B332h	SCI12	Timer Prescaler Register	TPRE	8	8	2 or 3 PCLKB
0008 B333h	SCI12	Timer Count Register	TCNT	8	8	2 or 3 PCLKB
0008 C000h	PORT0	Port Direction Register	PDR	8	8	2 or 3 PCLKB
0008 C001h	PORT1	Port Direction Register	PDR	8	8	2 or 3 PCLKB
0008 C002h	PORT2	Port Direction Register	PDR	8	8	2 or 3 PCLKB
0008 C003h	PORT3	Port Direction Register	PDR	8	8	2 or 3 PCLKB
0008 C004h	PORT4	Port Direction Register	PDR	8	8	2 or 3 PCLKB
0008 C005h	PORT5	Port Direction Register	PDR	8	8	2 or 3 PCLKB
0008 C009h	PORT9	Port Direction Register	PDR	8	8	2 or 3 PCLKB
0008 C00Ah	PORTA	Port Direction Register	PDR	8	8	2 or 3 PCLKB
0008 C00Bh	PORTB	Port Direction Register	PDR	8	8	2 or 3 PCLKB

Table 4.1 List of I/O Registers (Address Order) (17/24)

Address	Module Symbol	Register Name	Register Symbol	Number of Bits	Access Size	Number of Access States
0008 C00Ch	PORTC	Port Direction Register	PDR	8	8	2 or 3 PCLKB
0008 C00Dh	PORTD	Port Direction Register	PDR	8	8	2 or 3 PCLKB
0008 C00Eh	PORTE	Port Direction Register	PDR	8	8	2 or 3 PCLKB
0008 C00Fh	PORTF	Port Direction Register	PDR	8	8	2 or 3 PCLKB
0008 C012h	PORTJ	Port Direction Register	PDR	8	8	2 or 3 PCLKB
0008 C020h	PORT0	Port Output Data Register	PODR	8	8	2 or 3 PCLKB
0008 C021h	PORT1	Port Output Data Register	PODR	8	8	2 or 3 PCLKB
0008 C022h	PORT2	Port Output Data Register	PODR	8	8	2 or 3 PCLKB
0008 C023h	PORT3	Port Output Data Register	PODR	8	8	2 or 3 PCLKB
0008 C024h	PORT4	Port Output Data Register	PODR	8	8	2 or 3 PCLKB
0008 C025h	PORT5	Port Output Data Register	PODR	8	8	2 or 3 PCLKB
0008 C029h	PORT9	Port Output Data Register	PODR	8	8	2 or 3 PCLKB
0008 C02Ah	PORTA	Port Output Data Register	PODR	8	8	2 or 3 PCLKB
0008 C02Bh	PORTB	Port Output Data Register	PODR	8	8	2 or 3 PCLKB
0008 C02Ch	PORTC	Port Output Data Register	PODR	8	8	2 or 3 PCLKB
0008 C02Dh	PORTD	Port Output Data Register	PODR	8	8	2 or 3 PCLKB
0008 C02Eh	PORTE	Port Output Data Register	PODR	8	8	2 or 3 PCLKB
0008 C02Fh	PORTF	Port Output Data Register	PODR	8	8	2 or 3 PCLKB
0008 C032h	PORTJ	Port Output Data Register	PODR	8	8	2 or 3 PCLKB
0008 C040h	PORT0	Port Input Data Register	PIDR	8	8	3 or 4 PCLKB cycles when reading, 2 or 3 PCLKB cycles when writing
0008 C041h	PORT1	Port Input Data Register	PIDR	8	8	3 or 4 PCLKB cycles when reading, 2 or 3 PCLKB cycles when writing
0008 C042h	PORT2	Port Input Data Register	PIDR	8	8	3 or 4 PCLKB cycles when reading, 2 or 3 PCLKB cycles when writing
0008 C043h	PORT3	Port Input Data Register	PIDR	8	8	3 or 4 PCLKB cycles when reading, 2 or 3 PCLKB cycles when writing
0008 C044h	PORT4	Port Input Data Register	PIDR	8	8	3 or 4 PCLKB cycles when reading, 2 or 3 PCLKB cycles when writing
0008 C045h	PORT5	Port Input Data Register	PIDR	8	8	3 or 4 PCLKB cycles when reading, 2 or 3 PCLKB cycles when writing
0008 C049h	PORT9	Port Input Data Register	PIDR	8	8	3 or 4 PCLKB cycles when reading, 2 or 3 PCLKB cycles when writing
0008 C04Ah	PORTA	Port Input Data Register	PIDR	8	8	3 or 4 PCLKB cycles when reading, 2 or 3 PCLKB cycles when writing
0008 C04Bh	PORTB	Port Input Data Register	PIDR	8	8	3 or 4 PCLKB cycles when reading, 2 or 3 PCLKB cycles when writing
0008 C04Ch	PORTC	Port Input Data Register	PIDR	8	8	3 or 4 PCLKB cycles when reading, 2 or 3 PCLKB cycles when writing
0008 C04Dh	PORTD	Port Input Data Register	PIDR	8	8	3 or 4 PCLKB cycles when reading, 2 or 3 PCLKB cycles when writing
0008 C04Eh	PORTE	Port Input Data Register	PIDR	8	8	3 or 4 PCLKB cycles when reading, 2 or 3 PCLKB cycles when writing
0008 C04Fh	PORTF	Port Input Data Register	PIDR	8	8	3 or 4 PCLKB cycles when reading, 2 or 3 PCLKB cycles when writing
0008 C052h	PORTJ	Port Input Data Register	PIDR	8	8	3 or 4 PCLKB cycles when reading, 2 or 3 PCLKB cycles when writing
0008 C060h	PORT0	Port Mode Register	PMR	8	8	2 or 3 PCLKB
0008 C061h	PORT1	Port Mode Register	PMR	8	8	2 or 3 PCLKB
0008 C062h	PORT2	Port Mode Register	PMR	8	8	2 or 3 PCLKB
0008 C063h	PORT3	Port Mode Register	PMR	8	8	2 or 3 PCLKB
0008 C064h	PORT4	Port Mode Register	PMR	8	8	2 or 3 PCLKB
0008 C065h	PORT5	Port Mode Register	PMR	8	8	2 or 3 PCLKB
0008 C069h	PORT9	Port Mode Register	PMR	8	8	2 or 3 PCLKB
0008 C06Ah	PORTA	Port Mode Register	PMR	8	8	2 or 3 PCLKB
0008 C06Bh	PORTB	Port Mode Register	PMR	8	8	2 or 3 PCLKB
0008 C06Ch	PORTC	Port Mode Register	PMR	8	8	2 or 3 PCLKB
0008 C06Dh	PORTD	Port Mode Register	PMR	8	8	2 or 3 PCLKB

Table 4.1 List of I/O Registers (Address Order) (18/24)

Address	Module Symbol	Register Name	Register Symbol	Number of Bits	Access Size	Number of Access States
0008 C06Eh	PORTE	Port Mode Register	PMR	8	8	2 or 3 PCLKB
0008 C06Fh	PORTF	Port Mode Register	PMR	8	8	2 or 3 PCLKB
0008 C072h	PORTJ	Port Mode Register	PMR	8	8	2 or 3 PCLKB
0008 C080h	PORT0	Open Drain Control Register 0	ODR0	8	8, 16	2 or 3 PCLKB
0008 C081h	PORT0	Open Drain Control Register 1	ODR1	8	8, 16	2 or 3 PCLKB
0008 C082h	PORT1	Open Drain Control Register 0	ODR0	8	8, 16	2 or 3 PCLKB
0008 C083h	PORT1	Open Drain Control Register 1	ODR1	8	8, 16	2 or 3 PCLKB
0008 C084h	PORT2	Open Drain Control Register 0	ODR0	8	8, 16	2 or 3 PCLKB
0008 C085h	PORT2	Open Drain Control Register 1	ODR1	8	8, 16	2 or 3 PCLKB
0008 C086h	PORT3	Open Drain Control Register 0	ODR0	8	8, 16	2 or 3 PCLKB
0008 C08Ah	PORT5	Open Drain Control Register 0	ODR0	8	8, 16	2 or 3 PCLKB
0008 C08Bh	PORT5	Open Drain Control Register 1	ODR1	8	8, 16	2 or 3 PCLKB
0008 C094h	PORTA	Open Drain Control Register 0	ODR0	8	8, 16	2 or 3 PCLKB
0008 C095h	PORTA	Open Drain Control Register 1	ODR1	8	8, 16	2 or 3 PCLKB
0008 C096h	PORTB	Open Drain Control Register 0	ODR0	8	8, 16	2 or 3 PCLKB
0008 C097h	PORTB	Open Drain Control Register 1	ODR1	8	8, 16	2 or 3 PCLKB
0008 C098h	PORTC	Open Drain Control Register 0	ODR0	8	8, 16	2 or 3 PCLKB
0008 C099h	PORTC	Open Drain Control Register 1	ODR1	8	8, 16	2 or 3 PCLKB
0008 C09Ch	PORTE	Open Drain Control Register 0	ODR0	8	8, 16	2 or 3 PCLKB
0008 C09Dh	PORTE	Open Drain Control Register 1	ODR1	8	8, 16	2 or 3 PCLKB
0008 C0A4h	PORTJ	Open Drain Control Register 0	ODR0	8	8, 16	2 or 3 PCLKB
0008 C0C0h	PORT0	Pull-Up Control Register	PCR	8	8	2 or 3 PCLKB
0008 C0C1h	PORT1	Pull-Up Control Register	PCR	8	8	2 or 3 PCLKB
0008 C0C2h	PORT2	Pull-Up Control Register	PCR	8	8	2 or 3 PCLKB
0008 C0C3h	PORT3	Pull-Up Control Register	PCR	8	8	2 or 3 PCLKB
0008 C0C5h	PORT5	Pull-Up Control Register	PCR	8	8	2 or 3 PCLKB
0008 C0CAh	PORTA	Pull-Up Control Register	PCR	8	8	2 or 3 PCLKB
0008 C0CBh	PORTB	Pull-Up Control Register	PCR	8	8	2 or 3 PCLKB
0008 C0CCh	PORTC	Pull-Up Control Register	PCR	8	8	2 or 3 PCLKB
0008 C0CDh	PORTD	Pull-Up Control Register	PCR	8	8	2 or 3 PCLKB
0008 C0CEh	PORTE	Pull-Up Control Register	PCR	8	8	2 or 3 PCLKB
0008 C0CFh	PORTF	Pull-Up Control Register	PCR	8	8	2 or 3 PCLKB
0008 C0D2h	PORTJ	Pull-Up Control Register	PCR	8	8	2 or 3 PCLKB
0008 C11Fh	MPC	Write-Protect Register	PWPR	8	8	2 or 3 PCLKB
0008 C121h	PORT	Port Switching Register A	PSRA	8	8	2 or 3 PCLKB
0008 C142h	MPC	P02 Pin Function Control Register	P02PFS	8	8	2 or 3 PCLKB
0008 C144h	MPC	P04 Pin Function Control Register	P04PFS	8	8	2 or 3 PCLKB
0008 C147h	MPC	P07 Pin Function Control Register	P07PFS	8	8	2 or 3 PCLKB
0008 C148h	MPC	P10 Pin Function Control Register	P10PFS	8	8	2 or 3 PCLKB
0008 C149h	MPC	P11 Pin Function Control Register	P11PFS	8	8	2 or 3 PCLKB
0008 C14Ah	MPC	P12 Pin Function Control Register	P12PFS	8	8	2 or 3 PCLKB
0008 C14Bh	MPC	P13 Pin Function Control Register	P13PFS	8	8	2 or 3 PCLKB
0008 C14Ch	MPC	P14 Pin Function Control Register	P14PFS	8	8	2 or 3 PCLKB
0008 C14Dh	MPC	P15 Pin Function Control Register	P15PFS	8	8	2 or 3 PCLKB
0008 C14Eh	MPC	P16 Pin Function Control Register	P16PFS	8	8	2 or 3 PCLKB
0008 C14Fh	MPC	P17 Pin Function Control Register	P17PFS	8	8	2 or 3 PCLKB
0008 C150h	MPC	P20 Pin Function Control Register	P20PFS	8	8	2 or 3 PCLKB
0008 C151h	MPC	P21 Pin Function Control Register	P21PFS	8	8	2 or 3 PCLKB
0008 C152h	MPC	P22 Pin Function Control Register	P22PFS	8	8	2 or 3 PCLKB
0008 C153h	MPC	P23 Pin Function Control Register	P23PFS	8	8	2 or 3 PCLKB
0008 C154h	MPC	P24 Pin Function Control Register	P24PFS	8	8	2 or 3 PCLKB
0008 C155h	MPC	P25 Pin Function Control Register	P25PFS	8	8	2 or 3 PCLKB

Table 4.1 List of I/O Registers (Address Order) (19/24)

Address	Module Symbol	Register Name	Register Symbol	Number of Bits	Access Size	Number of Access States
0008 C156h	MPC	P26 Pin Function Control Register	P26PFS	8	8	2 or 3 PCLKB
0008 C157h	MPC	P27 Pin Function Control Register	P27PFS	8	8	2 or 3 PCLKB
0008 C158h	MPC	P30 Pin Function Control Register	P30PFS	8	8	2 or 3 PCLKB
0008 C159h	MPC	P31 Pin Function Control Register	P31PFS	8	8	2 or 3 PCLKB
0008 C15Ah	MPC	P32 Pin Function Control Register	P32PFS	8	8	2 or 3 PCLKB
0008 C160h	MPC	P40 Pin Function Control Register	P40PFS	8	8	2 or 3 PCLKB
0008 C161h	MPC	P41 Pin Function Control Register	P41PFS	8	8	2 or 3 PCLKB
0008 C162h	MPC	P42 Pin Function Control Register	P42PFS	8	8	2 or 3 PCLKB
0008 C163h	MPC	P43 Pin Function Control Register	P43PFS	8	8	2 or 3 PCLKB
0008 C164h	MPC	P44 Pin Function Control Register	P44PFS	8	8	2 or 3 PCLKB
0008 C166h	MPC	P46 Pin Function Control Register	P46PFS	8	8	2 or 3 PCLKB
0008 C168h	MPC	P50 Pin Function Control Register	P50PFS	8	8	2 or 3 PCLKB
0008 C169h	MPC	P51 Pin Function Control Register	P51PFS	8	8	2 or 3 PCLKB
0008 C16Ah	MPC	P52 Pin Function Control Register	P52PFS	8	8	2 or 3 PCLKB
0008 C16Bh	MPC	P53 Pin Function Control Register	P53PFS	8	8	2 or 3 PCLKB
0008 C16Ch	MPC	P54 Pin Function Control Register	P54PFS	8	8	2 or 3 PCLKB
0008 C16Dh	MPC	P55 Pin Function Control Register	P55PFS	8	8	2 or 3 PCLKB
0008 C16Eh	MPC	P56 Pin Function Control Register	P56PFS	8	8	2 or 3 PCLKB
0008 C188h	MPC	P90 Pin Function Control Register	P90PFS	8	8	2 or 3 PCLKB
0008 C189h	MPC	P91 Pin Function Control Register	P91PFS	8	8	2 or 3 PCLKB
0008 C18Ah	MPC	P92 Pin Function Control Register	P92PFS	8	8	2 or 3 PCLKB
0008 C190h	MPC	PA0 Pin Function Control Register	PA0PFS	8	8	2 or 3 PCLKB
0008 C191h	MPC	PA1 Pin Function Control Register	PA1PFS	8	8	2 or 3 PCLKB
0008 C192h	MPC	PA2 Pin Function Control Register	PA2PFS	8	8	2 or 3 PCLKB
0008 C193h	MPC	PA3 Pin Function Control Register	PA3PFS	8	8	2 or 3 PCLKB
0008 C194h	MPC	PA4 Pin Function Control Register	PA4PFS	8	8	2 or 3 PCLKB
0008 C195h	MPC	PA5 Pin Function Control Register	PA5PFS	8	8	2 or 3 PCLKB
0008 C196h	MPC	PA6 Pin Function Control Register	PA6PFS	8	8	2 or 3 PCLKB
0008 C197h	MPC	PA7 Pin Function Control Register	PA7PFS	8	8	2 or 3 PCLKB
0008 C198h	MPC	PB0 Pin Function Control Register	PB0PFS	8	8	2 or 3 PCLKB
0008 C199h	MPC	PB1 Pin Function Control Register	PB1PFS	8	8	2 or 3 PCLKB
0008 C19Ah	MPC	PB2 Pin Function Control Register	PB2PFS	8	8	2 or 3 PCLKB
0008 C19Bh	MPC	PB3 Pin Function Control Register	PB3PFS	8	8	2 or 3 PCLKB
0008 C19Ch	MPC	PB4 Pin Function Control Register	PB4PFS	8	8	2 or 3 PCLKB
0008 C19Dh	MPC	PB5 Pin Function Control Register	PB5PFS	8	8	2 or 3 PCLKB
0008 C19Eh	MPC	PB6 Pin Function Control Register	PB6PFS	8	8	2 or 3 PCLKB
0008 C19Fh	MPC	PB7 Pin Function Control Register	PB7PFS	8	8	2 or 3 PCLKB
0008 C1A0h	MPC	PC0 Pin Function Control Register	PC0PFS	8	8	2 or 3 PCLKB
0008 C1A1h	MPC	PC1 Pin Function Control Register	PC1PFS	8	8	2 or 3 PCLKB
0008 C1A2h	MPC	PC2 Pin Function Control Register	PC2PFS	8	8	2 or 3 PCLKB
0008 C1A3h	MPC	PC3 Pin Function Control Register	PC3PFS	8	8	2 or 3 PCLKB
0008 C1A4h	MPC	PC4 Pin Function Control Register	PC4PFS	8	8	2 or 3 PCLKB
0008 C1A5h	MPC	PC5 Pin Function Control Register	PC5PFS	8	8	2 or 3 PCLKB
0008 C1A6h	MPC	PC6 Pin Function Control Register	PC6PFS	8	8	2 or 3 PCLKB
0008 C1A7h	MPC	PC7 Pin Function Control Register	PC7PFS	8	8	2 or 3 PCLKB
0008 C1A8h	MPC	PD0 Pin Function Control Register	PD0PFS	8	8	2 or 3 PCLKB
0008 C1A9h	MPC	PD1 Pin Function Control Register	PD1PFS	8	8	2 or 3 PCLKB
0008 C1AAh	MPC	PD2 Pin Function Control Register	PD2PFS	8	8	2 or 3 PCLKB
0008 C1ABh	MPC	PD3 Pin Function Control Register	PD3PFS	8	8	2 or 3 PCLKB
0008 C1ACh	MPC	PD4 Pin Function Control Register	PD4PFS	8	8	2 or 3 PCLKB
0008 C1B0h	MPC	PE0 Pin Function Control Register	PE0PFS	8	8	2 or 3 PCLKB
0008 C1B1h	MPC	PE1 Pin Function Control Register	PE1PFS	8	8	2 or 3 PCLKB

Table 4.1 List of I/O Registers (Address Order) (20/24)

Address	Module Symbol	Register Name	Register Symbol	Number of Bits	Access Size	Number of Access States
0008 C1B2h	MPC	PE2 Pin Function Control Register	PE2PFS	8	8	2 or 3 PCLKB
0008 C1B3h	MPC	PE3 Pin Function Control Register	PE3PFS	8	8	2 or 3 PCLKB
0008 C1B4h	MPC	PE4 Pin Function Control Register	PE4PFS	8	8	2 or 3 PCLKB
0008 C1B5h	MPC	PE5 Pin Function Control Register	PE5PFS	8	8	2 or 3 PCLKB
0008 C1B6h	MPC	PE6 Pin Function Control Register	PE6PFS	8	8	2 or 3 PCLKB
0008 C1B7h	MPC	PE7 Pin Function Control Register	PE7PFS	8	8	2 or 3 PCLKB
0008 C1BEh	MPC	PF6 Pin Function Control Register	PF6PFS	8	8	2 or 3 PCLKB
0008 C1BFh	MPC	PF7 Pin Function Control Register	PF7PFS	8	8	2 or 3 PCLKB
0008 C1D0h	MPC	PJ0 Pin Function Control Register	PJ0PFS	8	8	2 or 3 PCLKB
0008 C1D2h	MPC	PJ2 Pin Function Control Register	PJ2PFS	8	8	2 or 3 PCLKB
0008 C1D3h	MPC	PJ3 Pin Function Control Register	PJ3PFS	8	8	2 or 3 PCLKB
0008 C1D6h	MPC	PJ6 Pin Function Control Register	PJ6PFS	8	8	2 or 3 PCLKB
0008 C1D7h	MPC	PJ7 Pin Function Control Register	PJ7PFS	8	8	2 or 3 PCLKB
0008 C290h	SYSTEM	Reset Status Register 0	RSTSR0	8	8	4 or 5 PCLKB
0008 C291h	SYSTEM	Reset Status Register 1	RSTSR1	8	8	4 or 5 PCLKB
0008 C293h	SYSTEM	Main Clock Oscillator Forced Oscillation Control Register	MOFCR	8	8	4 or 5 PCLKB
0008 C297h	SYSTEM	Voltage Monitoring Circuit Control Register	LVCMPCR	8	8	4 or 5 PCLKB
0008 C298h	SYSTEM	Voltage Detection Level Select Register	LVDLVL	8	8	4 or 5 PCLKB
0008 C29Ah	SYSTEM	Voltage Monitoring 1 Circuit Control Register 0	LVD1CR0	8	8	4 or 5 PCLKB
0008 C29Bh	SYSTEM	Voltage Monitoring 2 Circuit Control Register 0	LVD2CR0	8	8	4 or 5 PCLKB
0008 C400h	RTC	64-Hz Counter	R64CNT	8	8	2 or 3 PCLKB
0008 C402h	RTC	Second Counter	RSECCNT	8	8	2 or 3 PCLKB
0008 C402h	RTC	Binary Counter 0	BCNT0	8	8	2 or 3 PCLKB
0008 C404h	RTC	Minute Counter	RMINCNT	8	8	2 or 3 PCLKB
0008 C404h	RTC	Binary Counter 1	BCNT1	8	8	2 or 3 PCLKB
0008 C406h	RTC	Hour Counter	RHRCNT	8	8	2 or 3 PCLKB
0008 C406h	RTC	Binary Counter 2	BCNT2	8	8	2 or 3 PCLKB
0008 C408h	RTC	Day-of-Week Counter	RWKCNT	8	8	2 or 3 PCLKB
0008 C408h	RTC	Binary Counter 3	BCNT3	8	8	2 or 3 PCLKB
0008 C40Ah	RTC	Date Counter	RDAYCNT	8	8	2 or 3 PCLKB
0008 C40Ch	RTC	Month Counter	RMONCNT	8	8	2 or 3 PCLKB
0008 C40Eh	RTC	Year Counter	RYRCNT	16	16	2 or 3 PCLKB
0008 C410h	RTC	Second Alarm Register	RSECAR	8	8	2 or 3 PCLKB
0008 C410h	RTC	Binary Counter 0 Alarm Register	BCNT0AR	8	8	2 or 3 PCLKB
0008 C412h	RTC	Minute Alarm Register	RMINAR	8	8	2 or 3 PCLKB
0008 C412h	RTC	Binary Counter 1 Alarm Register	BCNT1AR	8	8	2 or 3 PCLKB
0008 C414h	RTC	Hour Alarm Register	RHRAR	8	8	2 or 3 PCLKB
0008 C414h	RTC	Binary Counter 2 Alarm Register	BCNT2AR	8	8	2 or 3 PCLKB
0008 C416h	RTC	Day-of-Week Alarm Register	RWKAR	8	8	2 or 3 PCLKB
0008 C416h	RTC	Binary Counter 3 Alarm Register	BCNT3AR	8	8	2 or 3 PCLKB
0008 C418h	RTC	Date Alarm Register	RDAYAR	8	8	2 or 3 PCLKB
0008 C418h	RTC	Binary Counter 0 Alarm Enable Register	BCNT0AER	8	8	2 or 3 PCLKB
0008 C41Ah	RTC	Month Alarm Register	RMONAR	8	8	2 or 3 PCLKB
0008 C41Ah	RTC	Binary Counter 1 Alarm Enable Register	BCNT1AER	8	8	2 or 3 PCLKB
0008 C41Ch	RTC	Year Alarm Register	RYRAR	16	16	2 or 3 PCLKB
0008 C41Ch	RTC	Binary Counter 2 Alarm Enable Register	BCNT2AER	16	16	2 or 3 PCLKB
0008 C41Eh	RTC	Year Alarm Enable Register	RYRAREN	8	8	2 or 3 PCLKB
0008 C41Eh	RTC	Binary Counter 3 Alarm Enable Register	BCNT3AER	8	8	2 or 3 PCLKB
0008 C422h	RTC	RTC Control Register 1	RCR1	8	8	2 or 3 PCLKB
0008 C424h	RTC	RTC Control Register 2	RCR2	8	8	2 or 3 PCLKB
0008 C426h	RTC	RTC Control Register 3	RCR3	8	8	2 or 3 PCLKB
0008 C42Eh	RTC	Time Error Adjustment Register	RADJ	8	8	2 or 3 PCLKB

Table 4.1 List of I/O Registers (Address Order) (21/24)

Address	Module Symbol	Register Name	Register Symbol	Number of Bits	Access Size	Number of Access States
0008 C580h	CMPB	Comparator B Control Register 1	CPBCNT1	8	8	2 or 3 PCLKB
0008 C581h	CMPB	Comparator B Control Register 2	CPBCNT2	8	8	2 or 3 PCLKB
0008 C582h	CMPB	Comparator B Flag Register	CPBFLG	8	8	2 or 3 PCLKB
0008 C583h	CMPB	Comparator B Interrupt Control Register	CPBINT	8	8	2 or 3 PCLKB
0008 C584h	CMPB	Comparator B Filter Select Register	CPBF	8	8	2 or 3 PCLKB
0008 C585h	CMPB	Comparator B Mode Select Register	CPBMD	8	8	2 or 3 PCLKB
0008 C586h	CMPB	Comparator B Reference Input Voltage Select Register	CPBREF	8	8	2 or 3 PCLKB
0008 C587h	CMPB	Comparator B Output Control Register	CPBOCR	8	8	2 or 3 PCLKB
000A 0000h	USB0	System Configuration Control Register	SYSCFG	16	16	3 or 4 PCLKB
000A 0004h	USB0	System Configuration Status Register 0	SYSSTS0	16	16	9 PCLKB or more
000A 0008h	USB0	Device State Control Register 0	DVSTCTR0	16	16	9 PCLKB or more
000A 0014h	USB0	CFIFO Port Register	CFIFO	16	8, 16	3 or 4 PCLKB
000A 0018h	USB0	D0FIFO Port Register	D0FIFO	16	8, 16	3 or 4 PCLKB
000A 001Ch	USB0	D1FIFO Port Register	D1FIFO	16	8, 16	3 or 4 PCLKB
000A 0020h	USB0	CFIFO Port Select Register	CFIFOSEL	16	16	3 or 4 PCLKB
000A 0028h	USB0	D0FIFO Port Select Register	D0FIFOSEL	16	16	3 or 4 PCLKB
000A 002Ch	USB0	D1FIFO Port Select Register	D1FIFOSEL	16	16	3 or 4 PCLKB
000A 0022h	USB0	CFIFO Port Control Register	CFIFOCTR	16	16	3 or 4 PCLKB
000A 002Ah	USB0	D0FIFO Port Control Register	D0FIFOCTR	16	16	3 or 4 PCLKB
000A 002Eh	USB0	D1FIFO Port Control Register	D1FIFOCTR	16	16	3 or 4 PCLKB
000A 0030h	USB0	Interrupt Enable Register 0	INTENB0	16	16	9 PCLKB or more
000A 0032h	USB0	Interrupt Enable Register 1	INTENB1	16	16	9 PCLKB or more
000A 0036h	USB0	BRDY Interrupt Enable Register	BRDYENB	16	16	9 PCLKB or more
000A 0038h	USB0	NRDY Interrupt Enable Register	NRDYENB	16	16	9 PCLKB or more
000A 003Ah	USB0	BEMP Interrupt Enable Register	BEMPENB	16	16	9 PCLKB or more
000A 003Ch	USB0	SOF Output Configuration Register	SOFCFG	16	16	9 PCLKB or more
000A 0040h	USB0	Interrupt Status Register 0	INTSTS0	16	16	9 PCLKB or more
000A 0042h	USB0	Interrupt Status Register 1	INTSTS1	16	16	9 PCLKB or more
000A 0046h	USB0	BRDY Interrupt Status Register	BRDYSTS	16	16	9 PCLKB or more
000A 0048h	USB0	NRDY Interrupt Status Register	NRDYSTS	16	16	9 PCLKB or more
000A 004Ah	USB0	BEMP Interrupt Status Register	BEMPSTS	16	16	9 PCLKB or more
000A 004Ch	USB0	Frame Number Register	FRMNUM	16	16	9 PCLKB or more
000A 0054h	USB0	USB Request Type Register	USBREQ	16	16	9 PCLKB or more
000A 0056h	USB0	USB Request Value Register	USBVAL	16	16	9 PCLKB or more
000A 0058h	USB0	USB Request Index Register	USBINDX	16	16	9 PCLKB or more
000A 005Ah	USB0	USB Request Length Register	USBLENG	16	16	9 PCLKB or more
000A 005Ch	USB0	DCP Configuration Register	DCPCFG	16	16	9 PCLKB or more
000A 005Eh	USB0	DCP Maximum Packet Size Register	DCPMAXP	16	16	9 PCLKB or more
000A 0060h	USB0	DCP Control Register	DCPCTR	16	16	9 PCLKB or more
000A 0064h	USB0	Pipe Window Select Register	PIPESEL	16	16	9 PCLKB or more
000A 0068h	USB0	Pipe Configuration Register	PIPECFG	16	16	9 PCLKB or more
000A 006Ch	USB0	Pipe Maximum Packet Size Register	PEMPMAXP	16	16	9 PCLKB or more
000A 006Eh	USB0	Pipe Cycle Control Register	PIPEPERI	16	16	9 PCLKB or more
000A 0070h	USB0	PIPE1 Control Register	PIPE1CTR	16	16	9 PCLKB or more
000A 0072h	USB0	PIPE2 Control Register	PIPE2CTR	16	16	9 PCLKB or more
000A 0074h	USB0	PIPE3 Control Register	PIPE3CTR	16	16	9 PCLKB or more
000A 0076h	USB0	PIPE4 Control Register	PIPE4CTR	16	16	9 PCLKB or more
000A 0078h	USB0	PIPE5 Control Register	PIPE5CTR	16	16	9 PCLKB or more
000A 007Ah	USB0	PIPE6 Control Register	PIPE6CTR	16	16	9 PCLKB or more
000A 007Ch	USB0	PIPE7 Control Register	PIPE7CTR	16	16	9 PCLKB or more
000A 007Eh	USB0	PIPE8 Control Register	PIPE8CTR	16	16	9 PCLKB or more
000A 0080h	USB0	PIPE9 Control Register	PIPE9CTR	16	16	9 PCLKB or more

Table 4.1 List of I/O Registers (Address Order) (22/24)

Address	Module Symbol	Register Name	Register Symbol	Number of Bits	Access Size	Number of Access States
000A 0090h	USB0	PIPE1 Transaction Counter Enable Register	PIPE1TRE	16	16	9 PCLKB or more
000A 0092h	USB0	PIPE1 Transaction Counter Register	PIPE1TRN	16	16	9 PCLKB or more
000A 0094h	USB0	PIPE2 Transaction Counter Enable Register	PIPE2TRE	16	16	9 PCLKB or more
000A 0096h	USB0	PIPE2 Transaction Counter Register	PIPE2TRN	16	16	9 PCLKB or more
000A 0098h	USB0	PIPE3 Transaction Counter Enable Register	PIPE3TRE	16	16	9 PCLKB or more
000A 009Ah	USB0	PIPE3 Transaction Counter Register	PIPE3TRN	16	16	9 PCLKB or more
000A 009Ch	USB0	PIPE4 Transaction Counter Enable Register	PIPE4TRE	16	16	9 PCLKB or more
000A 009Eh	USB0	PIPE4 Transaction Counter Register	PIPE4TRN	16	16	9 PCLKB or more
000A 00A0h	USB0	PIPE5 Transaction Counter Enable Register	PIPE5TRE	16	16	9 PCLKB or more
000A 00A2h	USB0	PIPE5 Transaction Counter Register	PIPE5TRN	16	16	9 PCLKB or more
000A 00B0h	USB0	BC Control Register 0	USBBCCTRL0	16	16	9 PCLKB or more
000A 00CCh	USB0	USB Module Control Register	USBMC	16	16	9 PCLKB or more
000A 00D0h	USB0	Device Address 0 Configuration Register	DEVADD0	16	16	9 PCLKB or more
000A 00D2h	USB0	Device Address 1 Configuration Register	DEVADD1	16	16	9 PCLKB or more
000A 00D4h	USB0	Device Address 2 Configuration Register	DEVADD2	16	16	9 PCLKB or more
000A 00D6h	USB0	Device Address 3 Configuration Register	DEVADD3	16	16	9 PCLKB or more
000A 00D8h	USB0	Device Address 4 Configuration Register	DEVADD4	16	16	9 PCLKB or more
000A 00DAh	USB0	Device Address 5 Configuration Register	DEVADD5	16	16	9 PCLKB or more
000A 0800h	LCDC	LCD Mode Register 0	LCDM0	8	8	1 or 2 PCLKB
000A 0801h	LCDC	LCD Mode Register 1	LCDM1	8	8	1 or 2 PCLKB
000A 0802h	LCDC	LCD Clock Control Register 0	LCDC0	8	8	1 or 2 PCLKB
000A 0803h	LCDC	LCD Boost Level Control Register	VLCD	8	8	1 or 2 PCLKB
000A 0840h	LCDC	LCD Display Data Register 00	SEG00	8	8	1 or 2 PCLKB
000A 0841h	LCDC	LCD Display Data Register 01	SEG01	8	8	1 or 2 PCLKB
000A 0842h	LCDC	LCD Display Data Register 02	SEG02	8	8	1 or 2 PCLKB
000A 0843h	LCDC	LCD Display Data Register 03	SEG03	8	8	1 or 2 PCLKB
000A 0844h	LCDC	LCD Display Data Register 04	SEG04	8	8	1 or 2 PCLKB
000A 0845h	LCDC	LCD Display Data Register 05	SEG05	8	8	1 or 2 PCLKB
000A 0846h	LCDC	LCD Display Data Register 06	SEG06	8	8	1 or 2 PCLKB
000A 0847h	LCDC	LCD Display Data Register 07	SEG07	8	8	1 or 2 PCLKB
000A 0848h	LCDC	LCD Display Data Register 08	SEG08	8	8	1 or 2 PCLKB
000A 0849h	LCDC	LCD Display Data Register 09	SEG09	8	8	1 or 2 PCLKB
000A 084Ah	LCDC	LCD Display Data Register 10	SEG10	8	8	1 or 2 PCLKB
000A 084Bh	LCDC	LCD Display Data Register 11	SEG11	8	8	1 or 2 PCLKB
000A 084Ch	LCDC	LCD Display Data Register 12	SEG12	8	8	1 or 2 PCLKB
000A 084Dh	LCDC	LCD Display Data Register 13	SEG13	8	8	1 or 2 PCLKB
000A 084Eh	LCDC	LCD Display Data Register 14	SEG14	8	8	1 or 2 PCLKB
000A 084Fh	LCDC	LCD Display Data Register 15	SEG15	8	8	1 or 2 PCLKB
000A 0850h	LCDC	LCD Display Data Register 16	SEG16	8	8	1 or 2 PCLKB
000A 0851h	LCDC	LCD Display Data Register 17	SEG17	8	8	1 or 2 PCLKB
000A 0852h	LCDC	LCD Display Data Register 18	SEG18	8	8	1 or 2 PCLKB
000A 0853h	LCDC	LCD Display Data Register 19	SEG19	8	8	1 or 2 PCLKB
000A 0854h	LCDC	LCD Display Data Register 20	SEG20	8	8	1 or 2 PCLKB
000A 0855h	LCDC	LCD Display Data Register 21	SEG21	8	8	1 or 2 PCLKB
000A 0856h	LCDC	LCD Display Data Register 22	SEG22	8	8	1 or 2 PCLKB
000A 0857h	LCDC	LCD Display Data Register 23	SEG23	8	8	1 or 2 PCLKB
000A 0858h	LCDC	LCD Display Data Register 24	SEG24	8	8	1 or 2 PCLKB
000A 0859h	LCDC	LCD Display Data Register 25	SEG25	8	8	1 or 2 PCLKB
000A 085Ah	LCDC	LCD Display Data Register 26	SEG26	8	8	1 or 2 PCLKB
000A 085Bh	LCDC	LCD Display Data Register 27	SEG27	8	8	1 or 2 PCLKB
000A 085Ch	LCDC	LCD Display Data Register 28	SEG28	8	8	1 or 2 PCLKB
000A 085Dh	LCDC	LCD Display Data Register 29	SEG29	8	8	1 or 2 PCLKB

Table 4.1 List of I/O Registers (Address Order) (23/24)

Address	Module Symbol	Register Name	Register Symbol	Number of Bits	Access Size	Number of Access States
000A 085Eh	LCDC	LCD Display Data Register 30	SEG30	8	8	1 or 2 PCLKB
000A 085Fh	LCDC	LCD Display Data Register 31	SEG31	8	8	1 or 2 PCLKB
000A 0860h	LCDC	LCD Display Data Register 32	SEG32	8	8	1 or 2 PCLKB
000A 0861h	LCDC	LCD Display Data Register 33	SEG33	8	8	1 or 2 PCLKB
000A 0862h	LCDC	LCD Display Data Register 34	SEG34	8	8	1 or 2 PCLKB
000A 0863h	LCDC	LCD Display Data Register 35	SEG35	8	8	1 or 2 PCLKB
000A 0864h	LCDC	LCD Display Data Register 36	SEG36	8	8	1 or 2 PCLKB
000A 0865h	LCDC	LCD Display Data Register 37	SEG37	8	8	1 or 2 PCLKB
000A 0866h	LCDC	LCD Display Data Register 38	SEG38	8	8	1 or 2 PCLKB
000A 0867h	LCDC	LCD Display Data Register 39	SEG39	8	8	1 or 2 PCLKB
000A 0900h	CTSU	CTSU Control Register 0	CTSUCR0	8	8	1 or 2 PCLKB
000A 0901h	CTSU	CTSU Control Register 1	CTSUCR1	8	8	1 or 2 PCLKB
000A 0902h	CTSU	CTSU Synchronous Noise Reduction Setting Register	CTSUSDPRS	8	8	1 or 2 PCLKB
000A 0903h	CTSU	CTSU Sensor Stabilization Wait Control Register	CTSUSST	8	8	1 or 2 PCLKB
000A 0904h	CTSU	CTSU Measurement Channel Register 0	CTSUMCH0	8	8	1 or 2 PCLKB
000A 0905h	CTSU	CTSU Measurement Channel Register 1	CTSUMCH1	8	8	1 or 2 PCLKB
000A 0906h	CTSU	CTSU Channel Enable Control Register 0	CTSUCHAC0	8	8	1 or 2 PCLKB
000A 0907h	CTSU	CTSU Channel Enable Control Register 1	CTSUCHAC1	8	8	1 or 2 PCLKB
000A 090Bh	CTSU	CTSU Channel Transmit/Receive Control Register 0	CTSUCHTRC0	8	8	1 or 2 PCLKB
000A 090Ch	CTSU	CTSU Channel Transmit/Receive Control Register 1	CTSUCHTRC1	8	8	1 or 2 PCLKB
000A 0910h	CTSU	CTSU High-Pass Noise Reduction Control Register	CTSUDCLKC	8	8	1 or 2 PCLKB
000A 0911h	CTSU	CTSU Status Register	CTSUST	8	8	1 or 2 PCLKB
000A 0912h	CTSU	CTSU High-Pass Noise Reduction Spectrum Diffusion Control Register	CTSUSSC	16	16	1 or 2 PCLKB
000A 0914h	CTSU	CTSU Sensor Offset Register 0	CTSUSO0	16	16	1 or 2 PCLKB
000A 0916h	CTSU	CTSU Sensor Offset Register 1	CTSUSO1	16	16	1 or 2 PCLKB
000A 0918h	CTSU	CTSU Sensor Counter	CTSUSC	16	16	1 or 2 PCLKB
000A 091Ah	CTSU	CTSU Reference Counter	CTSURC	16	16	1 or 2 PCLKB
000A 091Ch	CTSU	CTSU Error Status Register	CTSUERRS	16	16	1 or 2 PCLKB
007F C090h	FLASH	E2 DataFlash Control Register	DFLCTL	8	8	2 or 3 FCLK
007F C0ACh	TEMPS	Temperature Sensor Calibration Data Register	TSCDRL	8	8	1 or 2 PCLKB
007F C0ADh	TEMPS	Temperature Sensor Calibration Data Register	TSCDRH	8	8	1 or 2 PCLKB
007F C0B0h	FLASH	Flash Start-Up Setting Monitor Register	FSCMR	16	16	2 or 3 FCLK
007F C0B2h	FLASH	Flash Access Window Start Address Monitor Register	FAWSMR	16	16	2 or 3 FCLK
007F C0B4h	FLASH	Flash Access Window End Address Monitor Register	FAWEMR	16	16	2 or 3 FCLK
007F C0B6h	FLASH	Flash Initial Setting Register	FISR	8	8	2 or 3 FCLK
007F C0B7h	FLASH	Flash Extra Area Control Register	FEXCR	8	8	2 or 3 FCLK
007F C0B8h	FLASH	Flash Error Address Monitor Register L	FEAML	16	16	2 or 3 FCLK
007F C0BAh	FLASH	Flash Error Address Monitor Register H	FEAMH	8	8	2 or 3 FCLK
007F C0C0h	FLASH	Protection Unlock Register	FPR	8	8	2 or 3 FCLK
007F C0C1h	FLASH	Protection Unlock Status Register	FPSR	8	8	2 or 3 FCLK
007F C0C2h	FLASH	Flash Read Buffer Register L	FRBL	16	16	2 or 3 FCLK
007F C0C4h	FLASH	Flash Read Buffer Register H	FRBH	16	16	2 or 3 FCLK
007F FF80h	FLASH	Flash P/E Mode Control Register	FPMCR	8	8	2 or 3 FCLK
007F FF81h	FLASH	Flash Area Select Register	FASR	8	8	2 or 3 FCLK
007F FF82h	FLASH	Flash Processing Start Address Register L	FSARL	16	16	2 or 3 FCLK
007F FF84h	FLASH	Flash Processing Start Address Register H	FSARH	8	8	2 or 3 FCLK
007F FF85h	FLASH	Flash Control Register	FCR	8	8	2 or 3 FCLK
007F FF86h	FLASH	Flash Processing End Address Register L	FEARL	16	16	2 or 3 FCLK
007F FF88h	FLASH	Flash Processing End Address Register H	FEARH	8	8	2 or 3 FCLK
007F FF89h	FLASH	Flash Reset Register	FRESETR	8	8	2 or 3 FCLK
007F FF8Ah	FLASH	Flash Status Register 0	FSTATR0	8	8	2 or 3 FCLK
007F FF8Bh	FLASH	Flash Status Register 1	FSTATR1	8	8	2 or 3 FCLK

Table 4.1 List of I/O Registers (Address Order) (24/24)

Address	Module Symbol	Register Name	Register Symbol	Number of Bits	Access Size	Number of Access States
007F FF8Ch	FLASH	Flash Write Buffer Register L	FWBL	16	16	2 or 3 FCLK
007F FF8Eh	FLASH	Flash Write Buffer Register H	FWBH	16	16	2 or 3 FCLK
007F FFB2h	FLASH	Flash P/E Mode Entry Register	FENTRYR	16	16	2 or 3 FCLK
007F FFBCh	CTSU	CTSU Reference Current Calibration Register	CTSUTRMR	8	8	2 or 3 FCLK

Note 1. Odd addresses cannot be accessed in 16-bit units. When accessing a register in 16-bit units, access the address of the TMOCNL register. Table 30.6 lists register allocation for 16-bit access in the User's Manual: Hardware.

5. Electrical Characteristics

5.1 Absolute Maximum Ratings

Table 5.1 Absolute Maximum Ratings

Conditions: VSS = AVSS0 = VREFL0 = VREFL = VSS_USB = 0 V

Item	Symbol	Value	Unit
Power supply voltage	VCC, VCC_USB	-0.3 to +4.6	V
Input voltage	Ports for 5 V tolerant*1	V_{in}	-0.3 to +6.5
	Ports P40 to P44, P46, ports P90 to P92, ports PJ6, PJ7	V_{in}	-0.3 to AVCC0 + 0.3
	Ports other than above	V_{in}	-0.3 to VCC + 0.3
Reference power supply voltage	VREFH0	-0.3 to AVCC0 + 0.3	V
	VREFH		
Analog power supply voltage	AVCC0	-0.3 to +4.6	V
Analog input voltage	V_{AN}	-0.3 to AVCC0 + 0.3 (when AN000 to AN007 and AN021 used) -0.3 to VCC + 0.3 (when AN008 to AN015 used)	V
LCD voltage	V_{L1} voltage	V_{L1}	V
	V_{L2} voltage	V_{L2}	
	V_{L3} voltage	V_{L3}	
	V_{L4} voltage	V_{L4}	
Operating temperature*2	T_{opr}	-40 to +85 -40 to +105	°C
Storage temperature	T_{stg}	-55 to +125	°C

Caution: Permanent damage to the MCU may result if absolute maximum ratings are exceeded.

To preclude any malfunctions due to noise interference, insert capacitors of high frequency characteristics between the VCC and VSS pins, between the AVCC0 and AVSS0 pins, between the VCC_USB and VSS_USB pins, between the VREFH0 and VREFL0 pins, and between the VREFH and VREFL pins. Place capacitors of about 0.1 μ F as close as possible to every power supply pin and use the shortest and heaviest possible traces. Also, connect capacitors as stabilization capacitance.

Connect the VCL pin to a VSS pin via a 4.7 μ F capacitor. The capacitor must be placed close to the pin, refer to section 5.15.1, Connecting VCL Capacitor and Bypass Capacitors.

Do not input signals or an I/O pull-up power supply to ports other than 5-V tolerant ports while the device is not powered. The current injection that results from input of such a signal or I/O pull-up may cause malfunction and the abnormal current that passes in the device at this time may cause degradation of internal elements.

If input voltage (within the specified range from -0.3 to +6.5V) is applied to 5-V tolerant ports, it will not cause problems such as damage to the MCU.

Note 1. Ports P16, P17, PA6, and PB0 are 5 V tolerant.

Note 2. The upper limit of operating temperature is 85°C or 105°C, depending on the product. For details, refer to Table 1.3, List of Products.

Table 5.2 Recommended Operating Conditions

Item	Symbol	Conditions	Min.	Typ.	Max.	Unit
Power supply voltages	VCC*1, *3	When USB not used	1.8	—	3.6	V
		When USB used	3.0	—	3.6	
	VSS		—	0	—	
USB power supply voltages	VCC_USB		—	VCC	—	V
	VSS_USB		—	0	—	
Analog power supply voltages	AVCC0*1, *2, *3		1.8	—	3.6	V
	AVSS0		—	0	—	
	VREFH0		1.8	—	AVCC0	
	VREFL0		—	0	—	
	VREFH		1.8	—	AVCC0	
	VREFL		—	0	—	

Note 1. AVCC0 and VCC can be set individually within the operating range, but there are the following restrictions for the voltage applied to the PJ0 and PJ2 pins, VCC, and AVCC0.

When 12-bit D/A converter used: Voltage applied to port J0 and J2 pins (D/A output voltage) \leq VCC

When general ports selected: VCC \leq AVCC0

Note 2. For details, refer to section 36.8.11, Voltage Range of Analog Power Supply Pins in the User's Manual: Hardware.

Note 3. Sequence of Powering on AVCC0 and VCC

When powering on AVCC0 and VCC, power them on at the same time or VCC first.

5.2 DC Characteristics

Table 5.3 DC Characteristics (1)Conditions: $2.7\text{ V} \leq VCC = VCC_USB \leq 3.6\text{ V}$, $2.7\text{ V} \leq AVCC0 \leq 3.6\text{ V}$, $VSS = AVSS0 = VSS_USB = 0\text{ V}$, $T_a = -40$ to $+105^\circ\text{C}$

Item		Symbol	Min.	Typ.	Max.	Unit	Test Conditions
Schmitt trigger input voltage	RIIC input pin (except for SMBus, 5 V tolerant)	V_{IH}	$0.7 \times VCC$	—	5.8	V	
	Ports P16, P17, port PA6, port PB0 (5 V tolerant)		$0.8 \times VCC$	—	5.8		
	Ports P02, P04, P07, ports P10 to P15, ports P20 to P27, ports P30 to P32, P35, ports P50 to P56, ports PA0 to PA5, PA7, ports PB1 to PB7, ports PC0 to PC7, ports PD0 to PD4, ports PE0 to PE7, ports PF6, PF7, ports PJ0*1, PJ2*1, PJ3, RES#		$0.8 \times VCC$	—	$VCC + 0.3$		
	RIIC input pin (except for SMBus)	V_{IL}	-0.3	—	$0.3 \times VCC$		
	Other than RIIC input pin		-0.3	—	$0.2 \times VCC$		
	RIIC input pin (except for SMBus)	ΔV_T	$0.05 \times VCC$	—	—		
	Other than RIIC input pin		$0.1 \times VCC$	—	—		
Input voltage (except for Schmitt trigger input pins)	MD	V_{IH}	$0.9 \times VCC$	—	$VCC + 0.3$	V	
	XTAL (external clock input)		$0.8 \times VCC$	—	$VCC + 0.3$		
	Ports P40 to P44, P46, ports P90 to P92, ports PJ6, PJ7		$0.7 \times AVCC0$	—	$AVCC0 + 0.3$		
	RIIC input pin (SMBus)		2.1	—	$VCC + 0.3$		
	MD	V_{IL}	-0.3	—	$0.1 \times VCC$		
	XTAL (external clock input)		-0.3	—	$0.2 \times VCC$		
	Ports P40 to P44, P46, ports P90 to P92, ports PJ6, PJ7		-0.3	—	$0.3 \times AVCC0$		
	RIIC input pin (SMBus)		-0.3	—	0.8		

Note 1. There are restrictions on AVCC0 and VCC depending on the usage conditions for the 12-bit D/A converter and I/O ports. When using ports PJ0 and PJ2 multiplexed with DA0 and DA1 as general I/O ports, make sure that $VCC \leq AVCC0$.

Table 5.4 DC Characteristics (2)Conditions: $1.8\text{ V} \leq VCC = VCC_USB < 2.7\text{ V}$, $1.8\text{ V} \leq AVCC0 < 2.7\text{ V}$, $VSS = AVSS0 = VSS_USB = 0\text{ V}$, $T_a = -40\text{ to }+105^\circ\text{C}$

Item	Symbol	Min.	Typ.	Max.	Unit	Test Conditions
Schmitt trigger input voltage	Ports P16, P17, port PA6, port PB0 (5 V tolerant)	V_{IH}	$0.8 \times VCC$	—	5.8	V
	Ports P02, P04, P07, ports P10 to P15, ports P20 to P27, ports P30 to P32, P35, ports P50 to P56, ports PA0 to PA5, PA7 ports PB1 to PB7, ports PC0 to PC7, ports PD0 to PD4, ports PE0 to PE7, ports PF6, PF7, ports PJ0*1, PJ2*1, PJ3, RES#		$0.8 \times VCC$	—	$VCC + 0.3$	
	All pins	V_{IL}	-0.3	—	$0.2 \times VCC$	
	All pins	ΔV_T	$0.01 \times VCC$	—	—	
Input voltage (except for Schmitt trigger input pins)	MD	V_{IH}	$0.9 \times VCC$	—	$VCC + 0.3$	V
	XTAL (external clock input)		$0.8 \times VCC$	—	$VCC + 0.3$	
	Ports P40 to P44, P46, ports P90 to P92, ports PJ6, PJ7		$0.7 \times AVCC0$	—	$AVCC0 + 0.3$	
	MD	V_{IL}	-0.3	—	$0.1 \times VCC$	
	XTAL (external clock input)		-0.3	—	$0.2 \times VCC$	
	Ports P40 to P44, P46, ports P90 to P92, ports PJ6, PJ7		-0.3	—	$0.3 \times AVCC0$	

Note 1. There are restrictions on AVCC0 and VCC depending on the usage conditions for the 12-bit D/A converter and I/O ports. When using ports PJ0 and PJ2 multiplexed with DA0 and DA1 as general I/O ports, make sure that $VCC \leq AVCC0$.

Table 5.5 DC Characteristics (3)Conditions: $1.8\text{ V} \leq VCC = VCC_USB \leq 3.6\text{ V}$, $1.8\text{ V} \leq AVCC0 \leq 3.6\text{ V}$, $VSS = AVSS0 = VSS_USB = 0\text{ V}$, $T_a = -40\text{ to }+105^\circ\text{C}$

Item	Symbol	Min.	Typ.	Max.	Unit	Test Conditions
Input leakage current	RES#, MD, port P35	$ I_{in} $	—	—	1.0	μA $V_{in} = 0\text{ V}, VCC$
Three-state leakage current (off-state)	Ports for 5 V tolerant	$ I_{TSI} $	—	—	1.0	μA $V_{in} = 0\text{ V}, 5.8\text{ V}$
	Pins other than above		—	—	1.0	μA $V_{in} = 0\text{ V}, VCC$
Input capacitance	All input pins (except for port P16, port P35, USB0_DM, USB0_DP)	C_{in}	—	—	15	pF $V_{in} = 0\text{ V}$ Frequency: 1 MHz $T_a = 25^\circ\text{C}$
	Port P16, port P35, USB0_DM, USB0_DP		—	—	30	

Table 5.6 DC Characteristics (4)Conditions: $1.8\text{ V} \leq VCC = VCC_USB \leq 3.6\text{ V}$, $1.8\text{ V} \leq AVCC0 \leq 3.6\text{ V}$, $VSS = AVSS0 = VSS_USB = 0\text{ V}$, $T_a = -40\text{ to }+105^\circ\text{C}$

Item	Symbol	Min.	Typ.	Max.	Unit	Test Conditions
Input pull-up resistor	All ports (except for port P35)	R_U	10	20	100	$\text{k}\Omega$ $V_{in} = 0\text{ V}$

Table 5.7 DC Characteristics (5) (1/2)Conditions: $1.8\text{ V} \leq V_{CC} = V_{CC_USB} \leq 3.6\text{ V}$, $1.8\text{ V} \leq AV_{CC0} \leq 3.6\text{ V}$, $V_{SS} = AV_{SS0} = V_{SS_USB} = 0\text{ V}$, $T_a = -40\text{ to }+105^\circ\text{C}$

Item					Symbol	Typ *4	Max	Unit	Test Conditions		
Supply current*1	High-speed operating mode	Normal operating mode	No peripheral operation*2	ICLK = 32 MHz	I_{CC}	3.6	—	mA			
				ICLK = 16 MHz		2.4	—				
				ICLK = 8 MHz		1.8	—				
			All peripheral operation: Normal*3	ICLK = 32 MHz		14.0	—				
				ICLK = 16 MHz		7.9	—				
				ICLK = 8 MHz		4.9	—				
			All peripheral operation: Max.*3	ICLK = 32 MHz		—	30.0				
				Sleep mode		No peripheral operation*2	ICLK = 32 MHz			1.9	—
							ICLK = 16 MHz			1.5	—
		ICLK = 8 MHz	1.3		—						
		All peripheral operation: Normal*3	ICLK = 32 MHz	8.2	—						
			ICLK = 16 MHz	4.8	—						
			ICLK = 8 MHz	3.1	—						
		Deep sleep mode	No peripheral operation*2	ICLK = 32 MHz	1.1	—					
				ICLK = 16 MHz	0.95	—					
	ICLK = 8 MHz			0.86	—						
	All peripheral operation: Normal*3		ICLK = 32 MHz	6.4	—						
			ICLK = 16 MHz	3.8	—						
			ICLK = 8 MHz	2.4	—						
	Increase during flash rewrite*5						2.5	—			
	Middle-speed operating modes		Normal operating mode	No peripheral operation*6	ICLK = 12 MHz	I_{CC}	2.1	—		mA	
					ICLK = 8 MHz		1.4	—			
		ICLK = 1 MHz			0.77		—				
		All peripheral operation: Normal*7		ICLK = 12 MHz	6.3		—				
				ICLK = 8 MHz	4.6		—				
				ICLK = 1 MHz	1.6		—				
		All peripheral operation: Max.*7		ICLK = 12 MHz	—		14.2				
Sleep mode				No peripheral operation*6	ICLK = 12 MHz		1.4	—			
					ICLK = 8 MHz		0.90	—			
		ICLK = 1 MHz			0.68		—				
All peripheral operation: Normal*7		ICLK = 12 MHz		3.9	—						
		ICLK = 8 MHz		2.9	—						
		ICLK = 1 MHz		1.4	—						
Deep sleep mode		No peripheral operation*6		ICLK = 12 MHz	1.1		—				
				ICLK = 8 MHz	0.63		—				
			ICLK = 1 MHz	0.55	—						
		All peripheral operation: Normal*7	ICLK = 12 MHz	3.3	—						
			ICLK = 8 MHz	2.4	—						
			ICLK = 1 MHz	1.2	—						
Increase during flash rewrite*5						2.5	—				

Table 5.7 DC Characteristics (5) (2/2)Conditions: $1.8\text{ V} \leq V_{CC} = V_{CC_USB} \leq 3.6\text{ V}$, $1.8\text{ V} \leq AV_{CC0} \leq 3.6\text{ V}$, $V_{SS} = AV_{SS0} = V_{SS_USB} = 0\text{ V}$, $T_a = -40\text{ to }+105^\circ\text{C}$

Item					Symbol	Typ *4	Max	Unit	Test Conditions
Supply current*1	Low-speed operating mode	Normal operating mode	No peripheral operation*8	ICLK = 32.768 kHz	I _{CC}	4.3	—	μA	
			All peripheral operation: Normal*9, *10	ICLK = 32.768 kHz		15.0	—		
			All peripheral operation: Max.*9, *10	ICLK = 32.768kHz		—	62		
		Sleep mode	No peripheral operation*8	ICLK = 32.768 kHz		2.3	—		
			All peripheral operation: Normal*9	ICLK = 32.768 kHz		8.6	—		
		Deep sleep mode	No peripheral operation*8	ICLK = 32.768 kHz		1.7	—		
			All peripheral operation: Normal*9	ICLK = 32.768 kHz		7.0	—		

Note 1. Supply current values do not include output charge/discharge current from all pins. The values apply when internal pull-up MOSs are in the off state.

Note 2. Clock supply to the peripheral functions is stopped. This does not include BGO operation. The clock source is PLL. FCLK and PCLK are set to divided by 64.

Note 3. Clocks are supplied to the peripheral functions. This does not include BGO operation. The clock source is PLL. FCLK and PCLK are set to the same frequency as ICLK.

Note 4. Values when $V_{CC} = 3.3\text{ V}$.

Note 5. This is the increase for programming or erasure of the ROM or E2 DataFlash during program execution.

Note 6. Clock supply to the peripheral functions is stopped. The clock source is PLL when ICLK = 12 MHz, and HOCO otherwise. FCLK and PCLK are set to divided by 64.

Note 7. Clocks are supplied to the peripheral functions. The clock source is PLL when ICLK = 12 MHz, and HOCO otherwise. FCLK and PCLK are set to the same frequency as ICLK.

Note 8. Clock supply to the peripheral functions is stopped. The clock source is the sub-clock oscillator. FCLK and PCLK are set to divided by 64.

Note 9. Clocks are supplied to the peripheral functions. The clock source is the sub-clock oscillator. FCLK and PCLK are set to the same frequency as ICLK.

Note 10. Values when the MSTPCRA.MSTPA17 bit (12-bit A/D converter module stop bit) is set to "transition to the module stop state is made".

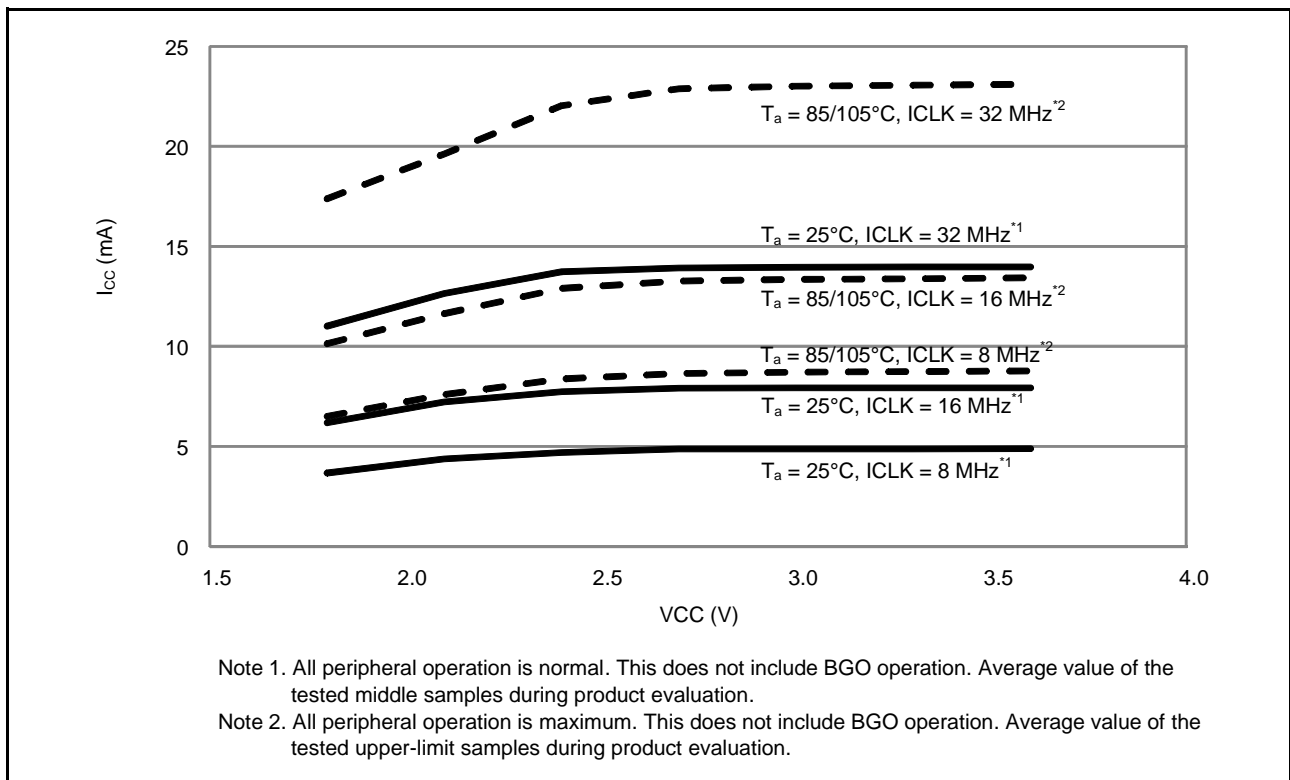


Figure 5.1 Voltage Dependency in High-Speed Operating Mode (Reference Data)

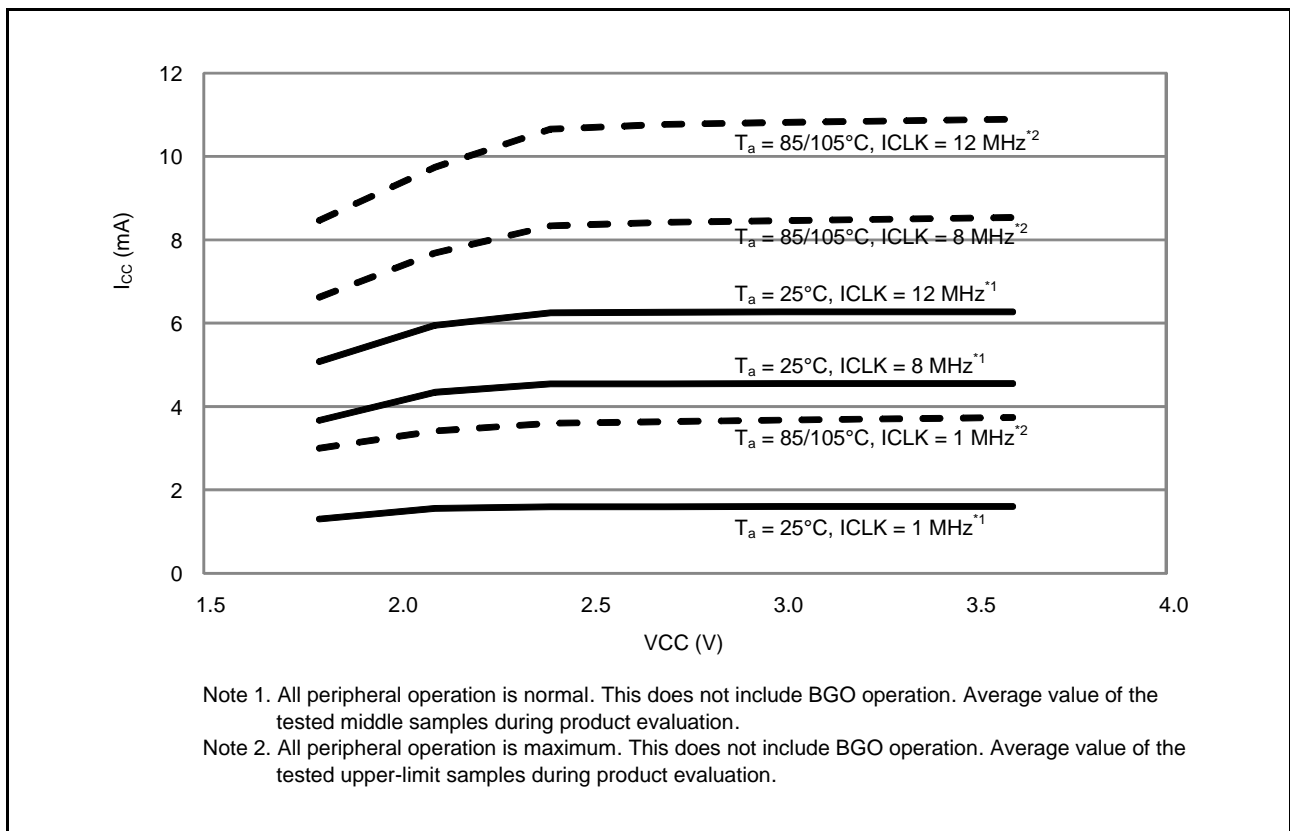


Figure 5.2 Voltage Dependency in Middle-Speed Operating Mode (Reference Data)

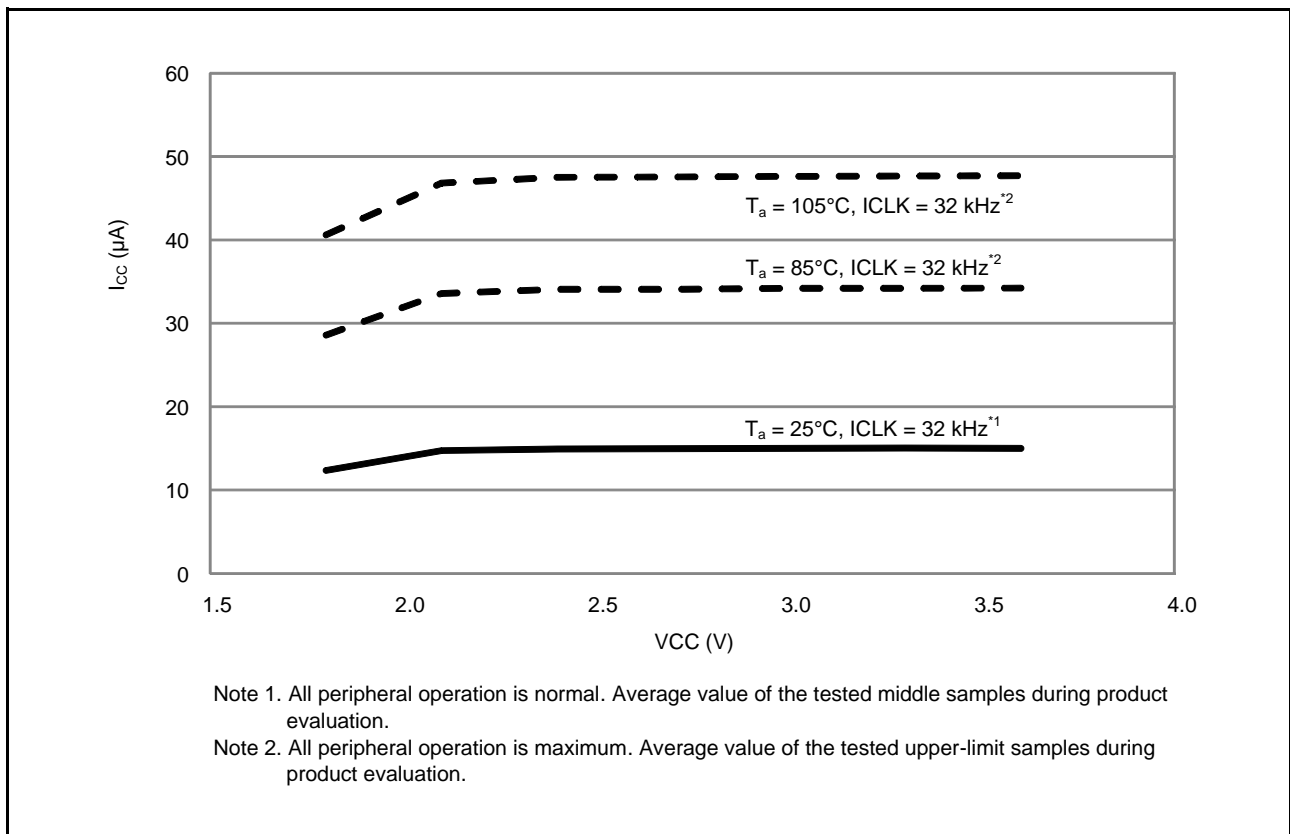


Figure 5.3 Voltage Dependency in Low-Speed Operating Mode (Reference Data)

Table 5.8 DC Characteristics (6)

Conditions: $1.8\text{ V} \leq \text{VCC} = \text{VCC_USB} \leq 3.6\text{ V}$, $1.8\text{ V} \leq \text{AVCC0} \leq 3.6\text{ V}$, $\text{VSS} = \text{AVSS0} = \text{VSS_USB} = 0\text{ V}$, $T_a = -40\text{ to }+105^\circ\text{C}$

Item		Symbol	Typ.*3	Max.	Unit	Test Conditions			
Supply current*1	Software standby mode*2	$T_a = 25^\circ\text{C}$	I_{CC}	0.44	0.98	μA			
		$T_a = 55^\circ\text{C}$		0.80	3.47				
		$T_a = 85^\circ\text{C}$		2.7	12.0				
		$T_a = 105^\circ\text{C}$		6.17	42.7				
	Increment for RTC operation*4			0.31	—				RCR3.RTCDV[2:0] = 010b
				1.09	—				RCR3.RTCDV[2:0] = 100b
	Increment for LPT operation			0.37	—				LPTCR1.LPCNTCKSEL set to IWDT dedicated on-chip oscillator
	Increment for IWDT operation			0.37	—				

Note 1. Supply current values do not include output charge/discharge current from all pins. The values apply when internal pull-up MOSs are in the off state.

Note 2. The IWDT and LVD are stopped.

Note 3. $\text{VCC} = 3.3\text{ V}$.

Note 4. Includes the oscillation circuit.

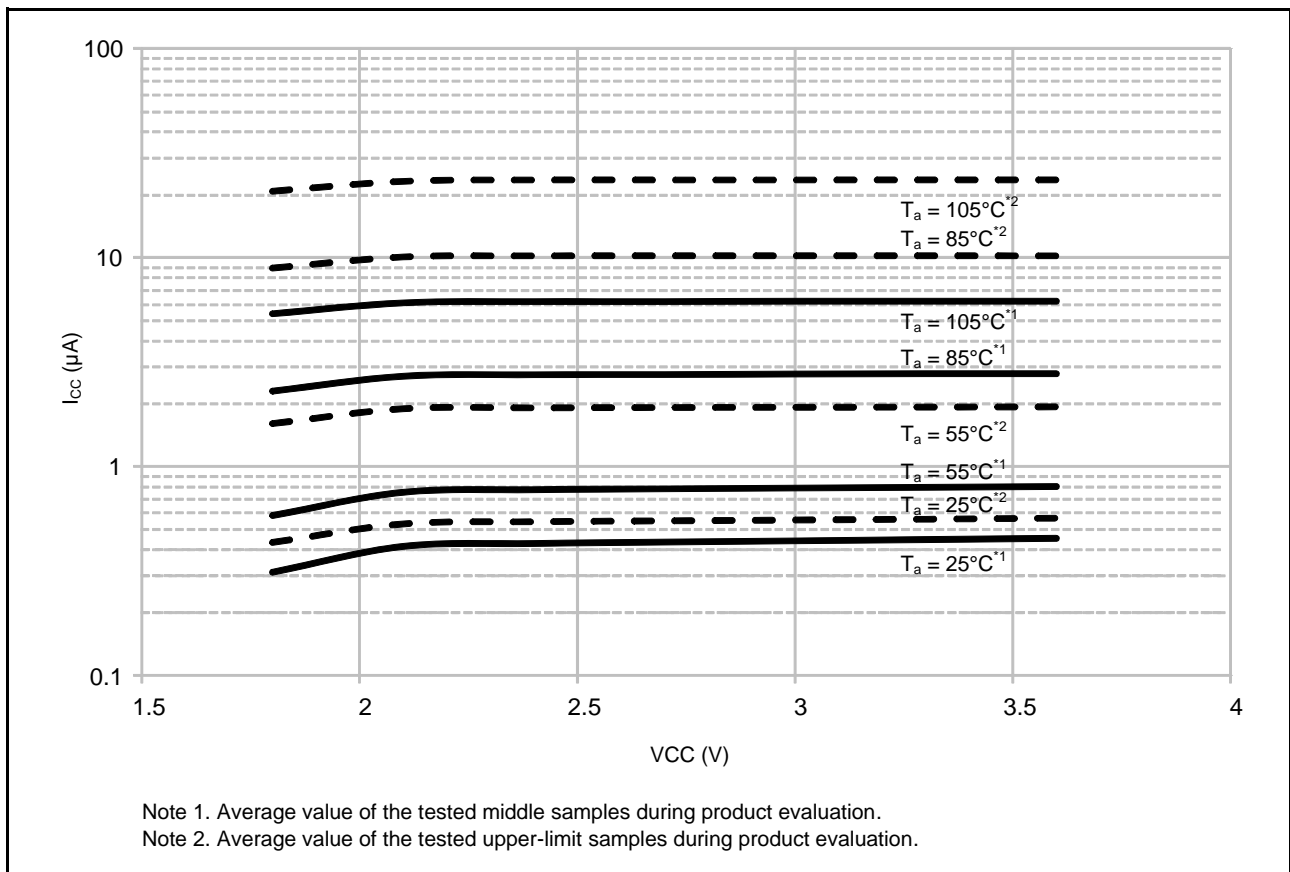


Figure 5.4 Voltage Dependency in Software Standby Mode (Reference Data)

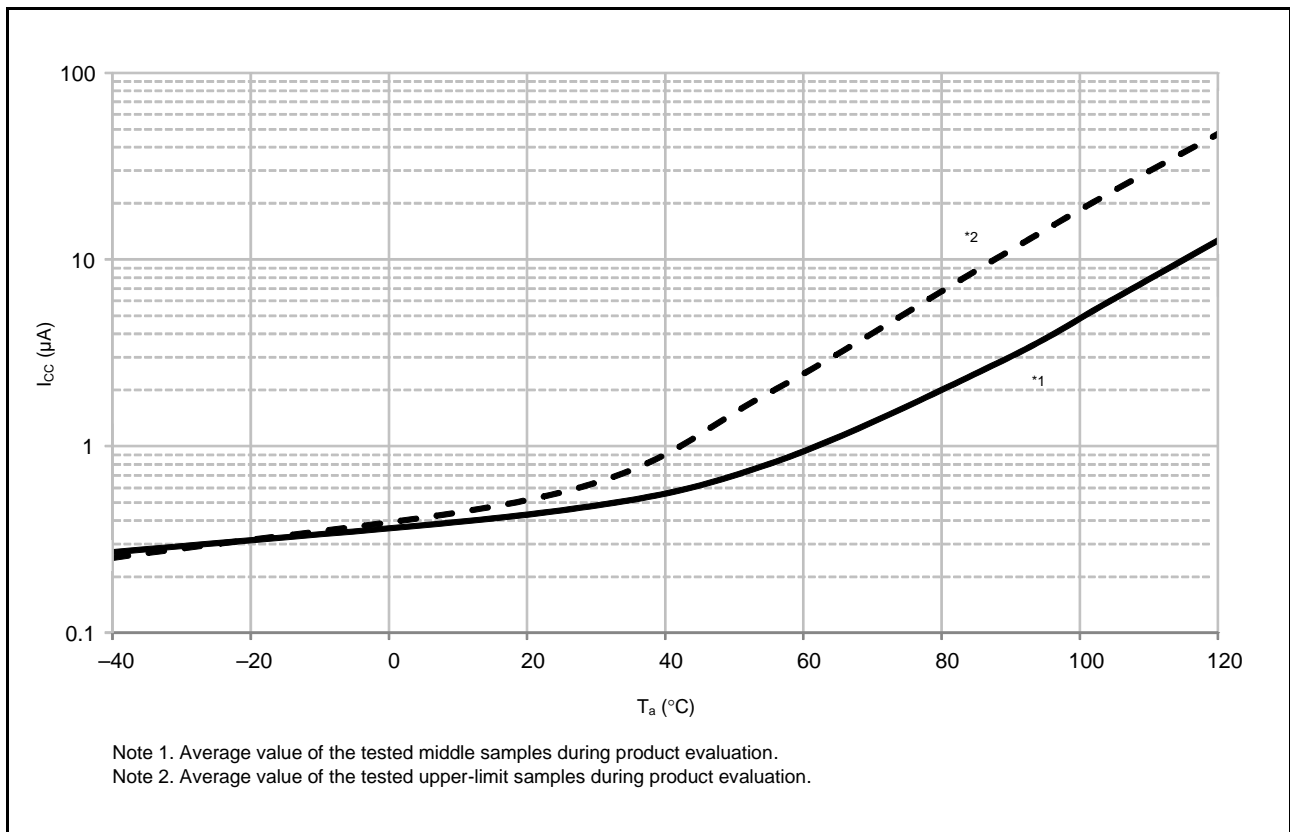


Figure 5.5 Temperature Dependency in Software Standby Mode (Reference Data)

Table 5.9 DC Characteristics (7)Conditions: $1.8\text{ V} \leq VCC = VCC_USB \leq 3.6\text{ V}$, $1.8\text{ V} \leq AVCC0 \leq 3.6\text{ V}$, $VSS = AVSS0 = VSS_USB = 0\text{ V}$

Item	Symbol	Typ.	Max.	Unit	Test Conditions
Permissible total consumption power*1	Pd	—	300	mW	D version ($T_a = -40$ to 85°C)
		—	105		G version ($T_a = -40$ to 105°C)*2

Note 1. Total power dissipated by the entire chip (including output currents).

Note 2. Please contact Renesas Electronics sales office for derating under $T_a = +85^\circ\text{C}$ to 105°C . Derating is the systematic reduction of load for the sake of improved reliability.**Table 5.10 DC Characteristics (8) (1/2)**Conditions: $1.8\text{ V} \leq VCC = VCC_USB \leq 3.6\text{ V}$, $1.8\text{ V} \leq AVCC0 \leq 3.6\text{ V}$, $VSS = AVSS0 = VSS_USB = 0\text{ V}$, $T_a = -40$ to $+105^\circ\text{C}$

Item		Symbol	Min.	Typ.*7	Max.	Unit	Test Conditions
Analog power supply current	During A/D conversion (at high-speed conversion)	I_{AVCC}	—	0.7	1.2	mA	
	During D/A conversion (per channel)		—	0.4	0.8		
	Waiting for A/D and D/A conversion (all units)		—	—	0.4	μA	
Reference power supply current	During A/D conversion (at high-speed conversion)	I_{REFH0}	—	25	52	μA	
	Waiting for A/D conversion (all units)		—	—	60	nA	
	During D/A conversion	I_{REFH}	—	50	100	μA	
	Waiting for D/A conversion (all units)		—	—	100	nA	
LDV1, 2	Per channel	I_{LVD}	—	0.15	—	μA	
Temperature sensor*6	—	I_{TEMP}	—	75	—	μA	
Comparator B operating current*6	Window mode	I_{CMP}^{*4}	—	12.5	—	μA	
	Comparator high-speed mode		—	6.5	—	μA	
	Comparator low-speed mode		—	1.7	—	μA	
LCD operating current*6	External resistance division method*8 $f_{LCD} = f_{SUB} = 128\text{ Hz}$, 1/3 bias, and 4-time slice	I_{LCD1}^{*5}	—	0.04	—	μA	
	Internal voltage boosting method (VLCD.VLCD = 04) $f_{LCD} = f_{SUB} = 128\text{ Hz}$, 1/3 bias, and 4-time slice	I_{LCD2}^{*5}	—	0.85	—	μA	
	Internal voltage boosting method (VLCD.VLCD = 12) $f_{LCD} = f_{SUB} = 128\text{ Hz}$, 1/3 bias, and 4-time slice	I_{LCD2}^{*5}	—	1.55	—	μA	
	Capacitor split method $f_{LCD} = f_{SUB} = 128\text{ Hz}$, 1/3 bias, and 4-time slice	I_{LCD3}^{*5}	—	0.20	—	μA	

Table 5.10 DC Characteristics (8) (2/2)Conditions: $1.8\text{ V} \leq \text{VCC} = \text{VCC_USB} \leq 3.6\text{ V}$, $1.8\text{ V} \leq \text{AVCC0} \leq 3.6\text{ V}$, $\text{VSS} = \text{AVSS0} = \text{VSS_USB} = 0\text{ V}$, $T_a = -40\text{ to }+105^\circ\text{C}$

Item	Symbol	Min.	Typ.*7	Max.	Unit	Test Conditions
USB operating current*3	During USB communication operation under the following settings and conditions <ul style="list-style-type: none"> Host controller operation is set to full-speed mode Bulk OUT transfer (64 bytes) × 1, bulk IN transfer (64 bytes) × 1 Connect peripheral devices via a 1-meter USB cable from the USB port. 	I_{USBH}^{*1}	—	4.3 (VCC) 0.9 (VCC_USB)*3	—	mA
	During USB communication operation under the following settings and conditions <ul style="list-style-type: none"> Function controller operation is set to full-speed mode Bulk OUT transfer (64 bytes) × 1, bulk IN transfer (64 bytes) × 1 Connect the host device via a 1-meter USB cable from the USB port. 	I_{USBF}^{*1}	—	3.6 (VCC) 1.1 (VCC_USB)*3	—	mA
	During suspended state under the following setting and conditions <ul style="list-style-type: none"> Function controller operation is set to full-speed mode (pull up the USB0_DP pin) Software standby mode Connect the host device via a 1-meter USB cable from the USB port. 	I_{SUSP}^{*2}	—	0.35 (VCC) 170 (VCC_USB)*3	—	μA
CTSU operating current	During measurement (CPU is in sleep mode) Base clock: 2 MHz Pin capacity: 50 pF	I_{CTSU}	—	150	—	μA

Note 1. Current consumed only by the USB module.

Note 2. Includes the current supplied from the pull-up resistor of the USB0_DP pin to the pull-down resistor of the host device, in addition to the current consumed by this MCU during the suspended state.

Note 3. Current consumed by the power supplies (VCC and VCC_USB).

Note 4. Current consumed only by the comparator B module.

Note 5. Current consumed only by the LCD module. Current when the LCD panel is not connected.

Note 6. Current consumed by the power supply (VCC).

Note 7. When $\text{VCC} = \text{AVCC0} = \text{VCC_USB} = 3.3\text{ V}$.

Note 8. It does not include the current that flows through external divider resistors.

Table 5.11 DC Characteristics (9)Conditions: $1.8\text{ V} \leq \text{VCC} = \text{VCC_USB} \leq 3.6\text{ V}$, $1.8\text{ V} \leq \text{AVCC0} \leq 3.6\text{ V}$, $\text{VSS} = \text{AVSS0} = \text{VSS_USB} = 0\text{ V}$, $T_a = -40\text{ to }+105^\circ\text{C}$

Item	Symbol	Min.	Typ.	Max.	Unit	Test Conditions
RAM standby voltage	V_{RAM}	1.8	—	—	V	

Table 5.12 DC Characteristics (10)Conditions: $0\text{ V} \leq \text{VCC} = \text{VCC_USB} \leq 3.6\text{ V}$, $\text{VSS} = \text{AVSS0} = \text{VSS_USB} = 0\text{ V}$, $T_a = -40\text{ to }+105^\circ\text{C}$

Item	Symbol	Min.	Typ.	Max.	Unit	Test Conditions
Power-on VCC rising gradient	At normal startup*1	0.02	—	20	ms/V	
	During fast startup time*2	0.02	—	2		
	Voltage monitoring 1 reset enabled at startup *3, *4	0.02	—	—		

Note: When powering on AVCC0 and VCC, power them on at the same time or VCC first.

Note 1. When $\text{OFS1}.\text{(STUPLVD1REN, FASTSTUP)} = 11\text{b}$.Note 2. When $\text{OFS1}.\text{(STUPLVD1REN, FASTSTUP)} = 10\text{b}$.Note 3. When $\text{OFS1}.\text{STUPLVD1REN} = 0$.

Note 4. Turn on the power supply voltage according to the normal startup rising gradient because the register settings set by OFS1 are not read in boot mode.

Table 5.13 DC Characteristics (11)

Conditions: $1.8\text{ V} \leq VCC = VCC_USB \leq 3.6\text{ V}$, $1.8\text{ V} \leq AVCC0 \leq 3.6\text{ V}$, $VSS = AVSS0 = VSS_USB = 0\text{ V}$, $T_a = -40\text{ to }+105^\circ\text{C}$

The ripple voltage must meet the allowable ripple frequency $f_{r(VCC)}$ within the range between the VCC upper limit (3.6 V) and lower limit (1.8 V).

When VCC change exceeds $VCC \pm 10\%$, the allowable voltage change rising/falling gradient $dt/dVCC$ must be met.

Item	Symbol	Min.	Typ.	Max.	Unit	Test Conditions
Allowable ripple frequency	$f_{r(VCC)}$	—	—	10	kHz	Figure 5.6 $V_{r(VCC)} \leq 0.2 \times VCC$
		—	—	1	MHz	Figure 5.6 $V_{r(VCC)} \leq 0.08 \times VCC$
		—	—	10	MHz	Figure 5.6 $V_{r(VCC)} \leq 0.06 \times VCC$
Allowable voltage change rising/falling gradient	$dt/dVCC$	1.0	—	—	ms/V	When VCC change exceeds $VCC \pm 10\%$

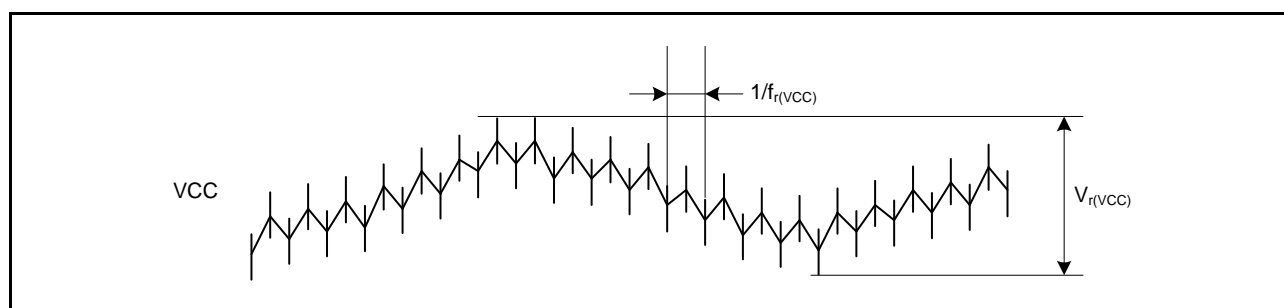


Figure 5.6 Ripple Waveform

Table 5.14 DC Characteristics (12)Conditions: $1.8\text{ V} \leq VCC = VCC_USB \leq 3.6\text{ V}$, $1.8\text{ V} \leq AVCC0 \leq 3.6\text{ V}$, $VSS = AVSS0 = VSS_USB = 0\text{ V}$, $T_a = -40\text{ to }+105^\circ\text{C}$

Item	Symbol	Min.
Decoupling capacitance to stabilize the internal voltage	C_{VCL}	4.7 μF +50/-70%*1

Note 1. Use a multilayer ceramic capacitor whose nominal capacitance is 4.7 μF and a capacitance tolerance is $\pm 30\%$ or better.**Table 5.15 Permissible Output Currents (1)**Conditions: $1.8\text{ V} \leq VCC = VCC_USB \leq 3.6\text{ V}$, $1.8\text{ V} \leq AVCC0 \leq 3.6\text{ V}$, $VSS = AVSS0 = VSS_USB = 0\text{ V}$,
 $T_a = -40\text{ to }+85^\circ\text{C}$ (D version)

Item	Symbol	Max.	Unit
Permissible output low current (average value per pin)	Ports P40 to P44, P46, ports P90 to P92, ports PJ6, PJ7	0.4	mA
	Ports other than above	8.0	
Permissible output low current (maximum value per pin)	Ports P40 to P44, P46, ports P90 to P92, ports PJ6, PJ7	0.4	8.0
	Ports other than above	8.0	
Permissible output low current	Total of ports P40 to P44, P46, ports P90 to P92, ports PJ6, PJ7	ΣI_{OL}	2.4
	Total of ports P02, P04, P07, P20 to P27, P30, P31, PJ0, PJ2, PJ3		30
	Total of ports P10 to P17, port P32, ports P50 to P56, ports PB0 to PB7, ports PC0 to PC7		30
	Total of ports PA0 to PA7, ports PD0 to PD4, ports PE0 to PE7, ports PF6, PF7		30
	Total of all output pins		60
Permissible output high current (average value per pin)	Ports P40 to P44, P46, ports P90 to P92, ports PJ6, PJ7	I_{OH}	-0.1
	Ports other than above		-4.0
Permissible output high current (maximum value per pin)	Ports P40 to P44, P46, ports P90 to P92, ports PJ6, PJ7		-0.1
	Ports other than above		-4.0
Permissible output high current	Total of ports P40 to P44, P46, ports P90 to P92, ports PJ6, PJ7	ΣI_{OH}	-0.6
	Total of ports P02, P04, P07, P20 to P27, P30, P31, PJ0, PJ2, PJ3		-10
	Total of ports P10 to P17, port P32, ports P50 to P56, ports PB0 to PB7, ports PC0 to PC7		-15
	Total of ports PA0 to PA7, ports PD0 to PD4, ports PE0 to PE7, ports PF6, PF7		-15
	Total of all output pins		-40

Note: Do not exceed the permissible total supply current.

Table 5.16 Permissible Output Currents (2)

Conditions: $1.8\text{ V} \leq V_{CC} = V_{CC_USB} \leq 3.6\text{ V}$, $1.8\text{ V} \leq AV_{CC0} \leq 3.6\text{ V}$, $V_{SS} = AV_{SS0} = V_{SS_USB} = 0\text{ V}$,
 $T_a = -40\text{ to }+105^\circ\text{C}$ (G version)

	Item	Symbol	Max.	Unit
Permissible output low current (average value per pin)	Ports P40 to P44, P46, ports P90 to P92, ports PJ6, PJ7	I_{OL}	0.4	mA
	Ports other than above		8.0	
Permissible output low current (maximum value per pin)	Ports P40 to P44, P46, ports P90 to P92, ports PJ6, PJ7		0.4	
	Ports other than above		8.0	
Permissible output low current	Total of ports P40 to P44, P46, ports P90 to P92, ports PJ6, PJ7	ΣI_{OL}	1.6	
	Total of ports P02, P04, P07, P20 to P27, P30, P31, PJ0, PJ2, PJ3		20	
	Total of ports P10 to P17, port P32, ports P50 to P56, ports PB0 to PB7, ports PC0 to PC7		20	
	Total of ports PA0 to PA7, ports PD0 to PD4, ports PE0 to PE7, ports PF6, PF7		20	
	Total of all output pins		40	
Permissible output high current (average value per pin)	Ports P40 to P44, P46, ports P90 to P92, ports PJ6, PJ7	I_{OH}	-0.1	
	Ports other than above		-4.0	
Permissible output high current (maximum value per pin)	Ports P40 to P44, P46, ports P90 to P92, ports PJ6, PJ7		-0.1	
	Ports other than above		-4.0	
Permissible output high current	Total of ports P40 to P44, P46, ports P90 to P92, ports PJ6, PJ7	ΣI_{OH}	-0.6	
	Total of ports P02, P04, P07, P20 to P27, P30, P31, PJ0, PJ2, PJ3		-10	
	Total of ports P10 to P17, port P32, ports P50 to P56, ports PB0 to PB7, ports PC0 to PC7		-15	
	Total of ports PA0 to PA7, ports PD0 to PD4, ports PE0 to PE7, ports PF6, PF7		-15	
	Total of all output pins		-40	

Note: Do not exceed the permissible total supply current.

Table 5.17 Output Values of Voltage (1)Conditions: $2.7\text{ V} \leq \text{VCC} = \text{VCC_USB} \leq 3.6\text{ V}$, $2.7\text{ V} \leq \text{AVCC0} \leq 3.6\text{ V}$, $\text{VSS} = \text{AVSS0} = \text{VSS_USB} = 0\text{ V}$, $T_a = -40\text{ to }+105^\circ\text{C}$

Item		Symbol	Min.	Max.	Unit	Test Conditions		
Low-level output voltage	All output ports (except for RIIC, ports P40 to P44, P46, ports P90 to P92, ports PJ6, PJ7)	V_{OL}	—	0.6	V	$I_{OL} = 3.0\text{ mA}$		
			—	0.4		$I_{OL} = 1.5\text{ mA}$		
	Ports P40 to P44, P46, ports P90 to P92, ports PJ6, PJ7		—	0.4		$I_{OL} = 0.4\text{ mA}$		
			RIIC pins	Standard mode		—	0.4	$I_{OL} = 3.0\text{ mA}$
				Fast mode		—	0.6	$I_{OL} = 6.0\text{ mA}$
High-level output voltage	All output ports (except for ports P40 to P44, P46, ports P90 to P92, ports PJ6, PJ7)*1	V_{OH}	$\text{VCC} - 0.5$	—	V	$I_{OH} = -2.0\text{ mA}$		
	Ports P40 to P44, P46, ports P90 to P92, ports PJ6, PJ7		$\text{AVCC0} - 0.5$	—		$I_{OH} = -0.1\text{ mA}$		

Note 1. There are restrictions on AVCC0 and VCC depending on the usage conditions for the 12-bit D/A converter and I/O ports. When using ports PJ0 and PJ2 multiplexed with DA0 and DA1 as general I/O ports, make sure that $\text{VCC} \leq \text{AVCC0}$.

Table 5.18 Output Values of Voltage (2)Conditions: $1.8\text{ V} \leq \text{VCC} = \text{VCC_USB} \leq 2.7\text{ V}$, $1.8\text{ V} \leq \text{AVCC0} \leq 2.7\text{ V}$, $\text{VSS} = \text{AVSS0} = \text{VSS_USB} = 0\text{ V}$, $T_a = -40\text{ to }+105^\circ\text{C}$

Item		Symbol	Min.	Max.	Unit	Test Conditions
Low-level output voltage	All output ports (except for ports P40 to P44, P46, ports P90 to P92, ports PJ6, PJ7)	V_{OL}	—	0.6	V	$I_{OL} = 1.5\text{ mA}$
	Ports P40 to P44, P46, ports P90 to P92, ports PJ6, PJ7		—	0.4		$I_{OL} = 0.4\text{ mA}$
High-level output voltage	All output ports (except for ports P40 to P44, P46, ports P90 to P92, ports PJ6, PJ7)*1	V_{OH}	$\text{VCC} - 0.5$	—	V	$I_{OH} = -1.0\text{ mA}$
	Ports P40 to P44, P46, ports P90 to P92, ports PJ6, PJ7		$\text{AVCC0} - 0.5$	—		$I_{OH} = -0.1\text{ mA}$

Note 1. There are restrictions on AVCC0 and VCC depending on the usage conditions for the 12-bit D/A converter and I/O ports. When using ports PJ0 and PJ2 multiplexed with DA0 and DA1 as general I/O ports, make sure that $\text{VCC} \leq \text{AVCC0}$.

5.2.1 Standard I/O Pin Output Characteristics (1)

Figure 5.7 to Figure 5.10 show the characteristics of general ports (except for the RIIC output pin, ports P40 to P44, P46, ports P90 to P92, ports PJ6, PJ7).

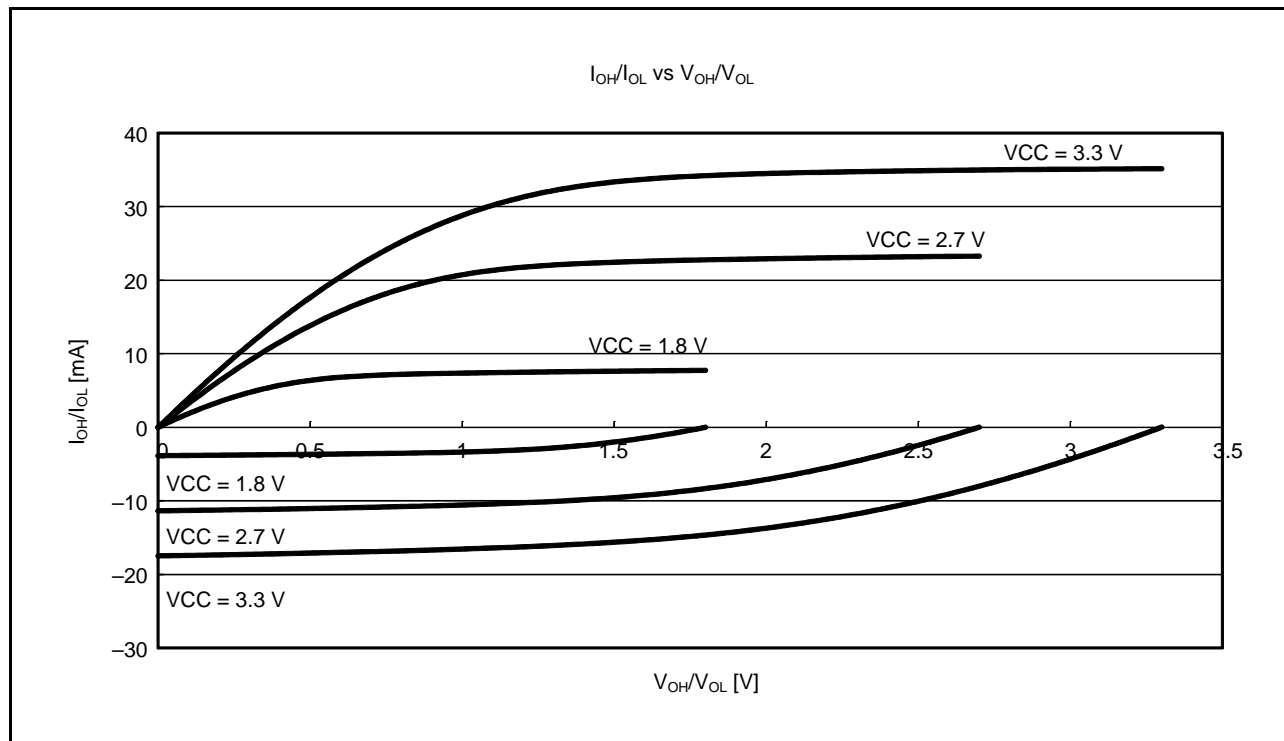


Figure 5.7 V_{OH}/V_{OL} and I_{OH}/I_{OL} Voltage Characteristics of General Ports (Except for RIIC Output Pin, Ports P40 to P44, P46, Ports P90 to P92, Ports PJ6, PJ7) at T_a = 25°C (Reference Data)

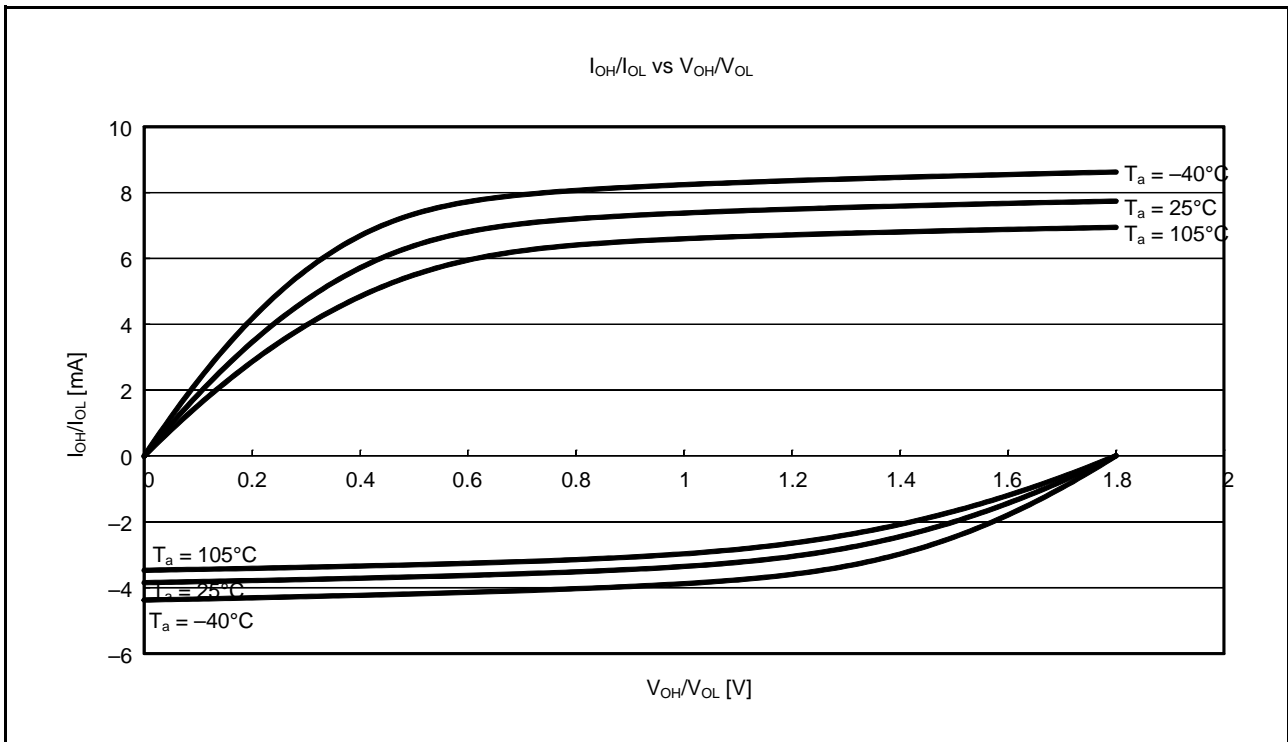


Figure 5.8 V_{OH}/V_{OL} and I_{OH}/I_{OL} Temperature Characteristics of General Ports (Except for RIIC Output Pin, Ports P40 to P44, P46, Ports P90 to P92, Ports PJ6, PJ7) at $V_{CC} = 1.8$ V (Reference Data)

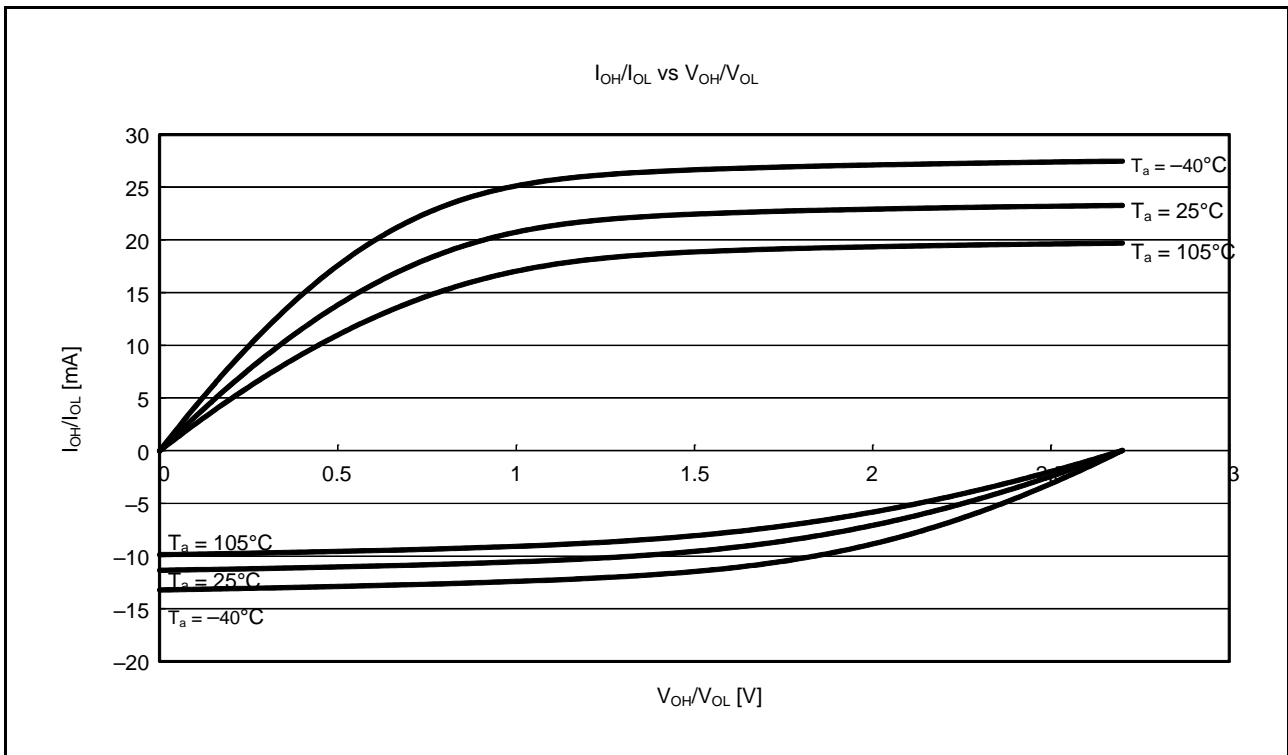


Figure 5.9 V_{OH}/V_{OL} and I_{OH}/I_{OL} Temperature Characteristics of General Ports (Except for RIIC Output Pin, Ports P40 to P44, P46, Ports P90 to P92, Ports PJ6, PJ7) at $V_{CC} = 2.7$ V (Reference Data)

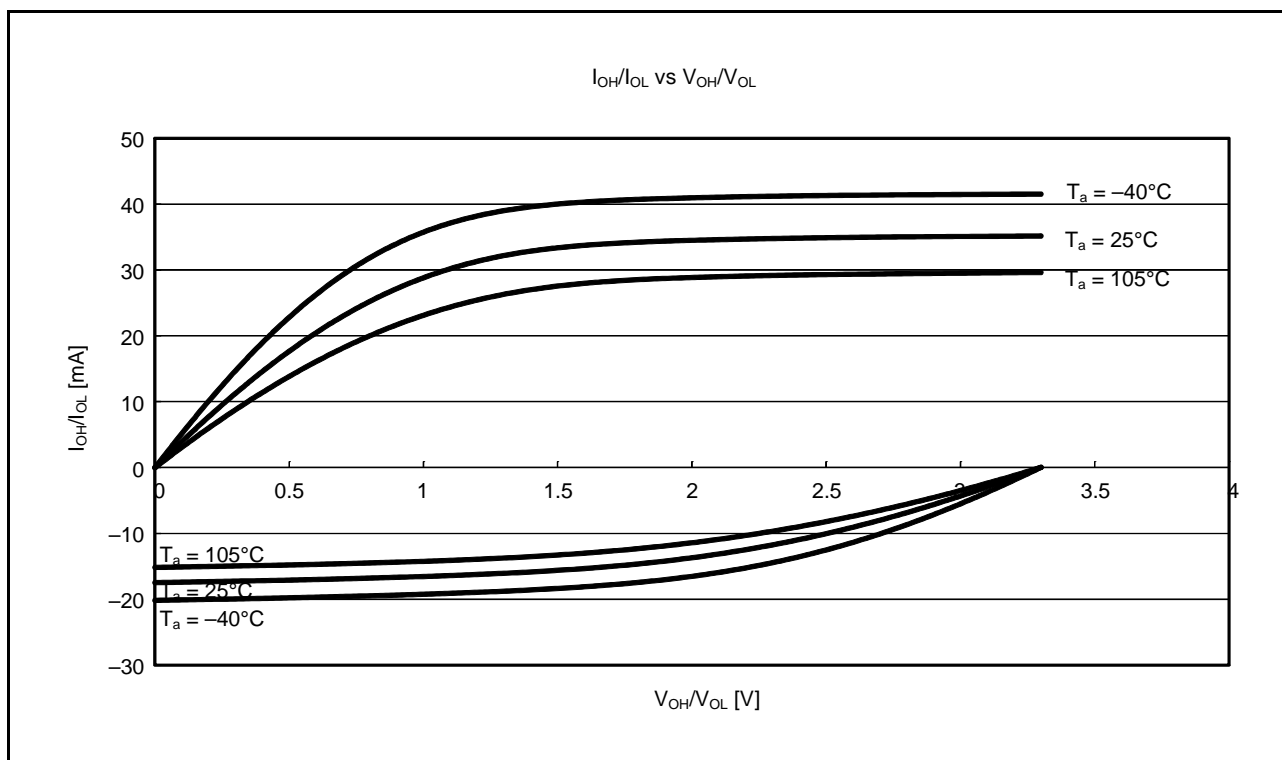


Figure 5.10 V_{OH}/V_{OL} and I_{OH}/I_{OL} Temperature Characteristics of General Ports (Except for RIIC Output Pin, Ports P40 to P44, P46, Ports P90 to P92, Ports PJ6, PJ7) at $V_{CC} = 3.3\text{ V}$ (Reference Data)

5.2.2 Standard I/O Pin Output Characteristics (2)

Figure 5.11 to Figure 5.13 show the characteristics of the RIIC output pin.

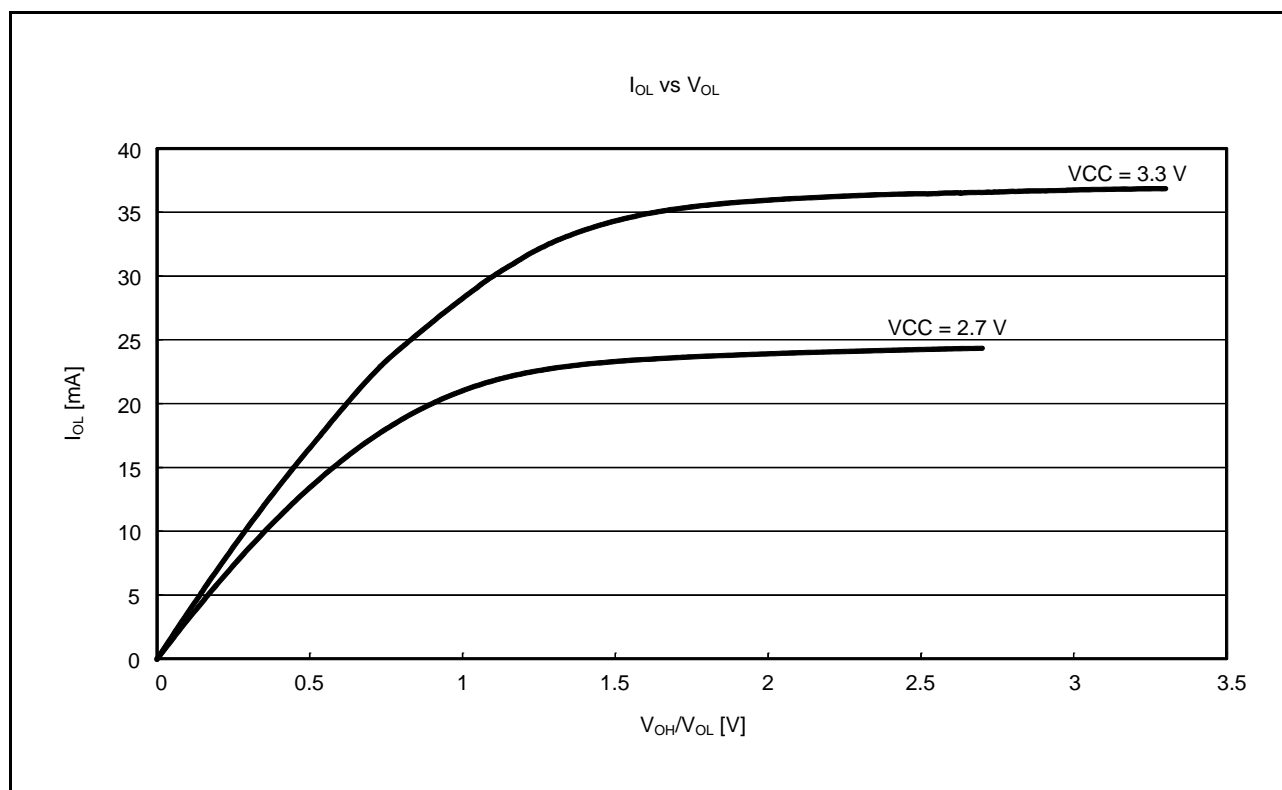


Figure 5.11 V_{OL} and I_{OL} Voltage Characteristics of RIIC Output Pin at $T_a = 25^\circ\text{C}$ (Reference Data)

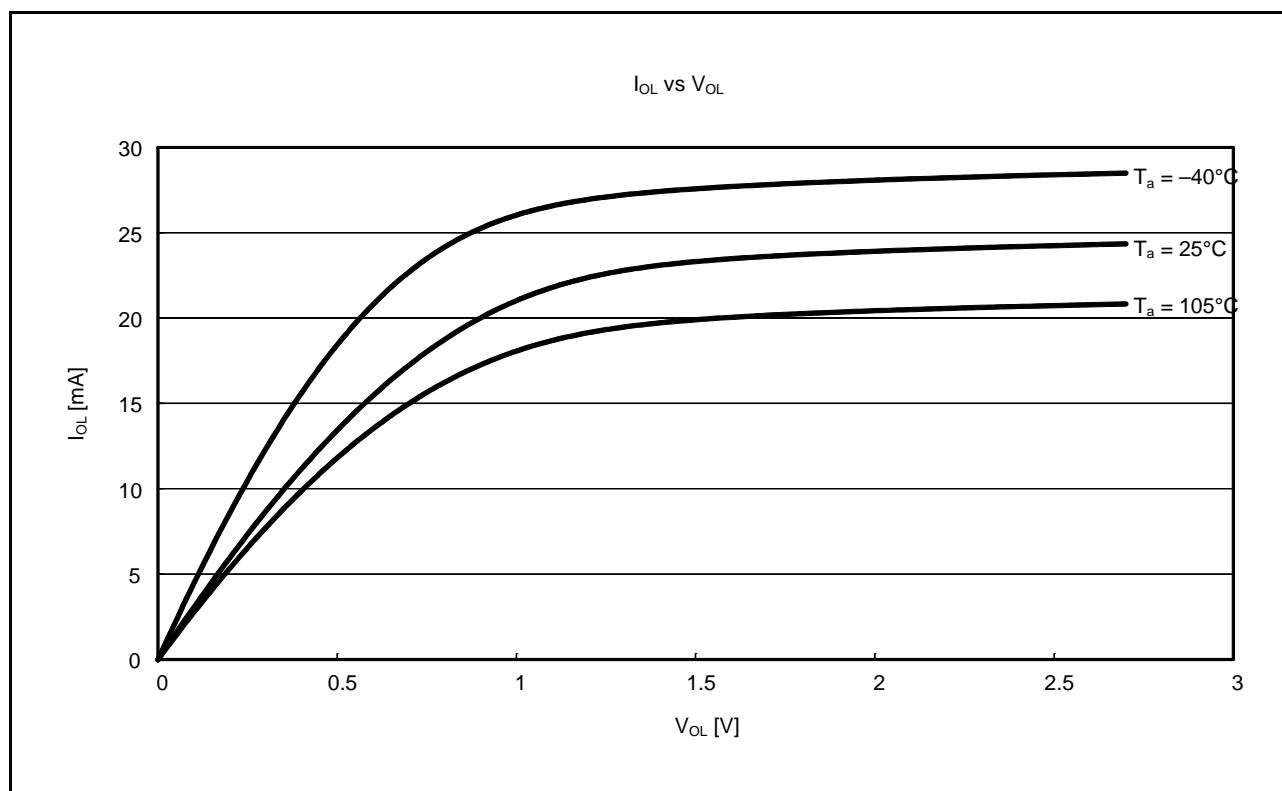


Figure 5.12 V_{OL} and I_{OL} Temperature Characteristics of RIIC Output Pin at $V_{CC} = 2.7\text{ V}$ (Reference Data)

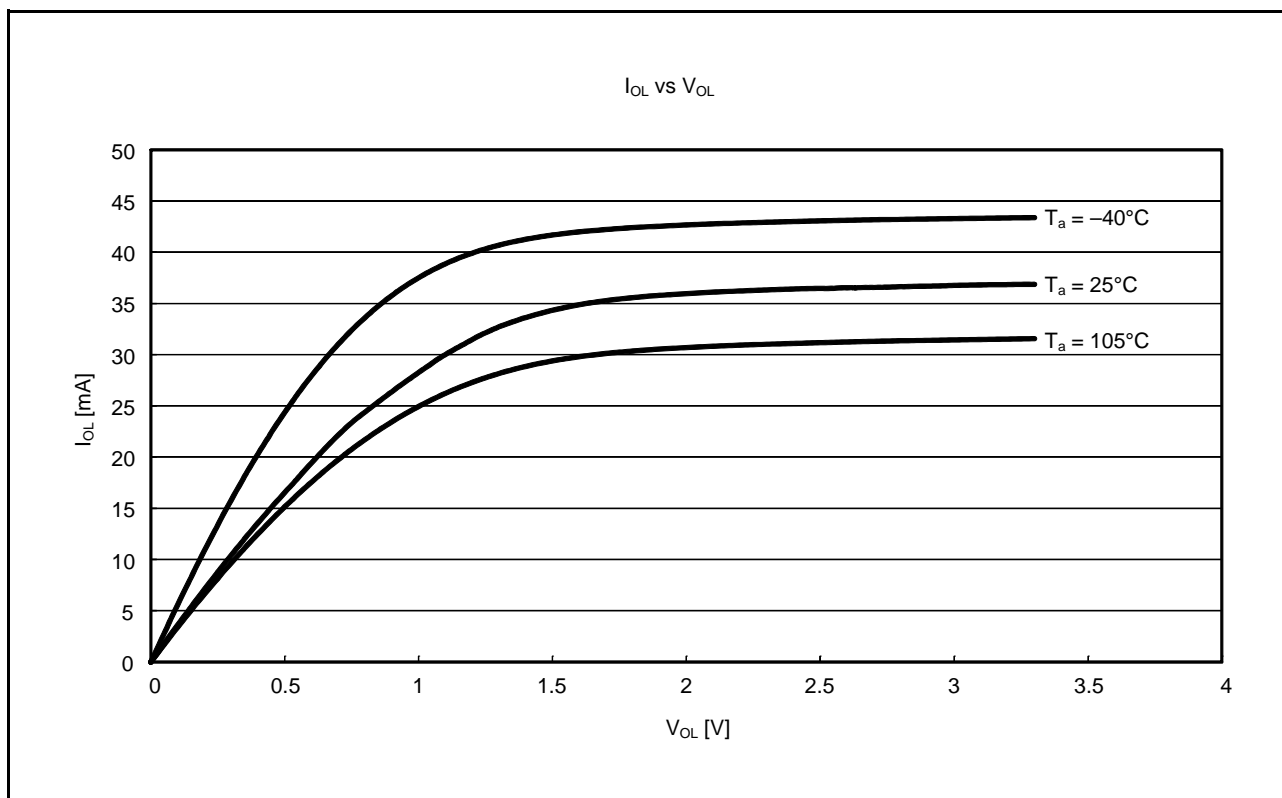


Figure 5.13 V_{OL} and I_{OL} Temperature Characteristics of RIIC Output Pin at VCC = 3.3 V (Reference Data)

5.2.3 Standard I/O Pin Output Characteristics (3)

Figure 5.14 to Figure 5.17 show the characteristics of ports P40 to P44, P46, ports P90 to P92, ports PJ6, PJ7.

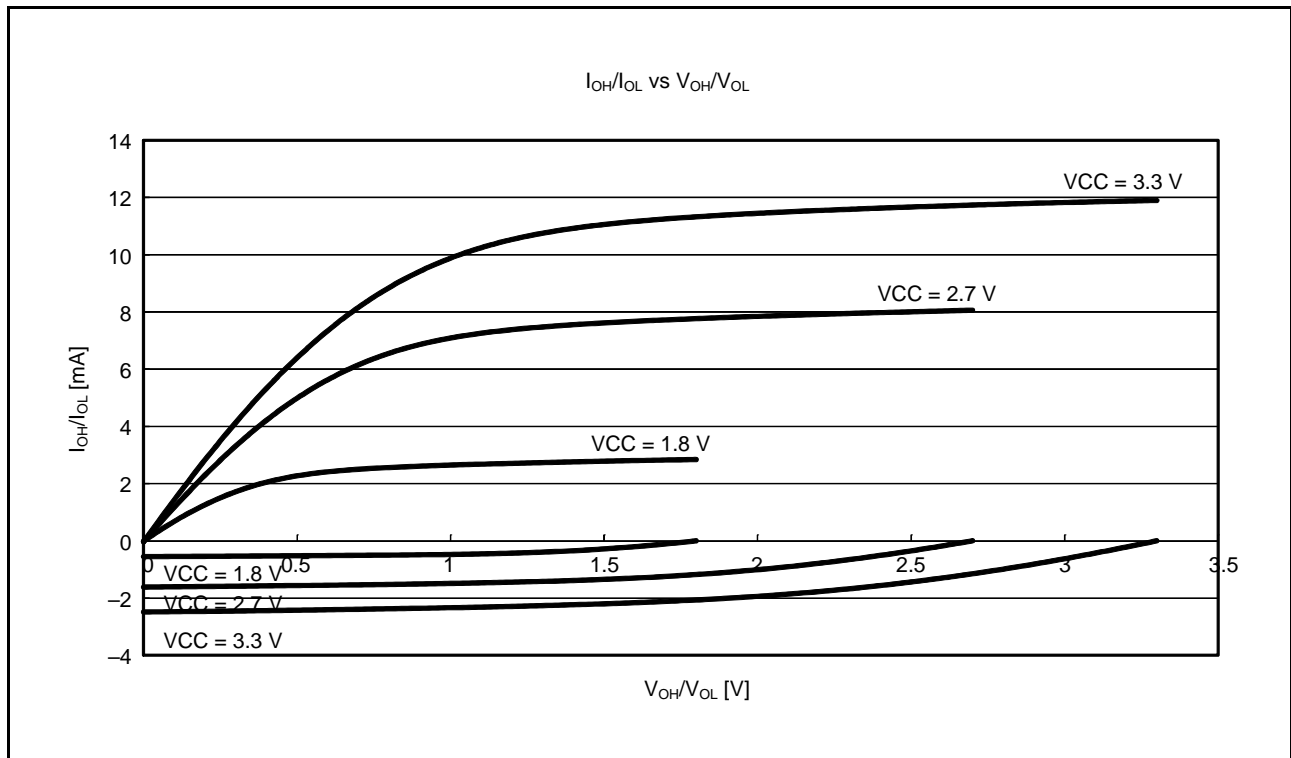


Figure 5.14 V_{OH}/V_{OL} and I_{OH}/I_{OL} Voltage Characteristics of Ports P40 to P44, P46, Ports P90 to P92, Ports PJ6, PJ7 at $T_a = 25^\circ\text{C}$ (Reference Data)

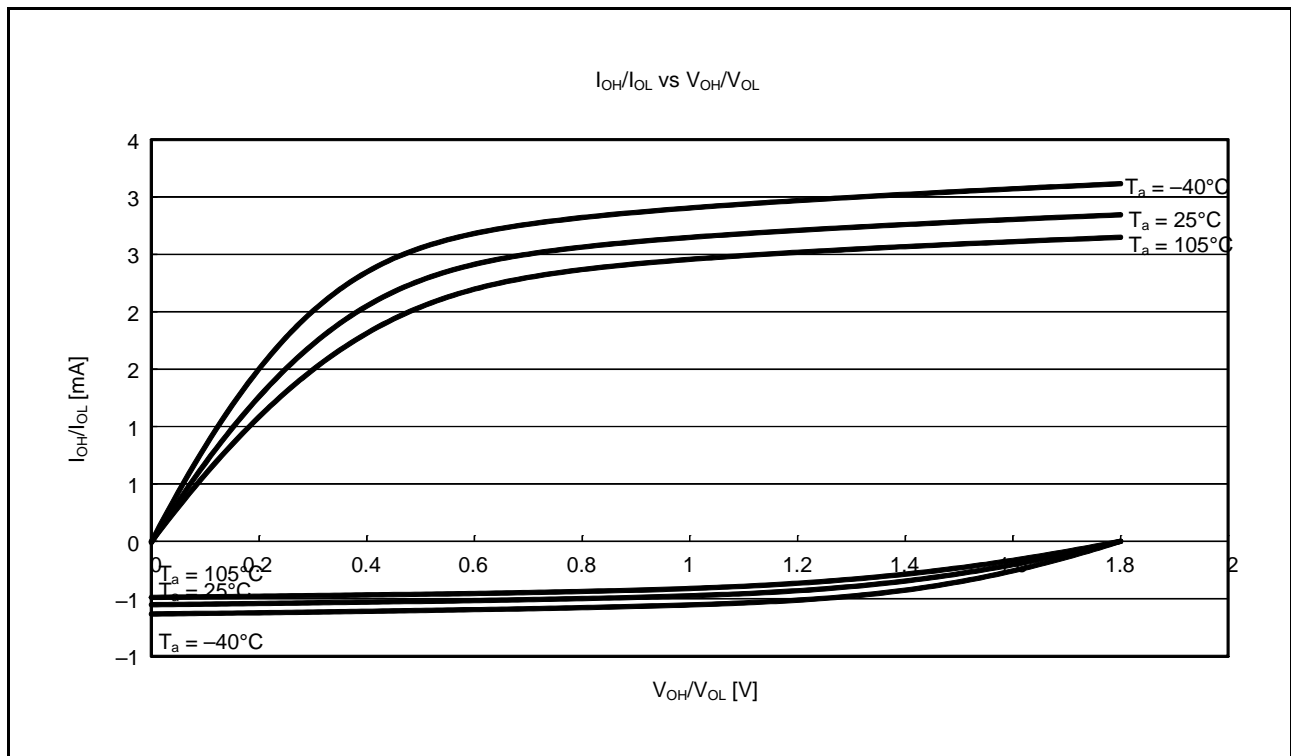


Figure 5.15 V_{OH}/V_{OL} and I_{OH}/I_{OL} Temperature Characteristics of Ports P40 to P44, P46, Ports P90 to P92, Ports PJ6, PJ7 at $V_{CC} = 1.8\text{ V}$ (Reference Data)

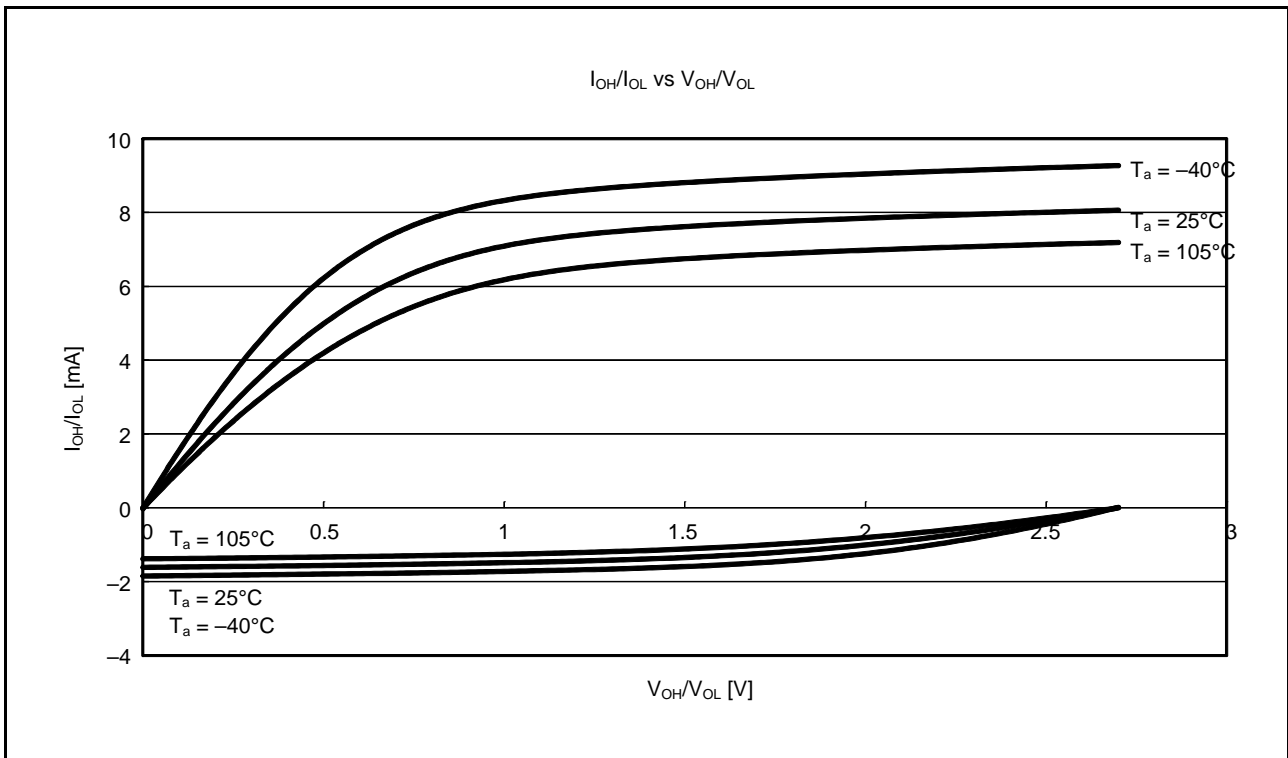


Figure 5.16 V_{OH}/V_{OL} and I_{OH}/I_{OL} Temperature Characteristics of Ports P40 to P44, P46, Ports P90 to P92, Ports PJ6, PJ7 at $V_{CC} = 2.7\text{ V}$ (Reference Data)

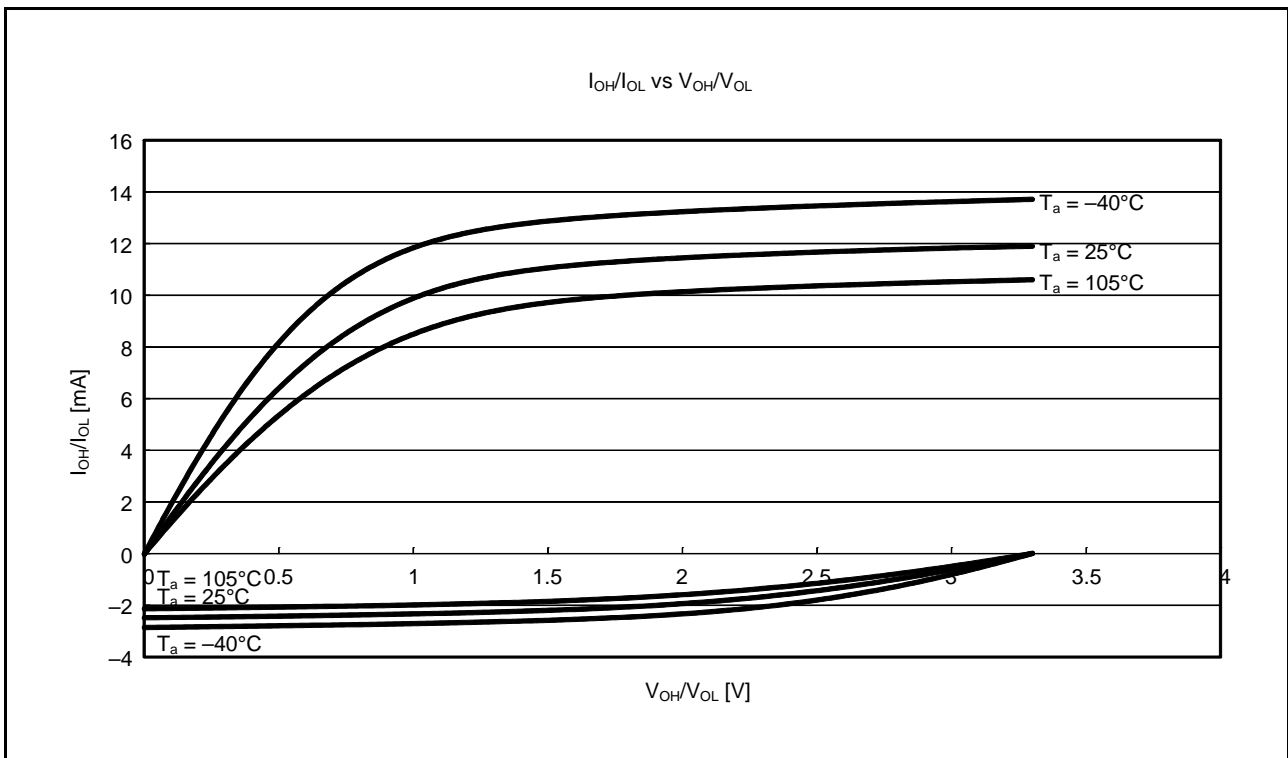


Figure 5.17 V_{OH}/V_{OL} and I_{OH}/I_{OL} Temperature Characteristics of Ports P40 to P44, P46, Ports P90 to P92, Ports PJ6, PJ7 at $V_{CC} = 3.3\text{ V}$ (Reference Data)

5.3 AC Characteristics

5.3.1 Clock Timing

Table 5.19 Operation Frequency Value (High-Speed Operating Mode)

Conditions: $1.8\text{ V} \leq VCC = VCC_USB \leq 3.6\text{ V}$, $1.8\text{ V} \leq AVCC0 \leq 3.6\text{ V}$, $VSS = AVSS0 = VSS_USB = 0\text{ V}$, $T_a = -40\text{ to }+105^\circ\text{C}$

Item		Symbol	VCC				Unit
			1.8 to 2.4 V	2.4 to 2.7 V	2.7 to 3.6 V	When USB in Use*4	
Maximum operating frequency	System clock (ICLK)	f_{max}	8	16	32	32	MHz
	FlashIF clock (FCLK)*1, *2		8	16	32	32	
	Peripheral module clock (PCLKB)		8	16	32	32	
	Peripheral module clock (PCLKD)*3		8	16	32	32	
	USB clock (UCLK)	f_{usb}	—	—	—	48	

Note 1. The lower-limit frequency of FCLK is 1 MHz during programming or erasing of the flash memory. When using FCLK at below 4 MHz, the frequency can be set to 1 MHz, 2 MHz, or 3 MHz. A non-integer frequency such as 1.5 MHz cannot be set.

Note 2. The frequency accuracy of FCLK should be $\pm 3.5\%$. Confirm the frequency accuracy of the clock source.

Note 3. The lower-limit frequency of PCLKD is 4 MHz at 2.4 V or above and 1 MHz at below 2.4 V when the A/D converter is in use.

Note 4. The VCC_USB range is 3.0 to 3.6 V when the USB clock is in use.

Table 5.20 Operation Frequency Value (Middle-Speed Operating Mode)

Conditions: $1.8\text{ V} \leq VCC = VCC_USB \leq 3.6\text{ V}$, $1.8\text{ V} \leq AVCC0 \leq 3.6\text{ V}$, $VSS = AVSS0 = VSS_USB = 0\text{ V}$, $T_a = -40\text{ to }+105^\circ\text{C}$

Item		Symbol	VCC				Unit
			1.8 to 2.4 V	2.4 to 2.7 V	2.7 to 3.6 V	When USB in Use*4	
Maximum operating frequency	System clock (ICLK)	f_{max}	8	12	12	12	MHz
	FlashIF clock (FCLK)*1, *2		8	12	12	12	
	Peripheral module clock (PCLKB)		8	12	12	12	
	Peripheral module clock (PCLKD)*3		8	12	12	12	
	USB clock (UCLK)	f_{usb}	—	—	—	48	

Note 1. The lower-limit frequency of FCLK is 1 MHz during programming or erasing of the flash memory. When using FCLK at below 4 MHz, the frequency can be set to 1 MHz, 2 MHz, or 3 MHz. A non-integer frequency such as 1.5 MHz cannot be set.

Note 2. The frequency accuracy of FCLK should be $\pm 3.5\%$.

Note 3. The lower-limit frequency of PCLKD is 4 MHz at 2.4 V or above and 1 MHz at below 2.4 V when the A/D converter is in use.

Note 4. The VCC_USB range is 3.0 to 3.6 V when the USB clock is in use.

Table 5.21 Operation Frequency Value (Low-Speed Operating Mode)

Conditions: $1.8\text{ V} \leq VCC = VCC_USB \leq 3.6\text{ V}$, $1.8\text{ V} \leq AVCC0 \leq 3.6\text{ V}$, $VSS = AVSS0 = VSS_USB = 0\text{ V}$, $T_a = -40\text{ to }+105^\circ\text{C}$

Item		Symbol	VCC			Unit
			1.8 to 2.4 V	2.4 to 2.7 V	2.7 to 3.6 V	
Maximum operating frequency	System clock (ICLK)	f_{max}	32.768			kHz
	FlashIF clock (FCLK)*1		32.768			
	Peripheral module clock (PCLKB)		32.768			
	Peripheral module clock (PCLKD)*2		32.768			

Note 1. Programming and erasing the flash memory is impossible.

Note 2. The A/D converter cannot be used.

Table 5.22 Clock TimingConditions: $1.8\text{ V} \leq \text{VCC} = \text{VCC_USB} \leq 3.6\text{ V}$, $1.8\text{ V} \leq \text{AVCC0} \leq 3.6\text{ V}$, $\text{VSS} = \text{AVSS0} = \text{VSS_USB} = 0\text{ V}$, $T_a = -40\text{ to }+105^\circ\text{C}$

Item	Symbol	Min.	Typ.	Max.	Unit	Test Conditions	
XTAL external clock input cycle time	t_{Xcyc}	50	—	—	ns	Figure 5.18	
XTAL external clock input high pulse width	t_{XH}	20	—	—	ns		
XTAL external clock input low pulse width	t_{XL}	20	—	—	ns		
XTAL external clock rising time	t_{Xr}	—	—	5	ns		
XTAL external clock falling time	t_{Xf}	—	—	5	ns		
XTAL external clock input wait time*1	t_{EXWT}	0.5	—	—	μs	Figure 5.19	
Main clock oscillator oscillation frequency	f_{MAIN}	$2.4 \leq \text{VCC} \leq 3.6$	1	—	20		MHz
		$1.8 \leq \text{VCC} < 2.4$	1	—	8		
Main clock oscillator stabilization time (crystal)*2	t_{MAINOSC}	—	3	—	ms	Figure 5.19	
Main clock oscillator stabilization time (ceramic resonator)*2	t_{MAINOSC}	—	50	—	μs		
LOCO clock oscillation frequency	f_{LOCO}	3.44	4.0	4.56	MHz	Figure 5.20	
LOCO clock oscillation stabilization time	t_{LOCO}	—	—	0.5	μs		
IWDT-dedicated clock oscillation frequency	f_{ILOCO}	12.75	15	17.25	kHz	Figure 5.21	
IWDT-dedicated clock oscillation stabilization time	t_{ILOCO}	—	—	50	μs		
HOCO clock oscillation frequency	f_{HOCO}		31.52	32	32.48	MHz	$T_a = -40\text{ to }85^\circ\text{C}$
			31.68	32	32.32		$T_a = -20\text{ to }85^\circ\text{C}$
			31.36	32	32.64		$T_a = -40\text{ to }105^\circ\text{C}$
HOCO clock oscillation stabilization time	t_{HOCO}	—	—	56	μs	Figure 5.23	
PLL input frequency*3	f_{PLLIN}	4	—	8	MHz	Figure 5.24	
PLL circuit oscillation frequency*3	f_{PLL}	32	—	48	MHz		
PLL clock oscillation stabilization time	t_{PLL}	—	—	50	μs	Figure 5.24	
PLL free-running oscillation frequency	f_{PLLFR}	—	8	—	MHz		
USBPLL input frequency*5	f_{PLLIN}	—	6, 8*6	—	MHz		
USBPLL circuit oscillation frequency*5	f_{PLL}	—	48*6	—	MHz		
USBPLL clock oscillation stabilization time	t_{PLL}	—	—	50	μs	Figure 5.24	
Sub-clock oscillator oscillation frequency*7	f_{SUB}	—	32.768	—	kHz		
Sub-clock oscillation stabilization time*4	t_{SUBOSC}	—	0.5	—	s	Figure 5.25	

Note 1. Time until the clock can be used after the main clock oscillator stop bit (MOSCCR.MOSTP) is set to 0 (operating) when the external clock is stable.

Note 2. Reference values when an 8-MHz resonator is used.

When specifying the main clock oscillator stabilization time, set the MOSCWTCR register with a stabilization time value that is equal to or greater than the resonator-manufacturer-recommended value.

After changing the setting of the MOSCCR.MOSTP bit so that the main clock oscillator operates, read the OSCOVFSR.MOOVF flag to confirm that it has become 1, and then start using the main clock.

Note 3. The VCC range should be 2.4 to 3.6 V when the PLL is used.

Note 4. After changing the setting of the SOSCCR.SOSTP bit or RCR3.RTCEN bit so that the sub-clock oscillator operates, only start using the sub-clock after the sub-clock oscillation stabilization wait time that is equal to or greater than the oscillator-manufacturer-recommended value has elapsed.

Reference value when a 32.768-kHz resonator is used.

Note 5. The VCC range should be 3.0 to 3.6 V when the USBPLL is used.

Note 6. The input frequency can be set to 6 or 8 MHz only and the oscillation frequency can be set to 48 MHz only.

Note 7. Only 32.768 kHz can be used.

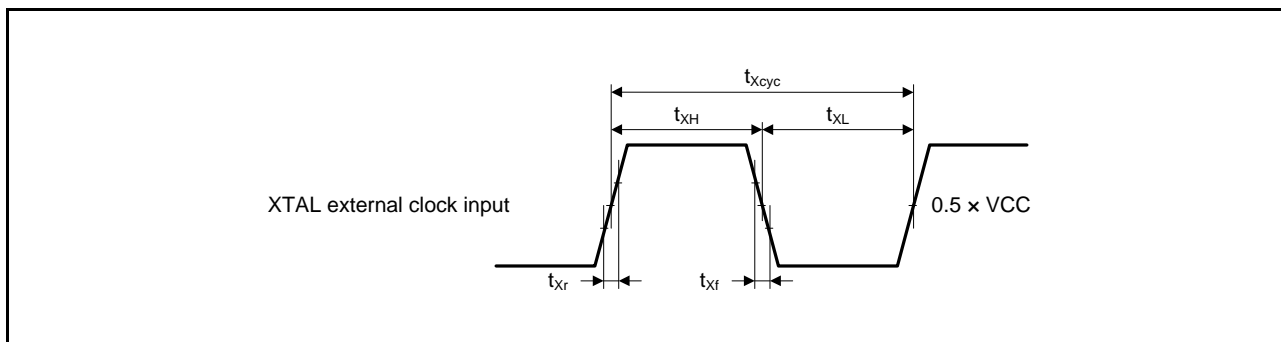


Figure 5.18 XTAL External Clock Input Timing

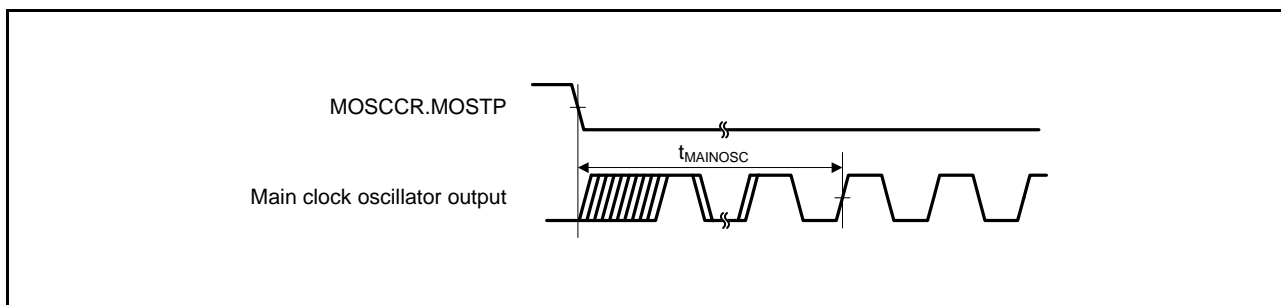


Figure 5.19 Main Clock Oscillation Start Timing

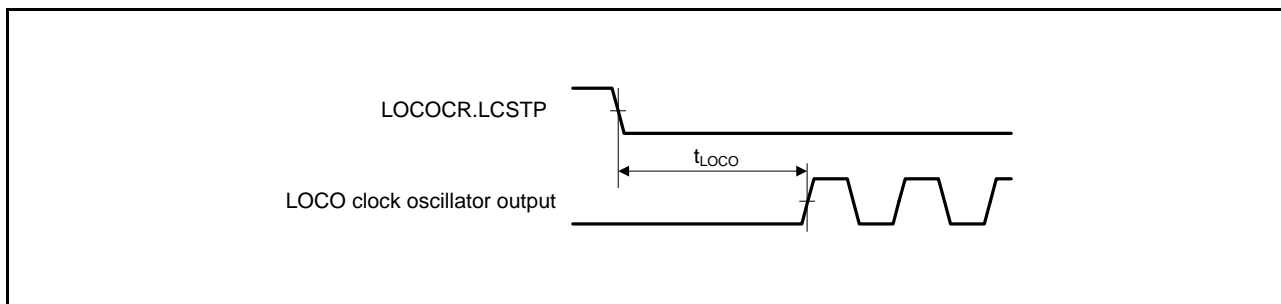


Figure 5.20 LOCO Clock Oscillation Start Timing

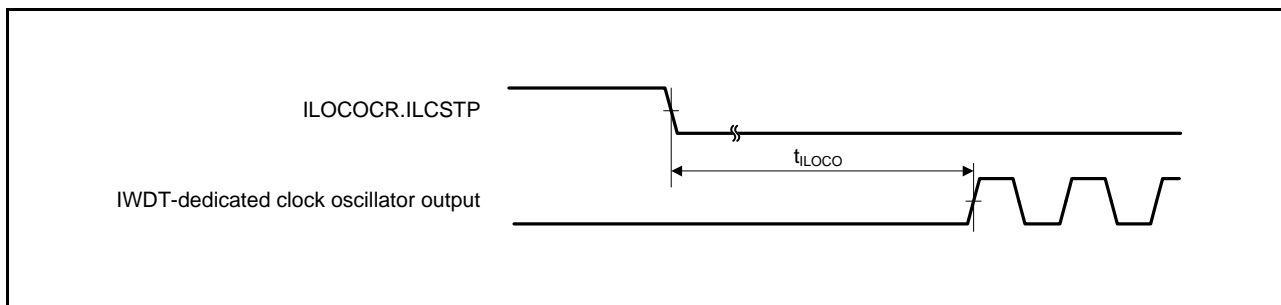


Figure 5.21 IWDT-Dedicated Clock Oscillation Start Timing

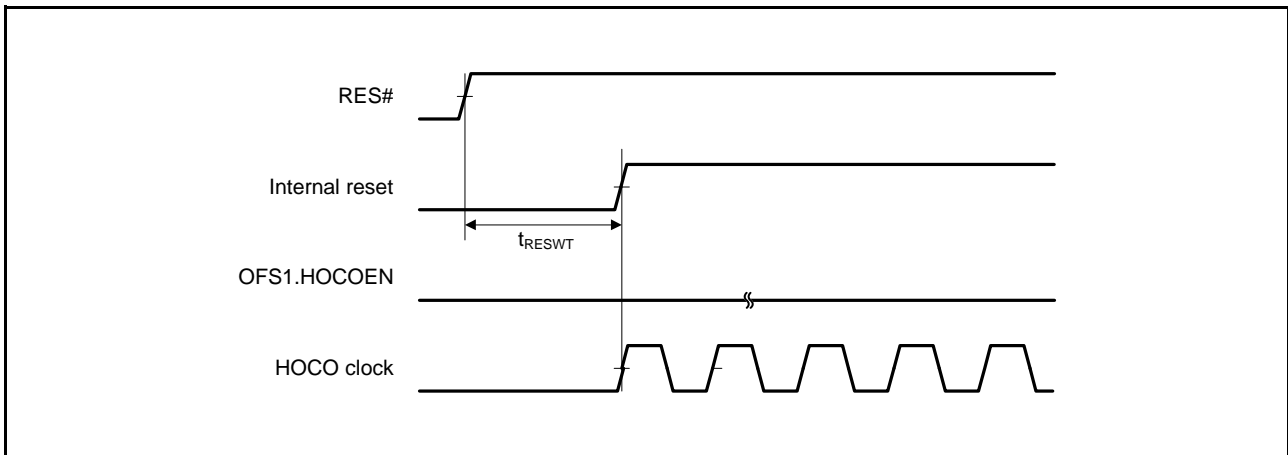


Figure 5.22 HOCO Clock Oscillation Start Timing (After Reset is Canceled by Setting OFS1.HOCOEN Bit to 0)

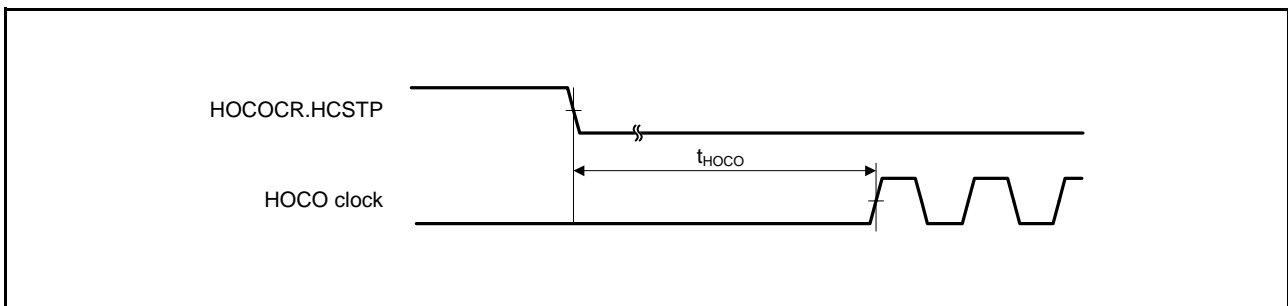


Figure 5.23 HOCO Clock Oscillation Start Timing (Oscillation is Started by Setting HOCOCR.HCSTP Bit)

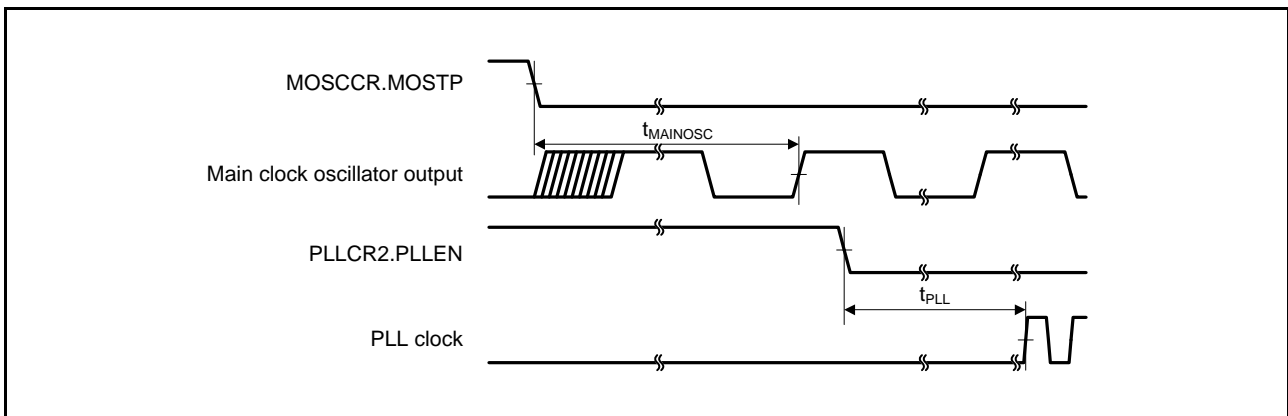


Figure 5.24 PLL Clock Oscillation Start Timing (PLL is Operated after Main Clock Oscillation Has Settled)

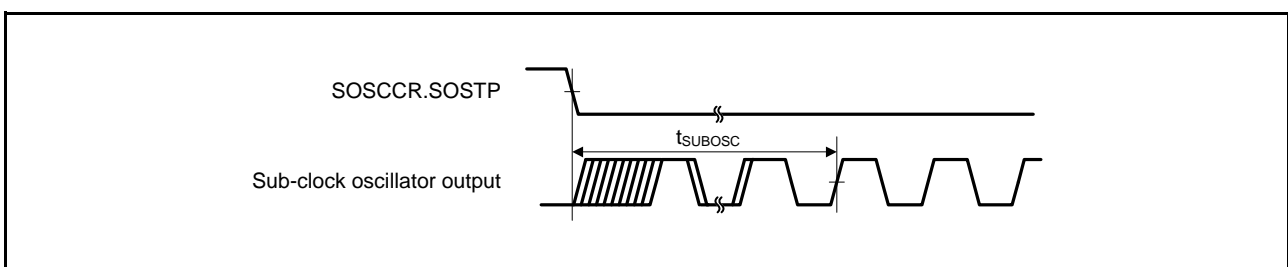


Figure 5.25 Sub-Clock Oscillation Start Timing

5.3.2 Reset Timing

Table 5.23 Reset Timing

Conditions: $1.8\text{ V} \leq VCC = VCC_USB \leq 3.6\text{ V}$, $1.8\text{ V} \leq AVCC0 \leq 3.6\text{ V}$, $VSS = AVSS0 = VSS_USB = 0\text{ V}$, $T_a = -40\text{ to }+105^\circ\text{C}$

Item	Symbol	Min.	Typ.	Max.	Unit	Test Conditions	
RES# pulse width	At power-on	t_{RESWP}	3	—	—	ms	Figure 5.26
	Other than above	t_{RESW}	30	—	—	μs	Figure 5.27
Wait time after RES# cancellation (at power-on)	At normal startup*1	t_{RESWT}	—	8.5	—	ms	Figure 5.26
	During fast startup time*2	t_{RESWT}	—	560	—	μs	
Wait time after RES# cancellation (during powered-on state)	t_{RESWT}	—	114	—	μs	Figure 5.27	
Independent watchdog timer reset period	t_{RESWIW}	—	1	—	IWDT clock cycle	Figure 5.28	
Software reset period	t_{RESWSW}	—	1	—	ICLK cycle		
Wait time after independent watchdog timer reset cancellation*3	t_{RESW2}	—	300	—	μs		
Wait time after software reset cancellation	t_{RESW2}	—	168	—	μs		

Note 1. When OFS1.(STUPLVD1REN, FASTSTUP) = 11b.

Note 2. When OFS1.(STUPLVD1REN, FASTSTUP) \neq 11b.

Note 3. When IWDTCR.CKS[3:0] = 0000b.

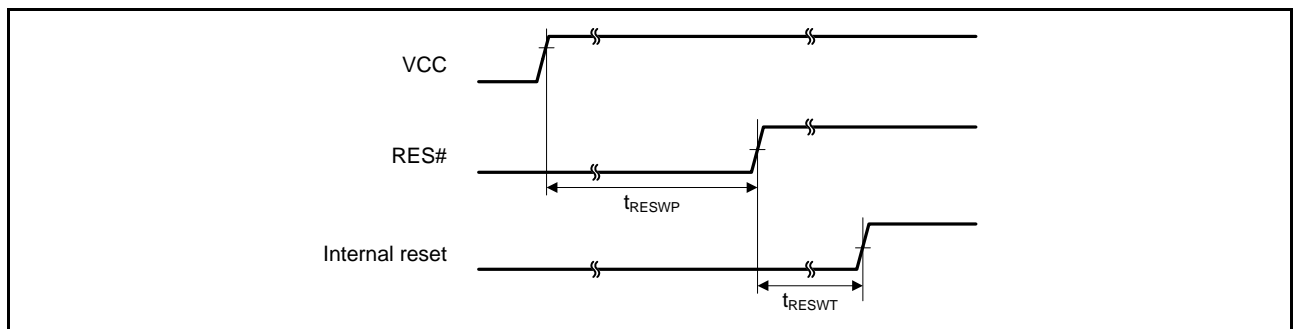


Figure 5.26 Reset Input Timing at Power-On

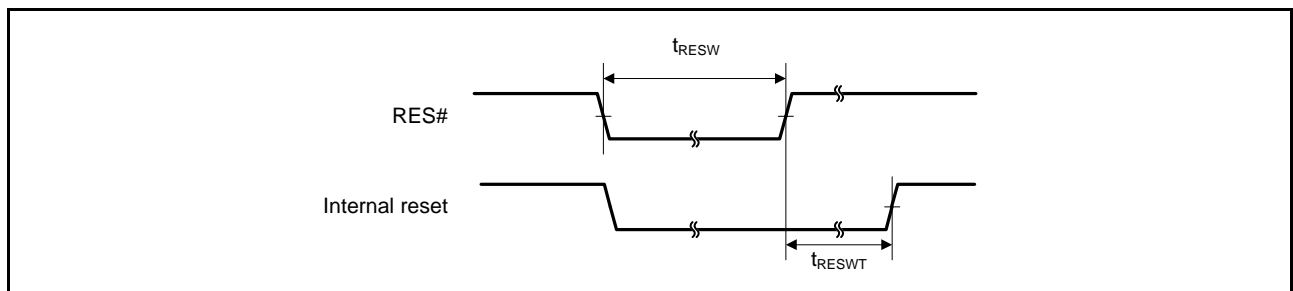


Figure 5.27 Reset Input Timing (1)

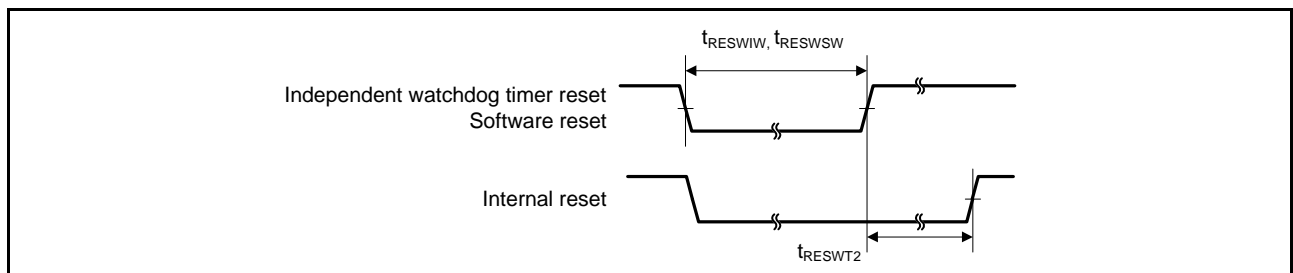


Figure 5.28 Reset Input Timing (2)

5.3.3 Timing of Recovery from Low Power Consumption Modes

Table 5.24 Timing of Recovery from Low Power Consumption Modes (1)

Conditions: $1.8\text{ V} \leq V_{CC} = V_{CC_USB} \leq 3.6\text{ V}$, $1.8\text{ V} \leq AV_{CC0} \leq 3.6\text{ V}$, $V_{SS} = AV_{SS0} = V_{SS_USB} = 0\text{ V}$, $T_a = -40$ to $+105^\circ\text{C}$

		Item		Symbol	Min.	Typ.	Max.	Unit	Test Conditions
Recovery time from software standby mode*1	High-speed mode	Crystal connected to main clock oscillator	Main clock oscillator operating*2	t _{SBYMC}	—	2	3	ms	Figure 5.29
			Main clock oscillator and PLL circuit operating*3	t _{SBYPC}	—	2	3	ms	
		External clock input to main clock oscillator	Main clock oscillator operating*4	t _{SBYEX}	—	35	50	μs	
			Main clock oscillator and PLL circuit operating*5	t _{SBYPE}	—	70	95	μs	
		Sub-clock oscillator operating		t _{SBYSC}	—	650	800	μs	
		HOCO clock oscillator operating*6		t _{SBYHO}	—	40	55	μs	
		LOCO clock oscillator operating		t _{SBYLO}	—	40	55	μs	

Note: When the division ratios of PCLKB, PCLKD, FCLK, and ICLK are all set to 1.

Note 1. The recovery time varies depending on the state of each oscillator when the WAIT instruction is executed. The recovery time when multiple oscillators are operating varies depending on the operating state of the oscillators that are not selected as the system clock source. This applies when only the oscillator listed in each item is operating and the other oscillators are stopped.

Note 2. When the frequency of the crystal is 20 MHz.

When the main clock oscillator wait control register (MOSCWTCR) is set to 04h.

Note 3. When the frequency of PLL is 32 MHz.

When the main clock oscillator wait control register (MOSCWTCR) is set to 04h.

Note 4. When the frequency of the external clock is 20 MHz.

When the main clock oscillator wait control register (MOSCWTCR) is set to 00h.

Note 5. When the frequency of PLL is 32 MHz.

When the main clock oscillator wait control register (MOSCWTCR) is set to 00h.

Note 6. When the frequency of HOCO is 32 MHz.

When the high-speed clock oscillator wait control register (HOCOWTCR) is set to 05h.

Table 5.25 Timing of Recovery from Low Power Consumption Modes (2)

Conditions: $1.8\text{ V} \leq V_{CC} = V_{CC_USB} \leq 3.6\text{ V}$, $1.8\text{ V} \leq AV_{CC0} \leq 3.6\text{ V}$, $V_{SS} = AV_{SS0} = V_{SS_USB} = 0\text{ V}$, $T_a = -40$ to $+105^\circ\text{C}$

		Item		Symbol	Min.	Typ.	Max.	Unit	Test Conditions
Recovery time from software standby mode*1	Middle-speed mode	Crystal connected to main clock oscillator	Main clock oscillator operating*2	t _{SBYMC}	—	2	3	ms	Figure 5.29
			Main clock oscillator and PLL circuit operating*3	t _{SBYPC}	—	2	3	ms	
		External clock input to main clock oscillator	Main clock oscillator operating*4	t _{SBYEX}	—	3	4	μs	
			Main clock oscillator and PLL circuit operating*5	t _{SBYPE}	—	65	85	μs	
		Sub-clock oscillator operating		t _{SBYSC}	—	600	750	μs	
		HOCO clock oscillator operating*6		t _{SBYHO}	—	40	50	μs	
		LOCO clock oscillator operating		t _{SBYLO}	—	4.8	7	μs	

Note: When the division ratios of PCLKB, PCLKD, FCLK, and ICLK are all set to 1.

Note 1. The recovery time varies depending on the state of each oscillator when the WAIT instruction is executed. The recovery time when multiple oscillators are operating varies depending on the operating state of the oscillators that are not selected as the system clock source. This applies when only the oscillator listed in each item is operating and the other oscillators are stopped.

Note 2. When the frequency of the crystal is 12 MHz.

When the main clock oscillator wait control register (MOSCWTCR) is set to 04h.

Note 3. When the frequency of PLL is 12 MHz.

When the main clock oscillator wait control register (MOSCWTCR) is set to 04h.

Note 4. When the frequency of the external clock is 12 MHz.

When the main clock oscillator wait control register (MOSCWTCR) is set to 00h.

Note 5. When the frequency of PLL is 12 MHz.

When the main clock oscillator wait control register (MOSCWTCR) is set to 00h.

Note 6. When the frequency of HOCO is 8 MHz.
 When the high-speed clock oscillator wait control register (HOCOWTCR) is set to 05h.

Table 5.26 Timing of Recovery from Low Power Consumption Modes (3)

Conditions: $1.8\text{ V} \leq VCC = VCC_USB \leq 3.6\text{ V}$, $1.8\text{ V} \leq AVCC0 \leq 3.6\text{ V}$, $VSS = AVSS0 = VSS_USB = 0\text{ V}$, $T_a = -40\text{ to }+105^\circ\text{C}$

Item		Symbol	Min.	Typ.	Max.	Unit	Test Conditions
Recovery time from software standby mode*1	Low-speed mode Sub-clock oscillator operating	t_{SBYSC}	—	600	750	μs	Figure 5.29

Note: When the division ratios of PCLKB, PCLKD, FCLK, and ICLK are all set to 1.

Note 1. The sub-clock continues oscillating in software standby mode during low-speed mode.

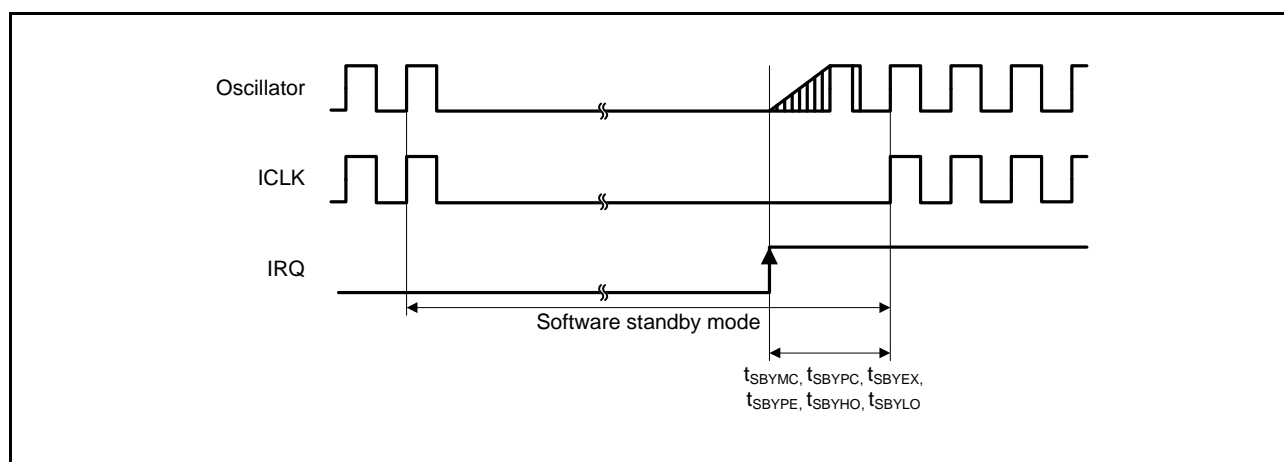


Figure 5.29 Software Standby Mode Recovery Timing

Table 5.27 Timing of Recovery from Low Power Consumption Modes (4)

Conditions: $1.8\text{ V} \leq VCC = VCC_USB \leq 3.6\text{ V}$, $1.8\text{ V} \leq AVCC0 \leq 3.6\text{ V}$, $VSS = AVSS0 = VSS_USB = 0\text{ V}$, $T_a = -40\text{ to }+105^\circ\text{C}$

Item	Symbol	Min.	Typ.	Max.	Unit	Test Conditions
Recovery time from deep sleep mode*1	High-speed mode*2	—	2	3.5	μs	
	Middle-speed mode*3	—	3	4	μs	
	Low-speed mode*4	—	400	500	μs	

Note: When the division ratios of PCLKB, PCLKD, FCLK, and ICLK are all set to 1.

Note 1. Oscillators continue oscillating in deep sleep mode.

Note 2. When the frequency of the system clock is 32 MHz.

Note 3. When the frequency of the system clock is 12 MHz.

Note 4. When the frequency of the system clock is 32.768 kHz.

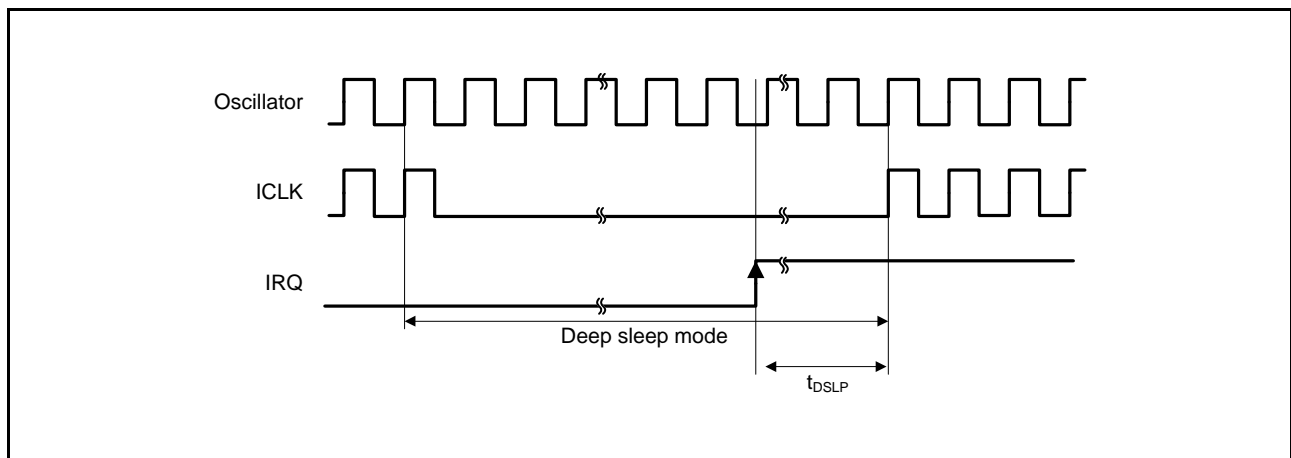


Figure 5.30 Deep Sleep Mode Recovery Timing

Table 5.28 Timing of Recovery from Low Power Consumption Modes (5) Operating Mode Transition Time

Conditions: $1.8\text{ V} \leq VCC = VCC_USB \leq 3.6\text{ V}$, $1.8\text{ V} \leq AVCC0 \leq 3.6\text{ V}$, $VSS = AVSS0 = VSS_USB = 0\text{ V}$, $T_a = -40\text{ to }+105^\circ\text{C}$

Mode before Transition	Mode after Transition	ICLK Frequency	Transition Time			Unit
			Min.	Typ.	Max.	
High-speed operating mode	Middle-speed operating mode	8 MHz	—	10	—	μs
Middle-speed operating mode	High-speed operating mode	8 MHz	—	37.5	—	μs
Low-speed operating mode	Middle-speed operating mode, high-speed operating mode	32.768 kHz	—	213.62	—	μs
Middle-speed operating mode, high-speed operating mode	Low-speed operating mode	32.768 kHz	—	183.11	—	μs

Note: When the division ratios of PCLKB, PCLKD, FCLK, and ICLK are all set to 1.

5.3.4 Control Signal Timing

Table 5.29 Control Signal Timing

Conditions: $1.8\text{ V} \leq VCC = VCC_USB \leq 3.6\text{ V}$, $1.8\text{ V} \leq AVCC0 \leq 3.6\text{ V}$, $VSS = AVSS0 = VSS_USB = 0\text{ V}$, $T_a = -40\text{ to }+105^\circ\text{C}$

Item	Symbol	Min.	Typ.	Max.	Unit	Test Conditions	
NMI pulse width	t_{NMIW}	200	—	—	ns	NMI digital filter disabled (NMIFLTE.NFLTEN = 0)	$t_{Pcyc} \times 2 \leq 200\text{ ns}$
		$t_{Pcyc} \times 2^{*1}$	—	—			$t_{Pcyc} \times 2 > 200\text{ ns}$
		200	—	—		NMI digital filter enabled (NMIFLTE.NFLTEN = 1)	$t_{NMICK} \times 3 \leq 200\text{ ns}$
		$t_{NMICK} \times 3.5^{*2}$	—	—			$t_{NMICK} \times 3 > 200\text{ ns}$
IRQ pulse width	t_{IRQW}	200	—	—	ns	IRQ digital filter disabled (IRQFLTE0.FLTENi = 0)	$t_{Pcyc} \times 2 \leq 200\text{ ns}$
		$t_{Pcyc} \times 2^{*1}$	—	—			$t_{Pcyc} \times 2 > 200\text{ ns}$
		200	—	—		IRQ digital filter enabled (IRQFLTE0.FLTENi = 1)	$t_{IRQCK} \times 3 \leq 200\text{ ns}$
		$t_{IRQCK} \times 3.5^{*3}$	—	—			$t_{IRQCK} \times 3 > 200\text{ ns}$

Note: 200 ns minimum in software standby mode.

Note 1. t_{Pcyc} indicates the cycle of PCLKB.

Note 2. t_{NMICK} indicates the cycle of the NMI digital filter sampling clock.

Note 3. t_{IRQCK} indicates the cycle of the IRQi digital filter sampling clock (i = 0 to 7).

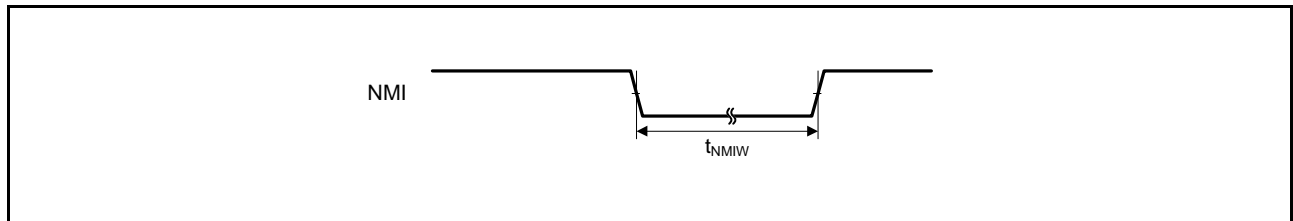


Figure 5.31 NMI Interrupt Input Timing

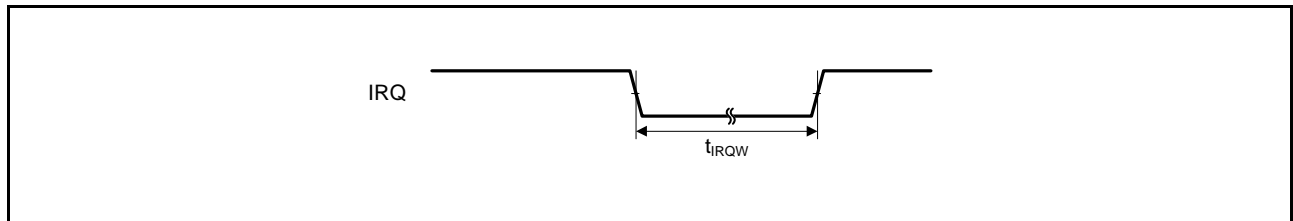


Figure 5.32 IRQ Interrupt Input Timing

5.3.5 Timing of On-Chip Peripheral Modules

Table 5.30 Timing of On-Chip Peripheral Modules (1)Conditions: $1.8\text{ V} \leq VCC = VCC_USB \leq 3.6\text{ V}$, $1.8\text{ V} \leq AVCC0 \leq 3.6\text{ V}$, $VSS = AVSS0 = VSS_USB = 0\text{ V}$, $T_a = -40$ to $+105^\circ\text{C}$

Item		Symbol	Min.	Max.	Unit*1	Test Conditions	
I/O ports	Input data pulse width	t_{PRW}	1.5	—	t_{Pcyc}	Figure 5.33	
MTU2	Input capture input pulse width	Single-edge setting	1.5	—	t_{Pcyc}	Figure 5.34	
		Both-edge setting	2.5	—			
	Timer clock pulse width	Single-edge setting	1.5	—	t_{Pcyc}	Figure 5.35	
	Both-edge setting	2.5	—				
	Phase counting mode	2.5	—				
POE	POE# input pulse width	t_{POEW}	1.5	—	t_{Pcyc}	Figure 5.36	
TMR	Timer clock pulse width	Asynchronous	1.5	—	t_{Pcyc}	Figure 5.37	
		Clock synchronous	2.5	—			
SCI	Input clock cycle	Asynchronous	4	—	t_{Pcyc}	Figure 5.38	
		Clock synchronous	6	—			
	Input clock pulse width	t_{SCKW}	0.4	0.6	t_{Scyc}		
	Input clock rise time	t_{SCKr}	—	20	ns		
	Input clock fall time	t_{SCKf}	—	20	ns		
	Output clock cycle	Asynchronous	t_{Scyc}	16	—	t_{Pcyc}	Figure 5.39 C = 30 pF
		Clock synchronous		4	—		
	Output clock pulse width	t_{SCKW}	0.4	0.6	t_{Scyc}		
	Output clock rise time	t_{SCKr}	—	20	ns		
	Output clock fall time	t_{SCKf}	—	20	ns		
	Transmit data delay time (master)	Clock synchronous	t_{TXD}	—	40	ns	
	Transmit data delay time (slave)	Clock synchronous		2.7 V or above	—	65	ns
				1.8 V or above	—	100	ns
	Receive data setup time (master)	Clock synchronous	t_{RXS}	2.7 V or above	65	—	ns
1.8 V or above				90	—	ns	
Receive data setup time (slave)	Clock synchronous		40	—	ns		
Receive data hold time	Clock synchronous	t_{RXH}	40	—	ns		
A/D converter	Trigger input pulse width	t_{TRGW}	1.5	—	t_{Pcyc}	Figure 5.40	
CAC	CACREF input pulse width	$t_{Pcyc} \leq t_{cac}^*2$	t_{CACREF}	$4.5 t_{cac} + 3 t_{Pcyc}$	—	ns	
		$t_{Pcyc} > t_{cac}^*2$		$5 t_{cac} + 6.5 t_{Pcyc}$			
CLKOUT	CLKOUT pin output cycle*4	VCC = 2.7 V or above	t_{Ccyc}	125	—	ns	
		VCC = 1.8 V or above		250			
	CLKOUT pin high pulse width*3	VCC = 2.7 V or above	t_{CH}	35	—	ns	
		VCC = 1.8 V or above		70			
	CLKOUT pin low pulse width*3	VCC = 2.7 V or above	t_{CL}	35	—	ns	
		VCC = 1.8 V or above		70			
	CLKOUT pin output rise time	VCC = 2.7 V or above	t_{Cr}	—	15	ns	
		VCC = 1.8 V or above		30			
CLKOUT pin output fall time	VCC = 2.7 V or above	t_{Cf}	—	15	ns		
	VCC = 1.8 V or above		30				

Note 1. t_{Pcyc} : PCLK cycleNote 2. t_{cac} : CAC count clock source cycle

Note 3. When the LOCO is selected as the clock output source (CKOCR.CKOSEL[2:0] bits = 000b), set the clock output division ratio selection to divided by 2 (CKOCR.CKODIV[2:0] bits = 001b).

Note 4. When the XTAL external clock input or an oscillator is used with divided by 1 (CKOCR.CKOSEL[2:0] bits = 010b and CKOCR.CKODIV[2:0] bits = 000b) to output from CLKOUT, the above should be satisfied with an input duty cycle of 45 to 55%.

Table 5.31 Timing of On-Chip Peripheral Modules (2)

Conditions: $1.8\text{ V} \leq V_{CC} = V_{CC_USB} \leq 3.6\text{ V}$, $1.8\text{ V} \leq AV_{CC0} \leq 3.6\text{ V}$, $V_{SS} = AV_{SS0} = V_{SS_USB} = 0\text{ V}$,
 $T_a = -40\text{ to }+105^\circ\text{C}$, $C = 30\text{ pF}$

Item			Symbol	Min.	Max.	Unit	Test Conditions		
RSPI	RSPCK clock cycle	Master	t_{SPCyc}	2	4096	t_{Pcyc}^{*1}	Figure 5.42		
		Slave		8	—				
	RSPCK clock high pulse width	Master	t_{SPCKWH}	$(t_{SPCyc} - t_{SPCKr} - t_{SPCKf})/2 - 3$		—		ns	
		Slave		$(t_{SPCyc} - t_{SPCKr} - t_{SPCKf})/2$		—			
	RSPCK clock low pulse width	Master	t_{SPCKWL}	$(t_{SPCyc} - t_{SPCKr} - t_{SPCKf})/2 - 3$		—		ns	
		Slave		$(t_{SPCyc} - t_{SPCKr} - t_{SPCKf})/2$		—			
	RSPCK clock rise/fall time	Output	2.7 V or above	t_{SPCKr} , t_{SPCKf}	—	10		ns	
			1.8 V or above		—	15			
		Input	—	1	μs				
	Data input setup time	Master	2.7 V or above	t_{SU}	10	—		ns	Figure 5.43 to Figure 5.48
			1.8 V or above		30	—			
		Slave	$25 - t_{Pcyc}$		—				
Data input hold time	Master	RSPCK set to a division ratio other than PCLKB divided by 2	t_H	t_{Pcyc}	—	ns			
		RSPCK set to PCLKB divided by 2		t_{HF}	0		—		
	Slave	t_H		$20 + 2 \times t_{Pcyc}$	—				
SSL setup time	Master	t_{LEAD}		$-30 + N^2 \times t_{SPCyc}$	—	ns			
	Slave			2	—	t_{Pcyc}			
SSL hold time	Master	t_{LAG}		$-30 + N^3 \times t_{SPCyc}$	—	ns			
	Slave			2	—	t_{Pcyc}			
Data output delay time	Master	2.7 V or above	t_{OD}	—	14	ns			
		1.8 V or above		—	30				
	Slave	2.7 V or above		—	$3 \times t_{Pcyc} + 65$				
		1.8 V or above		—	$3 \times t_{Pcyc} + 105$				
Data output hold time	Master	2.7 V or above	t_{OH}	0	—	ns			
		1.8 V or above		-20	—				
	Slave	0		—					
Successive transmission delay time	Master	t_{TD}		$t_{SPCyc} + 2 \times t_{Pcyc}$	$8 \times t_{SPCyc} + 2 \times t_{Pcyc}$	ns			
	Slave			$4 \times t_{Pcyc}$			—		
MOSI and MISO rise/fall time	Output	2.7 V or above	t_{Dr} , t_{Df}	—	10	ns			
		1.8 V or above		—	20				
	Input	—		1	μs				
SSL rise/fall time	Output	t_{SSLr} , t_{SSLf}		—	20	ns			
	Input			—			1	μs	
Slave access time			t_{SA}	2.7 V or above	6	t_{Pcyc}	Figure 5.47, Figure 5.48		
				1.8 V or above	—			7	
Slave output release time			t_{REL}	2.7 V or above	5	t_{Pcyc}			
				1.8 V or above	—			6	

Note 1. t_{Pcyc} : PCLK cycle

Note 2. N: An integer from 1 to 8 that can be set by the RSPI clock delay register (SPCKD)

Note 3. N: An integer from 1 to 8 that can be set by the RSPI slave select negation delay register (SSLND)

Table 5.32 Timing of On-Chip Peripheral Modules (3)

Conditions: $1.8\text{ V} \leq VCC = VCC_USB \leq 3.6\text{ V}$, $1.8\text{ V} \leq AVCC0 \leq 3.6\text{ V}$, $VSS = AVSS0 = VSS_USB = 0\text{ V}$,
 $T_a = -40\text{ to }+105^\circ\text{C}$, $C = 30\text{ pF}$

Item		Symbol	Min.	Max.	Unit*1	Test Conditions	
Simple SPI	SCK clock cycle output (master)	t_{SPCyc}	4	65536	t_{Pcyc}	Figure 5.42	
	SCK clock cycle input (slave)		6	—	t_{Pcyc}		
	SCK clock high pulse width	t_{SPCKWH}	0.4	0.6	t_{SPCyc}		
	SCK clock low pulse width	t_{SPCKWL}	0.4	0.6	t_{SPCyc}		
	SCK clock rise/fall time	t_{SPCKr}, t_{SPCKf}	—	20	ns		
	Data input setup time (master)	2.7 V or above	t_{SU}	65	—	ns	Figure 5.43, Figure 5.45
		1.8 V or above		95	—		
	Data input setup time (slave)	40		—			
	Data input hold time	t_H	40	—	ns		
	SS input setup time	t_{LEAD}	3	—	t_{SPCyc}		
	SS input hold time	t_{LAG}	3	—	t_{SPCyc}		
	Data output delay time (master)	t_{OD}	—	40	ns		
	Data output delay time (slave)		2.7 V or above	—		65	
			1.8 V or above	—		100	
	Data output hold time (master)	2.7 V or above	t_{OH}	-10	—	ns	
		1.8 V or above		-20	—		
Data output hold time (slave)	-10	—					
Data rise/fall time	t_{Dr}, t_{Df}	—	20	ns			
SS input rise/fall time	t_{SSLr}, t_{SSLf}	—	20	ns			
Slave access time	t_{SA}	—	6	t_{Pcyc}	Figure 5.47, Figure 5.48		
Slave output release time	t_{REL}	—	6	t_{Pcyc}			

Note 1. t_{Pcyc} : PCLK cycle

Table 5.33 Timing of On-Chip Peripheral Modules (4)

Conditions: $2.7\text{ V} \leq V_{CC} = V_{CC_USB} \leq 3.6\text{ V}$, $2.7\text{ V} \leq AV_{CC0} \leq 3.6\text{ V}$, $V_{SS} = AV_{SS0} = V_{SS_USB} = 0\text{ V}$, $f_{PCLKB} \leq 32\text{ MHz}$,
 $T_a = -40\text{ to }+105^\circ\text{C}$

Item	Symbol	Min.*1	Max.	Unit	Test Conditions	
RIIC (Standard mode, SMBus)	SCL0 input cycle time	t_{SCL}	$6 (12) \times t_{IICcyc} + 1300$	—	ns	Figure 5.49
	SCL0 input high pulse width	t_{SCLH}	$3 (6) \times t_{IICcyc} + 300$	—	ns	
	SCL0 input low pulse width	t_{SCLL}	$3 (6) \times t_{IICcyc} + 300$	—	ns	
	SCL0, SDA0 input rise time	t_{Sr}	—	1000	ns	
	SCL0, SDA0 input fall time	t_{Sf}	—	300	ns	
	SCL0, SDA0 input spike pulse removal time	t_{SP}	0	$1 (4) \times t_{IICcyc}$	ns	
	SDA0 input bus free time	t_{BUF}	$3 (6) \times t_{IICcyc} + 300$	—	ns	
	START condition input hold time	t_{STAH}	$t_{IICcyc} + 300$	—	ns	
	Repeated START condition input setup time	t_{STAS}	1000	—	ns	
	STOP condition input setup time	t_{STOS}	1000	—	ns	
	Data input setup time	t_{SDAS}	$t_{IICcyc} + 50$	—	ns	
	Data input hold time	t_{SDAH}	0	—	ns	
	SCL0, SDA0 capacitive load	C_b	—	400	pF	
RIIC (Fast mode)	SCL0 input cycle time	t_{SCL}	$6 (12) \times t_{IICcyc} + 600$	—	ns	Figure 5.49
	SCL0 input high pulse width	t_{SCLH}	$3 (6) \times t_{IICcyc} + 300$	—	ns	
	SCL0 input low pulse width	t_{SCLL}	$3 (6) \times t_{IICcyc} + 300$	—	ns	
	SCL0, SDA0 input rise time	t_{Sr}	—*2	300	ns	
	SCL0, SDA0 input fall time	t_{Sf}	—*2	300	ns	
	SCL0, SDA0 input spike pulse removal time	t_{SP}	0	$1 (4) \times t_{IICcyc}$	ns	
	SDA0 input bus free time	t_{BUF}	$3 (6) \times t_{IICcyc} + 300$	—	ns	
	START condition input hold time	t_{STAH}	$t_{IICcyc} + 300$	—	ns	
	Repeated START condition input setup time	t_{STAS}	300	—	ns	
	STOP condition input setup time	t_{STOS}	300	—	ns	
	Data input setup time	t_{SDAS}	$t_{IICcyc} + 50$	—	ns	
	Data input hold time	t_{SDAH}	0	—	ns	
	SCL0, SDA0 capacitive load	C_b	—	400	pF	

Note: t_{IICcyc} : RIIC internal reference count clock (IIC ϕ) cycle

Note 1. The value in parentheses is used when the ICMR3.NF[1:0] bits are set to 11b while a digital filter is enabled with the ICFER.NFE bit = 1.

Note 2. The minimum t_{sr} and t_{sf} specifications for fast mode are not set.

Table 5.34 Timing of On-Chip Peripheral Modules (5)

Conditions: $2.7\text{ V} \leq VCC = VCC_USB \leq 3.6\text{ V}$, $2.7\text{ V} \leq AVCC0 \leq 3.6\text{ V}$, $VSS = AVSS0 = VSS_USB = 0\text{ V}$, $fPCLKB \leq 32\text{ MHz}$,
 $T_a = -40\text{ to }+105^\circ\text{C}$

Item		Symbol	Min.	Max.	Unit	Test Conditions
Simple I ² C (Standard mode)	SDA0 input rise time	t_{Sr}	—	1000	ns	Figure 5.49
	SDA0 input fall time	t_{Sf}	—	300	ns	
	SDA0 input spike pulse removal time	t_{SP}	0	$4 \times t_{pcyc}^{*1}$	ns	
	Data input setup time	t_{SDAS}	250	—	ns	
	Data input hold time	t_{SDAH}	0	—	ns	
	SCL0, SDA0 capacitive load	C_b	—	400	pF	
Simple I ² C (Fast mode)	SCL0, SDA0 input rise time	t_{Sr}	—	300	ns	Figure 5.49
	SCL0, SDA0 input fall time	t_{Sf}	—	300	ns	
	SCL0, SDA0 input spike pulse removal time	t_{SP}	0	$4 \times t_{pcyc}^{*1}$	ns	
	Data input setup time	t_{SDAS}	100	—	ns	
	Data input hold time	t_{SDAH}	0	—	ns	
	SCL0, SDA0 capacitive load	C_b	—	400	pF	

Note: t_{pcyc} : PCLK cycle

Note 1. This applies when the SMR.CKS[1:0] bits = 00b and the SNFR.NFCS[2:0] bits = 010b while the SNFR.NFE bit = 1 and the digital filter is enabled.

Table 5.35 Timing of On-Chip Peripheral Modules (6)

Conditions: $1.8\text{ V} \leq VCC = VCC_USB \leq 3.6\text{ V}$, $1.8\text{ V} \leq AVCC0 \leq 3.6\text{ V}$, $VSS = AVSS0 = VSS_USB = 0\text{ V}$, $fPCLKB \leq 32\text{ MHz}$,
 $T_a = -40\text{ to }+105^\circ\text{C}$

Item		Symbol	Min.	Max.	Unit	Test Conditions
SSI	AUDIO_MCLK input frequency	t_{AUDIO}	2.7 V or above	1	25	MHz
			1.8 V or above	1	4	
Output clock cycle		t_O	250	—	ns	Figure 5.50
Input clock cycle		t_I	250	—	ns	
Clock high pulse width		t_{HC}	0.4	0.6	to, ti	
Clock low pulse width		t_{LC}	0.4	0.6	to, ti	
Clock rise time		t_{RC}	—	20	ns	
Data delay time	2.7 V or above	t_{DTR}	—	65	ns	Figure 5.51 Figure 5.52
	1.8 V or above		—	105		
Setup time	2.7 V or above	t_{SR}	65	—	ns	
	1.8 V or above		90	—		
Hold time		t_{HTR}	40	—	ns	
WS changing edge SSIDATA output delay		t_{DTRW}	—	105	ns	Figure 5.53

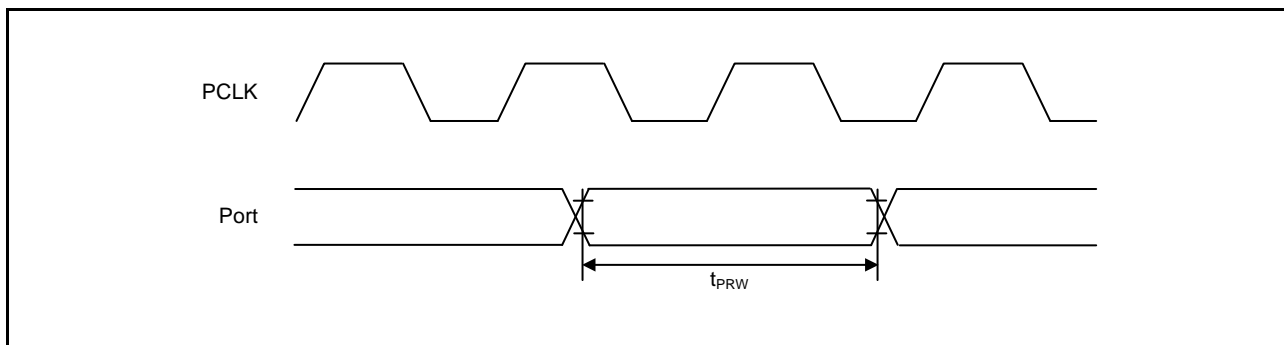


Figure 5.33 I/O Port Input Timing

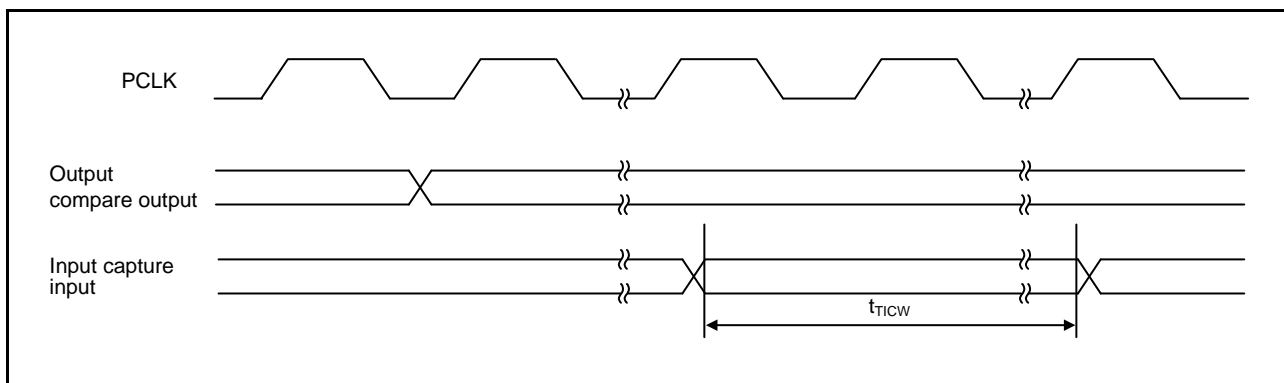


Figure 5.34 MTU2 Input/Output Timing

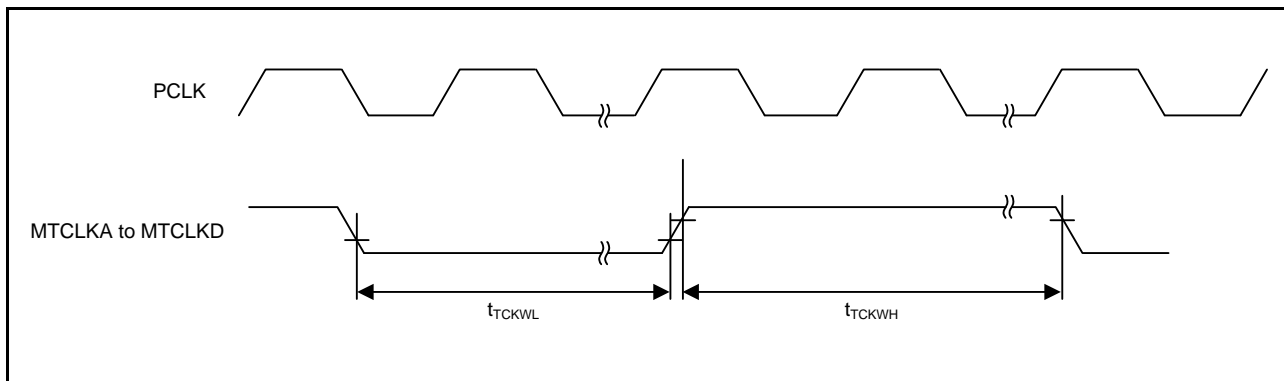


Figure 5.35 MTU2 Clock Input Timing

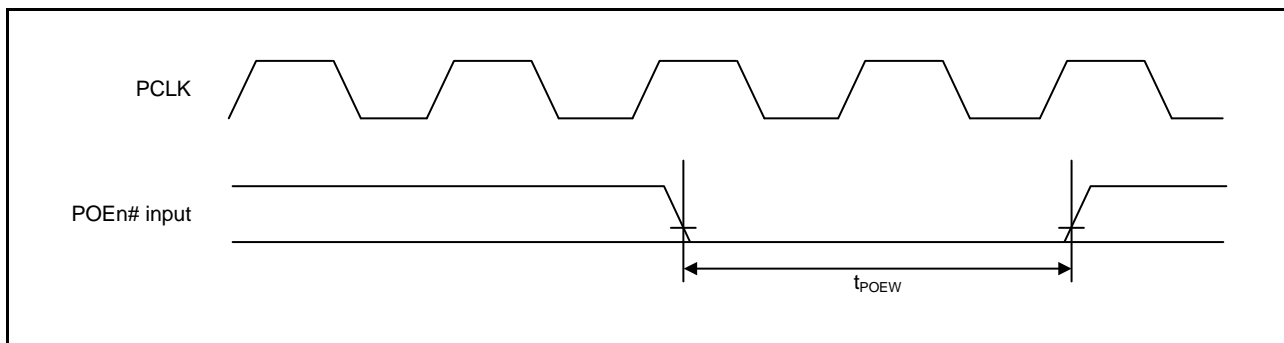


Figure 5.36 POE# Input Timing

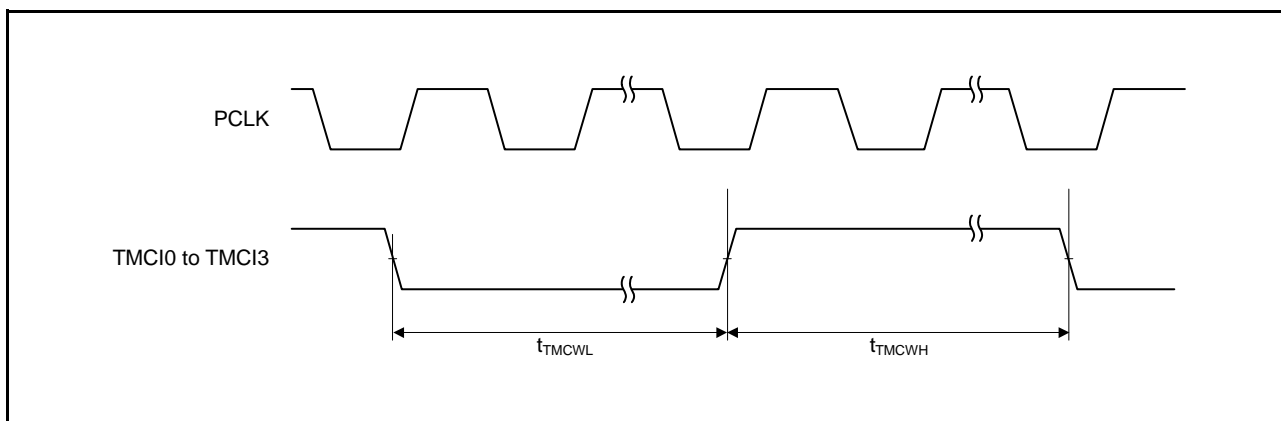


Figure 5.37 TMR Clock Input Timing

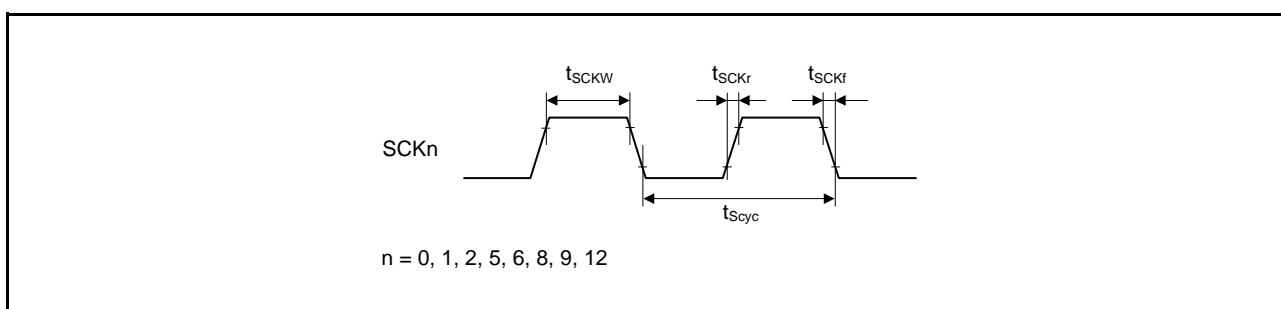


Figure 5.38 SCK Clock Input Timing

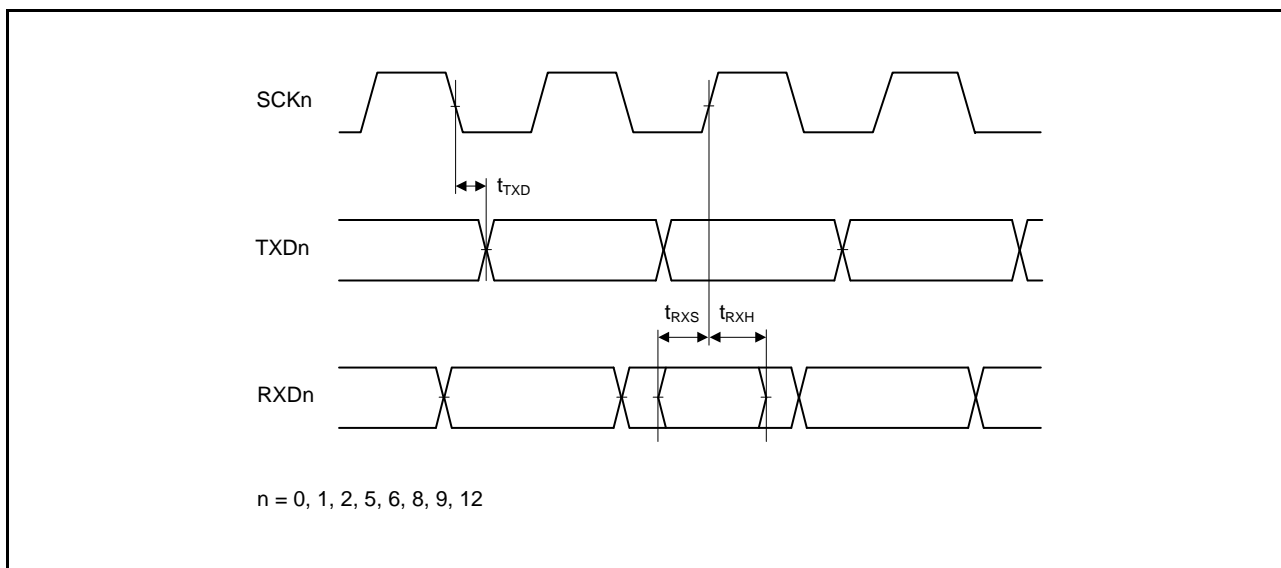


Figure 5.39 SCI Input/Output Timing: Clock Synchronous Mode

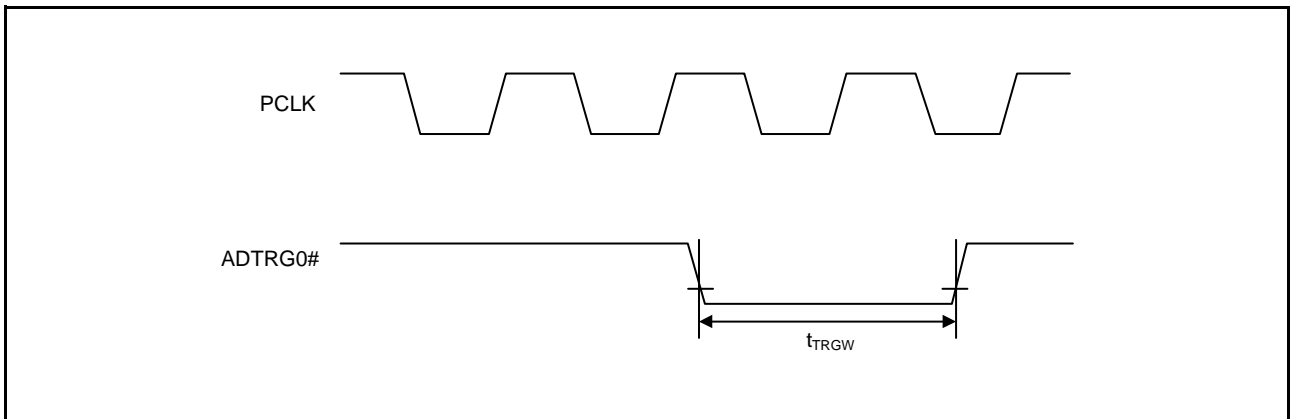


Figure 5.40 A/D Converter External Trigger Input Timing

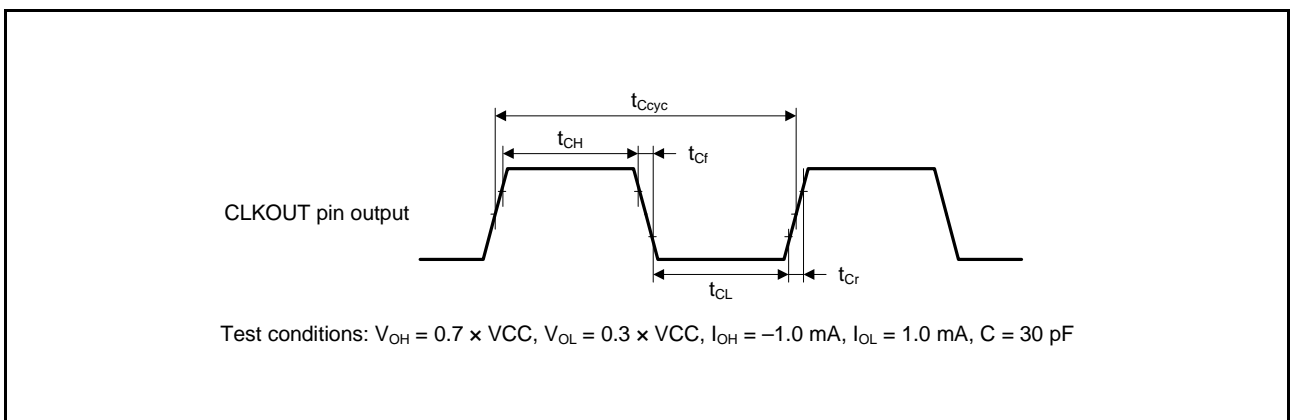


Figure 5.41 CLKOUT Output Timing

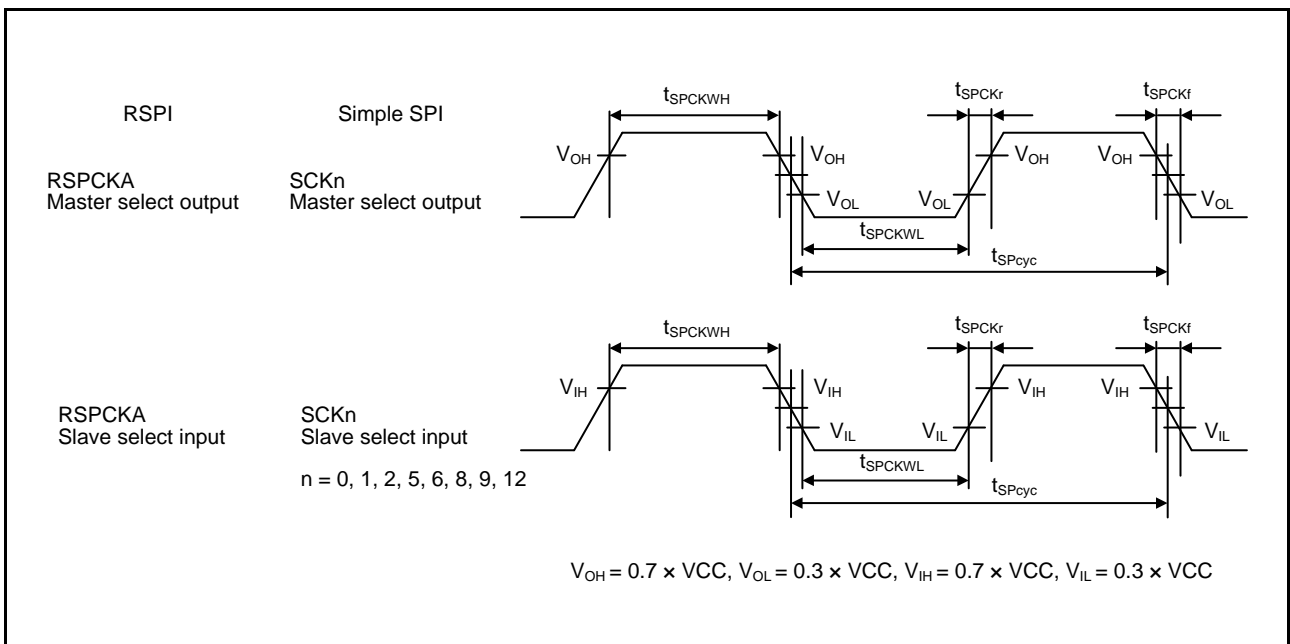


Figure 5.42 RSPIClock Timing and Simple SPI Clock Timing

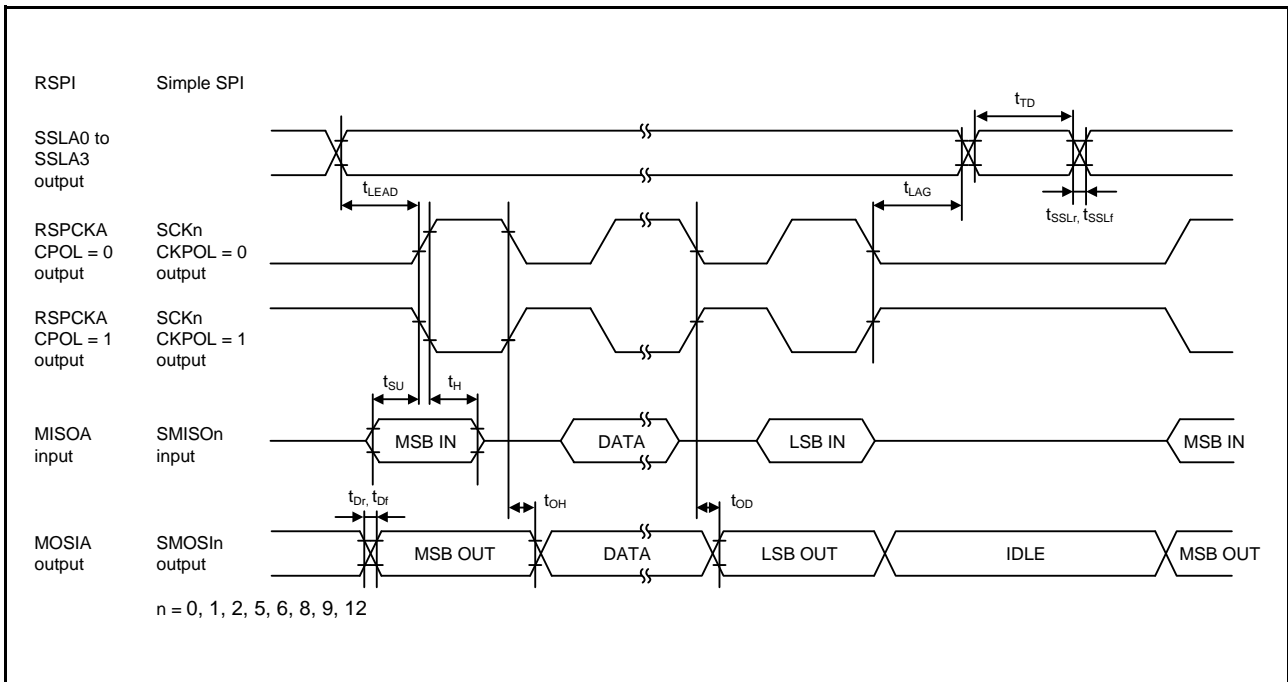


Figure 5.43 RSPI Timing (Master, CPHA = 0) (Bit Rate: PCLKB Set to Division Ratio Other Than Divided by 2) and Simple SPI Timing (Master, CKPH = 1)

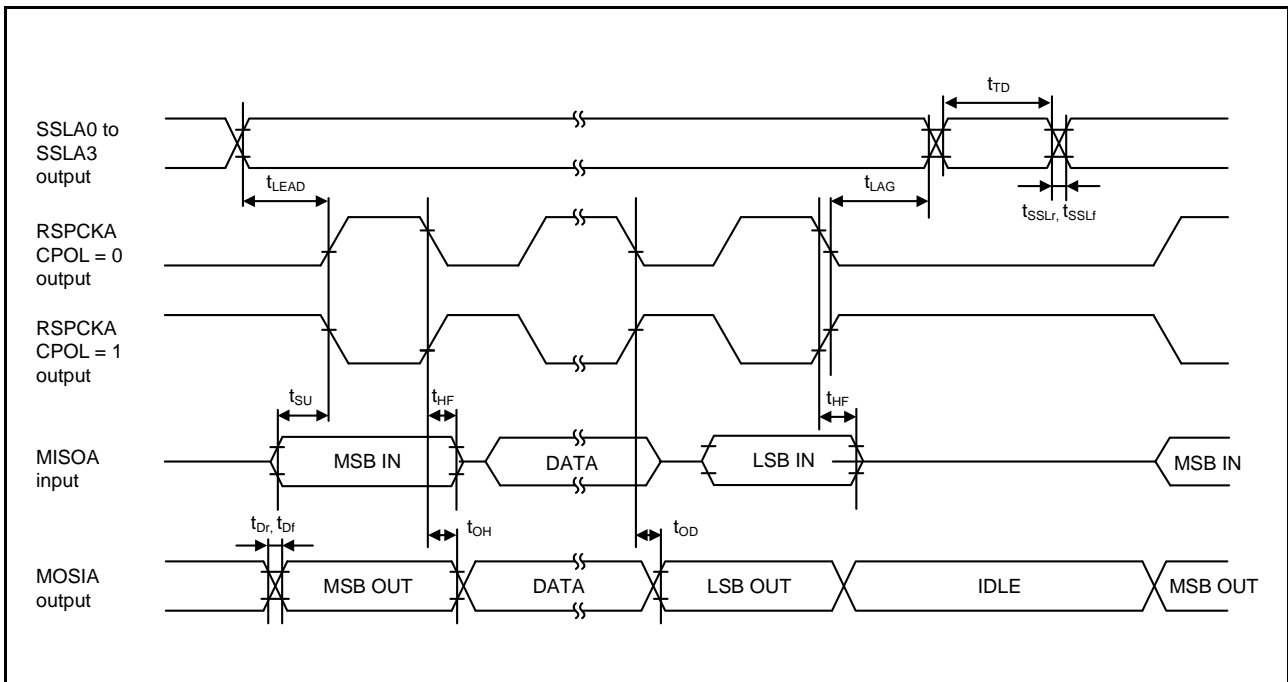


Figure 5.44 RSPI Timing (Master, CPHA = 0) (Bit Rate: PCLKB Set to Divided by 2)

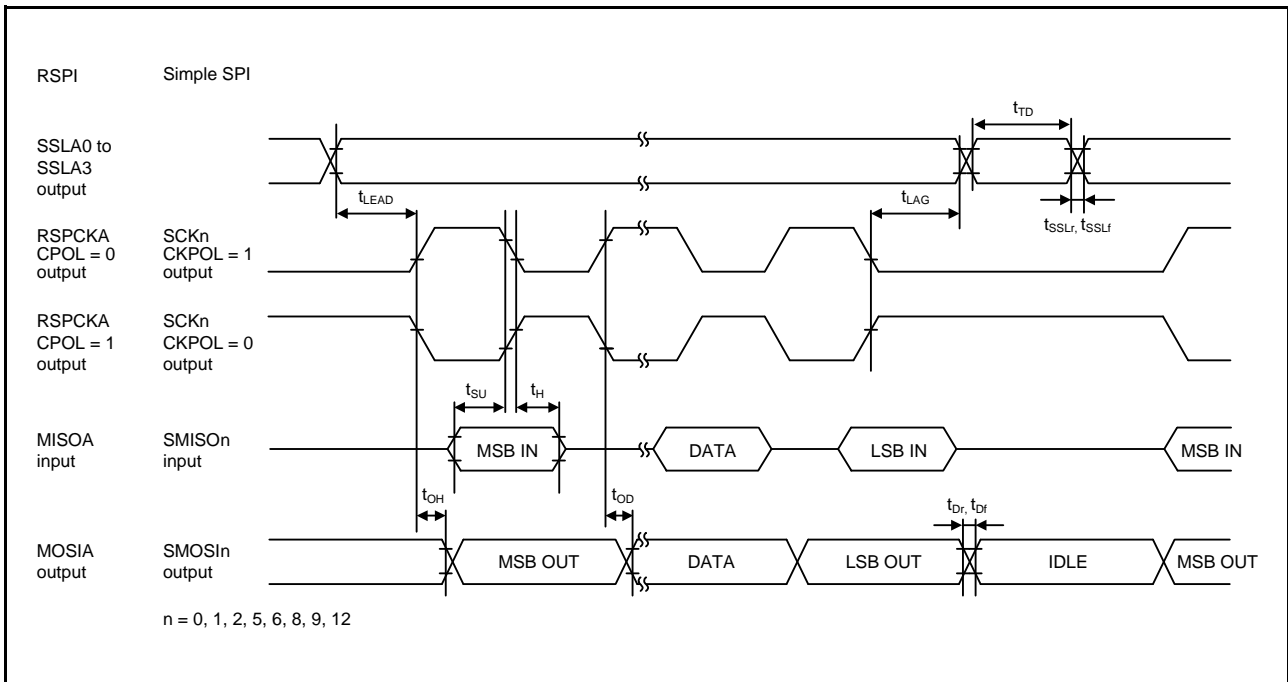


Figure 5.45 RSPI Timing (Master, CPHA = 1) (Bit Rate: PCLKB Set to Division Ratio Other Than Divided by 2) and Simple SPI Timing (Master, CKPH = 0)

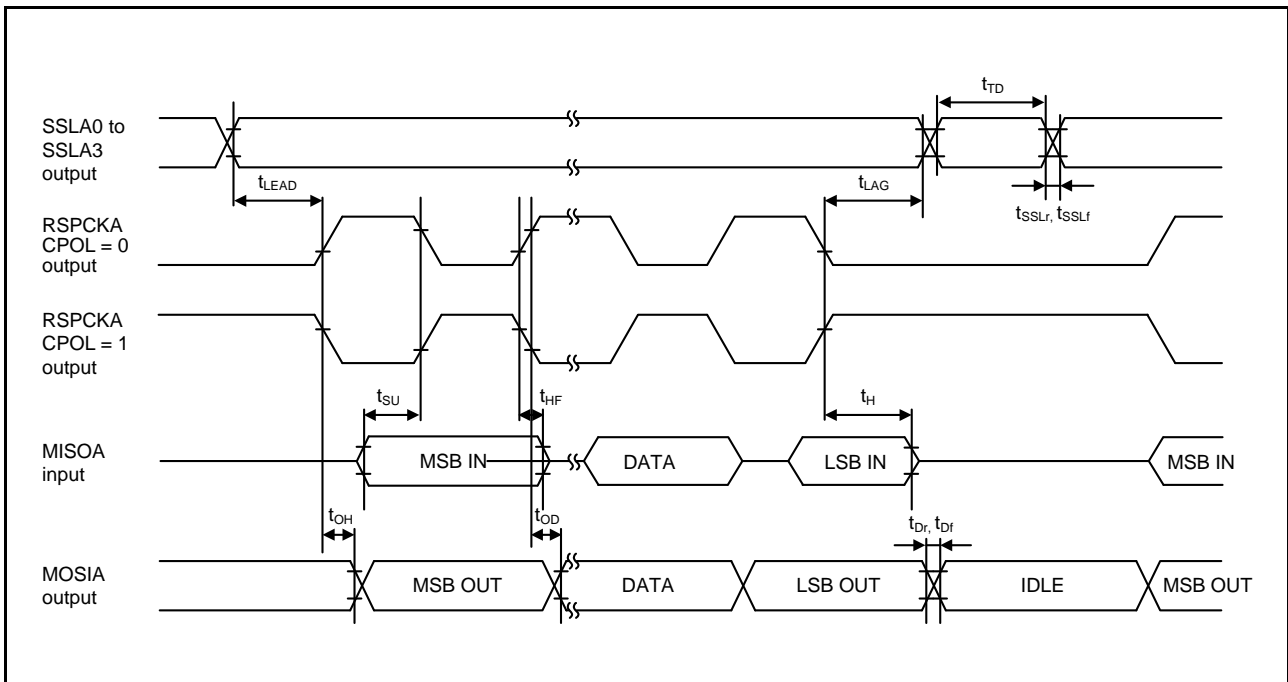


Figure 5.46 RSPI Timing (Master, CPHA = 1) (Bit Rate: PCLKB Set to Divided by 2)

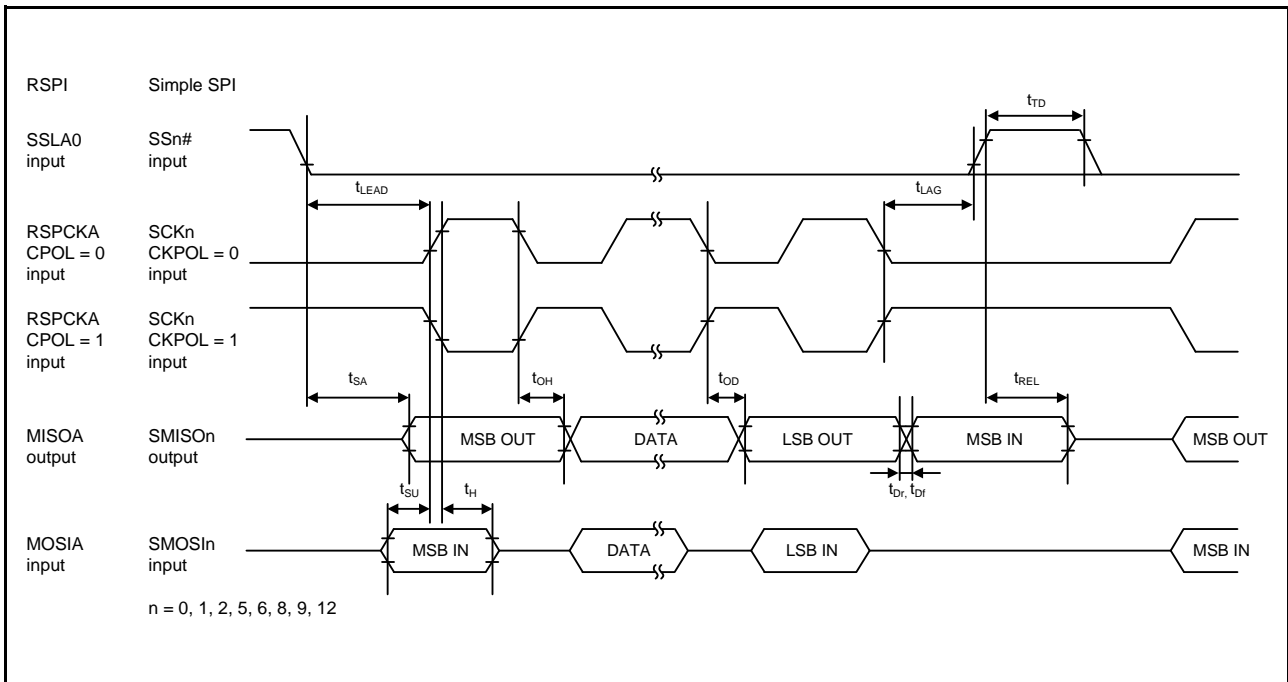


Figure 5.47 RSPI Timing (Slave, CPHA = 0) and Simple SPI Timing (Slave, CKPH = 1)

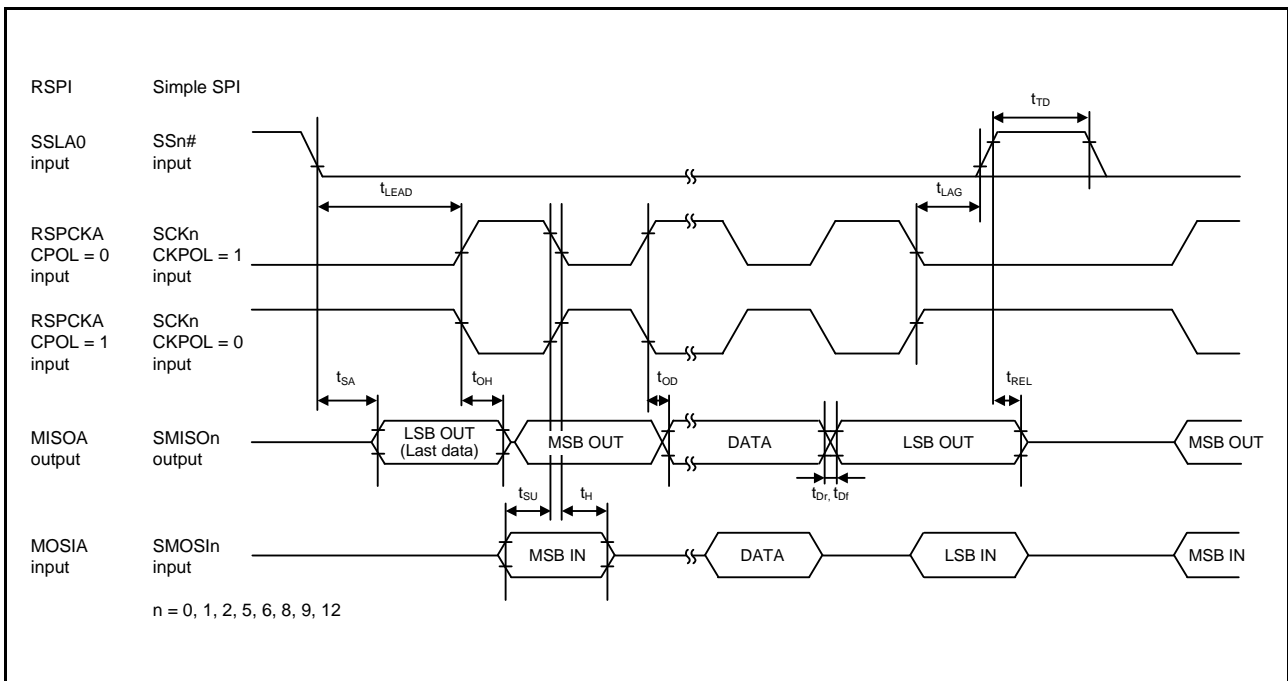


Figure 5.48 RSPI Timing (Slave, CPHA = 1) and Simple SPI Timing (Slave, CKPH = 0)

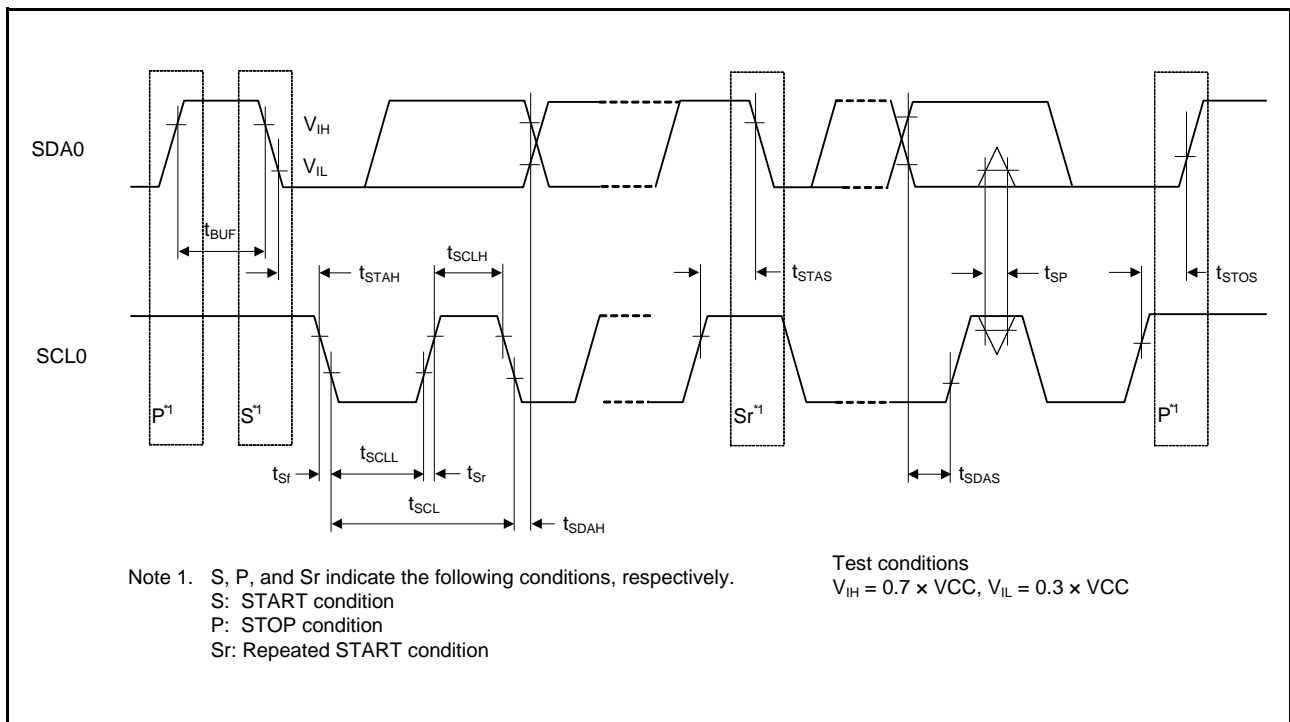


Figure 5.49 I2C Bus Interface Input/Output Timing and Simple I2C Bus Interface Input/Output Timing

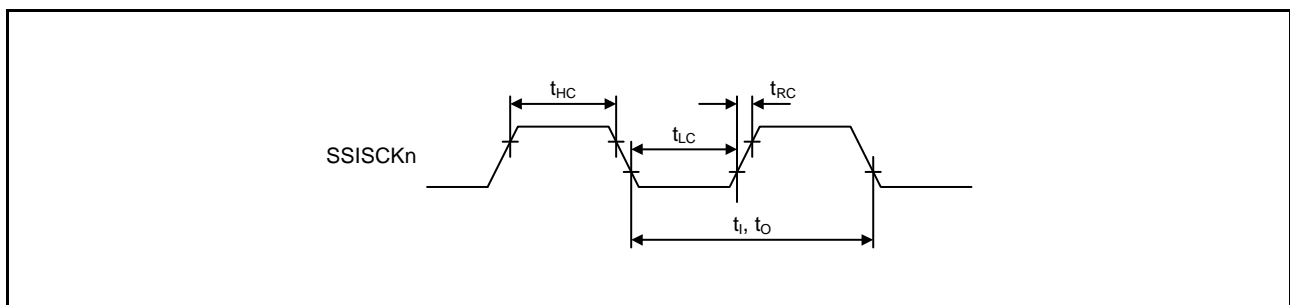


Figure 5.50 Clock Input/Output Timing

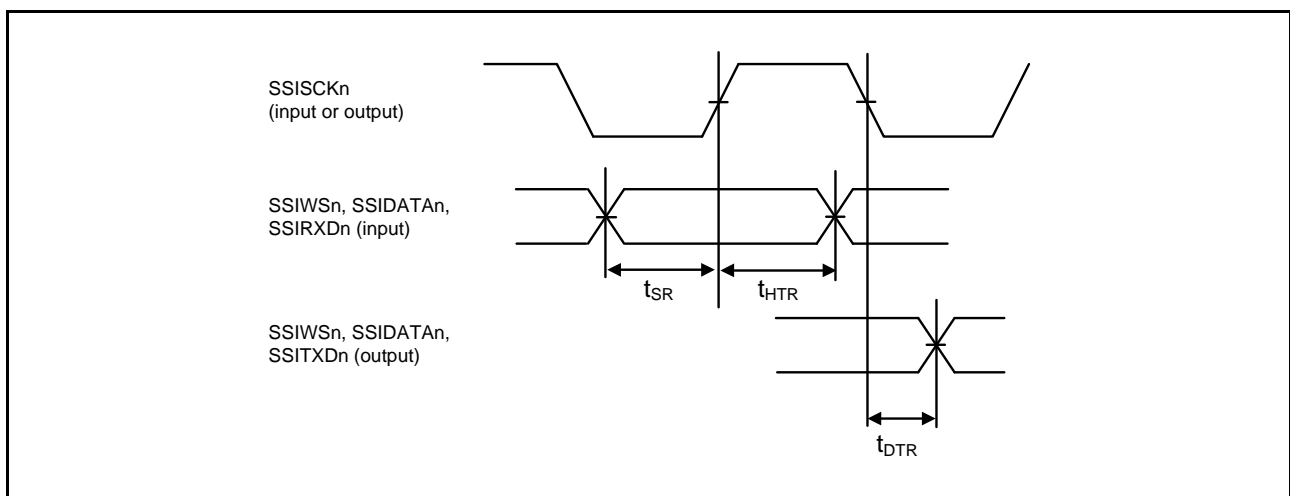


Figure 5.51 Transmission/Reception Timing (Synchronized with SSISCKn Rising Edge)

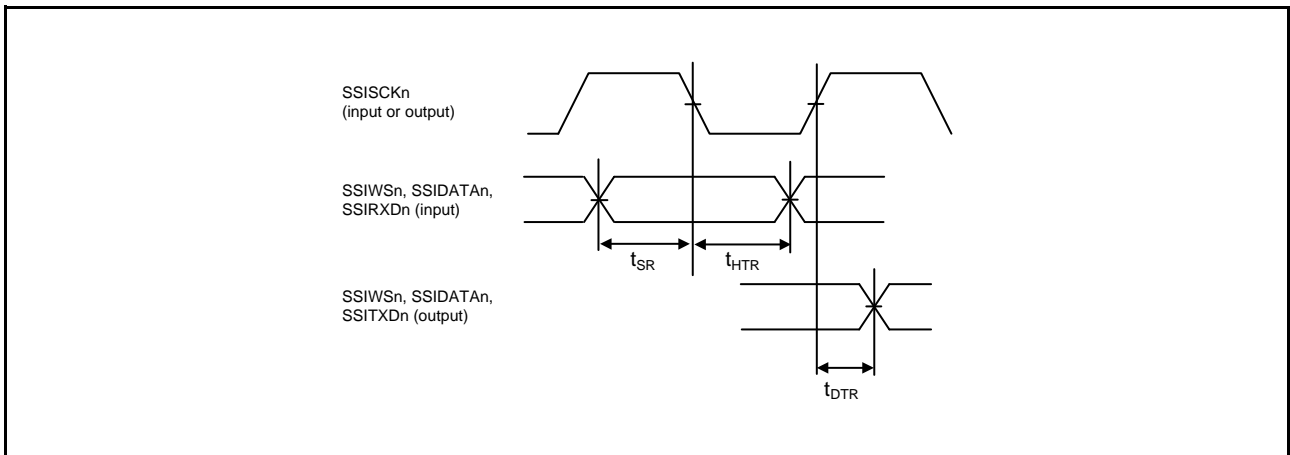


Figure 5.52 Transmission/Reception Timing (Synchronized with SSISCKn Falling Edge)

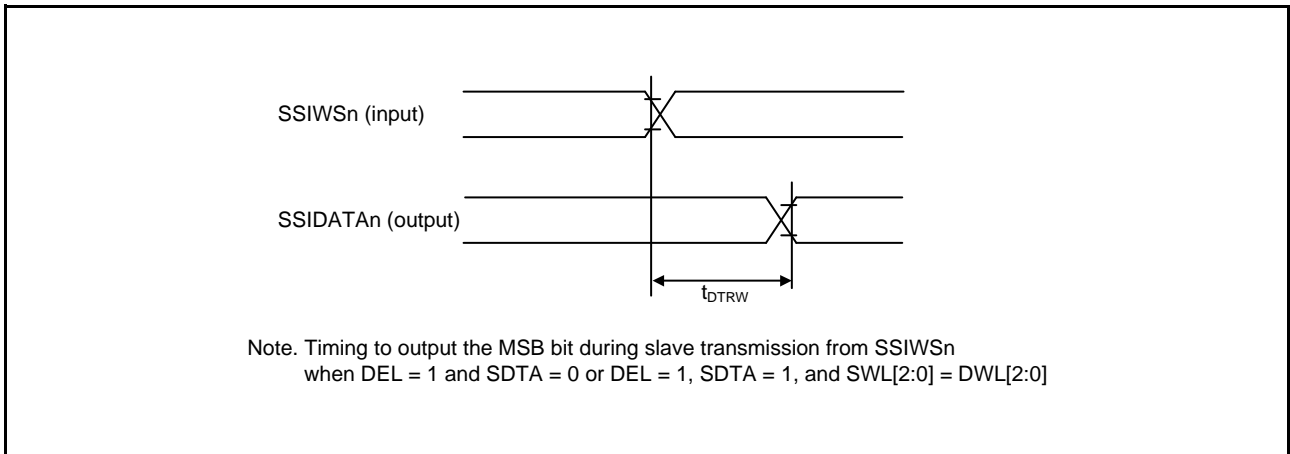


Figure 5.53 SSIDATA Output Delay After SSIWSn Changing Edge

5.4 USB Characteristics

Table 5.36 USB Characteristics (USB0_DP and USB0_DM Pin Characteristics)

Conditions: $3.0\text{ V} \leq VCC = VCC_USB \leq 3.6\text{ V}$, $3.0\text{ V} \leq AVCC0 \leq 3.6\text{ V}$, $VSS = AVSS0 = VSS_USB = 0\text{ V}$, $T_a = -40\text{ to }+105^\circ\text{C}$

Item		Symbol	Min.	Max.	Unit	Test Conditions	
Input characteristics	Input high level voltage	V_{IH}	2.0	—	V		
	Input low level voltage	V_{IL}	—	0.8	V		
	Differential input sensitivity	V_{DI}	0.2	—	V	$ \text{USB0_DP} - \text{USB0_DM} $	
	Differential common mode range	V_{CM}	0.8	2.5	V		
Output characteristics	Output high level voltage	V_{OH}	2.8	VCC_USB	V	$I_{OH} = -200\ \mu\text{A}$	
	Output low level voltage	V_{OL}	0.0	0.3	V	$I_{OL} = 2\ \text{mA}$	
	Cross-over voltage	V_{CRS}	1.3	2.0	V	Figure 5.54 Figure 5.55	
	Rise time	FS	t_r	4	20		ns
		LS		75	300		
	Fall time	FS	t_f	4	20		ns
		LS		75	300		
	Rise/fall time ratio	FS	t_r/t_f	90	111.11		%
		LS		80	125		
	Output resistance		Z_{DRV}	28	44	Ω	(Adjusting the resistance of external elements is not necessary.)
VBUS characteristics	VBUS input voltage	V_{IH}	$0.8 \times VCC$	—	V		
		V_{IL}	—	$0.2 \times VCC$	V		
	VBUS (P16) input leakage current	$ I_{VBUSIN} $	—	10	μA	$\text{USB0_VBUS} = 5.5\text{ V}$	
Pull-up, pull-down	Pull-down resistor	R_{PD}	14.25	24.80	k Ω		
	Pull-up resistor	R_{PUI}	0.9	1.575	k Ω	During idle state	
		R_{PUA}	1.425	3.09	k Ω	During reception	
Battery Charging Specification Ver 1.2	USB0_DP sink current	I_{DP_SINK}	25	175	μA		
	USB0_DM sink current	I_{DM_SINK}	25	175	μA		
	DCD source current	I_{DP_SRC}	7	13	μA		
	Data detection voltage	V_{DAT_REF}	0.25	0.4	V		
	USB0_DP source current	V_{DP_SRC}	0.5	0.7	V	Output current = 250 μA	
	USB0_DM source current	V_{DM_SRC}	0.5	0.7	V	Output current = 250 μA	

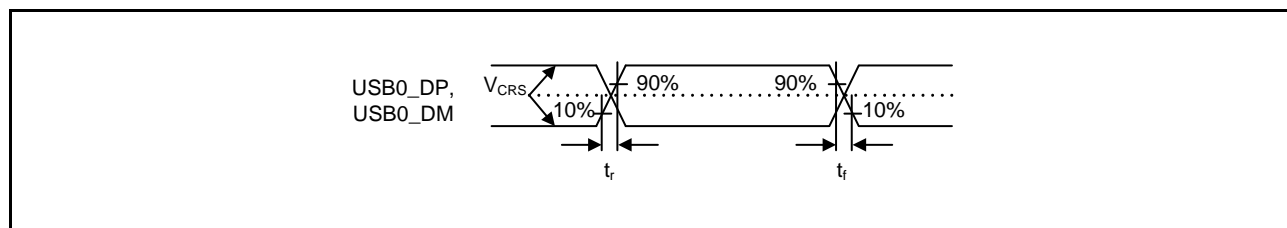


Figure 5.54 USB0_DP and USB0_DM Output Timing

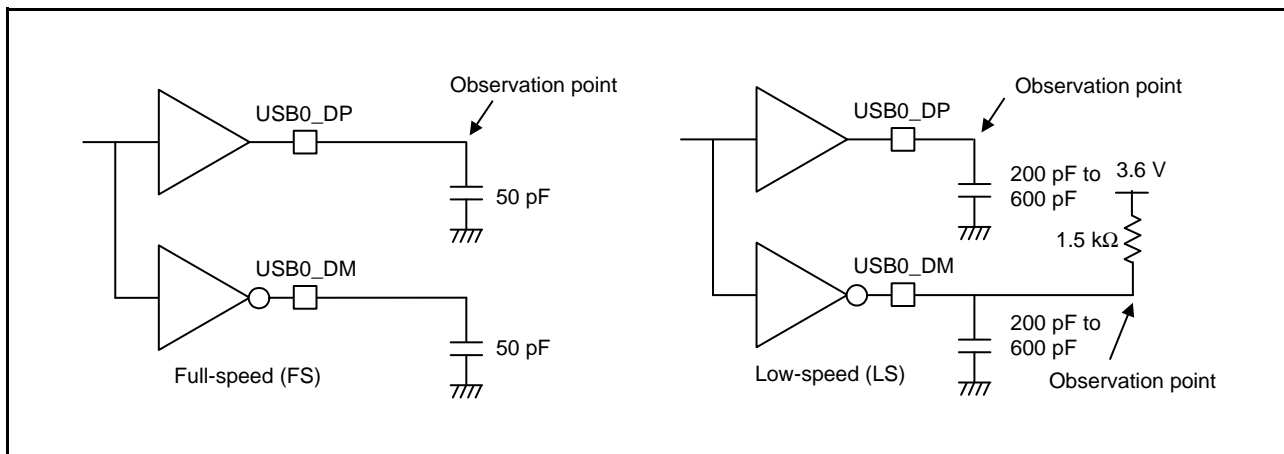


Figure 5.55 Test Circuit

5.5 A/D Conversion Characteristics

Table 5.37 A/D Conversion Characteristics (1)

Conditions: $2.7\text{ V} \leq VCC = VCC_USB \leq 3.6\text{ V}$, $2.7\text{ V} \leq AVCC0 \leq 3.6\text{ V}$, $2.7\text{ V} \leq VREFH0 \leq AVCC0$,
 $VSS = AVSS0 = VREFL0 = VSS_USB = 0\text{ V}$, $T_a = -40\text{ to }+105^\circ\text{C}$

Item		Min.	Typ.	Max.	Unit	Test Conditions
Frequency		4	—	32	MHz	
Resolution		—	—	12	Bit	
Conversion time*1 (Operation at PCLKD = 32 MHz)	Permissible signal source impedance (Max.) = 0.3 k Ω	1.031 (0.313)*2	—	—	μs	High-precision channel ADCSR.ADHSC bit = 1 ADSSTRn.SST[7:0] bits = 09h
		1.375 (0.641)*2	—	—	μs	Normal-precision channel ADCSR.ADHSC bit = 1 ADSSTRn.SST[7:0] bits = 14h
Analog input effective range		0	—	VREFH0	V	
Offset error		—	± 0.5	± 4.5	LSB	High-precision channel PJ6PFS.ASEL bit = 1 PJ7PFS.ASEL bit = 1
				± 6.0	LSB	Other than above
Full-scale error		—	± 0.75	± 4.5	LSB	High-precision channel PJ6PFS.ASEL bit = 1 PJ7PFS.ASEL bit = 1
				± 6.0	LSB	Other than above
Quantization error		—	± 0.5	—	LSB	
Absolute accuracy		—	± 1.25	± 5.0	LSB	High-precision channel PJ6PFS.ASEL bit = 1 PJ7PFS.ASEL bit = 1
				± 8.0	LSB	Other than above
DNL differential nonlinearity error		—	± 1.0	—	LSB	
INL integral nonlinearity error		—	± 1.0	± 3.0	LSB	

Note: The characteristics apply when no pin functions other than A/D converter input are used. Absolute accuracy includes quantization errors. Offset error, full-scale error, DNL differential nonlinearity error, and INL integral nonlinearity error do not include quantization errors.

Note 1. The conversion time is the sum of the sampling time and the comparison time. As the test conditions, the number of sampling states is indicated.

Note 2. The value in parentheses indicates the sampling time.

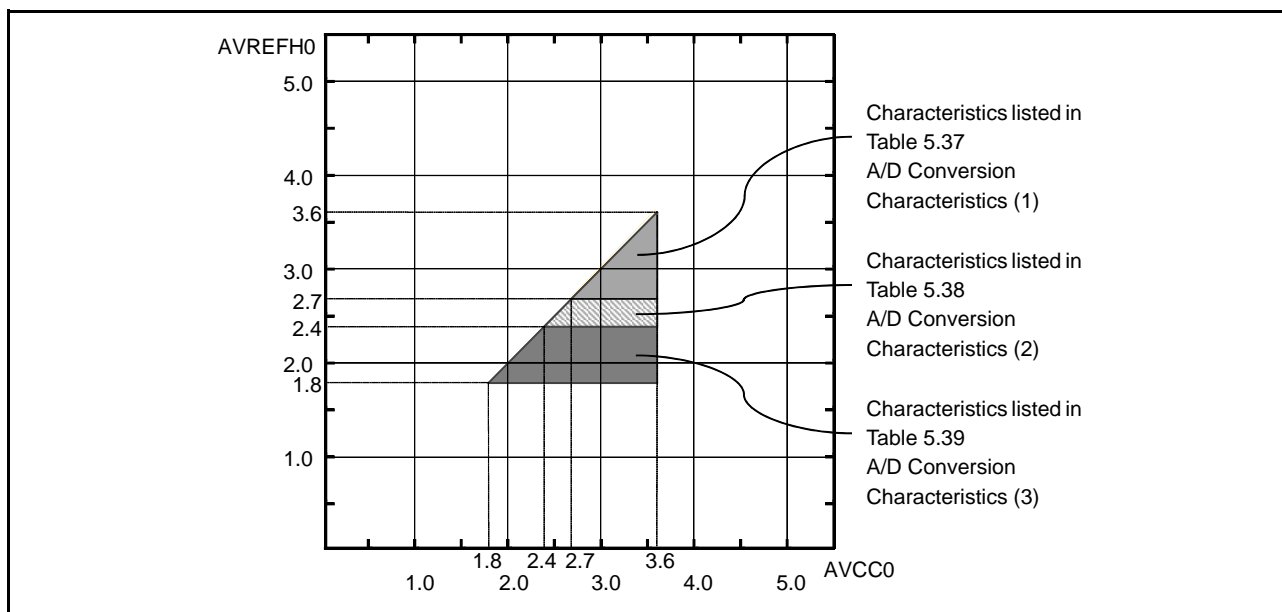


Figure 5.56 AVCC0 to AVREFH0 Voltage Range

Table 5.38 A/D Conversion Characteristics (2)

Conditions: $2.4\text{ V} \leq V_{CC} = V_{CC_USB} \leq 3.6\text{ V}$, $2.4\text{ V} \leq AV_{CC0} \leq 3.6\text{ V}$, $2.4\text{ V} \leq V_{REFH0} \leq AV_{CC0}$,
 $V_{SS} = AV_{SS0} = V_{REFL0} = V_{SS_USB} = 0\text{ V}$, $T_a = -40\text{ to }+105^\circ\text{C}$

Item		Min.	Typ.	Max.	Unit	Test Conditions
Frequency		4	—	16	MHz	
Resolution		—	—	12	Bit	
Conversion time*1 (Operation at PCLKD = 16 MHz)	Permissible signal source impedance (Max.) = 1.0 kΩ	2.062 (0.625)*2	—	—	μs	High-precision channel ADCSR.ADHSC bit = 1 ADSSTRn.SST[7:0] bits = 09h
		2.750 (1.313)*2	—	—	μs	Normal-precision channel ADCSR.ADHSC bit = 1 ADSSTRn.SST[7:0] bits = 14h
Analog input effective range		0	—	VREFH0	V	
Offset error		—	±0.5	±6.0	LSB	
Full-scale error		—	±1.25	±6.0	LSB	
Quantization error		—	±0.5	—	LSB	
Absolute accuracy		—	±3.0	±8.0	LSB	
DNL differential nonlinearity error		—	±1.0	—	LSB	
INL integral nonlinearity error		—	±1.5	±3.0	LSB	

Note: The characteristics apply when no pin functions other than A/D converter input are used. Absolute accuracy includes quantization errors. Offset error, full-scale error, DNL differential nonlinearity error, and INL integral nonlinearity error do not include quantization errors.

Note 1. The conversion time is the sum of the sampling time and the comparison time. As the test conditions, the number of sampling states is indicated.

Note 2. The value in parentheses indicates the sampling time.

Table 5.39 A/D Conversion Characteristics (3)

Conditions: $1.8\text{ V} \leq V_{CC} = V_{CC_USB} \leq 3.6\text{ V}$, $1.8\text{ V} \leq AV_{CC0} \leq 3.6\text{ V}$, $1.8\text{ V} \leq V_{REFH0} \leq AV_{CC0}$,
 $V_{SS} = AV_{SS0} = V_{REFL0} = V_{SS_USB} = 0\text{ V}$, $T_a = -40\text{ to }+105^\circ\text{C}$

Item		Min.	Typ.	Max.	Unit	Test Conditions
Frequency		1	—	8	MHz	
Resolution		—	—	12	Bit	
Conversion time*1 (Operation at PCLKD = 8 MHz)	Permissible signal source impedance (Max.) = 5.0 kΩ	4.875 (1.250)*2	—	—	μs	High-precision channel ADCSR.ADHSC bit = 0 ADSSTRn.SST[7:0] bits = 09h
		6.250 (2.625)*2	—	—	μs	Normal-precision channel ADCSR.ADHSC bit = 0 ADSSTRn.SST[7:0] bits = 14h
Analog input effective range		0	—	VREFH0	V	
Offset error		—	±0.5	±24.0	LSB	
Full-scale error		—	±1.25	±24.0	LSB	
Quantization error		—	±0.5	—	LSB	
Absolute accuracy		—	±2.75	±32.0	LSB	
DNL differential nonlinearity error		—	±1.0	—	LSB	
INL integral nonlinearity error		—	±1.25	±12.0	LSB	

Note: The characteristics apply when no pin functions other than A/D converter input are used. Absolute accuracy includes quantization errors. Offset error, full-scale error, DNL differential nonlinearity error, and INL integral nonlinearity error do not include quantization errors.

Note 1. The conversion time is the sum of the sampling time and the comparison time. As the test conditions, the number of sampling states is indicated.

Note 2. The value in parentheses indicates the sampling time.

Table 5.40 A/D Conversion Characteristics (4)

Conditions: $2.0\text{ V} \leq VCC = VCC_USB \leq 3.6\text{ V}$, $2.0\text{ V} \leq AVCC0 \leq 3.6\text{ V}$, $VSS = AVSS0 = VSS_USB = 0\text{ V}$,
 ADHVREFCNT.OCSVSEL = 1 (internal reference voltage selected as high-side reference voltage),
 PJ7PFS.ASEL = 0 (AVSS0 pin selected as low-side reference power supply ground pin)
 $T_a = -40\text{ to }+105^\circ\text{C}$

Item	Min.	Typ.	Max.	Unit	Test Conditions	
Frequency	1	—	2	MHz		
Resolution	—	—	12	Bit		
Internal reference voltage	1.36	1.43	1.50	V		
Conversion time*1 (Operation at PCLKD = 2 MHz)	Permissible signal source impedance (Max.) = 5.0 kΩ	16 (1.5)*2	—	—	μs	High-precision channel ADCSR.ADHSC bit = 0 ADSSTRn.SST[7:0] bits = 02h
		17.5 (3.0)*2	—	—		Normal-precision channel ADCSR.ADHSC bit = 0 ADSSTRn.SST[7:0] bits = 05h
Analog input effective range	0	—	Internal reference voltage	V		
Offset error	—	—	±24.0	LSB		
DNL differential nonlinearity error	—	±16.0	—	LSB		
INL integral nonlinearity error	—	±16.0	±32.0	LSB		

Note: The characteristics apply when no pin functions other than A/D converter input are used. Absolute accuracy includes quantization errors. Offset error, full-scale error, DNL differential nonlinearity error, and INL integral nonlinearity error do not include quantization errors.

Note 1. The conversion time is the sum of the sampling time and the comparison time. As the test conditions, the number of sampling states is indicated.

Note 2. The value in parentheses indicates the sampling time.

Table 5.41 A/D Converter Channel Classification

Classification	Channel	Conditions	Remarks
High-precision channel	AN000 to AN007, AN021	AVCC0 = 1.8 to 3.6 V	Pins AN000 to AN007 and AN021 cannot be used as digital outputs when the A/D converter is in use.
Normal-precision channel	AN008 to AN015		
Internal reference voltage input channel	Internal reference voltage	AVCC0 = 2.0 to 3.6 V	
Temperature sensor input channel	Temperature sensor output	AVCC0 = 2.0 to 3.6 V	

Table 5.42 A/D Internal Reference Voltage Characteristics

Conditions: $2.0\text{ V} \leq VCC = VCC_USB \leq 3.6\text{ V}$, $2.0\text{ V} \leq AVCC0 \leq 3.6\text{ V}$, $VSS = AVSS0 = VSS_USB = 0\text{ V}$, $T_a = -40\text{ to }+105^\circ\text{C}$

Item	Min.	Typ.	Max.	Unit	Test Conditions
Internal reference voltage input channel*2	1.36	1.43	1.50	V	

Note 1. The internal reference voltage cannot be selected for input channels when $AVCC0 < 2.0\text{ V}$.

Note 2. The A/D internal reference voltage indicates the voltage when the internal reference voltage is input to the A/D converter.

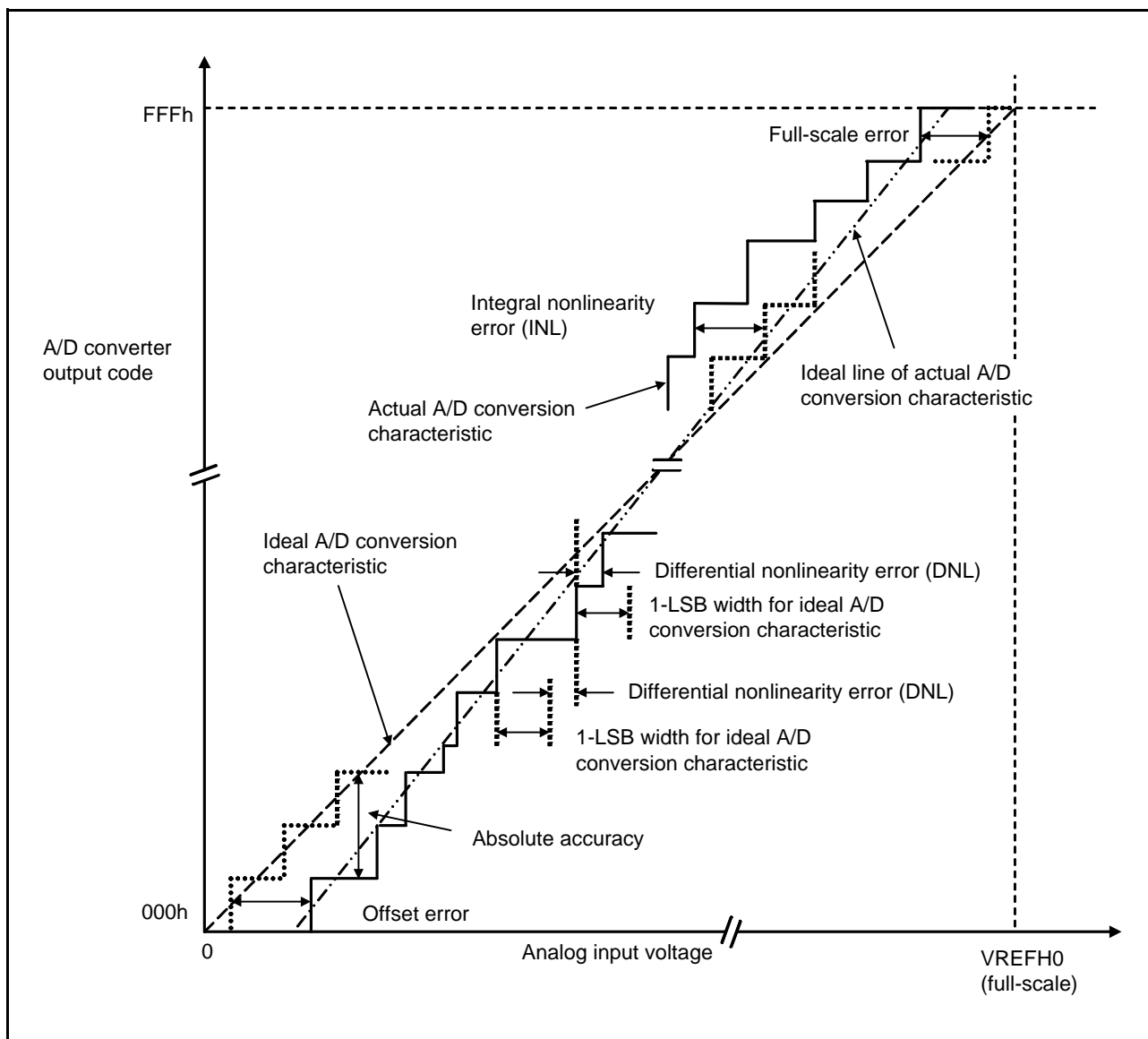


Figure 5.57 Illustration of A/D Converter Characteristic Terms

Absolute accuracy

Absolute accuracy is the difference between output code based on the theoretical A/D conversion characteristics, and the actual A/D conversion result. When measuring absolute accuracy, the voltage at the midpoint of the width of analog input voltage (1-LSB width), that can meet the expectation of outputting an equal code based on the theoretical A/D conversion characteristics, is used as an analog input voltage. For example, if 12-bit resolution is used and if reference voltage ($V_{REFH0} = 3.072\text{ V}$), then 1-LSB width becomes 0.75 mV, and 0 mV, 0.75 mV, 1.5 mV, ... are used as analog input voltages.

If analog input voltage is 6 mV, absolute accuracy = $\pm 5\text{ LSB}$ means that the actual A/D conversion result is in the range of 003h to 00Dh though an output code, 008h, can be expected from the theoretical A/D conversion characteristics.

Integral nonlinearity error (INL)

Integral nonlinearity error is the maximum deviation between the ideal line when the measured offset and full-scale errors are zeroed, and the actual output code.

Differential nonlinearity error (DNL)

Differential nonlinearity error is the difference between 1-LSB width based on the ideal A/D conversion characteristics and the width of the actual output code.

Offset error

Offset error is the difference between a transition point of the ideal first output code and the actual first output code.

Full-scale error

Full-scale error is the difference between a transition point of the ideal last output code and the actual last output code.

5.6 D/A Conversion Characteristics

Table 5.43 D/A Conversion Characteristics (1)

Conditions: $1.8\text{ V} \leq VCC = VCC_USB \leq 3.6\text{ V}$, $1.8\text{ V} \leq AVCC0 \leq 3.6\text{ V}$, $1.8\text{ V} \leq VREFH \leq AVCC0$, $VSS = AVSS0 = VREFL = VSS_USB = 0\text{ V}$, $T_a = -40\text{ to }+105^\circ\text{C}$
Reference voltage = VREFH and VREFL selected

Item	Min.	Typ.	Max.	Unit	Test Conditions
Resolution	—	—	12	Bit	
Resistive load	30	—	—	k Ω	
Capacitive load	—	—	50	pF	
Output voltage range*1	0.35	—	VREFH	V	VREFH \leq AVCC0 – 0.47 V
	0.35	—	AVCC0 – 0.47	V	VREFH > AVCC0 – 0.47 V
DNL differential nonlinearity error	—	± 0.5	± 1.0	LSB	
INL integral nonlinearity error	—	± 2.0	± 8.0	LSB	
Offset error	—	—	± 20	mV	
Full-scale error	—	—	± 20	mV	
Output resistance	—	75	—	Ω	
Conversion time	—	—	30	μs	

Note 1. There are restrictions on AVCC0 and VCC depending on the usage conditions for the 12-bit D/A converter and I/O ports.
When using ports J0 and J2 as DA0 and DA1 output, make sure that $VCC \geq$ D/A output voltage.

Table 5.44 D/A Conversion Characteristics (2)

Conditions: $1.8\text{ V} \leq VCC = VCC_USB \leq 3.6\text{ V}$, $1.8\text{ V} \leq AVCC0 = VREFH \leq 3.6\text{ V}$, $VSS = AVSS0 = VREFL = VSS_USB = 0\text{ V}$,
 $T_a = -40\text{ to }+105^\circ\text{C}$
Reference voltage = AVCC0 and AVSS0 selected

Item	Min.	Typ.	Max.	Unit	Test Conditions
Resolution	—	—	12	Bit	
Resistive load	30	—	—	k Ω	
Capacitive load	—	—	50	pF	
Output voltage range*1	0.35	—	AVCC0 – 0.47	V	
DNL differential nonlinearity error	—	± 0.5	± 2.0	LSB	
INL integral nonlinearity error	—	± 2.0	± 8.0	LSB	
Offset error	—	—	± 30	mV	
Full-scale error	—	—	± 30	mV	
Output resistance	—	75	—	Ω	
Conversion time	—	—	30	μs	

Note 1. There are restrictions on AVCC0 and VCC depending on the usage conditions for the 12-bit D/A converter and I/O ports.
When using ports J0 and J2 as DA0 and DA1 output, make sure that $VCC \geq$ D/A output voltage.

Table 5.45 D/A Conversion Characteristics (3)

Conditions: $2.0\text{ V} \leq VCC = VCC_USB \leq 3.6\text{ V}$, $2.0\text{ V} \leq AVCC0 \leq 3.6\text{ V}$, $VSS = AVSS0 = VSS_USB = 0\text{ V}$, $T_a = -40\text{ to }+105^\circ\text{C}$
 Reference voltage = internal reference voltage selected

Item	Min.	Typ.	Max.	Unit	Test Conditions
Resolution	—	—	12	Bit	
Internal reference voltage (Vbgr)	1.36	1.43	1.50	V	
Resistive load	30	—	—	k Ω	
Capacitive load	—	—	50	pF	
Output voltage range	0.35	—	Vbgr	V	
DNL differential nonlinearity error	—	± 2.0	± 16.0	LSB	
INL integral nonlinearity error	—	± 8.0	± 16.0	LSB	
Offset error	—	—	± 30	mV	
Output resistance	—	75	—	Ω	
Conversion time	—	—	30	μs	

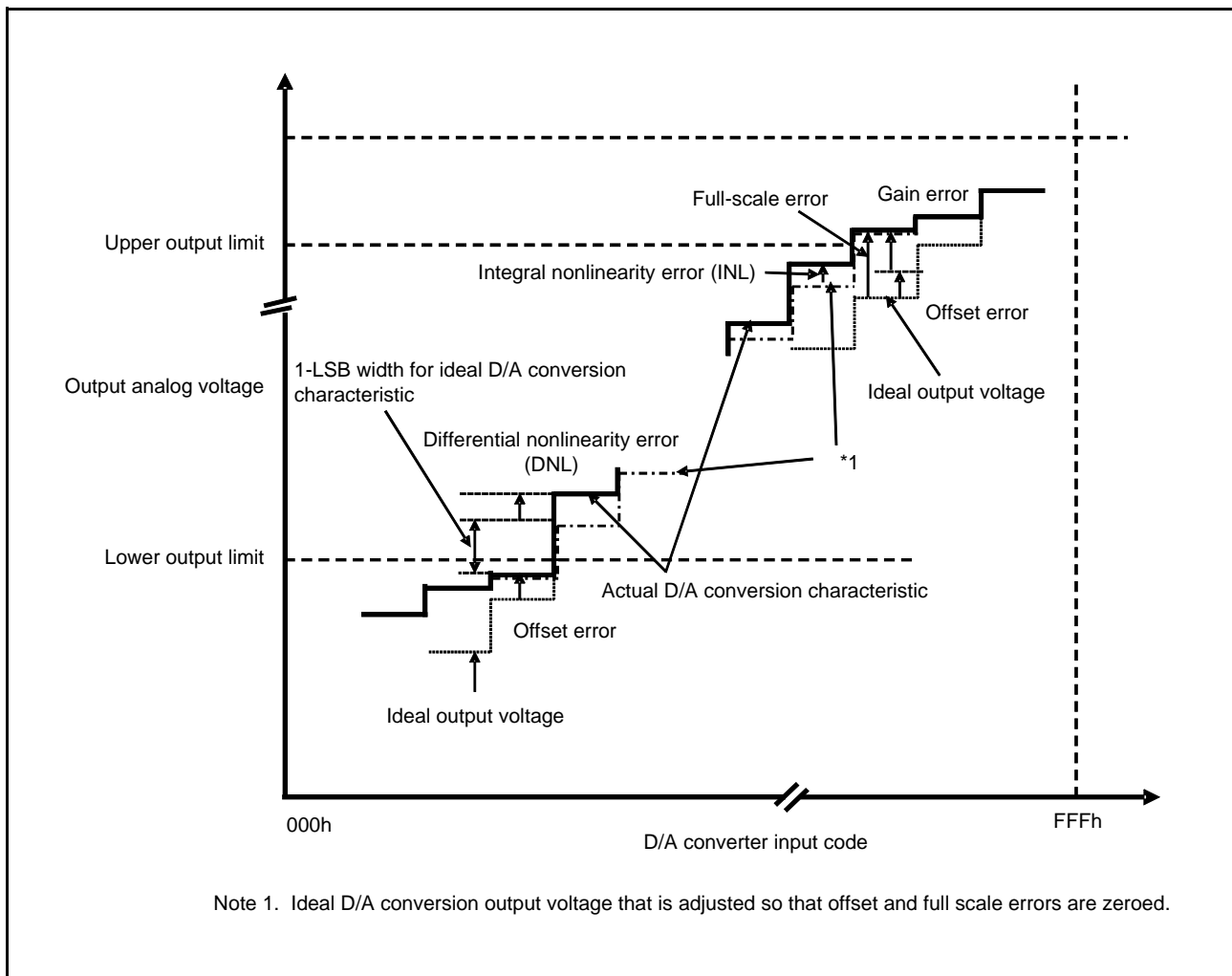


Figure 5.58 Illustration of D/A Converter Characteristic Terms

Integral nonlinearity error (INL)

Integral nonlinearity error is the maximum deviation between the ideal output voltage based on the ideal conversion characteristic when the measured offset and full-scale errors are zeroed, and the actual output voltage.

Differential nonlinearity error (DNL)

Differential nonlinearity error is the difference between 1-LSB voltage width based on the ideal D/A conversion characteristics and the width of the actual output voltage.

Offset error

Offset error is the difference between the highest actual output voltage that falls below the lower output limit and the ideal output voltage based on the input code.

Full-scale error

Full-scale error is the difference between the lowest actual output voltage that exceeds the upper output limit and the ideal output voltage based on the input code.

5.7 Temperature Sensor Characteristics

Table 5.46 Temperature Sensor Characteristics

 Conditions: $2.0\text{ V} \leq VCC = VCC_USB \leq 3.6\text{ V}$, $2.0\text{ V} \leq AVCC0 \leq 3.6\text{ V}$, $VSS = AVSS0 = VSS_USB = 0\text{ V}$, $T_a = -40\text{ to }+105^\circ\text{C}$

Item	Symbol	Min.	Typ.	Max.	Unit	Test Conditions
Relative accuracy	—	—	± 1.5	—	°C	2.4 V or above
		—	± 2.0	—		Below 2.4 V
Temperature slope	—	—	-3.65	—	mV/°C	
Output voltage (25°C)	—	—	1.05	—	V	VCC = 3.3 V
Temperature sensor start time	t _{START}	—	—	5	µs	
Sampling time	—	5	—	—	µs	

5.8 Comparator Characteristics

Table 5.47 Comparator Characteristics

 Conditions: $1.8\text{ V} \leq VCC = VCC_USB \leq 3.6\text{ V}$, $1.8\text{ V} \leq AVCC0 \leq 3.6\text{ V}$, $VSS = AVSS0 = VSS_USB = 0\text{ V}$, $T_a = -40\text{ to }+105^\circ\text{C}$

Item	Symbol	Min.	Typ.	Max.	Unit	Test Conditions
CVREFB0 or CVREFB1 input reference voltage	VREF	0	—	VCC - 1.4	V	
CMPB0 or CMPB1 input voltage	VI	-0.3	—	VCC + 0.3	V	
Offset	Comparator high-speed mode	—	—	50	mV	
	Comparator high-speed mode Window function enabled	—	—	60	mV	
	Comparator low-speed mode	—	—	40	mV	
Comparator output delay time	Comparator high-speed mode	Td	—	1.2	µs	VCC = 3 V, input slew rate ≥ 50 mV/µs
	Comparator high-speed mode Window function enabled	Tdw	—	2	µs	
	Comparator low-speed mode	Td	—	5	µs	
High-side reference voltage (comparator high-speed mode, window function enabled)	VRFH	—	$0.76 \times VCC$	—	V	
Low-side reference voltage (comparator high-speed mode, window function enabled)	VRFL	—	$0.24 \times VCC$	—	V	
Operation stabilization wait time	Tcmp	100	—	—	µs	

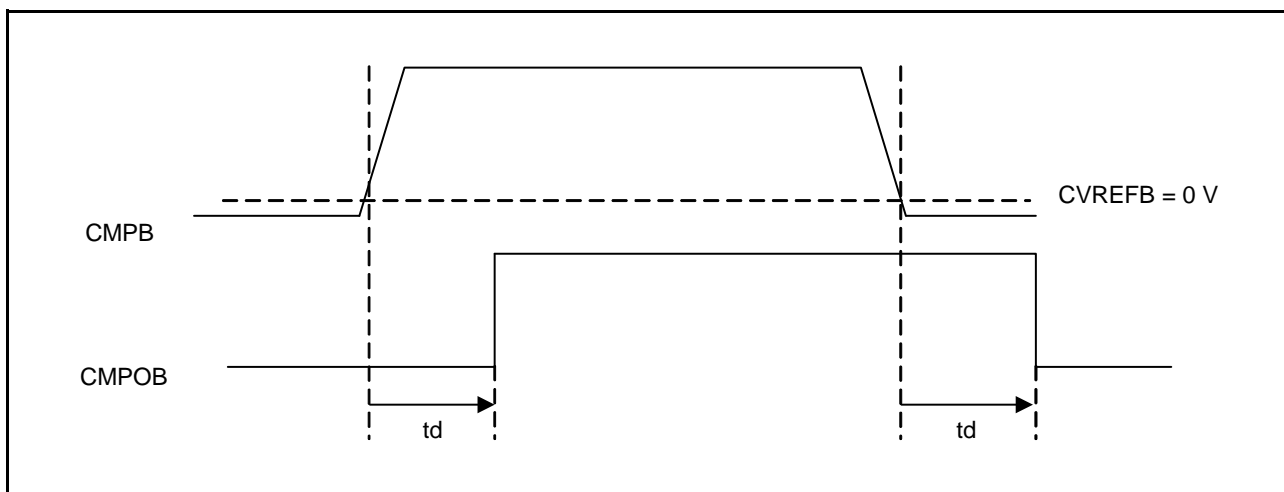


Figure 5.59 Comparator Output Delay Time in Comparator High-Speed Mode and Low-Speed Mode

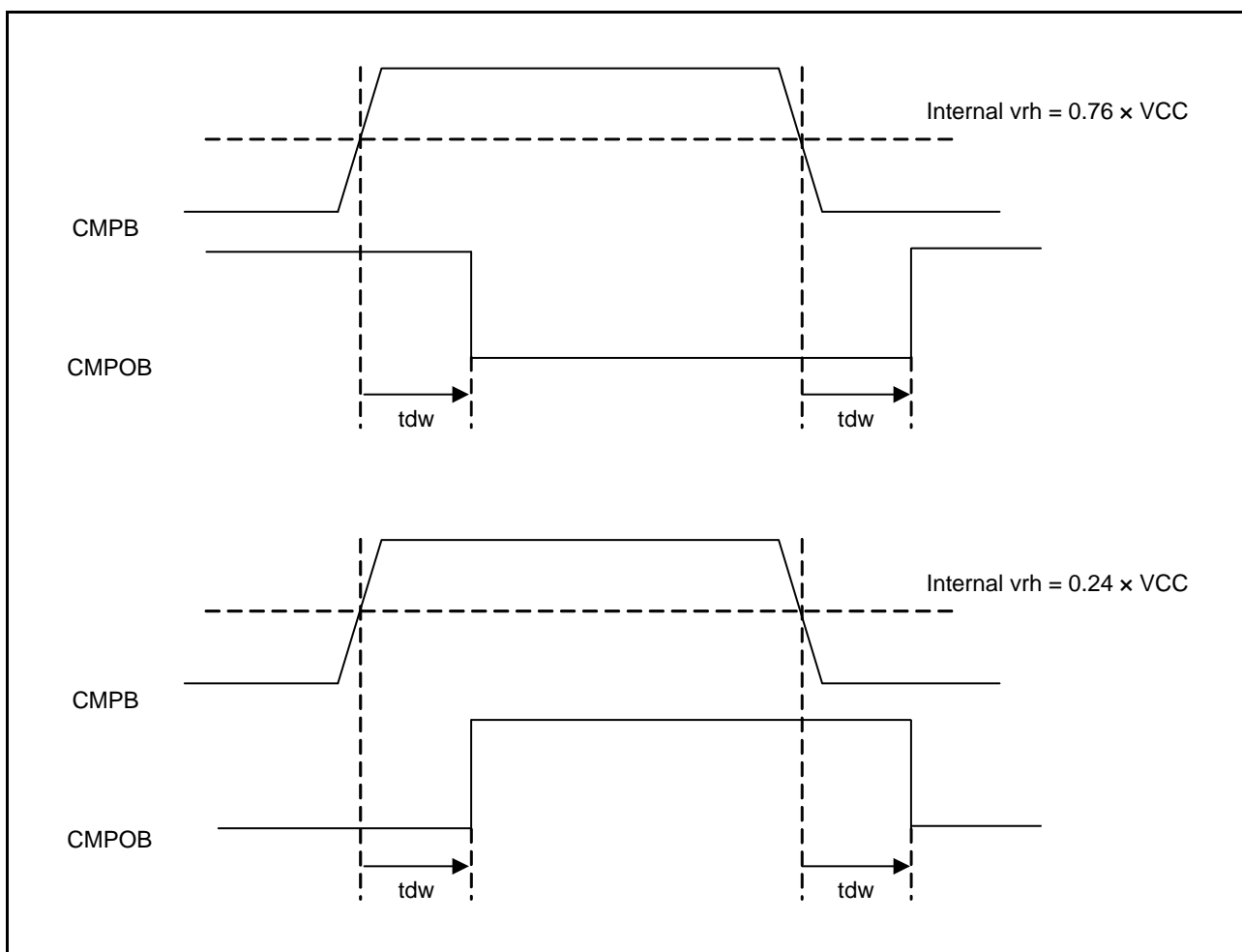


Figure 5.60 Comparator Output Delay Time in High-Speed Mode with Window Function Enabled

5.9 LCD Characteristics

5.9.1 External Resistance Division Method

(1) Static Display Mode

Table 5.48 LCD Characteristics

Conditions: $2.0\text{ V} \leq VCC = VCC_USB \leq 3.6\text{ V}$, $2.0\text{ V} \leq AVCC0 \leq 3.6\text{ V}$, $VSS = AVSS0 = VSS_USB = 0\text{ V}$, $T_a = -40\text{ to }+105^\circ\text{C}$

Item	Symbol	Min.	Typ.	Max.	Unit	Test Conditions
LCD drive voltage	V_{L4}	2.0	—	VCC	V	

(2) 1/2 Bias Method, 1/4 Bias Method

Table 5.49 LCD Characteristics

Conditions: $2.7\text{ V} \leq VCC = VCC_USB \leq 3.6\text{ V}$, $2.7\text{ V} \leq AVCC0 \leq 3.6\text{ V}$, $VSS = AVSS0 = VSS_USB = 0\text{ V}$, $T_a = -40\text{ to }+105^\circ\text{C}$

Item	Symbol	Min.	Typ.	Max.	Unit	Test Conditions
LCD drive voltage	V_{L4}	2.7	—	VCC	V	

(3) 1/3 Bias Method

Table 5.50 LCD Characteristics

Conditions: $2.5\text{ V} \leq VCC = VCC_USB \leq 3.6\text{ V}$, $2.5\text{ V} \leq AVCC0 \leq 3.6\text{ V}$, $VSS = AVSS0 = VSS_USB = 0\text{ V}$, $T_a = -40\text{ to }+105^\circ\text{C}$

Item	Symbol	Min.	Typ.	Max.	Unit	Test Conditions
LCD drive voltage	V_{L4}	2.5	—	VCC	V	

5.9.2 Internal Voltage Boosting Method

Table 5.51 Internal Voltage Boosting Method

Conditions: $1.8\text{ V} \leq V_{CC} = V_{CC_USB} \leq 3.6\text{ V}$, $1.8\text{ V} \leq AV_{CC0} \leq 3.6\text{ V}$, $V_{SS} = AV_{SS0} = V_{SS_USB} = 0\text{ V}$, $T_a = -40\text{ to }+105^\circ\text{C}$

Item	Value	Test Conditions
External capacitance connected between CAPH and CAPL pins	0.47 $\mu\text{F} \pm 30\%$	
External capacitance connected to V_{L1} to V_{L4} pins	0.47 $\mu\text{F} \pm 30\%$	

(1) 1/3 Bias Method

Table 5.52 Internal Voltage Boosting Method LCD Characteristics

Conditions: $1.8\text{ V} \leq V_{CC} = V_{CC_USB} \leq 3.6\text{ V}$, $1.8\text{ V} \leq AV_{CC0} \leq 3.6\text{ V}$, $V_{SS} = AV_{SS0} = V_{SS_USB} = 0\text{ V}$, $T_a = -40\text{ to }+105^\circ\text{C}$

Item	Symbol	Min.	Typ.	Max.	Unit	Test Conditions
LCD output voltage variation range	V_{L1}	0.9	1.0	1.08	V	VLCD = 04h
		0.95	1.05	1.13	V	VLCD = 05h
		1	1.1	1.18	V	VLCD = 06h
		1.05	1.15	1.23	V	VLCD = 07h
		1.1	1.2	1.28	V	VLCD = 08h
		1.15	1.25	1.33	V	VLCD = 09h
		1.2	1.3	1.38	V	VLCD = 0Ah
		1.25	1.35	1.43	V	VLCD = 0Bh
		1.3	1.4	1.48	V	VLCD = 0Ch
		1.35	1.45	1.53	V	VLCD = 0Dh
		1.4	1.5	1.58	V	VLCD = 0Eh
		1.45	1.55	1.63	V	VLCD = 0Fh
		1.5	1.6	1.68	V	VLCD = 10h
		1.55	1.65	1.73	V	VLCD = 11h
		1.6	1.70	1.78	V	VLCD = 12h
1.65	1.75	1.83	V	VLCD = 13h		
Doubler output voltage	V_{L2}	$2V_{L1} - 0.10$	$2V_{L1}$	$2V_{L1}$	V	
Tripler output voltage	V_{L4}	$3V_{L1} - 0.15$	$3V_{L1}$	$3V_{L1}$	V	
Reference voltage setup time*1	t_{VL1S}	5	—	—	ms	
LCD output voltage variation range*2	t_{VLWT}	500	—	—	ms	

Note 1. This is the required wait time from when the reference voltage is specified by the VLCD register (or when the internal voltage boosting method is selected (LCDM0.MDSET1 and MDSET0 = 01b) if the default reference voltage value is used) until voltage boosting starts (VLCON = 1).

Note 2. This is the wait time from when voltage boosting is started (VLCON = 1) until display is enabled (LCDON = 1).

(2) 1/4 Bias Method

Table 5.53 Internal Voltage Boosting Method LCD CharacteristicsConditions: $1.8\text{ V} \leq VCC = VCC_USB \leq 3.6\text{ V}$, $1.8\text{ V} \leq AVCC0 \leq 3.6\text{ V}$, $VSS = AVSS0 = VSS_USB = 0\text{ V}$, $T_a = -40\text{ to }+105^\circ\text{C}$

Item	Symbol	Min.	Typ.	Max.	Unit	Test Conditions
LCD output voltage variation range	V_{L1}	0.9	1.0	1.08	V	VLCD = 04h
		0.95	1.05	1.13	V	VLCD = 05h
		1	1.1	1.18	V	VLCD = 06h
		1.05	1.15	1.23	V	VLCD = 07h
		1.1	1.2	1.28	V	VLCD = 08h
		1.15	1.25	1.33	V	VLCD = 09h
		1.2	1.3	1.38	V	VLCD = 0Ah
Doubler output voltage	V_{L2}	$2V_{L1} - 0.08$	$2V_{L1}$	$2V_{L1}$	V	
Tripler output voltage	V_{L3}	$3V_{L1} - 0.12$	$3V_{L1}$	$3V_{L1}$	V	
Quadruply output voltage	V_{L4}	$4V_{L1} - 0.16$	$4V_{L1}$	$4V_{L1}$	V	
Reference voltage setup time*1	t_{VL1S}	5	—	—	ms	
Voltage boost wait time*2	t_{VLWT}	500	—	—	ms	

Note 1. This is the required wait time from when the reference voltage is specified by the VLCD register (or when the internal voltage boosting method is selected (LCDM0.MDSET1 and MDSET0 = 01b) if the default reference voltage value is used) until voltage boosting starts (VLCON = 1).

Note 2. This is the wait time from when voltage boosting is started (VLCON = 1) until display is enabled (LCDON = 1).

5.9.3 Capacitor Split Method

Table 5.54 Capacitor Split Method

Conditions: $2.2\text{ V} \leq VCC = VCC_USB \leq 3.6\text{ V}$, $2.2\text{ V} \leq AVCC0 \leq 3.6\text{ V}$, $VSS = AVSS0 = VSS_USB = 0\text{ V}$, $T_a = -40\text{ to }+105^\circ\text{C}$

Item	Value	Test Conditions
External capacitance connected between CAPH and CAPL pins	0.47 $\mu\text{F} \pm 30\%$	
External capacitor connected to V_{L1} pin	0.47 $\mu\text{F} \pm 30\%$	
External capacitor connected to V_{L2} pin	0.47 $\mu\text{F} \pm 30\%$	
External capacitor connected to V_{L4} pin	0.47 $\mu\text{F} \pm 30\%$	

(1) 1/3 Bias Method

Table 5.55 Capacitor Split Method LCD Characteristics

Conditions: $2.2\text{ V} \leq VCC = VCC_USB \leq 3.6\text{ V}$, $2.2\text{ V} \leq AVCC0 \leq 3.6\text{ V}$, $VSS = AVSS0 = VSS_USB = 0\text{ V}$, $T_a = -40\text{ to }+105^\circ\text{C}$

Item	Symbol	Min.	Typ.	Max.	Unit	Test Conditions
V_{L4} voltage	V_{L4}	—	VCC	—	V	
V_{L2} voltage	V_{L2}	$2/3V_{L4} - 0.07$	$2/3V_{L4}$	$2/3V_{L4} + 0.07$	V	
V_{L1} voltage	V_{L1}	$1/3V_{L4} - 0.08$	$2/3V_{L4}$	$2/3V_{L4} + 0.08$	V	
Capacitor split wait time*1	t_{WAIT}	100	—	—	ms	

Note 1. This is the wait time from when voltage bucking is started ($VLCON = 1$) until display is enabled ($LCDON = 1$).

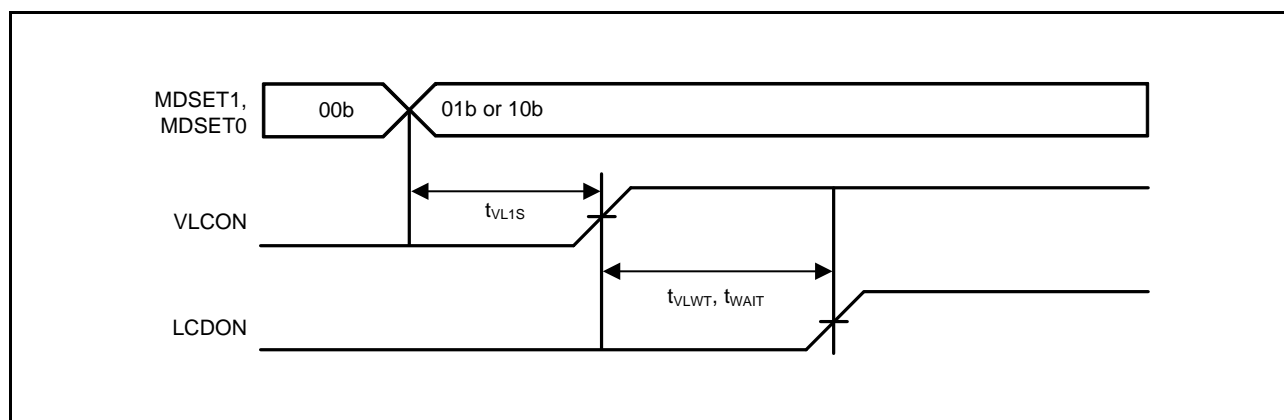


Figure 5.61 LCD Reference Voltage Setup Time, Voltage Boosting Wait Time, and Capacitor Split Wait Time

5.10 CTSU Characteristics

Table 5.56 CTSU CharacteristicsConditions: $1.8\text{ V} \leq VCC = VCC_USB \leq 3.6\text{ V}$, $1.8\text{ V} \leq AVCC0 \leq 3.6\text{ V}$, $VSS = AVSS0 = VSS_USB = 0\text{ V}$, $T_a = -40\text{ to }+105^\circ\text{C}$

Item	Symbol	Min.	Typ.	Max.	Unit	Test Conditions
External capacitance connected to TSCAP pin	C_{tscap}	9	10	11	nF	
TS pin capacitive load	C_{base}	—	—	50	pF	

5.11 Power-On Reset Circuit and Voltage Detection Circuit Characteristics

Table 5.57 Power-On Reset Circuit and Voltage Detection Circuit Characteristics (1)Conditions: $1.8\text{ V} \leq \text{VCC} = \text{VCC_USB} \leq 3.6\text{ V}$, $1.8\text{ V} \leq \text{AVCC0} \leq 3.6\text{ V}$, $\text{VSS} = \text{AVSS0} = \text{VSS_USB} = 0\text{ V}$, $T_a = -40$ to $+105^\circ\text{C}$

Item		Symbol	Min.	Typ.	Max.	Unit	Test Conditions
Voltage detection level	Power-on reset (POR)	V_{POR}	1.35	1.50	1.65	V	Figure 5.62, Figure 5.63
	Voltage detection circuit (LVD1)*1	$V_{\text{det1_4}}$	3.00	3.10	3.20	V	Figure 5.64 At falling edge VCC
		$V_{\text{det1_5}}$	2.91	3.00	3.09		
		$V_{\text{det1_6}}$	2.81	2.90	2.99		
		$V_{\text{det1_7}}$	2.70	2.79	2.88		
		$V_{\text{det1_8}}$	2.60	2.68	2.76		
		$V_{\text{det1_9}}$	2.50	2.58	2.66		
		$V_{\text{det1_A}}$	2.40	2.48	2.56		
		$V_{\text{det1_B}}$	1.99	2.06	2.13		
		$V_{\text{det1_C}}$	1.90	1.96	2.02		
$V_{\text{det1_D}}$	1.80	1.86	1.92				

Note: These characteristics apply when noise is not superimposed on the power supply. When a setting is made so that the voltage detection level overlaps with that of the voltage detection circuit (LVD2), it cannot be specified which of LVD1 and LVD2 is used for voltage detection.

Note 1. n in the symbol $V_{\text{det1_n}}$ denotes the value of the $\text{LVDLVLR.LVD1LVL}[3:0]$ bits.

Table 5.58 Power-On Reset Circuit and Voltage Detection Circuit Characteristics (2)Conditions: $1.8\text{ V} \leq \text{VCC} = \text{VCC_USB} \leq 3.6\text{ V}$, $1.8\text{ V} \leq \text{AVCC0} \leq 3.6\text{ V}$, $\text{VSS} = \text{AVSS0} = \text{VSS_USB} = 0\text{ V}$, $T_a = -40$ to $+105^\circ\text{C}$

Item		Symbol	Min.	Typ.	Max.	Unit	Test Conditions
Voltage detection level	Voltage detection circuit (LVD2)*1	$V_{\text{det2_0}}$	2.71	2.90	3.09	V	Figure 5.65 At falling edge VCC
		$V_{\text{det2_1}}$	2.43	2.60	2.77		
		$V_{\text{det2_2}}$	1.87	2.00	2.13		
		$V_{\text{det2_3}}^*2$	1.69	1.80	1.91		
Wait time after power-on reset cancellation	At normal startup*3	t_{POR}	—	9.1	—	ms	Figure 5.63
	During fast startup time*4	t_{POR}	—	1.6	—		
Wait time after voltage monitoring 1 reset cancellation	Power-on voltage monitoring 1 reset disabled*3	t_{LVD1}	—	568	—	μs	Figure 5.64
	Power-on voltage monitoring 1 reset enabled*4		—	100	—		
Wait time after voltage monitoring 2 reset cancellation		t_{LVD2}	—	100	—	μs	Figure 5.65
Response delay time		t_{det}	—	—	350	μs	Figure 5.62
Minimum VCC down time*5		t_{VOFF}	350	—	—	μs	Figure 5.62, $\text{VCC} = 1.0\text{ V}$ or above
Power-on reset enable time		$t_{\text{W}}(\text{POR})$	1	—	—	ms	Figure 5.63, $\text{VCC} = \text{below } 1.0\text{ V}$
LVD operation stabilization time (after LVD is enabled)		$T_{\text{d}}(\text{E-A})$	—	—	300	μs	Figure 5.64, Figure 5.65
Hysteresis width (LVD1 and LVD2)		V_{LVH}	—	70	—	mV	Vdet1_4 selected
			—	60	—		Vdet1_5 to 9, LVD2 selected
			—	50	—		When selection is from among Vdet1_A to B.
			—	40	—		When selection is from among Vdet1_C to D.

Note: These characteristics apply when noise is not superimposed on the power supply. When a setting is made so that the voltage detection level overlaps with that of the voltage detection circuit (LVD1), it cannot be specified which of LVD1 and LVD2 is used for voltage detection.

Note 1. n in the symbol $V_{\text{det2_n}}$ denotes the value of the $\text{LVDLVLR.LVD2LVL}[3:0]$ bits.

Note 2. $V_{\text{det2_3}}$ selection can be used only when the CMPA2 pin input voltage is selected and cannot be used when the power supply voltage (VCC) is selected.

Note 3. When $\text{OFS1}(\text{STUPLVD1REN}, \text{FASTSTUP}) = 11\text{b}$.

Note 4. When $\text{OFS1}(\text{STUPLVD1REN}, \text{FASTSTUP}) \neq 11\text{b}$.

Note 5. The minimum VCC down time indicates the time when VCC is below the minimum value of voltage detection levels V_{POR} , V_{det0} , V_{det1} , and V_{det2} for the POR/LVD.

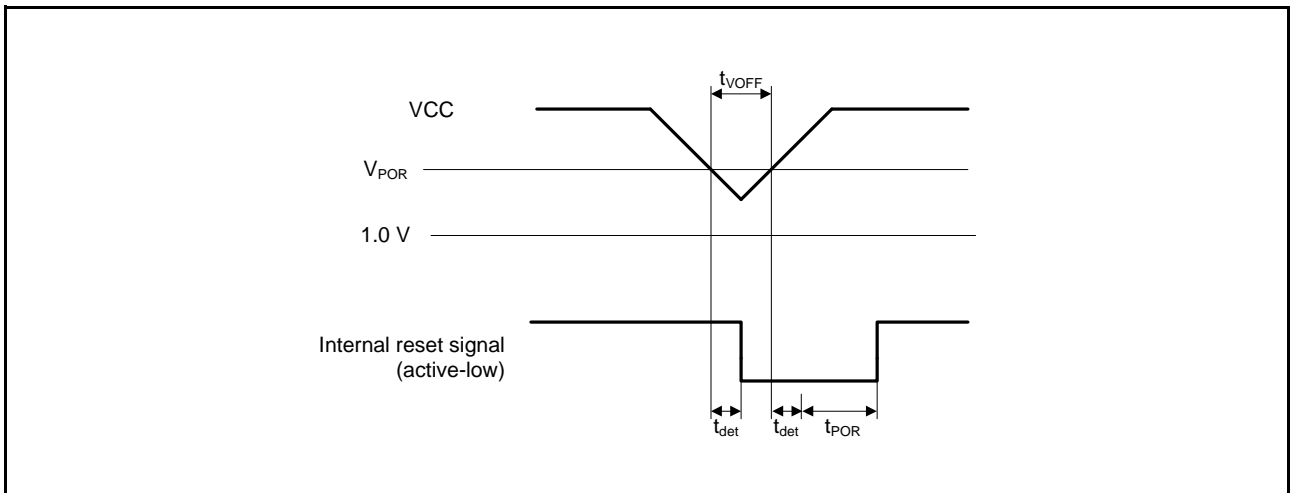
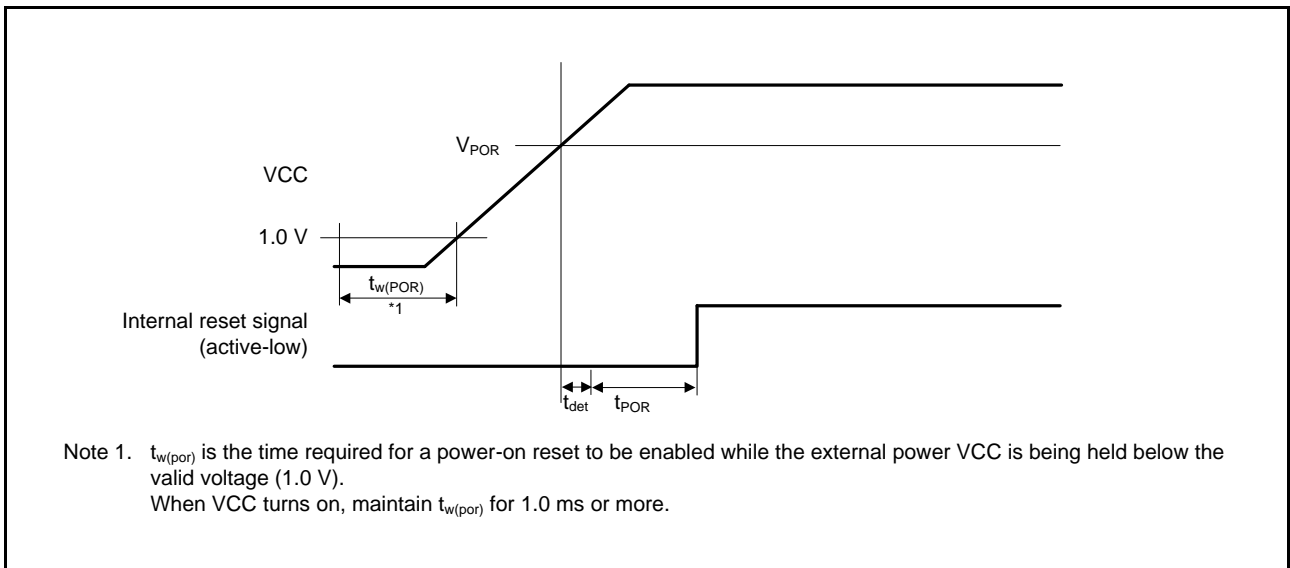


Figure 5.62 Voltage Detection Reset Timing



Note 1. $t_{w(POR)}$ is the time required for a power-on reset to be enabled while the external power VCC is being held below the valid voltage (1.0 V).
When VCC turns on, maintain $t_{w(POR)}$ for 1.0 ms or more.

Figure 5.63 Power-On Reset Timing

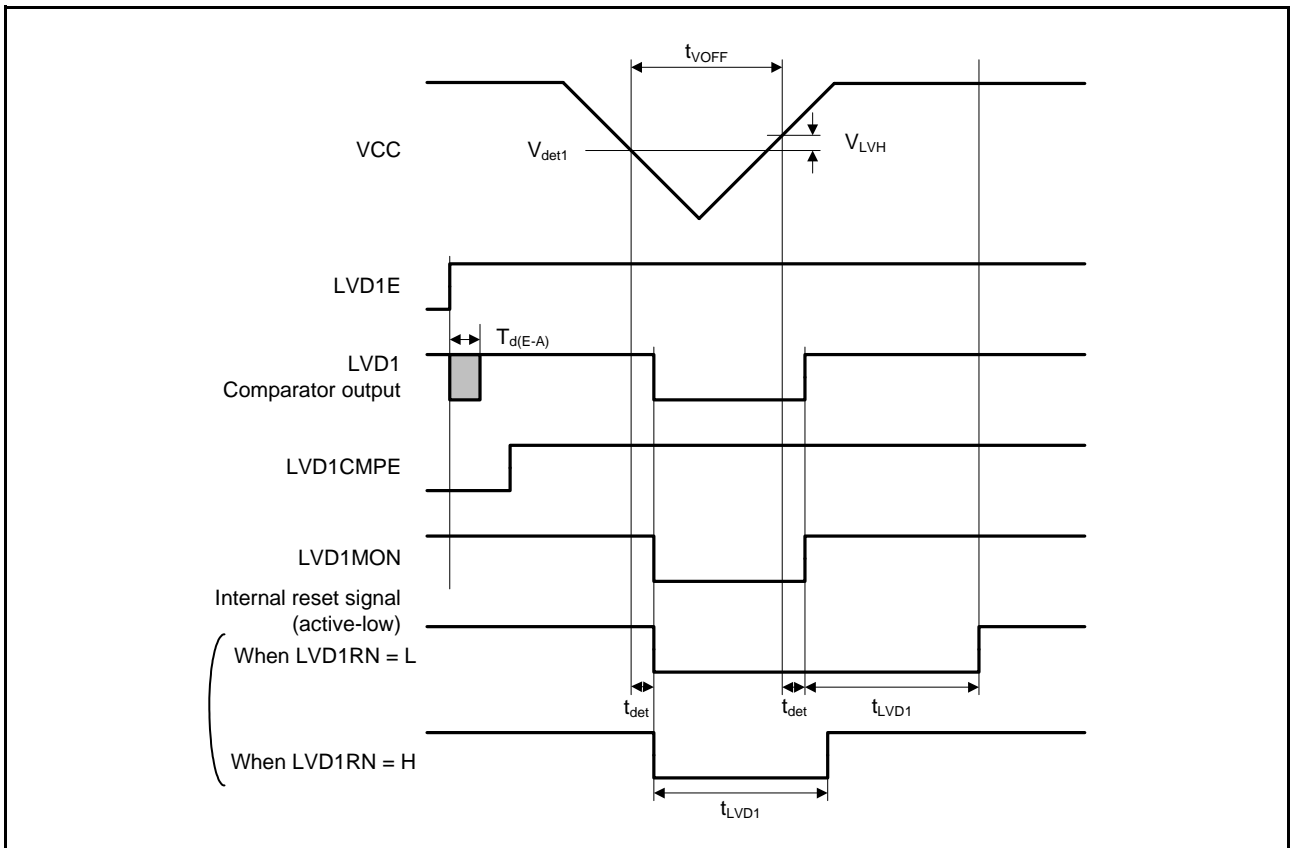


Figure 5.64 Voltage Detection Circuit Timing (V_{det1})

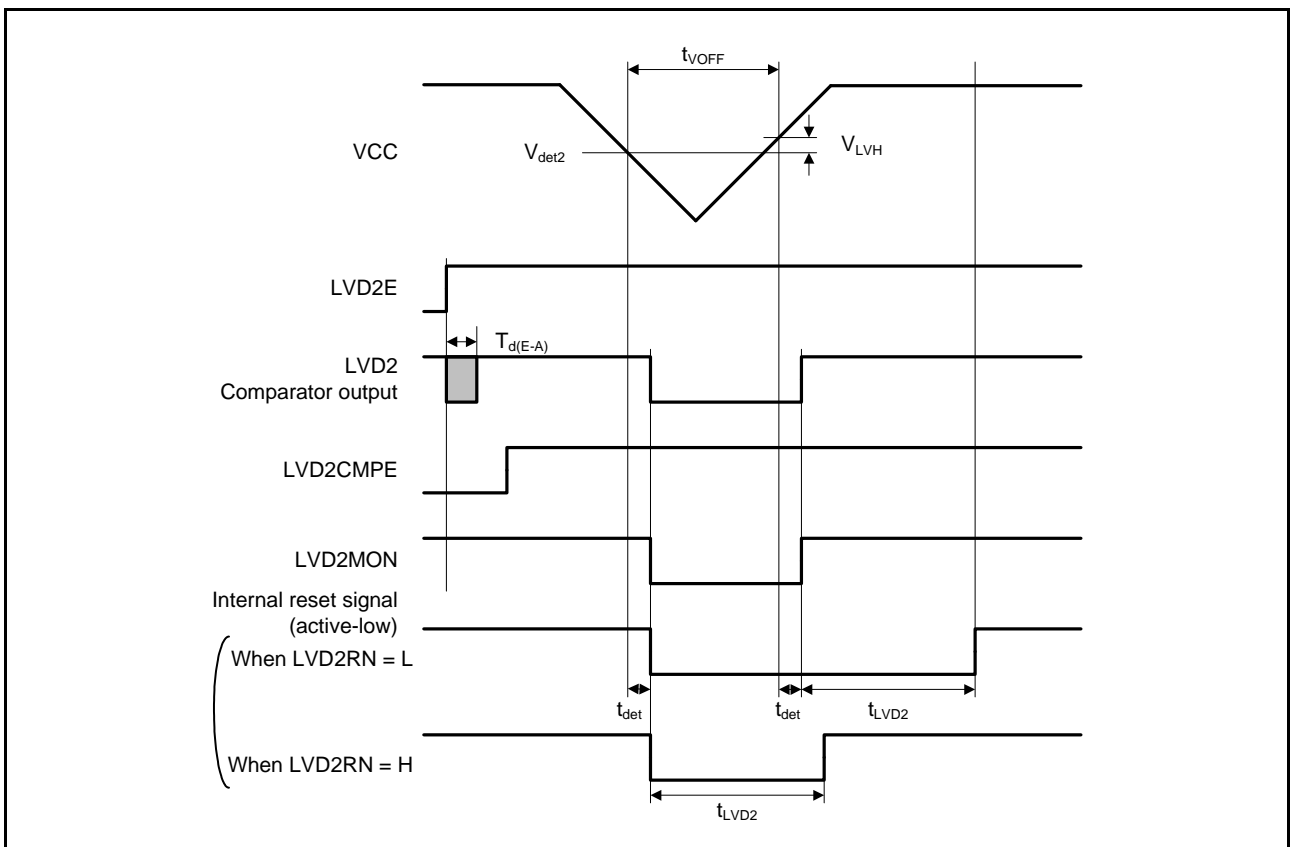


Figure 5.65 Voltage Detection Circuit Timing (V_{det2})

5.12 Oscillation Stop Detection Timing

Table 5.59 Oscillation Stop Detection Circuit Characteristics

Conditions: $1.8\text{ V} \leq VCC = VCC_USB \leq 3.6\text{ V}$, $1.8\text{ V} \leq AVCC0 \leq 3.6\text{ V}$, $VSS = AVSS0 = VSS_USB = 0\text{ V}$, $T_a = -40\text{ to }+105^\circ\text{C}$

Item	Symbol	Min.	Typ.	Max.	Unit	Test Conditions
Detection time	t_{dr}	—	—	1	ms	Figure 5.66

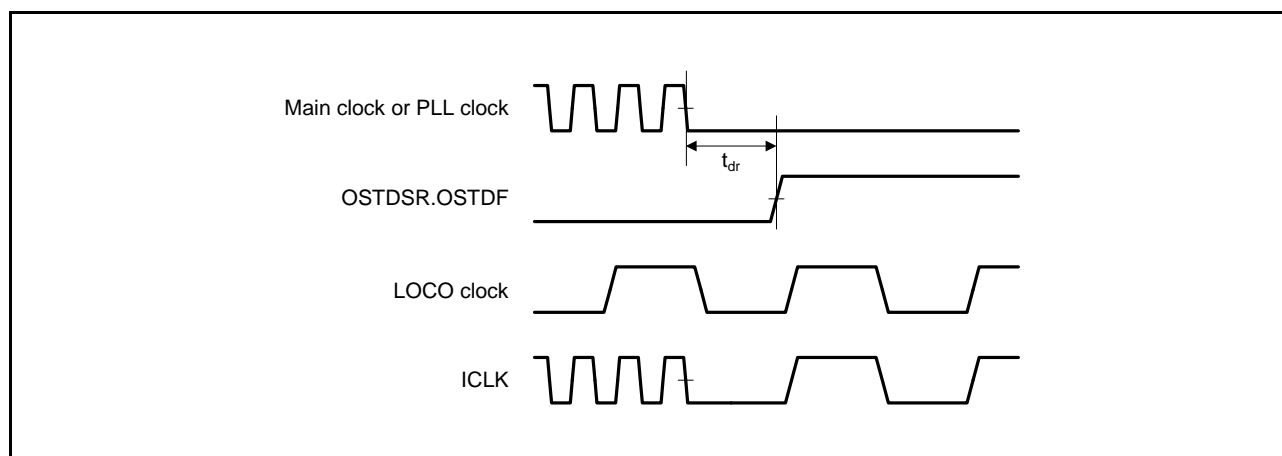


Figure 5.66 Oscillation Stop Detection Timing

5.13 ROM (Flash Memory for Code Storage) Characteristics

Table 5.60 ROM (Flash Memory for Code Storage) Characteristics (1)

Item		Symbol	Min.	Typ.	Max.	Unit	Conditions
Reprogramming/erasure cycle*1		N_{PEC}	1000	—	—	Times	
Data hold time	After 1000 times of N_{PEC}	t_{DRP}	$20^{*2}, *3$	—	—	Year	$T_a = +85^{\circ}\text{C}$

Note 1. Definition of reprogram/erase cycle: The reprogram/erase cycle is the number of erasing for each block. When the reprogram/erase cycle is n times ($n = 1000$), erasing can be performed n times for each block. For instance, when 4-byte programming is performed 256 times for different addresses in 1-Kbyte block and then the entire block is erased, the reprogram/erase cycle is counted as one. However, programming the same address for several times as one erasing is not enabled (overwriting is prohibited).

Note 2. Characteristic when using the flash memory programmer and the self-programming library provided from Renesas Electronics.

Note 3. This result is obtained from reliability testing.

Table 5.61 ROM (Flash Memory for Code Storage) Characteristics (2)

High-speed operating mode Conditions: $2.7\text{ V} \leq V_{CC} \leq 3.6\text{ V}$, $2.7\text{ V} \leq AV_{CC0} \leq 3.6\text{ V}$, $V_{SS} = AV_{SS0} = V_{SS_USB} = 0\text{ V}$

Temperature range for the programming/erasure operation: $T_a = -40$ to $+105^{\circ}\text{C}$

Item		Symbol	FCLK = 1 MHz			FCLK = 32 MHz			Unit
			Min.	Typ.	Max.	Min.	Typ.	Max.	
Programming time	4-byte	t_{P4}	—	103	931	—	52	489	μs
Erasure time	1-Kbyte	t_{E1K}	—	8.23	267	—	5.48	214	ms
	256-Kbyte	t_{E256K}	—	407	925	—	39	457	ms
Blank check time	4-byte	t_{BC4}	—	—	48	—	—	15.9	μs
	1-Kbyte	t_{BC1K}	—	—	1.58	—	—	0.127	ms
Erase operation forcible stop time		t_{SED}	—	—	21.6	—	—	12.8	μs
Start-up area switching setting time		t_{SAS}	—	12.6	543	—	6.16	432	ms
Access window time		t_{AWS}	—	12.6	543	—	6.16	432	ms
ROM mode transition wait time 1		t_{DIS}	2	—	—	2	—	—	μs
ROM mode transition wait time 2		t_{MS}	5	—	—	5	—	—	μs

Note: Does not include the time until each operation of the flash memory is started after instructions are executed by software.

Note: The lower-limit frequency of FCLK is 1 MHz during programming or erasing of the flash memory. When using FCLK at below 4 MHz, the frequency can be set to 1 MHz, 2 MHz, or 3 MHz. A non-integer frequency such as 1.5 MHz cannot be set.

Note: The frequency accuracy of FCLK should be $\pm 3.5\%$. Confirm the frequency accuracy of the clock source.

Table 5.62 ROM (Flash Memory for Code Storage) Characteristics (3)Middle-speed operating mode Conditions: $1.8\text{ V} \leq \text{VCC} \leq 3.6\text{ V}$, $1.8\text{ V} \leq \text{AVCC0} \leq 3.6\text{ V}$, $\text{VSS} = \text{AVSS0} = \text{VSS_USB} = 0\text{ V}$ Temperature range for the programming/erasure operation: $T_a = -40$ to $+85^\circ\text{C}$

Item	Symbol	FCLK = 1 MHz			FCLK = 8 MHz			Unit	
		Min.	Typ.	Max.	Min.	Typ.	Max.		
Programming time	4-byte	t_{P4}	—	143	1330	—	96.8	932	μs
Erasure time	1-Kbyte	t_{E1K}	—	8.3	269	—	5.85	219	ms
	256-Kbyte	t_{E256K}	—	407	928	—	93	520	ms
Blank check time	4-byte	t_{BC4}	—	—	78	—	—	50	μs
	1-Kbyte	t_{BC1K}	—	—	1.61	—	—	0.369	ms
Erase operation forcible stop time		t_{SED}	—	—	33.6	—	—	25.6	μs
Start-up area switching setting time		t_{SAS}	—	13.2	549	—	7.6	445	ms
Access window time		t_{AWS}	—	13.2	549	—	7.6	445	ms
ROM mode transition wait time 1		t_{DIS}	2	—	—	2	—	—	μs
ROM mode transition wait time 2		t_{MS}	3	—	—	3	—	—	μs

Note: Does not include the time until each operation of the flash memory is started after instructions are executed by software.

Note: The lower-limit frequency of FCLK is 1 MHz during programming or erasing of the flash memory. When using FCLK at below 4 MHz, the frequency can be set to 1 MHz, 2 MHz, or 3 MHz. A non-integer frequency such as 1.5 MHz cannot be set.

Note: The frequency accuracy of FCLK should be $\pm 3.5\%$. Confirm the frequency accuracy of the clock source.

5.14 E2 DataFlash Characteristics

Table 5.63 E2 DataFlash Characteristics (1)

Item		Symbol	Min.	Typ.	Max.	Unit	Conditions
Reprogramming/erasure cycle*1		N _{DPEC}	100000	1000000	—	Times	
Data hold time	After 10000 times of N _{DPEC}	t _{DDRP}	20*2, *3	—	—	Year	T _a = +85°C
	After 100000 times of N _{DPEC}		5*2, *3	—	—	Year	
	After 1000000 times of N _{DPEC}		—	1*2, *3	—	Year	T _a = +25°C

Note 1. The reprogram/erase cycle is the number of erasing for each block. When the reprogram/erase cycle is n times (n = 100000), erasing can be performed n times for each block. For instance, when 1-byte programming is performed 1000 times for different addresses in 1-Kbyte block and then the entire block is erased, the reprogram/erase cycle is counted as one. However, programming the same address for several times as one erasing is not enabled (overwriting is prohibited).

Note 2. Characteristic when using the flash memory programmer and the self-programming library provided from Renesas Electronics.

Note 3. These results are obtained from reliability testing.

**Table 5.64 E2 DataFlash Characteristics (2)
: high-speed operating mode**

Conditions: 2.7 V ≤ VCC ≤ 3.6 V, 2.7 V ≤ AVCC0 ≤ 3.6 V, VSS = AVSS0 = VSS_USB = 0 V

Temperature range for the programming/erasure operation: T_a = -40 to +105°C

Item		Symbol	FCLK = 1 MHz			FCLK = 32 MHz			Unit
			Min.	Typ.	Max.	Min.	Typ.	Max.	
Programming time	1-byte	t _{DP1}	—	86	761	—	40.5	374	μs
Erasure time	1-Kbyte	t _{DE1K}	—	17.4	456	—	6.15	228	ms
	8-Kbyte	t _{DE8K}	—	60.4	499	—	9.3	231	ms
Blank check time	1-byte	t _{DBC1}	—	—	48	—	—	15.9	μs
	1-Kbyte	t _{DBC1K}	—	—	1.58	—	—	0.127	ms
Erase operation forcible stop time		t _{DSED}	—	—	21.5	—	—	12.8	μs
DataFlash STOP recovery time		t _{DSTOP}	5	—	—	5	—	—	μs

Note: Does not include the time until each operation of the flash memory is started after instructions are executed by software.

Note: The lower-limit frequency of FCLK is 1 MHz during programming or erasing of the flash memory. When using FCLK at below 4 MHz, the frequency can be set to 1 MHz, 2 MHz, or 3 MHz. A non-integer frequency such as 1.5 MHz cannot be set.

Note: The frequency accuracy of FCLK should be ±3.5%. Confirm the frequency accuracy of the clock source.

**Table 5.65 E2 DataFlash Characteristics (3)
: middle-speed operating mode**

Conditions: 1.8 V ≤ VCC ≤ 3.6 V, 1.8 V ≤ AVCC0 ≤ 3.6 V, VSS = AVSS0 = VSS_USB = 0 V

Temperature range for the programming/erasure operation: T_a = -40 to +85°C

Item		Symbol	FCLK = 1 MHz			FCLK = 8 MHz			Unit
			Min.	Typ.	Max.	Min.	Typ.	Max.	
Programming time	1-byte	t _{DP1}	—	126	1160	—	85.4	818	μs
Erasure time	1-Kbyte	t _{DE1K}	—	17.5	457	—	7.76	259	ms
	8-Kbyte	t _{DE8K}	—	60.5	500	—	16.7	267.6	ms
Blank check time	1-byte	t _{DBC1}	—	—	78	—	—	50	μs
	1-Kbyte	t _{DBC1K}	—	—	1.61	—	—	0.369	ms
Erase operation forcible stop time		t _{DSED}	—	—	33.5	—	—	25.5	μs
DataFlash STOP recovery time		t _{DSTOP}	720	—	—	720	—	—	ns

Note: Does not include the time until each operation of the flash memory is started after instructions are executed by software.

Note: The lower-limit frequency of FCLK is 1 MHz during programming or erasing of the flash memory. When using FCLK at below 4 MHz, the frequency can be set to 1 MHz, 2 MHz, or 3 MHz. A non-integer frequency such as 1.5 MHz cannot be set.

Note: The frequency accuracy of FCLK should be ±3.5%. Confirm the frequency accuracy of the clock source.

5.15 Usage Notes

5.15.1 Connecting VCL Capacitor and Bypass Capacitors

This MCU integrates an internal voltage-down circuit, which is used for lowering the power supply voltage in the internal MCU to adjust automatically to the optimum level. A 4.7- μ F capacitor needs to be connected between this internal voltage-down power supply (VCL pin) and VSS pin. Figure 5.67 to Figure 5.68 shows how to connect external capacitors. Place an external capacitor close to the pins. Do not apply the power supply voltage to the VCL pin. Insert a multilayer ceramic capacitor as a bypass capacitor between each pair of the power supply pins. Implement a bypass capacitor to the MCU power supply pins as close as possible. Use a recommended value of 0.1 μ F as the capacitance of the capacitors. For the capacitors related to crystal oscillation, see section 9, Clock Generation Circuit in the User's Manual: Hardware. For the capacitors related to analog modules, also see section 36, 12-Bit A/D Converter (S12ADb) in the User's Manual: Hardware.

For notes on designing the printed circuit board, see the descriptions of the application note "Hardware Design Guide" (R01AN1411EJ). The latest version can be downloaded from Renesas Electronics Website.

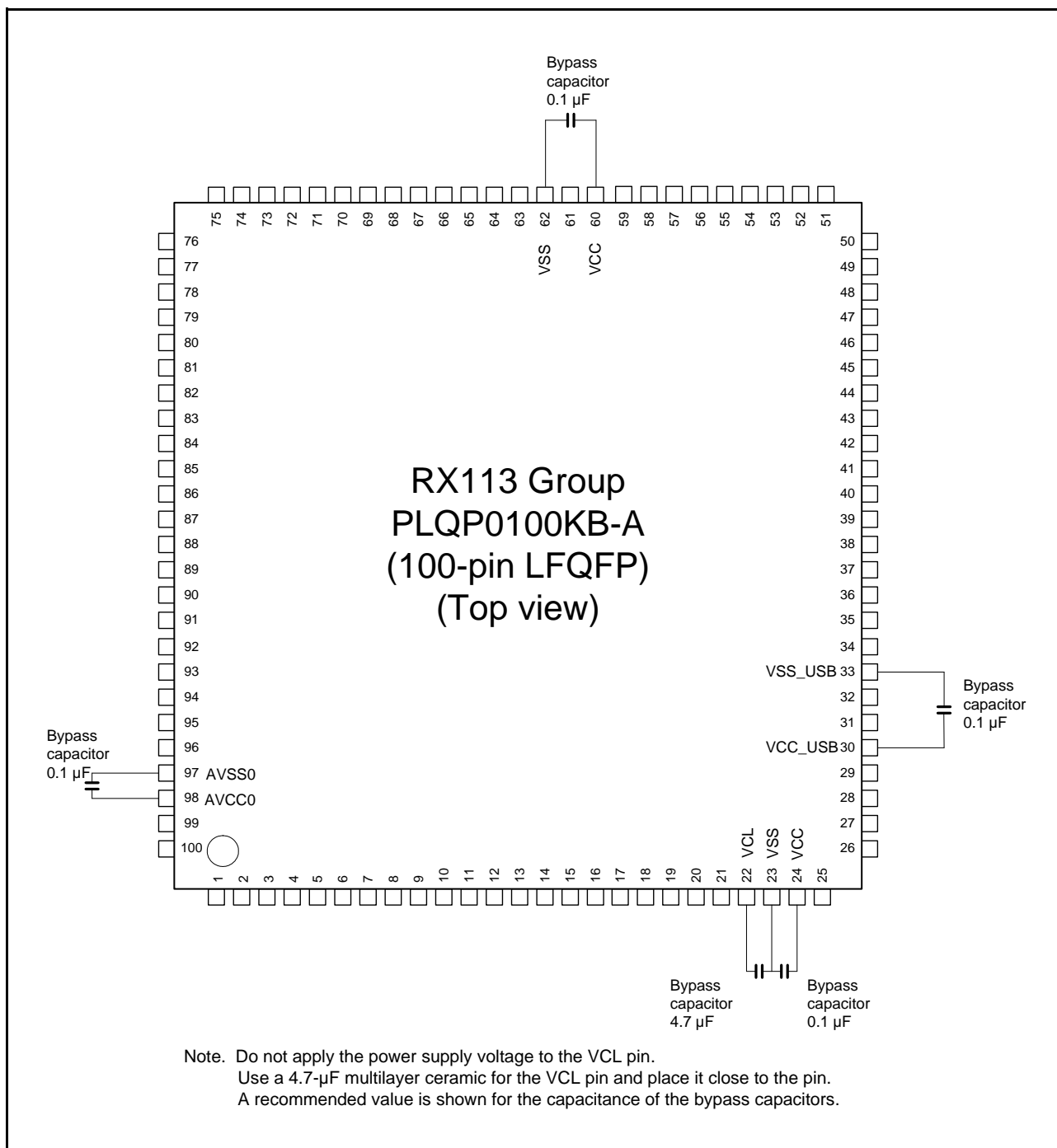


Figure 5.67 Connecting Capacitors (100-pin LQFP)

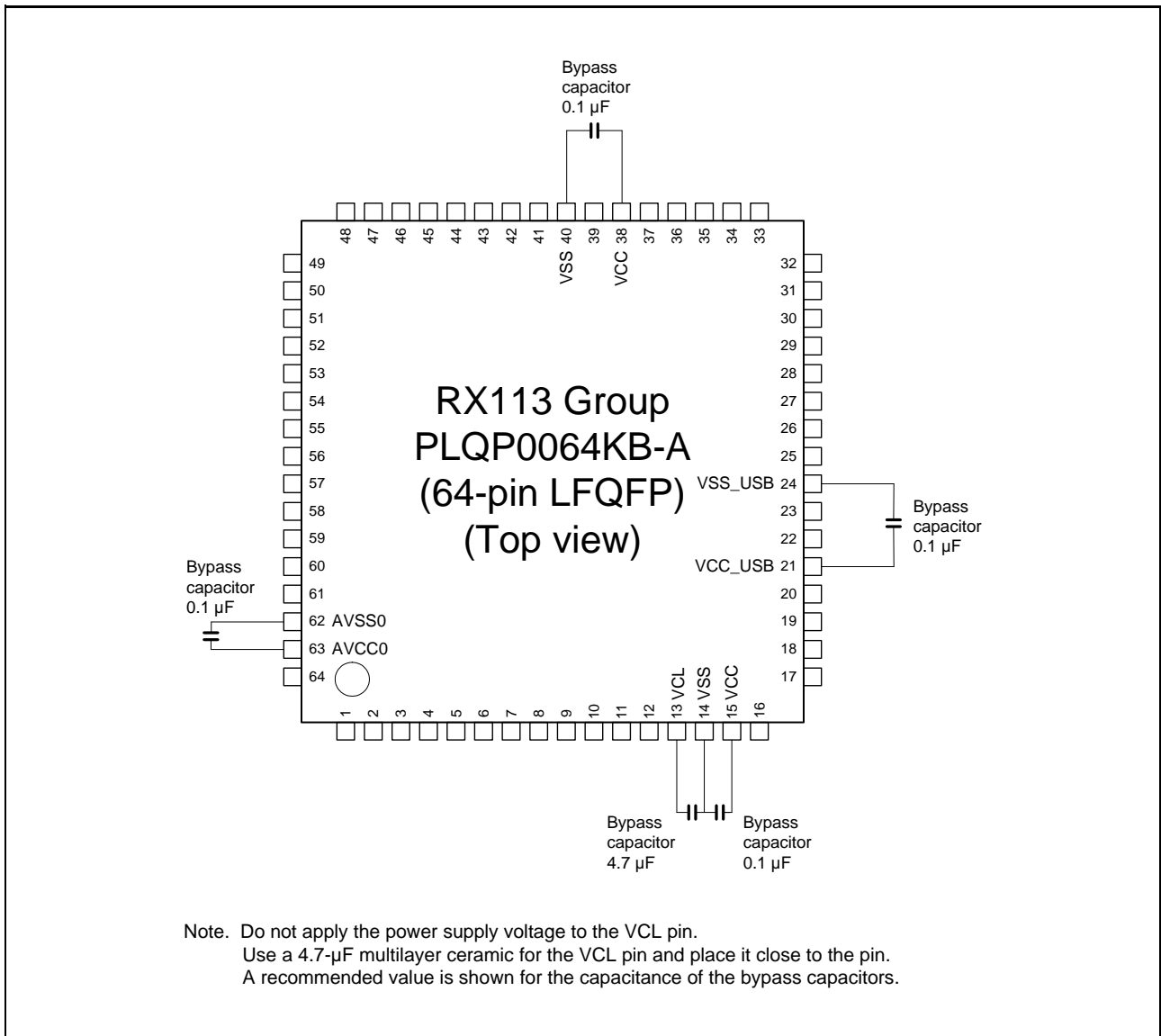


Figure 5.68 Connecting Capacitors (64 Pins)

Appendix 1. Package Dimensions

Information on the latest version of the package dimensions or mountings has been displayed in “Packages” on Renesas Electronics Corporation website.

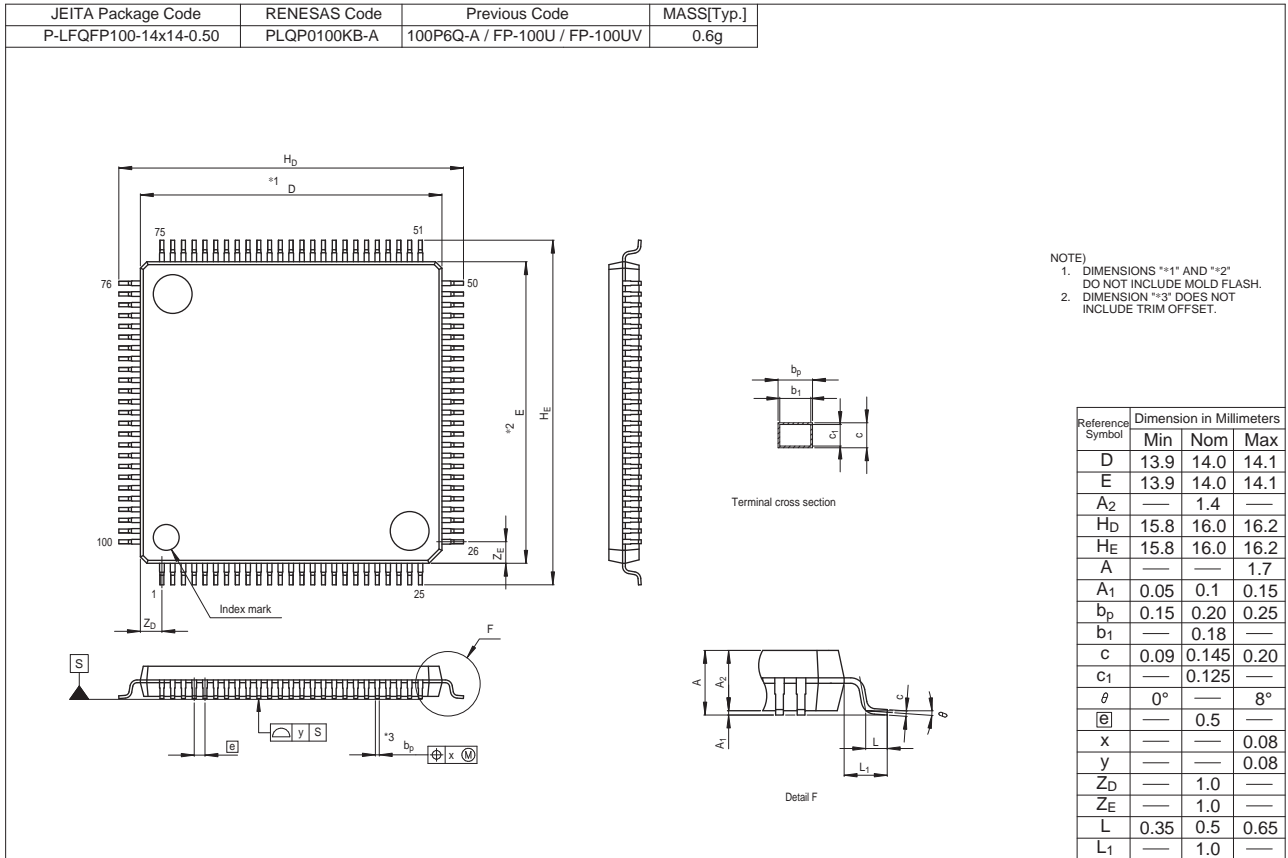


Figure A 100-Pin LFQFP (PLQP0100KB-A)

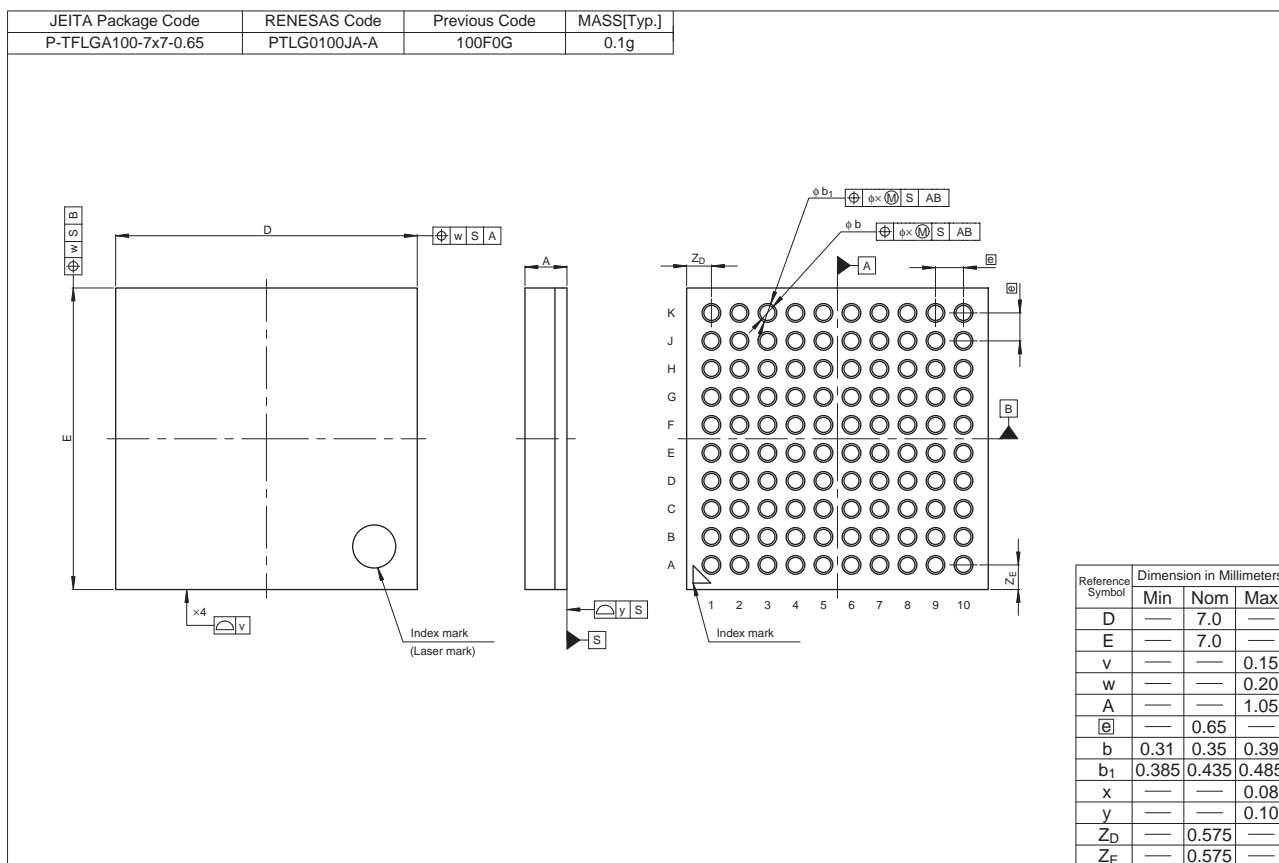


Figure B 100-Pin TFLGA (PTLG0100JA-A)

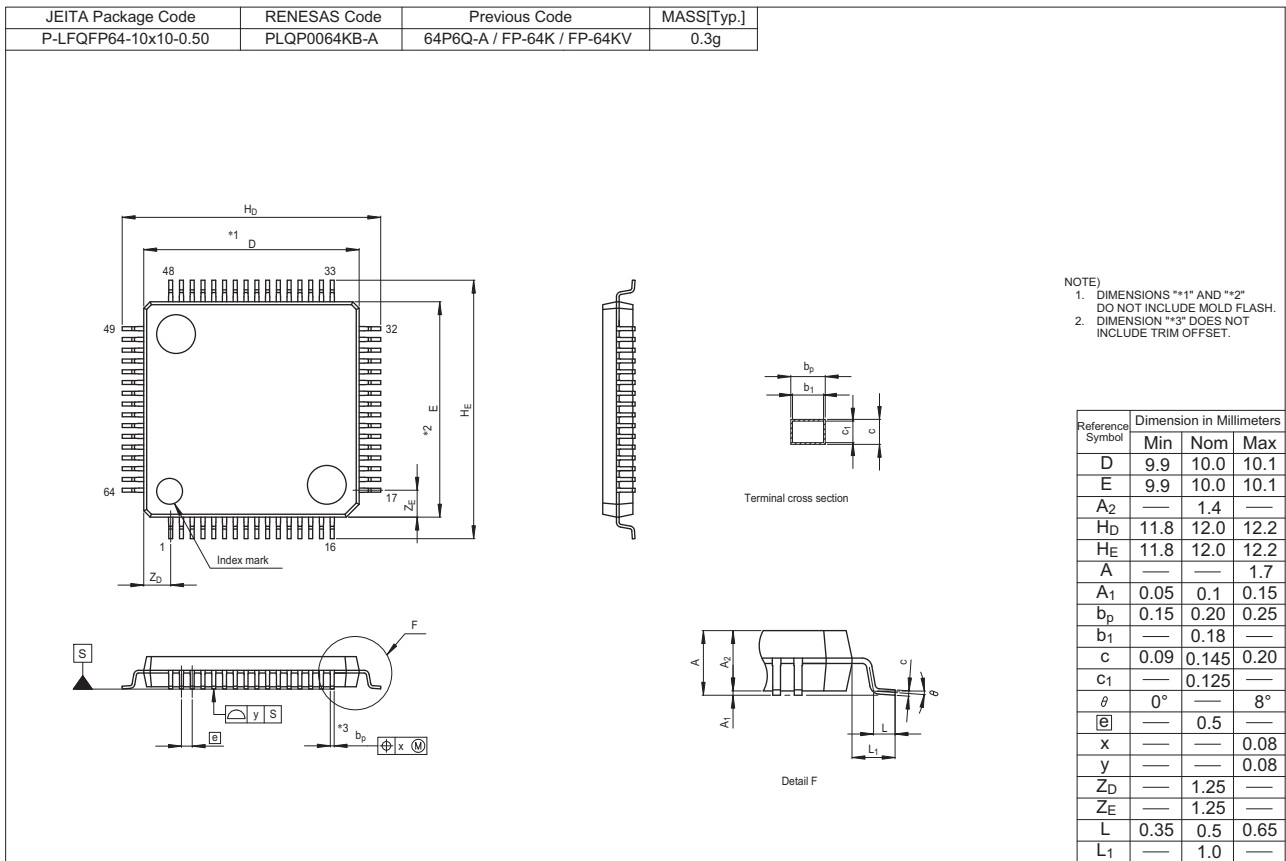


Figure C 64-Pin LFQFP (PLQP0064KB-A)

REVISION HISTORY	RX113 Group Datasheet
------------------	-----------------------

Classifications

- Items with Technical Update document number: Changes according to the corresponding issued Technical Update
- Items without Technical Update document number: Minor changes that do not require Technical Update to be issued

Rev.	Date	Description		Classification
		Page	Summary	
1.02	Dec 01, 2014	—	First edition, issued	
1.10	Mar 31, 2016	1. Overview		
		16 to 23	Table 1.5 to 1.7 Note 2 regarding I/O power source is AVCC0 for the ports (P4, P9, PJ6, and P7), added	
		5. Electrical Characteristics		
		53	Table 5.1 Absolute Maximum Ratings, Analog power supply voltage added	TN-RX*-A149A/E
		54	Table 5.2 Recommended Operating Conditions, VREFH0 / VREFH / AVCC0 / VREFL added	TN-RX*-A149A/E
		60	Table 5.8 DC Characteristics (6), Increment for LPT operation and Increment for IWDT operation added	TN-RX*-A149A/E
		62	Table 5.9 DC Characteristics (7) added	TN-RX*-A136A/E
		62, 63	Table 5.10 DC Characteristics (8), LDV1,2 and CTSU operating current added	TN-RX*-A149A/E
		65, 66	Table 5.15 Permissible Output Currents is divided into D version and G version	TN-RX*-A136A/E
		105	Table 5.43 D/A Conversion Characteristics (1), Output voltage range added	
		119	Table 5.61 ROM (Flash Memory for Code Storage) Characteristics (2), Erasure time - 256-Kbyte added	TN-RX*-A132A/E
		120	Table 5.62 ROM (Flash Memory for Code Storage) Characteristics (3), Temperature range for the programming/erasure operation changed and Erasure time - 256-Kbyte added	TN-RX*-A132A/E
		121	Table 5.64 E2 DataFlash Characteristics (2), Low speed FCLK changed and Erasure time - 8-Kbyte added	TN-RX*-A132A/E
		121	Table 5.65 E2 DataFlash Characteristics (3), Temperature range for the programming/erasure operation changed, Low speed FCLK changed and Erasure time - 8-Kbyte added	TN-RX*-A132A/E
		122 to 124	5.15 Usage Notes added	
1.20	Sep 07, 2020	—	PH7, deleted Changed description due to deletion of PH7	TN-RX*-A180A/E TN-RX*-A0234A/E
		1. Overview		
		17	Table 1.5 List of Pins and Pin Functions (100-Pin LFQFP) (2/3), changed	TN-RX*-A0234A/E
		21	Table 1.6 List of Pins and Pin Functions (100-Pin TFLGA) (3/3), changed	TN-RX*-A0234A/E
		23	Table 1.7 List of Pins and Pin Functions (64-Pin LFQFP) (2/2), changed	TN-RX*-A0234A/E
		5. Electrical Characteristics		
		66	Table 5.14 DC Characteristics (12), changed	TN-RX*-A0234A/E
		86	Table 5.31 Timing of On-Chip Peripheral Modules (2), changed	TN-RX*-A0234A/E
		87	Table 5.32 Timing of On-Chip Peripheral Modules (3), changed	TN-RX*-A0234A/E
		112	Table 5.51 Internal Voltage Boosting Method, changed	TN-RX*-A0234A/E
		112	Table 5.52 Internal Voltage Boosting Method LCD Characteristics, changed	TN-RX*-A0234A/E
		113	Table 5.53 Internal Voltage Boosting Method LCD Characteristics, changed	TN-RX*-A0234A/E
		114	Table 5.54 Capacitor Split Method, changed	TN-RX*-A0234A/E
		114	Table 5.55 Capacitor Split Method LCD Characteristics, changed	TN-RX*-A0234A/E

General Precautions in the Handling of Microprocessing Unit and Microcontroller Unit Products

The following usage notes are applicable to all Microprocessing unit and Microcontroller unit products from Renesas. For detailed usage notes on the products covered by this document, refer to the relevant sections of the document as well as any technical updates that have been issued for the products.

1. Precaution against Electrostatic Discharge (ESD)

A strong electrical field, when exposed to a CMOS device, can cause destruction of the gate oxide and ultimately degrade the device operation. Steps must be taken to stop the generation of static electricity as much as possible, and quickly dissipate it when it occurs. Environmental control must be adequate. When it is dry, a humidifier should be used. This is recommended to avoid using insulators that can easily build up static electricity.

Semiconductor devices must be stored and transported in an anti-static container, static shielding bag or conductive material. All test and measurement tools including work benches and floors must be grounded. The operator must also be grounded using a wrist strap. Semiconductor devices must not be touched with bare hands. Similar precautions must be taken for printed circuit boards with mounted semiconductor devices.

2. Processing at power-on

The state of the product is undefined at the time when power is supplied. The states of internal circuits in the LSI are indeterminate and the states of register settings and pins are undefined at the time when power is supplied. In a finished product where the reset signal is applied to the external reset pin, the states of pins are not guaranteed from the time when power is supplied until the reset process is completed. In a similar way, the states of pins in a product that is reset by an on-chip power-on reset function are not guaranteed from the time when power is supplied until the power reaches the level at which resetting is specified.

3. Input of signal during power-off state

Do not input signals or an I/O pull-up power supply while the device is powered off. The current injection that results from input of such a signal or I/O pull-up power supply may cause malfunction and the abnormal current that passes in the device at this time may cause degradation of internal elements. Follow the guideline for input signal during power-off state as described in your product documentation.

4. Handling of unused pins

Handle unused pins in accordance with the directions given under handling of unused pins in the manual. The input pins of CMOS products are generally in the high-impedance state. In operation with an unused pin in the open-circuit state, extra electromagnetic noise is induced in the vicinity of the LSI, an associated shoot-through current flows internally, and malfunctions occur due to the false recognition of the pin state as an input signal become possible.

5. Clock signals

After applying a reset, only release the reset line after the operating clock signal becomes stable. When switching the clock signal during program execution, wait until the target clock signal is stabilized. When the clock signal is generated with an external resonator or from an external oscillator during a reset, ensure that the reset line is only released after full stabilization of the clock signal. Additionally, when switching to a clock signal produced with an external resonator or by an external oscillator while program execution is in progress, wait until the target clock signal is stable.

6. Voltage application waveform at input pin

Waveform distortion due to input noise or a reflected wave may cause malfunction. If the input of the CMOS device stays in the area between V_{IL} (Max.) and V_{IH} (Min.) due to noise, for example, the device may malfunction. Take care to prevent chattering noise from entering the device when the input level is fixed, and also in the transition period when the input level passes through the area between V_{IL} (Max.) and V_{IH} (Min.).

7. Prohibition of access to reserved addresses

Access to reserved addresses is prohibited. The reserved addresses are provided for possible future expansion of functions. Do not access these addresses as the correct operation of the LSI is not guaranteed.

8. Differences between products

Before changing from one product to another, for example to a product with a different part number, confirm that the change will not lead to problems. The characteristics of a microprocessing unit or microcontroller unit products in the same group but having a different part number might differ in terms of internal memory capacity, layout pattern, and other factors, which can affect the ranges of electrical characteristics, such as characteristic values, operating margins, immunity to noise, and amount of radiated noise. When changing to a product with a different part number, implement a system-evaluation test for the given product.

Notice

1. Descriptions of circuits, software and other related information in this document are provided only to illustrate the operation of semiconductor products and application examples. You are fully responsible for the incorporation or any other use of the circuits, software, and information in the design of your product or system. Renesas Electronics disclaims any and all liability for any losses and damages incurred by you or third parties arising from the use of these circuits, software, or information.
2. Renesas Electronics hereby expressly disclaims any warranties against and liability for infringement or any other claims involving patents, copyrights, or other intellectual property rights of third parties, by or arising from the use of Renesas Electronics products or technical information described in this document, including but not limited to, the product data, drawings, charts, programs, algorithms, and application examples.
3. No license, express, implied or otherwise, is granted hereby under any patents, copyrights or other intellectual property rights of Renesas Electronics or others.
4. You shall not alter, modify, copy, or reverse engineer any Renesas Electronics product, whether in whole or in part. Renesas Electronics disclaims any and all liability for any losses or damages incurred by you or third parties arising from such alteration, modification, copying or reverse engineering.
5. Renesas Electronics products are classified according to the following two quality grades: "Standard" and "High Quality". The intended applications for each Renesas Electronics product depends on the product's quality grade, as indicated below.

"Standard": Computers; office equipment; communications equipment; test and measurement equipment; audio and visual equipment; home electronic appliances; machine tools; personal electronic equipment; industrial robots; etc.

"High Quality": Transportation equipment (automobiles, trains, ships, etc.); traffic control (traffic lights); large-scale communication equipment; key financial terminal systems; safety control equipment; etc.

Unless expressly designated as a high reliability product or a product for harsh environments in a Renesas Electronics data sheet or other Renesas Electronics document, Renesas Electronics products are not intended or authorized for use in products or systems that may pose a direct threat to human life or bodily injury (artificial life support devices or systems; surgical implantations; etc.), or may cause serious property damage (space system; undersea repeaters; nuclear power control systems; aircraft control systems; key plant systems; military equipment; etc.). Renesas Electronics disclaims any and all liability for any damages or losses incurred by you or any third parties arising from the use of any Renesas Electronics product that is inconsistent with any Renesas Electronics data sheet, user's manual or other Renesas Electronics document.

6. When using Renesas Electronics products, refer to the latest product information (data sheets, user's manuals, application notes, "General Notes for Handling and Using Semiconductor Devices" in the reliability handbook, etc.), and ensure that usage conditions are within the ranges specified by Renesas Electronics with respect to maximum ratings, operating power supply voltage range, heat dissipation characteristics, installation, etc. Renesas Electronics disclaims any and all liability for any malfunctions, failure or accident arising out of the use of Renesas Electronics products outside of such specified ranges.
7. Although Renesas Electronics endeavors to improve the quality and reliability of Renesas Electronics products, semiconductor products have specific characteristics, such as the occurrence of failure at a certain rate and malfunctions under certain use conditions. Unless designated as a high reliability product or a product for harsh environments in a Renesas Electronics data sheet or other Renesas Electronics document, Renesas Electronics products are not subject to radiation resistance design. You are responsible for implementing safety measures to guard against the possibility of bodily injury, injury or damage caused by fire, and/or danger to the public in the event of a failure or malfunction of Renesas Electronics products, such as safety design for hardware and software, including but not limited to redundancy, fire control and malfunction prevention, appropriate treatment for aging degradation or any other appropriate measures. Because the evaluation of microcomputer software alone is very difficult and impractical, you are responsible for evaluating the safety of the final products or systems manufactured by you.
8. Please contact a Renesas Electronics sales office for details as to environmental matters such as the environmental compatibility of each Renesas Electronics product. You are responsible for carefully and sufficiently investigating applicable laws and regulations that regulate the inclusion or use of controlled substances, including without limitation, the EU RoHS Directive, and using Renesas Electronics products in compliance with all these applicable laws and regulations. Renesas Electronics disclaims any and all liability for damages or losses occurring as a result of your noncompliance with applicable laws and regulations.
9. Renesas Electronics products and technologies shall not be used for or incorporated into any products or systems whose manufacture, use, or sale is prohibited under any applicable domestic or foreign laws or regulations. You shall comply with any applicable export control laws and regulations promulgated and administered by the governments of any countries asserting jurisdiction over the parties or transactions.
10. It is the responsibility of the buyer or distributor of Renesas Electronics products, or any other party who distributes, disposes of, or otherwise sells or transfers the product to a third party, to notify such third party in advance of the contents and conditions set forth in this document.
11. This document shall not be reprinted, reproduced or duplicated in any form, in whole or in part, without prior written consent of Renesas Electronics.
12. Please contact a Renesas Electronics sales office if you have any questions regarding the information contained in this document or Renesas Electronics products.

(Note1) "Renesas Electronics" as used in this document means Renesas Electronics Corporation and also includes its directly or indirectly controlled subsidiaries.

(Note2) "Renesas Electronics product(s)" means any product developed or manufactured by or for Renesas Electronics.

(Rev.4.0-1 November 2017)

Corporate Headquarters

TOYOSU FORESIA, 3-2-24 Toyosu,
Koto-ku, Tokyo 135-0061, Japan
www.renesas.com

Trademarks

Renesas and the Renesas logo are trademarks of Renesas Electronics Corporation. All trademarks and registered trademarks are the property of their respective owners.

Contact Information

For further information on a product, technology, the most up-to-date version of a document, or your nearest sales office, please visit:
www.renesas.com/contact/

X-ON Electronics

Largest Supplier of Electrical and Electronic Components

Click to view similar products for [32-bit Microcontrollers - MCU category](#):

Click to view products by [Renesas manufacturer](#):

Other Similar products are found below :

[MCF51AC256AVFUE](#) [MCF51AC256BCFUE](#) [MCF51AC256BVFUE](#) [MB91F464AAPMC-GSE2](#) [R5S726B0D216FP#V0](#) [MB91F248PFV-GE1](#) [MB91243PFV-GS-136E1](#) [SAK-TC1782F-320F180HR BA](#) [TC364DP64F300WAAKXUMA1](#) [R5F566NNDDFP#30](#)
[R5F566NNDDFC#30](#) [R5F566NNDDBD#20](#) [MC96F8216ADBN](#) [A96G181HDN](#) [A96G140KNN](#) [A96G174FDN](#) [A31G213CL2N](#)
[A96G148KNN](#) [A96G174AEN](#) [AC33M3064TLBN-01](#) [V3s](#) [T3](#) [A40i-H](#) [V526](#) [A83T](#) [R11](#) [V851s](#) [A133](#) [V833](#) [F1C100S](#) [T3L](#) [T507](#) [A33](#)
[A63](#) [T113-i](#) [H616](#) [V853](#) [V533](#) [V536-H](#) [A64-H](#) [V831](#) [V3LP](#) [T113-S3](#) [F1C200S](#) [F133-A](#) [R128-S2](#) [ADUCM360BCPZ128-TR](#)
[APT32S003F8PT](#) [AT32F435VMT7](#) [AT32F435CGT7](#)