

200/400/800 MHz, Dual/Single Arm[®] Cortex[®]-R52 on-chip FPU and NEON[™], 2.0 MB of on-chip SRAM, Ethernet MAC, EtherCAT, USB 2.0 high-speed, CAN/CANFD, various communications interfaces such as an xSPI and $\Delta\Sigma$ interface, encoder interfaces, and security functions

Features

- On-chip 32-bit Arm Cortex-R52 processor
 - High-speed realtime control with operating frequency of 200/400/800 MHz
 - On-chip Dual/Single 32-bit Arm Cortex-R52 (revision r1p2)
 - Tightly coupled memory (TCM) with ECC
 - CPU0: 512 KB/64 KB
 - CPU1: No support
 - Instruction cache/data cache with ECC
 - CPU0: 16 KB per cache
 - CPU1: 32 KB per cache
 - High-speed interrupt
 - The FPU supports addition, subtraction, multiplication, division, multiply-and-accumulate, and square-root operations at single-precision and double-precision.
 - The NEON, Advanced SIMD, supports integer or single precision results.
 - Harvard architecture with 8-stage pipeline
 - Supports the memory protection unit (MPU)
 - Arm CoreSight architecture, includes support for debugging through JTAG and SWD interfaces.
 - No DCLS (Dual Core Lock Step) support
- Low power consumption
 - Standby mode and module stop function
- On-chip SRAM
 - 2.0 MB/1.5 MB of the on-chip SRAM with ECC
 - 150/200 MHz
- Data transfer
 - DMAC: 16 channels × 2 units
- Event link controller
 - Module operations can be started by event signals rather than by interrupt handlers.
 - Linked operation of modules is available even while the CPU is in the standby state.
- Reset and power supply voltage control
 - Five reset sources including a pin reset
- Clock functions
 - External clock/oscillator input frequency: 25 MHz
 - CPU clock frequency: 200/400/800 MHz or 150/300/600 MHz
 - System clock frequency: 200 MHz or 150 MHz
 - Low-speed on-chip oscillator (LOCO): 240 kHz
- Safety functions
 - Register write protection, input clock oscillation stop detection and CRC
 - Master Memory Protection Unit (MPU)
- Security functions (optional)
 - Boot mode with security through encryption
 - JTAG authentication
 - Cryptologic accelerator
 - TRNG
- Encoder interfaces (optional)
 - 2 channels
 - EnDat 2.2, BiSS-C, FA-CODER, A-format, and HIPERFACE DSL-compliant interfaces
 - Frequency-divided output from an encoder
- Various communications interfaces
 - Ethernet
 - EtherCAT slave Controller: 3 ports
 - Ethernet switch: 3 ports
 - Ethernet MAC: 1 port
 - USB 2.0 high-speed host/functions: 1 channel
 - CAN/CANFD (compliant with ISO11898-1): 2 channels
 - SCI with 16-byte transmission and reception FIFOs: 6 channels
 - I2C bus interface: 3 channel for transfer at up to 400 kbps
 - SPI: 4 channels
 - xSPI: 2 channels
- External address space
 - Buses for high-speed data transfer at up to 100 MHz
 - Support for up to 4 CS areas
 - 8-, 16- or 32-bit bus space is selectable per area
- Up to 35 extended-function timers
 - 16-bit × 8 + 32-bit MTU3 (9 channels), 32-bit GPT (18 channels): Input capture, output compare, PWM waveform output
 - 16-bit CMT (6 channels), 32-bit CMTW (2 channels)
- $\Delta\Sigma$ interface
 - Up to 6 $\Delta\Sigma$ modulators are connectable externally.
- Trigonometric function unit
 - Simultaneous calculation of sine and cosine
 - Simultaneous calculation of arctangent and hypot_k
- 12-bit A/D converter
 - 12 bits × 2 unit (8 channels for unit 0, 16 channels for unit 1)
- Temperature sensor for measuring temperature within the chip
- General-purpose I/O ports
 - Input pull-up/pull-down
 - The locations of input/output functions for peripheral modules are selectable from among multiple pins.
- Operating temperature range
 - T_j = -40 to +125°C

1. Overview

1.1 Outline of Specifications

The MPU is a high-performance ASSP that has dual Arm Cortex[®]-R52 processor with Floating-Point Unit (FPU) and NEON[™]. It incorporates integrated peripheral functions necessary for system configuration.

Table 1.1 CPU

Feature	Functional description
Arm [®] Cortex [®] -R52	<ul style="list-style-type: none"> • Two processors*1 consist of single core • Operating frequency <ul style="list-style-type: none"> – 200 MHz/400 MHz/800 MHz (in case of 200 MHz system clock) – 150 MHz/300 MHz/600 MHz (in case of 150 MHz system clock) • 32-bit CPU Cortex-R52 designed by Arm (core revision r1p2) • Address space: 4 GB • Instruction cache <ul style="list-style-type: none"> – CPU0: 16 KB (with ECC) – CPU1: 32 KB (with ECC) • Data cache <ul style="list-style-type: none"> – CPU0: 16 KB (with ECC) – CPU1: 32 KB (with ECC) • Tightly coupled memory (TCM) <ul style="list-style-type: none"> – CPU0 <ul style="list-style-type: none"> ATCM: 512 KB (with ECC) 1 wait (0 wait selectable if less than 400 MHz) BTCM: 64 KB (with ECC) 0 wait CTCM: 0 KB (with ECC) – CPU1 <ul style="list-style-type: none"> ATCM: 0 KB BTCM: 0 KB CTCM: 0 KB • Instruction set: Arm v8-R architecture, so support includes Thumb[®] and Thumb-2 • Data arrangement <ul style="list-style-type: none"> – Instructions: Little endian – Data: Little endian • 2-stage memory protection unit (MPU) • No DCLS (Dual Core Lock Step) support
FPU	<ul style="list-style-type: none"> • Supports addition, subtraction, multiplication, division, multiply-and-accumulate, and square-root operations at single- and double-precision. • Registers <ul style="list-style-type: none"> 64-bit single-word registers: 64 bits × 32 (can be used as 16 double-word registers: 128 bits × 16)
NEON	The Advanced SIMD supporting integer or single precision results

Note 1. One CPU for 176-pin and 128-pin devices (only CPU0 is provided)

Table 1.2 Memory

Feature	Functional description
On-chip system SRAM with ECC	<ul style="list-style-type: none"> • Capacity: <ul style="list-style-type: none"> – Dual CPU: Up to 2.0 MB (512 KB × 4 units) (with ECC) – Single CPU: Up to 1.5 MB (512 KB × 3 units) (with ECC) • Operating frequency: 150 MHz/200 MHz • SEC-DED (single error correction/double error detection) Error injection supported
One-time programmable memory	<ul style="list-style-type: none"> • Overwrite protection • Redundancy support • ECC support • Available information <ul style="list-style-type: none"> – Unique ID – Authentication settings – Trimming data – Boot mode setting – User area

Table 1.3 System

Feature	Functional description
Operating modes	<p>The operating mode can be selected from the following seven boot modes:</p> <ul style="list-style-type: none"> • xSPI0 boot mode (CS0 × 1 boot Serial Flash) • xSPI0 boot mode (CS0 × 8 boot Serial Flash) • 16-bit bus boot mode (CS0 NOR Flash) • 32-bit bus boot mode (CS0 NOR Flash) • xSPI1 boot mode (CS0 × 1 boot Serial Flash) • SCI boot mode • USB boot mode
Clock generation circuit	<ul style="list-style-type: none"> • The input clock can be selected from an external clock or external resonator. • Detection of input clock oscillation stopping • The following clocks are generated: <ul style="list-style-type: none"> – CPU0 clock: System clock x1, x2 or x4 – CPU1 clock: System clock x1, x2 or x4 – System clock: 150 or 200 MHz – High-speed peripheral module clock: 150 or 200 MHz – Middle-speed peripheral module clock: 75 or 100 MHz – Low-speed peripheral module clock: 37.5 or 50 MHz – ADC clock in the 12-bit A/D converter: 18.75 or 25 MHz – External bus clock: 100 MHz (max.) – Low-speed on-chip oscillator: 240 kHz (fixed)
Reset	RES# pin reset, software reset, error reset, CPU0 software reset, CPU1 software reset
Low-power consumption function	<ul style="list-style-type: none"> • Standby mode (Cortex-R52) • Module stop function
Interrupt controller (ICU)	<ul style="list-style-type: none"> • Connect an interrupt to the GIC (Generic Interrupt Controller) for Cortex-R52 CPU0 and CPU1 • Connect an activating trigger to the DMAC and ELC • Peripheral function interrupts: 394 sources • External interrupts: 16 sources (IRQ0 to IRQ15 pins) • Software interrupts: 8 sources • Non-maskable interrupts: 1 sources • 32 levels specifiable for the order of priority in the GIC
Bus state controller (BSC)	<ul style="list-style-type: none"> • The external address space is divided into four areas (CS0, CS2, CS3, and CS5) for management. • The following features are configurable for each area independently: Bus size (8, 16, or 32 bits): Available sizes depend on the area. Number of access wait cycles (different wait cycles can be specified for read and write access cycles in some areas). Idle wait cycle insertion (between same area access cycles or different area access cycles). Specifying the memory to be connected to each area enables direct connection to SRAM, SRAM with byte selection, SDRAM, and burst ROM (clocked synchronous or asynchronous). The address/data multiplexed I/O (MPX) interface is also available. • Outputs a chip select signal (CS0# to CS5#) according to the target area (CS assert or negate timing can be selected by software). • Connectable memory type for each area CS0: SRAM, burst ROM CS2: SRAM CS2 + CS3: SRAM, SDRAM (CS2 only for SDRAM is not supported) CS3: SRAM, SDRAM CS5: SRAM, MPX-IO • SDRAM refresh Auto refresh or self-refresh mode selectable • SDRAM burst access

Table 1.4 Direct memory access

Feature	Functional description
Direct memory access controller (DMAC)	<ul style="list-style-type: none"> • 2 unit (16 channels each unit) • Transfer modes: Single transfer mode and block transfer mode • Transfer size <ul style="list-style-type: none"> - Unit 0: 1/2/4/8/16/32/64 bytes - Unit 1: 1/2/4/8/16/32 bytes • Activation sources: Software trigger, external DMA requests (DREQ), external interrupts, and interrupt requests from peripheral functions

Table 1.5 I/O Ports

Feature	Functional description
General-purpose I/O ports	<ul style="list-style-type: none"> ● 320-pin FBGA <ul style="list-style-type: none"> – I/O pins: 193 – Input pins: 1 – Pull-up/pull-down resistors: 194 ● 225-pin FBGA <ul style="list-style-type: none"> – I/O pins: 134 – Input pins: 1 – Pull-up/pull-down resistors: 135 ● 176-pin LQFP <ul style="list-style-type: none"> – I/O pins: 118 – Input pins: 1 – Pull-up/pull-down resistors: 119 ● 128-pin LQFP <ul style="list-style-type: none"> – I/O pins: 70 – Input pins: 1 – Pull-up/pull-down resistors: 71 ● The locations of input/output functions are selectable from among multiple pins.

Table 1.6 Event link

Feature	Functional description
Event link controller (ELC)	<ul style="list-style-type: none"> ● Up to 213 event signals can be interlinked with the operation of modules. ● In particular, the operation of timer modules can be started by input event signals. ● Event-linked operation of signals of ports 16 and port 18 is to be possible.

Table 1.7 Timers (1 of 2)

Feature	Functional description
Multi-function timer pulse unit 3 (MTU3)	<ul style="list-style-type: none"> ● 9 channels (16 bits × 8 channels, 32 bits × 1 channel) ● Maximum of 28 pulse-input/output and 3 pulse-input possible ● Select from among 10, 11, 12, or 14 counter-input clock signals for each channel (with maximum operating frequency of 200 MHz) ● Input capture function ● 39 output compare/input capture registers ● Counter clear operation (synchronous clearing by compare match/input capture) ● Simultaneous writing to multiple timer counters (TCNT) ● Simultaneous register input/output by synchronous counter operation ● Buffered operation ● Support for cascade-connected operation ● Automatic transfer of register data ● Pulse output mode ● Toggle/PWM/complementary PWM/reset-synchronized PWM ● Complementary PWM output mode <ul style="list-style-type: none"> - Outputs non-overlapping waveforms for controlling 3-phase inverters - Automatic specification of dead times - PWM duty cycle: Selectable as any value from 0% to 100% - Delay can be applied to requests for A/D conversion. - Non-generation of interrupt requests at peak or trough values of counters can be selected. - Double buffer configuration ● Reset synchronous PWM mode <ul style="list-style-type: none"> Three phases of positive and negative PWM waveforms can be output with desired duty cycles. ● Phase-counting mode: 16-bit mode (channels 1 and 2), 32-bit mode (channels 1 and 2 in cascade connection) ● Counter functionality for dead-time compensation ● Generation of triggers for A/D converter conversion ● A/D converter start triggers can be skipped ● Digital noise filter function for signals on the input capture and external counter clock pins ● Event linking by the ELC

Table 1.7 Timers (2 of 2)

Feature	Functional description
General PWM timer (GPT)	<ul style="list-style-type: none"> • 32 bits × 18 channels • Counting up or down (saw-wave), counting up and down (triangle-wave) selectable for all channels • Select from among four counter-input clock signals for each channel (with maximum operating frequency of 400 MHz for LLPP) • 2 input/output pins per channel • 2 output compare/input capture registers per channel • For the 2 output compare/input capture registers of each channel, 4 registers are provided as buffer registers and are capable of operating as comparison registers when buffering is not in use. • In output compare operation, buffer switching can be at peaks or troughs, enabling the generation of laterally asymmetrically PWM waveforms. • Registers for setting up frame intervals on each channel (with capability for generating interrupts on overflow or underflow) • Synchronizable operation of the several counters • Modes of synchronized operation (synchronized, or displaced by desired times for phase shifting) • Generation of dead times in PWM operation • Through combination of 3 counters, generation of automatic 3-phase PWM waveforms incorporating dead times • Starting, clearing, stopping, switching, up/down counters, and input capture in response to external or internal triggers • Starting, clearing, stopping, switching, up/down counters, and input capture in response to input level comparison • Internal trigger sources: software and compare-match • Generation of triggers for A/D converter conversion • Digital noise filter function for signals on the input capture and external trigger pins • Event linking by the ELC
Compare match timer (CMT)	<ul style="list-style-type: none"> • (16 bits × 2 channels) × 3 units • Select from among four counter-input clock signals for each channel
Compare match timer W (CMTW)	<ul style="list-style-type: none"> • (32 bits × 1 channel) × 2 units • Compare-match, input-capture input, and output-comparison output are available. • Select from among four counter-input clock signals for each channel • Interrupt requests can be output in response to compare-match, input-capture, and output-comparison events.
Watchdog timer (WDT)	<ul style="list-style-type: none"> • 14 bits × 2 channels • Select from among six counter-input clock signals for each channel
Port output enable 3 (POE3)	<ul style="list-style-type: none"> • Control of the high-impedance state of the MTU3 waveform output pins • 5 pins for input from signal sources: POE0#, POE4#, POE8#, POE10#, POE11# • Initiation on detection of short-circuited outputs (detection of simultaneous PWM output to the active level) • Initiation by input clock oscillation-stoppage detection, PLL oscillation anomaly detection, DSMIF error detection, or software • Additional programming of output control target pins is enabled
Port output enable for GPT (POEG)	<ul style="list-style-type: none"> • Controlling the output disable for GPT waveform output • Initiation by input level detection of GTETRQ pins • Initiation by output disable request from GPT • Initiation by detection of oscillation stop, DSMIF error detection, or by software
Real time clock (RTC)	<ul style="list-style-type: none"> • A 100 year calendar from 2000 to 2099 • BCD code display • Clock source is division of main oscillator. • Automatic adjustment function for leap years

Table 1.8 Communication interfaces (1 of 2)

Feature	Functional description
Ethernet MAC (GMAC)* ²	<ul style="list-style-type: none"> • 1 port • IEEE802.3 • IEEE1588-2008 • IEEE802.3-az-2010 for EEE • Support for 10/100/1000 Mbps data transfer • Full duplex and half duplex are supported • Programmable frame length to support both standard and jumbo frames up to 16 KB • 17 MAC address registers for the address filter block • Variety of flexible addresses filtering modes are supported • Advanced IEEE 1588-2002 & 2008 Ethernet frame time-stamping supported • MII/RMII/RGMII interface is supported by RMII/RGMII converter
Ethernet switch (ETHSW)* ²	<ul style="list-style-type: none"> • 3-port PHY interfaces • IEEE802.3 • Support for 10/100/1000 Mbps data transfer • Full and half duplex (1000 Mbps supports full-duplex only) • Hardware switching, lookup, and filtering • QoS with frame prioritization • Priority control based on VLAN Priority (IEEE802.1q), which enables priority reassignment • Classification and priority assignment based on IPv4 DiffServ Code Point Field, IPv6 Class of Service • Queue with eight priority levels • Multicasting and broadcasting • VLAN frame • IEEE 1588-2008 compatible • Programmable addition, removal and manipulation of ingress and egress VLAN tags, supporting single and double-tagged VLAN frames on each port • Cut-through and hub features • Device level ring (DLR) • Programmable egress rate limit per port • Ingress Configurable Broadcast/multicast storm protection per port • IEEE802.1X source address authentication supported • IEEE802.1X guest VLAN supported • PRP functionality (IEC 62439-3 edition 2.0- 2012) • Configurable Time Multiplexed (TDMA) output queue scheduler supporting real-time network infrastructures using time slots for bandwidth reservation enabling deterministic delays • Frame preemption • Cyclic queuing and forwarding • Forwarding rule for the TSN-IA profile • A MAC source address filtering • Pattern matchers 12 channels • Independent two timer module are available for timestamping and time for TDMA. • Remote monitoring through SNMP • Powerlink capable hub • 4 additional PTP timer pulse generators • MAC to MAC connection • MII/RMII/RGMII interface is supported by RMII/RGMII converter
EtherCAT slave controller (ESC)* ¹ * ²	<ul style="list-style-type: none"> • 1 channel (3 ports) • EtherCAT Slave Controller IP core (made by Beckhoff Automation GmbH) implemented • MII interface is supported. RMII/RGMII interface is supported by RGMII converter in Ethernet Subsystem.
USB 2.0 HS host/function module	<ul style="list-style-type: none"> • 1 port • Compliance with the USB 2.0 specification • OTG support • Transfer rate <ul style="list-style-type: none"> High speed (480 Mbps), full speed (12 Mbps), low speed (1.5 Mbps, host only) • Communications buffer <ul style="list-style-type: none"> – Incorporates 1 KB of RAM for host mode – Incorporates 8 KB of RAM for function mode • DMAC (2 channels) incorporated

Table 1.8 Communication interfaces (2 of 2)

Feature	Functional description
Serial communication interface (SCI)	<ul style="list-style-type: none"> ● 6 channels ● 5 communication mode <ul style="list-style-type: none"> – Asynchronous interfaces – 8-bit clock synchronous interface – Simple I2C (master-only) – Simple SPI – Smart card interface ● Clock source is select from among four internal clock signals ● Bit rate specifiable with the on-chip baud rate generator ● Full-duplex and half-duplex communication ● Data length: 7 to 9 bits (Asynchronous mode) ● Bit rate modulation ● Double speed mode (Asynchronous, Clock Synchronous, Simple SPI mode) ● RS-485 driver control function (Asynchronous mode) ● Loopback function to enable self-diagnosis (Asynchronous, Clock synchronous mode)
I ² C bus interface (IIC)	<ul style="list-style-type: none"> ● 3 channels ● Communication formats: I2C bus format or SMBus format ● Master or slave mode selectable ● Supports the multi-master ● Maximum transfer rate: 400 kbps (Standard mode and Fast mode)
CAN-FD module (CANFD) ^{*3}	<ul style="list-style-type: none"> ● 2 channels ● Comply with CAN-FD ISO 11898-1 (2015) ● Communication speed <ul style="list-style-type: none"> – Classical CAN mode: 1 Mbps – CAN FD mode: <ul style="list-style-type: none"> Nominal bit rate: max. 1 Mbps Data bit rate: max. 8 Mbps ● Total 192 message buffers (in case frame size is 76 bytes) <ul style="list-style-type: none"> – Individual buffers: 64 for TX – Shared buffers: 128 for TX and RX including FIFO ● Selectable ID type with 11-bit Standard and 18-bit Extended ● Selectable Frame type: Data Frame and Remote Frame ● Up to 256 receive rules
Serial peripheral interface (SPI)	<ul style="list-style-type: none"> ● 4 channels ● SPI transfer facility Using the MOSI (master out slave in), MISO (master in slave out), SSL (slave select), and RSPCK (SPI clock) signals enables serial transfer through SPI operation (four lines) or clock-synchronous operation (three lines) capable of handling serial transfer as a master or slave ● Data formats <ul style="list-style-type: none"> – Switching between MSB first and LSB first – Transfer bit length selectable to 4 - 32 bits – 32 bits × 4-stage FIFO transmit and receive buffers – Up to four frames can be transmitted or received in a single transfer operation (with each frame having up to 32 bits) ● RSPCK can be stopped automatically with the reception buffer full for master reception
Expanded serial peripheral interface (xSPI)	<ul style="list-style-type: none"> ● 2 channels ● Comply with JESD251 ● Multiple slave up to 2 slaves ● Protocol mode: 1/4/8pin with SDR/DDR 1S-1S-1S, 4S-4D-4D, 8D-8D-8D ● Support OctaFlash, OctaRAM, HyperFlash and HyperRAM ● Protocol mode: 2/4pin with SDR compatible with QSPI 1S-2S-2S, 2S-2S-2S 1S-4S-4S, 4S-4S-4S ● Configurable address length ● Configurable initial access latency cycle ● Support XiP mode ● Support up to 64 MB address space each CS ● Prefetch function for burst-read with low latency ● Outstanding buffer for burst-write with high throughput ● Manual command configurable up to 4 commands ● Output clock/input strobe port timing shift ● Automatic command after released reset: up to 4 commands

Note 1. EtherCAT is a registered trademark of Beckhoff Automation GmbH, Germany.

Note 2. GMAC, ETHSW, and ESC are not supported for 176-pin and 128-pin devices. The 225-pin product also has devices which do not support GMAC, ETHSW, and ESC.

Note 3. Classical CAN mode only for 176-pin and 128-pin devices. The 320-pin and 225-pin products have devices with Classical CAN mode only.

Table 1.9 Analog

Feature	Functional description
12-bit A/D converter (ADC12)	<ul style="list-style-type: none"> 12 bits × 2 units (unit 0: 8 channels, unit 1: 16 channels) 12-bit resolution Conversion time 0.84 μs per channel Operating mode Scan mode (single scan mode, continuous scan mode, or 3 group scan mode) Group priority control Sample-and-hold function Common sample-and-hold circuit included In addition, channel-dedicated sample-and-hold function (3 channels: in unit 0 only) included Sampling variable Sampling time can be set up for each channel Double trigger mode (A/D conversion data duplicated) Three ways to start A/D conversion Software trigger, timer (MTU3, ELC) trigger, external trigger Event linking by the ELC
Temperature sensor unit (TSU)	<ul style="list-style-type: none"> 1 channel Relative precision: ±1°C (typ)

Table 1.10 Hardware accelerator for industrial interfaces

Feature	Functional description
ΔΣ interface (DSMIF)	<ul style="list-style-type: none"> 3 channels × 2 units Selectable 2 inputs (U/V) or 3 inputs (U/V/W) Up to 6 ΔΣ modulators are externally connectable Sinc filter can be selected as first, second or third order Direct error connection to POE3 and POEG
Trigonometric function unit (TFU)	Calculation of sine, cosine, arctangent, hypot_k ($\sqrt{x^2 + y^2}/k$) <ul style="list-style-type: none"> Simultaneous calculation of sine and cosine Simultaneous calculation of arctangent and hypot_k
Encoder interfaces*1	<ul style="list-style-type: none"> EnDat 2.2, BiSS, FA-CODER*2, A-format, and HIPERFACE DSL-compliant interfaces

Note 1. This applies to the devices with the encoder interfaces. For details, contact our sales representative.

Note 2. Under planning

Table 1.11 Safety (1 of 2)

Feature	Functional description
Memory protection unit (MPU)	<ul style="list-style-type: none"> Cortex-R52 MPU Two stages MPUs (EL2 and EL1) 24 regions each MPU Master MPU Memory protection for masters except Cortex-R52 (DMAC, USB, Ethernet MAC, CoreSight)
Register write protection function	Protects important registers from being overwritten for in case a program runs out of control.
CRC calculator (CRC)	<ul style="list-style-type: none"> 2 channels CRC code generation for arbitrary amounts of data in 8-, 16-, or 32-bit units Select any of four generating polynomials: <ul style="list-style-type: none"> $X^{32} + X^{26} + X^{23} + X^{22} + X^{16} + X^{12} + X^{11} + X^{10} + X^8 + X^7 + X^5 + X^4 + X^2 + X + 1$ (32-Ethernet) $X^{32} + X^{28} + X^{27} + X^{26} + X^{25} + X^{23} + X^{22} + X^{20} + X^{19} + X^{18} + X^{14} + X^{13} + X^{11} + X^{10} + X^9 + X^8 + X^6 + 1$ (CRC-32C) $X^{16} + X^{15} + X^2 + 1$ (CRC-16) $X^{16} + X^{12} + X^5 + 1$ (CRC-CCITT) $X^8 + X^2 + X + 1$ (CRC-8)

Table 1.11 Safety (2 of 2)

Feature	Functional description
Clock monitor circuit (CLMA)	<ul style="list-style-type: none"> Monitors the abnormal output clock frequency from the input clock (main clock oscillator), PLL circuit, or low-speed on-chip oscillator. Input clock oscillation stop detection: Available
Data operation circuit (DOC)	The function to compare, add, or subtract 16-bit data
Isolated peripherals	<ul style="list-style-type: none"> Safety dedicated peripherals are available: <ul style="list-style-type: none"> GPT: 4 ch SCI: 1 ch IIC: 1 ch SPI: 1 ch CRC: 1 unit RTC: 1 unit GPIO: Sharable with normal GPIO On-chip system SRAM with ECC They are mapped independently from normal peripherals so that access protection can be done by EL2 MPU.

Table 1.12 Security

Feature	Functional description
Security*1	<ul style="list-style-type: none"> Secure boot JTAG authentication SCI/USB boot authentication Cryptographic accelerators <ul style="list-style-type: none"> Symmetric Cipher: AES 128/192/256 bits with CBC/ECB/CTR/GCM/XTS Asymmetric Cipher: ECC 256 bits, RSA 1024/2048/3072 bits, RSAES-OAEP Hash: SHA-1, SHA-2 Message authentication: HMAC, CMAC, GMAC Signature algorithms: ECDSA with NIST P-256, RSASSA-PSS, RSASSA-PKCS1 TRNG

Note 1. For details, contact our sales representative.

Table 1.13 Debug

Feature	Functional description
Debugging interface	<ul style="list-style-type: none"> CoreSight architecture designed by Arm Debugging function by the JTAG/SWD interface, and trace function by the trace port interface

Table 1.14 Others

Feature	Functional description
Power supply voltage	VDD = 1.1 V (Core) VCC18 = 1.8 V (PLL, USB, ADC, TSU) VCC33 = 3.3 V (I/O, USB) VCC1833 = 1.8 V (RGMII, xSPI) or 3.3 V (RMII/MII, xSPI*1)
Operating temperature	Tj = -40 to +125°C
Packages	320 pin FBGA 17 × 17 mm, 0.8-mm pitch 225 pin FBGA 13 × 13 mm, 0.8-mm pitch 176 pin LQFP (Exposed Die Pad) 24 × 24 mm, 0.5-mm pitch 128 pin LQFP (Exposed Die Pad) 20 × 14 mm, 0.5-mm pitch

Note 1. Maximum xSPI clock frequency is 75 MHz at 3.3 V.

1.2 Function Comparison

Table 1.15 Comparison of Functions for Different Packages

Module/Function		320 pins	225 pins	176 pins	128 pins
CPU	ARM Cortex-R52	Dual	Dual	Single (CPU0)	Single (CPU0)
Memory	System SRAM	2.0 MB	2.0 MB	1.5 MB	1.5 MB
External bus	External bus width	32 bits			16 bits
Interrupt	External interrupt	NMI, IRQ0 to IRQ15			
DMA	DMA controller (DMAC)	2 units (DMAC0: 16 channels, DMAC1: 16 channels)			
Timer	Multi-function timer pulse unit 3 (MTU3)	9 channels			
	General PWM timer (GPT)	18 channels		18 channels ^{*1}	18 channels ^{*2}
	Compare match timer (CMT)	6 channels			
	Compare match timer W (CMTW)	2 channels			
	Watchdog timer	2 channels		1 channels	
	Port output enable 3 (POE3)	Available			
	Port output enable for GPT (POEG)	Available			
	Real time clock (RTC)	Available			
Communication function	Ethernet MAC (GMAC)	1 port ^{*5}		Not supported	
	Ethernet switch (ETHSW)	3 ports (PHY interface) ^{*5}		Not supported	
	EtherCAT slave controller (ESC)	3 ports ^{*5}		Not supported	
	USB 2.0 HS host/function module (USB)	1 port			
	Serial communication interface (SCI)	6 channels			
	I2C bus interface (IIC)	3 channels			
	CANFD module (CANFD)	2 channels ^{*6}		2 channels (Classical CAN mode only)	
	Serial peripheral interface (SPI)	4 channels			
	Expanded serial peripheral interface (xSPI)	2 channels (1.8 V or 3.3 V)	1 channel (1.8 V or 3.3 V)	2 channels ^{*3} (3.3 V)	
$\Delta\Sigma$ interface (DSMIF)	2 units (DSMIF0: 3 channels, DSMIF1: 3 channels)				
Trigonometric function unit (TFU)	Available				
12-bit A/D converter (ADC12)	2 units (ADC120: 8 channels, ADC121: 16 channels)	2 units (ADC120: 4 channels, ADC121: 8 channels)	1 unit (ADC120: 8 channels)		
Temperature sensor unit (TSU)	Available				
CRC calculator (CRC)	2 channels				
Clock monitor circuit (CLMA)	Available				
Data operation circuit (DOC)	Available				
Security ^{*4}	Optional				
Event link controller (ELC)	Available				
Encoder interfaces ^{*4}	Available				

Note 1. Input capture and output compare port is not supported for ch13.

Note 2. Input capture and output compare port is not supported for ch11 to ch13.

Note 3. Up to quad connection

Note 4. For details, contact our sales representative.

Note 5. The 225-pin product has non-supported devices.

Note 6. Classical CAN mode-only device is also available.

1.3 Product Lineup

Table 1.16 shows a product lineup.

Table 1.16 Product lineup

Part Number	Package	CPU	System SRAM Capacity	CAN	Ethernet	Security
R9A07G075M28GBG	PLBG0320GA-A	Dual Cortex-R52	2.0 MB	CAN-FD	Available	Available
R9A07G075M26GBG	PLBG0320GA-A	Dual Cortex-R52	2.0 MB	Classical CAN	Available	Available
R9A07G075M24GBG	PLBG0320GA-A	Dual Cortex-R52	2.0 MB	CAN-FD	Available	Not available
R9A07G075M22GBG	PLBG0320GA-A	Dual Cortex-R52	2.0 MB	Classical CAN	Available	Not available
R9A07G075M28GBA	PLBG0225GB-A	Dual Cortex-R52	2.0 MB	CAN-FD	Available	Available
R9A07G075M26GBA	PLBG0225GB-A	Dual Cortex-R52	2.0 MB	Classical CAN	Available	Available
R9A07G075M27GBA	PLBG0225GB-A	Dual Cortex-R52	2.0 MB	CAN-FD	Not available	Available
R9A07G075M24GBA	PLBG0225GB-A	Dual Cortex-R52	2.0 MB	CAN-FD	Available	Not available
R9A07G075M22GBA	PLBG0225GB-A	Dual Cortex-R52	2.0 MB	Classical CAN	Available	Not available
R9A07G075M21GBA	PLBG0225GB-A	Dual Cortex-R52	2.0 MB	Classical CAN	Not available	Not available
R9A07G075M05GFP	PLQP0176KI-A	Single Cortex-R52	1.5 MB	Classical CAN	Not available	Available
R9A07G075M01GFP	PLQP0176KI-A	Single Cortex-R52	1.5 MB	Classical CAN	Not available	Not available
R9A07G075M05GFA	PLQP0128KH-A	Single Cortex-R52	1.5 MB	Classical CAN	Not available	Available
R9A07G075M01GFA	PLQP0128KH-A	Single Cortex-R52	1.5 MB	Classical CAN	Not available	Not available

1.4 Block Diagram

Figure 1.1 shows a block diagram of a 320-pin device.

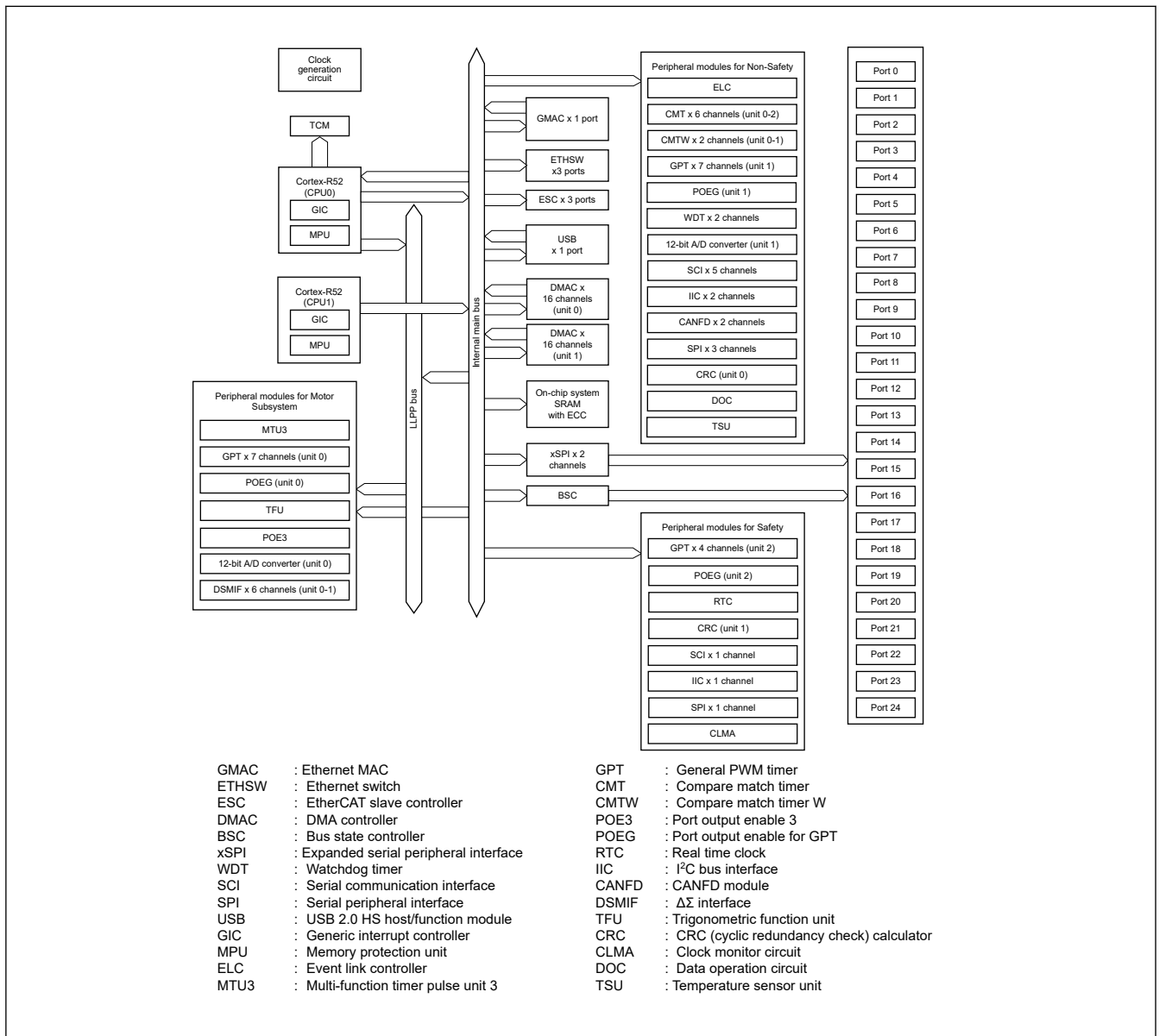


Figure 1.1 Block diagram of a 320-pin device

1.5 Pin Functions

Table 1.17 lists the pin functions.

Table 1.17 Pin functions (1 of 7)

Classification	Pin name	I/O	Description
Power supply	VDD	Input	Power supply pin. Connect this pin to the system power supply.
	VSS	Input	Ground pin. Connect this pin to the system power supply (0 V).
	VCC1833_0 VCC1833_1 VCC1833_2 VCC1833_3 VCC1833_4	Input	Power supply pin for each I/O domains. (1.8 V or 3.3 V) This pin is available for BGA package product only.
	VCC33	Input	Power supply pin for I/O pins.
	VCC18_PLL0, VCC18_PLL1	Input	Power supply pins for the on-chip PLL oscillator
	AVCC18_TSU*1	Input	Power supply pin for the temperature sensor unit
	Clock	XTAL	Output
EXTAL		Input	
EXTCLKIN		Input	Inputs the external clock. When a crystal resonator is connected, it should be driven low.
CKIO		Output	Outputs the external bus clock for external devices.
ETH0_REFCLK		Output	Outputs 25 MHz clock for EtherPHY 0
ETH1_REFCLK		Output	Outputs 25 MHz clock for EtherPHY 1
ETH2_REFCLK		Output	Outputs 25 MHz clock for EtherPHY 2
RMII0_REFCLK		Output	Outputs 50 MHz clock for RMII0
RMII1_REFCLK		Output	Outputs 50 MHz clock for RMII1
RMII2_REFCLK		Output	Outputs 50 MHz clock for RMII2
Operating mode control	MDX	Input	This signal should be driven low.
	MD0 to MD2	Input	Input the operating mode select signal. The signal level on these pins must not be changed during operation mode transition on release from the reset state.
	MDV0 to MDV4	Input	Input the operating voltage select signal. The signal level on these pins must not be changed during operation mode transition on release from the reset state.
	MDW	Input	Input the ATCM wait cycle select signal. The signal level on this pin must not be changed during operation mode transition on release from the reset state.
	MDD	Input	Input the enabling JTAG authentication by hash signal. The signal level on this pin must not be changed during operation mode transition on release from the reset state.
	TEST*2	Input	Renesas Test pin. This pin should be connected to VSS.

Table 1.17 Pin functions (2 of 7)

Classification	Pin name	I/O	Description
System control	RES#	Input	Inputs the reset signal. This MPU enters the reset state when this signal goes low.
	BSCANP	Input	Inputs the boundary scan enable signal. Boundary scan is enabled when this pin goes high. When boundary scan is not used, this pin should be driven low.
	RSTOUT#	Output	Outputs the reset signal externally
Debugging interface	TRST#	Input	Test reset pin for the on-chip emulator
	TMS	I/O	Test mode select pin for the on-chip emulator Functions as the SWDIO pin in serial wire debug (SWD) mode
	TDI	Input	Test data input pin for the on-chip emulator
	TDO	Output	Test data output pin for the on-chip emulator
	TCK	Input	Test clock pin for the on-chip emulator Functions as the SWCLK pin in serial wire debug (SWD) mode
	TRACECLK	Output	Outputs the clock for synchronization with trace data
	TRACECTL	Output	Outputs the enable signal for trace control
	TRACEDATA0 to TRACEDATA7	Output	Output trace data

Table 1.17 Pin functions (3 of 7)

Classification	Pin name	I/O	Description
Bus state controller (BSC)	A25 to A0	Output	Output the address
	D31 to D0	I/O	Input and output the data
	CS0#, CS2#, CS3#, CS5#	Output	Output the chip select signal for the external memory or device.
	RD#	Output	Outputs the strobe signal which indicates a read is in progress.
	RD/WR#	Output	Outputs the strobe signal which indicates a read or write access
	BS#	Output	Outputs the status signal which indicates the start of the bus cycle
	AH#	Output	Outputs the address hold signal for the device that uses the multiplexed I/O interface
	WAIT#	Input	Inputs the external wait control signal which inserts a wait cycle into the bus cycle
	WE0#	Output	Outputs the write strobe signal to D7 to D0
	WE1#	Output	Outputs the write strobe signal to D15 to D8
	WE2#	Output	Outputs the write strobe signal to D23 to D16
	WE3#	Output	Outputs the write strobe signal to D31 to D24
	DQMLL	Output	Outputs the data mask enable signal to D7 to D0 when SDRAM is connected
	DQMLU	Output	Outputs the data mask enable signal to D15 to D8 when SDRAM is connected
	DQMUL	Output	Outputs the data mask enable signal to D23 to D16 when SDRAM is connected
	DQMUU	Output	Outputs the data mask enable signal to D31 to D24 when SDRAM is connected
	RAS#	Output	Outputs the row-address strobe signal to the SDRAM. This pin should be connected to the RAS# pin on the SDRAM.
	CAS#	Output	Outputs the column-address strobe signal to the SDRAM. This pin should be connected to the CAS# pin on the SDRAM.
CKE	Output	Outputs the clock enable signal to the SDRAM. This pin should be connected to the CKE pin on the SDRAM.	
Direct memory access controller (DMAC)	DREQ	Input	Inputs the DMA transfer request signal from the external device
	DACK	Output	Outputs the acknowledge signal which indicates acceptance of the DMA transfer request from the external device
	TEND	Output	Outputs the DMA transfer end signal
Interrupt	NMI	Input	Inputs the non-maskable interrupt request signal
	IRQ0 to IRQ15	Input	Input the external interrupt request signal

Table 1.17 Pin functions (4 of 7)

Classification	Pin name	I/O	Description
Multi-function timer pulse unit 3 (MTU3)	MTIOC0A, MTIOC0B, MTIOC0C, MTIOC0D	I/O	TGRA0 to TGRD0 input capture input, output compare output, and PWM output pins
	MTIOC1A, MTIOC1B	I/O	TGRA1 and TGRB1 input capture input, output compare output, and PWM output pins
	MTIOC2A, MTIOC2B	I/O	TGRA2 and TGRB2 input capture input, output compare output, and PWM output pins
	MTIOC3A, MTIOC3B, MTIOC3C, MTIOC3D	I/O	TGRA3 to TGRD3 input capture input, output compare output, and PWM output pins
	MTIOC4A, MTIOC4B, MTIOC4C, MTIOC4D	I/O	TGRA4 to TGRD4 input capture input, output compare output, and PWM output pins
	MTIC5U, MTIC5V, MTIC5W	Input	TGRU5, TGRV5, and TGRW5 input capture input and dead time compensation input pins
	MTIOC6A, MTIOC6B, MTIOC6C, MTIOC6D	I/O	TGRA6 to TGRD6 input capture input/output compare output/PWM output pins
	MTIOC7A, MTIOC7B, MTIOC7C, MTIOC7D	I/O	TGRA7 to TGRD7 input capture input/output compare output/PWM output pins
	MTIOC8A, MTIOC8B, MTIOC8C, MTIOC8D	I/O	TGRA8 to TGRD8 input capture input/output compare output/PWM output pins
	MTCLKA, MTCLKB, MTCLKC, MTCLKD	Input	External clock input pins for MTU3
Port output enable 3 (POE3)	POE0#, POE4#, POE8#, POE10#, POE11#	Input	Input the request signal to place the MTU3 in the high-impedance state
General PWM timer (GPT)/ Port output enable for GPT (POEG)	GTETRGA, GTETRGB, GTETRGC, GTETRGD	Input	External trigger input and output-disable request input pins
	GTETRGS A, GTETRGS B	Input	External trigger input and output-disable request input pins (SAFETY)
	GTIOC0A to GTIOC17A, GTIOC0B to GTIOC17B	I/O	Input capture input/output compare output/PWM output pins
	GTADSML0, GTADSML1, GTADSMP0, GTADSMP1	Output	Output pins for monitoring A/D conversion start requests
Compare match timer W (CMTW)	CMTW0_TIC0, CMTW0_TIC1, CMTW1_TIC0, CMTW1_TIC1	Input	CMTW input capture input pins
	CMTW0_TOC0, CMTW0_TOC1, CMTW1_TOC0, CMTW1_TOC1	Output	CMTW output compare output pins
Real time clock (RTC)	RTCAT1HZ	Output	RTC 1 Hz output pin

Table 1.17 Pin functions (5 of 7)

Classification	Pin name	I/O	Description
Serial communication interface (SCI)	SCK0 to SCK5	I/O	Clock I/O pins (clock synchronous mode/simple SPI mode/smart card mode)
	RXD0 to RXD5	Input	Input the receive data (asynchronous mode/clock synchronous mode/smart card mode)
	TXD0 to TXD5	Output	Output the transmit data (asynchronous mode/clock synchronous mode/smart card mode)
	CTS0# to CTS5#	Input	Input the start of transmission (asynchronous mode/clock synchronous mode) active-low
	RTS0# to RTS5#	Output	Output the reception (asynchronous mode/clock synchronous mode) active-low
	SCL0 to SCL5	I/O	Input/output the I2C clocks (simple I2C mode)
	SDA0 to SDA5	I/O	Input/output the I2C data (simple I2C mode)
	MISO0 to MISO5	I/O	Input/output the data for slave transmission (simple SPI mode)
	MOSI0 to MOSI5	I/O	Input/output the data for master transmission (simple SPI mode)
	SS0# to SS5#	Input	Chip-select input pins (simple SPI mode) active-low
	DE0 to DE5	Output	Driver enable output pins (asynchronous mode)
I2C bus interface (IIC)	IIC_SCL0 to IIC_SCL2	I/O	Clock I/O pins
	IIC_SDA0 to IIC_SDA2	I/O	Data I/O pins
Ethernet	ETH0_TXCLK to ETH2_TXCLK	I/O	TX clock input pins (MII mode) TX clock output pins (RGMII mode)
	ETH0_TXD0 to ETH2_TXD0	Output	TX data 0 pins (RGMII, RMII, and MII modes)
	ETH0_TXD1 to ETH2_TXD1	Output	TX data 1 pins (RGMII, RMII, and MII modes)
	ETH0_TXD2 to ETH2_TXD2	Output	TX data 2 pins (RGMII and MII modes)
	ETH0_TXD3 to ETH2_TXD3	Output	TX data 3 pins (RGMII and MII modes)
	ETH0_TXEN to ETH2_TXEN	Output	TX data enable pins (RMII and MII modes) TX data enable/TX data error (TX_CTL) pins (RGMII mode)
	ETH0_TXER to ETH2_TXER	Output	TX data error pins (MII mode)
	ETH0_RXCLK to ETH2_RXCLK	Input	RX clock pins (RGMII, RMII, and MII modes)
	ETH0_RXD0 to ETH2_RXD0	Input	RX data 0 pins (RGMII, RMII, and MII modes)
	ETH0_RXD1 to ETH2_RXD1	Input	RX data 1 pins (RGMII, RMII, and MII modes)
	ETH0_RXD2 to ETH2_RXD2	Input	RX data 2 pins (RGMII and MII modes)
	ETH0_RXD3 to ETH2_RXD3	Input	RX data 3 pins (RGMII and MII modes)
	ETH0_RXDV to ETH2_RXDV	Input	RX data valid pins (MII mode) Carrier sense/RX data valid (CRS_DV) pins (RMII mode) RX data valid/RX error (RX_CTL) pins (RGMII mode)
	ETH0_RXER to ETH2_RXER	Input	RX data error pins (RMII and MII modes)
	ETH0_CRS to ETH2_CRS	Input	Carrier sense pins (MII mode)
ETH0_COL to ETH2_COL	Input	Collision detection pins (MII mode)	
Ethernet MAC (GMAC)	GMAC_PTPTRG0	Input	PTP timer trigger external input 0
	GMAC_PTPTRG1	Input	PTP timer trigger external input 1
	GMAC_MDC	Output	Management data clock output pin
	GMAC_MDIO	I/O	Management data I/O pin

Table 1.17 Pin functions (6 of 7)

Classification	Pin name	I/O	Description
Ethernet switch (ETHSW)	ETHSW_LPI0	Output	Port 0 MAC status indicates that it is currently receiving low-power-idle sequences from the PHY
	ETHSW_LPI1	Output	Port 1 MAC status indicates that it is currently receiving low-power-idle sequences from the PHY
	ETHSW_LPI2	Output	Port 2 MAC status indicates that it is currently receiving low-power-idle sequences from the PHY
	ETHSW_PTPOUT0 to ETHSW_PTPOUT3	Output	Ethernet switch timer pulse output pins
	ETHSW_TDMAOUT0 to ETHSW_TDMAOUT3	Output	Ethernet switch TDMA timer output pins
	ETHSW_PHYLINK0 to ETHSW_PHYLINK2	Input	Ethernet switch PHY link status input pins
	ETHSW_MDC	Output	Management data clock output pin
	ETHSW_MDIO	I/O	Management data I/O pin
EtherCAT slave controller (ESC)	ESC_LED RUN	Output	Outputs the EtherCAT RUN LED signal
	ESC_IRQ	Output	Outputs the EtherCAT IRQ signal
	ESC_LED STER	Output	Outputs the EtherCAT Dual-color state LED signal
	ESC_LED ERR	Output	Outputs the EtherCAT error LED signal
	ESC_LINKACT0 to ESC_LINKACT2	Output	Output the EtherCAT link/activity LED signal
	ESC_SYNC0, ESC_SYNC1	Output	Output the EtherCAT SYNC signal
	ESC_LATCH0, ESC_LATCH1	Input	Input the EtherCAT LATCH signal
	ESC_RESETOUT#	Output	Output the EtherCAT reset signal
	ESC_I2CCLK	Output	Outputs the EtherCAT EEPROM I2C clock signal
	ESC_I2CDATA	I/O	Inputs and outputs the EtherCAT EEPROM I2C data signal
	ESC_PHYLINK0 to ESC_PHYLINK2	Input	Inputs the EtherCAT PHY link status signal.
	ESC_MDC	Output	Management data clock output pin
	ESC_MDIO	I/O	Management data I/O pin
USB 2.0 host/function module	VCC33_USB	Input	Power supply input pin for USB
	VCC18_USB	Input	Power supply input pin for USB
	VSS_USB	Input	Ground input pins for USB
	AVCC18_USB	Input	Analog power supply input pin for USB
	USB_RREF	Input	Reference current input pin for USB. Connect this pin to the VSS_USB pin with 1.8 kΩ (±1%).
	USB_DP	I/O	USB bus D+ data I/O pin
	USB_DM	I/O	USB bus D- data I/O pin
	USB_VBUSEN	Output	Outputs the VBUS power enable signal for USB
	USB_OVRCUR	Input	Inputs the overcurrent signal for USB
	USB_VBUSIN	Input	USB cable connection/disconnection detection input pin
	USB_EXICEN	Output	OTG power supply IC control pin
	USB_OTGID	Input	OTG ID pin

Table 1.17 Pin functions (7 of 7)

Classification	Pin name	I/O	Description
CANFD module (CANFD)	CANRX0, CANRX1	Input	Receive data input pins
	CANTX0, CANTX1	Output	Transmit data output pins
	CANRXDP0, CANRXDP1	Output	Receive data phase output pins
	CANTXDP0, CANTXDP1	Output	Transmit data phase output pins
Serial peripheral interface (SPI)	SPI_RSPCK0 to SPI_RSPCK3	I/O	Clock I/O pins
	SPI_MOSI0 to SPI_MOSI3	I/O	Master transmit data I/O pins
	SPI_MISO0 to SPI_MISO3	I/O	Slave transmit data I/O pins
	SPI_SSL00 to SPI_SSL30	I/O	Slave select signal I/O pins
	SPI_SSL01 to SPI_SSL31, SPI_SSL02 to SPI_SSL32, SPI_SSL03 to SPI_SSL33	Output	Slave select signal output pins
Expanded serial peripheral interface (xSPI)	XSPI0_CKP, XSPI1_CKP, XSPI0_CKN, XSPI1_CKN	Output	Clock output pins
	XSPI0_CS0#, XSPI0_CS1#, XSPI1_CS0#, XSPI1_CS1#	Output	Chip select output pins
	XSPI0_DS, XSPI1_DS	I/O	Read data strobe/write data mask input/output pin
	XSPI0_IO0 to XSPI0_IO7, XSPI1_IO0 to XSPI1_IO7	I/O	Data0 to Data7 input/output pins
	XSPI0_RESET0#, XSPI0_RESET1#, XSPI1_RESET0#, XSPI1_RESET1#	Output	Master reset status output pins
	XSPI0_RSTO0#, XSPI0_RSTO1#, XSPI1_RSTO0#, XSPI1_RSTO1#	Input	Slave reset status input pins
	XSPI0_INT0#, XSPI0_INT1#, XSPI1_INT0#, XSPI1_INT1#	Input	Interrupt input pins
	XSPI0_ECS0#, XSPI0_ECS1#, XSPI1_ECS0#, XSPI1_ECS1#	Input	Error correction status input pins
	XSPI0_WP0#, XSPI0_WP1#, XSPI1_WP0#, XSPI1_WP1#	Output	Write protect output pins
	$\Delta\Sigma$ interface (DSMIF)	MCLK0 to MCLK5	I/O
MDAT0 to MDAT5		Input	Data input pins
12-bit A/D converter (ADC12)	AN000 to AN007, AN100 to AN115	Input	Analog input pins for the A/D converter
	ADTRG0#, ADTRG1#	Input	External trigger input pins for the start of A/D conversion
Analog power supply	VCC18_ADC0, VCC18_ADC1	Input	Analog power supply input pin for the 12-bit A/D converter. Connect this pin to the 1.8 V power supply if the 12-bit A/D converter is not to be used.
	VREFH0, VREFH1	Input	Reference voltage input pin for the 12-bit A/D converter. Connect this pin to the 1.8 V power supply if the 12-bit A/D converter is not to be used.
I/O ports	P00_0 to P24_2	I/O	General-purpose input/output pins
Encoder I/F	ENCIF0 to ENCIF15	I/O	I/O pins for multi-protocol encoder interface

Note 1. AVCC18_TSU input is shared with VCC18_ADC0 on 176 LQFP and 128 LQFP.

Note 2. The TEST pin is for 176 LQFP only.

1.6 FBGA 320 Pin Assignments

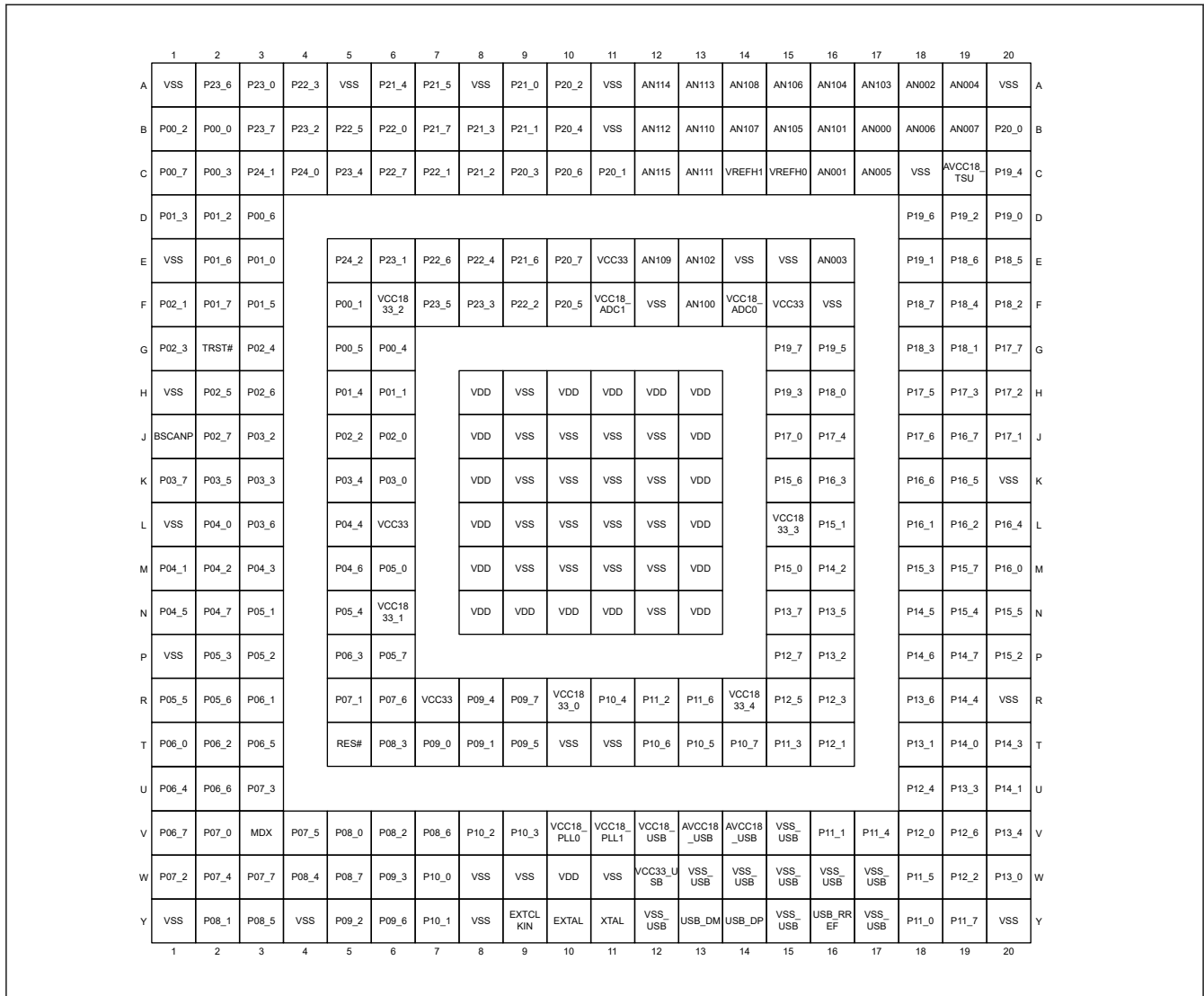


Figure 1.2 Pin arrangement (320-pin FBGA) (top view)

Table 1.18 List of pins and pin functions (320-pin FBGA) (1 of 10)

Pin number	I/O power domain	Power supply clock system control	I/O port	Bus	Timer (MTU3, POE3, GPT / POEG, CMTW, RTC)	Communication (SCI, IIC, GMAC, ETHSW, ESC, USB, CANFD, SPI, xSPI)	DSMIF	Interrupt	ADC12	Encoder I/F
A1	—	VSS	—	—	—	—	—	—	—	—
A2	—	—	P23_6	D21	MTIOC8B	SS0# / CTS0# / RTS0#	—	—	—	—
A3	—	—	P23_0	D15	—	SPI_MOSI2	—	IRQ5	—	—
A4	—	—	P22_3	D10	MTIOC8D / GTETRGSB	—	—	—	—	ENCIF11
A5	—	VSS	—	—	—	—	—	—	—	—
A6	—	TRACEDATA3	P21_4	D3	MTIOC6D / GTIOC15B	SS5# / CTS5# / RTS5# / SPI_SSL02	MDAT 1	—	—	ENCIF8
A7	—	TRACEDATA4	P21_5	D4	MTIOC7A / GTIOC16A / CMTW1_TOC1	CTS5# / SPI_MISO0	MCLK 2	IRQ6	ADTRG1#	ENCIF9
A8	—	VSS	—	—	—	—	—	—	—	—
A9	—	—	P21_0	WE2# / DQMUL	MTIOC2B / GTIOC13B	ETHSW_PTPOUT3 / ESC_LINKACT2	MDAT 5	—	—	—

Table 1.18 List of pins and pin functions (320-pin FBGA) (2 of 10)

Pin number	I/O power domain	Power supply clock system control	I/O port	Bus	Timer (MTU3, POE3, GPT / POEG, CMTW, RTC)	Communication (SCI, IIC, GMAC, ETHSW, ESC, USB, CANFD, SPI, xSPI)	DSMIF	Interrupt	ADC12	Encoder I/F
A10	—	MDV1	P20_2	—	—	DE3 / ETHSW_TDMAOUT1 / ESC_LED RUN / ESC_LEDSTER	—	—	—	—
A11	—	VSS	—	—	—	—	—	—	—	—
A12	—	—	—	—	—	—	—	—	AN114	—
A13	—	—	—	—	—	—	—	—	AN113	—
A14	—	—	—	—	—	—	—	—	AN108	—
A15	—	—	—	—	—	—	—	—	AN106	—
A16	—	—	—	—	—	—	—	—	AN104	—
A17	—	—	—	—	—	—	—	—	AN103	—
A18	—	—	—	—	—	—	—	—	AN002	—
A19	—	—	—	—	—	—	—	—	AN004	—
A20	—	VSS	—	—	—	—	—	—	—	—
B1	VCC1833_2	—	P00_2	D28 / RD#	MTIC5V	TXD2 / SDA2 / MOSI2 / ETH2_TXEN / USB_OVR CUR	—	—	—	—
B2	VCC1833_2	—	P00_0	D26 / D15	—	SCK2 / ETH2_RXD3	—	—	—	—
B3	VCC1833_2	—	P23_7	D22 / D11 / BS	MTIOC0A / GTETRGA	SCK1 / ETH2_RXD0	MCLK 4	—	—	ENCIF12
B4	—	—	P23_2	D17 / WE1# / DQMLU	MTCLKB	—	—	IRQ8	—	—
B5	—	—	P22_5	D12	—	CTS4#	—	—	—	—
B6	—	TRACEDATA7	P22_0	D7	MTIOC7D / GTIOC17B	DE5	MDAT 3	IRQ15	—	—
B7	—	TRACEDATA6	P21_7	D6 / DREQ	MTIOC7C / GTIOC17A	DE0	MCLK 3	IRQ10	—	—
B8	—	TRACEDATA2	P21_3	D2	MTIOC6A / GTIOC15A	TXD5 / SDA5 / MOSI5 / SPI_SSL33	MCLK 1	—	—	ENCIF7
B9	—	TRACEDATA0	P21_1	D0	MTIOC6A / GTIOC14A / CMTW0_TIC0	SCK5 / IIC_SCL1 / SPI_SSL20	MCLK 0	—	—	ENCIF5
B10	—	MDV3	P20_4	—	—	ETHSW_TDMAOUT3 / ESC_LINKACT1	—	—	—	—
B11	—	VSS	—	—	—	—	—	—	—	—
B12	—	—	—	—	—	—	—	—	AN112	—
B13	—	—	—	—	—	—	—	—	AN110	—
B14	—	—	—	—	—	—	—	—	AN107	—
B15	—	—	—	—	—	—	—	—	AN105	—
B16	—	—	—	—	—	—	—	—	AN101	—
B17	—	—	—	—	—	—	—	—	AN000	—
B18	—	—	—	—	—	—	—	—	AN006	—
B19	—	—	—	—	—	—	—	—	AN007	—
B20	—	—	P20_0	—	MTIOC7D / GTIOC7B	—	—	—	—	—
C1	VCC1833_2	—	P00_7	RAS#	MTIOC4A / GTIOC2A	—	—	IRQ13	—	—
C2	VCC1833_2	—	P00_3	D29 / RD/WR#	MTIC5W	SS2# / CTS2# / RTS2# / ETH2_REFCLK / RMII2_REFCLK	—	IRQ1	—	—
C3	VCC1833_2	—	P24_1	D24 / D13 / CAS#	MTIOC0C / POE8# / GTETRGC	ETH2_RXCLK	MCLK 5	—	—	ENCIF14
C4	VCC1833_2	—	P24_0	D23 / D12 / CKE / DREQ	MTIOC0B / GTETRGB	RXD1 / SCL1 / MISO1 / ETH2_RXD1	MDAT 4	—	—	ENCIF13
C5	—	—	P23_4	D19 / CS5#	MTCLKD	—	—	—	—	—
C6	—	—	P22_7	D14	—	SCK0 / IIC_SDA1	—	—	—	—
C7	—	TRACECTL	P22_1	D8	POE4#	SS4# / CTS4# / RTS4# / ESC_LINKACT2	—	—	—	—

Table 1.18 List of pins and pin functions (320-pin FBGA) (3 of 10)

Pin number	I/O power domain	Power supply clock system control	I/O port	Bus	Timer (MTU3, POE3, GPT / POEG, CMTW, RTC)	Communication (SCI, IIC, GMAC, ETHSW, ESC, USB, CANFD, SPI, xSPI)	DSMIF	Interrupt	ADC12	Encoder I/F
C8	—	TRACEDATA1	P21_2	D1	MTIOC6B / GTIOC14B / CMTW0_TIC1	RXD5 / SCL5 / MISO5 / IIC_SDA1 / SPI_MISO2	MDAT 0	—	—	ENCIF6
C9	—	MDV2	P20_3	—	—	ETHSW_TDMAOUT2 / ESC_LEDERR	—	—	—	—
C10	—	—	P20_6	—	MTIOC1B	IIC_SDA0 / ESC_I2CDATA	MDAT 4	—	—	—
C11	—	MDV0	P20_1	—	—	ETHSW_TDMAOUT0 / ESC_LINKACT0	—	—	—	—
C12	—	—	—	—	—	—	—	—	AN115	—
C13	—	—	—	—	—	—	—	—	AN111	—
C14	—	VREFH1	—	—	—	—	—	—	—	—
C15	—	VREFH0	—	—	—	—	—	—	—	—
C16	—	—	—	—	—	—	—	—	AN001	—
C17	—	—	—	—	—	—	—	—	AN005	—
C18	—	VSS	—	—	—	—	—	—	—	—
C19	—	AVCC18_TSU	—	—	—	—	—	—	—	—
C20	—	—	P19_4	—	MTIOC7A / GTIOC6A	—	—	—	—	—
D1	VCC1833_2	—	P01_3	WE3# / DQMUU / AH#	MTIOC4D / GTIOC3B	ETH2_TXD2	—	—	—	—
D2	VCC1833_2	—	P01_2	CS2#	MTIOC4B / GTIOC2B	ETH2_TXD3	—	IRQ2	—	—
D3	VCC1833_2	—	P00_6	CS5#	MTIOC3B / GTIOC1A	ETH2_TXCLK	—	—	—	—
D18	—	—	P19_6	—	MTIOC6D / GTIOC5B	—	—	—	—	—
D19	—	—	P19_2	—	MTIOC6C / GTIOC4B	—	—	IRQ3	—	—
D20	—	MDV4	P19_0	—	—	USB_VBUSEN	—	—	—	—
E1	—	VSS	—	—	—	—	—	—	—	—
E2	—	TRACEDATA0	P01_6	A20	MTIOC1A / GTIOC9A	CTS1# / GMAC_PTPTRG1 / ESC_LATCH1 / ESC_LATCH0 / CANTXDP1	—	—	—	ENCIF0
E3	VCC1833_2	—	P01_0	CAS#	MTIOC4C / GTIOC3A	CTS2# / GMAC_MDIO / ETHSW_MDIO / ESC_MDIO	MCLK 1	—	—	—
E5	VCC1833_2	—	P24_2	D25 / D14 / RAS#	MTIOC0D / GTETRGD	TXD1 / SDA1 / MOS11 / ETH2_RXD2	MDAT 5	—	—	ENCIF15
E6	—	—	P23_1	D16 / WE0# / DQMLL	MTCLKA	—	—	NMI	—	—
E7	—	—	P22_6	D13	—	DE4 / IIC_SCL1	—	—	—	—
E8	—	—	P22_4	D11	—	—	—	—	—	—
E9	—	TRACEDATA5	P21_6	D5 / TEND	MTIOC7B / GTIOC16B	CTS0#	MDAT 2	IRQ9	—	—
E10	—	—	P20_7	—	MTIOC2A / GTIOC13A	ETHSW_PTPOUT2 / ESC_RESETOUT#	MCLK 5	—	—	—
E11	—	VCC33	—	—	—	—	—	—	—	—
E12	—	—	—	—	—	—	—	—	AN109	—
E13	—	—	—	—	—	—	—	—	AN102	—
E14	—	VSS	—	—	—	—	—	—	—	—
E15	—	VSS	—	—	—	—	—	—	—	—
E16	—	—	—	—	—	—	—	—	AN003	—
E18	—	—	P19_1	—	MTIOC6A / GTIOC4A	—	—	—	—	—
E19	—	TRACECLK	P18_6	—	MTIC5W	SCK4 / IIC_SCL2 / SPI_MISO2	—	IRQ11	ADTRG0#	ENCIF15
E20	—	TRACECTL	P18_5	—	MTIC5V	RXD4 / SCL4 / MISO4 / SPI_MOSI2	—	—	—	ENCIF14
F1	—	MDW	P02_1	A17	—	ETHSW_PTPOUT1 / ESC_SYNC1 / ESC_SYNC0	—	—	—	—
F2	—	TRACEDATA1	P01_7	A19	MTIOC1B / GTIOC9B	SCK1 / ETHSW_LPI1 / CANRX0 / SPI_RSPCK3	—	—	ADTRG0#	ENCIF1

Table 1.18 List of pins and pin functions (320-pin FBGA) (4 of 10)

Pin number	I/O power domain	Power supply clock system control	I/O port	Bus	Timer (MTU3, POE3, GPT / POEG, CMTW, RTC)	Communication (SCI, IIC, GMAC, ETHSW, ESC, USB, CANFD, SPI, xSPI)	DSMIF	Interrupt	ADC12	Encoder I/F
F3	VCC1833_2	—	P01_5	WE0# / DQMLL	—	ETH2_TXD0	—	—	—	—
F5	VCC1833_2	—	P00_1	D27 / A13	MTIC5U	RXD2 / SCL2 / MISO2 / ETH2_RXDV	—	IRQ0	—	—
F6	—	VCC1833_2	—	—	—	—	—	—	—	—
F7	—	—	P23_5	D20 / CS2#	MTIOC8A	TXD0 / SDA0 / MOSI0	—	—	—	—
F8	—	—	P23_3	D18 / WE3# / DQM0U / AH#	MTCLKC	RXD0 / SCL0 / MISO0	—	—	—	—
F9	—	TRACECLK	P22_2	D9	MTIOC8C / GTETRGS	SPI_SSL12	—	IRQ4	—	ENCIF10
F10	—	—	P20_5	—	MTIOC1A	IIC_SCL0 / ESC_I2CCLK	MCLK 4	—	—	—
F11	—	VCC18_ADC1	—	—	—	—	—	—	—	—
F12	—	VSS	—	—	—	—	—	—	—	—
F13	—	—	—	—	—	—	—	—	AN100	—
F14	—	VCC18_ADC0	—	—	—	—	—	—	—	—
F15	—	VCC33	—	—	—	—	—	—	—	—
F16	—	VSS	—	—	—	—	—	—	—	—
F18	—	—	P18_7	—	POE4# / GTETRGD	IIC_SDA2 / USB_VBUSEN / SPI_SSL20	—	IRQ2	—	—
F19	—	—	P18_4	—	MTIC5U	TXD4 / SDA4 / MOSI4 / SPI_RSPCK2	—	IRQ1	—	ENCIF13
F20	—	—	P18_2	—	MTIOC4B / MTIOC4D / GTIOC2B / GTIOC3B	—	—	—	—	ENCIF11
G1	—	—	P02_3	A15 / WE3# / DQM0U / AH#	MTIOC2B / POE11# / GTIOC10B	SS1# / CTS1# / RTS1# / ETHSW_TDMAOUT1 / CANRX1 / SPI_SSL30	—	IRQ15	—	ENCIF4
G2	—	TRST#	—	—	—	—	—	—	—	—
G3	—	TDO	P02_4	WE0# / DQMLL	—	DE1 / SPI_SSL33	—	—	—	—
G5	VCC1833_2	—	P00_5	D31 / CS0#	MTIOC3C / GTIOC0B	ETHSW_PHYLINK2 / ESC_PHYLINK2	MDAT 0	—	—	—
G6	VCC1833_2	—	P00_4	D30 / WAIT#	MTIOC3A / GTIOC0A	ETH2_RXER	MCLK 0	IRQ13	—	—
G15	—	—	P19_7	—	MTIOC7B / GTIOC6B	—	—	—	—	—
G16	—	—	P19_5	—	MTIOC7C / GTIOC7A	—	—	—	—	—
G18	—	—	P18_3	—	MTIOC4D / MTIOC4B / GTIOC3B / GTIOC2B / CMTW1_TIC1	CANRXDP1	—	IRQ0	—	ENCIF12
G19	—	—	P18_1	—	MTIOC3D / GTIOC1B	SS3# / CTS3# / RTS3#	—	IRQ10	ADTRG1#	ENCIF10
G20	—	—	P17_7	DACK	MTIOC4A / MTIOC4C / GTIOC2A / GTIOC3A	RXD3 / SCL3 / MISO3	—	—	—	ENCIF9
H1	—	VSS	—	—	—	—	—	—	—	—
H2	—	TDI	P02_5	WE1# / DQMLU	—	SCK5 / ETHSW_TDMAOUT3 / SPI_SSL31	—	—	—	ENCIF5
H3	—	TMS	P02_6	—	—	RXD5 / SCL5 / MISO5	—	—	—	ENCIF6
H5	VCC1833_2	—	P01_4	WE1# / DQMLU	POE0#	ETH2_TXD1	—	IRQ3	—	—
H6	VCC1833_2	—	P01_1	CKE	MTIOC3D / GTIOC1B	DE2 / GMAC_MDC / ETHSW_MDC / ESC_MDC	MDAT 1	—	—	—
H8	—	VDD	—	—	—	—	—	—	—	—
H9	—	VSS	—	—	—	—	—	—	—	—
H10	—	VDD	—	—	—	—	—	—	—	—
H11	—	VDD	—	—	—	—	—	—	—	—
H12	—	VDD	—	—	—	—	—	—	—	—
H13	—	VDD	—	—	—	—	—	—	—	—

Table 1.18 List of pins and pin functions (320-pin FBGA) (5 of 10)

Pin number	I/O power domain	Power supply clock system control	I/O port	Bus	Timer (MTU3, POE3, GPT / POEG, CMTW, RTC)	Communication (SCI, IIC, GMAC, ETHSW, ESC, USB, CANFD, SPI, xSPI)	DSMIF	Interrupt	ADC12	Encoder I/F
H15	—	—	P19_3	—	MTIOC6B / GTIOC5A	—	—	—	—	—
H16	—	—	P18_0	—	MTIOC4C / MTIOC4A / GTIOC3A / GTIOC2A	TXD3 / SDA3 / MOSI3	—	—	—	—
H18	—	RSTOUT#	P17_5	TEND	MTIOC3A / GTETRGC / GTIOC0B	USB_OVRCUR	—	—	—	ENCIF7
H19	—	TRACECTL	P17_3	DREQ	POE0# / GTETRGA	SPI_SSL31	—	—	ADTRG1#	ENCIF5
H20	—	—	P17_2	—	CMTW1_TIC0	—	—	IRQ9	—	—
J1	—	BSCANP	—	—	—	—	—	—	—	—
J2	—	TCK	P02_7	—	—	TXD5 / SDA5 / MOSI5	—	—	—	ENCIF7
J3	—	—	P03_2	A13	—	CTS2# / ETHSW_TDMAOUT2 / CANRXDP0	—	NMI	—	—
J5	—	—	P02_2	A16	MTIOC2A / POE10# / GTIOC10A / RTCAT1HZ	TXD1 / SDA1 / MOSI1 / ETHSW_TDMAOUT0 / CANTX0 / SPI_MOSI3	—	IRQ14	—	ENCIF3
J6	—	TRACEDATA2	P02_0	A18	GTADSM10	RXD1 / SCL1 / MISO1 / ETHSW_LPI2 / USB_OTGID / CANTX1 / SPI_MISO3	—	IRQ4	—	ENCIF2
J8	—	VDD	—	—	—	—	—	—	—	—
J9	—	VSS	—	—	—	—	—	—	—	—
J10	—	VSS	—	—	—	—	—	—	—	—
J11	—	VSS	—	—	—	—	—	—	—	—
J12	—	VSS	—	—	—	—	—	—	—	—
J13	—	VDD	—	—	—	—	—	—	—	—
J15	—	MDD	P17_0	—	—	SS0# / CTS0# / RTS0# / ESC_IRQ	—	—	—	—
J16	—	TRACECLK	P17_4	—	MTIOC3C / GTETRGC / GTIOC0A	CTS3# / SPI_SSL32	—	—	—	ENCIF6
J18	—	—	P17_6	—	MTIOC3B / GTIOC1A	SCK3	—	—	—	ENCIF8
J19	—	—	P16_7	—	MTIC5W	SCK0	—	—	—	—
J20	—	—	P17_1	—	—	DE0	—	—	—	—
K1	—	TRACEDATA5	P03_7	A10	MTIOC3C / GTIOC5A	SCK3 / ETH2_TXER	—	IRQ9	—	—
K2	—	—	P03_5	A12	MTIOC3A / GTIOC4A	RXD2 / SCL2 / MISO2 / ETH2_CRS	MCLK 2	IRQ5	—	—
K3	—	—	P03_3	WAIT# / TEND	—	DE2 / USB_OTGID	—	IRQ11	—	ENCIF9
K5	—	—	P03_4	RDWR#	—	SS2# / CTS2# / RTS2# / SPI_SSL03	—	IRQ7	—	—
K6	—	TRACEDATA3	P03_0	A14 / CS5#	GTADSM11	SCK2 / CANTXDP1 / SPI_SSL32	—	IRQ14	—	ENCIF8
K8	—	VDD	—	—	—	—	—	—	—	—
K9	—	VSS	—	—	—	—	—	—	—	—
K10	—	VSS	—	—	—	—	—	—	—	—
K11	—	VSS	—	—	—	—	—	—	—	—
K12	—	VSS	—	—	—	—	—	—	—	—
K13	—	VDD	—	—	—	—	—	—	—	—
K15	VCC1833_3	—	P15_6	—	—	SPI_SSL12 / XSPI0_IO7	MDAT 2	—	—	—
K16	VCC1833_3	—	P16_3	—	GTADSM1	SCK0 / ETH1_TXER / SPI_SSL30 / XSPI0_RST00#	—	IRQ7	—	ENCIF4
K18	—	—	P16_6	—	MTIC5V	RXD0 / SCL0 / MISO0	—	IRQ8	—	—
K19	—	—	P16_5	—	MTIC5U	TXD0 / SDA0 / MOSI0	—	—	—	—
K20	—	VSS	—	—	—	—	—	—	—	—
L1	—	VSS	—	—	—	—	—	—	—	—

Table 1.18 List of pins and pin functions (320-pin FBGA) (6 of 10)

Pin number	I/O power domain	Power supply clock system control	I/O port	Bus	Timer (MTU3, POE3, GPT / POEG, CMTW, RTC)	Communication (SCI, IIC, GMAC, ETHSW, ESC, USB, CANFD, SPI, xSPI)	DSMIF	Interrupt	ADC12	Encoder I/F
L2	—	TRACEDATA6	P04_0	A9	MTIOC3D / GTIOC5B	RXD3 / SCL3 / MISO3	—	—	—	—
L3	—	TRACEDATA4	P03_6	A11	MTIOC3B / GTIOC4B	TXD2 / SDA2 / MOSI2 / ETH2_COL / SPI_SSL13	MDAT 2	IRQ8	—	—
L5	—	TRACEDATA7	P04_4	A8	POE10# / GTADSMPO	CTS3# / SPI_RSPCK1	—	IRQ10	—	ENCIF10
L6	—	VCC33	—	—	—	—	—	—	—	—
L8	—	VDD	—	—	—	—	—	—	—	—
L9	—	VSS	—	—	—	—	—	—	—	—
L10	—	VSS	—	—	—	—	—	—	—	—
L11	—	VSS	—	—	—	—	—	—	—	—
L12	—	VSS	—	—	—	—	—	—	—	—
L13	—	VDD	—	—	—	—	—	—	—	—
L15	—	VCC1833_3	—	—	—	—	—	—	—	—
L16	VCC1833_3	—	P15_1	A24	MTIOC0C	TXD5 / SDA5 / MOSI5 / SPI_SSL10 / XSPI0_IO2	—	—	—	—
L18	VCC1833_3	—	P16_1	—	CMTW0_TOC1	RXD0 / SCL0 / MISO0 / SPI_MISO3 / XSPI0_RESET0#	MDAT 3	—	ADTRG0#	ENCIF2
L19	VCC1833_3	—	P16_2	—	—	CTS0# / USB_EXICEN / SPI_RSPCK3 / XSPI0_RESET1#	—	NMI	—	ENCIF3
L20	VCC1833_3	—	P16_4	—	—	—	—	—	—	—
M1	—	—	P04_1	CKIO	—	TXD3 / SDA3 / MOSI3 / IIC_SDA2 / SPI_MOSI0	—	—	—	—
M2	—	—	P04_2	CS0#	—	—	—	—	—	—
M3	—	—	P04_3	RD#	—	SS3# / CTS3# / RTS3# / IIC_SCL2 / USB_OVRCUR / SPI_RSPCK0	—	—	—	—
M5	—	MD1	P04_6	A6 / DACK	RTCAT1HZ	ETH1_TXER	—	—	—	—
M6	—	—	P05_0	A4	MTIOC4A / GTIOC6A / CMTW0_TOC0	SS5# / CTS5# / RTS5# / ETH1_CRS / USB_VBUSEN / CANTXDP0	MCLK 3	IRQ12	—	ENCIF11
M8	—	VDD	—	—	—	—	—	—	—	—
M9	—	VSS	—	—	—	—	—	—	—	—
M10	—	VSS	—	—	—	—	—	—	—	—
M11	—	VSS	—	—	—	—	—	—	—	—
M12	—	VSS	—	—	—	—	—	—	—	—
M13	—	VDD	—	—	—	—	—	—	—	—
M15	VCC1833_3	—	P15_0	A23	—	RXD5 / SCL5 / MISO5 / SPI_MOSI1 / XSPI0_IO1	—	—	—	—
M16	VCC1833_3	—	P14_2	—	MTIOC8B / GTIOC8B	ETH0_CRS / XSPI0_ECS0#	—	IRQ6	—	ENCIF12
M18	VCC1833_3	—	P15_3	—	MTIOC8C	XSPI0_IO4	MCLK 1	—	—	—
M19	VCC1833_3	—	P15_7	TEND	—	CTS5# / SPI_SSL13 / XSPI0_CS0#	—	—	—	ENCIF1
M20	VCC1833_3	—	P16_0	—	—	TXD0 / SDA0 / MOSI0 / ETH0_TXER / SPI_MOSI3 / XSPI0_CS1#	MCLK 3	—	—	ENCIF0
N1	—	MD0	P04_5	A7	—	DE3	—	—	—	—
N2	—	MD2	P04_7	A5	—	ETH0_TXER / SPI_SSL21	—	—	—	—
N3	—	—	P05_1	A3	MTIOC4B / GTIOC6B / CMTW0_TIC1	CTS5# / ETH1_COL / USB_EXICEN / CANRXDP0	MDAT 3	IRQ13	—	ENCIF12
N5	VCC1833_1	—	P05_4	A0 / DACK	GTIOC14A	RXD4 / SCL4 / MISO4 / ETHSW_LPI0 / USB_OVRCUR / CANTXDP0 / SPI_SSL00	—	IRQ12	—	ENCIF15
N6	—	VCC1833_1	—	—	—	—	—	—	—	—

Table 1.18 List of pins and pin functions (320-pin FBGA) (7 of 10)

Pin number	I/O power domain	Power supply clock system control	I/O port	Bus	Timer (MTU3, POE3, GPT / POEG, CMTW, RTC)	Communication (SCI, IIC, GMAC, ETHSW, ESC, USB, CANFD, SPI, xSPI)	DSMIF	Interrupt	ADC12	Encoder I/F
N8	—	VDD	—	—	—	—	—	—	—	—
N9	—	VDD	—	—	—	—	—	—	—	—
N10	—	VDD	—	—	—	—	—	—	—	—
N11	—	VDD	—	—	—	—	—	—	—	—
N12	—	VSS	—	—	—	—	—	—	—	—
N13	—	VDD	—	—	—	—	—	—	—	—
N15	VCC1833_3	—	P13_7	—	MTCLKC	GMAC_PTPTRG1 / ESC_LATCH1 / ESC_LATCH0 / XSPI0_ECS1#	—	—	—	—
N16	VCC1833_3	—	P13_5	—	MTCLKA	GMAC_PTPTRG0 / ESC_LATCH0 / ESC_LATCH1 / SPI_RSPCK1 / XSPI0_WP1#	—	—	—	—
N18	VCC1833_3	—	P14_5	CS3#	POE8#	XSPI0_CKN	—	—	—	—
N19	VCC1833_3	—	P15_4	—	MTIOC8D	XSPI0_IO5	MDAT 1	—	—	—
N20	VCC1833_3	—	P15_5	—	—	XSPI0_IO6	MCLK 2	—	—	—
P1	—	VSS	—	—	—	—	—	—	—	—
P2	—	—	P05_3	A1	MTIOC4D / POE11# / GTETRGSB / GTIOC7B / CMTW0_TIC0	SCK4 / IIC_SDA1 / ETH0_COL / USB_EXICEN / CANTX0	—	IRQ15	—	ENCIF14
P3	—	—	P05_2	A2 / DREQ	MTIOC4C / GTETRGSB / GTIOC7A / CMTW0_TOC0	DE5 / IIC_SCL1 / ETH0_CRS / USB_VBUSEN / CANRX0	—	IRQ14	—	ENCIF13
P5	VCC1833_1	—	P06_3	D23	GTIOC17B / CMTW1_TIC1	DE4 / ETH1_TXD0 / CANTXDP1 / SPI_MISO1	—	—	—	—
P6	VCC1833_1	—	P05_7	D18	GTIOC15B / CMTW1_TOC1	TXD4 / SDA4 / MOSI4 / ETH1_TXD2 / SPI_SSL23	—	—	—	—
P15	VCC1833_4	TRACEDATA3	P12_7	D12	MTCLKB / MTCLKC	SCK1 / SPI_SSL01 / XSPI1_IO1	MDAT 5	IRQ4	—	ENCIF2
P16	VCC1833_4	TRACEDATA6	P13_2	D9	MTIOC0A / POE8# / GTIOC10A	SS1# / CTS1# / RTS1# / IIC_SCL0 / ETHSW_PTPOUT2 / ESC_I2CCLK / SPI_MISO0 / XSPI1_CS1#	MCLK 4	IRQ5	—	ENCIF8
P18	VCC1833_3	—	P14_6	A21	—	XSPI0_CKP	—	—	—	—
P19	VCC1833_3	—	P14_7	A22	—	SCK5 / SPI_MISO1 / XSPI0_IO0	—	—	—	—
P20	VCC1833_3	—	P15_2	A25	MTIOC0D	SS5# / CTS5# / RTS5# / SPI_SSL11 / XSPI0_IO3	—	—	—	—
R1	VCC1833_1	—	P05_5	D16	GTIOC14B / CMTW0_TOC1	ETHSW_PHYLINK1 / ESC_PHYLINK1 / SPI_RSPCK2	—	—	—	—
R2	VCC1833_1	—	P05_6	D17	GTIOC15A / CMTW1_TIC0	ETH1_RXER / SPI_SSL22	—	IRQ12	—	—
R3	VCC1833_1	—	P06_1	D22	GTIOC16B	CTS4# / ETH1_REFCLK / RMIH1_REFCLK / CANTX1 / SPI_SSL22	—	—	—	—
R5	VCC1833_1	—	P07_1	D28	GTIOC13B	ETH1_RXD3	—	—	—	—
R6	—	—	P07_6	A22 / D23	—	SPI_SSL21	—	—	—	—
R7	—	VCC33	—	—	—	—	—	—	—	—
R8	VCC1833_0	—	P09_4	—	—	ETH0_TXD2	—	—	—	—
R9	VCC1833_0	—	P09_7	—	—	ETH0_TXCLK	—	—	—	—
R10	—	VCC1833_0	—	—	—	—	—	—	—	—
R11	VCC1833_0	—	P10_4	WE2# / DQMUL	—	ETHSW_PHYLINK0 / ESC_PHYLINK0	—	IRQ11	—	—
R12	VCC1833_4	—	P11_2	—	MTIOC1B / GTIOC11B	ETH1_TXER / XSPI1_WP0#	—	—	—	—

Table 1.18 List of pins and pin functions (320-pin FBGA) (8 of 10)

Pin number	I/O power domain	Power supply clock system control	I/O port	Bus	Timer (MTU3, POE3, GPT / POEG, CMTW, RTC)	Communication (SCI, IIC, GMAC, ETHSW, ESC, USB, CANFD, SPI, xSPI)	DSMIF	Interrupt	ADC12	Encoder I/F
R13	VCC1833_4	—	P11_6	—	MTIOC8C	ETH0_COL / XSPI1_RESET1#	—	—	—	ENCIF1
R14	—	VCC1833_4	—	—	—	—	—	—	—	—
R15	VCC1833_4	TRACEDATA1	P12_5	D14 / DACK	MTIOC8A / GTIOC8A	SPI_SSL03 / XSPI1_IO3	—	—	—	ENCIF0
R16	VCC1833_4	—	P12_3	—	GTADSMP0	XSPI1_IO4	—	—	—	ENCIF6
R18	VCC1833_3	—	P13_6	—	MTCLKB	ETHSW_PTPOUT0 / ESC_SYNC0 / ESC_SYNC1 / XSPI0_WP0#	—	—	—	—
R19	VCC1833_3	—	P14_4	BS	MTIOC0B	ESC_IRQ / XSPI0_DS	—	—	—	—
R20	—	VSS	—	—	—	—	—	—	—	—
T1	VCC1833_1	—	P06_0	D19	GTIOC16A / CMTW1_TOC0	SS4# / CTS4# / RTS4# / ETH1_TXD3 / CANRX1 / SPI_SSL23	—	—	—	—
T2	VCC1833_1	—	P06_2	D20	GTIOC17A	ETH1_TXD1 / CANRXDP1	—	—	—	—
T3	VCC1833_1	—	P06_5	D25	GTIOC11B	ETH1_TXEN	—	—	—	—
T5	—	RES#	—	—	—	—	—	—	—	—
T6	—	—	P08_3	D28	—	ETHSW_PTPOUT0 / ESC_SYNC0 / ESC_SYNC1	—	—	—	—
T7	VCC1833_0	—	P09_0	D30	MTIOC7A	GMAC_MDIO / ETHSW_MDIO / ESC_MDIO	—	—	—	—
T8	VCC1833_0	—	P09_1	—	MTIOC7B	ETH0_REFCLK / RMII0_REFCLK	—	—	—	—
T9	VCC1833_0	—	P09_5	—	—	ETH0_TXD1	—	—	—	—
T10	—	VSS	—	—	—	—	—	—	—	—
T11	—	VSS	—	—	—	—	—	—	—	—
T12	VCC1833_4	—	P10_6	—	—	ETH2_COL / XSPI1_INT1#	—	—	—	—
T13	VCC1833_4	—	P10_5	—	—	ETH2_CRS	—	IRQ2	—	—
T14	VCC1833_4	—	P10_7	—	—	ETH2_TXER / XSPI1_INT0#	—	—	—	—
T15	VCC1833_4	—	P11_3	—	MTIOC2A / GTIOC12A	ETH0_TXER / XSPI1_ECS0#	—	—	—	—
T16	VCC1833_4	—	P12_1	—	GTADSM10	XSPI1_IO6	—	—	—	ENCIF4
T18	VCC1833_4	TRACEDATA5	P13_1	D10	MTCLKD / GTIOC9B	TXD1 / SDA1 / MOSI1 / SPI_MOSI0 / XSPI1_CS0#	MDAT 0	—	—	ENCIF4
T19	VCC1833_3	—	P14_0	—	MTCLKD	ETHSW_PTPOUT1 / ESC_SYNC1 / ESC_SYNC0 / XSPI0_INT0#	—	—	—	—
T20	VCC1833_3	—	P14_3	—	MTIOC0A	ETH0_COL / XSPI0_RST01#	—	—	—	ENCIF13
U1	VCC1833_1	—	P06_4	D24	GTIOC11A	ETH1_TXCLK / SPI_MOSI1	—	—	—	—
U2	VCC1833_1	—	P06_6	D21	GTIOC12A	ETH1_RXD0 / SPI_SSL10	—	—	—	—
U3	VCC1833_1	—	P07_3	D30	—	ETH1_RXCLK	—	—	—	—
U18	VCC1833_4	TRACEDATA0	P12_4	D15	MTIOC8B / GTIOC8B	ETH1_CRS / SPI_SSL01 / XSPI1_RESET0#	—	—	—	ENCIF7
U19	VCC1833_4	TRACEDATA7	P13_3	D8	MTIOC0C / MTIOC0B / GTIOC10B / CMTW1_TOC0	CTS1# / IIC_SDA0 / ETHSW_PTPOUT3 / ESC_I2CDATA / SPI_RSPCK0 / XSPI1_CKP	MDAT 4	—	—	ENCIF9
U20	VCC1833_3	—	P14_1	—	MTIOC8A / GTIOC8A	ETH1_COL / XSPI0_INT1#	—	—	—	ENCIF11
V1	VCC1833_1	—	P06_7	D26	GTIOC12B	ETH1_RXD1 / SPI_SSL11	—	—	—	—
V2	VCC1833_1	—	P07_0	D27	GTIOC13A	ETH1_RXD2	—	—	—	—
V3	—	MDX	—	—	—	—	—	—	—	—
V4	—	—	P07_5	A21 / D22	—	—	—	—	—	—
V5	—	—	P08_0	A24 / D25	—	ETHSW_LPI0	—	—	—	—
V6	—	—	P08_2	D27	—	GMAC_PTPTRG0 / ESC_LATCH0 / ESC_LATCH1	—	—	—	—
V7	VCC1833_0	—	P08_6	—	MTIOC6C	ETH0_RXCLK	—	—	—	—
V8	VCC1833_0	—	P10_2	—	—	ETH0_RXD1	—	—	—	—

Table 1.18 List of pins and pin functions (320-pin FBGA) (9 of 10)

Pin number	I/O power domain	Power supply clock system control	I/O port	Bus	Timer (MTU3, POE3, GPT / POEG, CMTW, RTC)	Communication (SCI, IIC, GMAC, ETHSW, ESC, USB, CANFD, SPI, xSPI)	DSMIF	Interrupt	ADC12	Encoder I/F
V9	VCC1833_0	—	P10_3	—	RTCAT1HZ	ETH0_RXD2	—	—	—	—
V10	—	VCC18_PLL0	—	—	—	—	—	—	—	—
V11	—	VCC18_PLL1	—	—	—	—	—	—	—	—
V12	—	VCC18_USB	—	—	—	—	—	—	—	—
V13	—	AVCC18_USB	—	—	—	—	—	—	—	—
V14	—	AVCC18_USB	—	—	—	—	—	—	—	—
V15	—	VSS_USB	—	—	—	—	—	—	—	—
V16	VCC1833_4	—	P11_1	—	MTIOC1A / GTIOC11A	ETH1_COL / XSPI1_WP1#	—	—	—	—
V17	VCC1833_4	—	P11_4	—	MTIOC2B / GTIOC12B	ETH0_CRS / XSPI1_RST01#	—	—	—	—
V18	VCC1833_4	—	P12_0	—	GTADSM1	XSPI1_IO7	—	—	—	ENCIF3
V19	VCC1833_4	TRACEDATA2	P12_6	D13	MTCLKA	DE1 / SPI_SSL02 / XSPI1_IO2	MCLK 5	IRQ3	—	ENCIF1
V20	VCC1833_4	—	P13_4	—	MTIOC0D / GTIOC8B	ESC_RESETOUT# / XSPI1_CKN	—	—	—	ENCIF10
W1	VCC1833_1	—	P07_2	D29	—	ETH1_RXDV	—	—	—	—
W2	—	—	P07_4	—	—	USB_VBUSIN	—	IRQ1	ADTRG0#	—
W3	—	—	P07_7	A23 / D24	—	ETHSW_LPI1	—	—	—	—
W4	VCC1833_0	—	P08_4	D31	MTIOC6A	ETH0_RXD3	—	—	—	—
W5	VCC1833_0	—	P08_7	D29	MTIOC6D	GMAC_MDC / ETHSW_MDC / ESC_MDC	—	—	—	—
W6	VCC1833_0	—	P09_3	—	MTIOC7D	ETH0_TXD3	—	—	—	—
W7	VCC1833_0	—	P10_0	—	—	ETH0_TXEN	—	—	—	—
W8	—	VSS	—	—	—	—	—	—	—	—
W9	—	VSS	—	—	—	—	—	—	—	—
W10	—	VDD	—	—	—	—	—	—	—	—
W11	—	VSS	—	—	—	—	—	—	—	—
W12	—	VCC33_USB	—	—	—	—	—	—	—	—
W13	—	VSS_USB	—	—	—	—	—	—	—	—
W14	—	VSS_USB	—	—	—	—	—	—	—	—
W15	—	VSS_USB	—	—	—	—	—	—	—	—
W16	—	VSS_USB	—	—	—	—	—	—	—	—
W17	—	VSS_USB	—	—	—	—	—	—	—	—
W18	VCC1833_4	—	P11_5	—	MTIOC0B	XSPI1_RST00#	—	—	—	ENCIF0
W19	VCC1833_4	—	P12_2	—	GTADSM1	XSPI1_IO5	—	—	—	ENCIF5
W20	VCC1833_4	TRACEDATA4	P13_0	D11	MTCLKC / MTCLKB / GTIOC9A	RXD1 / SCL1 / MISO1 / SPI_SSL00 / XSPI1_IO0	MCLK 0	—	—	ENCIF3
Y1	—	VSS	—	—	—	—	—	—	—	—
Y2	—	—	P08_1	A25 / D26	—	ETHSW_LPI2 / USB_VBUSIN	—	—	—	—
Y3	VCC1833_0	—	P08_5	—	MTIOC6B	ETH0_RXDV	—	—	—	—
Y4	—	VSS	—	—	—	—	—	—	—	—
Y5	VCC1833_0	—	P09_2	D31	MTIOC7C	ETH0_RXER	—	IRQ0	—	—
Y6	VCC1833_0	—	P09_6	—	—	ETH0_TXD0	—	—	—	—
Y7	VCC1833_0	—	P10_1	—	—	ETH0_RXD0	—	—	—	—
Y8	—	VSS	—	—	—	—	—	—	—	—
Y9	—	EXTCLKIN	—	—	—	—	—	—	—	—
Y10	—	XTAL	—	—	—	—	—	—	—	—
Y11	—	XTAL	—	—	—	—	—	—	—	—
Y12	—	VSS_USB	—	—	—	—	—	—	—	—
Y13	—	USB_DM	—	—	—	—	—	—	—	—

Table 1.18 List of pins and pin functions (320-pin FBGA) (10 of 10)

Pin number	I/O power domain	Power supply clock system control	I/O port	Bus	Timer (MTU3, POE3, GPT / POEG, CMTW, RTC)	Communication (SCI, IIC, GMAC, ETHSW, ESC, USB, CANFD, SPI, xSPI)	DSMIF	Interrupt	ADC12	Encoder I/F
Y14	—	USB_DP	—	—	—	—	—	—	—	—
Y15	—	VSS_USB	—	—	—	—	—	—	—	—
Y16	—	USB_RREF	—	—	—	—	—	—	—	—
Y17	—	VSS_USB	—	—	—	—	—	—	—	—
Y18	VCC1833_4	—	P11_0	—	—	ETH1_CRS / XSPI1_ECS1#	—	—	—	—
Y19	VCC1833_4	—	P11_7	—	MTIOC8D	USB_OVRCUR / XSPI1_DS	—	—	—	ENCIF2
Y20	—	VSS	—	—	—	—	—	—	—	—

1.7 FBGA 225 Pin Assignments

	1	2	3	4	5	6	7	8	9	10	11	12	13	14	15	
A	VSS	P01_0	P00_2	P00_4	P24_0	P22_1	P22_0	P21_3	P20_4	VSS	AN106	AN104	AN103	AN101	VSS	A
B	P01_5	P01_2	P00_3	P00_5	P24_1	P22_3	P21_7	P21_1	P20_1	AN105	AN102	AN100	AN000	AN002	P19_0	B
C	P01_7	P01_3	P00_6	P00_0	P24_2	P22_2	P21_5	P21_2	AN107	VREFH1	VREFH0	AN001	AN003	AVCC18_TSU	P18_6	C
D	P02_1	P01_6	P01_1	P00_7	P00_1	P23_7	P21_6	P20_2	P20_3	VSS	VSS	VSS	P18_5	P18_2	P18_1	D
E	P02_3	TRST#	P02_0	P01_4	VCC1833_2	VCC33	P21_4	VCC33	VCC18_ADC1	VSS	VCC18_ADC0	P18_4	P18_3	P18_0	P17_7	E
F	P02_7	P02_5	P02_2	P02_4	P02_6	VDD	VSS	VDD	VDD	VDD	VCC33	P17_0	P17_4	P17_3	P17_5	F
G	P03_5	BSCANP	P03_0	P03_6	P03_7	VDD	VSS	VSS	VSS	VDD	P16_6	P16_3	P16_0	P16_7	P17_6	G
H	P04_0	P04_1	P04_5	P04_4	P04_6	VDD	VSS	VSS	VSS	VDD	P16_1	P15_6	P15_4	P16_2	P16_5	H
J	P04_7	P05_1	P05_3	P05_2	P05_0	VDD	VSS	VSS	VSS	VDD	VCC1833_3	P14_5	P14_4	P15_5	P15_7	J
K	P05_4	P05_5	P05_6	P06_3	VCC1833_1	VDD	VDD	VDD	VSS	VDD	P15_3	P14_2	P14_6	P15_1	P15_2	K
L	VSS	P06_0	P06_1	P06_6	VCC33	VCC1833_0	P09_7	P10_2	P10_3	P13_2	P15_0	P13_4	P14_0	P14_1	VSS	L
M	P05_7	P06_2	P06_7	P07_3	P08_6	P09_4	P09_6	P10_1	P10_4	VCC1833_4	P13_7	P13_5	P13_6	P14_3	P14_7	M
N	P06_4	P06_5	P07_1	P08_4	P08_7	P09_2	P09_5	P10_0	VCC18_PLL1	VSS	P12_4	P13_3	VSS_USB	VSS	VSS_USB	N
P	P07_0	P07_2	P08_5	P09_0	MDX	RES#	VDD	VSS	VCC18_PLL0	AVCC18_USB	VCC18_USB	VSS_USB	USB_DM	VSS_USB	USB_RREF	P
R	VSS	P07_4	P09_1	P09_3	VSS	EXT_CLKIN	EXTAL	XTAL	VSS	AVCC18_USB	VCC33_USB	VSS_USB	USB_DP	VSS_USB	VSS	R
	1	2	3	4	5	6	7	8	9	10	11	12	13	14	15	

Figure 1.3 Pin arrangement (225-pin FBGA) (top view)

Table 1.19 List of pins and pin functions (225-pin FBGA) (1 of 7)

Pin number	I/O power domain	Power supply clock system control	I/O port	Bus	Timer (MTU3, POE3, GPT / POEG, CMTW, RTC)	Communication (SCI, IIC, GMAC, ETHSW, ESC, USB, CANFD, SPI, xSPI)	DSMIF	Interrupt	ADC12	Encoder I/F
A1	—	VSS	—	—	—	—	—	—	—	—
A2	VCC1833_2	—	P01_0	CAS#	MTIOC4C / GTIOC3A	CTS2# / GMAC_MDIO / ETHSW_MDIO / ESC_MDIO	MCLK 1	—	—	—
A3	VCC1833_2	—	P00_2	D28 / RD#	MTIC5V	TXD2 / SDA2 / MOSI2 / ETH2_TXEN / USB_OVRCUR	—	—	—	—
A4	VCC1833_2	—	P00_4	D30 / WAIT#	MTIOC3A / GTIOC0A	ETH2_RXER	MCLK 0	IRQ13	—	—
A5	VCC1833_2	—	P24_0	D23 / D12 / CKE / DREQ	MTIOC0B / GTETRGB	RXD1 / SCL1 / MISO1 / ETH2_RXD1	MDAT 4	—	—	ENCIF13
A6	—	TRACECTL	P22_1	D8	POE4#	SS4# / CTS4# / RTS4# / ESC_LINKACT2	—	—	—	—
A7	—	TRACEDATA7	P22_0	D7	MTIOC7D / GTIOC17B	DE5	MDAT 3	IRQ15	—	—
A8	—	TRACEDATA2	P21_3	D2	MTIOC6C / GTIOC15A	TXD5 / SDA5 / MOSI5 / SPI_SSL33	MCLK 1	—	—	ENCIF7
A9	—	MDV3	P20_4	—	—	ETHSW_TDMAOUT3 / ESC_LINKACT1	—	—	—	—
A10	—	VSS	—	—	—	—	—	—	—	—
A11	—	—	—	—	—	—	—	—	AN106	—
A12	—	—	—	—	—	—	—	—	AN104	—
A13	—	—	—	—	—	—	—	—	AN103	—
A14	—	—	—	—	—	—	—	—	AN101	—
A15	—	VSS	—	—	—	—	—	—	—	—
B1	VCC1833_2	—	P01_5	WE0# / DQMLL	—	ETH2_TXD0	—	—	—	—

Table 1.19 List of pins and pin functions (225-pin FBGA) (2 of 7)

Pin number	I/O power domain	Power supply clock system control	I/O port	Bus	Timer (MTU3, POE3, GPT / POEG, CMTW, RTC)	Communication (SCI, IIC, GMAC, ETHSW, ESC, USB, CANFD, SPI, xSPI)	DSMIF	Interrupt	ADC12	Encoder I/F
B2	VCC1833_2	—	P01_2	CS2#	MTIOC4B / GTIOC2B	ETH2_TXD3	—	IRQ2	—	—
B3	VCC1833_2	—	P00_3	D29 / RD/WR#	MTIC5W	SS2# / CTS2# / RTS2# / ETH2_REFCLK / RMII2_REFCLK	—	IRQ1	—	—
B4	VCC1833_2	—	P00_5	D31 / CS0#	MTIOC3C / GTIOC0B	ETHSW_PHYLINK2 / ESC_PHYLINK2	MDAT 0	—	—	—
B5	VCC1833_2	—	P24_1	D24 / D13 / CAS#	MTIOC0C / POE8# / GTETRGC	ETH2_RXCLK	MCLK 5	—	—	ENCIF14
B6	—	—	P22_3	D10	MTIOC8D / GTETRGSB	—	—	—	—	ENCIF11
B7	—	TRACEDATA6	P21_7	D6 / DREQ	MTIOC7C / GTIOC17A	DE0	MCLK 3	IRQ10	—	—
B8	—	TRACEDATA0	P21_1	D0	MTIOC6A / GTIOC14A / CMTW0_TIC0	SCK5 / IIC_SCL1 / SPI_SSL20	MCLK 0	—	—	ENCIF5
B9	—	MDV0	P20_1	—	—	ETHSW_TDMAOUT0 / ESC_LINKACT0	—	—	—	—
B10	—	—	—	—	—	—	—	—	AN105	—
B11	—	—	—	—	—	—	—	—	AN102	—
B12	—	—	—	—	—	—	—	—	AN100	—
B13	—	—	—	—	—	—	—	—	AN000	—
B14	—	—	—	—	—	—	—	—	AN002	—
B15	—	MDV4	P19_0	—	—	USB_VBUSEN	—	—	—	—
C1	—	TRACEDATA1	P01_7	A19	MTIOC1B / GTIOC9B	SCK1 / ETHSW_LPI1 / CANRX0 / SPI_RSPCK3	—	—	ADTRG0#	ENCIF1
C2	VCC1833_2	—	P01_3	WE3# / DQM00 / AH#	MTIOC4D / GTIOC3B	ETH2_TXD2	—	—	—	—
C3	VCC1833_2	—	P00_6	CS5#	MTIOC3B / GTIOC1A	ETH2_TXCLK	—	—	—	—
C4	VCC1833_2	—	P00_0	D26 / D15	—	SCK2 / ETH2_RXD3	—	—	—	—
C5	VCC1833_2	—	P24_2	D25 / D14 / RAS#	MTIOC0D / GTETRGD	TXD1 / SDA1 / MOSI1 / ETH2_RXD2	MDAT 5	—	—	ENCIF15
C6	—	TRACECLK	P22_2	D9	MTIOC8C / GTETRGSB	SPI_SSL12	—	IRQ4	—	ENCIF10
C7	—	TRACEDATA4	P21_5	D4	MTIOC7A / GTIOC16A / CMTW1_TOC1	CTS5# / SPI_MISO0	MCLK 2	IRQ6	ADTRG1#	ENCIF9
C8	—	TRACEDATA1	P21_2	D1	MTIOC6B / GTIOC14B / CMTW0_TIC1	RXD5 / SCL5 / MISO5 / IIC_SDA1 / SPI_MISO2	MDAT 0	—	—	ENCIF6
C9	—	—	—	—	—	—	—	—	AN107	—
C10	—	VREFH1	—	—	—	—	—	—	—	—
C11	—	VREFH0	—	—	—	—	—	—	—	—
C12	—	—	—	—	—	—	—	—	AN001	—
C13	—	—	—	—	—	—	—	—	AN003	—
C14	—	AVCC18_TSU	—	—	—	—	—	—	—	—
C15	—	TRACECLK	P18_6	—	MTIC5W	SCK4 / IIC_SCL2 / SPI_MISO2	—	IRQ11	ADTRG0#	ENCIF15
D1	—	MDW	P02_1	A17	—	ETHSW_PTPOUT1 / ESC_SYNC1 / ESC_SYNC0	—	—	—	—
D2	—	TRACEDATA0	P01_6	A20	MTIOC1A / GTIOC9A	CTS1# / GMAC_PTPTRG1 / ESC_LATCH1 / ESC_LATCH0 / CANTXDP1	—	—	—	ENCIF0
D3	VCC1833_2	—	P01_1	CKE	MTIOC3D / GTIOC1B	DE2 / GMAC_MDC / ETHSW_MDC / ESC_MDC	MDAT 1	—	—	—
D4	VCC1833_2	—	P00_7	RAS#	MTIOC4A / GTIOC2A	—	—	IRQ13	—	—
D5	VCC1833_2	—	P00_1	D27 / A13	MTIC5U	RXD2 / SCL2 / MISO2 / ETH2_RXDV	—	IRQ0	—	—
D6	VCC1833_2	—	P23_7	D22 / D11 / BS	MTIOC0A / GTETRGA	SCK1 / ETH2_RXD0	MCLK 4	—	—	ENCIF12

Table 1.19 List of pins and pin functions (225-pin FBGA) (3 of 7)

Pin number	I/O power domain	Power supply clock system control	I/O port	Bus	Timer (MTU3, POE3, GPT / POEG, CMTW, RTC)	Communication (SCI, IIC, GMAC, ETHSW, ESC, USB, CANFD, SPI, xSPI)	DSMIF	Interrupt	ADC12	Encoder I/F
D7	—	TRACEDATA5	P21_6	D5 / TEND	MTIOC7B / GTIOC16B	CTS0#	MDAT 2	IRQ9	—	—
D8	—	MDV1	P20_2	—	—	DE3 / ETHSW_TDMAOUT1 / ESC_LEDRUN / ESC_LEDSTER	—	—	—	—
D9	—	MDV2	P20_3	—	—	ETHSW_TDMAOUT2 / ESC_LEDERR	—	—	—	—
D10	—	VSS	—	—	—	—	—	—	—	—
D11	—	VSS	—	—	—	—	—	—	—	—
D12	—	VSS	—	—	—	—	—	—	—	—
D13	—	TRACECTL	P18_5	—	MTIC5V	RXD4 / SCL4 / MISO4 / SPI_MOSI2	—	—	—	ENCIF14
D14	—	—	P18_2	—	MTIOC4B / MTIOC4D / GTIOC2B / GTIOC3B	—	—	—	—	ENCIF11
D15	—	—	P18_1	—	MTIOC3D / GTIOC1B	SS3# / CTS3# / RTS3#	—	IRQ10	ADTRG1#	ENCIF10
E1	—	—	P02_3	A15 / WE3# / DQMUU / AH#	MTIOC2B / POE11# / GTIOC10B	SS1# / CTS1# / RTS1# / ETHSW_TDMAOUT1 / CANRX1 / SPI_SSL30	—	IRQ15	—	ENCIF4
E2	—	TRST#	—	—	—	—	—	—	—	—
E3	—	TRACEDATA2	P02_0	A18	GTADSMLO	RXD1 / SCL1 / MISO1 / ETHSW_LPI2 / USB_OTGID / CANTX1 / SPI_MISO3	—	IRQ4	—	ENCIF2
E4	VCC1833_2	—	P01_4	WE1# / DQMLU	POE0#	ETH2_TXD1	—	IRQ3	—	—
E5	—	VCC1833_2	—	—	—	—	—	—	—	—
E6	—	VCC33	—	—	—	—	—	—	—	—
E7	—	TRACEDATA3	P21_4	D3	MTIOC6D / GTIOC15B	SS5# / CTS5# / RTS5# / SPI_SSL02	MDAT 1	—	—	ENCIF8
E8	—	VCC33	—	—	—	—	—	—	—	—
E9	—	VCC18_ADC1	—	—	—	—	—	—	—	—
E10	—	VSS	—	—	—	—	—	—	—	—
E11	—	VCC18_ADC0	—	—	—	—	—	—	—	—
E12	—	—	P18_4	—	MTIC5U	TXD4 / SDA4 / MOSI4 / SPI_RSPCK2	—	IRQ1	—	ENCIF13
E13	—	—	P18_3	—	MTIOC4D / MTIOC4B / GTIOC3B / GTIOC2B / CMTW1_TIC1	CANRXDP1	—	IRQ0	—	ENCIF12
E14	—	—	P18_0	—	MTIOC4C / MTIOC4A / GTIOC3A / GTIOC2A	TXD3 / SDA3 / MOSI3	—	—	—	—
E15	—	—	P17_7	DACK	MTIOC4A / MTIOC4C / GTIOC2A / GTIOC3A	RXD3 / SCL3 / MISO3	—	—	—	ENCIF9
F1	—	TCK	P02_7	—	—	TXD5 / SDA5 / MOSI5	—	—	—	ENCIF7
F2	—	TDI	P02_5	WE1# / DQMLU	—	SCK5 / ETHSW_TDMAOUT3 / SPI_SSL31	—	—	—	ENCIF5
F3	—	—	P02_2	A16	MTIOC2A / POE10# / GTIOC10A / RTCAT1HZ	TXD1 / SDA1 / MOSI1 / ETHSW_TDMAOUT0 / CANTX0 / SPI_MOSI3	—	IRQ14	—	ENCIF3
F4	—	TDO	P02_4	WE0# / DQMLL	—	DE1 / SPI_SSL33	—	—	—	—
F5	—	TMS	P02_6	—	—	RXD5 / SCL5 / MISO5	—	—	—	ENCIF6
F6	—	VDD	—	—	—	—	—	—	—	—
F7	—	VSS	—	—	—	—	—	—	—	—
F8	—	VDD	—	—	—	—	—	—	—	—
F9	—	VDD	—	—	—	—	—	—	—	—
F10	—	VDD	—	—	—	—	—	—	—	—

Table 1.19 List of pins and pin functions (225-pin FBGA) (4 of 7)

Pin number	I/O power domain	Power supply clock system control	I/O port	Bus	Timer (MTU3, POE3, GPT / POEG, CMTW, RTC)	Communication (SCI, IIC, GMAC, ETHSW, ESC, USB, CANFD, SPI, xSPI)	DSMIF	Interrupt	ADC12	Encoder I/F
F11	—	VCC33	—	—	—	—	—	—	—	—
F12	—	MDD	P17_0	—	—	SS0# / CTS0# / RTS0# / ESC_IRQ	—	—	—	—
F13	—	TRACECLK	P17_4	—	MTIOC3C / GTETRGB / GTIOC0A	CTS3# / SPI_SSL32	—	—	—	ENCIF6
F14	—	TRACECTL	P17_3	DREQ	POE0# / GTETRGA	SPI_SSL31	—	—	ADTRG1#	ENCIF5
F15	—	RSTOUT#	P17_5	TEND	MTIOC3A / GTETRGC / GTIOC0B	USB_OVRCUR	—	—	—	ENCIF7
G1	—	—	P03_5	A12	MTIOC3A / GTIOC4A	RXD2 / SCL2 / MISO2 / ETH2_CRS	MCLK 2	IRQ5	—	—
G2	—	BSCANP	—	—	—	—	—	—	—	—
G3	—	TRACEDATA3	P03_0	A14 / CS5#	GTADSM1	SCK2 / CANTXDP1 / SPI_SSL32	—	IRQ14	—	ENCIF8
G4	—	TRACEDATA4	P03_6	A11	MTIOC3B / GTIOC4B	TXD2 / SDA2 / MOSI2 / ETH2_COL / SPI_SSL13	MDAT 2	IRQ8	—	—
G5	—	TRACEDATA5	P03_7	A10	MTIOC3C / GTIOC5A	SCK3 / ETH2_TXER	—	IRQ9	—	—
G6	—	VDD	—	—	—	—	—	—	—	—
G7	—	VSS	—	—	—	—	—	—	—	—
G8	—	VSS	—	—	—	—	—	—	—	—
G9	—	VSS	—	—	—	—	—	—	—	—
G10	—	VDD	—	—	—	—	—	—	—	—
G11	—	—	P16_6	—	MTIC5V	RXD0 / SCL0 / MISO0	—	IRQ8	—	—
G12	VCC1833_3	—	P16_3	—	GTADSM1	SCK0 / ETH1_TXER / SPI_SSL30 / XSPI0_RST00#	—	IRQ7	—	ENCIF4
G13	VCC1833_3	—	P16_0	—	—	TXD0 / SDA0 / MOSI0 / ETH0_TXER / SPI_MOSI3 / XSPI0_CS1#	MCLK 3	—	—	ENCIF0
G14	—	—	P16_7	—	MTIC5W	SCK0	—	—	—	—
G15	—	—	P17_6	—	MTIOC3B / GTIOC1A	SCK3	—	—	—	ENCIF8
H1	—	TRACEDATA6	P04_0	A9	MTIOC3D / GTIOC5B	RXD3 / SCL3 / MISO3	—	—	—	—
H2	—	—	P04_1	CKIO	—	TXD3 / SDA3 / MOSI3 / IIC_SDA2 / SPI_MOSI0	—	—	—	—
H3	—	MD0	P04_5	A7	—	DE3	—	—	—	—
H4	—	TRACEDATA7	P04_4	A8	POE10# / GTADSM0	CTS3# / SPI_RSPCK1	—	IRQ10	—	ENCIF10
H5	—	MD1	P04_6	A6 / DACK	RTCAT1HZ	ETH1_TXER	—	—	—	—
H6	—	VDD	—	—	—	—	—	—	—	—
H7	—	VSS	—	—	—	—	—	—	—	—
H8	—	VSS	—	—	—	—	—	—	—	—
H9	—	VSS	—	—	—	—	—	—	—	—
H10	—	VDD	—	—	—	—	—	—	—	—
H11	VCC1833_3	—	P16_1	—	CMTW0_TOC1	RXD0 / SCL0 / MISO0 / SPI_MISO3 / XSPI0_RESET0#	MDAT 3	—	ADTRG0#	ENCIF2
H12	VCC1833_3	—	P15_6	—	—	SPI_SSL12 / XSPI0_IO7	MDAT 2	—	—	—
H13	VCC1833_3	—	P15_4	—	MTIOC8D	XSPI0_IO5	MDAT 1	—	—	—
H14	VCC1833_3	—	P16_2	—	—	CTS0# / USB_EXICEN / SPI_RSPCK3 / XSPI0_RESET1#	—	NMI	—	ENCIF3
H15	—	—	P16_5	—	MTIC5U	TXD0 / SDA0 / MOSI0	—	—	—	—
J1	—	MD2	P04_7	A5	—	ETH0_TXER / SPI_SSL21	—	—	—	—
J2	—	—	P05_1	A3	MTIOC4B / GTIOC6B / CMTW0_TIC1	CTS5# / ETH1_COL / USB_EXICEN / CANRXDP0	MDAT 3	IRQ13	—	ENCIF12

Table 1.19 List of pins and pin functions (225-pin FBGA) (5 of 7)

Pin number	I/O power domain	Power supply clock system control	I/O port	Bus	Timer (MTU3, POE3, GPT / POEG, CMTW, RTC)	Communication (SCI, IIC, GMAC, ETHSW, ESC, USB, CANFD, SPI, xSPI)	DSMIF	Interrupt	ADC12	Encoder I/F
J3	—	—	P05_3	A1	MTIOC4D / POE11# / GTETRGSB / GTIOC7B / CMTW0_TIC0	SCK4 / IIC_SDA1 / ETH0_COL / USB_EXICEN / CANTX0	—	IRQ15	—	ENCIF14
J4	—	—	P05_2	A2 / DREQ	MTIOC4C / GTETRGSB / GTIOC7A / CMTW0_TOC0	DE5 / IIC_SCL1 / ETH0_CRS / USB_VBUSEN / CANRX0	—	IRQ14	—	ENCIF13
J5	—	—	P05_0	A4	MTIOC4A / GTIOC6A / CMTW0_TOC0	SS5# / CTS5# / RTS5# / ETH1_CRS / USB_VBUSEN / CANTXDP0	MCLK 3	IRQ12	—	ENCIF11
J6	—	VDD	—	—	—	—	—	—	—	—
J7	—	VSS	—	—	—	—	—	—	—	—
J8	—	VSS	—	—	—	—	—	—	—	—
J9	—	VSS	—	—	—	—	—	—	—	—
J10	—	VDD	—	—	—	—	—	—	—	—
J11	—	VCC1833_3	—	—	—	—	—	—	—	—
J12	VCC1833_3	—	P14_5	CS3#	POE8#	XSPI0_CKN	—	—	—	—
J13	VCC1833_3	—	P14_4	BS	MTIOC0B	ESC_IRQ / XSPI0_DS	—	—	—	—
J14	VCC1833_3	—	P15_5	—	—	XSPI0_IO6	MCLK 2	—	—	—
J15	VCC1833_3	—	P15_7	TEND	—	CTS5# / SPI_SSL13 / XSPI0_CS0#	—	—	—	ENCIF1
K1	VCC1833_1	—	P05_4	A0 / DACK	GTIOC14A	RXD4 / SCL4 / MISO4 / ETHSW_LPI0 / USB_OVRCUR / CANTXDP0 / SPI_SSL00	—	IRQ12	—	ENCIF15
K2	VCC1833_1	—	P05_5	D16	GTIOC14B / CMTW0_TOC1	ETHSW_PHYLINK1 / ESC_PHYLINK1 / SPI_RSPCK2	—	—	—	—
K3	VCC1833_1	—	P05_6	D17	GTIOC15A / CMTW1_TIC0	ETH1_RXER / SPI_SSL22	—	IRQ12	—	—
K4	VCC1833_1	—	P06_3	D23	GTIOC17B / CMTW1_TIC1	DE4 / ETH1_TXD0 / CANTXDP1 / SPI_MISO1	—	—	—	—
K5	—	VCC1833_1	—	—	—	—	—	—	—	—
K6	—	VDD	—	—	—	—	—	—	—	—
K7	—	VDD	—	—	—	—	—	—	—	—
K8	—	VDD	—	—	—	—	—	—	—	—
K9	—	VSS	—	—	—	—	—	—	—	—
K10	—	VDD	—	—	—	—	—	—	—	—
K11	VCC1833_3	—	P15_3	—	MTIOC8C	XSPI0_IO4	MCLK 1	—	—	—
K12	VCC1833_3	—	P14_2	—	MTIOC8B / GTIOC8B	ETH0_CRS / XSPI0_ECS0#	—	IRQ6	—	ENCIF12
K13	VCC1833_3	—	P14_6	A21	—	XSPI0_CKP	—	—	—	—
K14	VCC1833_3	—	P15_1	A24	MTIOC0C	TXD5 / SDA5 / MOSI5 / SPI_SSL10 / XSPI0_IO2	—	—	—	—
K15	VCC1833_3	—	P15_2	A25	MTIOC0D	SS5# / CTS5# / RTS5# / SPI_SSL11 / XSPI0_IO3	—	—	—	—
L1	—	VSS	—	—	—	—	—	—	—	—
L2	VCC1833_1	—	P06_0	D19	GTIOC16A / CMTW1_TOC0	SS4# / CTS4# / RTS4# / ETH1_TXD3 / CANRX1 / SPI_SSL23	—	—	—	—
L3	VCC1833_1	—	P06_1	D22	GTIOC16B	CTS4# / ETH1_REFCLK / RMII1_REFCLK / CANTX1 / SPI_SSL22	—	—	—	—
L4	VCC1833_1	—	P06_6	D21	GTIOC12A	ETH1_RXD0 / SPI_SSL10	—	—	—	—
L5	—	VCC33	—	—	—	—	—	—	—	—
L6	—	VCC1833_0	—	—	—	—	—	—	—	—
L7	VCC1833_0	—	P09_7	—	—	ETH0_TXCLK	—	—	—	—

Table 1.19 List of pins and pin functions (225-pin FBGA) (6 of 7)

Pin number	I/O power domain	Power supply clock system control	I/O port	Bus	Timer (MTU3, POE3, GPT / POEG, CMTW, RTC)	Communication (SCI, IIC, GMAC, ETHSW, ESC, USB, CANFD, SPI, xSPI)	DSMIF	Interrupt	ADC12	Encoder I/F
L8	VCC1833_0	—	P10_2	—	—	ETH0_RXD1	—	—	—	—
L9	VCC1833_0	—	P10_3	—	RTCAT1HZ	ETH0_RXD2	—	—	—	—
L10	VCC1833_4	TRACEDATA6	P13_2	D9	MTIOC0A / POE8# / GTIOC10A	SS1# / CTS1# / RTS1# / IIC_SCL0 / ETHSW_PTPOUT2 / ESC_I2CCLK / SPI_MISO0	MCLK 4	IRQ5	—	ENCIF8
L11	VCC1833_3	—	P15_0	A23	—	RXD5 / SCL5 / MISO5 / SPI_MOSI1 / XSPI0_IO1	—	—	—	—
L12	VCC1833_4	—	P13_4	—	MTIOC0D / GTIOC8B	ESC_RESETOUT#	—	—	—	ENCIF10
L13	VCC1833_3	—	P14_0	—	MTCLKD	ETHSW_PTPOUT1 / ESC_SYNC1 / ESC_SYNC0 / XSPI0_INT0#	—	—	—	—
L14	VCC1833_3	—	P14_1	—	MTIOC8A / GTIOC8A	ETH1_COL / XSPI0_INT1#	—	—	—	ENCIF11
L15	—	VSS	—	—	—	—	—	—	—	—
M1	VCC1833_1	—	P05_7	D18	GTIOC15B / CMTW1_TOC1	TXD4 / SDA4 / MOSI4 / ETH1_TXD2 / SPI_SSL23	—	—	—	—
M2	VCC1833_1	—	P06_2	D20	GTIOC17A	ETH1_TXD1 / CANRXDP1	—	—	—	—
M3	VCC1833_1	—	P06_7	D26	GTIOC12B	ETH1_RXD1 / SPI_SSL11	—	—	—	—
M4	VCC1833_1	—	P07_3	D30	—	ETH1_RXCLK	—	—	—	—
M5	VCC1833_0	—	P08_6	—	MTIOC6C	ETH0_RXCLK	—	—	—	—
M6	VCC1833_0	—	P09_4	—	—	ETH0_TXD2	—	—	—	—
M7	VCC1833_0	—	P09_6	—	—	ETH0_TXD0	—	—	—	—
M8	VCC1833_0	—	P10_1	—	—	ETH0_RXD0	—	—	—	—
M9	VCC1833_0	—	P10_4	WE2# / DQMUL	—	ETHSW_PHYLINK0 / ESC_PHYLINK0	—	IRQ11	—	—
M10	—	VCC1833_4	—	—	—	—	—	—	—	—
M11	VCC1833_3	—	P13_7	—	MTCLKC	GMAC_PTPTRG1 / ESC_LATCH1 / ESC_LATCH0 / XSPI0_ECS1#	—	—	—	—
M12	VCC1833_3	—	P13_5	—	MTCLKA	GMAC_PTPTRG0 / ESC_LATCH0 / ESC_LATCH1 / SPI_RSPCK1 / XSPI0_WP1#	—	—	—	—
M13	VCC1833_3	—	P13_6	—	MTCLKB	ETHSW_PTPOUT0 / ESC_SYNC0 / ESC_SYNC1 / XSPI0_WP0#	—	—	—	—
M14	VCC1833_3	—	P14_3	—	MTIOC0A	ETH0_COL / XSPI0_RST01#	—	—	—	ENCIF13
M15	VCC1833_3	—	P14_7	A22	—	SCK5 / SPI_MISO1 / XSPI0_IO0	—	—	—	—
N1	VCC1833_1	—	P06_4	D24	GTIOC11A	ETH1_TXCLK / SPI_MOSI1	—	—	—	—
N2	VCC1833_1	—	P06_5	D25	GTIOC11B	ETH1_TXEN	—	—	—	—
N3	VCC1833_1	—	P07_1	D28	GTIOC13B	ETH1_RXD3	—	—	—	—
N4	VCC1833_0	—	P08_4	D31	MTIOC6A	ETH0_RXD3	—	—	—	—
N5	VCC1833_0	—	P08_7	D29	MTIOC6D	GMAC_MDC / ETHSW_MDC / ESC_MDC	—	—	—	—
N6	VCC1833_0	—	P09_2	D31	MTIOC7C	ETH0_RXER	—	IRQ0	—	—
N7	—	—	P09_5	—	—	ETH0_TXD1	—	—	—	—
N8	—	—	P10_0	—	—	ETH0_TXEN	—	—	—	—
N9	—	VCC18_PLL1	—	—	—	—	—	—	—	—
N10	—	VSS	—	—	—	—	—	—	—	—
N11	VCC1833_4	TRACEDATA0	P12_4	D15	MTIOC8B / GTIOC8B	ETH1_CRS / SPI_SSL01	—	—	—	ENCIF7
N12	VCC1833_4	TRACEDATA7	P13_3	D8	MTIOC0C / MTIOC0B / GTIOC10B / CMTW1_TOC0	CTS1# / IIC_SDA0 / ETHSW_PTPOUT3 / ESC_I2CDATA / SPI_RSPCK0	MDAT 4	—	—	ENCIF9
N13	—	VSS_USB	—	—	—	—	—	—	—	—
N14	—	VSS	—	—	—	—	—	—	—	—

Table 1.19 List of pins and pin functions (225-pin FBGA) (7 of 7)

Pin number	I/O power domain	Power supply clock system control	I/O port	Bus	Timer (MTU3, POE3, GPT / POEG, CMTW, RTC)	Communication (SCI, IIC, GMAC, ETHSW, ESC, USB, CANFD, SPI, xSPI)	DSMIF	Interrupt	ADC12	Encoder I/F
N15	—	VSS_USB	—	—	—	—	—	—	—	—
P1	VCC1833_1	—	P07_0	D27	GTIOC13A	ETH1_RXD2	—	—	—	—
P2	VCC1833_1	—	P07_2	D29	—	ETH1_RXDV	—	—	—	—
P3	VCC1833_0	—	P08_5	—	MTIOC6B	ETH0_RXDV	—	—	—	—
P4	VCC1833_0	—	P09_0	D30	MTIOC7A	GMAC_MDIO / ETHSW_MDIO / ESC_MDIO	—	—	—	—
P5	—	MDX	—	—	—	—	—	—	—	—
P6	—	RES#	—	—	—	—	—	—	—	—
P7	—	VDD	—	—	—	—	—	—	—	—
P8	—	VSS	—	—	—	—	—	—	—	—
P9	—	VCC18_PLL0	—	—	—	—	—	—	—	—
P10	—	AVCC18_USB	—	—	—	—	—	—	—	—
P11	—	VCC18_USB	—	—	—	—	—	—	—	—
P12	—	VSS_USB	—	—	—	—	—	—	—	—
P13	—	USB_DM	—	—	—	—	—	—	—	—
P14	—	VSS_USB	—	—	—	—	—	—	—	—
P15	—	USB_RREF	—	—	—	—	—	—	—	—
R1	—	VSS	—	—	—	—	—	—	—	—
R2	—	—	P07_4	—	—	USB_VBUSIN	—	IRQ1	ADTRG0#	—
R3	VCC1833_0	—	P09_1	—	MTIOC7B	ETH0_REFCLK / RMII0_REFCLK	—	—	—	—
R4	VCC1833_0	—	P09_3	—	MTIOC7D	ETH0_TXD3	—	—	—	—
R5	—	VSS	—	—	—	—	—	—	—	—
R6	—	EXTCLKIN	—	—	—	—	—	—	—	—
R7	—	EXTAL	—	—	—	—	—	—	—	—
R8	—	XTAL	—	—	—	—	—	—	—	—
R9	—	VSS	—	—	—	—	—	—	—	—
R10	—	AVCC18_USB	—	—	—	—	—	—	—	—
R11	—	VCC33_USB	—	—	—	—	—	—	—	—
R12	—	VSS_USB	—	—	—	—	—	—	—	—
R13	—	USB_DP	—	—	—	—	—	—	—	—
R14	—	VSS_USB	—	—	—	—	—	—	—	—
R15	—	VSS	—	—	—	—	—	—	—	—

1.8 LQFP 176 Pin Assignments

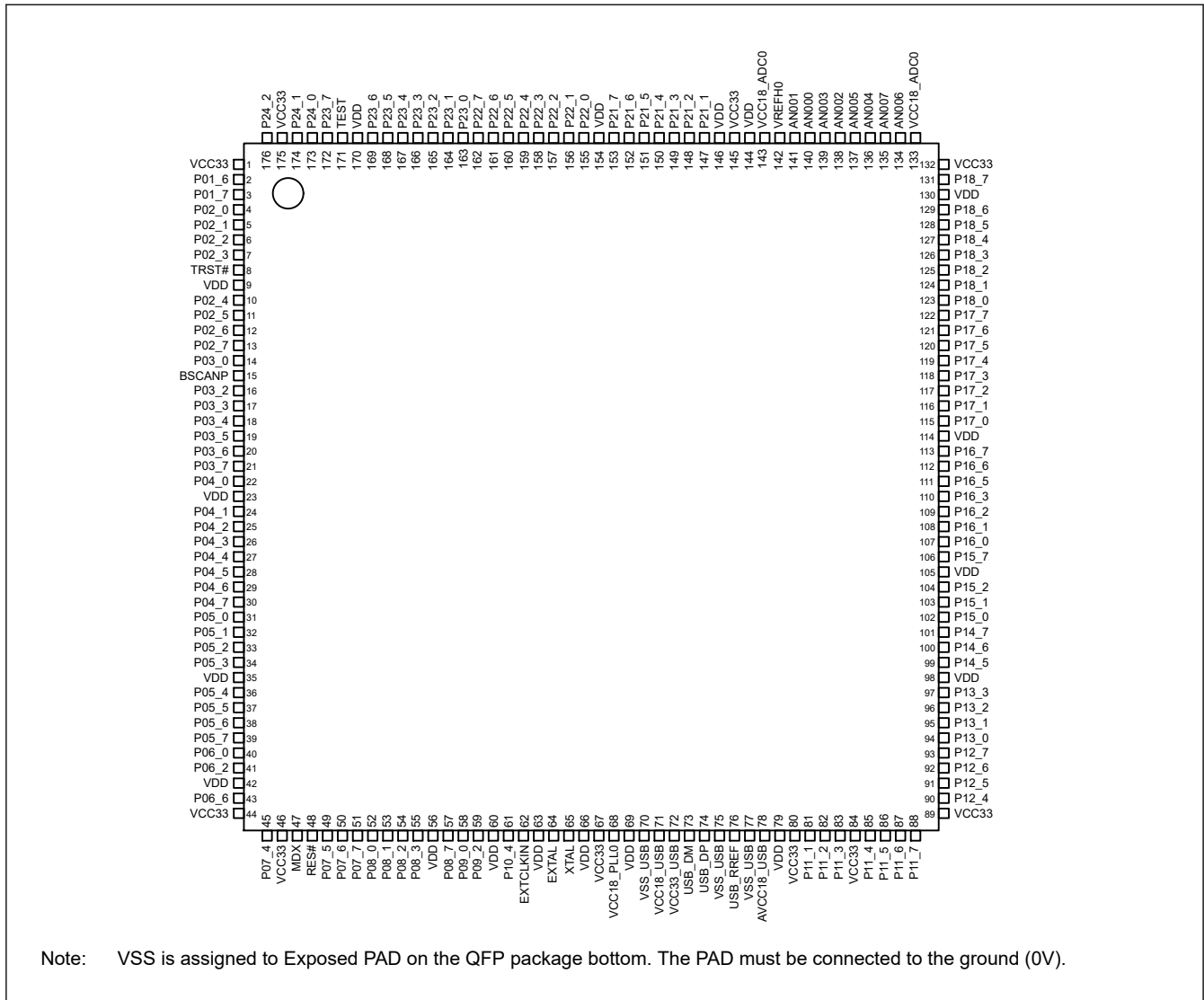


Figure 1.4 Pin arrangement (176-pin LQFP) (top view)

Table 1.20 List of pins and pin functions (176-pin LQFP) (1 of 6)

Pin number	Power supply clock system control	I/O port	Bus	Timer (MTU3, POE3, GPT / POEG, CMTW, RTC)	Communication (SCI, IIC, GMAC, ETHSW, ESC, USB, CANFD, SPI, xSPI)	DSMIF	Interrupt	ADC12	Encoder I/F
1	VCC33	—	—	—	—	—	—	—	—
2	TRACEDATA0	P01_6	A20	MTIOC1A / GTIOC9A	CTS1# / CANTXDP1	—	—	—	ENCIF0
3	TRACEDATA1	P01_7	A19	MTIOC1B / GTIOC9B	SCK1 / CANRX0 / SPI_RSPCK3	—	—	ADTRG0#	ENCIF1
4	TRACEDATA2	P02_0	A18	GTADSMLO	RXD1 / SCL1 / MISO1 / USB_OTGID / CANTX1 / SPI_MISO3	—	IRQ4	—	ENCIF2
5	MDW	P02_1	A17	—	—	—	—	—	—
6	—	P02_2	A16	MTIOC2A / POE10# / GTIOC10A / RTCAT1HZ	TXD1 / SDA1 / MOSI1 / CANTX0 / SPI_MOSI3	—	IRQ14	—	ENCIF3
7	—	P02_3	A15 / WE3# / DQMUU / AH#	MTIOC2B / POE11# / GTIOC10B	SS1# / CTS1# / RTS1# / CANRX1 / SPI_SSL30	—	IRQ15	—	ENCIF4
8	TRST#	—	—	—	—	—	—	—	—
9	VDD	—	—	—	—	—	—	—	—
10	TDO	P02_4	WE0# / DQMLL	—	DE1 / SPI_SSL33	—	—	—	—
11	TDI	P02_5	WE1# / DQMLU	—	SCK5 / SPI_SSL31	—	—	—	ENCIF5

Table 1.20 List of pins and pin functions (176-pin LQFP) (2 of 6)

Pin number	Power supply clock system control	I/O port	Bus	Timer (MTU3, POE3, GPT / POEG, CMTW, RTC)	Communication (SCI, IIC, GMAC, ETHSW, ESC, USB, CANFD, SPI, xSPI)	DSMIF	Interrupt	ADC12	Encoder I/F
12	TMS	P02_6	—	—	RXD5 / SCL5 / MISO5	—	—	—	ENCIF6
13	TCK	P02_7	—	—	TXD5 / SDA5 / MOSI5	—	—	—	ENCIF7
14	TRACEDATA3	P03_0	A14 / CS5#	GTADSM1	SCK2 / CANTXDP1 / SPI_SSL32	—	IRQ14	—	ENCIF8
15	BSCANP	—	—	—	—	—	—	—	—
16	—	P03_2	A13	—	CTS2# / CANRXDP0	—	NMI	—	—
17	—	P03_3	WAIT# / TEND	—	DE2 / USB_OTGID	—	IRQ11	—	ENCIF9
18	—	P03_4	RD/WR#	—	SS2# / CTS2# / RTS2# / SPI_SSL03	—	IRQ7	—	—
19	—	P03_5	A12	MTIOC3A / GTIOC4A	RXD2 / SCL2 / MISO2	MCLK2	IRQ5	—	—
20	TRACEDATA4	P03_6	A11	MTIOC3B / GTIOC4B	TXD2 / SDA2 / MOSI2 / SPI_SSL13	MDAT2	IRQ8	—	—
21	TRACEDATA5	P03_7	A10	MTIOC3C / GTIOC5A	SCK3	—	IRQ9	—	—
22	TRACEDATA6	P04_0	A9	MTIOC3D / GTIOC5B	RXD3 / SCL3 / MISO3	—	—	—	—
23	VDD	—	—	—	—	—	—	—	—
24	—	P04_1	CKIO	—	TXD3 / SDA3 / MOSI3 / IIC_SDA2 / SPI_MOSI0	—	—	—	—
25	—	P04_2	CS0#	—	—	—	—	—	—
26	—	P04_3	RD#	—	SS3# / CTS3# / RTS3# / IIC_SCL2 / USB_OVRCUR / SPI_RSPCK0	—	—	—	—
27	TRACEDATA7	P04_4	A8	POE10# / GTADSM0	CTS3# / SPI_RSPCK1	—	IRQ10	—	ENCIF10
28	MD0	P04_5	A7	—	DE3	—	—	—	—
29	MD1	P04_6	A6 / DACK	RTCAT1HZ	—	—	—	—	—
30	MD2	P04_7	A5	—	SPI_SSL21	—	—	—	—
31	—	P05_0	A4	MTIOC4A / GTIOC6A / CMTW0_TOC0	SS5# / CTS5# / RTS5# / USB_VBUSEN / CANTXDP0	MCLK3	IRQ12	—	ENCIF11
32	—	P05_1	A3	MTIOC4B / GTIOC6B / CMTW0_TIC1	CTS5# / USB_EXICEN / CANRXDP0	MDAT3	IRQ13	—	ENCIF12
33	—	P05_2	A2 / DREQ	MTIOC4C / GTETRGA / GTIOC7A / CMTW0_TOC0	DE5 / IIC_SCL1 / USB_VBUSEN / CANRX0	—	IRQ14	—	ENCIF13
34	—	P05_3	A1	MTIOC4D / POE11# / GTETRGSB / GTIOC7B / CMTW0_TIC0	SCK4 / IIC_SDA1 / USB_EXICEN / CANTX0	—	IRQ15	—	ENCIF14
35	VDD	—	—	—	—	—	—	—	—
36	—	P05_4	A0 / DACK	GTIOC14A	RXD4 / SCL4 / MISO4 / USB_OVRCUR / CANTXDP0 / SPI_SSL00	—	IRQ12	—	ENCIF15
37	—	P05_5	D16	GTIOC14B / CMTW0_TOC1	SPI_RSPCK2	—	—	—	—
38	—	P05_6	D17	GTIOC15A / CMTW1_TIC0	SPI_SSL22	—	IRQ12	—	—
39	—	P05_7	D18	GTIOC15B / CMTW1_TOC1	TXD4 / SDA4 / MOSI4 / SPI_SSL23	—	—	—	—
40	—	P06_0	D19	GTIOC16A / CMTW1_TOC0	SS4# / CTS4# / RTS4# / CANRX1 / SPI_SSL23	—	—	—	—
41	—	P06_2	D20	GTIOC17A	CANRXDP1	—	—	—	—
42	VDD	—	—	—	—	—	—	—	—
43	—	P06_6	D21	GTIOC12A	SPI_SSL10	—	—	—	—
44	VCC33	—	—	—	—	—	—	—	—
45	—	P07_4	—	—	USB_VBUSIN	—	IRQ1	ADTRG0#	—
46	VCC33	—	—	—	—	—	—	—	—
47	MDX	—	—	—	—	—	—	—	—
48	RES#	—	—	—	—	—	—	—	—
49	—	P07_5	A21 / D22	—	—	—	—	—	—

Table 1.20 List of pins and pin functions (176-pin LQFP) (3 of 6)

Pin number	Power supply clock system control	I/O port	Bus	Timer (MTU3, POE3, GPT / POEG, CMTW, RTC)	Communication (SCI, IIC, GMAC, ETHSW, ESC, USB, CANFD, SPI, xSPI)	DSMIF	Interrupt	ADC12	Encoder I/F
50	—	P07_6	A22 / D23	—	SPI_SSL21	—	—	—	—
51	—	P07_7	A23 / D24	—	—	—	—	—	—
52	—	P08_0	A24 / D25	—	—	—	—	—	—
53	—	P08_1	A25 / D26	—	USB_VBUSEN	—	—	—	—
54	—	P08_2	D27	—	—	—	—	—	—
55	—	P08_3	D28	—	—	—	—	—	—
56	VDD	—	—	—	—	—	—	—	—
57	—	P08_7	D29	MTIOC6D	—	—	—	—	—
58	—	P09_0	D30	MTIOC7A	—	—	—	—	—
59	—	P09_2	D31	MTIOC7C	—	—	IRQ0	—	—
60	VDD	—	—	—	—	—	—	—	—
61	—	P10_4	WE2# / DQMUL	—	—	—	IRQ11	—	—
62	EXTCLKIN	—	—	—	—	—	—	—	—
63	VDD	—	—	—	—	—	—	—	—
64	EXTAL	—	—	—	—	—	—	—	—
65	XTAL	—	—	—	—	—	—	—	—
66	VDD	—	—	—	—	—	—	—	—
67	VCC33	—	—	—	—	—	—	—	—
68	VCC18_PLL0	—	—	—	—	—	—	—	—
69	VDD	—	—	—	—	—	—	—	—
70	VSS_USB	—	—	—	—	—	—	—	—
71	VCC18_USB	—	—	—	—	—	—	—	—
72	VCC33_USB	—	—	—	—	—	—	—	—
73	USB_DM	—	—	—	—	—	—	—	—
74	USB_DP	—	—	—	—	—	—	—	—
75	VSS_USB	—	—	—	—	—	—	—	—
76	USB_RREF	—	—	—	—	—	—	—	—
77	VSS_USB	—	—	—	—	—	—	—	—
78	AVCC18_USB	—	—	—	—	—	—	—	—
79	VDD	—	—	—	—	—	—	—	—
80	VCC33	—	—	—	—	—	—	—	—
81	—	P11_1	—	MTIOC1A / GTIOC11A	XSPI1_WP1#	—	—	—	—
82	—	P11_2	—	MTIOC1B / GTIOC11B	XSPI1_WP0#	—	—	—	—
83	—	P11_3	—	MTIOC2A / GTIOC12A	XSPI1_ECS0#	—	—	—	—
84	VCC33	—	—	—	—	—	—	—	—
85	—	P11_4	—	MTIOC2B / GTIOC12B	XSPI1_RST01#	—	—	—	—
86	—	P11_5	—	MTIOC0B	XSPI1_RST00#	—	—	—	ENCIF0
87	—	P11_6	—	MTIOC8C	XSPI1_RESET1#	—	—	—	ENCIF1
88	—	P11_7	—	MTIOC8D	USB_OVRCUR / XSPI1_DS	—	—	—	ENCIF2
89	VCC33	—	—	—	—	—	—	—	—
90	TRACEDATA0	P12_4	D15	MTIOC8B / GTIOC8B	SPI_SSL01 / XSPI1_RESET0#	—	—	—	ENCIF7
91	TRACEDATA1	P12_5	D14 / DACK	MTIOC8A / GTIOC8A	SPI_SSL03 / XSPI1_IO3	—	—	—	ENCIF0
92	TRACEDATA2	P12_6	D13	MTCLKA	DE1 / SPI_SSL02 / XSPI1_IO2	MCLK5	IRQ3	—	ENCIF1
93	TRACEDATA3	P12_7	D12	MTCLKB / MTCLKC	SCK1 / SPI_SSL01 / XSPI1_IO1	MDAT5	IRQ4	—	ENCIF2
94	TRACEDATA4	P13_0	D11	MTCLKC / MTCLKB / GTIOC9A	RXD1 / SCL1 / MISO1 / SPI_SSL00 / XSPI1_IO0	MCLK0	—	—	ENCIF3
95	TRACEDATA5	P13_1	D10	MTCLKD / GTIOC9B	TXD1 / SDA1 / MOSI1 / SPI_MOSI0 / XSPI1_CS0#	MDAT0	—	—	ENCIF4

Table 1.20 List of pins and pin functions (176-pin LQFP) (4 of 6)

Pin number	Power supply clock system control	I/O port	Bus	Timer (MTU3, POE3, GPT / POEG, CMTW, RTC)	Communication (SCI, IIC, GMAC, ETHSW, ESC, USB, CANFD, SPI, xSPI)	DSMIF	Interrupt	ADC12	Encoder I/F
96	TRACEDATA6	P13_2	D9	MTIOC0A / POE8# / GTIOC10A	SS1# / CTS1# / RTS1# / IIC_SCL0 / SPI_MISO0 / XSPI1_CS1#	MCLK4	IRQ5	—	ENCIF8
97	TRACEDATA7	P13_3	D8	MTIOC0C / MTIOC0B / GTIOC10B / CMTW1_TOC0	CTS1# / IIC_SDA0 / SPI_RSPCK0 / XSPI1_CKP	MDAT4	—	—	ENCIF9
98	VDD	—	—	—	—	—	—	—	—
99	—	P14_5	CS3#	POE8#	XSPI0_CKN	—	—	—	—
100	—	P14_6	A21	—	XSPI0_CKP	—	—	—	—
101	—	P14_7	A22	—	SCK5 / SPI_MISO1 / XSPI0_IO0	—	—	—	—
102	—	P15_0	A23	—	RXD5 / SCL5 / MISO5 / SPI_MOS1 / XSPI0_IO1	—	—	—	—
103	—	P15_1	A24	MTIOC0C	TXD5 / SDA5 / MOSI5 / SPI_SSL10 / XSPI0_IO2	—	—	—	—
104	—	P15_2	A25	MTIOC0D	SS5# / CTS5# / RTS5# / SPI_SSL11 / XSPI0_IO3	—	—	—	—
105	VDD	—	—	—	—	—	—	—	—
106	—	P15_7	TEND	—	CTS5# / SPI_SSL13 / XSPI0_CS0#	—	—	—	ENCIF1
107	—	P16_0	—	—	TXD0 / SDA0 / MOSI0 / SPI_MOS3 / XSPI0_CS1#	MCLK3	—	—	ENCIF0
108	—	P16_1	—	CMTW0_TOC1	RXD0 / SCL0 / MISO0 / SPI_MISO3 / XSPI0_RESET0#	MDAT3	—	ADTRG0#	ENCIF2
109	—	P16_2	—	—	CTS0# / USB_EXICEN / SPI_RSPCK3 / XSPI0_RESET1#	—	NMI	—	ENCIF3
110	—	P16_3	—	GTADSMP1	SCK0 / SPI_SSL30 / XSPI0_RST00#	—	IRQ7	—	ENCIF4
111	—	P16_5	—	MTIC5U	TXD0 / SDA0 / MOSI0	—	—	—	—
112	—	P16_6	—	MTIC5V	RXD0 / SCL0 / MISO0	—	IRQ8	—	—
113	—	P16_7	—	MTIC5W	SCK0	—	—	—	—
114	VDD	—	—	—	—	—	—	—	—
115	MDD	P17_0	—	—	SS0# / CTS0# / RTS0# / ESC_IRQ	—	—	—	—
116	—	P17_1	—	—	DE0	—	—	—	—
117	—	P17_2	—	CMTW1_TIC0	—	—	IRQ9	—	—
118	TRACECTL	P17_3	DREQ	POE0# / GTETRGA	SPI_SSL31	—	—	—	ENCIF5
119	TRACECLK	P17_4	—	MTIOC3C / GTETRGB / GTIOC0A	CTS3# / SPI_SSL32	—	—	—	ENCIF6
120	RSTOUT#	P17_5	TEND	MTIOC3A / GTETRGC / GTIOC0B	USB_OVRCUR	—	—	—	ENCIF7
121	—	P17_6	—	MTIOC3B / GTIOC1A	SCK3	—	—	—	ENCIF8
122	—	P17_7	DACK	MTIOC4A / MTIOC4C / GTIOC2A / GTIOC3A	RXD3 / SCL3 / MISO3	—	—	—	ENCIF9
123	—	P18_0	—	MTIOC4C / MTIOC4A / GTIOC3A / GTIOC2A	TXD3 / SDA3 / MOSI3	—	—	—	—
124	—	P18_1	—	MTIOC3D / GTIOC1B	SS3# / CTS3# / RTS3#	—	IRQ10	—	ENCIF10
125	—	P18_2	—	MTIOC4B / MTIOC4D / GTIOC2B / GTIOC3B	—	—	—	—	ENCIF11
126	—	P18_3	—	MTIOC4D / MTIOC4B / GTIOC3B / GTIOC2B / CMTW1_TIC1	CANRXDP1	—	IRQ0	—	ENCIF12
127	—	P18_4	—	MTIC5U	TXD4 / SDA4 / MOSI4 / SPI_RSPCK2	—	IRQ1	—	ENCIF13
128	TRACECTL	P18_5	—	MTIC5V	RXD4 / SCL4 / MISO4 / SPI_MOS2	—	—	—	ENCIF14
129	TRACECLK	P18_6	—	MTIC5W	SCK4 / IIC_SCL2 / SPI_MISO2	—	IRQ11	ADTRG0#	ENCIF15
130	VDD	—	—	—	—	—	—	—	—
131	—	P18_7	—	POE4# / GTETRGD	IIC_SDA2 / USB_VBUSEN / SPI_SSL20	—	IRQ2	—	—

Table 1.20 List of pins and pin functions (176-pin LQFP) (5 of 6)

Pin number	Power supply clock system control	I/O port	Bus	Timer (MTU3, POE3, GPT / POEG, CMTW, RTC)	Communication (SCI, IIC, GMAC, ETHSW, ESC, USB, CANFD, SPI, xSPI)	DSMIF	Interrupt	ADC12	Encoder I/F
132	VCC33	—	—	—	—	—	—	—	—
133	VCC18_ADC0	—	—	—	—	—	—	—	—
134	—	—	—	—	—	—	—	AN006	—
135	—	—	—	—	—	—	—	AN007	—
136	—	—	—	—	—	—	—	AN004	—
137	—	—	—	—	—	—	—	AN005	—
138	—	—	—	—	—	—	—	AN002	—
139	—	—	—	—	—	—	—	AN003	—
140	—	—	—	—	—	—	—	AN000	—
141	—	—	—	—	—	—	—	AN001	—
142	VREFH0	—	—	—	—	—	—	—	—
143	VCC18_ADC0	—	—	—	—	—	—	—	—
144	VDD	—	—	—	—	—	—	—	—
145	VCC33	—	—	—	—	—	—	—	—
146	VDD	—	—	—	—	—	—	—	—
147	TRACEDATA0	P21_1	D0	MTIOC6A / GTIOC14A / CMTW0_TIC0	SCK5 / IIC_SCL1 / SPI_SSL20	MCLK0	—	—	ENCIF5
148	TRACEDATA1	P21_2	D1	MTIOC6B / GTIOC14B / CMTW0_TIC1	RXD5 / SCL5 / MISO5 / IIC_SDA1 / SPI_MISO2	MDAT0	—	—	ENCIF6
149	TRACEDATA2	P21_3	D2	MTIOC6C / GTIOC15A	TXD5 / SDA5 / MOSI5 / SPI_SSL33	MCLK1	—	—	ENCIF7
150	TRACEDATA3	P21_4	D3	MTIOC6D / GTIOC15B	SS5# / CTS5# / RTS5# / SPI_SSL02	MDAT1	—	—	ENCIF8
151	TRACEDATA4	P21_5	D4	MTIOC7A / GTIOC16A / CMTW1_TOC1	CTS5# / SPI_MISO0	MCLK2	IRQ6	—	ENCIF9
152	TRACEDATA5	P21_6	D5 / TEND	MTIOC7B / GTIOC16B	CTS0#	MDAT2	IRQ9	—	—
153	TRACEDATA6	P21_7	D6 / DREQ	MTIOC7C / GTIOC17A	DE0	MCLK3	IRQ10	—	—
154	VDD	—	—	—	—	—	—	—	—
155	TRACEDATA7	P22_0	D7	MTIOC7D / GTIOC17B	DE5	MDAT3	IRQ15	—	—
156	TRACECTL	P22_1	D8	POE4#	SS4# / CTS4# / RTS4#	—	—	—	—
157	TRACECLK	P22_2	D9	MTIOC8C / GTETRGSB	SPI_SSL12	—	IRQ4	—	ENCIF10
158	—	P22_3	D10	MTIOC8D / GTETRGSB	—	—	—	—	ENCIF11
159	—	P22_4	D11	—	—	—	—	—	—
160	—	P22_5	D12	—	CTS4#	—	—	—	—
161	—	P22_6	D13	—	DE4 / IIC_SCL1	—	—	—	—
162	—	P22_7	D14	—	SCK0 / IIC_SDA1	—	—	—	—
163	—	P23_0	D15	—	SPI_MOSI2	—	IRQ5	—	—
164	—	P23_1	D16 / WE0# / DQMLL	MTCLKA	—	—	NMI	—	—
165	—	P23_2	D17 / WE1# / DQMLU	MTCLKB	—	—	IRQ8	—	—
166	—	P23_3	D18 / WE3# / DQMUU / AH#	MTCLKC	RXD0 / SCL0 / MISO0	—	—	—	—
167	—	P23_4	D19 / CS5#	MTCLKD	—	—	—	—	—
168	—	P23_5	D20 / CS2#	MTIOC8A	TXD0 / SDA0 / MOSI0	—	—	—	—
169	—	P23_6	D21	MTIOC8B	SS0# / CTS0# / RTS0#	—	—	—	—
170	VDD	—	—	—	—	—	—	—	—
171	TEST ^{†1}	—	—	—	—	—	—	—	—
172	—	P23_7	D22 / D11 / BS	MTIOC0A / GTETRGA	SCK1	MCLK4	—	—	ENCIF12
173	—	P24_0	D23 / D12 / CE / DREQ	MTIOC0B / GTETRGB	RXD1 / SCL1 / MISO1	MDAT4	—	—	ENCIF13
174	—	P24_1	D24 / D13 / CAS#	MTIOC0C / POE8# / GTETRGC	—	MCLK5	—	—	ENCIF14

Table 1.20 List of pins and pin functions (176-pin LQFP) (6 of 6)

Pin number	Power supply clock system control	I/O port	Bus	Timer (MTU3, POE3, GPT / POEG, CMTW, RTC)	Communication (SCI, IIC, GMAC, ETHSW, ESC, USB, CANFD, SPI, xSPI)	DSMIF	Interrupt	ADC12	Encoder I/F
175	VCC33	—	—	—	—	—	—	—	—
176	—	P24_2	D25 / D14 / RAS#	MTIOC0D / GTETRGD	TXD1 / SDA1 / MOSI	MDAT5	—	—	ENCIF15

Note 1. The TEST pin should be connected to VSS.

1.9 LQFP 128 Pin Assignments

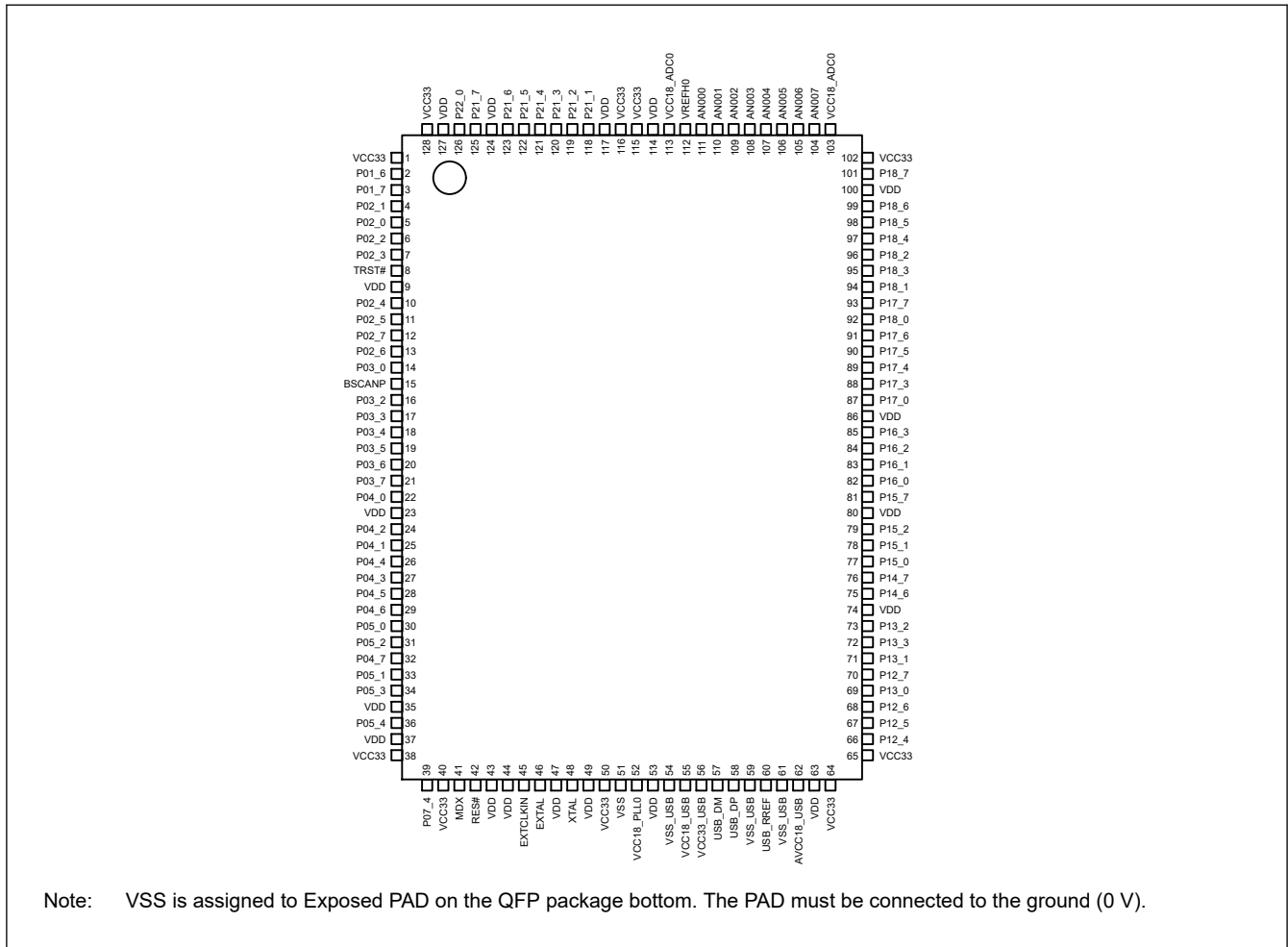


Figure 1.5 Pin arrangement (128-pin LQFP) (top view)

Table 1.21 List of pins and pin functions (128-pin LQFP) (1 of 4)

Pin number	Power supply clock system control	I/O port	Bus	Timer (MTU3, POE3, GPT / POEG, CMTW, RTC)	Communication (SCI, IIC, GMAC, ETHSW, ESC, USB, CANFD, SPI, xSPI)	DSMIF	Interrupt	ADC12	Encoder I/F
1	VCC33	—	—	—	—	—	—	—	—
2	TRACEDATA0	P01_6	A20	MTIIOC1A / GTIIOC9A	CTS1# / CANTXDP1	—	—	—	ENCIF0
3	TRACEDATA1	P01_7	A19	MTIIOC1B / GTIIOC9B	SCK1 / CANRX0 / SPI_RSPCK3	—	—	ADTRG0#	ENCIF1
4	MDW	P02_1	A17	—	—	—	—	—	—
5	TRACEDATA2	P02_0	A18	GTADSMLO	RXD1 / SCL1 / MISO1 / USB_OTGID / CANTX1 / SPI_MISO3	—	IRQ4	—	ENCIF2
6	—	P02_2	A16	MTIIOC2A / POE10# / GTIIOC10A / RTCAT1HZ	TXD1 / SDA1 / MOSI1 / CANTX0 / SPI_MOSI3	—	IRQ14	—	ENCIF3
7	—	P02_3	A15 / WE3# / DQMUU / AH#	MTIIOC2B / POE11# / GTIIOC10B	SS1# / CTS1# / RTS1# / CANRX1 / SPI_SSL30	—	IRQ15	—	ENCIF4
8	TRST#	—	—	—	—	—	—	—	—
9	VDD	—	—	—	—	—	—	—	—
10	TDO	P02_4	WE0# / DQMLL	—	DE1 / SPI_SSL33	—	—	—	—
11	TDI	P02_5	WE1# / DQMLU	—	SCK5 / SPI_SSL31	—	—	—	ENCIF5
12	TCK	P02_7	—	—	TXD5 / SDA5 / MOSI5	—	—	—	ENCIF7
13	TMS	P02_6	—	—	RXD5 / SCL5 / MISO5	—	—	—	ENCIF6
14	TRACEDATA3	P03_0	A14 / CS5#	GTADSMLO	SCK2 / CANTXDP1 / SPI_SSL32	—	IRQ14	—	ENCIF8

Table 1.21 List of pins and pin functions (128-pin LQFP) (2 of 4)

Pin number	Power supply clock system control	I/O port	Bus	Timer (MTU3, POE3, GPT / POEG, CMTW, RTC)	Communication (SCI, IIC, GMAC, ETHSW, ESC, USB, CANFD, SPI, xSPI)	DSMIF	Interrupt	ADC12	Encoder I/F
15	BSCANP	—	—	—	—	—	—	—	—
16	—	P03_2	A13	—	CTS2# / CANRXDP0	—	NMI	—	—
17	—	P03_3	WAIT# / TEND	—	DE2 / USB_OTGID	—	IRQ11	—	ENCIF9
18	—	P03_4	RD/WR#	—	SS2# / CTS2# / RTS2# / SPI_SSL03	—	IRQ7	—	—
19	—	P03_5	A12	MTIOC3A / GTIOC4A	RXD2 / SCL2 / MISO2	MCLK2	IRQ5	—	—
20	TRACEDATA4	P03_6	A11	MTIOC3B / GTIOC4B	TXD2 / SDA2 / MOSI2 / SPI_SSL13	MDAT2	IRQ8	—	—
21	TRACEDATA5	P03_7	A10	MTIOC3C / GTIOC5A	SCK3	—	IRQ9	—	—
22	TRACEDATA6	P04_0	A9	MTIOC3D / GTIOC5B	RXD3 / SCL3 / MISO3	—	—	—	—
23	VDD	—	—	—	—	—	—	—	—
24	—	P04_2	CS0#	—	—	—	—	—	—
25	—	P04_1	CKIO	—	TXD3 / SDA3 / MOSI3 / IIC_SDA2 / SPI_MOSI0	—	—	—	—
26	TRACEDATA7	P04_4	A8	POE10# / GTADSMPO	CTS3# / SPI_RSPCK1	—	IRQ10	—	ENCIF10
27	—	P04_3	RD#	—	SS3# / CTS3# / RTS3# / IIC_SCL2 / USB_OVRCUR / SPI_RSPCK0	—	—	—	—
28	MD0	P04_5	A7	—	DE3	—	—	—	—
29	MD1	P04_6	A6 / DACK	RTCAT1HZ	—	—	—	—	—
30	—	P05_0	A4	MTIOC4A / GTIOC6A / CMTW0_TOC0	SS5# / CTS5# / RTS5# / USB_VBUSEN / CANTXDP0	MCLK3	IRQ12	—	ENCIF11
31	—	P05_2	A2 / DREQ	MTIOC4C / GTETRGSA / GTIOC7A / CMTW0_TOC0	DE5 / IIC_SCL1 / USB_VBUSEN / CANRX0	—	IRQ14	—	ENCIF13
32	MD2	P04_7	A5	—	SPI_SSL21	—	—	—	—
33	—	P05_1	A3	MTIOC4B / GTIOC6B / CMTW0_TIC1	CTS5# / USB_EXICEN / CANRXDP0	MDAT3	IRQ13	—	ENCIF12
34	—	P05_3	A1	MTIOC4D / POE11# / GTETRGSB / GTIOC7B / CMTW0_TIC0	SCK4 / IIC_SDA1 / USB_EXICEN / CANTX0	—	IRQ15	—	ENCIF14
35	VDD	—	—	—	—	—	—	—	—
36	—	P05_4	A0 / DACK	GTIOC14A	RXD4 / SCL4 / MISO4 / USB_OVRCUR / CANTXDP0 / SPI_SSL00	—	IRQ12	—	ENCIF15
37	VDD	—	—	—	—	—	—	—	—
38	VCC33	—	—	—	—	—	—	—	—
39	—	P07_4	—	—	USB_VBUSIN	—	IRQ1	ADTRG0#	—
40	VCC33	—	—	—	—	—	—	—	—
41	MDX	—	—	—	—	—	—	—	—
42	RES#	—	—	—	—	—	—	—	—
43	VDD	—	—	—	—	—	—	—	—
44	VDD	—	—	—	—	—	—	—	—
45	EXTCLKIN	—	—	—	—	—	—	—	—
46	EXTAL	—	—	—	—	—	—	—	—
47	VDD	—	—	—	—	—	—	—	—
48	XTAL	—	—	—	—	—	—	—	—
49	VDD	—	—	—	—	—	—	—	—
50	VCC33	—	—	—	—	—	—	—	—
51	VSS	—	—	—	—	—	—	—	—
52	VCC18_PLL0	—	—	—	—	—	—	—	—
53	VDD	—	—	—	—	—	—	—	—
54	VSS_USB	—	—	—	—	—	—	—	—

Table 1.21 List of pins and pin functions (128-pin LQFP) (3 of 4)

Pin number	Power supply clock system control	I/O port	Bus	Timer (MTU3, POE3, GPT / POEG, CMTW, RTC)	Communication (SCI, IIC, GMAC, ETHSW, ESC, USB, CANFD, SPI, xSPI)	DSMIF	Interrupt	ADC12	Encoder I/F
55	VCC18_USB	—	—	—	—	—	—	—	—
56	VCC33_USB	—	—	—	—	—	—	—	—
57	USB_DM	—	—	—	—	—	—	—	—
58	USB_DP	—	—	—	—	—	—	—	—
59	VSS_USB	—	—	—	—	—	—	—	—
60	USB_RREF	—	—	—	—	—	—	—	—
61	VSS_USB	—	—	—	—	—	—	—	—
62	AVCC18_USB	—	—	—	—	—	—	—	—
63	VDD	—	—	—	—	—	—	—	—
64	VCC33	—	—	—	—	—	—	—	—
65	VCC33	—	—	—	—	—	—	—	—
66	TRACEDATA0	P12_4	D15	MTIOC8B / GTIOC8B	SPI_SSL01 / XSPI1_RESET0#	—	—	—	ENCIF7
67	TRACEDATA1	P12_5	D14 / DACK	MTIOC8A / GTIOC8A	SPI_SSL03 / XSPI1_IO3	—	—	—	ENCIF0
68	TRACEDATA2	P12_6	D13	MTCLKA	DE1 / SPI_SSL02 / XSPI1_IO2	MCLK5	IRQ3	—	ENCIF1
69	TRACEDATA4	P13_0	D11	MTCLKC / MTCLKB / GTIOC9A	RXD1 / SCL1 / MISO1 / SPI_SSL00 / XSPI1_IO0	MCLK0	—	—	ENCIF3
70	TRACEDATA3	P12_7	D12	MTCLKB / MTCLKC	SCK1 / SPI_SSL01 / XSPI1_IO1	MDAT5	IRQ4	—	ENCIF2
71	TRACEDATA5	P13_1	D10	MTCLKD / GTIOC9B	TXD1 / SDA1 / MOSI1 / SPI_MOSI0 / XSPI1_CS0#	MDAT0	—	—	ENCIF4
72	TRACEDATA7	P13_3	D8	MTIOC0C / MTIOC0B / GTIOC10B / CMTW1_TOC0	CTS1# / IIC_SDA0 / SPI_RSPCK0 / XSPI1_CKCP	MDAT4	—	—	ENCIF9
73	TRACEDATA6	P13_2	D9	MTIOC0A / POE8# / GTIOC10A	SS1# / CTS1# / RTS1# / IIC_SCL0 / SPI_MISO0 / XSPI1_CS1#	MCLK4	IRQ5	—	ENCIF8
74	VDD	—	—	—	—	—	—	—	—
75	—	P14_6	A21	—	XSPI0_CKCP	—	—	—	—
76	—	P14_7	A22	—	SCK5 / SPI_MISO1 / XSPI0_IO0	—	—	—	—
77	—	P15_0	A23	—	RXD5 / SCL5 / MISO5 / SPI_MOSI1 / XSPI0_IO1	—	—	—	—
78	—	P15_1	A24	MTIOC0C	TXD5 / SDA5 / MOSI5 / SPI_SSL10 / XSPI0_IO2	—	—	—	—
79	—	P15_2	A25	MTIOC0D	SS5# / CTS5# / RTS5# / SPI_SSL11 / XSPI0_IO3	—	—	—	—
80	VDD	—	—	—	—	—	—	—	—
81	—	P15_7	TEND	—	CTS5# / SPI_SSL13 / XSPI0_CS0#	—	—	—	ENCIF1
82	—	P16_0	—	—	TXD0 / SDA0 / MOSI0 / SPI_MOSI3 / XSPI0_CS1#	MCLK3	—	—	ENCIF0
83	—	P16_1	—	CMTW0_TOC1	RXD0 / SCL0 / MISO0 / SPI_MISO3 / XSPI0_RESET0#	MDAT3	—	ADTRG0#	ENCIF2
84	—	P16_2	—	—	CTS0# / USB_EXICEN / SPI_RSPCK3 / XSPI0_RESET1#	—	NMI	—	ENCIF3
85	—	P16_3	—	GTADSM1	SCK0 / SPI_SSL30 / XSPI0_RST00#	—	IRQ7	—	ENCIF4
86	VDD	—	—	—	—	—	—	—	—
87	MDD	P17_0	—	—	SS0# / CTS0# / RTS0#	—	—	—	—
88	TRACECTL	P17_3	DREQ	POE0# / GTETRGA	SPI_SSL31	—	—	—	ENCIF5
89	TRACECLK	P17_4	—	MTIOC3C / GTETRGB / GTIOC0A	CTS3# / SPI_SSL32	—	—	—	ENCIF6
90	RSTOUT#	P17_5	TEND	MTIOC3A / GTETRGC / GTIOC0B	USB_OVRCLR	—	—	—	ENCIF7
91	—	P17_6	—	MTIOC3B / GTIOC1A	SCK3	—	—	—	ENCIF8
92	—	P18_0	—	MTIOC4C / MTIOC4A / GTIOC3A / GTIOC2A	TXD3 / SDA3 / MOSI3	—	—	—	—

Table 1.21 List of pins and pin functions (128-pin LQFP) (4 of 4)

Pin number	Power supply clock system control	I/O port	Bus	Timer (MTU3, POE3, GPT / POEG, CMTW, RTC)	Communication (SCI, IIC, GMAC, ETHSW, ESC, USB, CANFD, SPI, xSPI)	DSMIF	Interrupt	ADC12	Encoder I/F
93	—	P17_7	DACK	MTIIOC4A / MTIIOC4C / GTIIOC2A / GTIIOC3A	RXD3 / SCL3 / MISO3	—	—	—	ENCIF9
94	—	P18_1	—	MTIIOC3D / GTIIOC1B	SS3# / CTS3# / RTS3#	—	IRQ10	—	ENCIF10
95	—	P18_3	—	MTIIOC4D / MTIIOC4B / GTIIOC3B / GTIIOC2B / CMTW1_TIC1	CANRXDP1	—	IRQ0	—	ENCIF12
96	—	P18_2	—	MTIIOC4B / MTIIOC4D / GTIIOC2B / GTIIOC3B	—	—	—	—	ENCIF11
97	—	P18_4	—	MTIC5U	TXD4 / SDA4 / MOSI4 / SPI_RSCK2	—	IRQ1	—	ENCIF13
98	TRACECTL	P18_5	—	MTIC5V	RXD4 / SCL4 / MISO4 / SPI_MOSI2	—	—	—	ENCIF14
99	TRACECLK	P18_6	—	MTIC5W	SCK4 / IIC_SCL2 / SPI_MISO2	—	IRQ11	ADTRG0#	ENCIF15
100	VDD	—	—	—	—	—	—	—	—
101	—	P18_7	—	POE4# / GTETRGD	IIC_SDA2 / USB_VBUSEN / SPI_SSL20	—	IRQ2	—	—
102	VCC33	—	—	—	—	—	—	—	—
103	VCC18_ADC0	—	—	—	—	—	—	—	—
104	—	—	—	—	—	—	—	AN007	—
105	—	—	—	—	—	—	—	AN006	—
106	—	—	—	—	—	—	—	AN005	—
107	—	—	—	—	—	—	—	AN004	—
108	—	—	—	—	—	—	—	AN003	—
109	—	—	—	—	—	—	—	AN002	—
110	—	—	—	—	—	—	—	AN001	—
111	—	—	—	—	—	—	—	AN000	—
112	VREFH0	—	—	—	—	—	—	—	—
113	VCC18_ADC0	—	—	—	—	—	—	—	—
114	VDD	—	—	—	—	—	—	—	—
115	VCC33	—	—	—	—	—	—	—	—
116	VCC33	—	—	—	—	—	—	—	—
117	VDD	—	—	—	—	—	—	—	—
118	TRACEDATA0	P21_1	D0	MTIIOC6A / GTIIOC14A / CMTW0_TIC0	SCK5 / IIC_SCL1 / SPI_SSL20	MCLK0	—	—	ENCIF5
119	TRACEDATA1	P21_2	D1	MTIIOC6B / GTIIOC14B / CMTW0_TIC1	RXD5 / SCL5 / MISO5 / IIC_SDA1 / SPI_MISO2	MDAT0	—	—	ENCIF6
120	TRACEDATA2	P21_3	D2	MTIIOC6C / GTIIOC15A	TXD5 / SDA5 / MOSI5 / SPI_SSL33	MCLK1	—	—	ENCIF7
121	TRACEDATA3	P21_4	D3	MTIIOC6D / GTIIOC15B	SS5# / CTS5# / RTS5# / SPI_SSL02	MDAT1	—	—	ENCIF8
122	TRACEDATA4	P21_5	D4	MTIIOC7A / GTIIOC16A / CMTW1_TOC1	CTS5# / SPI_MISO0	MCLK2	IRQ6	—	ENCIF9
123	TRACEDATA5	P21_6	D5 / TEND	MTIIOC7B / GTIIOC16B	CTS0#	MDAT2	IRQ9	—	—
124	VDD	—	—	—	—	—	—	—	—
125	TRACEDATA6	P21_7	D6 / DREQ	MTIIOC7C / GTIIOC17A	DE0	MCLK3	IRQ10	—	—
126	TRACEDATA7	P22_0	D7	MTIIOC7D / GTIIOC17B	DE5	MDAT3	IRQ15	—	—
127	VDD	—	—	—	—	—	—	—	—
128	VCC33	—	—	—	—	—	—	—	—

2. Electrical Characteristics

Electrical characteristics of this LSI is defined with the following conditions unless otherwise described.

Conditions:

VDD = 1.05 to 1.15 V

VCC18 = VCC1833_n (1.8-V mode) = VCC18_PLL0 = VCC18_PLL1 = VCC18_USB = AVCC18_USB = VCC18_ADC0 = VCC18_ADC1 = AVCC18_TSU = VREFH0 = VREFH1 = 1.70 to 1.95 V

VCC33 = VCC1833_n (3.3-V mode) = VCC33_USB = 3.135 to 3.465 V

VSS = VSS_USB = 0 V

T_j = -40 to 125°C

Note: The LQFP-176 and LQFP-128 do not have pins VCC1833_n, VCC18_ADC1 and VREFH1.

2.1 Absolute Maximum Ratings

Table 2.1 Absolute maximum ratings

Parameter	Symbol	Value	Unit
Power supply voltage (3.3-V mode)	VCC33, VCC1833_0, VCC1833_1, VCC1833_2, VCC1833_3, VCC1833_4	-0.3 to +3.8	V
Power supply voltage (1.8-V mode)	(VCC18) VCC1833_0 VCC1833_1, VCC1833_2, VCC1833_3, VCC1833_4	-0.3 to +2.5	V
Power supply voltage	VDD	-0.3 to +1.5	V
Input voltage	V _{in} (3.3-V logic)	-0.3 to VCC33 + 0.3	V
Input voltage	V _{in} (1.8-V logic)	-0.3 to VCC18 + 0.3	V
Analog power supply voltage	VCC18_PLL0, VCC18_PLL1, VCC18_USB, AVCC18_USB, VCC18_ADC0, VCC18_ADC1, AVCC18_TSU*1	-0.3 to smaller value of VCC18*2 + 0.3 or 2.5	V
	VCC33_USB	-0.3 to smaller value of VCC33 + 0.3 or 3.8	V
Voltage difference between power supply pins	VCC33-VCC18	-2.5 to + 2.1	V
Analog input voltage	VAN	-0.3 to smaller value of VCC18_ADC0/1 + 0.3 or 2.5	V
Reference voltage	VREFH0, VREFH1	-0.3 to smaller value of VCC18_ADC0/1 + 0.3 or 2.5	V
Crystal oscillator pins input voltage	XTAL, EXTAL	-0.3 to +1.5	V
Operating temperature (Junction temperature)	T _j	-40 to +125	°C
Storage temperature	T _{stg}	-55 to +125	°C

Note 1. Connect Analog power supply pins to VCC18 when Analog block(s) are not used. Do not leave these pins open.

Note 2. For convention, "VCC18" virtually represents any 1.8-V power supplies of the chip such as VCC1833_n in 1.8-V mode.

Caution: Permanent damage to the LSI might result if absolute maximum ratings are exceeded.

2.2 Power Supply

Table 2.2 Power supply

Parameter	Symbol	Value	Min.	Typ.	Max.	Unit
Power supply voltages	VCC33		3.135	—	3.465	V
	VDD		1.05	1.1	1.15	V
	VSS		—	0	—	V
Power supply voltages supporting multi voltage mode	VCC1833_0, VCC1833_1, VCC1833_2, VCC1833_3, VCC1833_4	3.3-V mode	3.135	3.3	3.465	V
		1.8-V mode (VCC18)	1.70	1.8	1.95	V
Analog power supply voltages	VCC18_PLL0		—	VCC18	—	V
	VCC18_PLL1		—	VCC18	—	V
	VCC33_USB		—	VCC33	—	V
	VCC18_USB		—	VCC18	—	V
	AVCC18_USB		—	VCC18	—	V
	VCC18_ADC0		—	VCC18	—	V
	VCC18_ADC1		—	VCC18	—	V
	AVCC18_TSU		—	VCC18	—	V
	VSS_USB		—	0	—	V

Note: The LQFP-176 and LQFP-128 do not have pins VCC1833_n, VCC18_ADC1, and VREFH1.

2.3 Power On/Off Sequence

Power on/off sequence and timing are shown in the figure and table below.

For power-up, 1.1-V and 1.8-V power (i.e. VDD, VCC18, and AVCC) must be supplied first, then 3.3-V power (i.e. VCC33) must be supplied. The power-up sequence must be completed within 100 ms. Reset signal (i.e. RES#) must be held to Low level during the power-up.

For Power-down, 3.3-V power (i.e. VCC33) must go down first and then 1.1-V and 1.8-V power (i.e. VDD, VCC18, and AVCC). The power-down sequence must be completed within 100 ms.

Rise and fall time of each power supply for the power-up and the power-down must be larger than 10 μ s.

Power supply voltages and reset signal must be applied with monotonic increase.

Do not apply a negative voltage to power supply voltages.

Stable clock must be supplied to EXTAL/XTAL or EXTCLKIN pin when reset signal (i.e. RES#) is driven high.

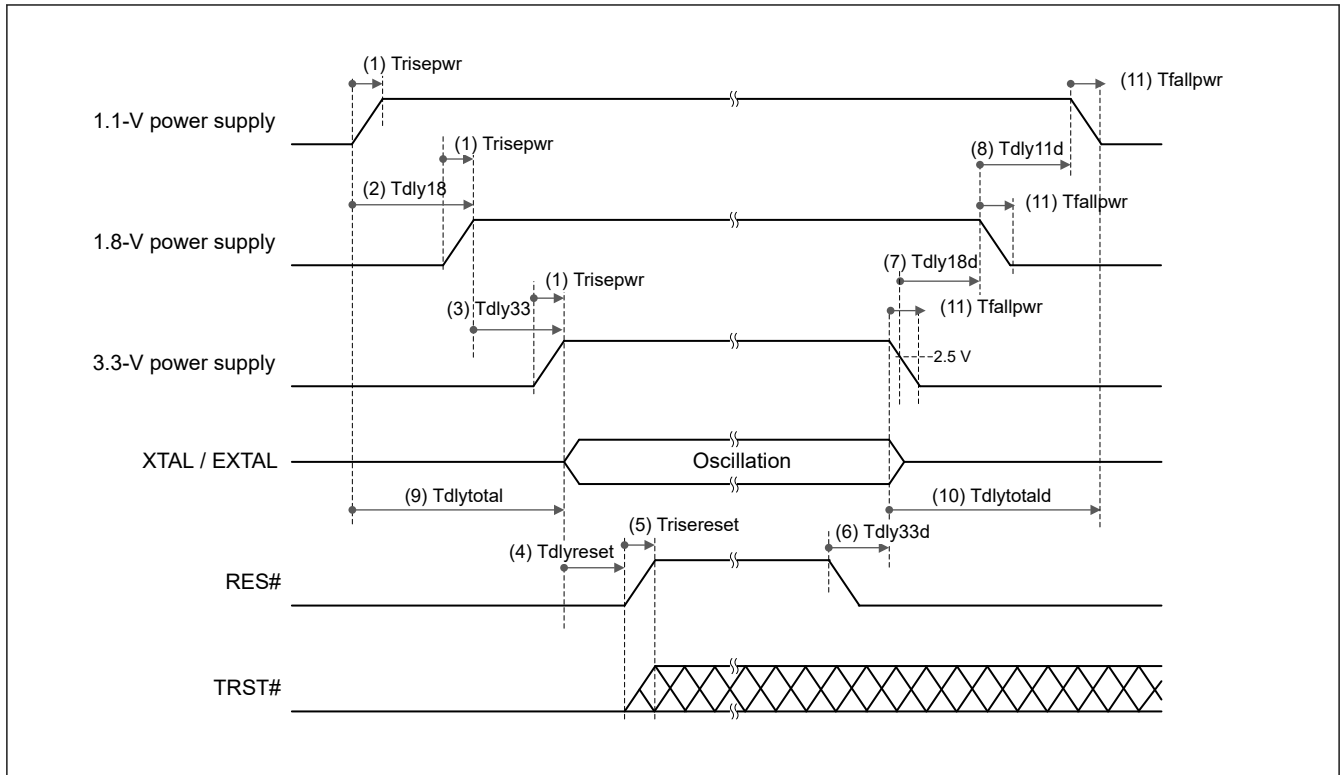


Figure 2.1 Power on/off sequence

Table 2.3 Power on/off sequence timing

No.	Symbol	Description	Value		
			Min.	Typ.	Max.
(1)	Triseppwr	Rising time of the power supply voltage	10 μ s	—	30 ms
(2)	Tdly18	Delay time from start of rising of the 1.1-V power supply voltage to completion of rising of the 1.8-V power supply voltage	0	—	100 ms
(3)	Tdly33	Delay time from completion of rising of the 1.8-V power supply voltage to completion of rising of the 3.3-V power supply voltage	0	—	100 ms
(4)	Tdlyreset	Delay time from completion of rising of the 3.3-V power supply voltage to start of rising of RES# when XTAL/EXTAL is used.	10 ms	—	—
		Delay time from completion of rising of the 3.3-V power supply voltage to start of rising of RES# when EXTCLKIN is used.	1 ms	—	—
(5)	Trisereset	Rising time of RES#	—	—	150 μ s
(6)	Tdly33d	Delay time from start of falling of RES# to start of falling of the 3.3-V power supply voltage	10 μ s	—	—
(7)	Tdly18d	Delay time from start of falling time of the 3.3-V power supply voltage to start of falling of the 1.8-V power supply voltage	0	—	100 ms
(8)	Tdly11d	Delay time from start of falling of the 1.8-V power supply voltage to start of falling of the 1.1-V power supply voltage	0	—	100 ms
(9)	Tdlytotal	Startup time of all power supply voltage	—	—	100 ms
(10)	Tdlytotald	Shut down time of all power supply voltage	—	—	100 ms
(11)	Tfallpwr	Falling time of the power supply voltage	10 μ s	—	30 ms

2.4 DC Characteristics

Table 2.4 DC Characteristics (3.3-V mode)

Item	Symbol	Conditions	Min.	Typ.	Max.	Unit	
Input High-level voltage	V_{IH33}	3.3-V mode, Schmitt Trigger Control Disabled, Except P07_4 pin	2.0	—	$V_{CC33} + 0.3$	V	
Input Low-level voltage	V_{IL33}		-0.3	—	0.8	V	
Positive trigger voltage	V_{T33+}	3.3-V mode, Schmitt Trigger Control Enabled, Except P07_4 pin	0.9	—	2.1	V	
Negative trigger voltage	V_{T33-}		0.7	—	1.9	V	
Hysteresis voltage	ΔV_{T33}		0.2	—	—	V	
Input High-level voltage 2	V_{IH33_2}	3.3-V mode, Schmitt Trigger Control Disabled, P07_4 pin ONLY	$V_{CC33} \times 0.7$	—	$V_{CC33} + 0.3$	V	
Input Low-level voltage 2	V_{IL33_2}		-0.3	—	$V_{CC33} \times 0.3$	V	
Positive trigger voltage 2	V_{T33+_2}	3.3-V mode, Schmitt Trigger Control Enabled, P07_4 pin ONLY	—	—	$V_{CC33} \times 0.72$	V	
Negative trigger voltage 2	V_{T33-_2}		$V_{CC33} \times 0.3$	—	—	V	
Hysteresis voltage 2	ΔV_{T33_2}		$V_{CC33} \times 0.1$	—	—	V	
Output High-level voltage	V_{OH33}	Low, IOH = -2 mA	$V_{CC33} - 0.4$	—	—	V	
	V_{OH33}	Middle, IOH = -4 mA	$V_{CC33} - 0.4$	—	—	V	
	V_{OH33}	High, IOH = -8 mA	$V_{CC33} - 0.4$	—	—	V	
	V_{OH33}	Ultra High, IOH = -12 mA	$V_{CC33} - 0.4$	—	—	V	
Output Low-level voltage	V_{OL33}	Low, IOL = 2 mA	—	—	0.4	V	
	V_{OL33}	Middle, IOL = 4 mA	—	—	0.4	V	
	V_{OL33}	High, IOL = 8 mA	—	—	0.4	V	
	V_{OL33}	Ultra High, IOL = 12 mA	—	—	0.4	V	
Input leakage current	$ I_{lin} $	$V_{in} = 0\text{ V}, V_{in} = V_{CC33}$	—	—	10	μA	
Three-State leakage current (off state)	$ I_{TS} $	$V_{in} = 0\text{ V}, V_{in} = V_{CC33}$	—	—	10	μA	
Input Pull-up resistors resistance	R_{pu}	$V_{in} = 0\text{ V}$	15	—	300	k Ω	
Input Pull-up resistors current	I_{pu}	$V_{in} = 0\text{ V}$	-220	—	-11	μA	
Input Pull-down resistors resistance	R_{pd}	$V_{in} = V_{CC33}$	15	—	300	k Ω	
Input Pull-down resistors current	I_{pd}	$V_{in} = V_{CC33}$	11	—	220	μA	
Input Capacitance	BGA package	C_{in}	All input/output and input pins	—	—	10	pF
	QFP package					13	

Table 2.5 DC Characteristics (1.8-V mode) (1 of 2)

Item	Symbol	Conditions	Min.	Typ.	Max.	Unit
Input High-level voltage	V_{IH18}	1.8-V mode, Schmitt Trigger Control Disabled	$V_{CC18} \times 0.65$	—	$V_{CC18} + 0.3$	V
Input Low-level voltage	V_{IL18}		-0.3	—	$V_{CC18} \times 0.35$	V
Positive trigger voltage	V_{T18+}	1.8-V mode, Schmitt Trigger Control Enabled	$V_{CC18} \times 0.4$	—	$V_{CC18} \times 0.7$	V
Negative trigger voltage	V_{T18-}		$V_{CC18} \times 0.3$	—	$V_{CC18} \times 0.6$	V
Hysteresis voltage	ΔV_{T18}		$V_{CC18} \times 0.1$	—	—	V
Output High-level voltage	V_{OH18}	Low, IOH = -2 mA	$V_{CC18} - 0.45$	—	—	V
	V_{OH18}	Middle, IOH = -4 mA	$V_{CC18} - 0.45$	—	—	V
	V_{OH18}	High, IOH = -8 mA	$V_{CC18} - 0.45$	—	—	V
	V_{OH18}	Ultra High, IOH = -12 mA	$V_{CC18} - 0.45$	—	—	V

Table 2.5 DC Characteristics (1.8-V mode) (2 of 2)

Item	Symbol	Conditions	Min.	Typ.	Max.	Unit	
Output Low-level voltage	V_{OL18}	Low, IOL = 2 mA	—	—	0.45	V	
	V_{OL18}	Middle, IOL = 4 mA	—	—	0.45	V	
	V_{OL18}	High, IOL = 8 mA	—	—	0.45	V	
	V_{OL18}	Ultra High, IOL = 12 mA	—	—	0.45	V	
Input leakage current	$ I_{in} $	$V_{in} = 0\text{ V}$, $V_{in} = V_{CC18}$	—	—	10	μA	
Three-State leakage current (off state)	$ I_{TSI} $	$V_{in} = 0\text{ V}$, $V_{in} = V_{CC18}$	—	—	10	μA	
Input Pull-up resistors resistance	R_{pu}	$V_{in} = 0\text{ V}$	15	—	300	$\text{k}\Omega$	
Input Pull-up resistors current	I_{pu}	$V_{in} = 0\text{ V}$	-120	—	-6	μA	
Input Pull-down resistors resistance	R_{pd}	$V_{in} = V_{CC18}$	15	—	300	$\text{k}\Omega$	
Input Pull-down resistors current	I_{pd}	$V_{in} = V_{CC18}$	6	—	120	μA	
Input Capacitance	BGA package	C_{in}	All input/output and input pins	—	—	10	pF
	QFP package					13	

Table 2.6 USB2.0 USB_RREF Pin

Item	Symbol	Conditions	Min.	Typ.	Max.	Unit
Reference resistor*1	R_{REF}	—	1.8 ($\pm 1\%$)			$\text{k}\Omega$

Note 1. The reference resistor connected to the USB_RREF pin is for external connection to this LSI.

Table 2.7 USB2.0 Pull-Up/Pull-Down Resistors

Item	Symbol	Conditions	Min.	Typ.	Max.	Unit
USB_DP pull-up resistor (when the function controller is selected)	R_{PU}	Idle	0.900	—	1.575	$\text{k}\Omega$
		Transmission/reception	1.425	—	3.090	$\text{k}\Omega$
USB_DP/USB_DM pull-down resistors (when the host controller is selected)	R_{PD}	—	14.25	—	24.80	$\text{k}\Omega$

Table 2.8 USB2.0 Host/Function-Related Pins (Low/Full Speed)

Item	Symbol	Conditions	Min.	Typ.	Max.	Unit
Input high level voltage	V_{FSIH}	—	2.0	—	—	V
Input low level voltage	V_{FSIL}	—	—	—	0.8	V
Differential input sensitivity	V_{FSDI}	$ (USB_DP) - (USB_DM) $	0.2	—	—	V
Differential common mode range	V_{FSCM}	—	0.8	—	2.5	V
Output low level voltage	V_{FSOL}	IFSOL = 2 mA	0.0	—	0.3	V
Output high level voltage	V_{FSOH}	IFSOH = -200 μA	2.8	—	3.6	V
Output signal crossover voltage	V_{FSCRS}	—	1.3	—	2.0	V

Table 2.9 USB2.0 Host/Function-Related Pins (High Speed) (1 of 2)

Item	Symbol	Conditions	Min.	Typ.	Max.	Unit
Squelch detection threshold voltage (differential voltage)	V_{HSSQ}	—	100	—	150	mV
Disconnection detection threshold voltage (differential voltage)	V_{HSDSC}	—	525	—	625	mV
Common mode voltage range	V_{HSCM}	—	-50	—	500	mV
Idle state	V_{HSOI}	—	-10.0	—	10.0	mV
Output high level voltage	V_{HSOH}	—	360	—	440	mV

Table 2.9 USB2.0 Host/Function-Related Pins (High Speed) (2 of 2)

Item	Symbol	Conditions	Min.	Typ.	Max.	Unit
Output low level voltage	V_{HSOL}	—	-10.0	—	10.0	mV
Chirp J output voltage (differential)	V_{CHIRPJ}	—	700	—	1100	mV
Chirp K output voltage (differential)	V_{CHIRPK}	—	-900	—	-500	mV

Table 2.10 Supply Current

Item	Symbol	Conditions	Min.	Typ.	Max.	Unit
Normal operation	I_{VDD}	ICLK = 200 MHz, CPU0CLK = 800 MHz, CPU1CLK = 800 MHz, $T_j \leq 110^\circ\text{C}$	—	—	660	mA
	I_{VCC33}	*1	—	30	—	mA
	$I_{VCC1833_0}$	*1	—	9	—	mA
	$I_{VCC1833_1}$	*1	—	9	—	mA
	$I_{VCC1833_2}$	*1	—	9	—	mA
	$I_{VCC1833_3}$	*1	—	9	—	mA
	$I_{VCC1833_4}$	*1	—	9	—	mA
	I_{VCC18_PLL0}	—	—	—	6	mA
	I_{VCC18_PLL1}	—	—	—	6	mA
	I_{VCC18_USB}	—	—	—	39	mA
	I_{VCC18_ADC0}	—	—	—	3	mA
	I_{VCC18_ADC1}	—	—	—	3	mA
	I_{VCC18_TSU}	—	—	—	2	mA
I_{VCC33_USB}	—	—	—	6	mA	
Low power consumption mode ^{*2}	I_{VDD}	All modules inactive	—	15	—	mA
	I_{VCC33}	—	—	6	—	mA
	$I_{VCC1833_0}$	—	—	2	—	mA
	$I_{VCC1833_1}$	—	—	2	—	mA
	$I_{VCC1833_2}$	—	—	2	—	mA
	$I_{VCC1833_3}$	—	—	2	—	mA
	$I_{VCC1833_4}$	—	—	2	—	mA
	I_{VCC18_PLL0}	—	—	3.5	—	mA
	I_{VCC18_PLL1}	—	—	0.1	—	mA
	I_{VCC18_USB}	—	—	0.5	—	mA
	I_{VCC18_ADC0}	—	—	0.2	—	mA
	I_{VCC18_ADC1}	—	—	0.2	—	mA
	I_{VCC18_TSU}	—	—	0.1	—	mA
I_{VCC33_USB}	—	—	0.3	—	mA	

Note: These values are reference values. The actual operating current greatly depends on the system (such as unsharpened waveforms due to I/O load and toggle frequency). Be sure to measure these current values in the system.

Note 1. IO supply current (I_{VCC33} , $I_{VCC1833_n}$ (n = 0 to 4)) should be 80 mA or less. (ΣI_{OH} in Table 2.11)

Note 2. All applicable modules are stopped or standby mode with the lowest clock frequency setting, no pull-up/down or operation for all I/O ports, and room temperature.

Table 2.11 Permissible Output Currents

Item	Symbol	Conditions	Min.	Typ.	Max.	Unit
Permissible output low current (max. value per pin)	IOL	All output pins	—	—	12	mA
Permissible output low current (total)	Σ IOL	Sum of all output pins	—	—	80	mA
Permissible output high current (max. value per pin)	IOH	All output pins	—	—	-12	mA
Permissible output high current (total)	Σ IOH	Sum of all output pins	—	—	-80	mA

Note: All output current values shall be within the values in this table to ensure the reliability of this LSI.

Table 2.12 Thermal Resistance value (Reference)

Item	Symbol	Package	Max.	Unit
Thermal Resistance	Θ_{ja}	320 pin FBGA 17 × 17 mm, 0.8-mm pitch	25.0	°C/W
		225 pin FBGA 13 × 13 mm, 0.8-mm pitch	25.3	°C/W
		176 pin LQFP (Exposed Die Pad) 24 × 24 mm, 0.5-mm pitch	15.6	°C/W
		128 pin LQFP (Exposed Die Pad) 20 × 14 mm, 0.5-mm pitch	15.4	°C/W
	Ψ_{jt}	320 pin FBGA 17 × 17 mm, 0.8-mm pitch	0.30	°C/W
		225 pin FBGA 13 × 13 mm, 0.8-mm pitch	0.31	°C/W
		176 pin LQFP (Exposed Die Pad) 24 × 24 mm, 0.5-mm pitch	0.29	°C/W
		128 pin LQFP (Exposed Die Pad) 20 × 14 mm, 0.5-mm pitch	0.30	°C/W

Note: Package thermal resistance values above are based on EIA/JESD51-9 (2s2p) condition and reference only.

2.5 AC Characteristics

Table 2.13 Operating frequency

Parameter	Symbol	Min.	Max.	Unit	
Operating frequency	CPU clock (CPUCLK, n = 0, 1)	f	150 200	600 800	MHz
	System clock (ICLK)		150	200	
	Peripheral module clock H (PCLKH)		150	200	
	Peripheral module clock M (PCLKM)		75	100	
	Peripheral module clock L (PCLKL)		37.5	50	
	Peripheral module clock for ADC (PCLKADC)		18.75	25	
	Peripheral module clock for SCIn (PCLKSCIn, n = 0 to 5)		75	100	
	Peripheral module clock for SPIn (PCLKSPIn, n = 0 to 3)		75	100	
	External bus clock output (CKIO)		18.75	100	
	Ethernet PHY reference clock (ETHn_REFCLK, n = 0 to 2)			25	
	Ethernet PHY reference clock (RMIn_REFCLK, n = 0 to 2)			50	

AC Characteristics are defined in condition of the IO setting (DRCTLm register setting) show in [Table 2.14](#).

Table 2.14 IO setting (DRCTLm register setting) condition

Module	Signal	IO type	Voltage	DRCTLm register			
				DRVn	SRn	SMTn	
Bus	CKIO	SDRAM and High drive	—	3.3 V	High	Fast	—
		Other than the above	—	3.3 V	Middle	Fast	—
	Other than the above		Type A	3.3 V	Middle	Slow	Disable
			Type B	3.3 V	Low	Slow	Disable
DMAC, MTU3, IIC, CANFD, DSMIF	All signals		Type A	3.3 V	Middle	Slow	Disable
			Type B	3.3 V	Low	Slow	Disable
GPT (n = 0 to 17) (m = 0, 1)	GTIOCNnA, GTIOCNnB		Type A	3.3 V	Middle	Slow	Disable
			Type B	3.3 V	Low	Slow	Disable
	GTADSMm, GTADSMm		—	3.3 V	Low	Slow	Disable
SCI, SPI	All signals		—	3.3 V	High	Fast	Disable
xSPI (n = 0, 1; m = 0, 1)	XSPIn_CKP, XSPIn_CKN, XSPIn_IO[7:0], XSPIn_CSm#, XSPIn_DS		—	1.8 V	High	Fast	Disable
			—	3.3 V	High	Fast	Enable
	Other than the above		—	—	Low	Slow	Disable
Ethernet Interface (n = 0 to 2)	ETHn_TXCLK, ETHn_TXD[3:0]		—	1.8 V/3.3 V	High	Fast	Disable
	ETHn_TXER		—	3.3 V	Middle	Fast	—
	ETHn_RXCLK, ETHn_RXD[3:0]		—	1.8 V/3.3 V	—	—	Disable
	ETHn_RXER, ETHn_COL, ETHn_CRS		—	3.3 V	—	—	Disable
	ETHn_REFCLK, RMIn_REFCLK		—	3.3 V	High	Fast	—
	Other than the above		—	—	Low	Slow	Disable
Debug Interface	TRACECLK, TRACECTL, TRACEDATA[7:0], TDO, TMS		—	3.3 V	High	Fast	Disable
	Other than the above		—	—	Low	Slow	Disable
Other than the above			—	—	Low	Slow	Disable

2.5.1 Clock Timing

2.5.1.1 CKIO Pin Output Timing

Table 2.15 CKIO pin output timing

Parameter	Symbol	Conditions	Min.	Typ.	Max.	Unit
CKIO pin output cycle time	t_{CKcyc}	Figure 2.2	10	—	53.4	ns
CKIO pin output high level pulse width	t_{CKH}		$t_{CKcyc} / 2 - t_{CKr}$	—	—	ns
CKIO pin output low level pulse width	t_{CKL}		$t_{CKcyc} / 2 - t_{CKf}$	—	—	ns
CKIO pin output rising time 1	t_{CKr}	CKIO: High drive output Setting	—	—	3.8	ns
CKIO pin output falling time 1	t_{CKf}		—	—	3.8	ns
CKIO pin output rising time 2	t_{CKr}	CKIO: Normal output setting	—	—	9	ns
CKIO pin output falling time 2	t_{CKf}		—	—	9	ns

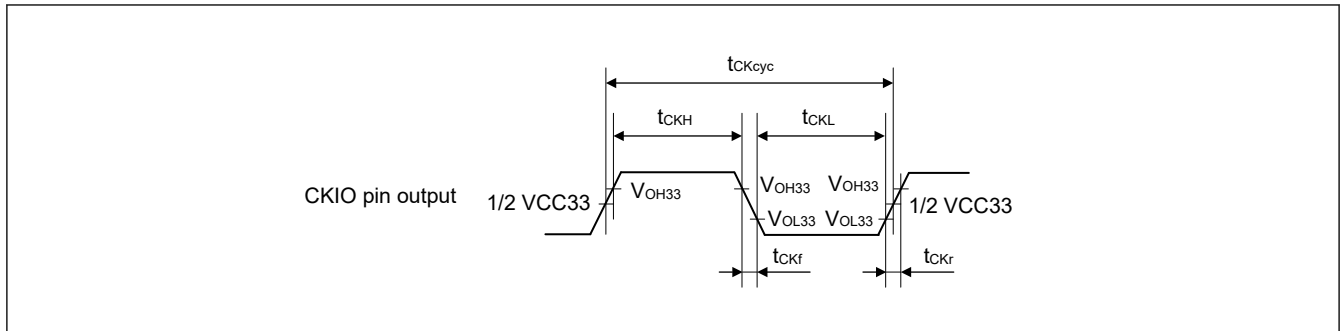


Figure 2.2 CKIO pin output timing

2.5.1.2 Ethernet PHY Reference Clock Output Timing

Conditions:

C = 30 pF (ETHn_REFCLK)

C = 20 pF (RMIIIn_REFCLK)

Table 2.16 Ethernet PHY reference clock output timing

Parameter	Symbol	Conditions	Min.	Typ.	Max.	Unit
ETHn_REFCLK cycle time	t _{CK}	Figure 2.3	40	—	—	ns
ETHn_REFCLK frequency	—		25.00 ± 50 ppm			MHz
ETHn_REFCLK duty	—		45	—	55	%
ETHn_REFCLK rising/falling time	t _{CKr} / t _{CKf}		0.5	—	4.0	ns
RMIIIn_REFCLK cycle time	t _{CK}		20	—	—	ns
RMIIIn_REFCLK frequency	—		50.00 ± 50 ppm			MHz
RMIIIn_REFCLK duty	—		45	—	55	%
RMIIIn_REFCLK rising/falling time	t _{CKr} / t _{CKf}		0.5	—	3.5	ns

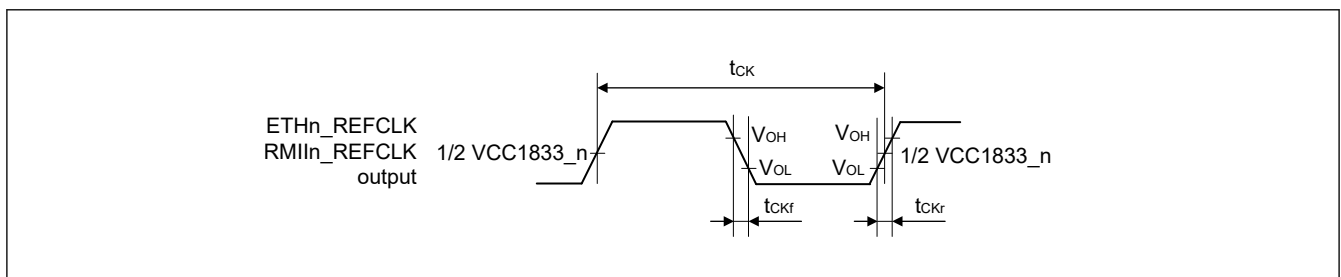


Figure 2.3 Ethernet PHY reference clock output timing

2.5.1.3 EXTCLKIN External Clock Input

Table 2.17 EXTCLKIN clock timing

Parameter	Symbol	Conditions	Min.	Typ.	Max.	Unit
EXTCLKIN external clock frequency	f _{EXTCLKIN}	—	25.00 ± 50 ppm			MHz
		EtherCAT in use	25.00 ± 25 ppm			MHz
EXTCLKIN duty	Γ _{EXTCLKIN}	—	±5%			—
EXTCLKIN rising time	t _{EXTCLKIN}	—	0	—	5	ns
EXTCLKIN falling time	t _{EXTCLKIN}	—	0	—	5	ns

Note: When using crystal resonator (i.e. EXTA/XTAL clock is used), EXTCLKIN should be driven low.

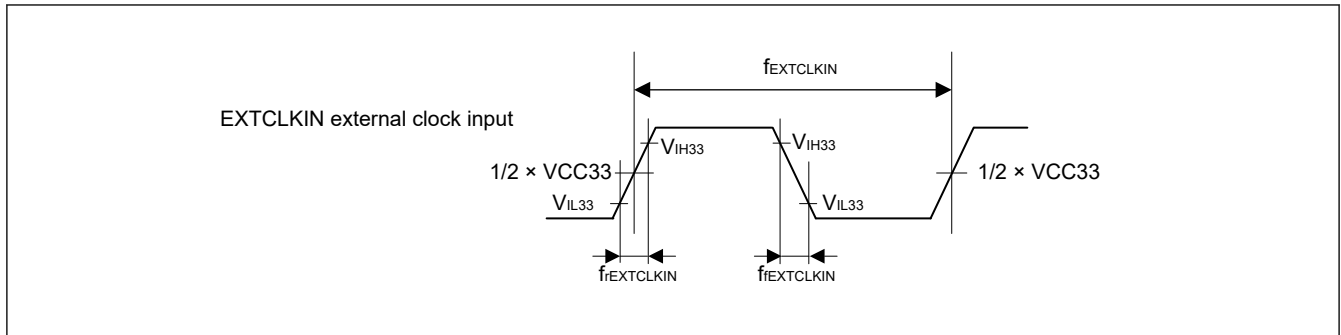


Figure 2.4 EXTCLKIN external clock input timing

2.5.1.4 EXTAL/XTAL Clock Timing

Table 2.18 EXTAL/XTAL clock timing

Parameter	Symbol	Conditions	Min.	Typ.	Max.	Unit
EXTAL/XTAL clock frequency*1	f _{XTAL}	—		25.00 ± 50 ppm		MHz
		EtherCAT in use		25.00 ± 25 ppm		MHz

Note: When using an external oscillator, be sure to leave XTAL open-circuit and make sure that EXTAL is driven low.

Note 1. When using the EXTAL/XTAL clock (i.e. crystal resonator), ask the oscillator manufacturer to evaluate oscillation of the oscillator. For the oscillation stabilization time, see the evaluation result provided by the oscillator manufacturer.

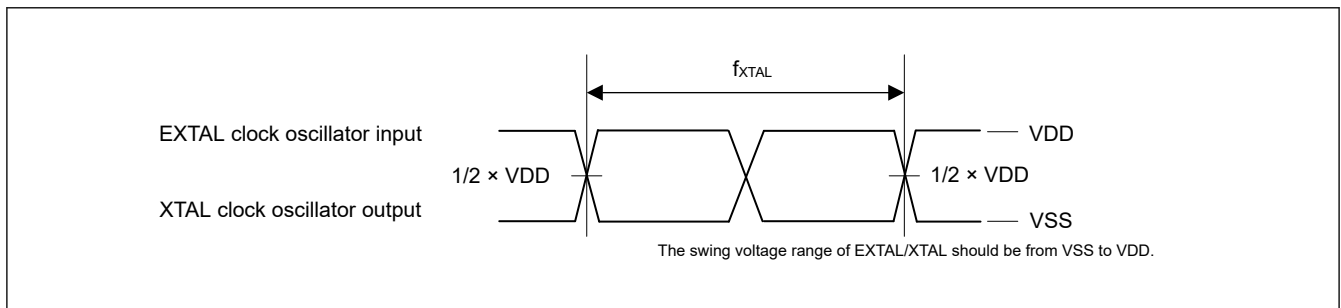


Figure 2.5 EXTAL clock oscillator input and XTAL clock oscillator output timing

2.5.1.5 LOCO Clock Timing

Table 2.19 LOCO clock timing

Parameter	Symbol	Conditions	Min.	Typ.	Max.	Unit
LOCO clock cycle time	t _{Lcyc}	—	4.62	4.17	3.79	µs
LOCO clock oscillation frequency	f _{LOCO}	—	216	240	264	kHz
LOCO clock oscillation stabilization wait time	t _{LOCOWT}	—	—	—	40	µs

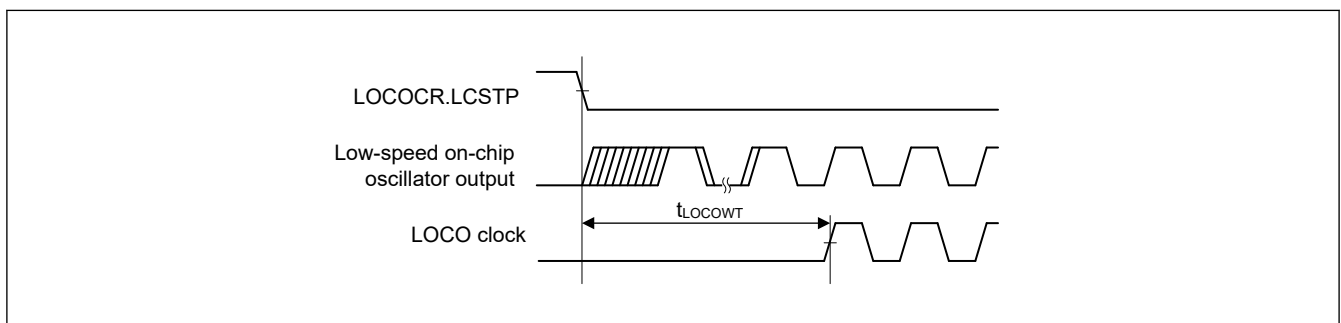


Figure 2.6 LOCO clock oscillation start timing

2.5.2 Reset, Interrupt, and Mode Timing

Table 2.20 Reset, interrupt, and mode timing

Parameter		Symbol	Conditions	Min.*1	Typ.	Max.	Unit
RES# pulse width	At power on	$t_{dlyreset}$	Figure 2.7	10	—	—	ms
	Other than above	$t_{dlyreset2}$		1	—	—	ms
RES# rising time		$t_{risereset}$		—	—	150	μ s
TRST# pulse width	At power on	$t_{dlyreset}$		10	—	—	ms
	Other than above	$t_{dlyreset2}$		1	—	—	ms
TRST# rising time		$t_{risereset}$		—	—	150	μ s
NMI pulse width		t_{NMIW}	Figure 2.8	$t_{cyc} \times 2$	—	—	ns
IRQ pulse width		t_{IRQW}	Figure 2.9	$t_{cyc} \times 2$	—	—	ns
Mode hold time (to RES#)	At power on	t_{MDH}	Figure 2.10	250	—	—	ns

Note 1. t_{cyc} : ICLK cycle

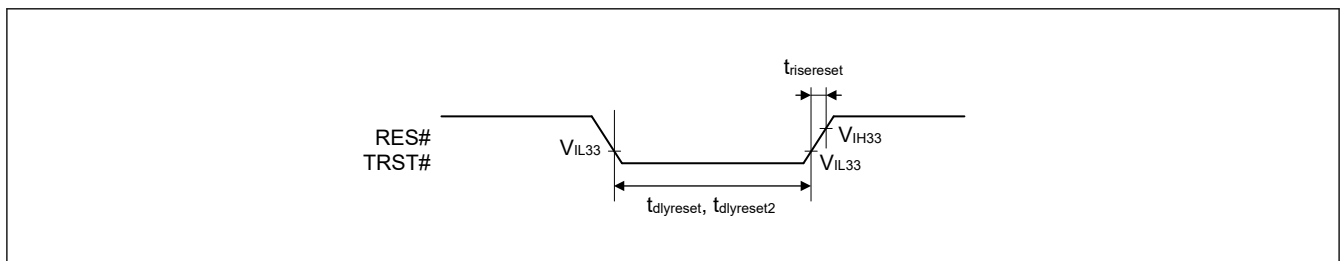


Figure 2.7 Reset input timing

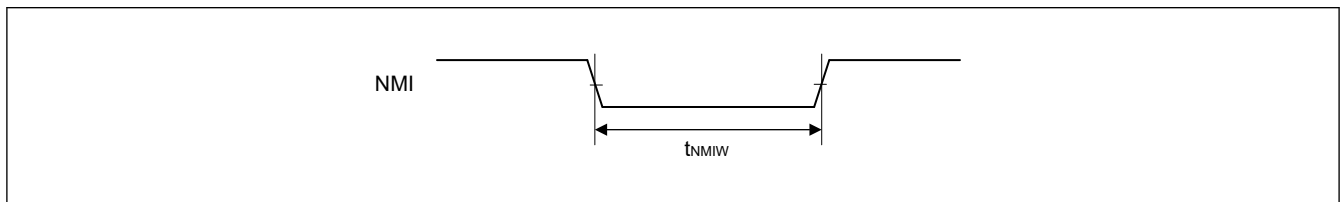


Figure 2.8 NMI interrupt input timing

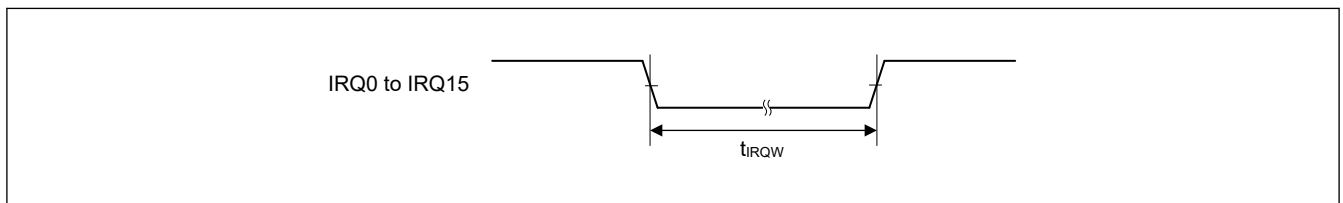


Figure 2.9 IRQ interrupt input timing

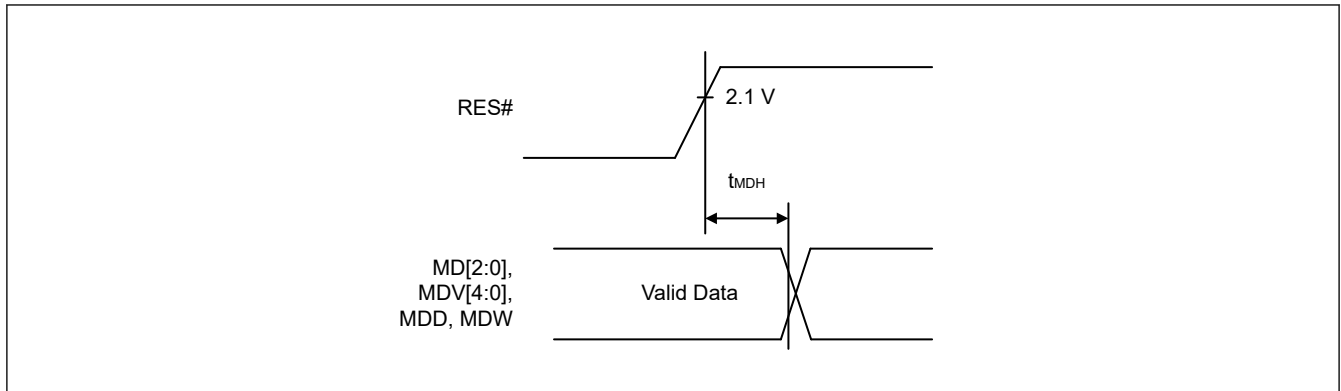


Figure 2.10 Mode input timing

2.5.3 Bus Timing

Table 2.21 Bus timing (1 of 2)

Conditions: $V_{OH} = V_{CC33} \times 0.5$, $V_{OL} = V_{CC33} \times 0.5$, $C = 15$ pF (CKIO), 30 pF (others), $T_{jmin} = -40^{\circ}\text{C}$

Parameter	Symbol	CKIO = $1/t_{CKcyc}^{*1}$ (Max 66 MHz)		Unit	Reference Figure	
		Min.	Max.			
Address delay time 1	SDRAM ^{*2}	t_{AD1}	2	11	ns	Figure 2.11 to Figure 2.35
	Other than the above		0	10	ns	
Address delay time 2		t_{AD2}	$1/2t_{CKcyc}$	$1/2t_{CKcyc} + 10$	ns	Figure 2.18
Address setup time		t_{AS}	0	—	ns	Figure 2.11 to Figure 2.14, Figure 2.18
Chip enable setup time		t_{CS}	0	—	ns	Figure 2.11 to Figure 2.14, Figure 2.18
Address hold time		t_{AH}	0	—	ns	Figure 2.11 to Figure 2.14
BS delay time		t_{BSD}	—	11	ns	Figure 2.11 to Figure 2.32
CSn# delay time 1	SDRAM ^{*2}	t_{CSD1}	2	11	ns	Figure 2.11 to Figure 2.35
	Other than the above		0	10	ns	
Read/write delay time 1	SDRAM ^{*2}	t_{RWD1}	2	11	ns	Figure 2.11 to Figure 2.35
	Other than the above		0	10	ns	
Read strobe delay time		t_{RSD}	$1/2t_{CKcyc}$	$1/2t_{CKcyc} + 10$	ns	Figure 2.11 to Figure 2.18
Read data setup time 1 ^{*3}	High-drive output	t_{RDS1}	$1/2t_{CKcyc} + 4$	—	ns	Figure 2.11 to Figure 2.17
	Normal output		$1/2t_{CKcyc} + 7$	—	ns	
Read data setup time 2 ^{*3}	High-drive output	t_{RDS2}	6.6	—	ns	Figure 2.19 to Figure 2.22, Figure 2.27 to Figure 2.29
Read data setup time 3 ^{*3}	High-drive output	t_{RDS3}	$1/2t_{CKcyc} + 4$	—	ns	Figure 2.18
	Normal output		$1/2t_{CKcyc} + 7$	—	ns	
Read data hold time 1		t_{RDH1}	0	—	ns	Figure 2.11 to Figure 2.17
Read data hold time 2		t_{RDH2}	2.5	—	ns	Figure 2.19 to Figure 2.22, Figure 2.27 to Figure 2.29
Read data hold time 3		t_{RDH3}	0	—	ns	Figure 2.18
Write enable delay time 1		t_{WED1}	$1/2t_{CKcyc}$	$1/2t_{CKcyc} + 10$	ns	Figure 2.11 to Figure 2.16
Write enable delay time 2		t_{WED2}	—	11	ns	Figure 2.17
Write data delay time 1		t_{WDD1}	—	11	ns	Figure 2.11 to Figure 2.17

Table 2.21 Bus timing (2 of 2)Conditions: $V_{OH} = V_{CC33} \times 0.5$, $V_{OL} = V_{CC33} \times 0.5$, $C = 15$ pF (CKIO), 30 pF (others), $T_{jmin} = -40^{\circ}\text{C}$

Parameter	Symbol	CKIO = $1/t_{CKcyc}^{*1}$ (Max 66 MHz)		Unit	Reference Figure
		Min.	Max.		
Write data delay time 2	t_{WDD2}	—	11	ns	Figure 2.23 to Figure 2.26, Figure 2.30 to Figure 2.32
Write data hold time 1	t_{WDH1}	1	—	ns	Figure 2.11 to Figure 2.17
Write data hold time 2	t_{WDH2}	2	—	ns	Figure 2.23 to Figure 2.26, Figure 2.30 to Figure 2.32
Write data hold time 4	t_{WDH4}	0	—	ns	Figure 2.11 to Figure 2.15
WAIT# setup time ^{*3}	High-drive output	$1/2t_{CKcyc} + 4.5$	—	ns	Figure 2.12 to Figure 2.18
	Normal output	$1/2t_{CKcyc} + 8$	—	ns	
WAIT# hold time	t_{WTH}	$1/2t_{CKcyc} + 3.5$	—	ns	Figure 2.12 to Figure 2.18
RAS# delay time 1	t_{RASD1}	2	11	ns	Figure 2.19 to Figure 2.35
CAS# delay time 1	t_{CASD1}	2	11	ns	Figure 2.19 to Figure 2.35
DQM delay time 1	t_{DQMD1}	2	11	ns	Figure 2.19 to Figure 2.32
CKE delay time 1	t_{CKED1}	2	11	ns	Figure 2.34
AH# delay time	t_{AHD}	$1/2t_{CKcyc}$	$1/2t_{CKcyc} + 10$	ns	Figure 2.15
Multiplex address delay time	t_{MAD}	—	10	ns	Figure 2.15
Multiplex address hold time	t_{MAH}	1	—	ns	Figure 2.15
Address setup time to AH#	t_{AVVH}	$1/2t_{CKcyc} - 2$	—	ns	Figure 2.15
DACK/TEND delay time	t_{DACD}	See section 2.5.4. DMAC Timing		ns	Figure 2.11 to Figure 2.32

Note: Notation of $1/2t_{CKcyc}$ in the delay time, setup time, and hold time shows 1/2 cycles from the clock rising edge, that is, the reference of clock falling.

Note 1. Take the number of cycles of waiting that suits the system configuration into consideration with regard to the fmax value for CKIO (the external bus clock). When CKIO is running at 50 MHz or a higher frequency, select high drive output.

Note 2. These are values when SDRAM (CSnBCR.TYPE[2:0] = 100b) is selected in the CSn space bus control register (CSnBCR) and high-drive output is selected for CKIO.

Note 3. These are values when high-drive output and normal output are respectively selected for CKIO.

Table 2.22 Bus timing (1 of 2)Conditions: $V_{OH} = V_{CC33} \times 0.5$, $V_{OL} = V_{CC33} \times 0.5$, $C = 12$ pF (CKIO), 12 pF (others), $T_{jmin} = -20^{\circ}\text{C}$

Parameter	Symbol	CKIO = $1/t_{CKcyc}^{*1}$ (Max 100 MHz)		Unit	Reference Figure	
		Min.	Max.			
Address delay time 1	SDRAM ^{*2}	t_{AD1}	1.3	8	ns	Figure 2.11 to Figure 2.35
	Other than the above		0	8		
Address delay time 2	t_{AD2}	$1/2t_{CKcyc} - 0.5$	$1/2t_{CKcyc} + 8$	ns	Figure 2.18	
Address setup time	t_{AS}	0	—	ns	Figure 2.11 to Figure 2.14, Figure 2.18	
Chip enable setup time	t_{CS}	0	—	ns	Figure 2.11 to Figure 2.14, Figure 2.18	
Address hold time	t_{AH}	0	—	ns	Figure 2.11 to Figure 2.14	
BS delay time	t_{BSD}	—	8	ns	Figure 2.11 to Figure 2.32	
CSn# delay time 1	SDRAM ^{*2}	t_{CSD1}	1.3	8	ns	Figure 2.11 to Figure 2.35
	Other than the above		0	8		

Table 2.22 Bus timing (2 of 2)Conditions: $V_{OH} = V_{CC33} \times 0.5$, $V_{OL} = V_{CC33} \times 0.5$, $C = 12$ pF (CKIO), 12 pF (others), $T_{jmin} = -20^{\circ}\text{C}$

Parameter	Symbol	CKIO = $1/t_{CKcyc}^{*1}$ (Max 100 MHz)		Unit	Reference Figure	
		Min.	Max.			
Read/write delay time 1	SDRAM ^{*2}	t _{RWD1}	1.3	8	ns	Figure 2.11 to Figure 2.35
	Other than the above		0	8	ns	
Read strobe delay time		t _{RSD}	$1/2t_{CKcyc}$	$1/2t_{CKcyc} + 8$	ns	Figure 2.11 to Figure 2.18
Read data setup time 1 ^{*3}	High-drive output	t _{RDS1}	$1/2t_{CKcyc} + 4.5$	—	ns	Figure 2.11 to Figure 2.17
	Normal output		$1/2t_{CKcyc} + 7$	—	ns	
Read data setup time 2 ^{*3}	High-drive output	t _{RDS2}	3.5	—	ns	Figure 2.19 to Figure 2.22, Figure 2.27 to Figure 2.29
Read data setup time 3 ^{*3}	High-drive output	t _{RDS3}	$1/2t_{CKcyc} + 4.5$	—	ns	Figure 2.18
	Normal output		$1/2t_{CKcyc} + 7$	—	ns	
Read data hold time 1		t _{RDH1}	0	—	ns	Figure 2.11 to Figure 2.17
Read data hold time 2		t _{RDH2}	2.5	—	ns	Figure 2.19 to Figure 2.22, Figure 2.27 to Figure 2.29
Read data hold time 3		t _{RDH3}	0	—	ns	Figure 2.18
Write enable delay time 1		t _{WED1}	$1/2t_{CKcyc}$	$1/2t_{CKcyc} + 8$	ns	Figure 2.11 to Figure 2.16
Write enable delay time 2		t _{WED2}	—	9	ns	Figure 2.17
Write data delay time 1		t _{WDD1}	—	8	ns	Figure 2.11 to Figure 2.17
Write data delay time 2		t _{WDD2}	—	8	ns	Figure 2.23 to Figure 2.26, Figure 2.30 to Figure 2.32
Write data hold time 1		t _{WDH1}	1	—	ns	Figure 2.11 to Figure 2.17
Write data hold time 2		t _{WDH2}	1.3	—	ns	Figure 2.23 to Figure 2.26, Figure 2.30 to Figure 2.32
Write data hold time 4		t _{WDH4}	0	—	ns	Figure 2.11 to Figure 2.15
WAIT# setup time ^{*3}	High-drive output	t _{WTS}	$1/2t_{CKcyc} + 4.5$	—	ns	Figure 2.12 to Figure 2.18
	Normal output		$1/2t_{CKcyc} + 8$	—	ns	
WAIT# hold time		t _{WTH}	$1/2t_{CKcyc} + 3.5$	—	ns	Figure 2.12 to Figure 2.18
RAS# delay time 1		t _{RASD1}	1.3	8	ns	Figure 2.19 to Figure 2.35
CAS# delay time 1		t _{CASD1}	1.3	8	ns	Figure 2.19 to Figure 2.35
DQM delay time 1		t _{DQMD1}	1.3	8	ns	Figure 2.19 to Figure 2.32
CKE delay time 1		t _{CKED1}	1.3	8	ns	Figure 2.34
AH# delay time		t _{AHD}	$1/2t_{CKcyc}$	$1/2t_{CKcyc} + 8$	ns	Figure 2.15
Multiplex address delay time		t _{MAD}	—	8	ns	Figure 2.15
Multiplex address hold time		t _{MAH}	1	—	ns	Figure 2.15
Address setup time to AH#		t _{AVVH}	$1/2t_{CKcyc} - 2$	—	ns	Figure 2.15
DACK/TEND delay time		t _{DACD}	See section 2.5.4. DMAC Timing		ns	Figure 2.11 to Figure 2.32

Note: Notation of $1/2t_{CKcyc}$ in the delay time, setup time, and hold time shows 1/2 cycles from the clock rising edge, that is, the reference of clock falling.

Note 1. Take the number of cycles of waiting that suits the system configuration into consideration with regard to the f_{max} value for CKIO (the external bus clock). When CKIO is running at 50 MHz or a higher frequency, select high drive output.

Note 2. These are values when SDRAM (CSnBCR.TYPE[2:0] = 100b) is selected in the CSn space bus control register (CSnBCR) and high-drive output is selected for CKIO.

Note 3. These are values when high-drive output and normal output are respectively selected for CKIO.

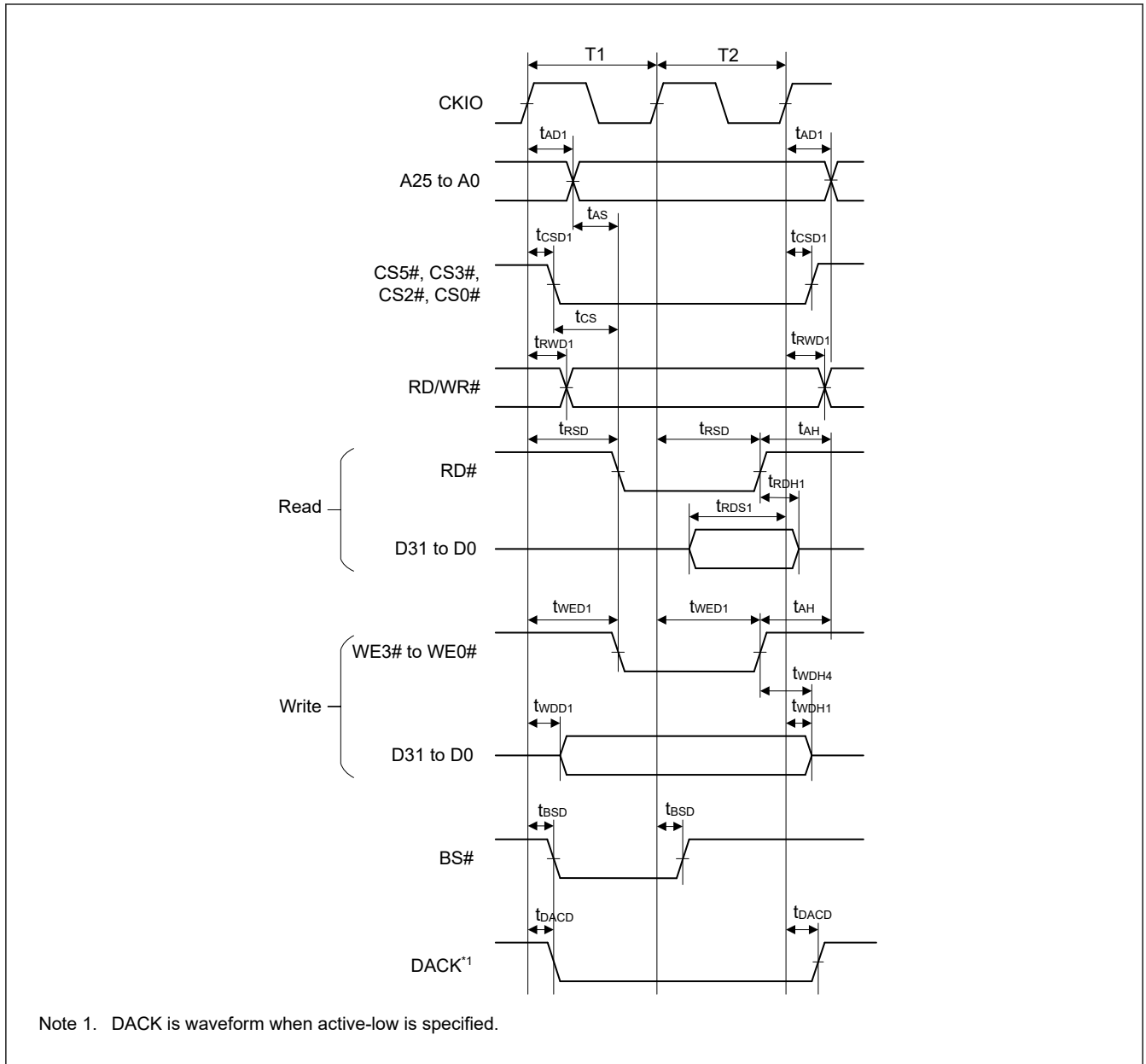


Figure 2.11 SRAM interface basic bus cycle (no wait)

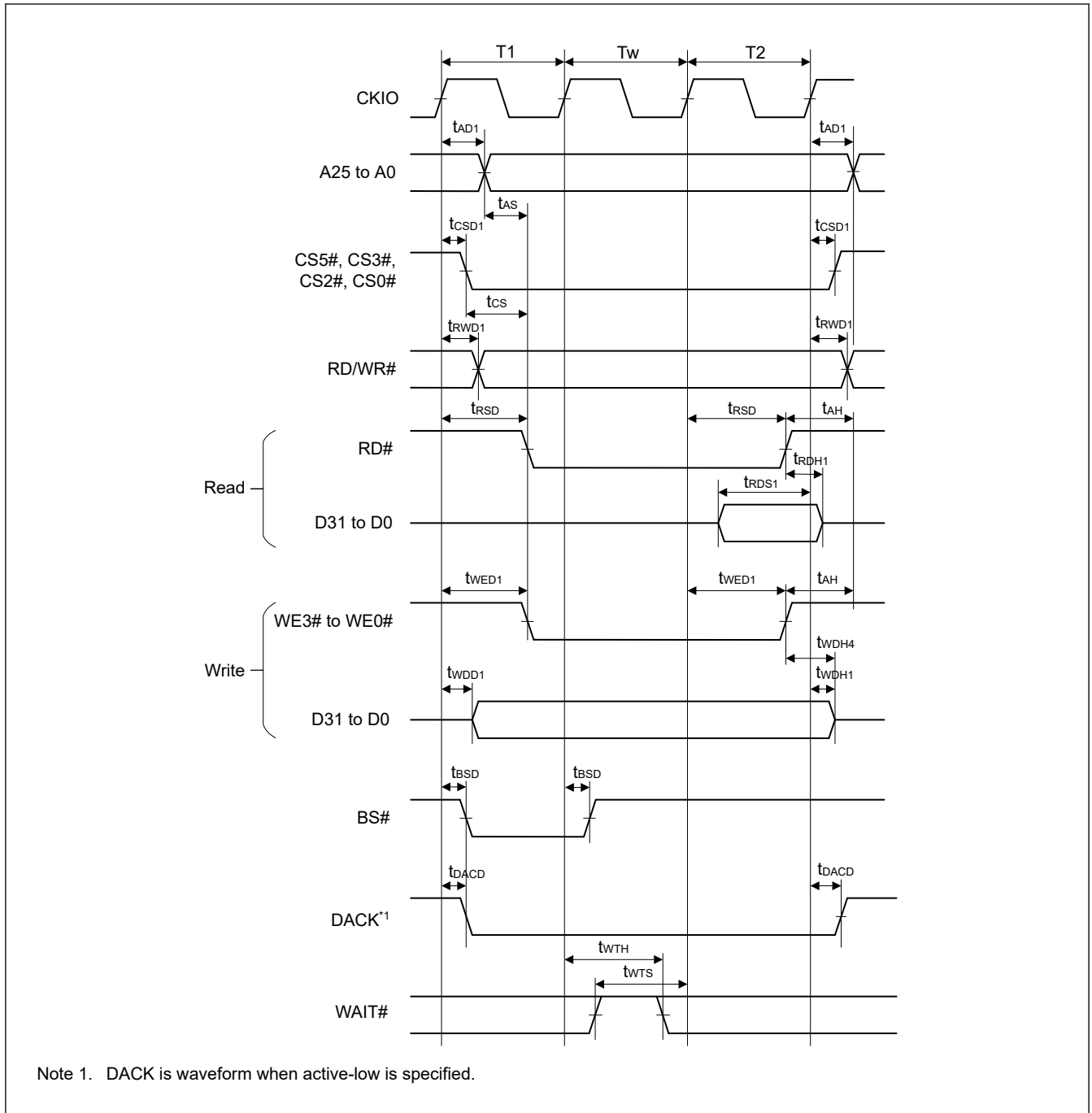


Figure 2.12 SRAM interface basic bus cycle (software wait 1)

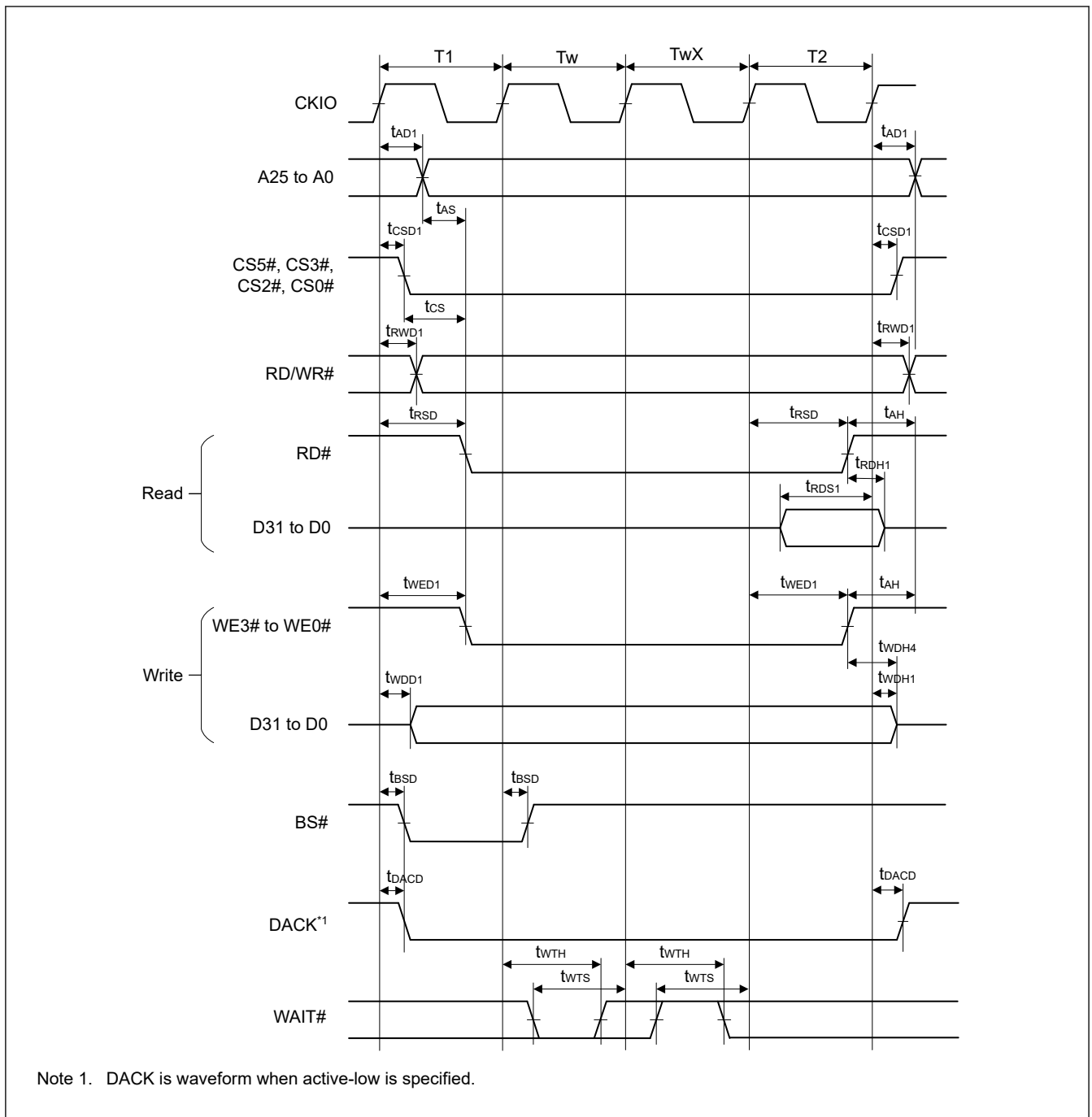


Figure 2.13 SRAM interface basic bus cycle (software wait 1, external wait 1 inserted)

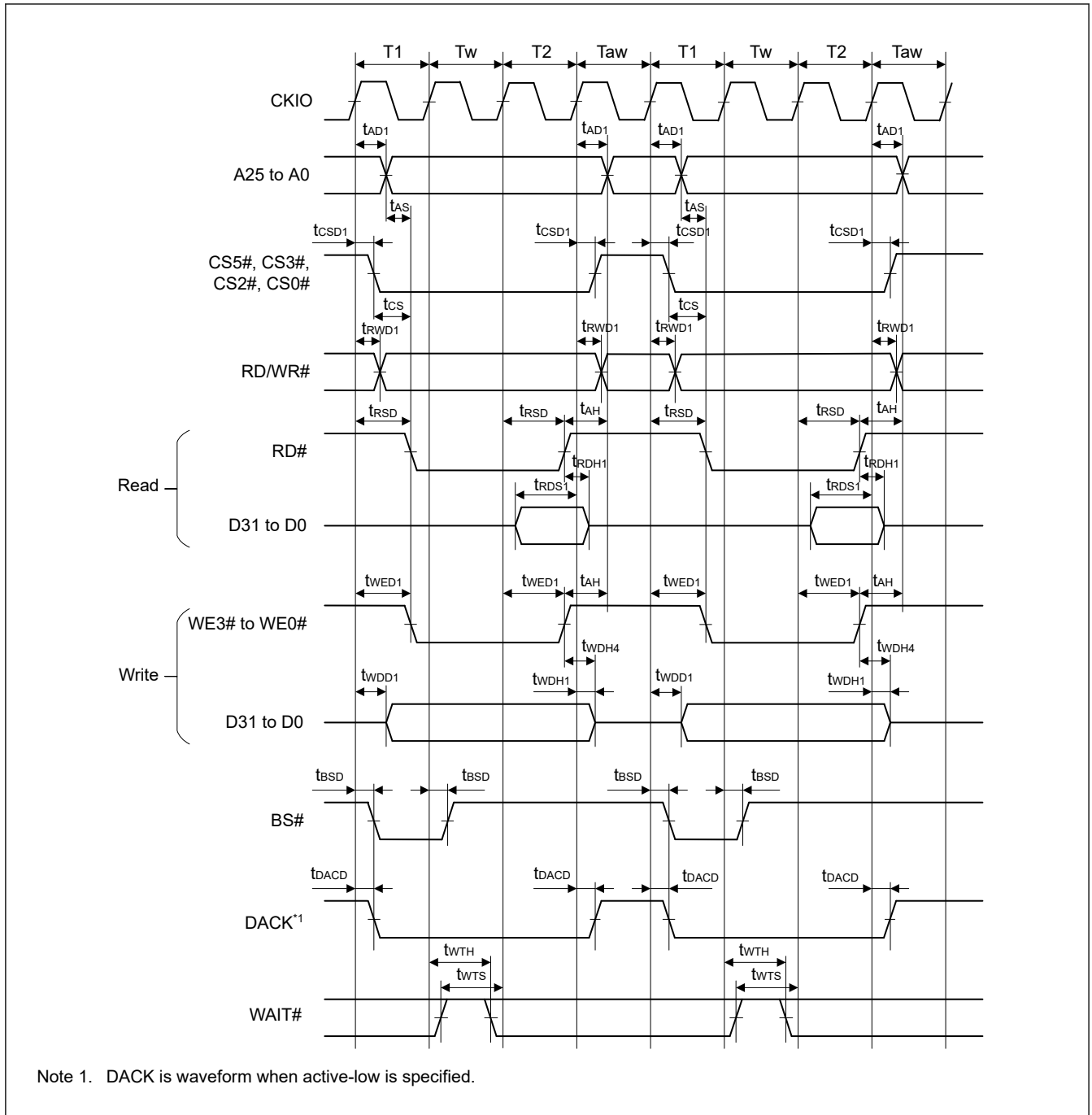


Figure 2.14 SRAM interface basic bus cycle (software wait 1, external wait enabled (WM = 0), no idle cycle)

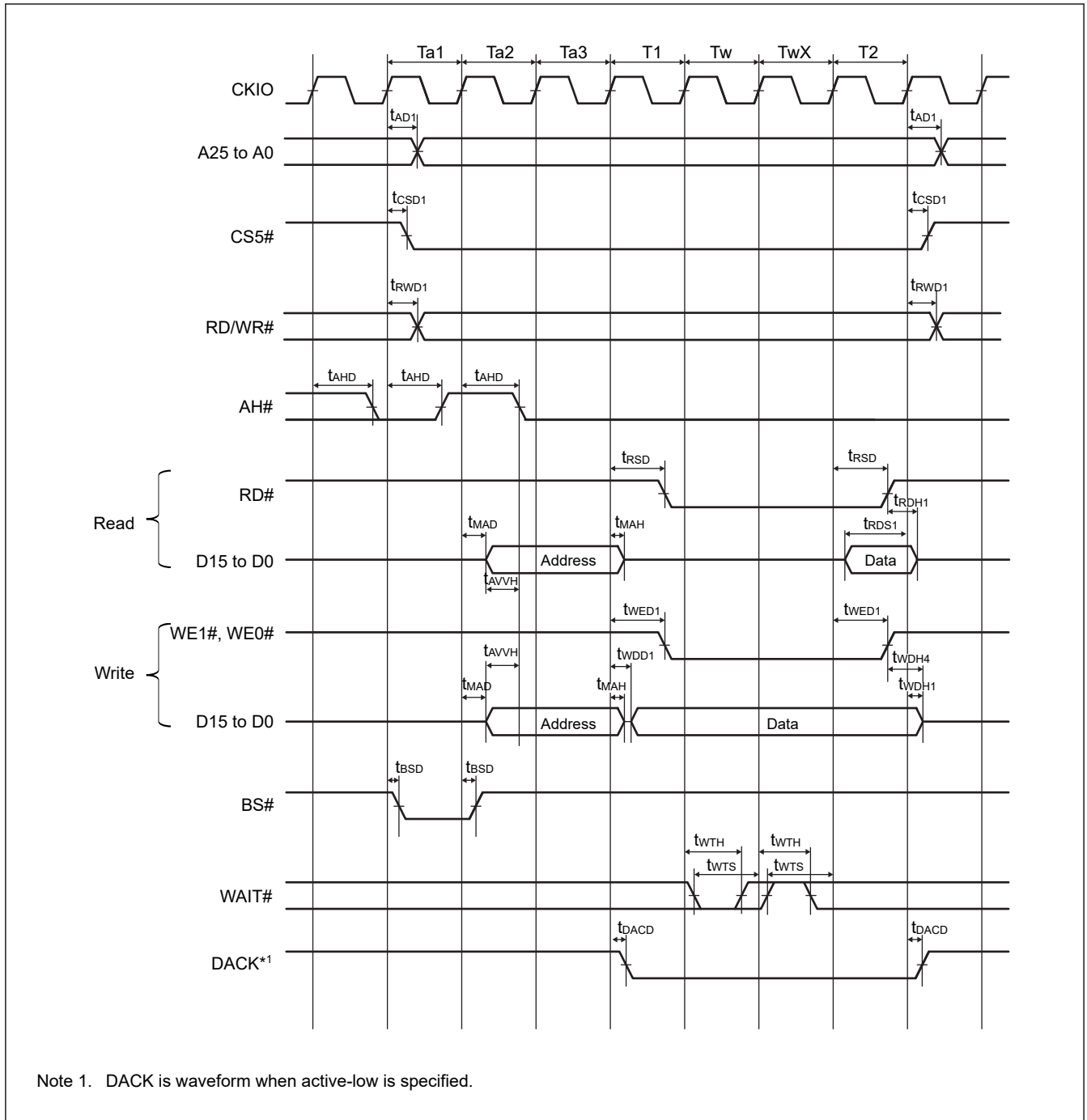


Figure 2.15 MPX-I/O interface bus cycle (address cycle 3, software wait 1, external wait 1 inserted)

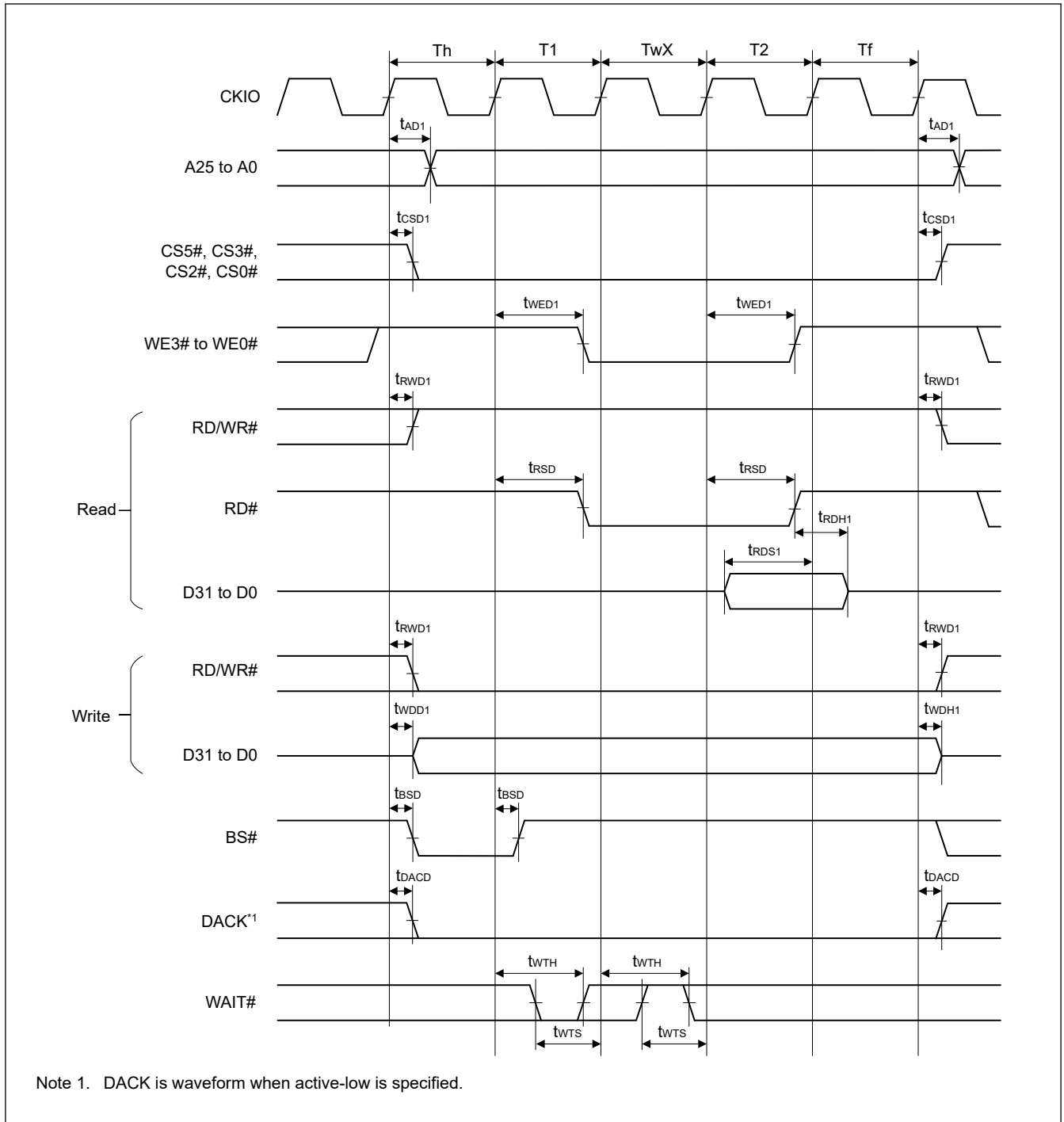


Figure 2.16 SRAM bus cycle with byte selection (SW = 1 cycle, HW = 1 cycle, asynchronous external wait 1 inserted, BAS = 0 (write cycle UB/LB control))

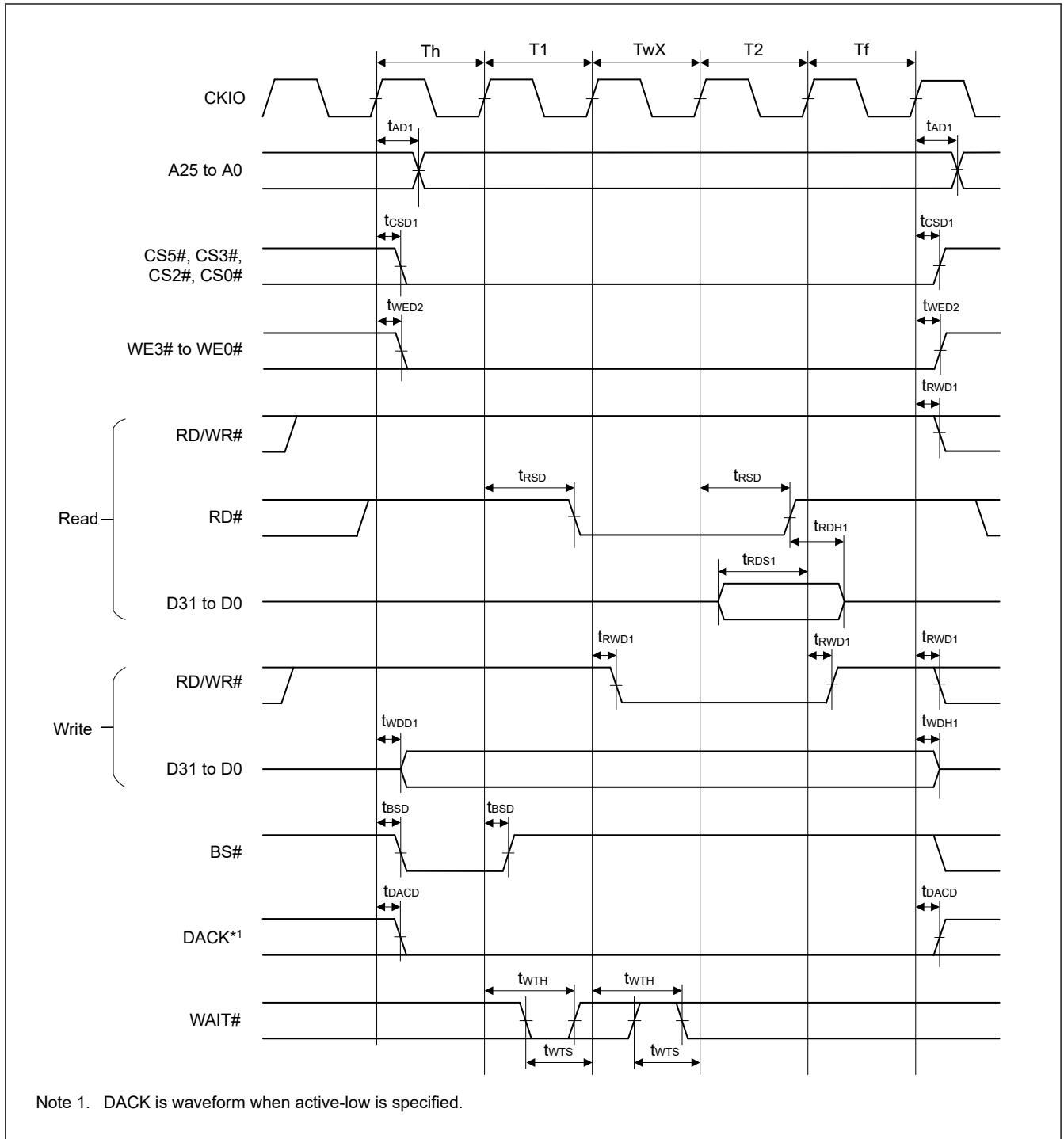


Figure 2.17 SRAM bus cycle with byte selection (SW = 1 cycle, HW = 1 cycle, asynchronous external wait 1 inserted, BAS = 1 (write cycle WE control))

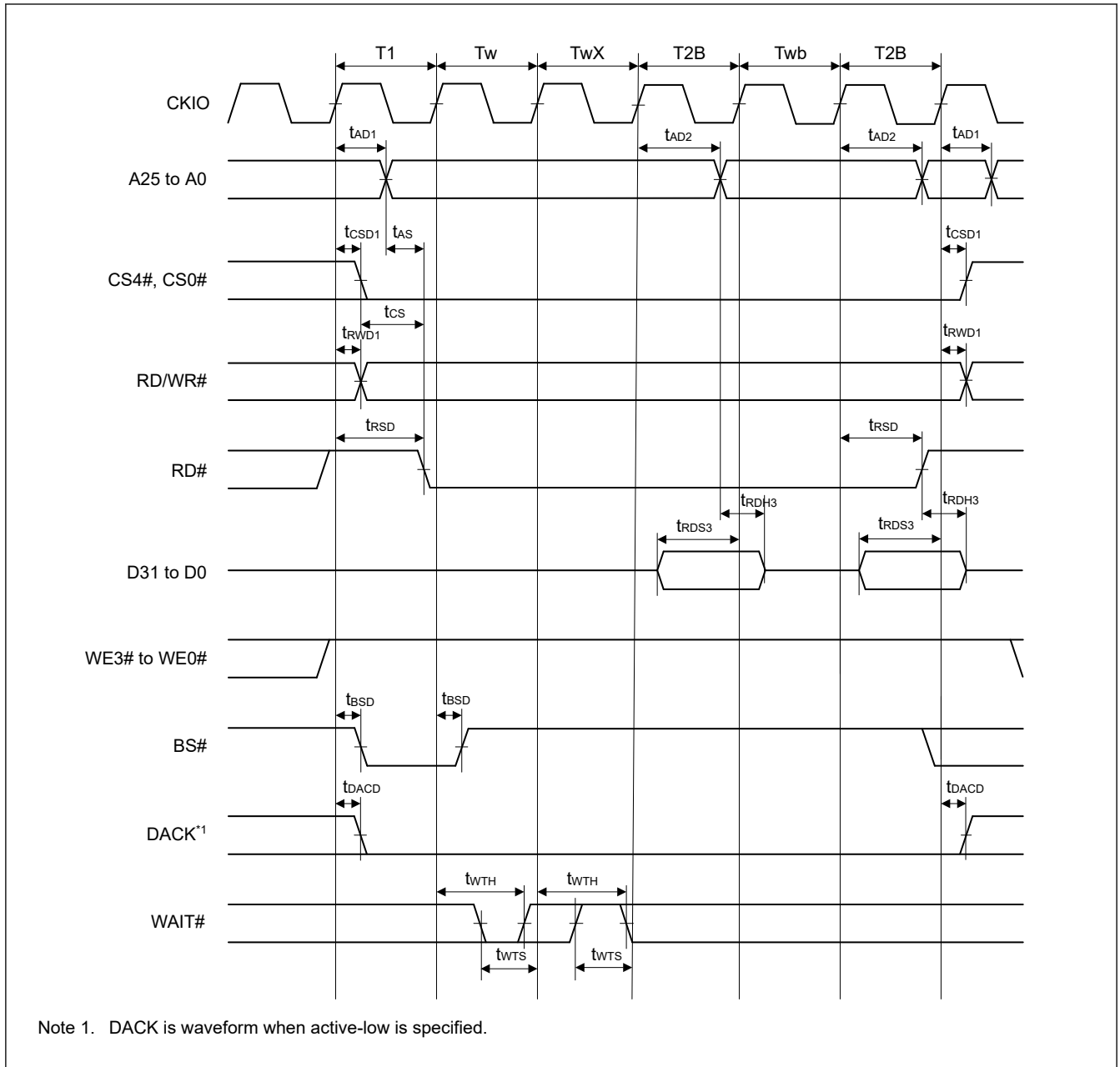


Figure 2.18 Burst ROM read cycle (software wait 1, asynchronous external wait 1 inserted, burst wait 1, 2)

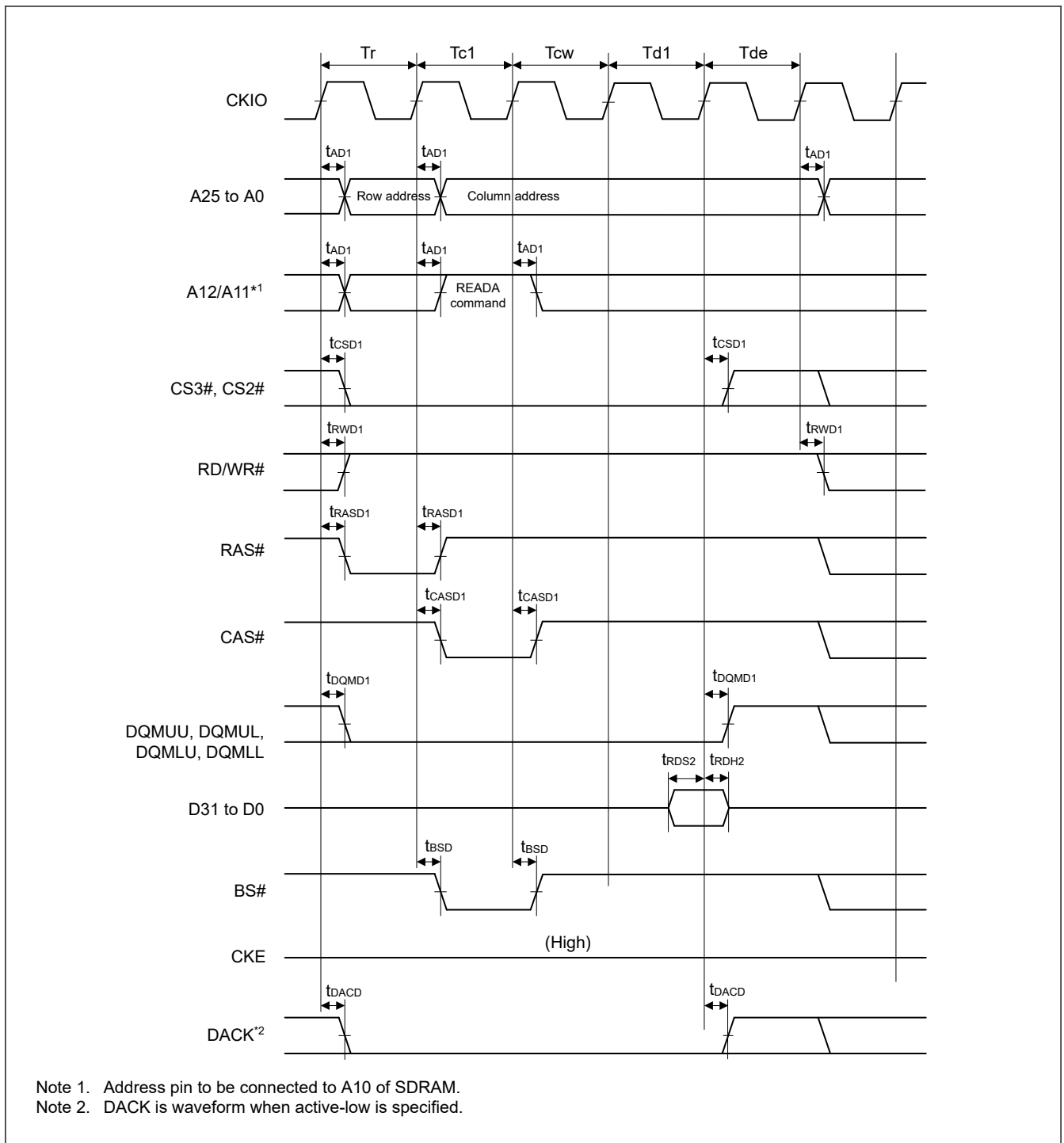


Figure 2.19 Synchronous DRAM single-read bus cycle (with auto precharge, CAS latency 2, WTRCD = 0 cycles, WTRP = 0 cycles)

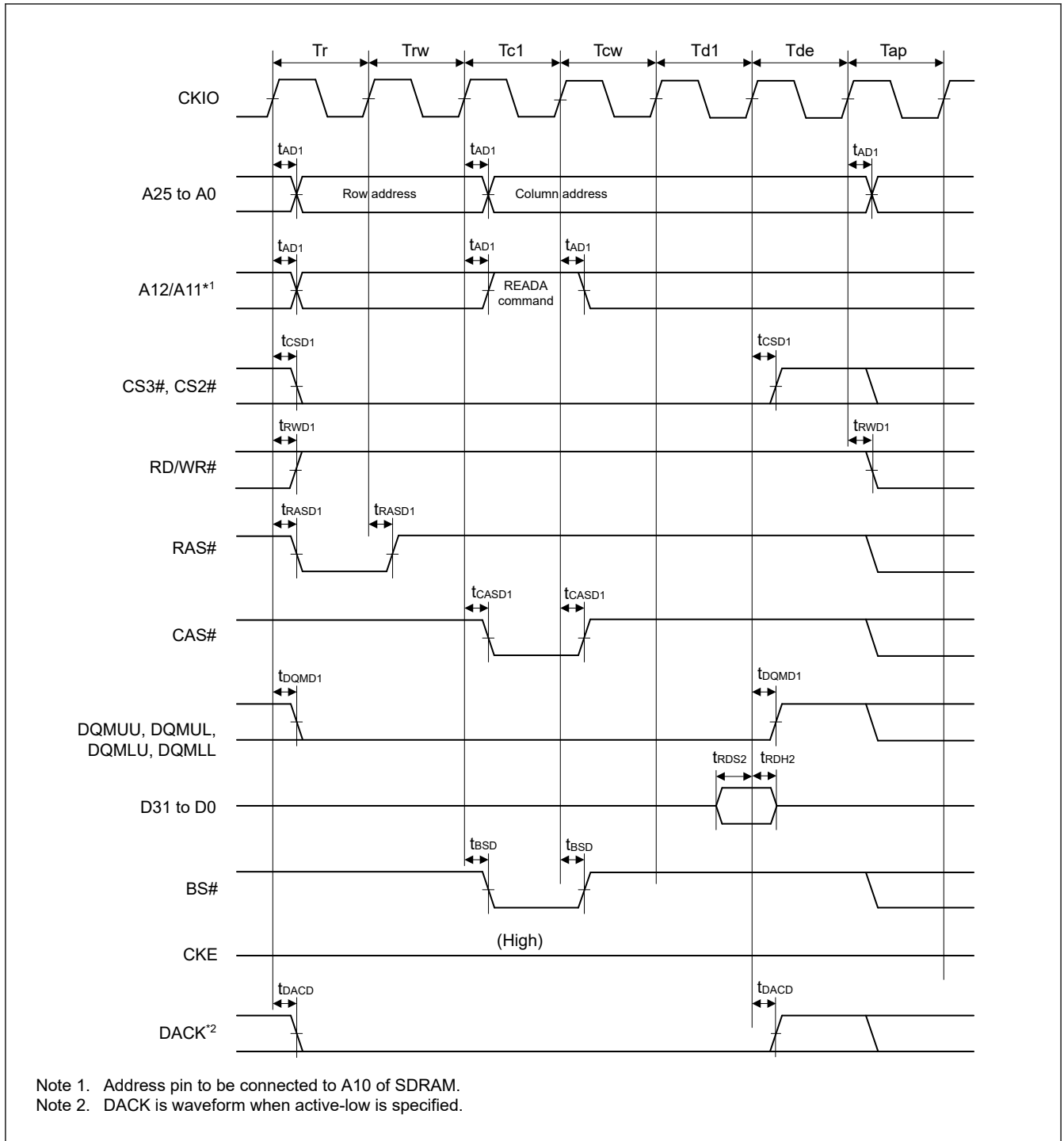


Figure 2.20 Synchronous DRAM single-read bus cycle (with auto precharge, CAS latency 2, WTRCD = 1 cycle, WTRP = 1 cycle)

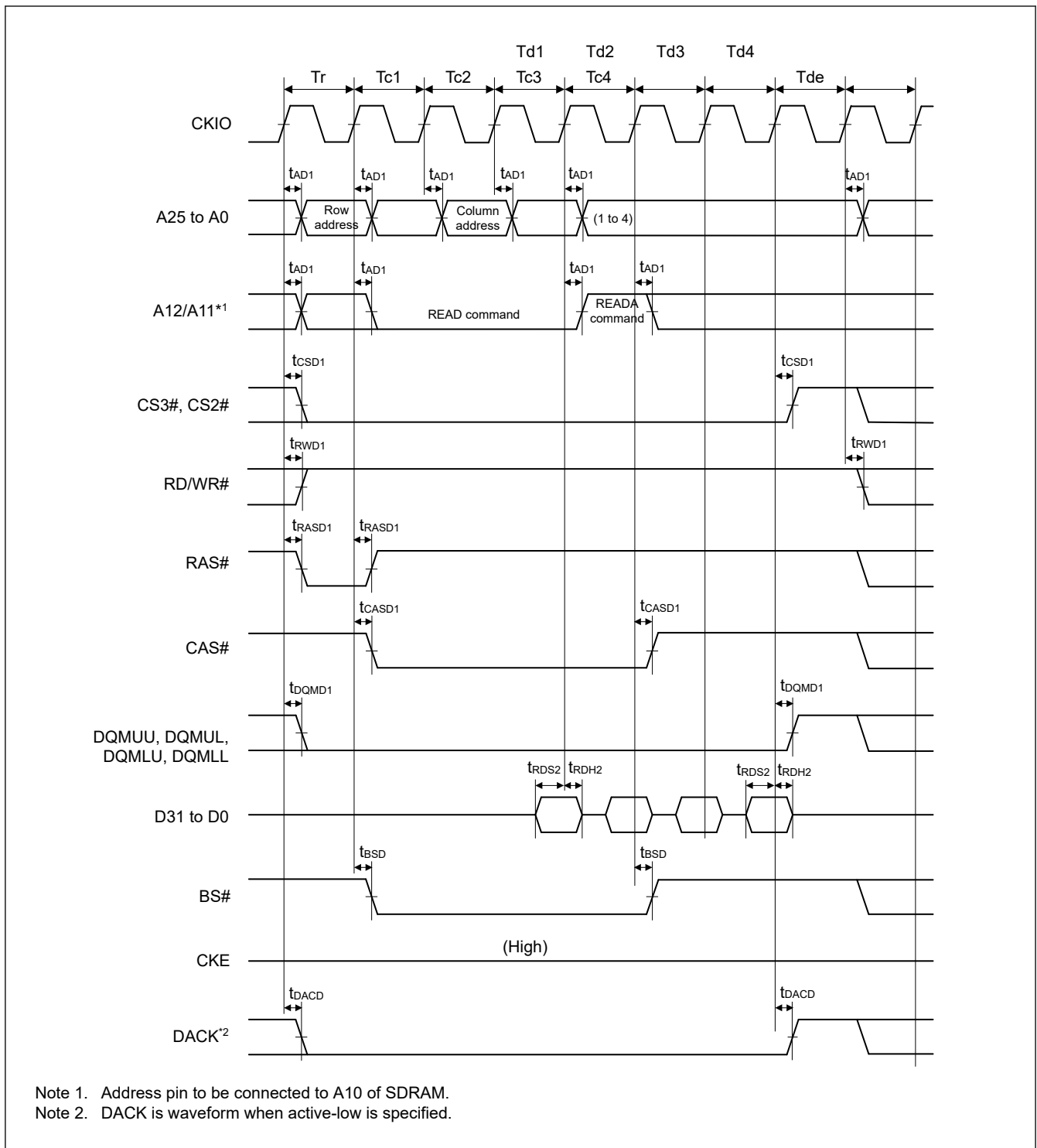


Figure 2.21 Synchronous DRAM burst-read bus cycle (read for 4 cycles) (with auto precharge, CAS latency 2, WTRCD = 0 cycles, WTRP = 1 cycle)

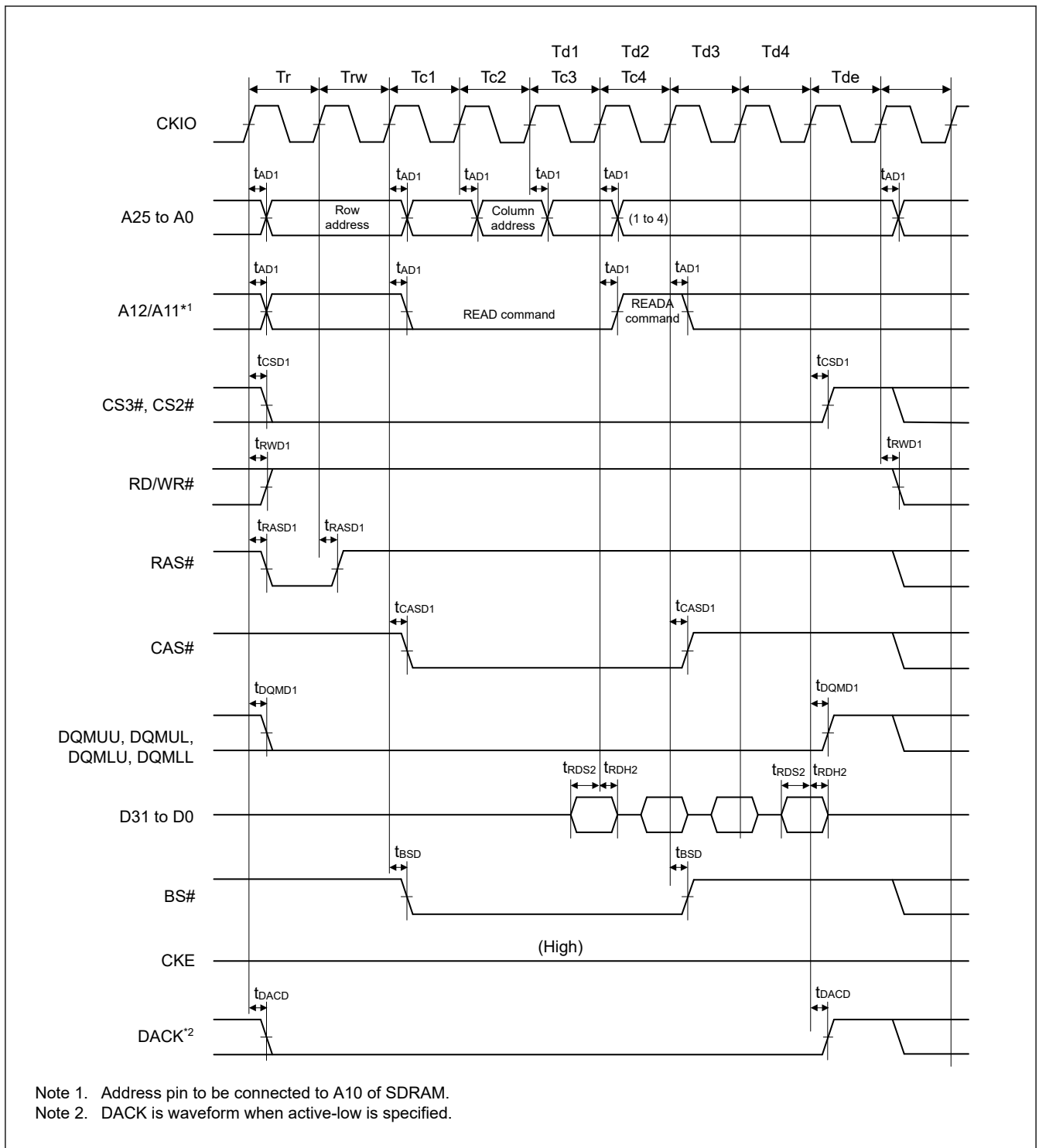


Figure 2.22 Synchronous DRAM burst-read bus cycle (read for 4 cycles) (with auto precharge, CAS latency 2, WTRCD = 1 cycle, WTRP = 0 cycles)

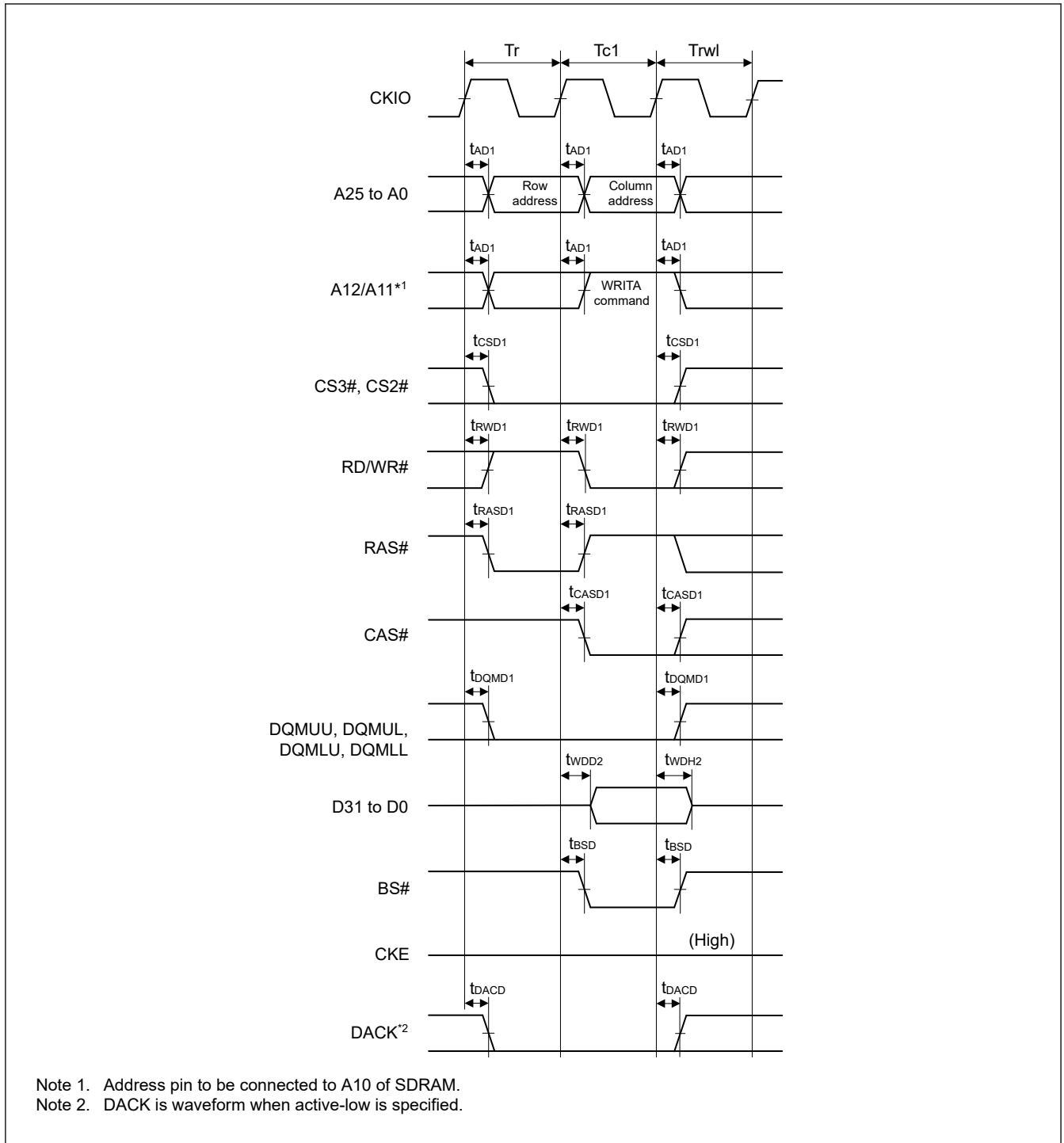


Figure 2.23 Synchronous DRAM single-write bus cycle (with auto precharge, TRWL = 1 cycle)

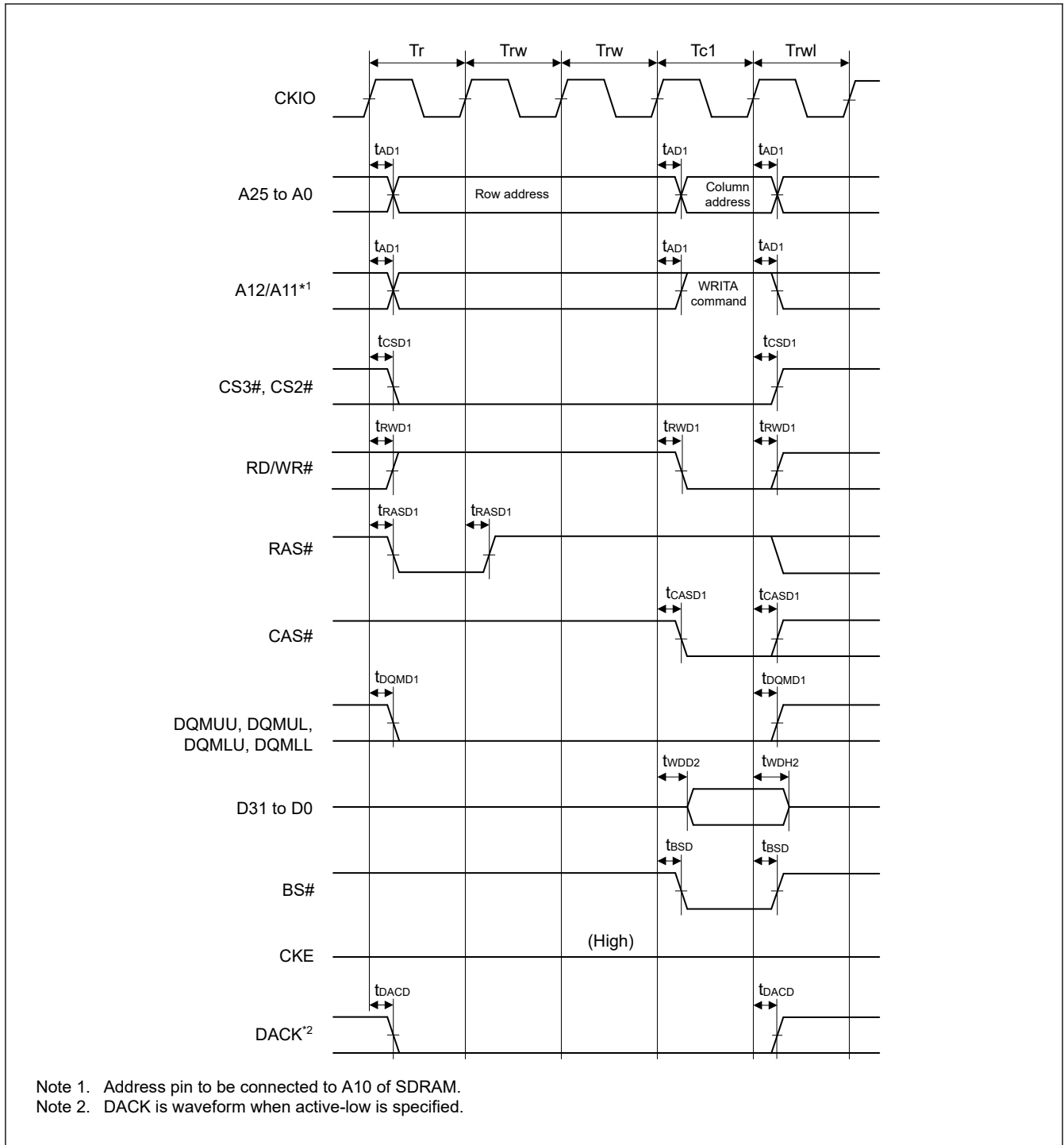
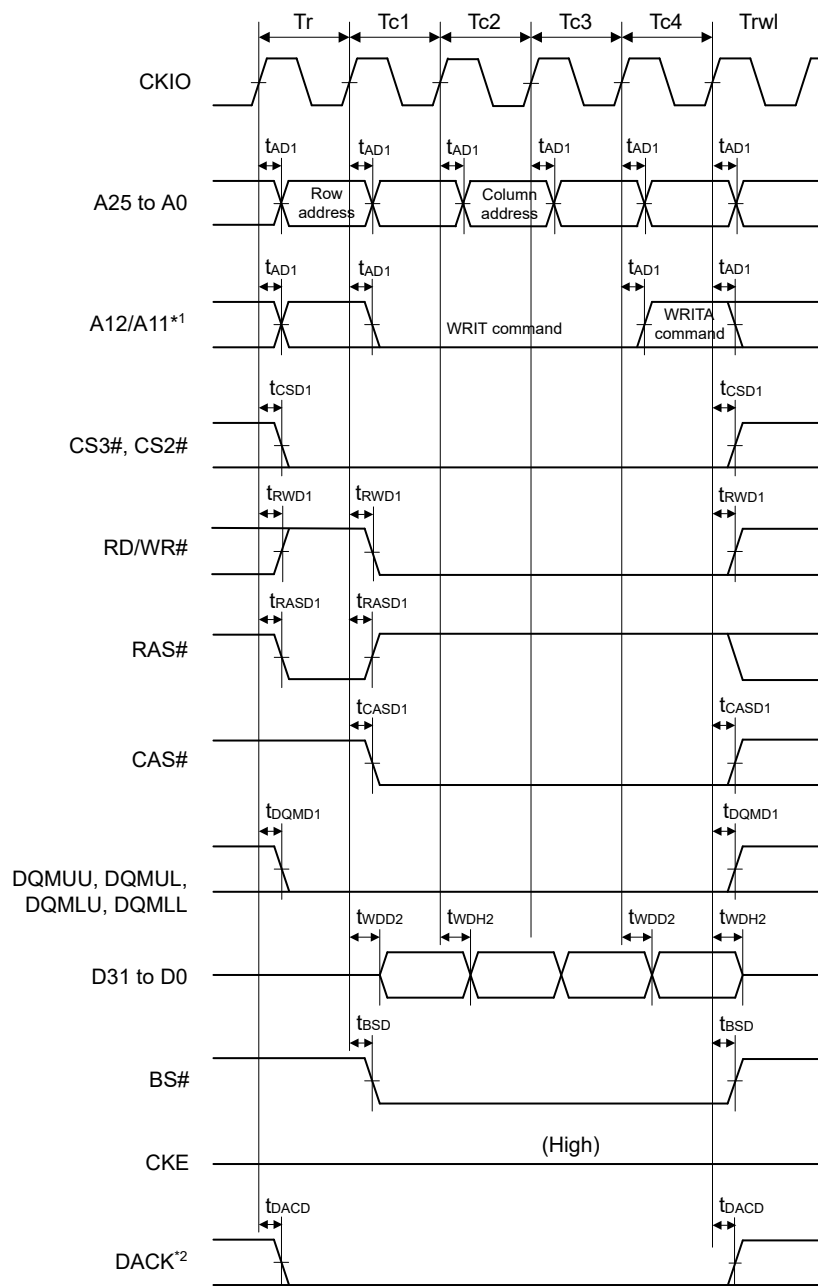


Figure 2.24 Synchronous DRAM single-write bus cycle (with auto precharge, WTRCD = 2 cycles, TRWL = 1 cycle)



Note 1. Address pin to be connected to A10 of SDRAM.
 Note 2. DACK is waveform when active-low is specified.

Figure 2.25 Synchronous DRAM burst-write bus cycle (write for 4 cycles) (with auto precharge, WTRCD = 0 cycles, TRWL = 1 cycle)

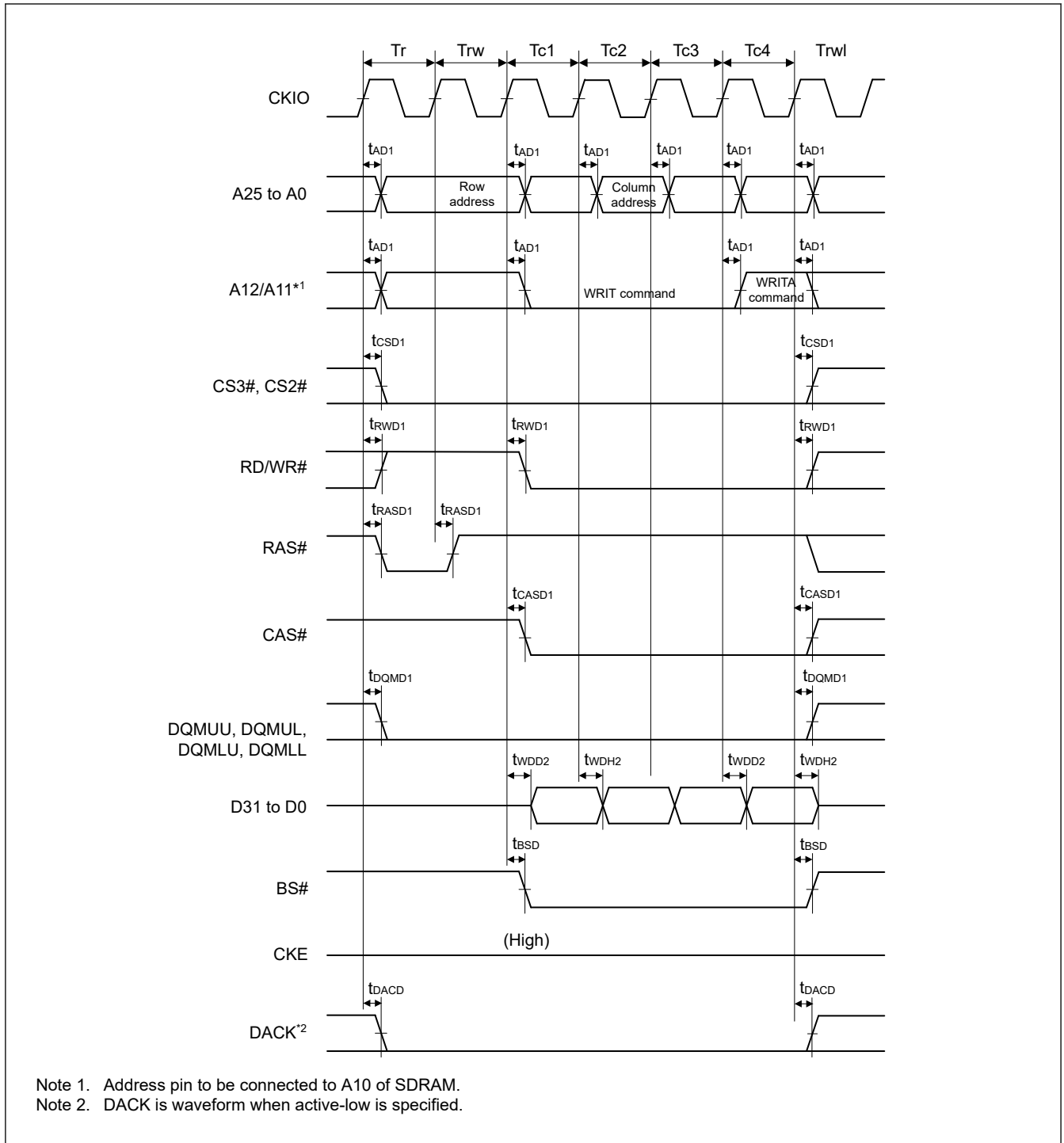


Figure 2.26 Synchronous DRAM burst-write bus cycle (write for 4 cycles) (with auto precharge, WTRCD = 1 cycle, TRWL = 1 cycle)

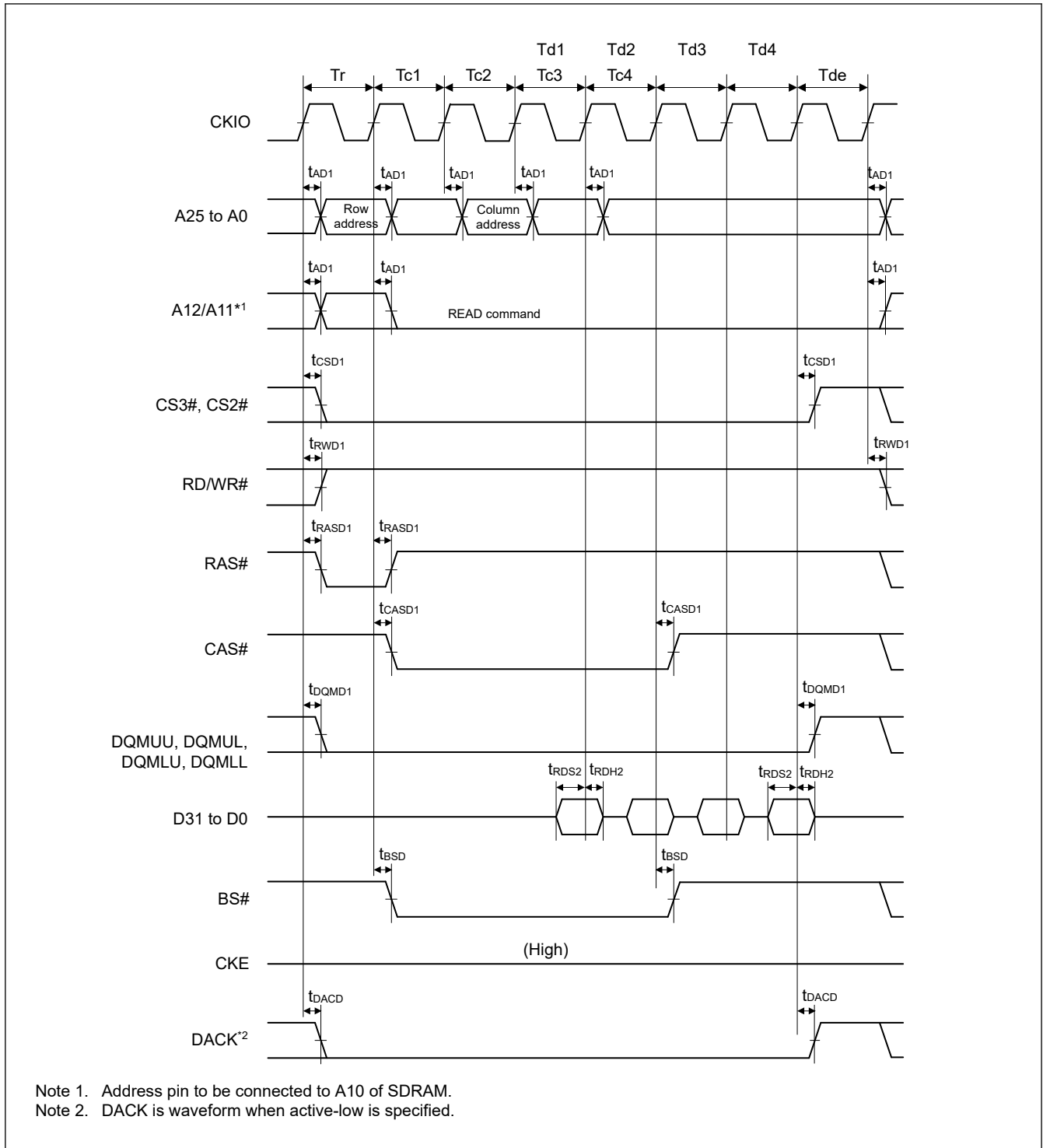


Figure 2.27 Synchronous DRAM burst-read bus cycle (read for 4 cycles) (bank active mode: ACT + READ command, CAS latency 2, WTRCD = 0 cycles)

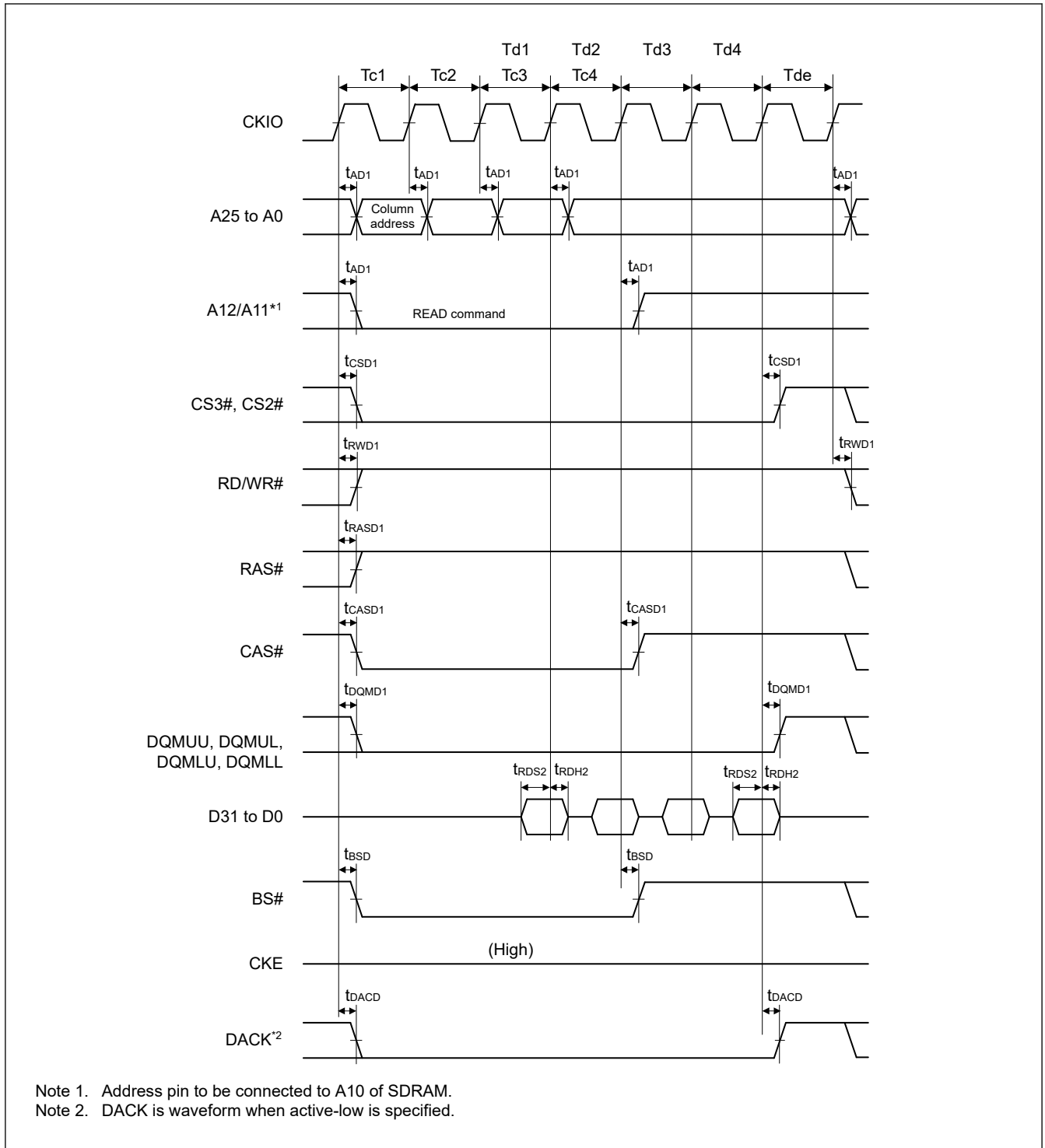


Figure 2.28 Synchronous DRAM burst-read bus cycle (read for 4 cycles) (bank active mode: READ command, same row address, CAS latency 2, WTRCD = 0 cycles)

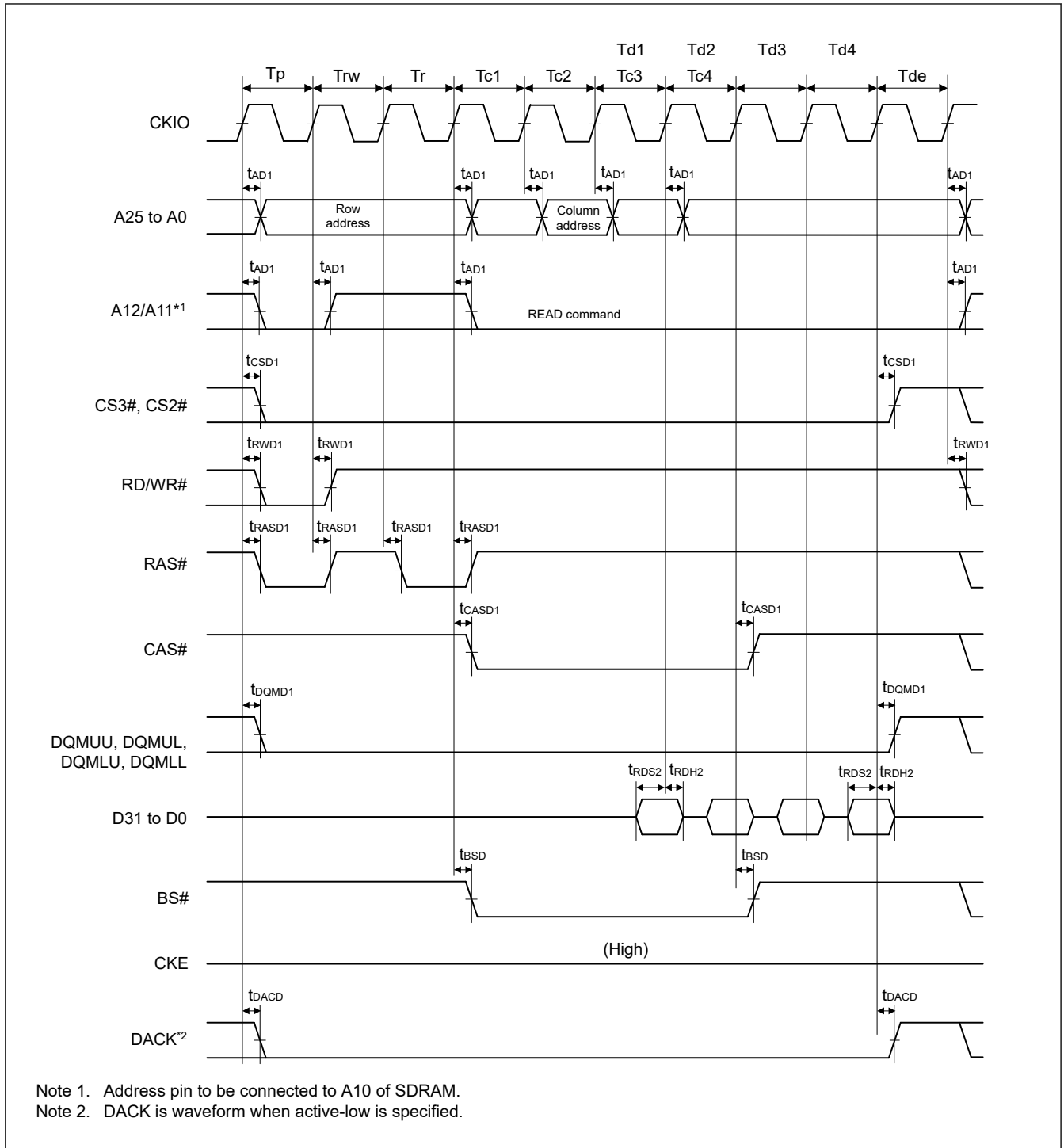
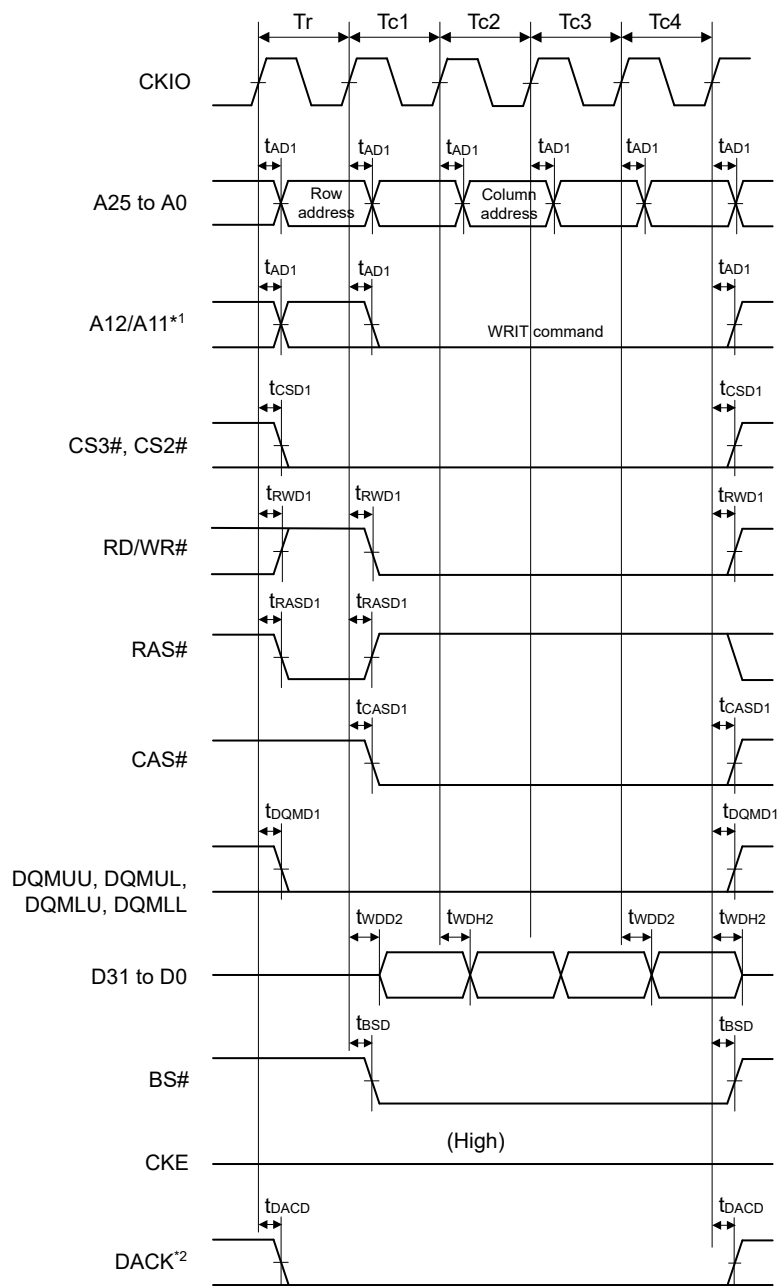
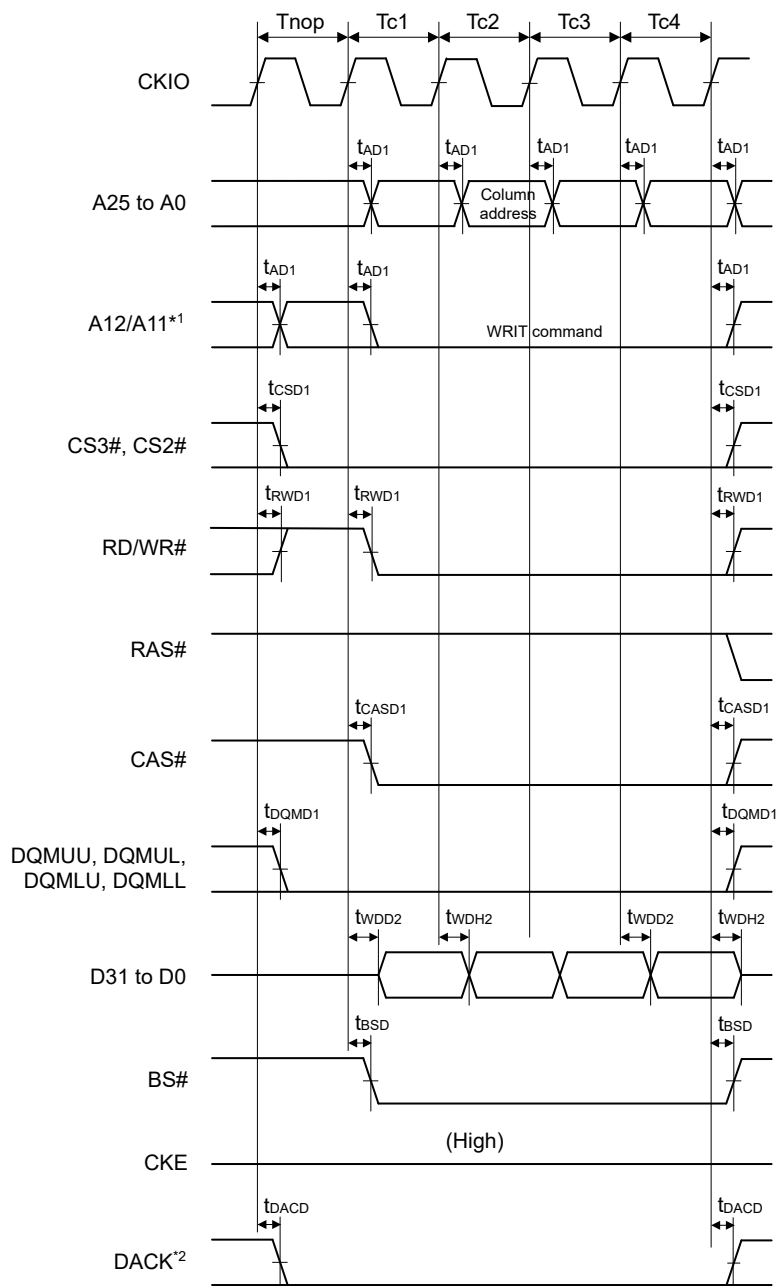


Figure 2.29 Synchronous DRAM burst-read bus Cycle (read for 4 cycles) (bank active mode: PRE + ACT + READ command, different row address, CAS latency 2, WTRCD = 0 cycles)



Note 1. Address pin to be connected to A10 of SDRAM.
 Note 2. DACK is waveform when active-low is specified.

Figure 2.30 Synchronous DRAM burst-write bus cycle (write for 4 cycles) (bank active mode: ACT + WRITE command, WTRCD = 0 cycles, TRWL = 0 cycles)



Note 1. Address pin to be connected to A10 of SDRAM.
 Note 2. DACK is waveform when active-low is specified.

Figure 2.31 Synchronous DRAM burst-write bus cycle (write for 4 cycles) (bank active mode: WRITE command, same row address, WTRCD = 0 cycles, TRWL = 0 cycles)

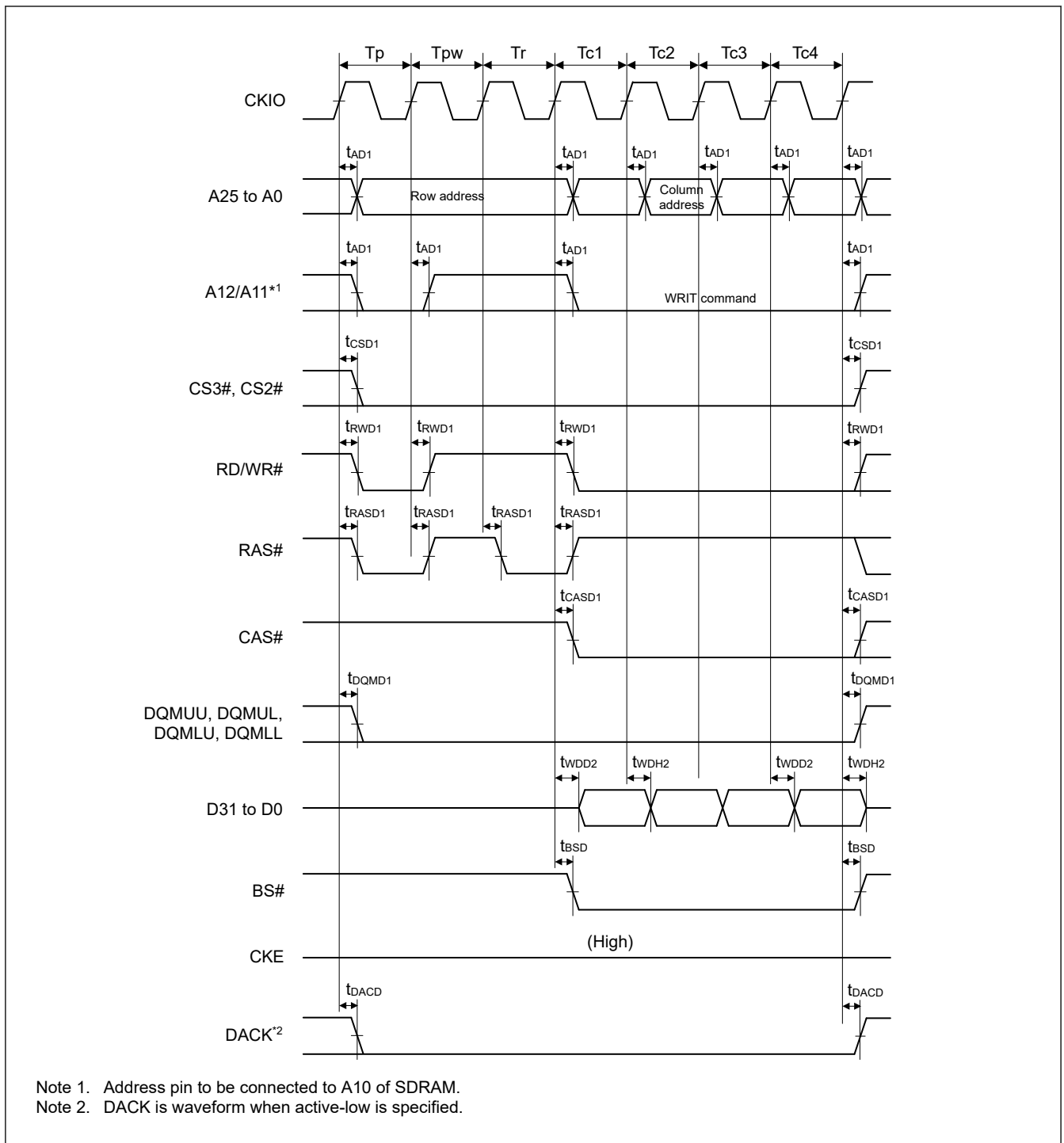


Figure 2.32 Synchronous DRAM burst-write bus cycle (write for 4 cycles) (bank active mode: PRE + ACT + WRITE command, different row address, WTRCD = 0 cycles, TRWL = 0 cycles)

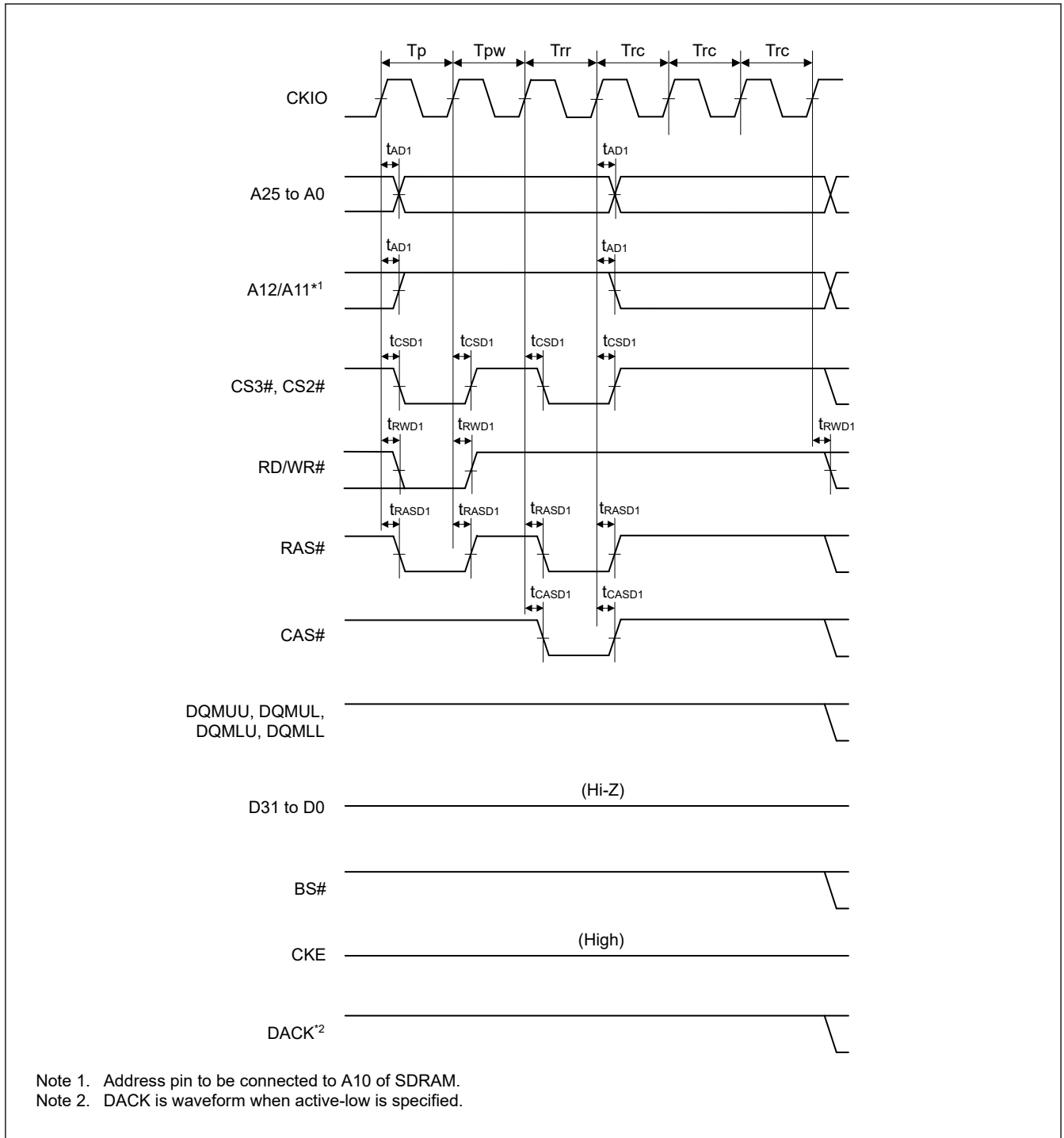


Figure 2.33 Synchronous DRAM auto-refresh timing (WTRP = 1 cycle, WTRC = 3 cycles)

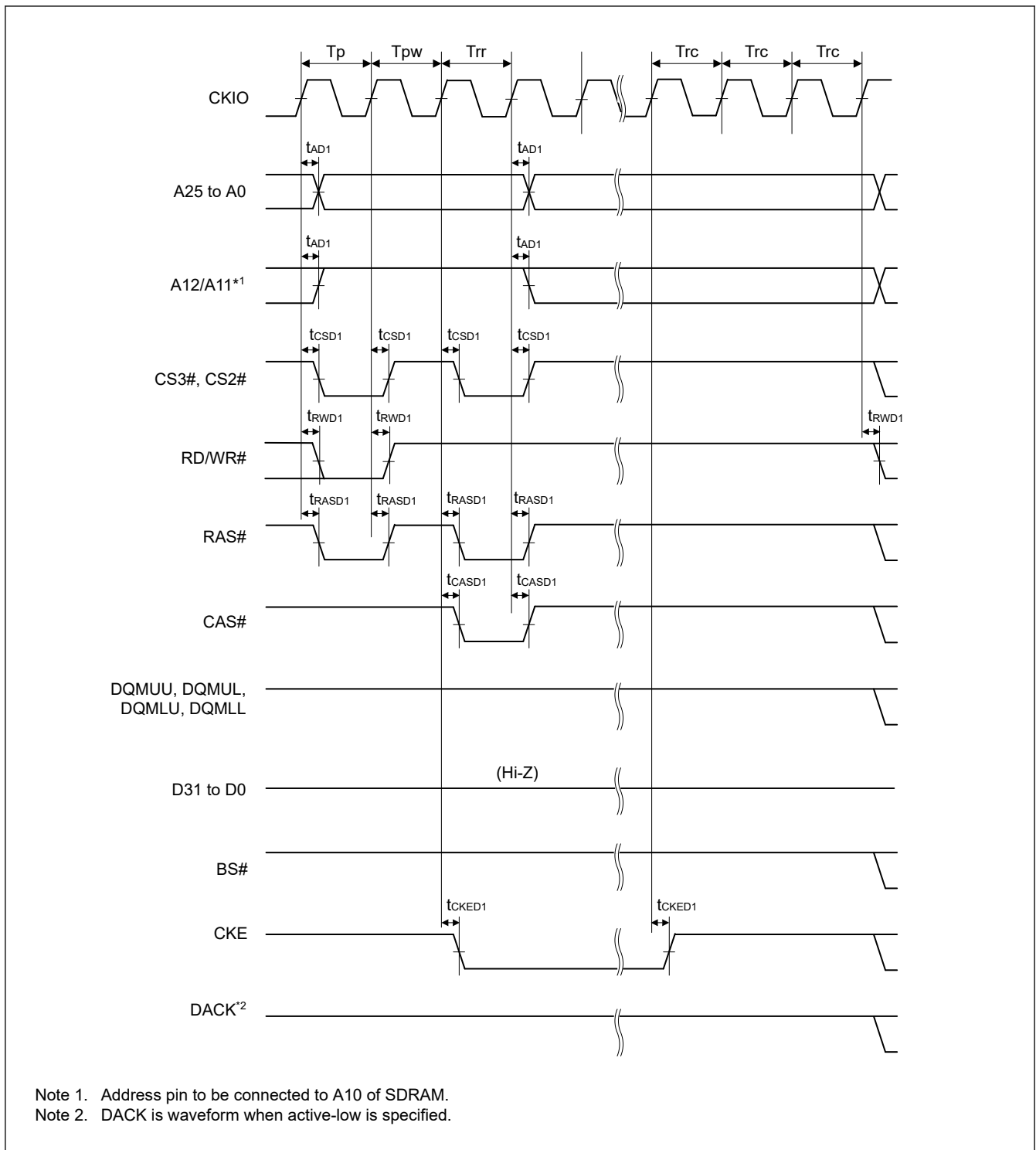


Figure 2.34 Synchronous DRAM self-refresh timing (WTRP = 1 cycle)

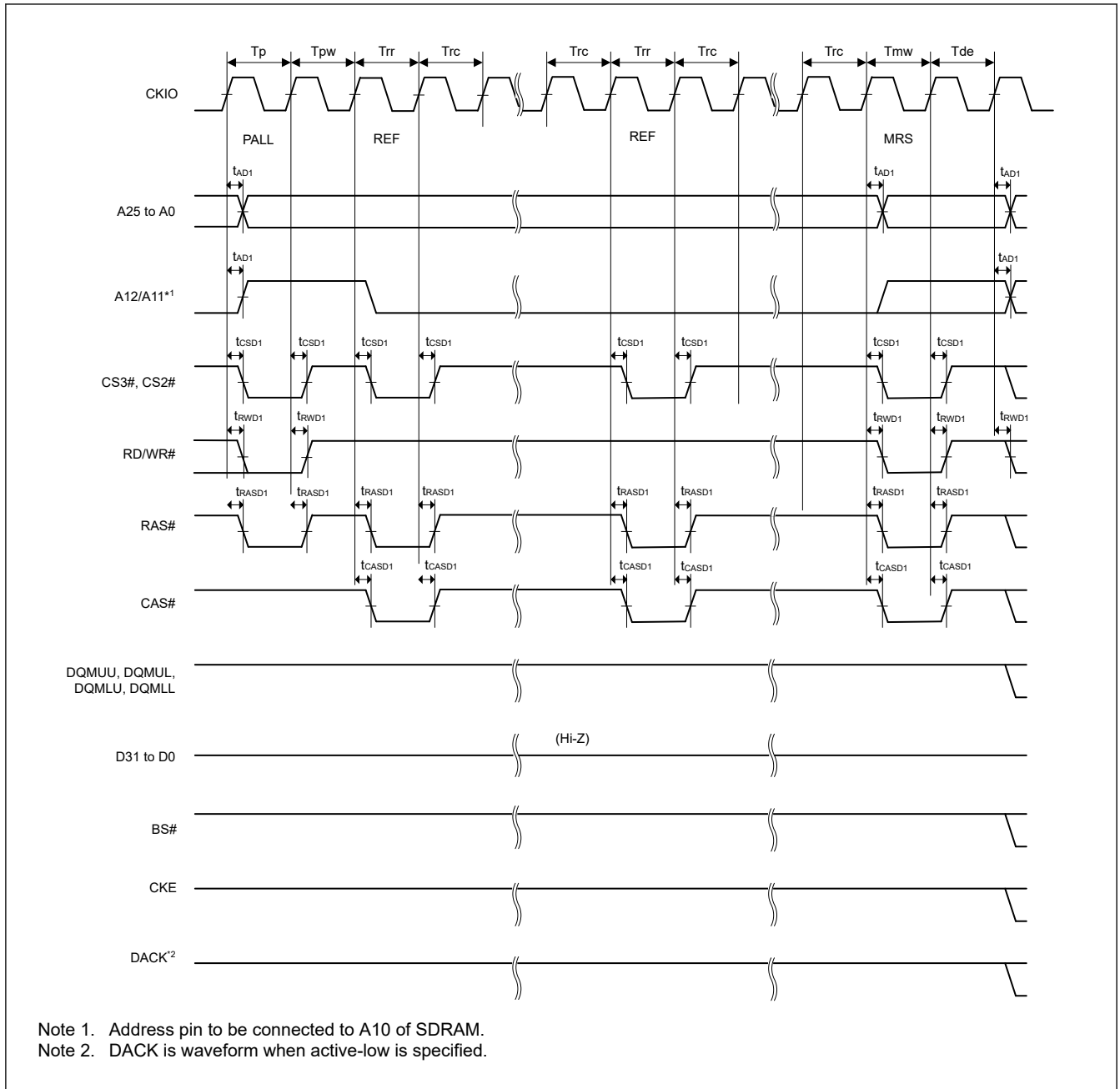


Figure 2.35 Synchronous DRAM mode register set timing (WTRP = 1 cycle)

2.5.4 DMAC Timing

Table 2.23 DMAC timing

Conditions: $V_{OH} = V_{CC33} \times 0.5$, $V_{OL} = V_{CC33} \times 0.5$, $C = 15 \text{ pF}$ (CKIO), 30 pF (others), $T_{jmin} = -40^\circ\text{C}$

Parameter	Symbol	Min.*1	Max.	Unit	Reference figure
DMAC	DREQ pulse width	t_{DRQW}	$t_{PLCyc} \times 2$	ns	Figure 2.36
	DACK and TEND delay time	t_{DACD}	10	ns	Figure 2.37

Note 1. t_{PLCyc} : PCLKL cycle

Table 2.24 DMAC timing

Conditions: $V_{OH} = V_{CC33} \times 0.5$, $V_{OL} = V_{CC33} \times 0.5$, $C = 12 \text{ pF}$ (CKIO), 12 pF (others), $T_{jmin} = -20^{\circ}\text{C}$

Parameter		Symbol	Min.*1	Max.	Unit	Reference figure
DMAC	DREQ pulse width	t_{DRQW}	$t_{PLcyc} \times 2$	—	ns	Figure 2.36
	DACK and TEND delay time	t_{DACD}	-0.5	8	ns	Figure 2.37

Note 1. t_{PLcyc} : PCLKL cycle

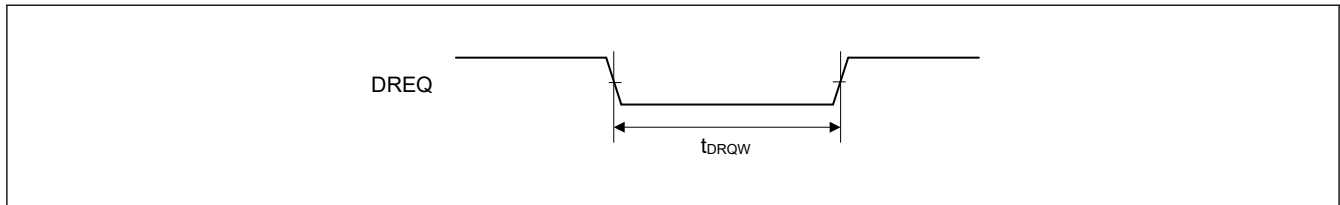


Figure 2.36 DREQ input timing

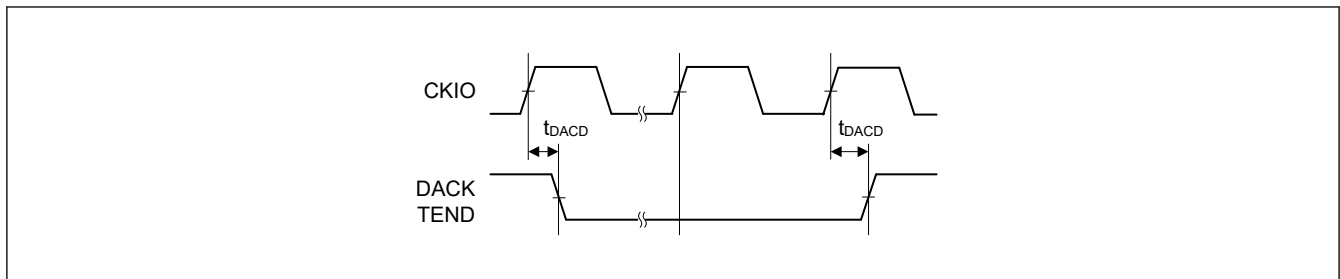


Figure 2.37 DACK and TEND output timing

2.5.5 On-Chip Peripheral Module Timing

2.5.5.1 I/O Port Timing

Table 2.25 I/O port timing

Parameter		Symbol	Min.	Max.	Unit*1	Reference figure
I/O port	Input data pulse width	t_{PRW}	1.5	—	t_{PLcyc}	Figure 2.38

Note 1. t_{PLcyc} : PCLKL cycle

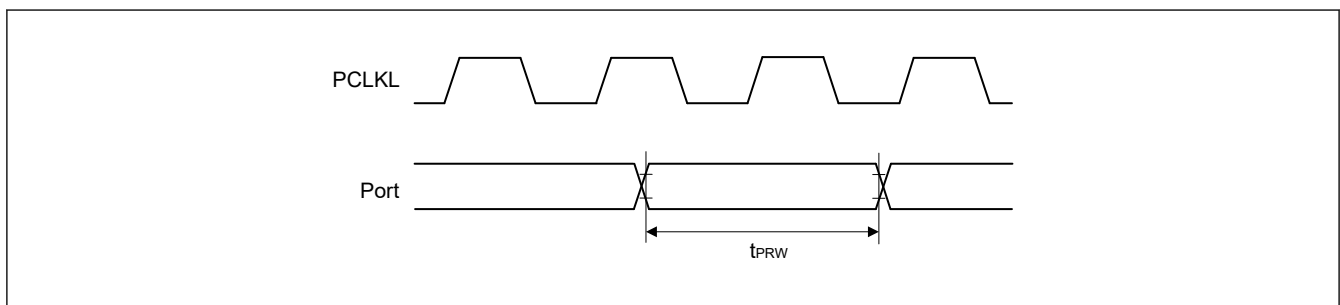


Figure 2.38 I/O port input timing

2.5.5.2 CMTW Timing

Table 2.26 CMTW timing

Parameter		Symbol	Min.	Max.	Unit*1	Reference figure
CMTW	Input capture input pulse width	Single-edge setting	1.5	—	t_{PLcyc}	Figure 2.39
		Both-edge setting	2.5	—		

Note 1. t_{PLcyc} : PCLKL cycle

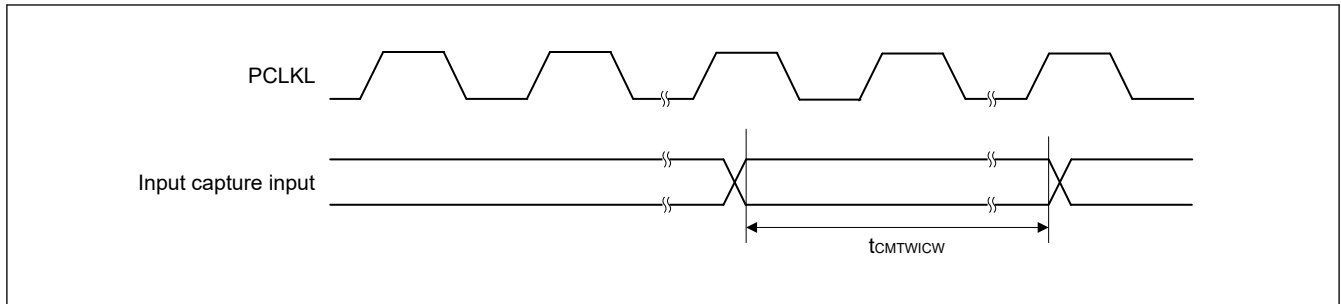


Figure 2.39 CMTW input capture input timing

2.5.5.3 MTU3 Timing

Table 2.27 MTU3 timing

Parameter		Symbol	Min.	Max.	Unit*1	Reference figure
MTU3	Input capture input pulse width	Single-edge setting	2.5	—	t _{PHcyc}	Figure 2.40
		Both-edge setting				
	Timer clock pulse width	Single-edge setting	t _{MTCKWH}	2.5	—	t _{PHcyc}
Both-edge setting		t _{MTCKWL}				
Phase counting mode			3.5	—		

Note 1. t_{PHcyc}: PCLKH cycle

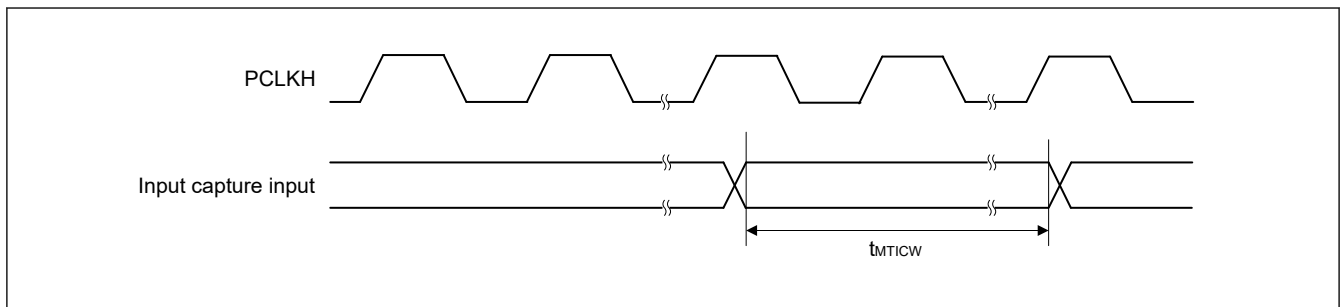


Figure 2.40 MTU3 input capture input timing

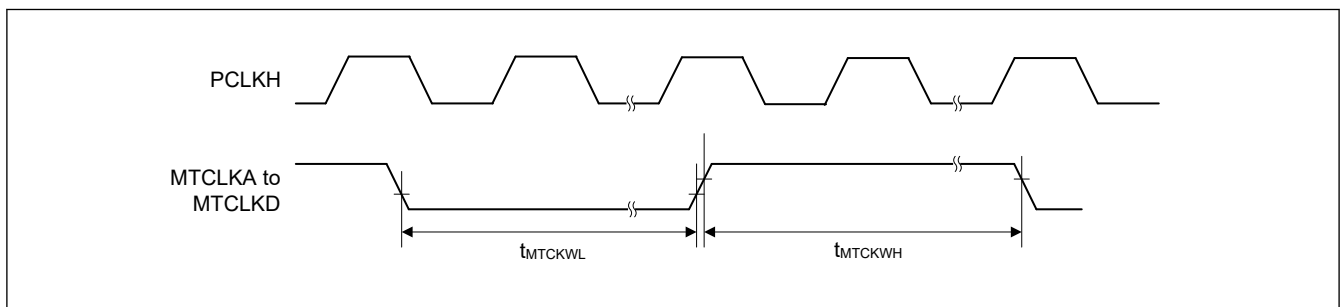


Figure 2.41 MTU3 clock input timing

2.5.5.4 POE3 Timing

Table 2.28 POE3 timing

Parameter		Symbol	Min.	Max.	Unit*1	Reference figure	
POE3	POEn# input pulse width	t_{POEW}	2.5	—	t_{PHcyc}	Figure 2.42	
	Output disable time	Transition of the POEn# signal level	t_{POEDI}	—	$5 \times PCLKH + 0.1$	μs	Figure 2.43
		Simultaneous conduction of output pins	t_{POEDO}	—	$3 \times PCLKH + 0.1$	μs	Figure 2.44
		Register setting	t_{POEDS}	—	$PCLKH + 0.1$	μs	Figure 2.45
		Oscillation stop detection	t_{POEDOS}	—	74	μs	Figure 2.46

Note 1. t_{PHcyc} : PCLKH cycle

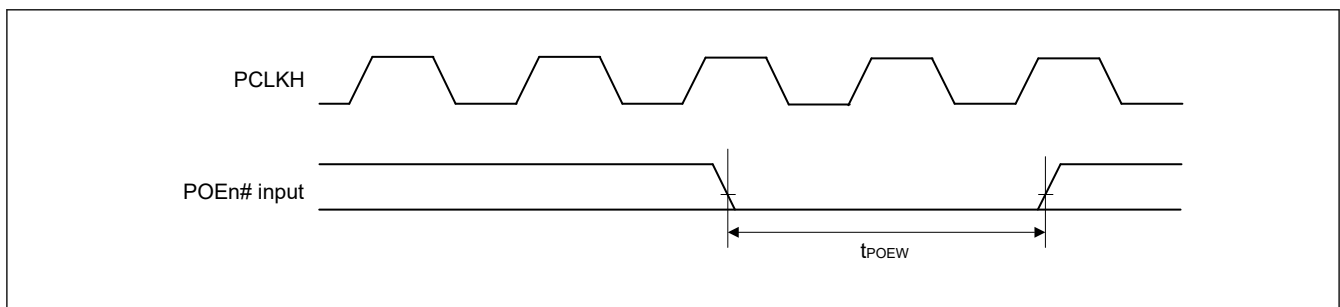


Figure 2.42 POEn# input pulse timing

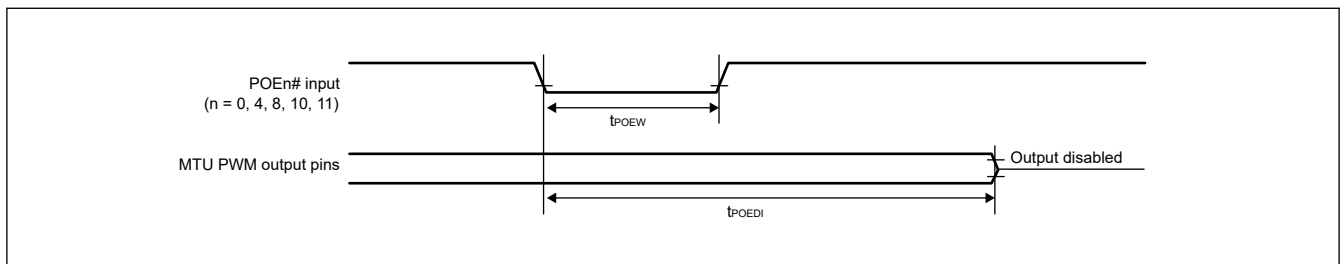
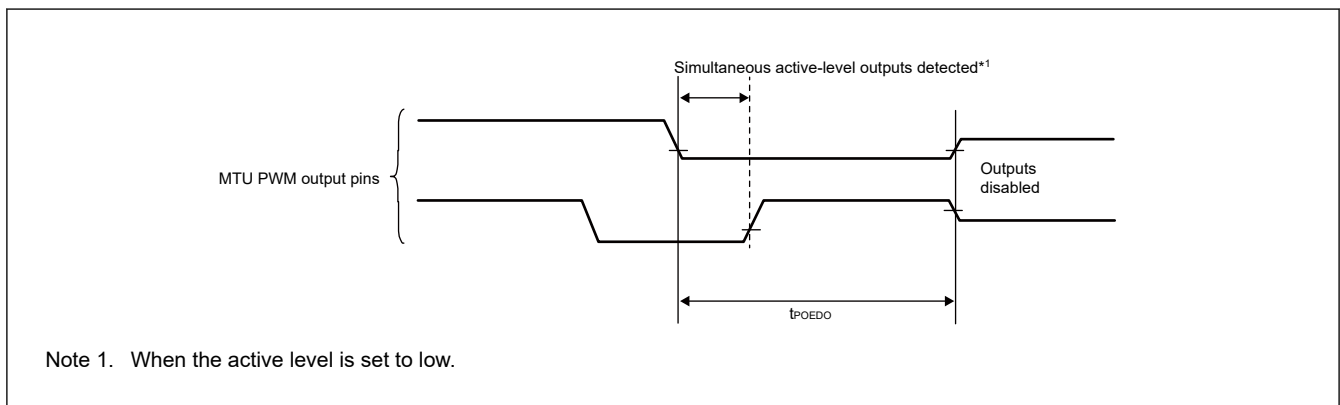


Figure 2.43 Output disable time for POE in response to transition of the POEn# signal level



Note 1. When the active level is set to low.

Figure 2.44 Output disable time for POE in response to the simultaneous conduction of output pins

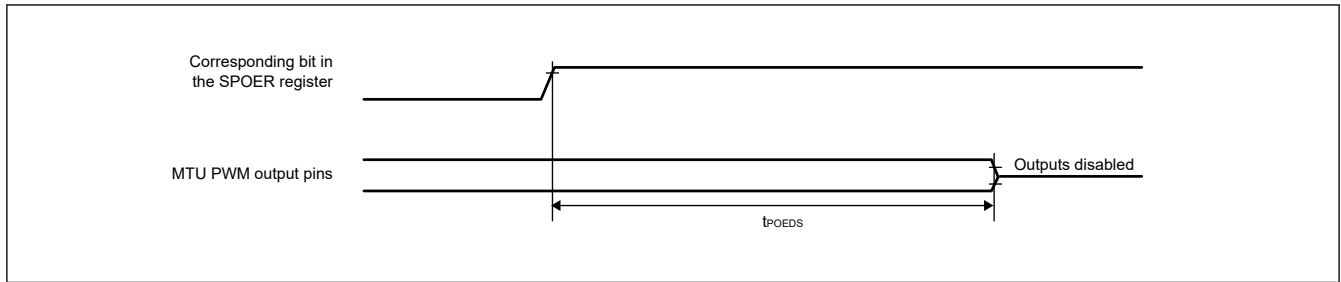


Figure 2.45 Output disable time for POE in response to the register setting

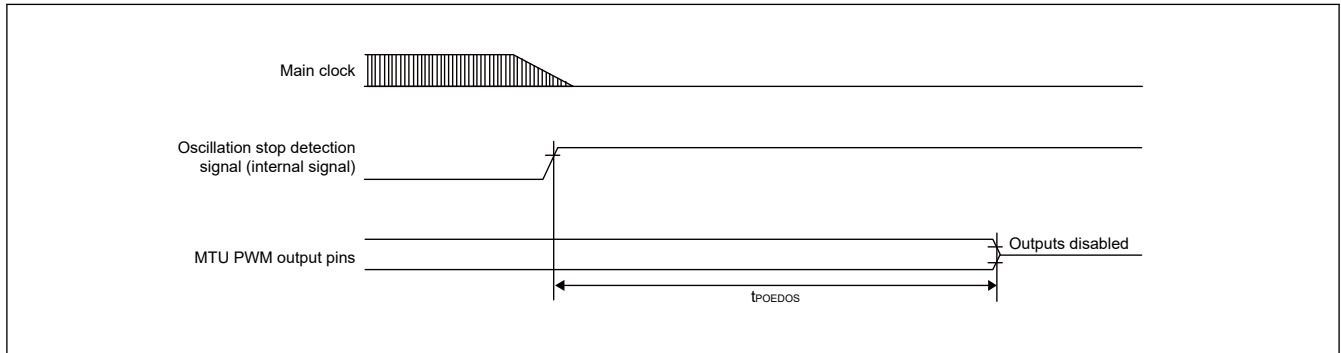


Figure 2.46 Output disable time for POE in response to the oscillation stop detection

2.5.5.5 GPT Timing

Table 2.29 GPT timing

Parameter		Symbol	Min.	Max.	Unit*1	Reference figure	
GPT	Input capture input pulse width	Single-edge setting	t_{GTICW}	2.5	—	t_{PHcyc}	Figure 2.47
		Both-edge setting		3.5	—		
GPT	External trigger input pulse width	Single-edge setting	t_{GTEW}	2.5	—	t_{PHcyc}	Figure 2.48
		Both-edge setting		3.5	—		

Note 1. t_{PHcyc} : PCLKH cycle (LLPP channels), PCLKM cycle (Other channels)

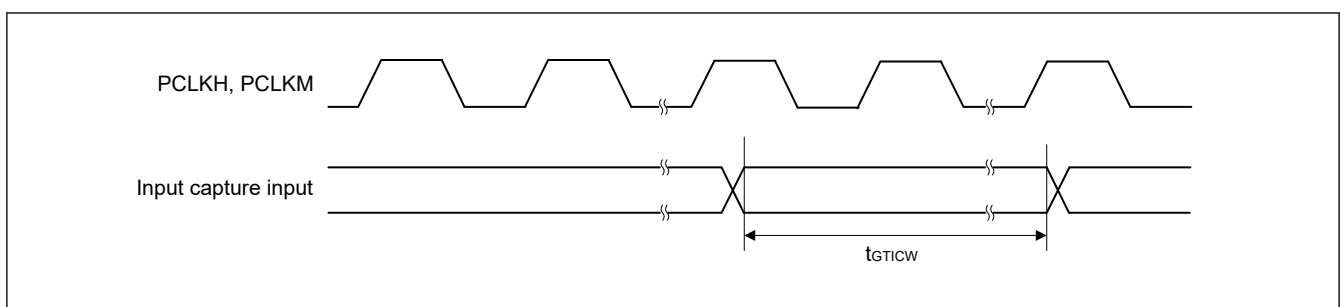


Figure 2.47 GPT input capture input timing

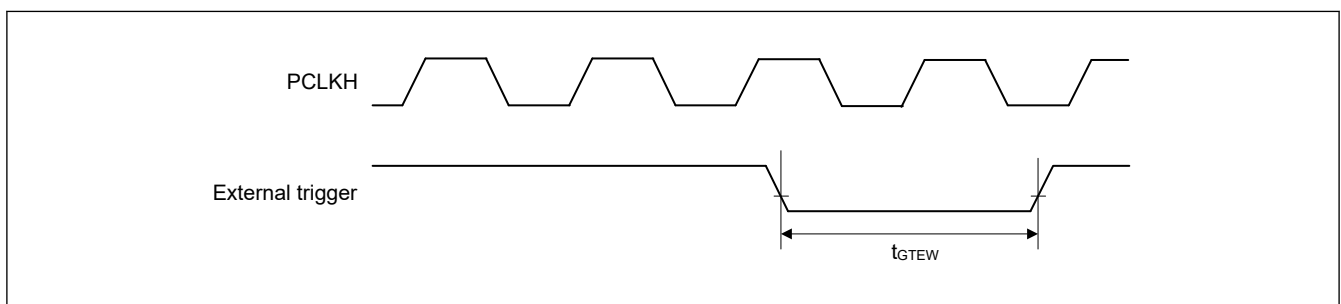


Figure 2.48 GPT external trigger input timing

2.5.5.6 POEG Timing

Table 2.30 POEG timing

Parameter		Symbol	Min.	Max.	Unit*1	Reference figure	
POEG	GTETRn input pulse width (n = A to D)	t_{POEGW}	2.5	—	t_{PHcyc}	Figure 2.49	
	Output disable time	Input level detection of the GTETRn pin (via flag)	t_{POEGDI}	—	$3 \times PCLKH + 0.1$	μs	Figure 2.50
		Detection of the output stopping signal from GPT (dead time error, simultaneous high output, or simultaneous low output)	t_{POEGDO}	—	0.1	μs	Figure 2.51
		Register setting	t_{POEGDS}	—	$PCLKH + 0.1$	μs	Figure 2.52
		Oscillation stop detection	$t_{POEGDOS}$	—	74	μs	Figure 2.53

Note 1. t_{PHcyc} : PCLKH cycle (LLPP channels), PCLKL cycle (Other channels)

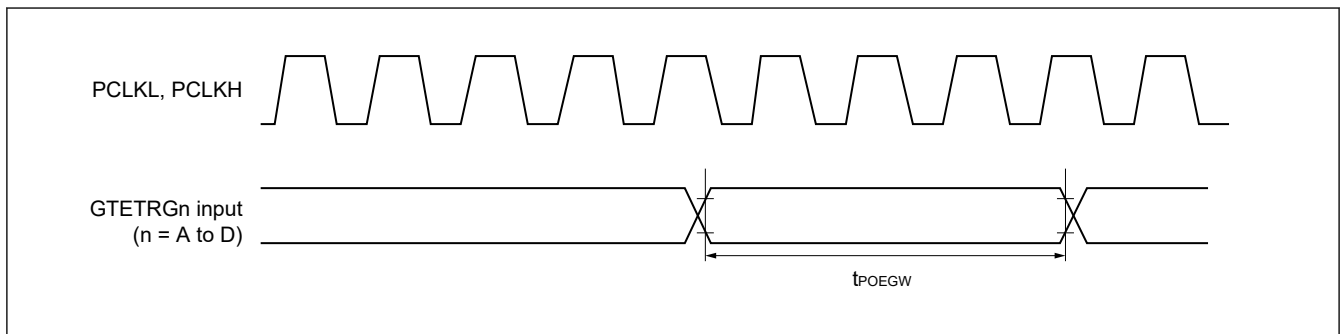


Figure 2.49 POEG input timing

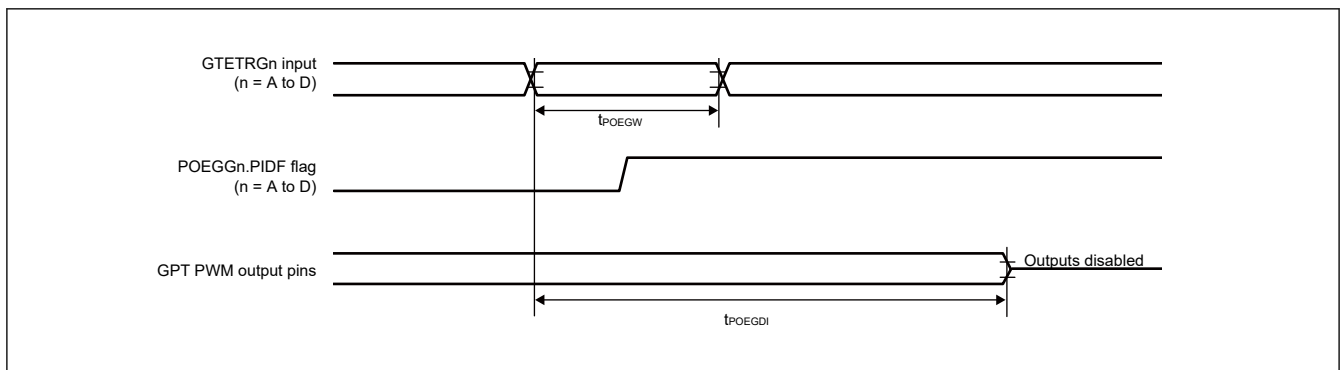
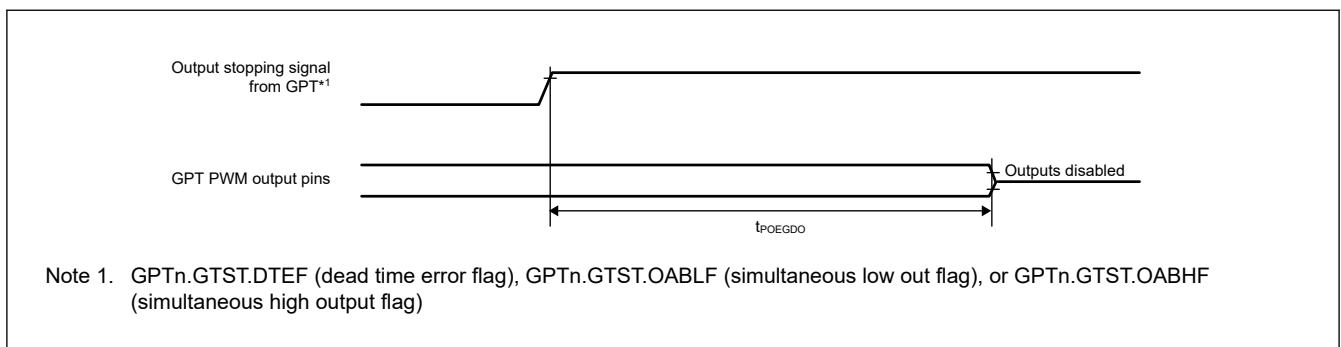


Figure 2.50 Output disable time for POEG via detection flag in response to the input level detection of the GTETRn pin



Note 1. GPTn.GTST.DTEF (dead time error flag), GPTn.GTST.OABLF (simultaneous low out flag), or GPTn.GTST.OABHF (simultaneous high output flag)

Figure 2.51 Output disable time for POEG in response to detection of the output stopping signal from GPT

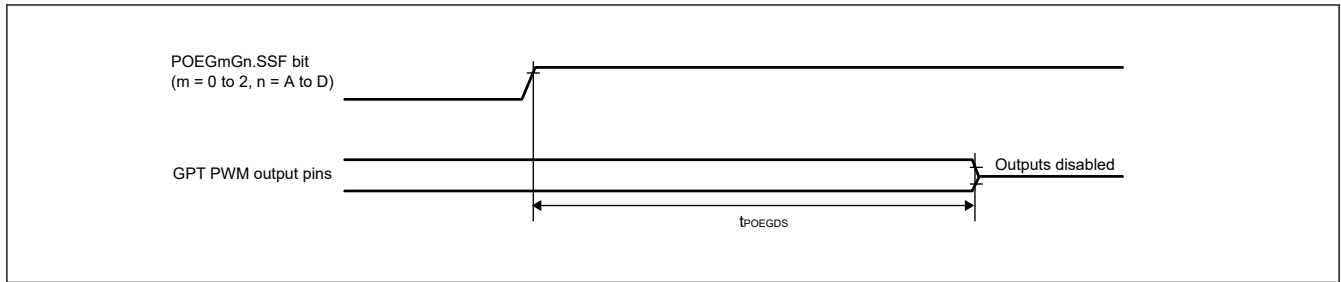


Figure 2.52 Output disable time for POEG in response to the register setting

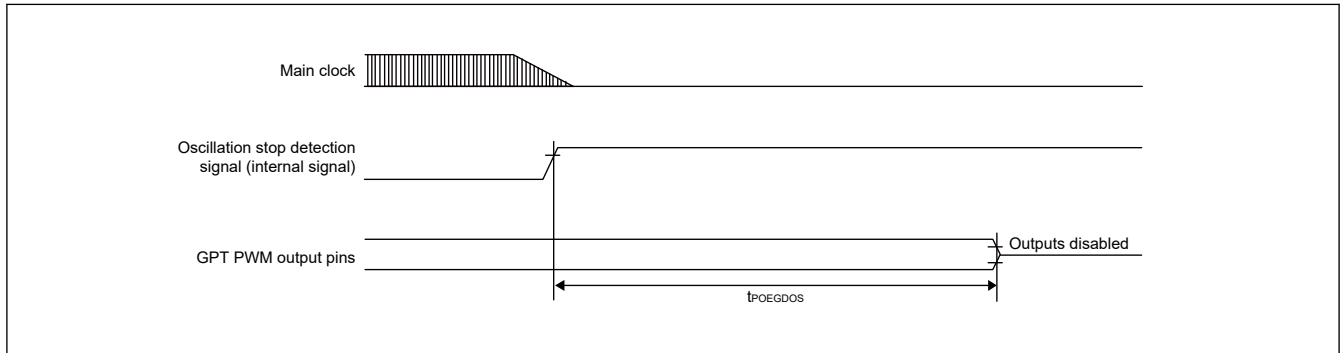


Figure 2.53 Output disable time for POEG in response to the oscillation stop detection

2.5.5.7 A/D Converter Trigger Timing

Table 2.31 A/D converter trigger timing

Parameter			Symbol	Min.	Max.	Unit*1	Reference figure
A/D converter	A/D converter trigger input pulse width	ADTRG0#, ADTRG1#	t _{TRGW}	1.5	—	t _{PADCcyc}	Figure 2.54

Note 1. t_{PADCcyc}: PCLKADC cycle

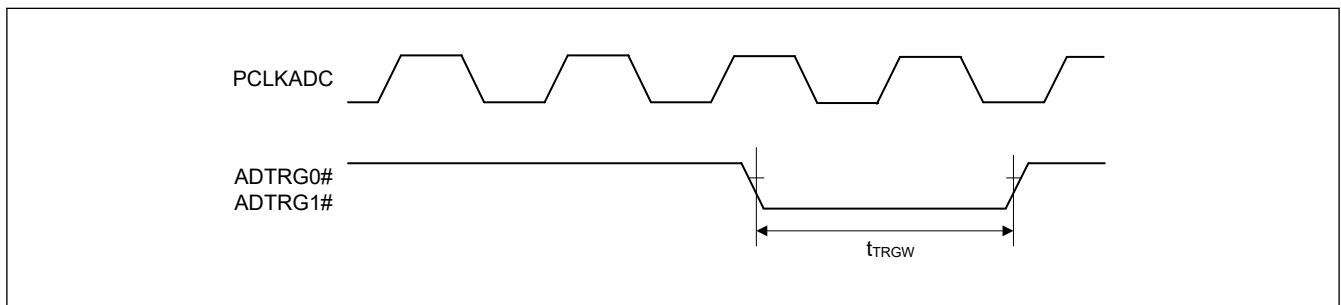


Figure 2.54 A/D converter trigger input timing (ADTRG0#, ADTRG1#)

2.5.5.8 SCI Timing

Conditions: V_{OH} = VCC33 × 0.5, V_{OL} = VCC33 × 0.5, C = 30 pF (except Simple I2C)

Table 2.32 SCI timing (1 of 2)

Parameter		Symbol	Min.	Max.	Unit	Reference figure
SCI (Asynchronous)	Input clock cycle	t_{Scyc}	4	—	$t_{PSClCyc}$	Figure 2.55
	Input clock pulse width	t_{SCKW}	0.4	0.6	t_{Scyc}	
	Input clock rise time	t_{SCKr}	—	3	ns	
	Input clock fall time	t_{SCKf}	—	3	ns	
	Output clock cycle	t_{Scyc}	6	—	$t_{PSClCyc}$	
	Output clock pulse width	t_{SCKW}	0.4	0.6	t_{Scyc}	
	Output clock rise time	t_{SCKr}	—	3	ns	
	Output clock fall time	t_{SCKf}	—	3	ns	
SCI (Simple I2C, Standard mode)	SDA input rise time	t_{Sr}	—	1000	ns	Figure 2.56
	SDA input fall time	t_{Sf}	—	300	ns	
	SCL, SDA input spike pulse removal time	t_{SP}	0	$2 \times NF_{cyc}^{*1}$	ns	
	Data input setup time	t_{SDAS}	250	—	ns	
	Data input hold time	t_{SDAH}	0	—	ns	
	SCL, SDA capacitive load	C_b	—	400	pF	
SCI (Simple I2C, Fast mode)	SDA input rise time	t_{Sr}	—	300	ns	Figure 2.56
	SDA input fall time	t_{Sf}	—	300	ns	
	SCL, SDA input spike pulse removal time	t_{SP}	0	$2 \times NF_{cyc}^{*1}$	ns	
	Data input setup time	t_{SDAS}	100	—	ns	
	Data input hold time	t_{SDAH}	0	—	ns	
	SCL, SDA capacitive load	C_b	—	400	pF	

Table 2.32 SCI timing (2 of 2)

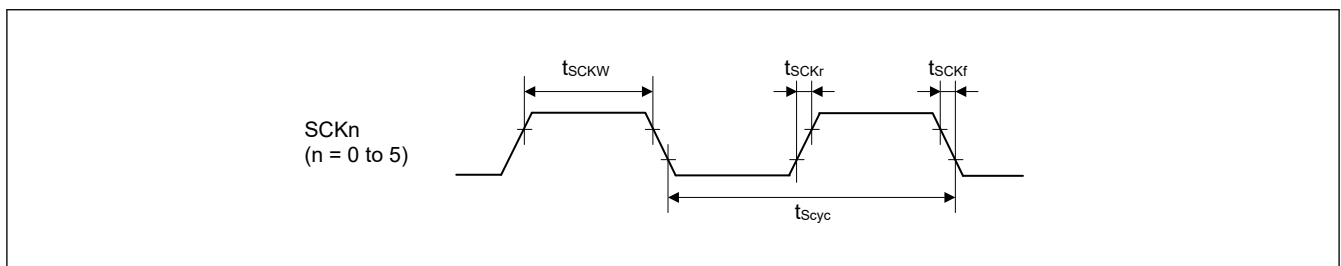
Parameter		Symbol	Min.	Max.	Unit	Reference figure	
SCI (Clock sync, Simple SPI)	SCK output clock cycle (master)	t_{SPCyc}	2	65536	$t_{PSClCyc}$	Figure 2.57 to Figure 2.62	
	SCK input clock cycle (slave)		2	65536			
	SCK clock high pulse width	t_{SPCKWH}	0.4	0.6	t_{SPCyc}		
	SCK clock low pulse width	t_{SPCKWL}	0.4	0.6	t_{SPCyc}		
	SCK clock rise/fall time	t_{SPCKR} , t_{SPCKF}	—	3	ns		
	Data input setup time	Internal clock	t_{SU}	7	—		ns
		External clock		3	—		
	Data input hold time	Internal clock	t_H	3	—		ns
		External clock		3	—		
	Data output delay time	Internal clock	t_{OD}	—	3		ns
		External clock		—	12		
	Data output hold time	Internal clock	t_{OH}	0	—		ns
		External clock		0	—		
Data rise/fall time		t_{DR} , t_{DF}	—	3	ns		
Slave access time	Internal clock	t_{SA}	—	$3 \times t_{PSClCyc} + 12$	ns		
	External clock		—	$3 \times t_{PSClCyc} + 12$			
Slave output release time	Internal clock	t_{REL}	—	$3 \times t_{PSClCyc} + 12$	ns		
	External clock		—	$3 \times t_{PSClCyc} + 12$			
SCI (Simple SPI)	SS input setup time	t_{LEAD}	1	—	t_{SPCyc}		
	SS input hold time	t_{LAG}	1	—	t_{SPCyc}		
	SS input rise/fall time	t_{SSR} , t_{SSF}	—	3	ns		

Note: $t_{PSClCyc}$: PCLKSCIn cycle

Note 1. $N_{FcyC} = 4^n \times 2^{m-1} \times t_{PSClCyc}$

n: CCR2.CKS[1:0] (n = 0, 1, 2, 3)

m: CCR1.NFCS[2:0] (m = 1, 2, 3, 4)

**Figure 2.55 SCK clock input/output timing**

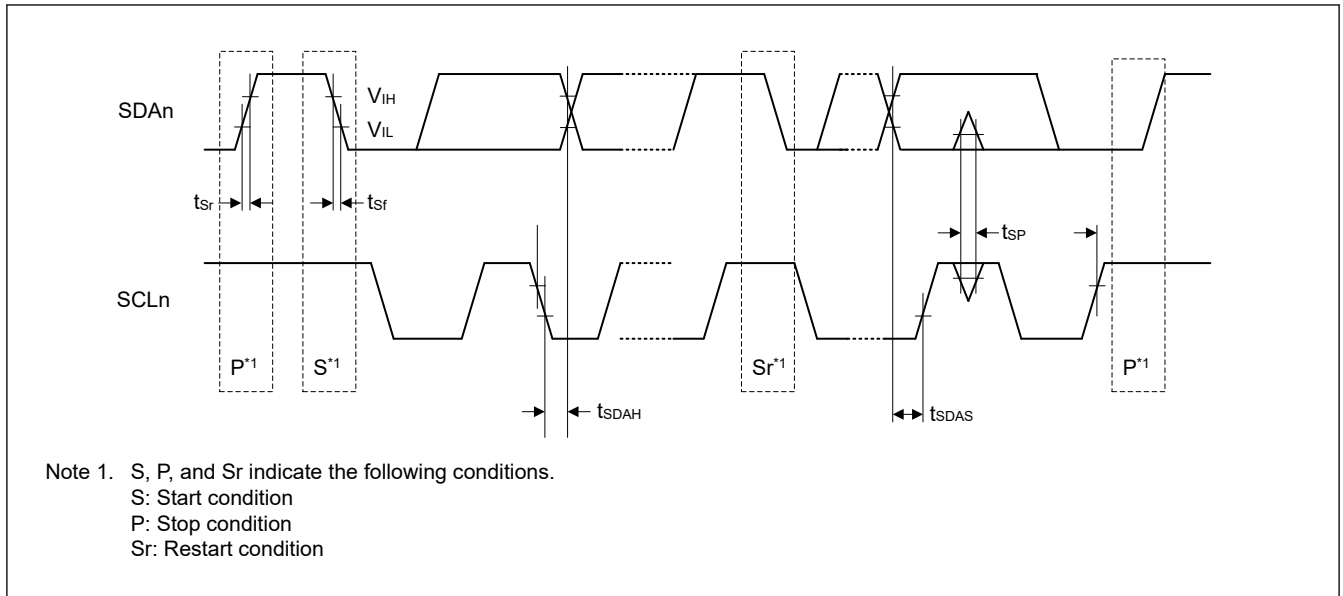


Figure 2.56 SCI simple I2C mode timing

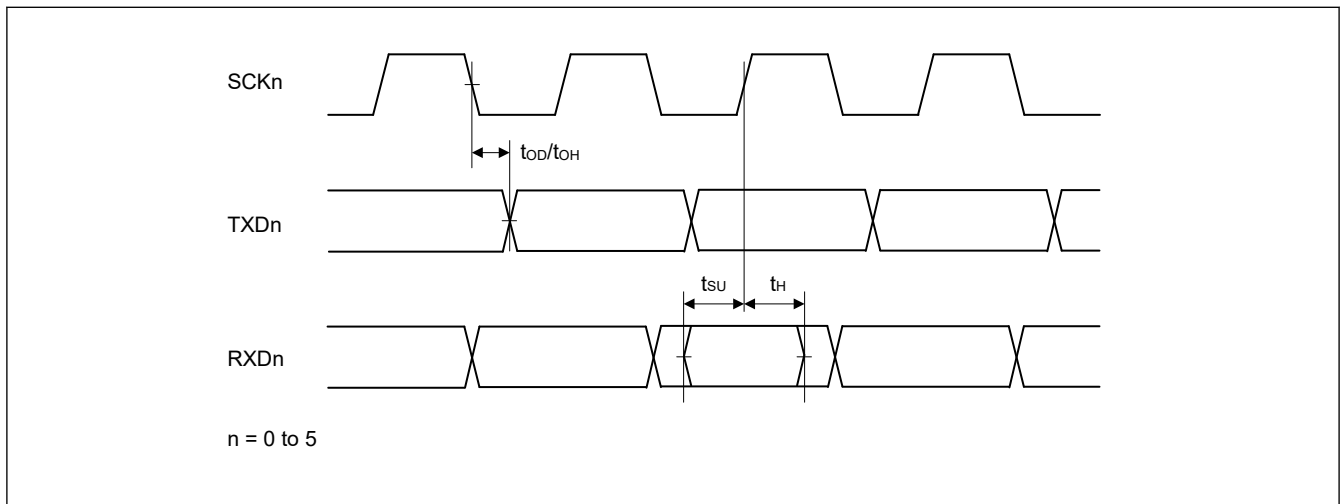


Figure 2.57 SCI input/output timing in clock synchronous mode

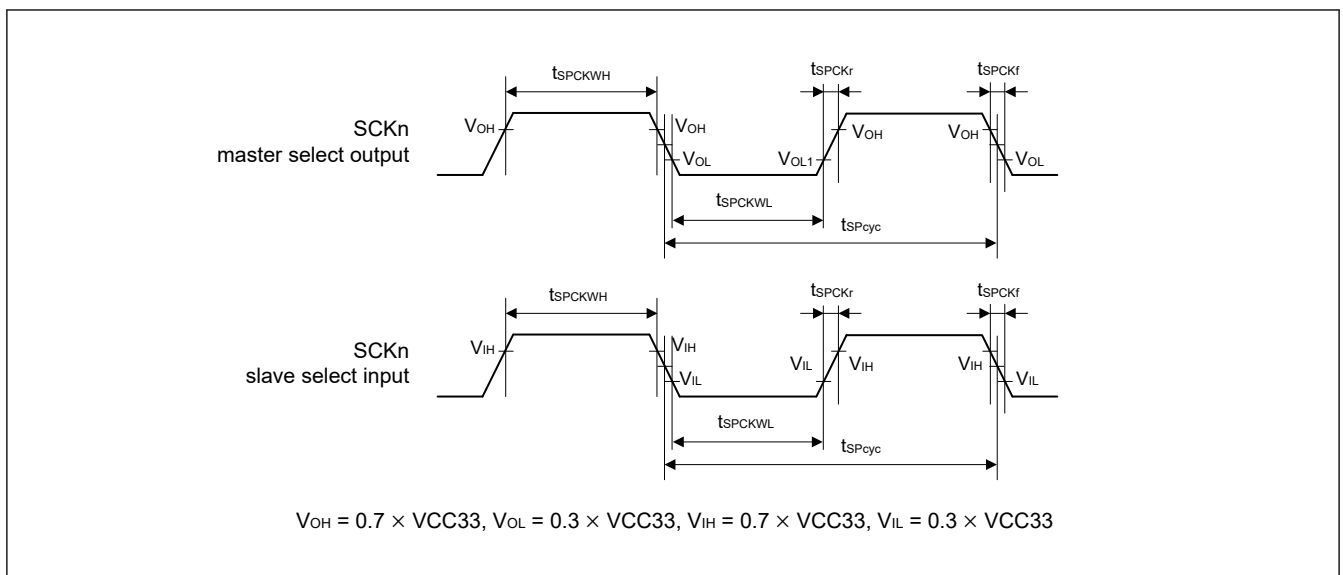


Figure 2.58 SCI simple SPI mode clock timing

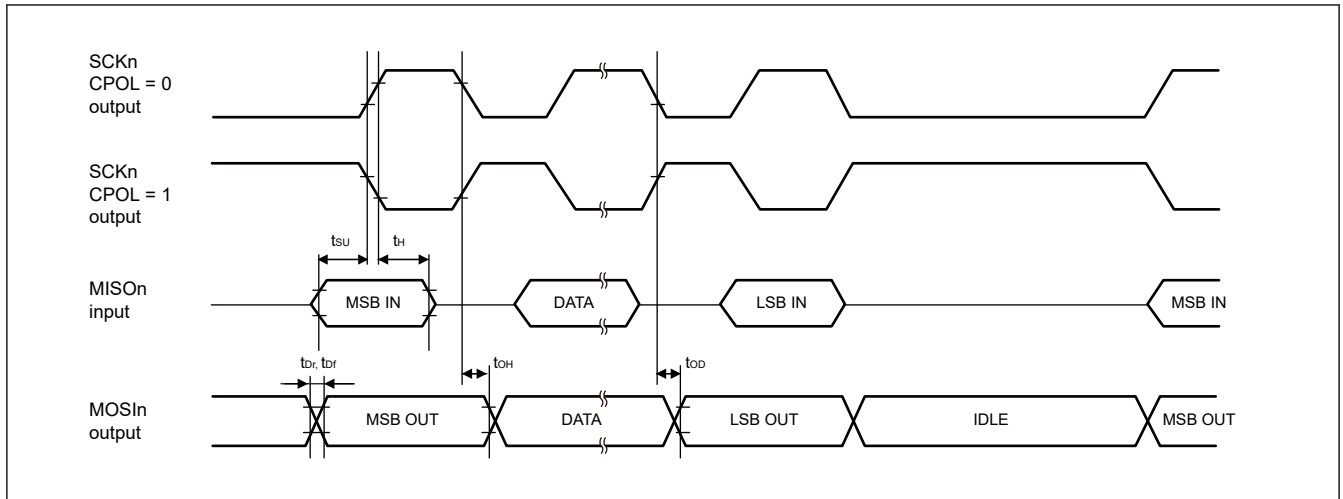


Figure 2.59 SCI simple SPI mode timing for master when CPHA = 0

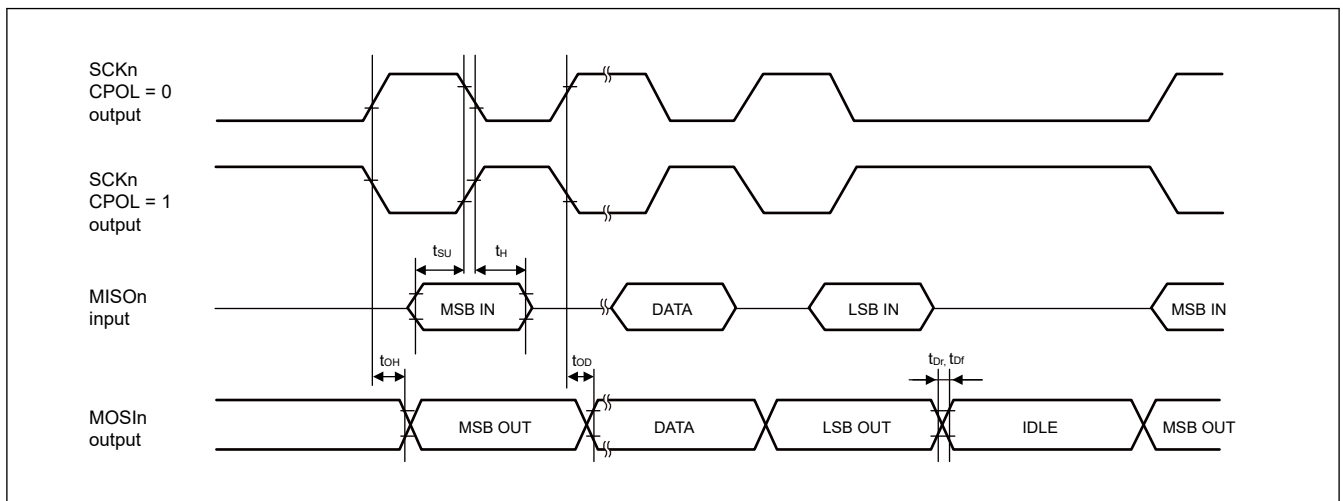


Figure 2.60 SCI simple SPI mode timing for master when CPHA = 1

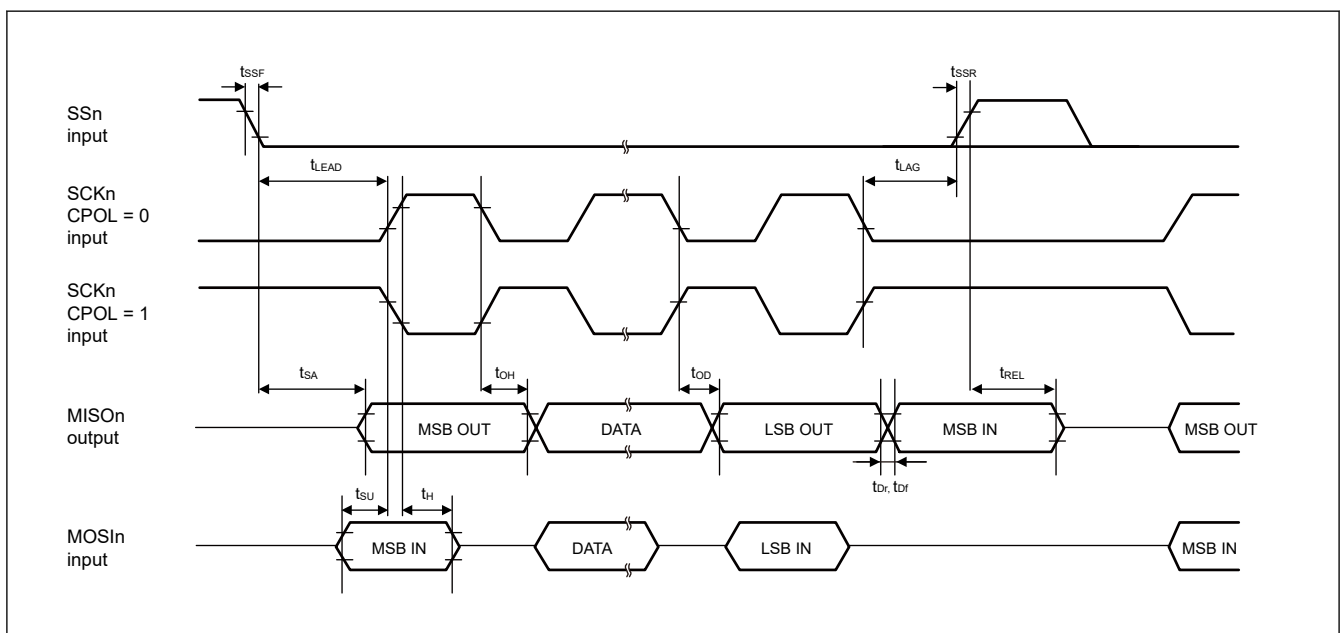


Figure 2.61 SCI simple SPI mode timing for slave when CPHA = 0

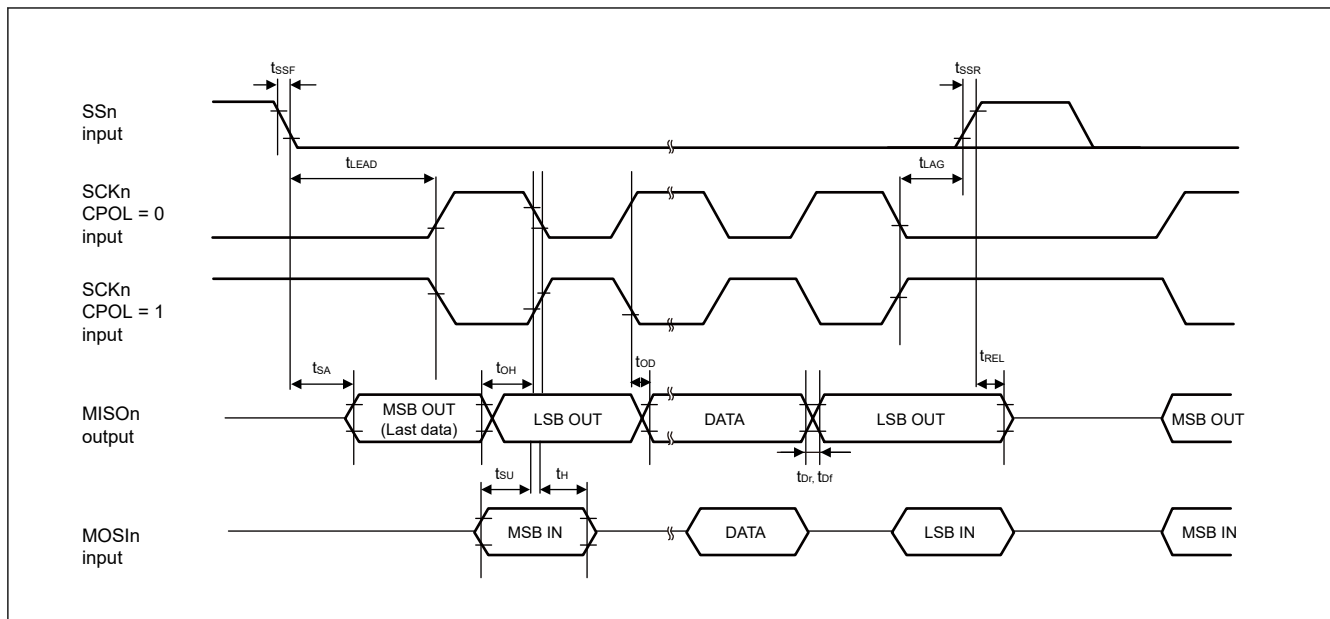


Figure 2.62 SCI simple SPI mode timing for slave when CPHA = 1

2.5.5.9 IIC Timing

Conditions: $V_{OL} = 0.4\text{ V}$, $I_{OL} = 4\text{ mA}$

Table 2.33 IIC timing

Parameter		Symbol	Min.*1 *2	Max.*1 *2	Unit	Reference figure
IIC (Standard-mode)	SCL input cycle time	t_{SCL}	$6(12) \times t_{IICcyc} + 1300$	—	ns	Figure 2.63
	SCL input high pulse width	t_{SCLH}	$3(6) \times t_{IICcyc} + 300$	—	ns	
	SCL input low pulse width	t_{SCLL}	$3(6) \times t_{IICcyc} + 300$	—	ns	
	SCL, SDA input rising time	t_{sr}	—	1000	ns	
	SCL, SDA input falling time	t_{sf}	—	300	ns	
	SCL, SDA input spike pulse removal time	t_{SP}	0	$1(4) \times t_{IICcyc}$	ns	
	SDA input bus free time	t_{BUF}	$3(6) \times t_{IICcyc} + 300$	—	ns	
	Start condition input hold time	t_{STAH}	$t_{IICcyc} + 300$	—	ns	
	Restart condition input setup time	t_{STAS}	1000	—	ns	
	Stop condition input setup time	t_{STOS}	1000	—	ns	
	Data input setup time	t_{SDAS}	$t_{IICcyc} + 50$	—	ns	
	Data input hold time	t_{SDAH}	0	—	ns	
	SCL, SDA capacitive load	C_b	—	400	pF	
IIC (Fast-mode)	SCL input cycle time	t_{SCL}	$6(12) \times t_{IICcyc} + 600$	—	ns	
	SCL input high pulse width	t_{SCLH}	$3(6) \times t_{IICcyc} + 300$	—	ns	
	SCL input low pulse width	t_{SCLL}	$3(6) \times t_{IICcyc} + 300$	—	ns	
	SCL, SDA input rising time	t_{sr}	—*4	300	ns	
	SCL, SDA input falling time	t_{sf}	—*4	300	ns	
	SCL, SDA input spike pulse removal time	t_{SP}	0	$1(4) \times t_{IICcyc}$	ns	
	SDA input bus free time	t_{BUF}	$3(6) \times t_{IICcyc} + 300$	—	ns	
	Start condition input hold time	t_{STAH}	$t_{IICcyc} + 300$	—	ns	
	Restart condition input setup time	t_{STAS}	300	—	ns	
	Stop condition input setup time	t_{STOS}	300	—	ns	
	Data input setup time	t_{SDAS}	$t_{IICcyc} + 50$	—	ns	
	Data input hold time	t_{SDAH}	0	—	ns	
	SCL, SDA capacitive load*3	C_b	—	400	pF	

Note 1. t_{IICcyc} : IIC internal reference clock (IIC Φ) cycle

Note 2. The value out of parentheses is applicable when the value of the ICMR3.NF[1:0] bits is 00b while the digital filter is enabled by setting ICFER.NFE = 1. The value within parentheses is applicable when the value of the ICMR3.NF[1:0] bits is 11b while the digital filter is enabled by setting ICFER.NFE = 1.

Note 3. C_b is the total capacitance of the bus lines.

Note 4. The minimum values are not specified for t_{sr} and t_{sf} in Fast-mode.

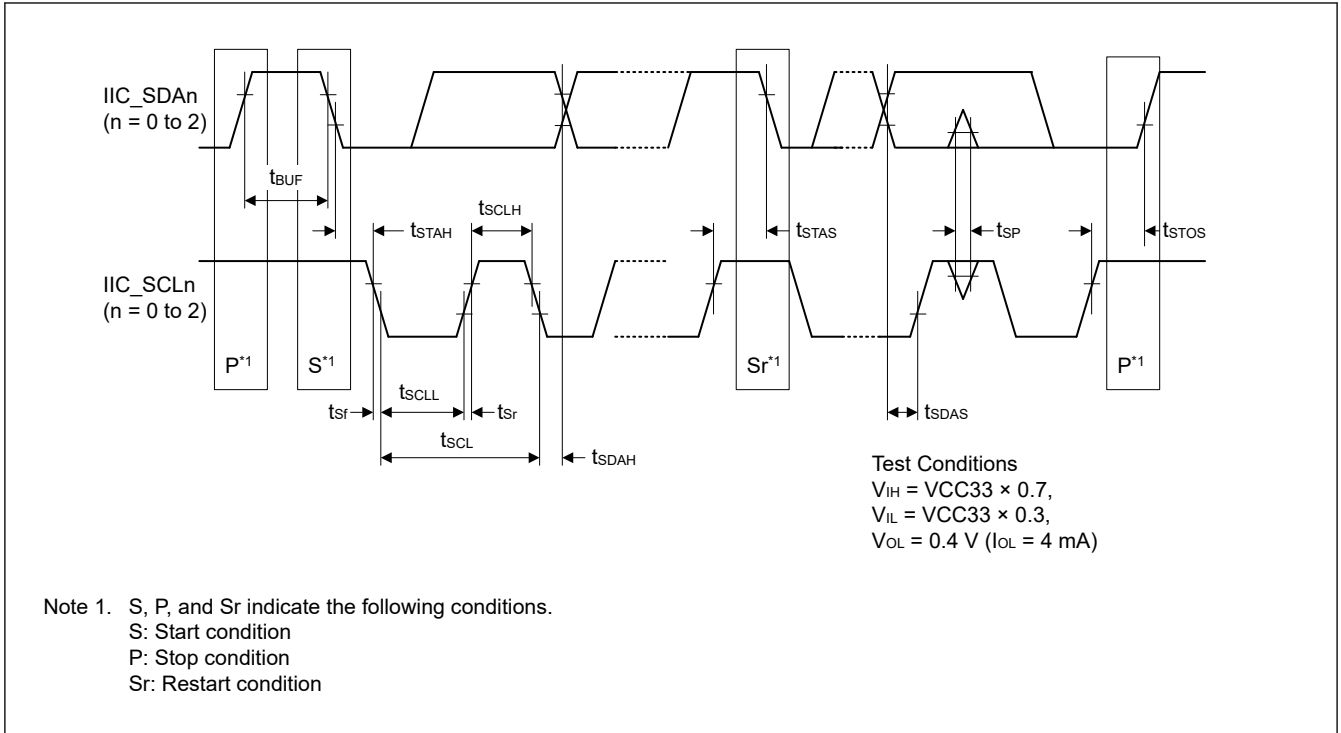


Figure 2.63 IIC bus interface input/output timing

2.5.5.10 CANFD Timing

Table 2.34 CANFD timing

Parameter	Symbol	CAN		CANFD		Unit	Reference figure
		Min.	Max.	Min.	Max.		
CANFD Internal delay time	t_{node}	—	100	—	50	ns	Figure 2.64
Transmission rate	—	—	1	—	8	Mbps	

Note: Internal delay time (t_{node}) = Internal transmission delay time (t_{output}) + Internal reception delay time (t_{input})

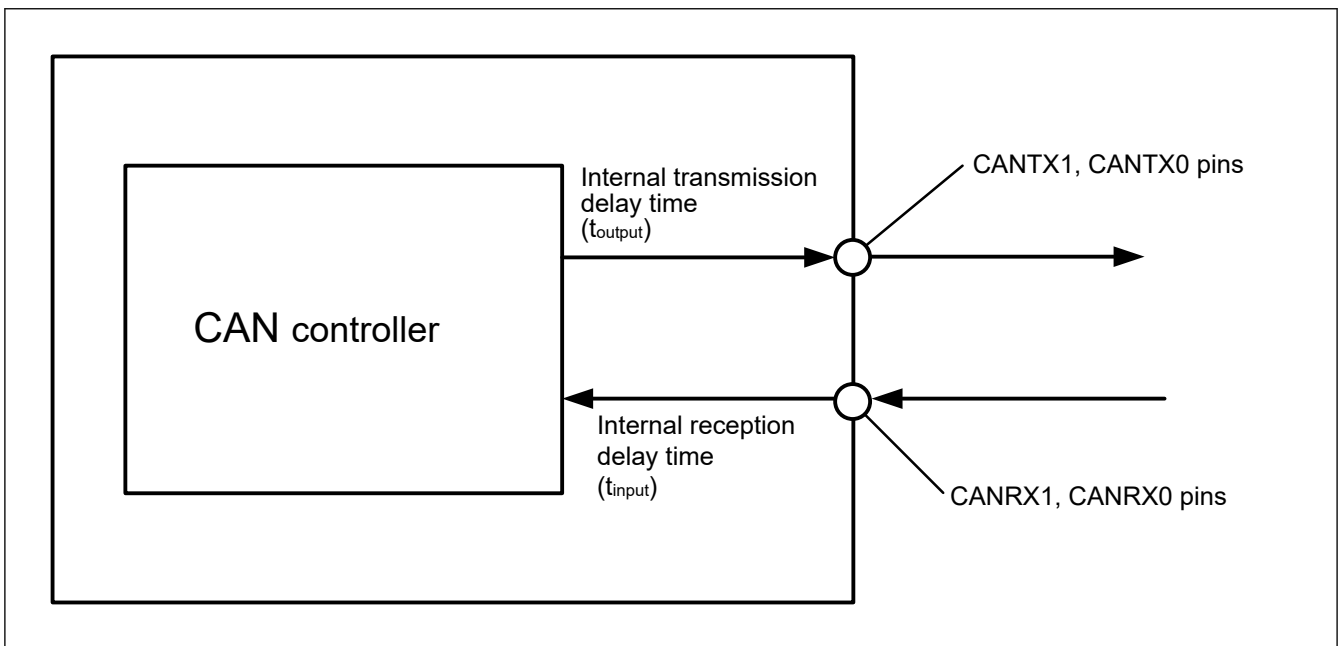


Figure 2.64 CAN interface condition

2.5.5.11 SPI Timing

Table 2.35 SPI timing (1 of 2)

Conditions: $V_{OH} = V_{CC33} \times 0.5$, $V_{OL} = V_{CC33} \times 0.5$, $C = 30$ pF

Parameter		Symbol	Min.*1	Max.*1	Unit*1	Reference figure	
RSPCK clock cycle	Master	t_{SPCyc}	2	4096	t_{SPICyc}	Figure 2.65	
	Slave		2	4096			
RSPCK clock high level pulse width	Master	t_{SPCKWH}	$(t_{SPCyc} - t_{SPCKr} - t_{SPCKf}) / 2 - 2.5$	—	ns		
	Slave		1	—	t_{SPICyc}		
RSPCK clock low level pulse width	Master	t_{SPCKWL}	$(t_{SPCyc} - t_{SPCKr} - t_{SPCKf}) / 2 - 2.5$	—	ns		
	Slave		1	—	t_{SPICyc}		
RSPCK clock rising/falling time	Output	t_{SPCKr}	—	3	ns		
	Input	t_{SPCKf}	—	1	ns		
Data input setup time	Master	t_{SU}	5	—	ns		Figure 2.66 to Figure 2.72
	Slave		3	—			
Data input hold time	Master	t_H	3	—	ns		
	Slave		3	—			
SSL setup time	Master	t_{LEAD}	$N \times t_{SPCyc} - 3^{*2}$	$N \times t_{SPCyc} + 3^{*2}$	ns	Figure 2.66 to Figure 2.69	
	Slave		4	—	t_{SPICyc}		
SSL hold time	Master	t_{LAG}	$N \times t_{SPCyc} - 3^{*3}$	$N \times t_{SPCyc} + 3^{*3}$	ns		
	Slave		4	—	t_{SPICyc}		
Continuous transmission delay	Master	t_{TD}	$t_{SPCyc} + 2 \times t_{SPICyc}$	$8 \times t_{SPCyc} + 2 \times t_{SPICyc}$	ns		
	Slave		$t_{SPCyc} + 5 \times t_{SPICyc}$	—			
TI-SSP SS input setup time		t_{TISS}	3	—	ns	Figure 2.70 to Figure 2.72	
TI-SSP SS input hold time		t_{TISH}	3	—	ns		
TI-SSP next access time		t_{TIND}	M^{*4}	—	t_{SPICyc}		
TI-SSP Master SS output delay		t_{TISSOD}	-3	3	ns		
TI-SSP Master OE delay 1		$t_{TIMOED1}$	—	2	ns		
TI-SSP Master OE delay 2		$t_{TIMOED2}$	—	2	ns		
TI-SSP Slave OE delay 1		$t_{TISOED1}$	—	12	ns		
TI-SSP Slave OE delay 2		$t_{TISOED2}$	—	8	ns		
Data output delay time	Master	t_{OD}	—	3	t_{SPICyc}		Figure 2.66 to Figure 2.72
	Slave		—	12	ns		
Data output hold time	Master	t_{OH}	-3	—	ns		
	Slave		3	—			
MOSI, MISO rising/falling time	Output	t_{Dr}, t_{Df}	—	3	ns		
	Input		—	1		μs	
SSL rising/falling time	Output	t_{SSLr}, t_{SSLf}	—	3	ns	Figure 2.66, Figure 2.67	
	Input		—	1			μs

Table 2.35 SPI timing (2 of 2)

Conditions: $V_{OH} = V_{CC33} \times 0.5$, $V_{OL} = V_{CC33} \times 0.5$, $C = 30$ pF

Parameter	Symbol	Min.*1	Max.*1	Unit*1	Reference figure
Slave access time	t_{SA}	—	12	ns	Figure 2.68, Figure 2.69
Slave output release time	t_{REL}	—	12	ns	

- Note 1. t_{SP1cyc} : PCLKSPI $_n$ cycle
- Note 2. SPCKD set value + 1 (1 to 8)
- Note 3. SSLND set value + 1 (1 to 8)
- Note 4. SSLND set value + 2 (2 to 9)

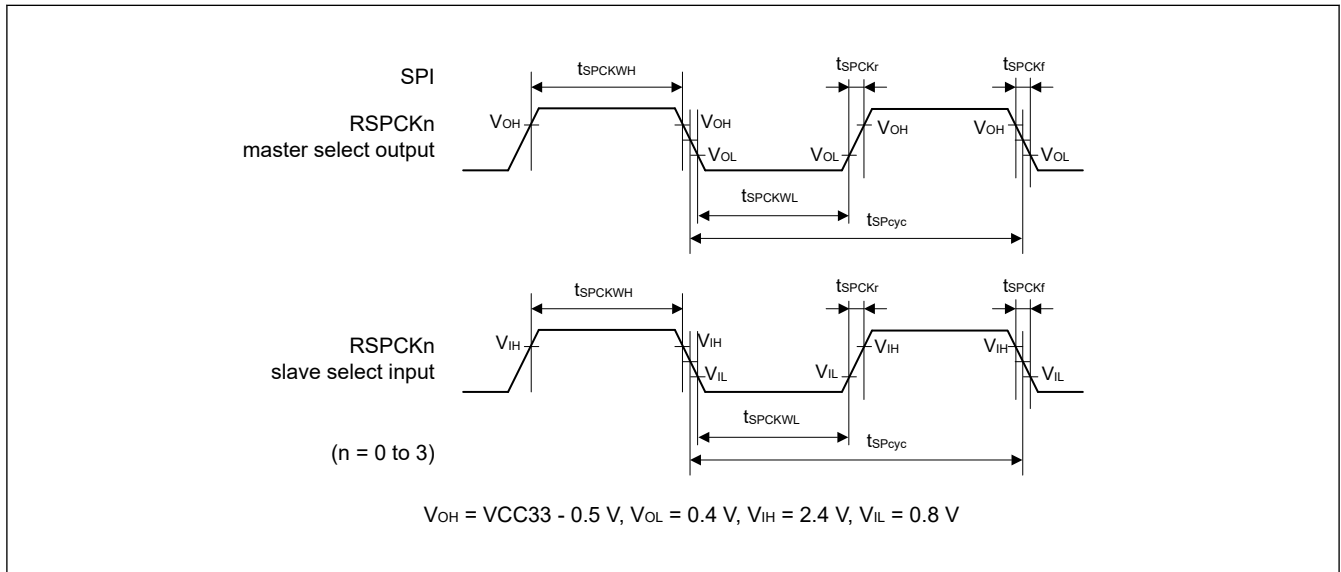


Figure 2.65 SPI clock timing

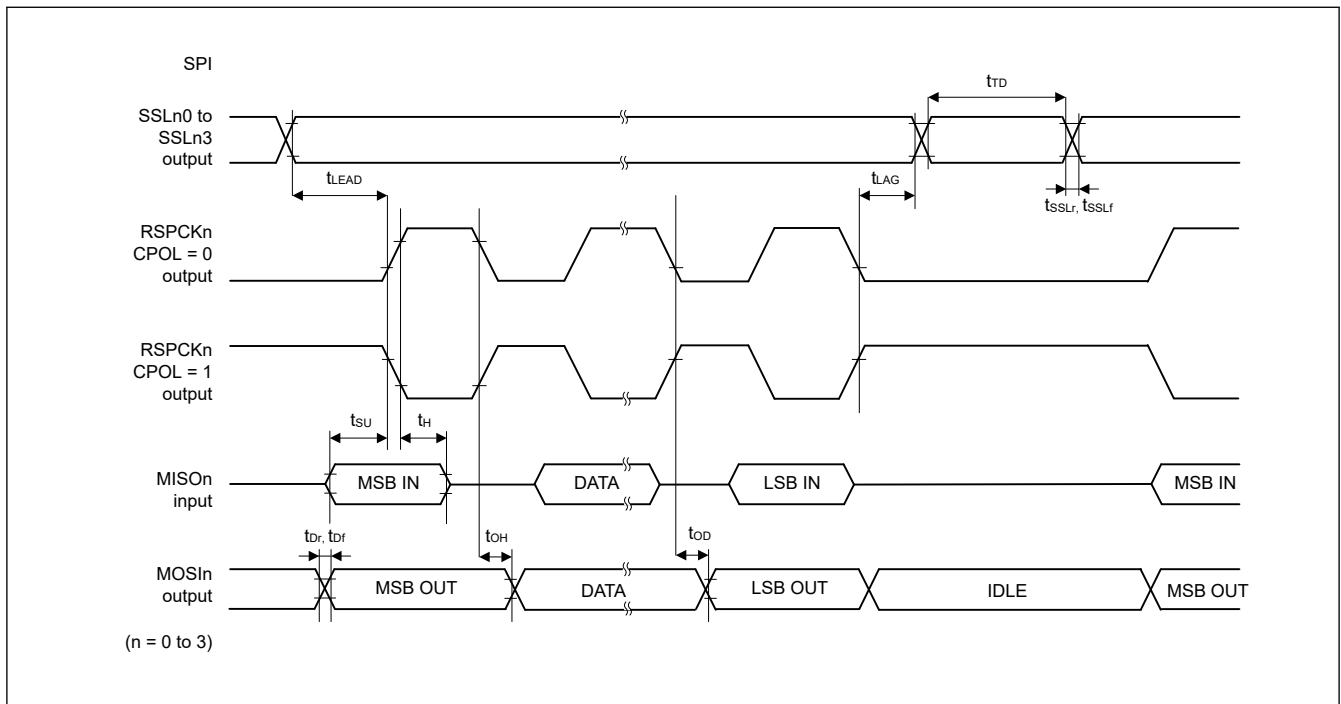


Figure 2.66 SPI timing (Master, Motorola SPI, CPHA = 0)

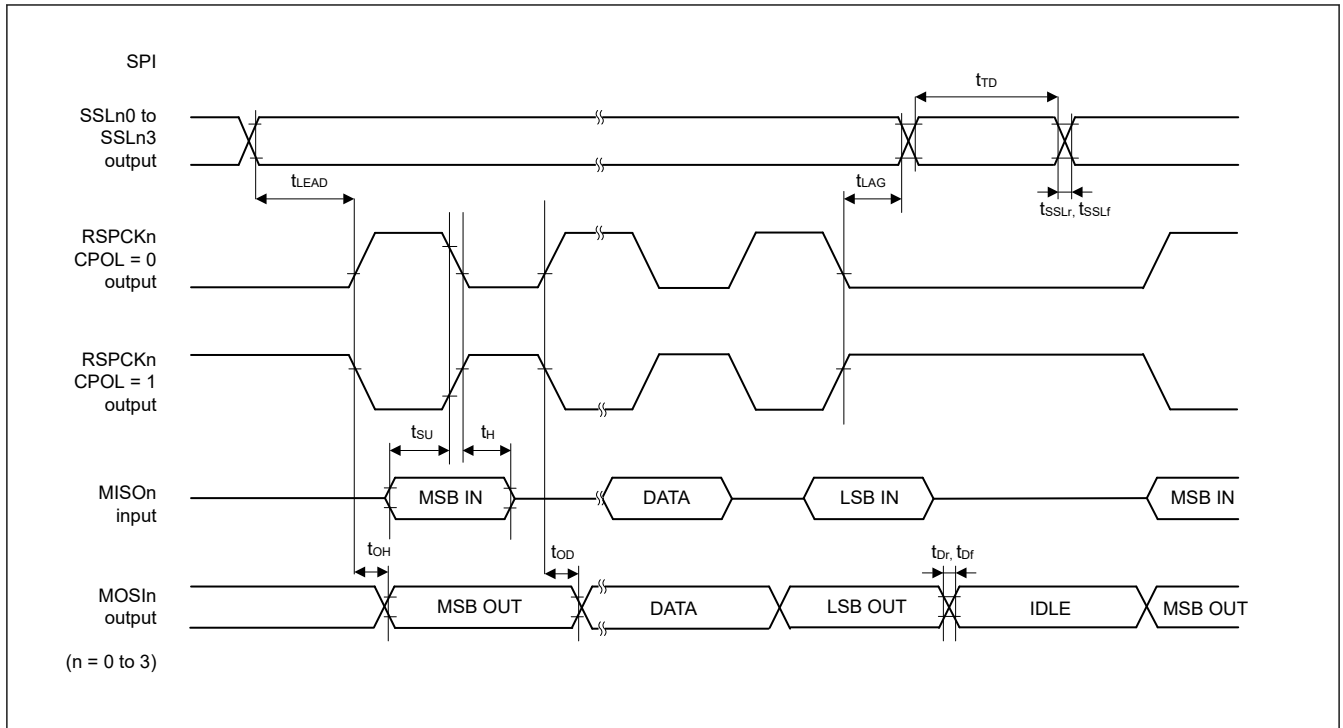


Figure 2.67 SPI timing (Master, Motorola SPI, CPHA = 1)

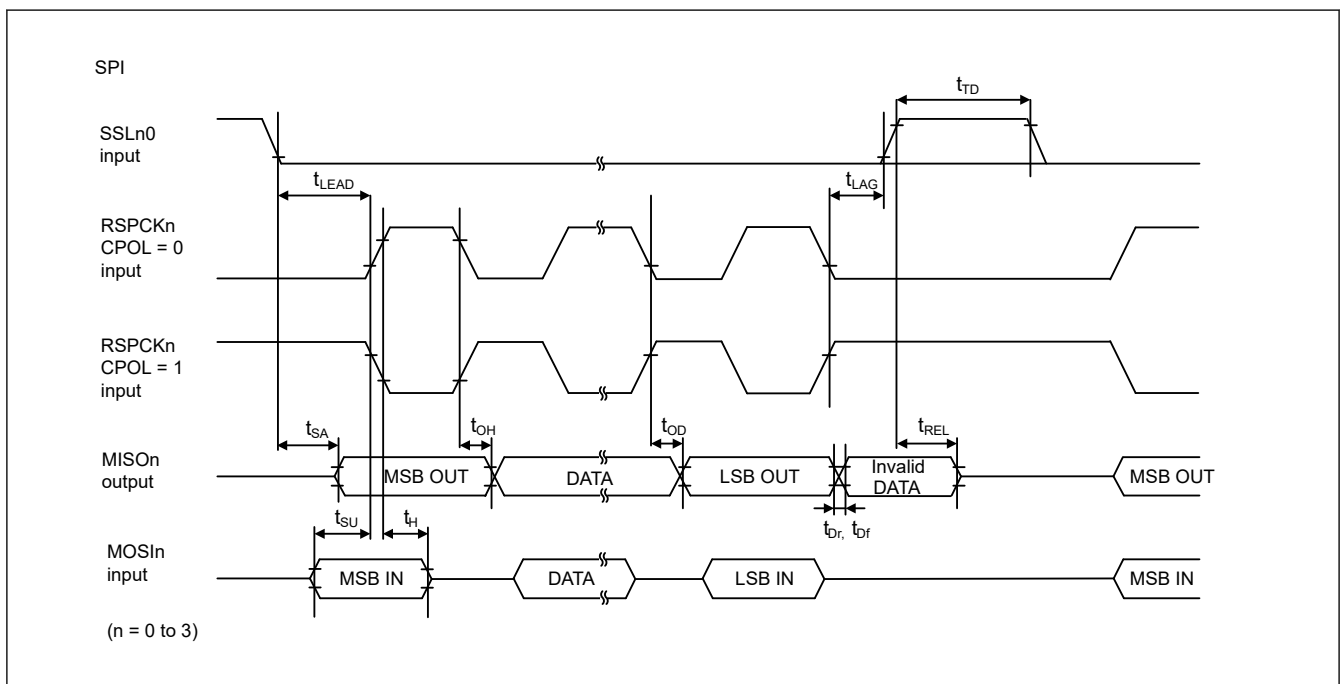


Figure 2.68 SPI timing (Slave, Motorola SPI, CPHA = 0)

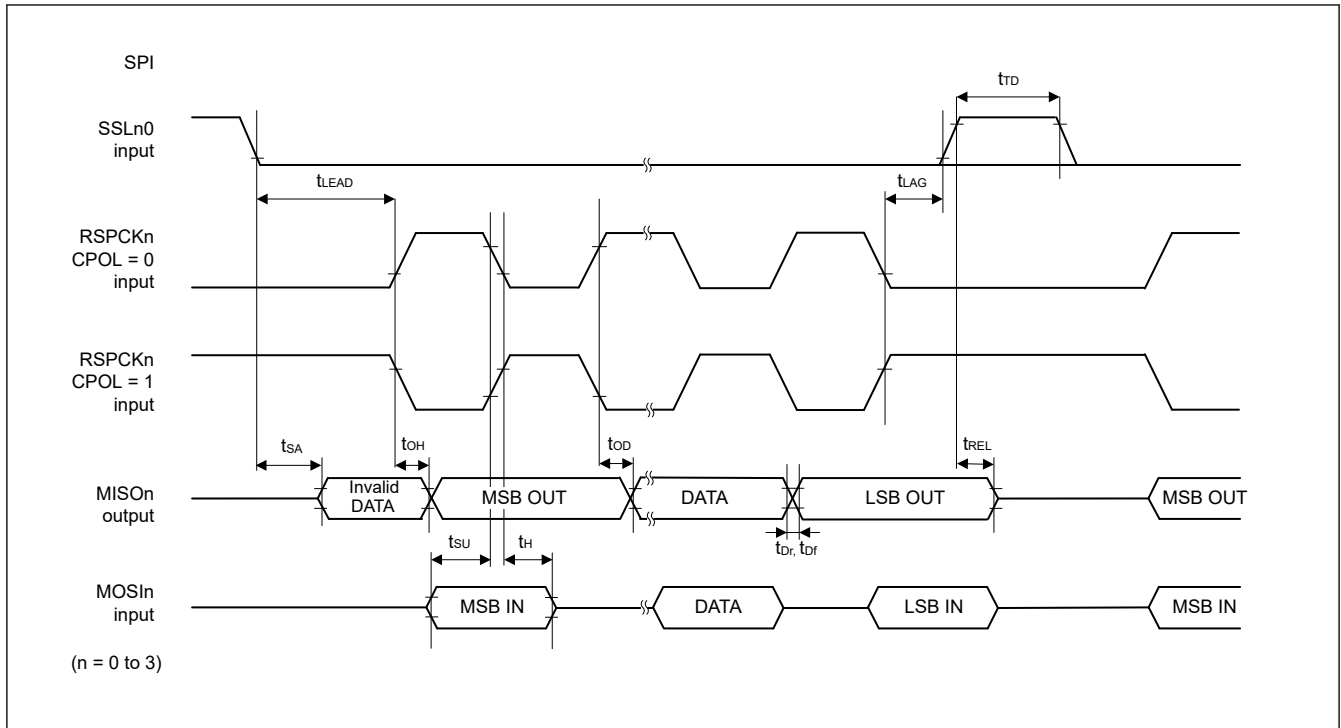


Figure 2.69 SPI timing (Slave, Motorola SPI, CPHA = 1)

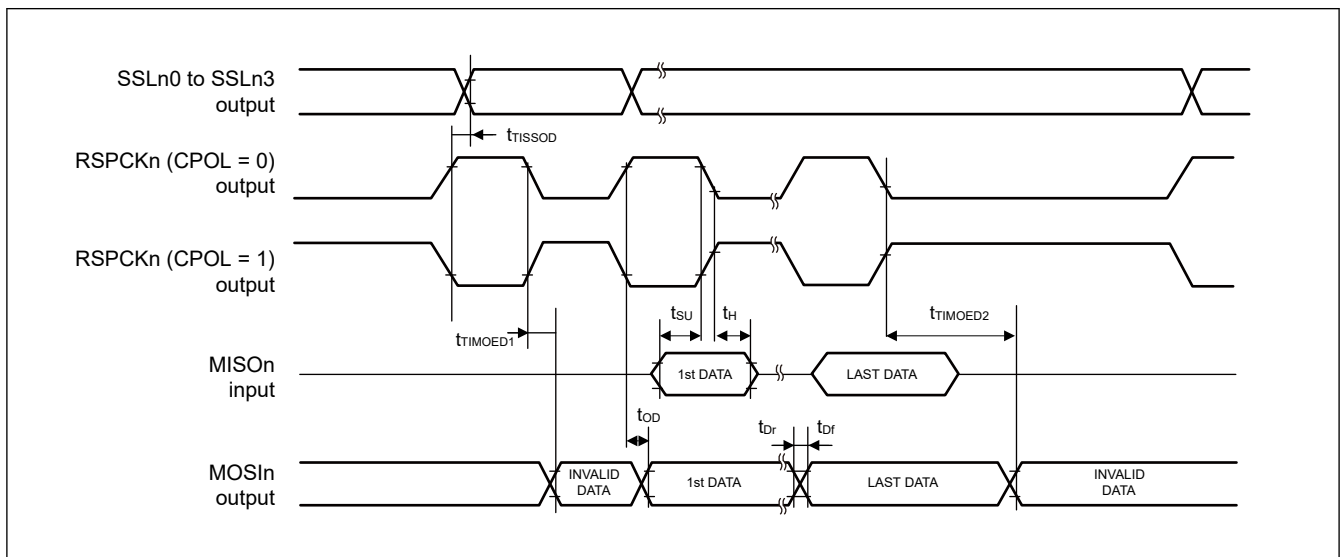


Figure 2.70 SPI timing (Master, TI SSP)

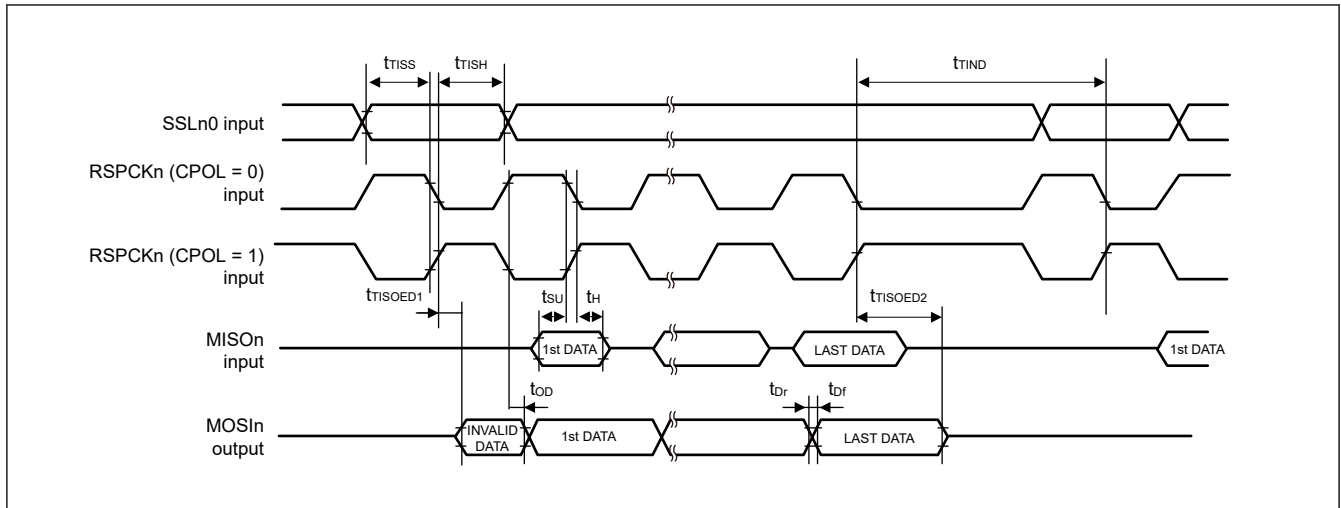


Figure 2.71 SPI timing (Slave, TI-SSP, with delay in burst transfer)

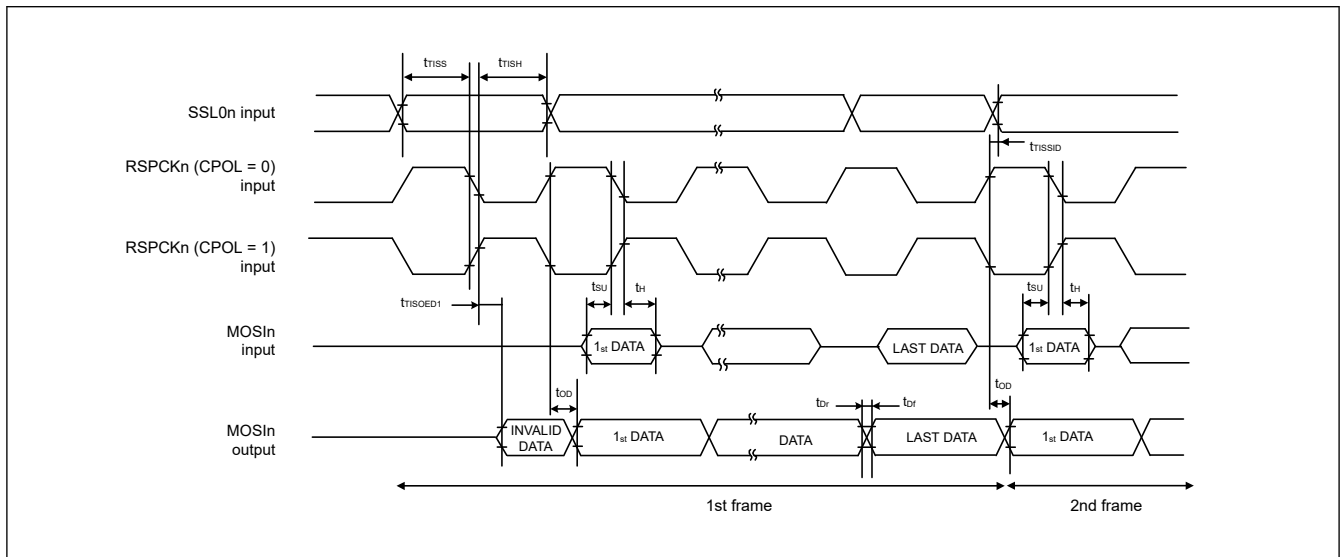


Figure 2.72 SPI timing (Slave, TI-SSP, without delay in burst transfer)

2.5.5.12 xSPI Timing

Conditions:

Single end Clock

$$V_{OH} = V_{CC18} \times 0.5, V_{OL} = V_{CC18} \times 0.5, C = 15 \text{ pF (1.8 V)}$$

$$V_{OH} = V_{CC33} \times 0.5, V_{OL} = V_{CC33} \times 0.5, C = 15 \text{ pF (3.3 V)}$$

Data

$$V_{OH} = V_{CC18} \times 0.5, V_{OL} = V_{CC18} \times 0.5, C = 15 \text{ pF (1.8 V)}$$

$$V_{OH} = V_{CC33} \times 0.5, V_{OL} = V_{CC33} \times 0.5, C = 15 \text{ pF (3.3 V)}$$

Table 2.36 xSPI timing

Parameter	Symbol	1.8 V		3.3 V		Unit	Reference figure	
		Min.	Max.	Min.	Max.			
Cycle time	SDR	t_{PERIOD}	7.5	—	13.3	—	ns	Figure 2.73
	DDR		10.0	—	13.3	—	ns	
Clock output slew rate		t_{SRck}	0.75/0.56*2	—	0.56	—	V/ns	
Clock Duty cycle distortion		t_{CKDCD}	0.0	$t_{PERIOD} \times 0.05$	0.0	$t_{PERIOD} \times 0.05$	ns	
Clock Minimum Pulse width		t_{CKMPW}	$t_{PERIOD} \times 0.45$	—	$t_{PERIOD} \times 0.45$	—	ns	
Differential clock crossing voltage		$V_{OX(AC)}$	$0.4 \times VCC18$	$0.6 \times VCC18$	—	—	V	
DS Duty cycle distortion		t_{DSDCD}	0.0	$t_{PERIOD} \times 0.04$	0.0	$t_{PERIOD} \times 0.04$	ns	
DS Minimum Pulse width		t_{DSMPW}	$t_{PERIOD} \times 0.41$	—	$t_{PERIOD} \times 0.41$	—	ns	
Data input/output slew rate		t_{SR}	0.75/0.56*2	—	0.56	—	V/ns	
Data input setup time (to CK)	SDR	t_{SU}	2.0	—	2.4	—	ns	Figure 2.74
Data input hold time (to CK)		t_{H}	1.0	—	1.0	—	ns	
Data output delay time		t_{OD}	—	1.0^{*3}	—	1.4^{*3}	ns	
Data output hold time		t_{OH}	-1.0	—	-2.3	—	ns	
Data output buffer off time		t_{BOFF}	-1.0	—	-2.3	—	ns	
Data input setup time (to DS)	DDR*1 *3	t_{SU}	-0.8	—	-0.8	—	ns	Figure 2.75, Figure 2.76
Data input hold time (to DS)		t_{H}	$t_{PERIOD} \times 0.41 - 0.8$	—	$t_{PERIOD} \times 0.41 - 0.8$	—	ns	
Data output setup time (to CK)		t_{SUO}	1.0	—	1.0	—	ns	
Data output hold time (to CK)		t_{HO}	1.0	—	1.0	—	ns	
CS Low to Clock High		t_{CSLCKH}	$6.0/8.0^{*2} *4$	—	8.0^{*4}	—	ns	Figure 2.74 to Figure 2.76
Clock Low to CS High		t_{CKLCSH}	$6.0/8.0^{*2}$	—	8.0	—	ns	
CS High time		t_{CSTD}	1	16	1	16	t_{PERIOD}	
DS Low to CS High		t_{DSLCSH}	$6.0/8.0^{*2}$	—	10.6	—	ns	Figure 2.77
CS High to DS Tri-State		t_{CSHDST}	0.0	t_{PERIOD}	0.0	t_{PERIOD}	ns	
CS Low to DS Low		t_{CSLDSL}	0.0	—	0.0	—	ns	
DS Tri-State to CS Low		t_{DSTCSL}	0.0	—	0.0	—	ns	

Note 1. The DS shift setting (WRAPCFG.DSSFTCSx[4:0]) is 01000b for xSPI200.

Note 2. Specification at 133 MHz / Specification at 100 MHz

Note 3. These are values when the OEN assertion is extended in the Output Enable Asserting extension bit (COMCFG.OEASTEX = 1).

Note 4. These are the values when the CS assertion is extended in the CS asserting extension bit (LIOCFGCSn.CSASTEX = 1).

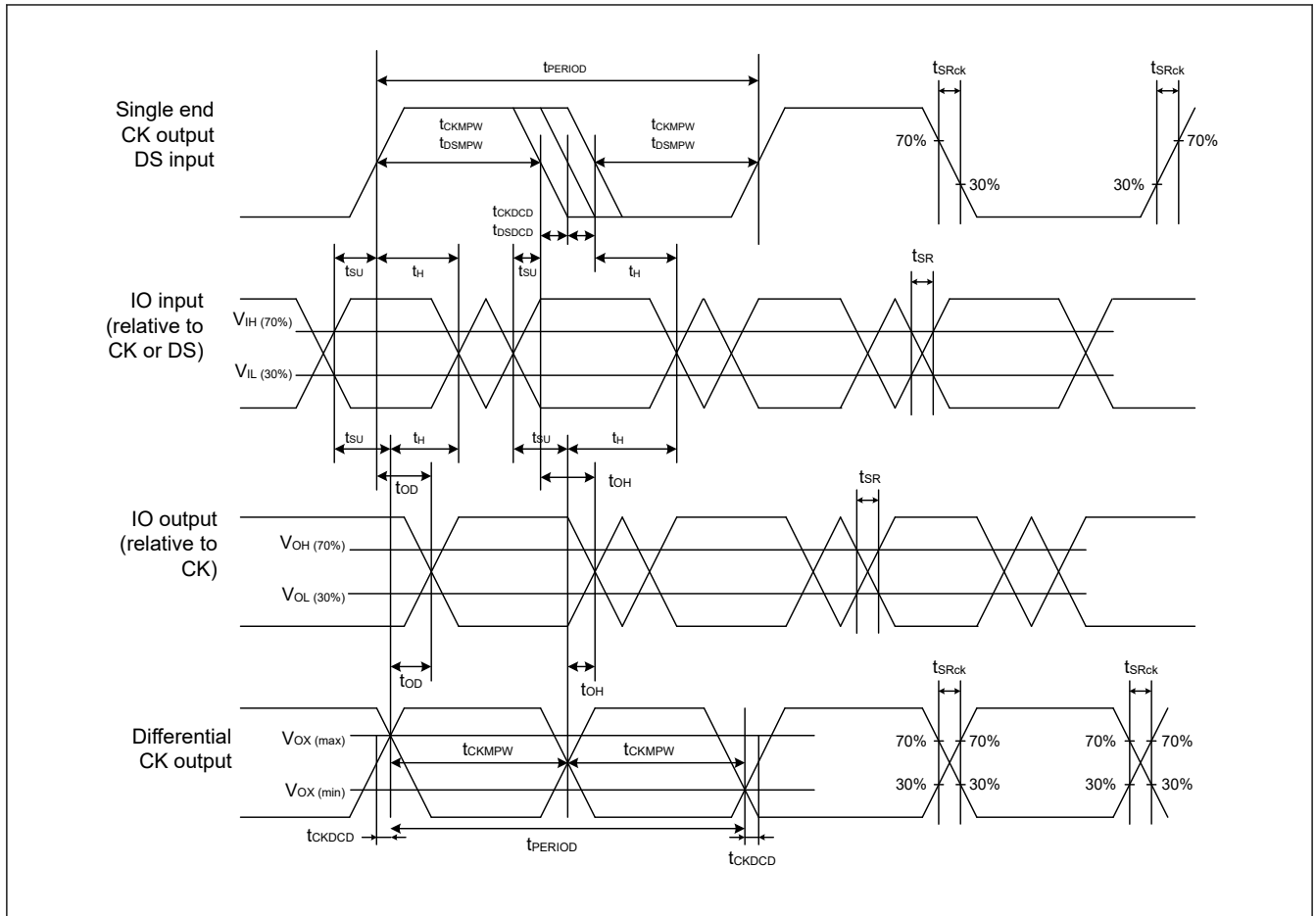


Figure 2.73 xSPI clock / DS timing

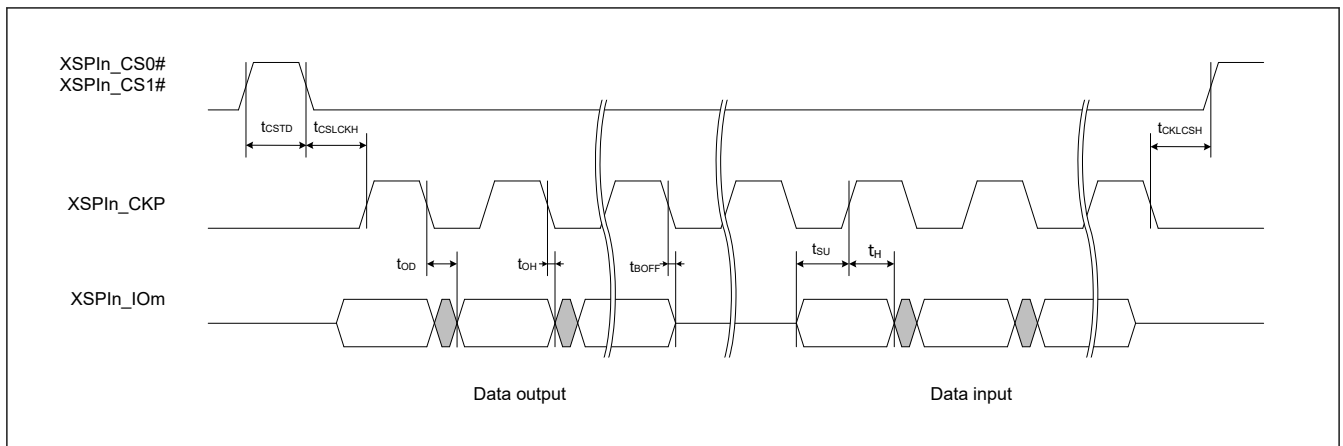


Figure 2.74 SDR transmit/receive timing (1S-1S-1S, 1S-2S-2S, 2S-2S-2S, 1S-4S-4S, 4S-4S-4S)

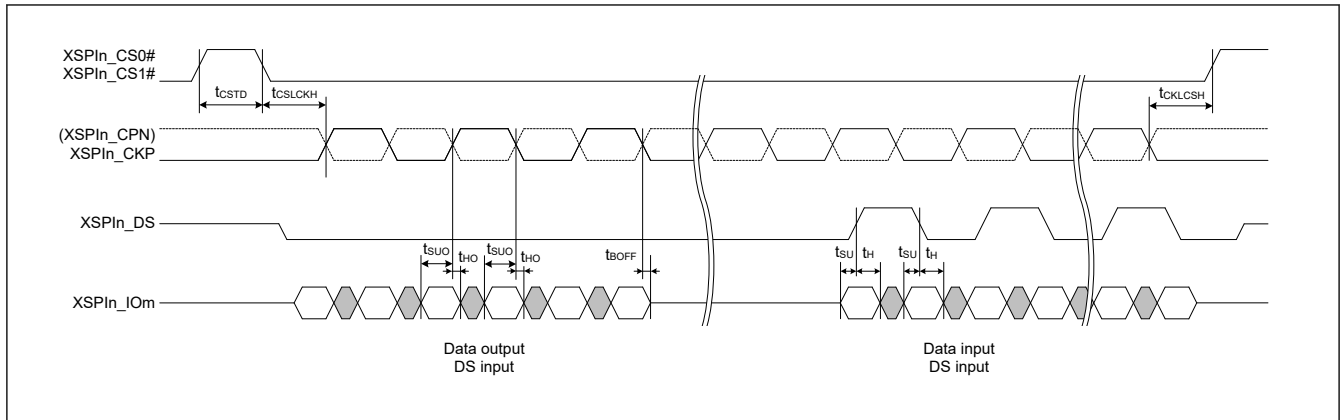


Figure 2.75 DDR transmit/receive timing (4S-4D-4D, 8D-8D-8D)

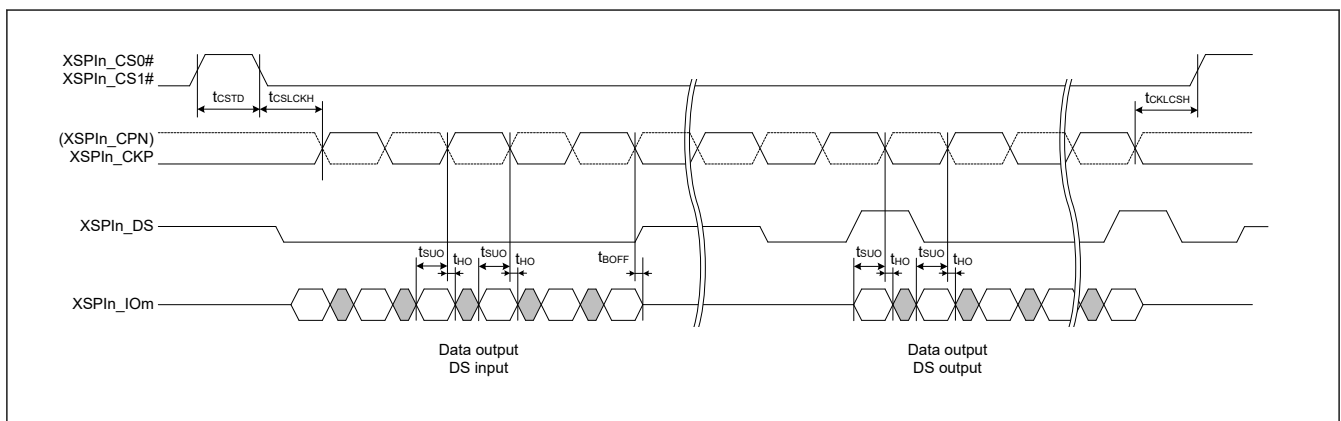


Figure 2.76 DDR transmit/receive timing (HyperRAM write)

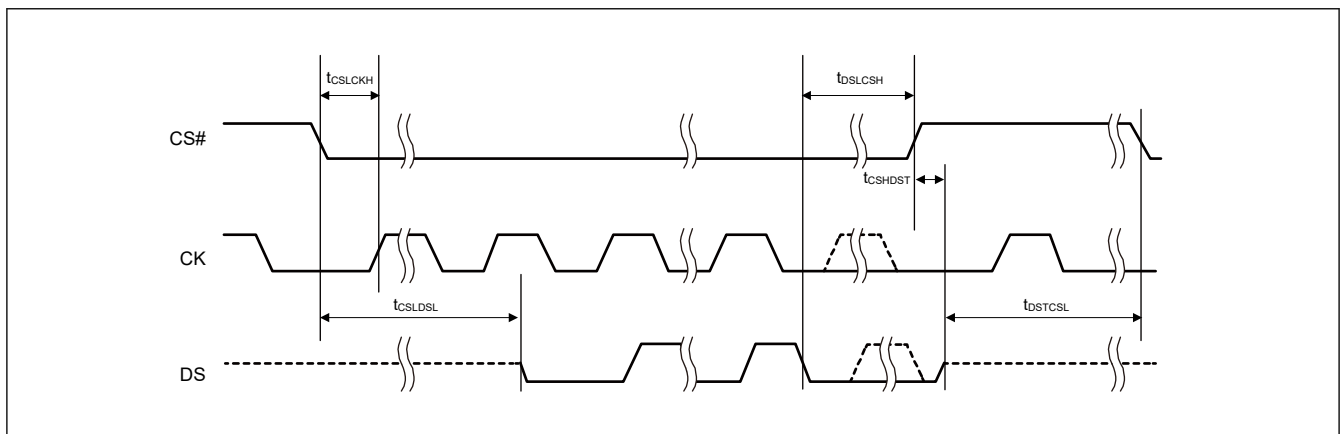


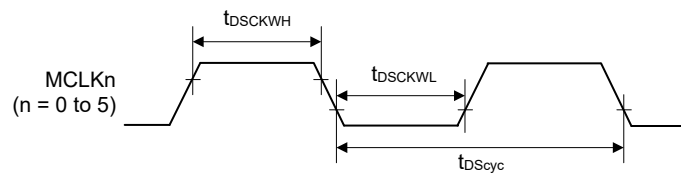
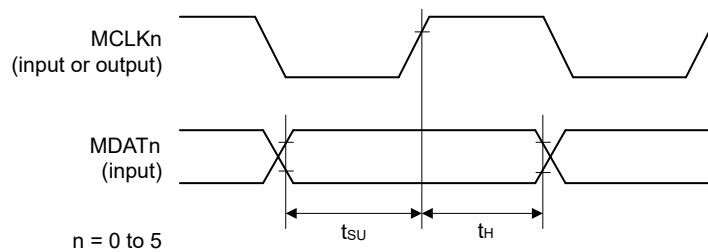
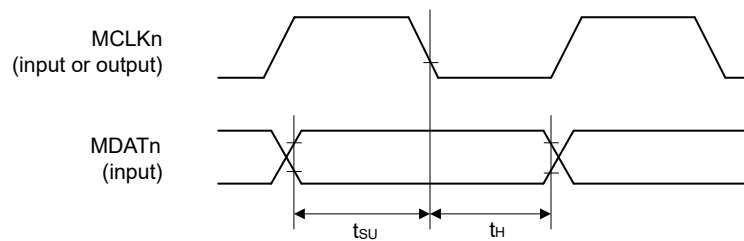
Figure 2.77 DS to CS signal timing

2.5.5.13 Delta-Sigma Interface Timing

Conditions: $V_{OH} = V_{CC33} \times 0.5$, $V_{OL} = V_{CC33} \times 0.5$, $C = 30$ pF

Table 2.37 $\Delta\Sigma$ interface timing

Parameter		Symbol	Min.	Max.	Unit	Reference figure	
DSMIF	Clock cycle	Master	t_{DScyc}	40	200	ns	Figure 2.78
		Slave		40	200		
	Clock high level	Master	t_{DSCKWH}	16	—	ns	
		Slave		16	—		
	Clock low level	Master	t_{DSCKWL}	16	—	ns	
		Slave		16	—		
Setup time	Master	t_{SU}	15	—	ns	Figure 2.79, Figure 2.80	
	Slave		10	—			
Hold time	Master	t_H	0	—	ns		
	Slave		10	—			

**Figure 2.78 Clock input/output timing****Figure 2.79 Reception timing (MCLKn rising synchronous)****Figure 2.80 Reception timing (MCLKn falling synchronous)**

2.5.5.14 Ethernet Interface Timing

Conditions:

$$V_{OH} = V_{CC18} \times 0.5, V_{OL} = V_{CC18} \times 0.5, C = 15 \text{ pF (RGMII)}$$

$$V_{OH} = V_{CC33} \times 0.5, V_{OL} = V_{CC33} \times 0.5, C = 25 \text{ pF (RMII)}$$

$$V_{OH} = V_{CC33} \times 0.5, V_{OL} = V_{CC33} \times 0.5, C = 30 \text{ pF (MII)}$$

Table 2.38 Ethernet interface timing

Parameter		Symbol	Min.	Max.	Unit	Reference figure	
Ethernet (RGMII)	ETHn_TXCLK, ETHn_RXCLK cycle time duration	1 Gbps	$t_{RGMIIck}$	7.2	8.8	ns	Figure 2.81
		100 Mbps		36	44		
		10 Mbps		360	440		
	ETHn_TXCLK, ETHn_RXCLK frequency	1 Gbps	—	125 – 50 ppm	125 + 50 ppm	MHz	
		100 Mbps		25 – 50 ppm	25 + 50 ppm		
		10 Mbps		2.5 – 50 ppm	2.5 + 50 ppm		
	ETHn_TXCLK, ETHn_RXCLK duty cycle	1 Gbps	—	45	55	%	
		100 Mbps 10 Mbps		40	60		
	ETHn_TXCLK, ETHn_TXD0 to ETHn_TXD3, ETHn_TXEN (TX_CTL), ETHn_RXCLK, ETHn_RXD0 to ETHn_RXD3, ETHn_RXDV (RX_CTL) rise/fall time		t_{RGMIIr} , t_{RGMIIl}	—	0.75	ns	
	ETHn_TXD0 to ETHn_TXD3, ETHn_TXEN (TX_CTL) to ETHn_TXCLK output skew		$t_{RGMIIos}$	-0.5	0.5	ns	
ETHn_RXD0 to ETHn_RXD3, ETHn_RXDV (RX_CTL) setup time		$t_{RGMIIls}$	1	—	ns		
ETHn_RXD0 to ETHn_RXD3, ETHn_RXDV (RX_CTL) hold time		t_{RGMIIh}	1	—	ns		
Ethernet (RMII)	ETHn_RXCLK cycle time		t_{RMIIck}	20	—	ns	Figure 2.82
	ETHn_RXCLK frequency Typ. 50 MHz		—	50 – 50 ppm	50 + 50 ppm	MHz	
	ETHn_RXCLK duty		—	35	65	%	
	ETHn_RXCLK rise/fall time		$t_{RMIIckr}$, $t_{RMIIckf}$	0.5	3.5	ns	
	ETHn_TXD0, ETHn_TXD1, ETHn_TXEN output delay time		t_{RMIIld}	2.5	12	ns	
	ETHn_RXD0, ETHn_RXD1, ETHn_RXER, ETHn_RXDV (CRS_DV) setup time		t_{RMIIls}	4	—	ns	
	ETHn_RXD0, ETHn_RXD1, ETHn_RXER, ETHn_RXDV (CRS_DV) hold time		t_{RMIIh}	2	—	ns	
	ETHn_TXD0, ETHn_TXD1, ETHn_TXEN, ETHn_RXD0, ETHn_RXD1, ETHn_RXER, ETHn_RXDV (CRS_DV) rise/fall time		t_{RMIIr} , t_{RMIIl}	0.5	4	ns	
Ethernet (MII)	ETHn_TXCLK, ETHn_RXCLK cycle time	100 Mbps	t_{MIck}	40	—	ns	Figure 2.83
		10 Mbps		400	—		
	ETHn_TXCLK, ETHn_RXCLK frequency	100 Mbps	—	25 – 50 ppm	25 + 50 ppm	MHz	
		10 Mbps		2.5 – 50 ppm	2.5 + 50 ppm		
	ETHn_TXD0 to ETHn_TXD3, ETHn_TXEN, ETHn_TXER output delay time		t_{MIld}	1	20	ns	
	ETHn_RXD0 to ETHn_RXD3, ETHn_RXDV, ETHn_RXER setup time		t_{MIls}	10	—	ns	
ETHn_RXD0 to ETHn_RXD3, ETHn_RXDV, ETHn_RXER hold time		t_{MIlh}	10	—	ns		

Table 2.39 Ethernet interface timing (MAC to MAC connection mode)

Parameter		Symbol	Min.	Max.	Unit	Reference figure
Ethernet (RGMII)	ETH2_TXCLK, ETH2_RXCLK cycle time	$t_{MRGMIIck}$	7.2	8.8	ns	Figure 2.84
	ETH2_TXCLK, ETH2_RXCLK frequency Typ. 125 MHz	—	125 – 50 ppm	125 + 50 ppm	MHz	
	ETH2_TXCLK, ETH2_RXCLK duty cycle	—	45	55	%	
	ETH2_TXCLK, ETH2_TXD0 to ETH2_TXD3, ETH2_TXEN (TX_CTL), ETH2_RXCLK, ETH2_RXD0 to ETH2_RXD3, ETH2_RXDV (RX_CTL) rise/fall time	$t_{MRGMIIr}$, $t_{MRGMIIl}$	—	0.75	ns	
	ETH2_TXD0 to ETHn_TXD3, ETHn_TXEN (TX_CTL) output skew	$t_{MRGMIIos}$	—	0.6	ns	
	ETH2_TXD0 to ETH2_TXD3, ETH2_TXEN (TX_CTL) output setup time	$t_{MRGMIIso}$	1.1	—	ns	
	ETH2_TXD0 to ETH2_TXD3, ETH2_TXEN (TX_CTL) output hold time	$t_{MRGMIIho}$	1.1	—	ns	
	ETH2_RXD0 to ETH2_RXD3, ETH2_RXDV (RX_CTL) input setup time	$t_{MRGMIIsi}$	-0.7	—	ns	
	ETH2_RXD0 to ETH2_RXD3, ETH2_RXDV (RX_CTL) input hold time	$t_{MRGMIIhi}$	2.9	—	ns	
	Ethernet (MII)	ETH2_REFCLK cycle time	t_{MMIIck}	40	—	
ETH2_REFCLK frequency Typ. 25 MHz		—	25 – 50 ppm	25 + 50 ppm	MHz	
ETH2_TXD0 to ETH2_TXD3, ETH2_TXEN, ETH2_TXER output delay time		$t_{MMII d}$	11	25	ns	
ETH2_RXD0 to ETH2_RXD3, ETH2_RXDV, ETH2_RXER setup time		$t_{MMII s}$	10	—	ns	
ETH2_RXD0 to ETH2_RXD3, ETH2_RXDV, ETH2_RXER hold time		$t_{MMII h}$	0	—	ns	

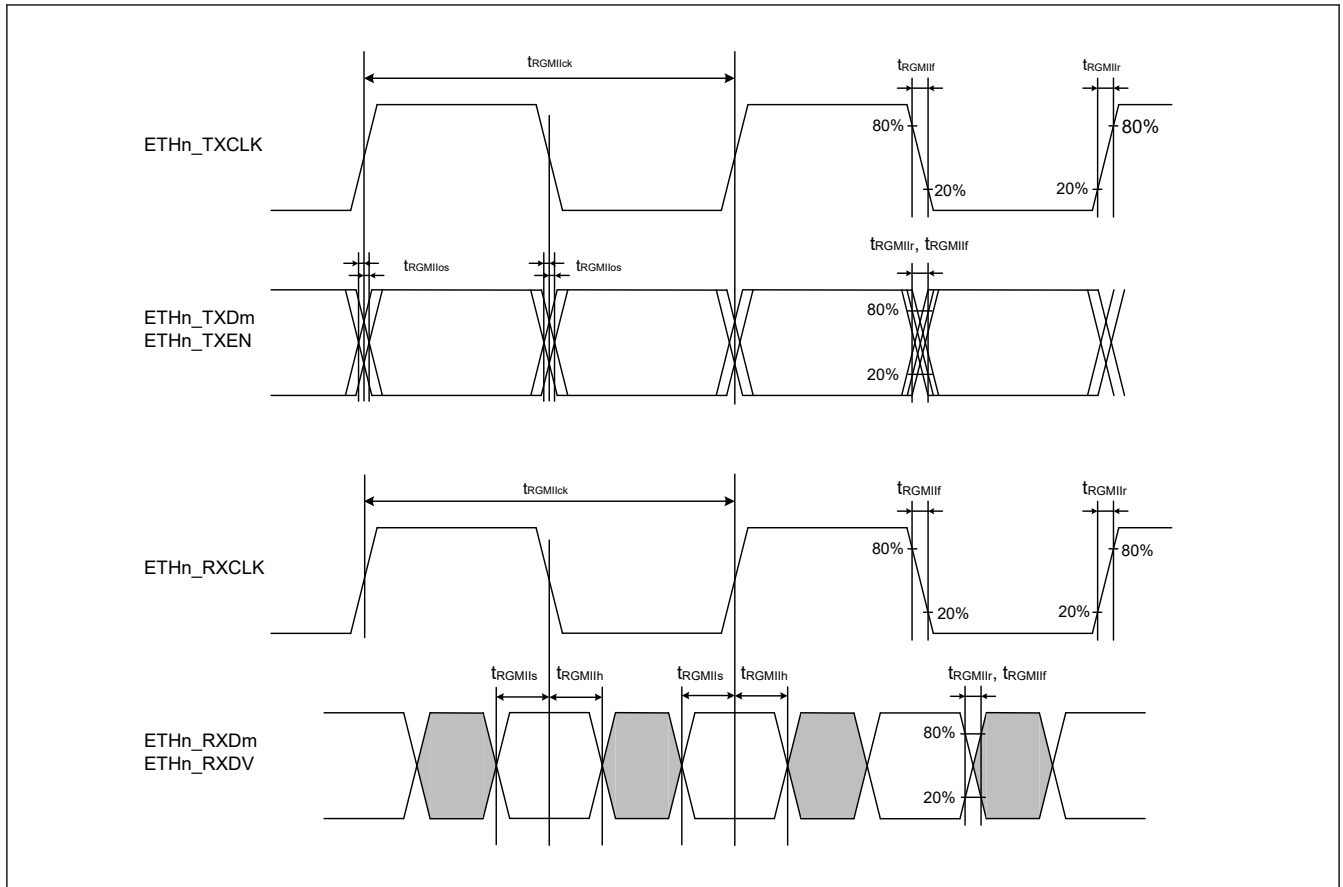


Figure 2.81 RGMII transmission and reception timing (n = 0 to 2, m = 0 to 3)

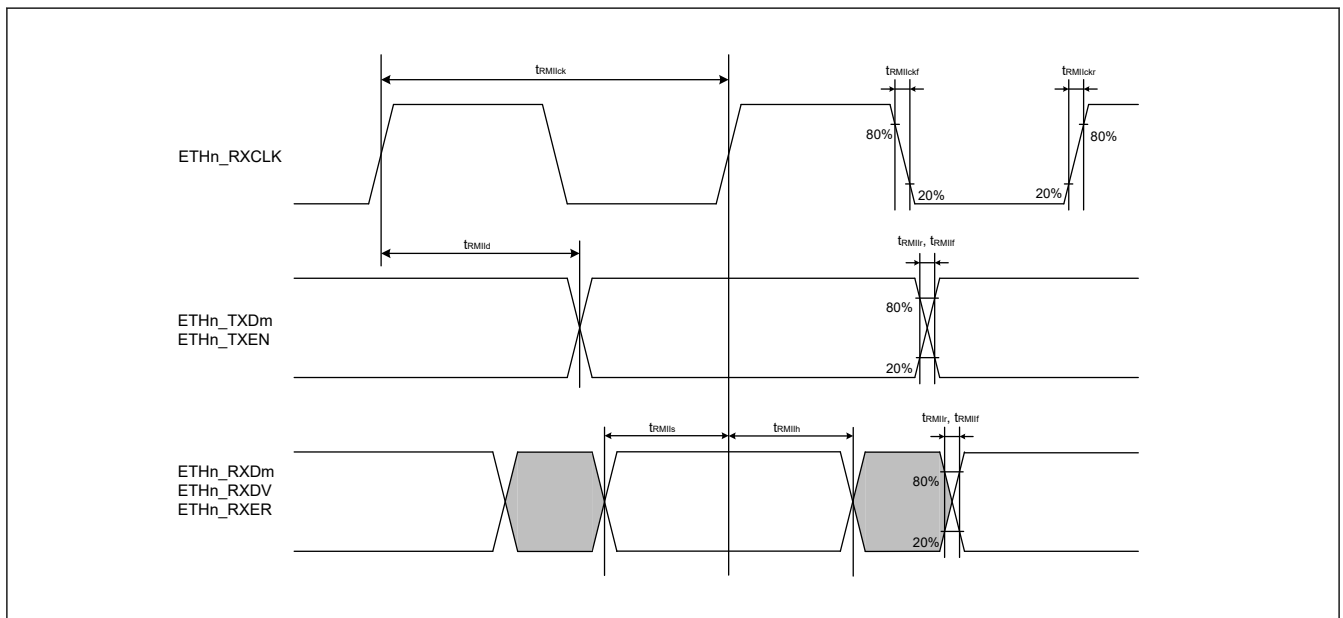


Figure 2.82 RMI1 transmission and reception timing (n = 0 to 2, m = 0 to 1)

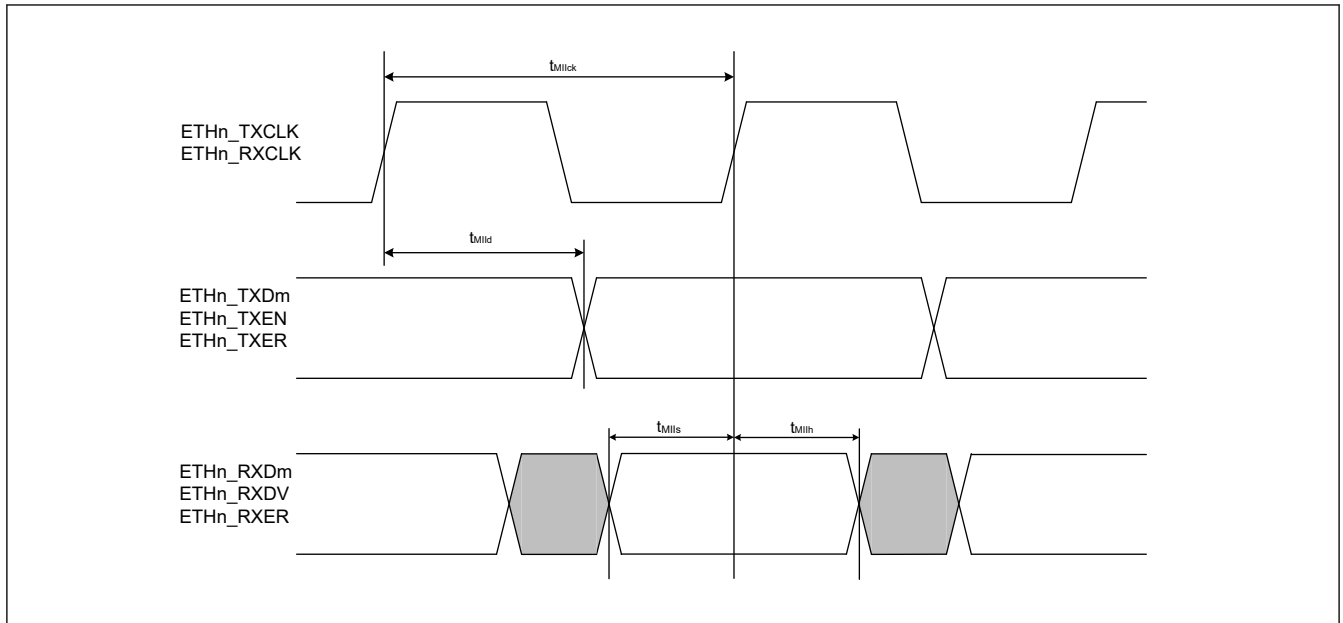


Figure 2.83 MII transmission and reception timing (n = 0 to 2, m = 0 to 3)

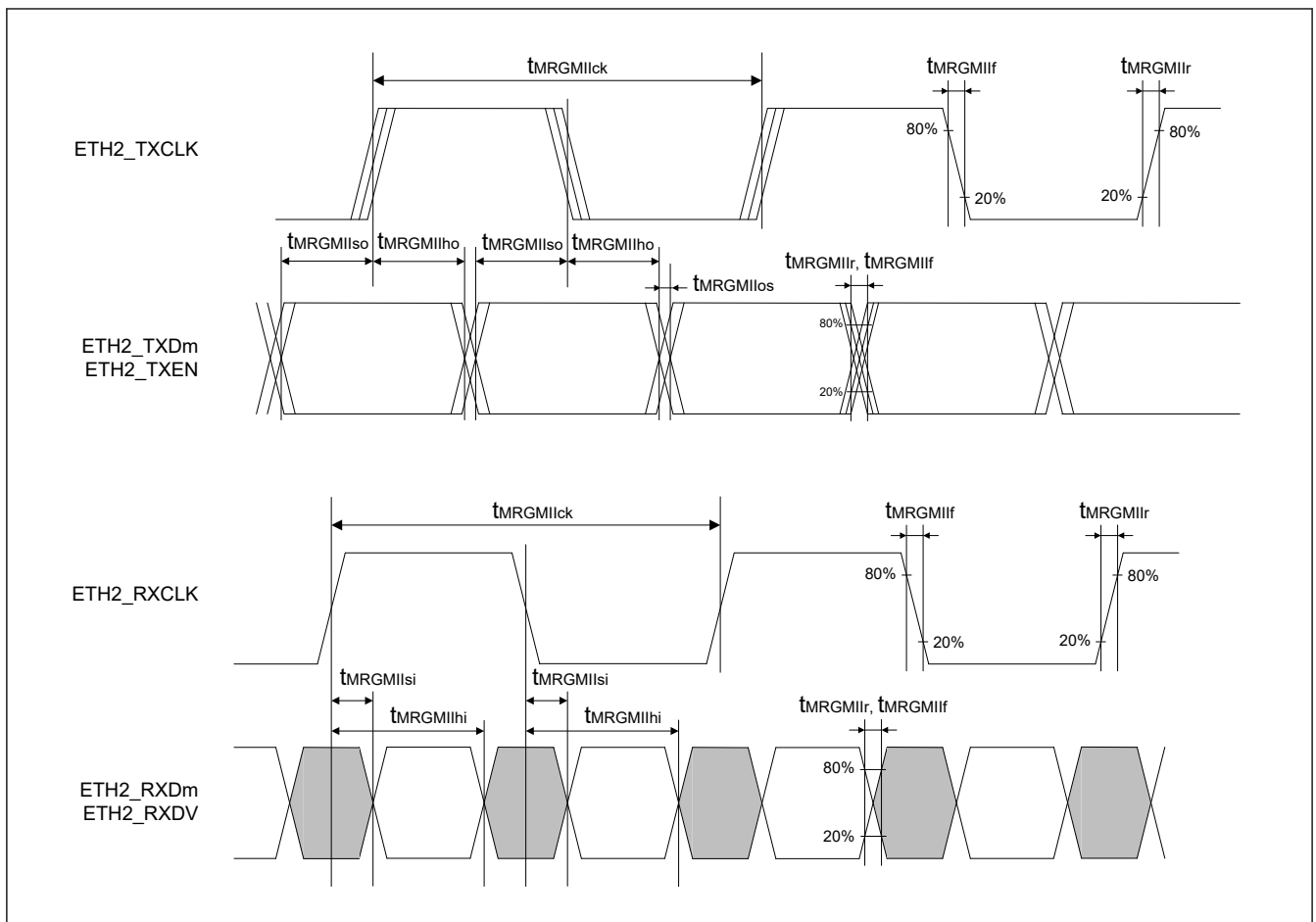


Figure 2.84 RGMII transmission and reception timing (MAC to MAC connection mode) (m = 0 to 3)

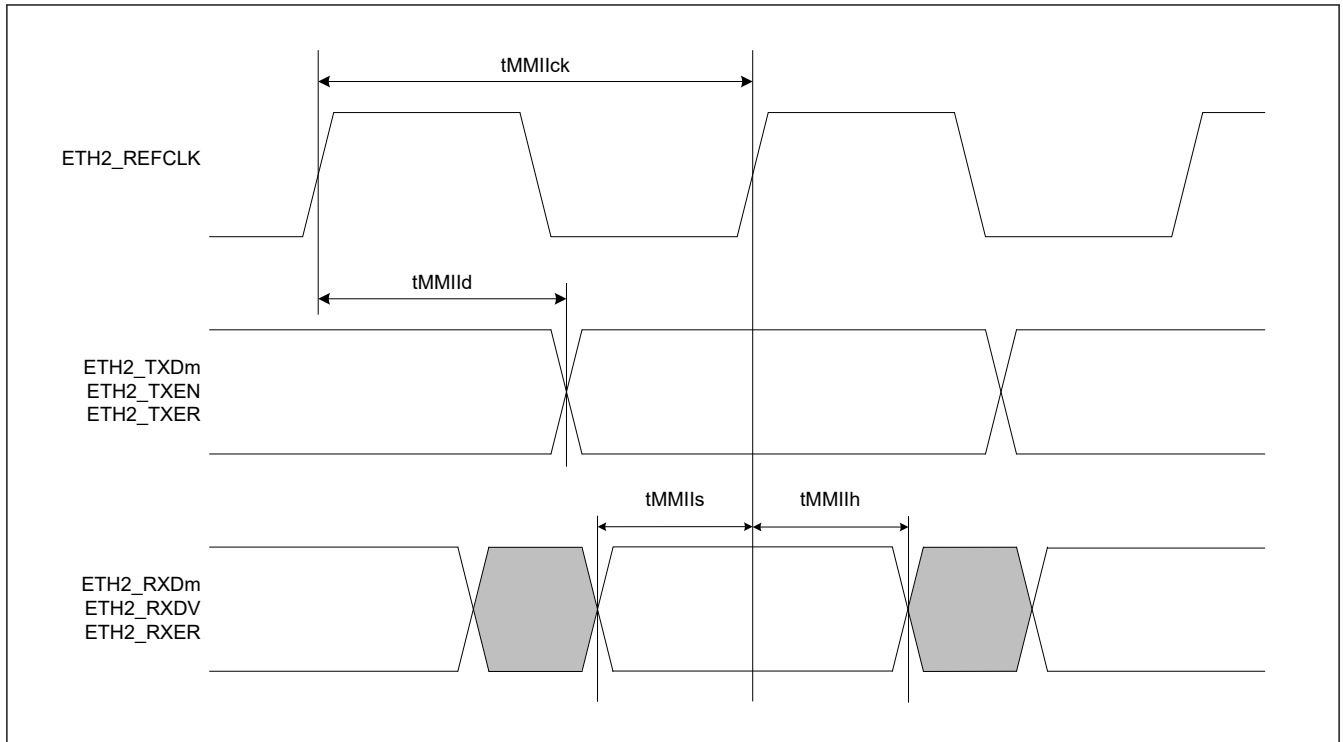


Figure 2.85 MII transmission and reception timing (MAC to MAC connection mode) (m = 0 to 3)

2.5.5.15 Serial Management Interface Timing

Conditions:

$$V_{OH} = V_{CC18} \times 0.5, V_{OL} = V_{CC18} \times 0.5, C = 30 \text{ pF (1.8 V)}$$

$$V_{OH} = V_{CC33} \times 0.5, V_{OL} = V_{CC33} \times 0.5, C = 30 \text{ pF (3.3 V)}$$

Table 2.40 Serial management interface timing

Parameter			Symbol	Min.	Max.	Unit	Reference figure
MDIO	MDC output cycle time	GMAC_MDC, ETHSW_MDC	T _{MDCck}	80	—	ns	Figure 2.86
		ESC_MDC		400	—	ns	
	MDIO output delay time (for MDC fall) ^{*1}		T _{MDIOd}	—	20	ns	
	MDIO input setup time (for MDC rise)		T _{MDIOs}	18	—	ns	
	MDIO input hold time (for MDC rise)	GMAC_MDC, ETHSW_MDC	T _{MDIOh}	0	—	ns	
ESC_MDC		10		—	ns		

Note 1. The output timing from ETHSW is based on the rising edge of MDC, and the output delay can be set in the register.

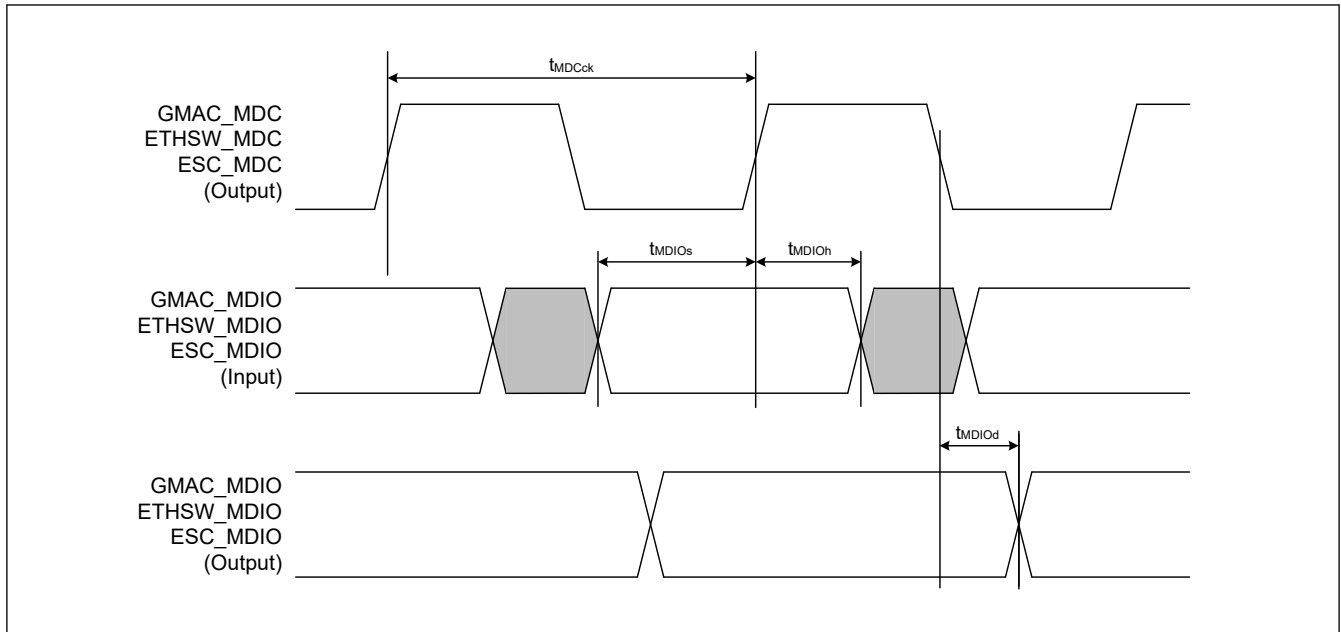


Figure 2.86 Serial management interface timing

2.6 USB Characteristics

Table 2.41 On-chip USB low-speed (host only) characteristics

Parameter	Symbol	Min.	Typ.	Max.	Unit	Reference figure
Rising time	t_{LR}	75	—	300	ns	Figure 2.87, Figure 2.88
Falling time	t_{LF}	75	—	300	ns	
Rising/falling time ratio	t_{LR}/t_{LF}	80	—	125	%	

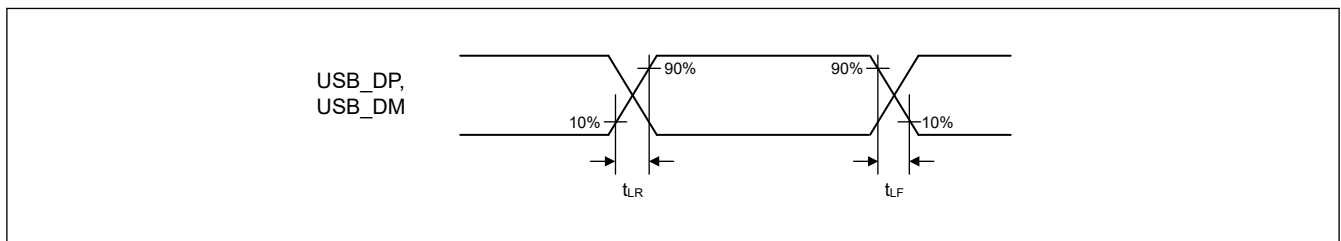


Figure 2.87 USB_DP, USB_DM output timing (low-speed/host only)

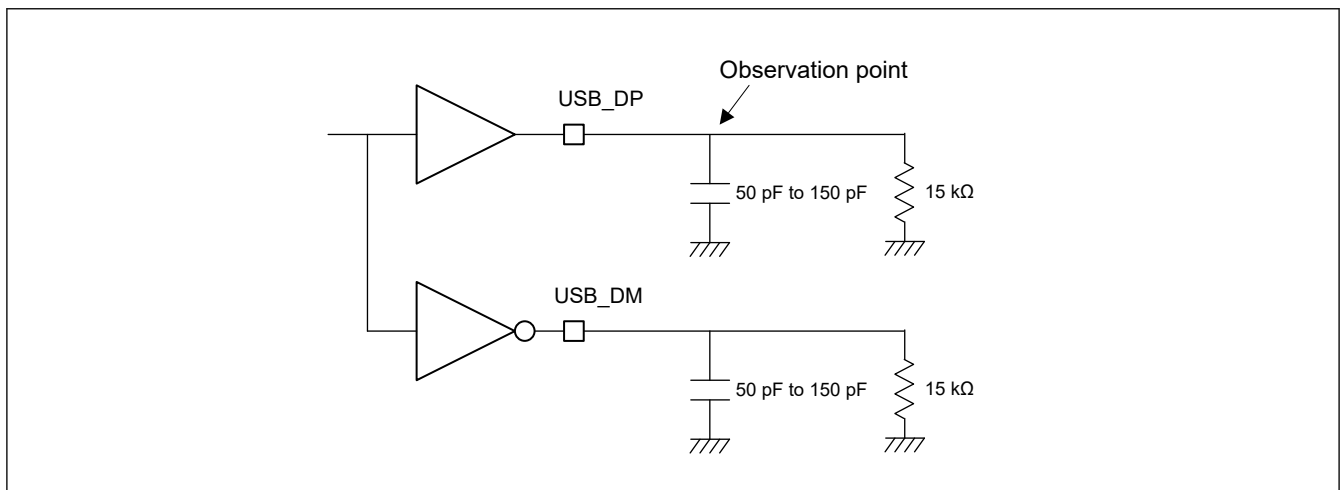
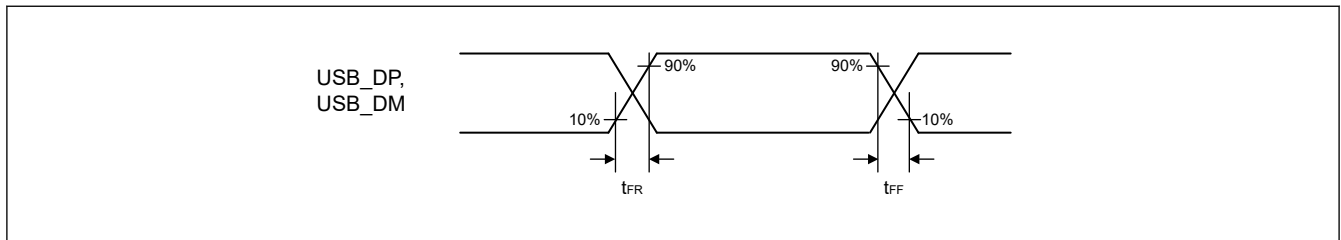
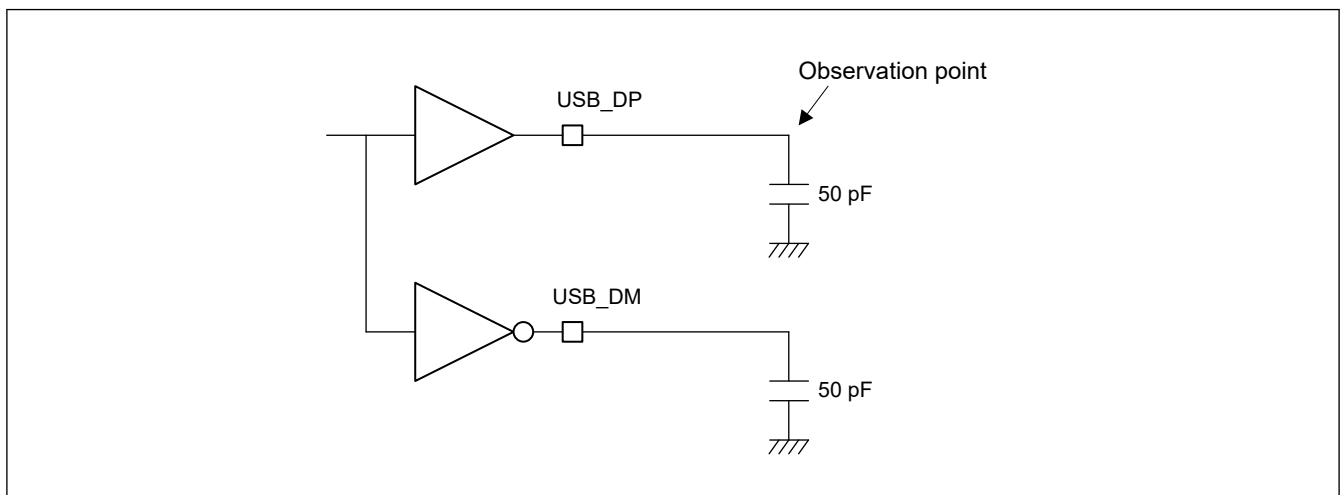


Figure 2.88 Measurement circuit (low-speed/host only)

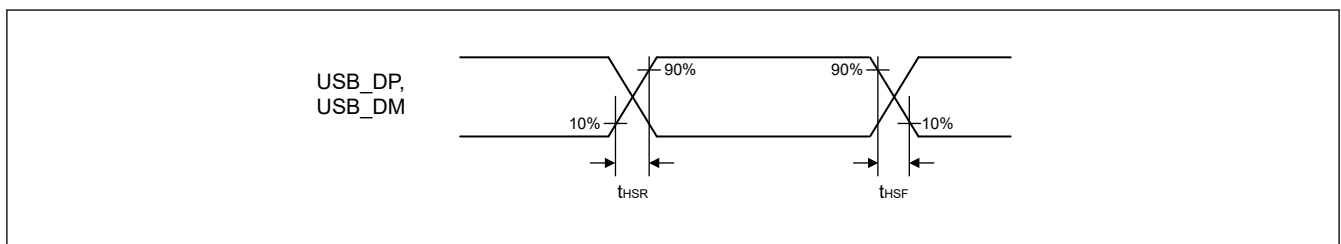
Table 2.42 On-chip USB full-speed characteristics

Parameter	Symbol	Min.	Typ.	Max.	Unit	Reference figure
Rising time	t_{FR}	4	—	20	ns	Figure 2.89, Figure 2.90
Falling time	t_{FF}	4	—	20	ns	
Rising/falling time ratio	t_{FR}/t_{FF}	90	—	111.11	%	

**Figure 2.89 USB_DP, USB_DM output timing (full speed)****Figure 2.90 Measurement circuit (full speed)****Table 2.43 On-chip USB high-speed characteristics**

Parameter	Symbol	Min.	Typ.	Max.	Unit	Reference figure
Rising time	t_{HSR}	—	—	2.133	V/ μ s	Figure 2.91, Figure 2.92
Falling time	t_{HSF}	—	—	2.133	V/ μ s	
Output resistors (also used as high-speed terminating resistor)	Z_{HSDRV}	40.5	—	49.5	Ω	—

Note: The output resistors (ZHSDRV) for connection to the USB_DP and USB_DM pins are within the LSI.

**Figure 2.91 USB_DP, USB_DM output timing (high speed)**

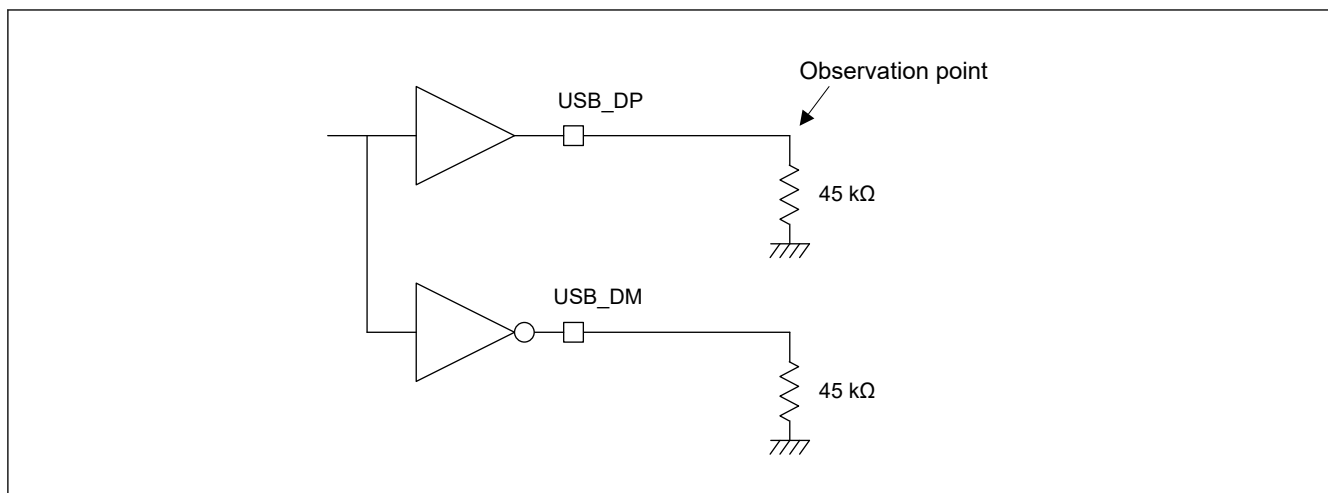


Figure 2.92 Measurement circuit (high speed)

2.7 A/D Conversion Characteristics

Table 2.44 12-Bit A/D (unit 0) conversion characteristics (1 of 2)

Parameter		Min.	Typ.	Max.	Unit	Reference figure	
Resolution		12			bits	—	
Analog input capacitance		BGA package	—	13	pF	—	
		QFP package	—	15			
Channel-dedicated sample-and-hold circuits in use (AN000 to AN002)	Conversion time*1 Permissible signal source impedance Max. = 1.0 kΩ	1.52	—	—	μs	—	
	Offset error	—	—	±13	LSB	—	
	Full-scale error	—	—	±13	LSB	—	
	Quantization error	—	±0.5	—	LSB	—	
	Absolute accuracy	BGA package	—	—	±14	LSB	—
		QFP package	—	—	±18		
	DNL differential non-linearity error	BGA package	—	—	±3	LSB	—
		QFP package	—	—	±5		
	INL integral non-linearity error	BGA package	—	—	±4	LSB	—
QFP package		—	—	±7			
Holding characteristics of sample-and-hold circuits		—	—	2.67	μs	—	
Dynamic range		0.15	—	VREFH0 - 0.15	V	—	

Table 2.44 12-Bit A/D (unit 0) conversion characteristics (2 of 2)

Parameter		Min.	Typ.	Max.	Unit	Reference figure	
Channel-dedicated sample-and-hold circuits not in use (AN000 to AN007)	Conversion time* ¹ Permissible signal source impedance Max. = 1.0 kΩ	0.84	—	—	μs	—	
	Offset error	—	—	±11	LSB	—	
	Full-scale error	—	—	±11	LSB	—	
	Quantization error	—	±0.5	—	LSB	—	
	Absolute accuracy	BGA package	—	—	±12	LSB	—
		QFP package	—	—	±14		
	DNL differential non-linearity error	BGA package	—	—	±3	LSB	—
QFP package		—	—	±5			
INL integral non-linearity error	BGA package	—	—	±4	LSB	—	
	QFP package	—	—	±7			

Note: The specified values in the table apply when there is no access to the external bus during A/D conversion. If access proceeds during A/D conversion, values may not fall within the specified ranges.

Note: The LQFP-176 and LQFP-128 do not have pins VCC1833_n, VCC18_ADC1, and VREFH1.

Note 1. The conversion time is the total of the sampling time and the comparison time.

Table 2.45 12-Bit A/D (unit 1) conversion characteristics

Parameter		Min.	Typ.	Max.	Unit	Reference figure
Resolution		12			bits	—
Conversion time* ¹	Permissible signal source impedance Max = 1.0 kΩ	0.84	—	—	μs	—
Analog input capacitance		—	—	13	pF	—
Offset error		—	—	±11	LSB	—
Full-scale error		—	—	±11	LSB	—
Quantization error		—	±0.5	—	LSB	—
Absolute accuracy		—	—	±12	LSB	—
DNL differential non-linearity error		—	—	±3	LSB	—
INL integral non-linearity error		—	—	±4	LSB	—

Note: The specified values in the table apply when there is no access to the external bus during A/D conversion. If access proceeds during A/D conversion, values may not fall within the specified ranges.

Note 1. The conversion time is the total of the sampling time and the comparison time.

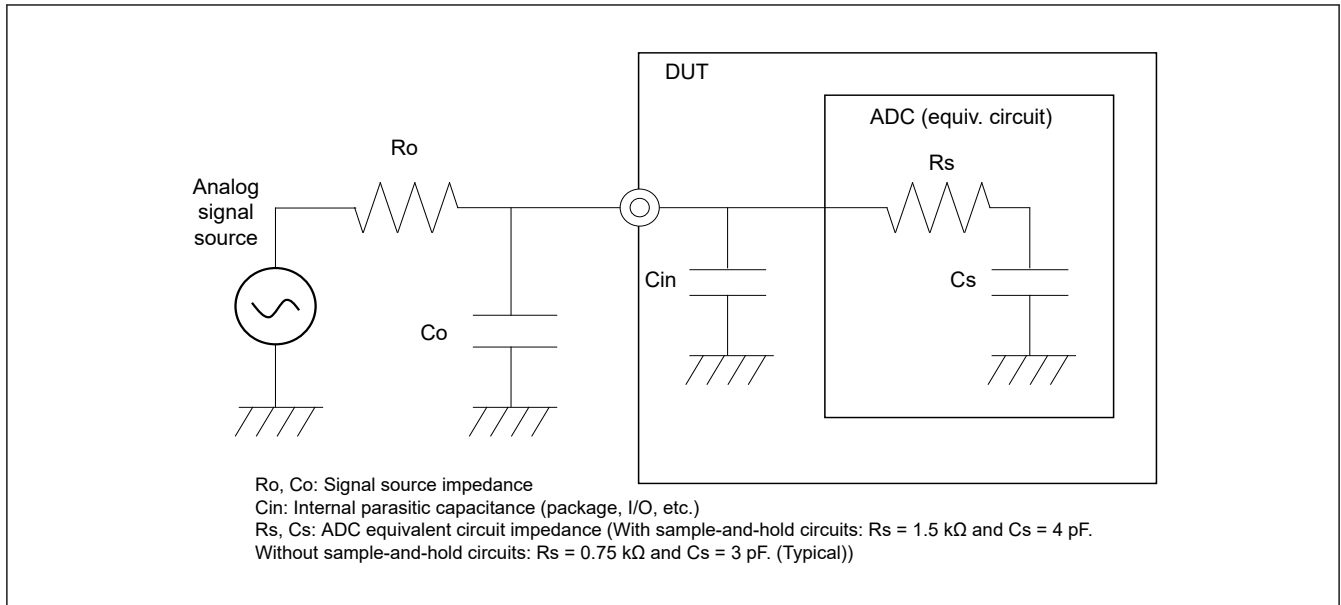


Figure 2.93 A/D converter equivalent circuit and peripheral configuration diagram

2.8 Temperature Sensor Characteristics

Table 2.46 Temperature sensor characteristics

Parameter	Min.	Typ.	Max.	Unit	Test Conditions
Relative accuracy	—	±1	—	°C	*1
Temperature slope	—	0.0625	—	°C/LSB	—
Output code (at 25°C)	—	1545 (decimal)	—	—	TSUSAD register

Note 1. 2-point calibration ($T_j = 25^\circ\text{C}$ and $T_j = 85^\circ\text{C}$) and 8 times averaging.

2.9 Debug Interface Timing

Condition: $V_{OH} = V_{CC33} \times 0.5$, $V_{OL} = V_{CC33} \times 0.5$

Table 2.47 Debug interface timing (1 of 2)

Parameter	Symbol	Min.	Max.	Unit	Reference figure
TCK cycle time	With an ICE connected	30^{*1}	—	ns	Figure 2.94
	For use in BSCAN	80	—		
TCK high pulse width	t_{TCKH}	0.4	0.6	t_{TCKcyc}	Figure 2.95 Output load: 30 pF
TCK low pulse width	t_{TCKL}	0.4	0.6	t_{TCKcyc}	
TDI setup time	t_{TDIS}	5	—	ns	
TDI hold time	t_{TDIH}	5	—	ns	
TMS/SWDIO setup time	t_{TMSS}	5	—	ns	
TMS/SWDIO hold time	t_{TMSh}	5	—	ns	
SWDIO delay time	t_{SWDO}	—	15	ns	
TDO delay time	With an ICE connected	—	15	ns	Figure 2.96
	For use in BSCAN	—	22		
Capture register setup time	t_{CAPTS}	5	—	ns	
Capture register hold time	t_{CAPTH}	5	—	ns	
Update register delay time	$t_{UPDATED}$	—	15	ns	

Table 2.47 Debug interface timing (2 of 2)

Parameter	Symbol	Min.	Max.	Unit	Reference figure
Trace clock cycle	t_{TCYC}	20	—	ns	Figure 2.97 Output load: 15 pF
Trace data delay time	Trace clock: P18_6	-2.3	3.3	ns	
	Trace clock: P17_4	-2.5	3.0		
	Trace clock: P22_2	-1.0	4.2		

Note 1. This value is the minimum cycle time for the normal operation of internal circuits.
The actual cycle time should be determined in consideration of the TCK capture edge timing and cable length of the connected ICE.

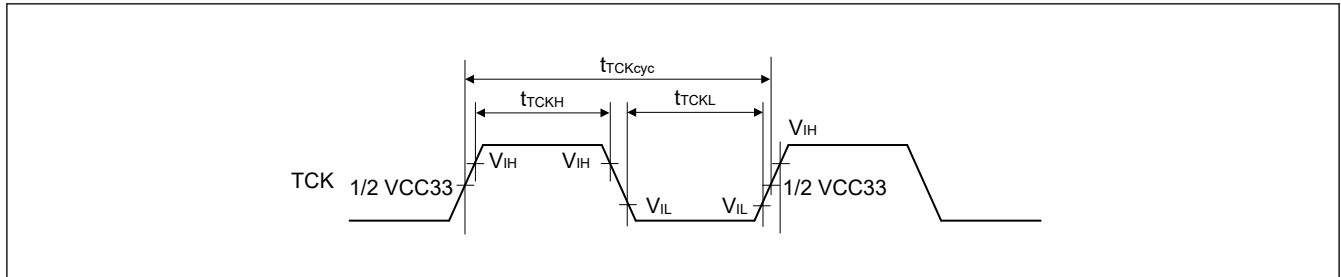


Figure 2.94 TCK input timing

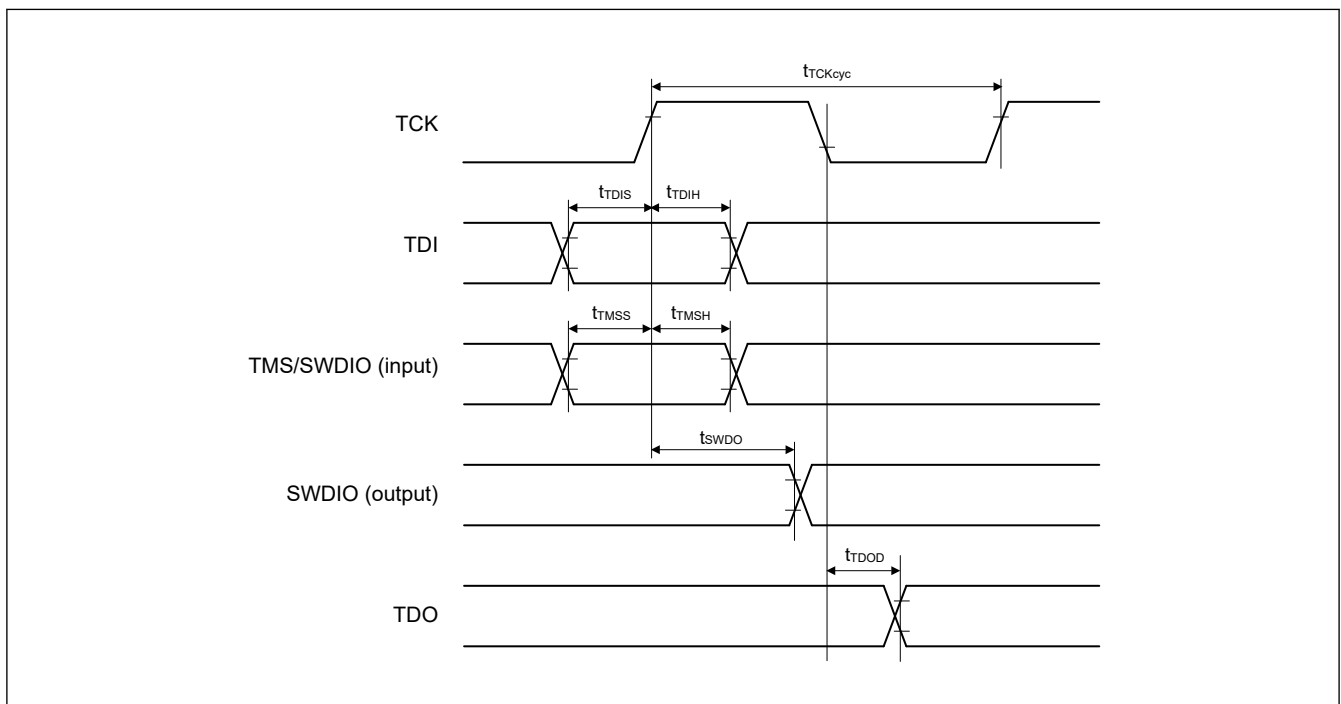


Figure 2.95 Data transfer timing

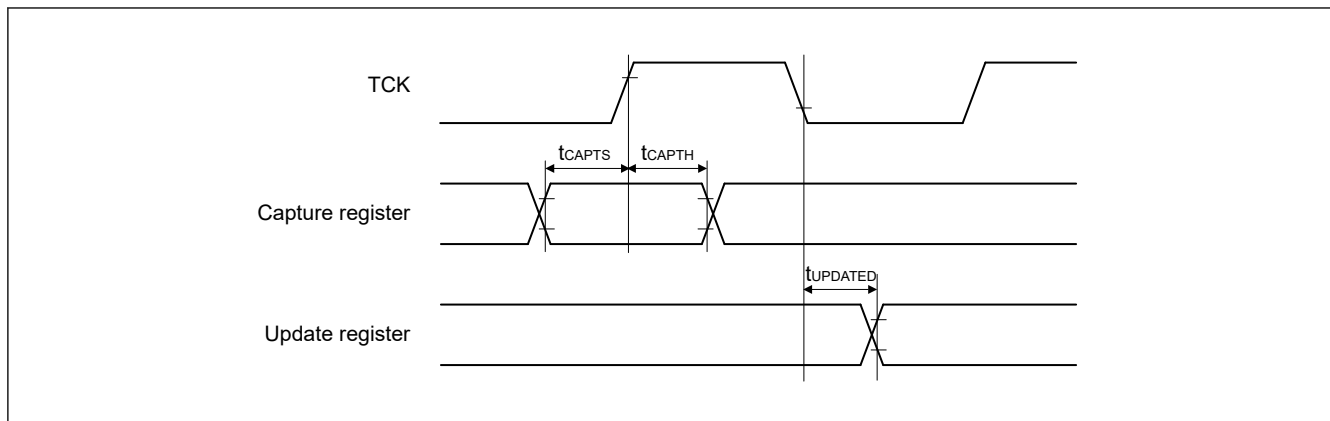


Figure 2.96 Boundary scan input/output timing

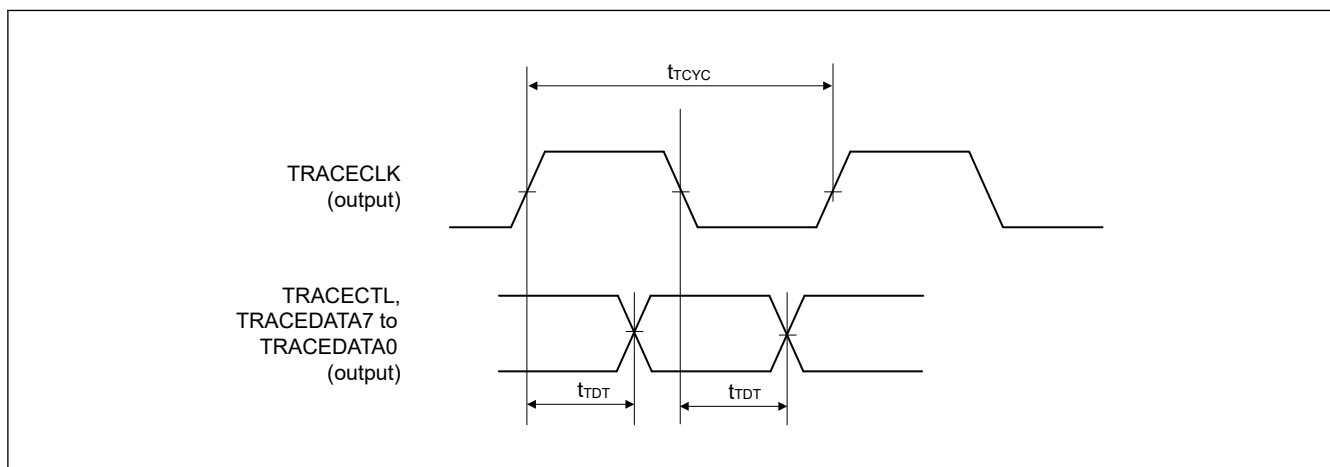
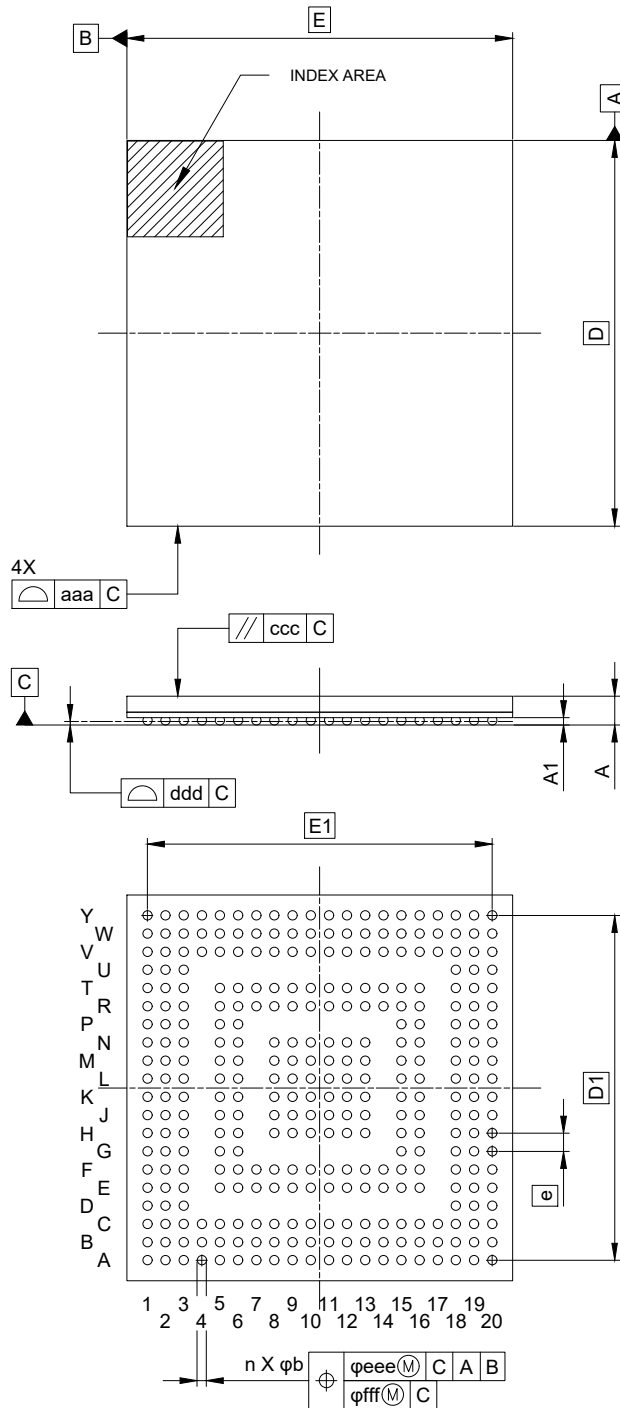


Figure 2.97 Trace interface timing

Appendix 1. Package Dimensions

Information on the latest version of the package dimensions or mountings is displayed in “Packages” on the Renesas Electronics Corporation website.

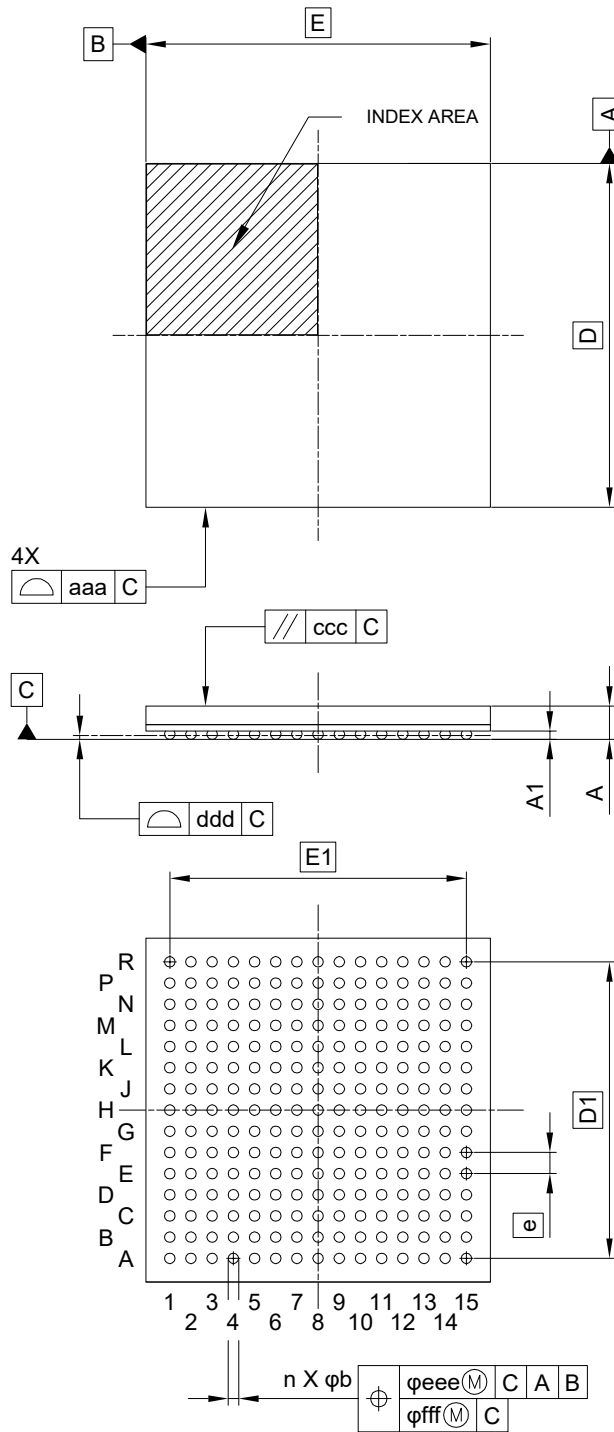
JEITA Package code	RENESAS code	MASS(TYP.)[g]
P-LFBGA320-17x17-0.80	PLBG0320GA-A	0.66



Reference Symbol	Dimension in Millimeters		
	Min.	Nom.	Max.
D	—	17.00	—
E	—	17.00	—
D1	—	15.20	—
E1	—	15.20	—
A	—	—	1.40
A1	0.27	—	—
b	0.38	0.43	0.48
e	—	0.80	—
aaa	—	—	0.15
ccc	—	—	0.20
ddd	—	—	0.15
eee	—	—	0.15
fff	—	—	0.08
n	—	320	—

Figure 1.1 320-pin FBGA

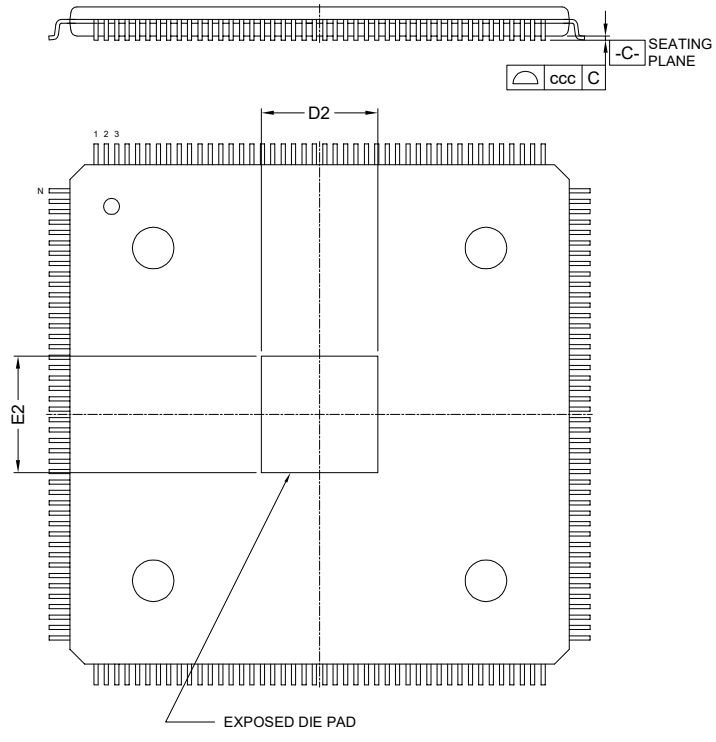
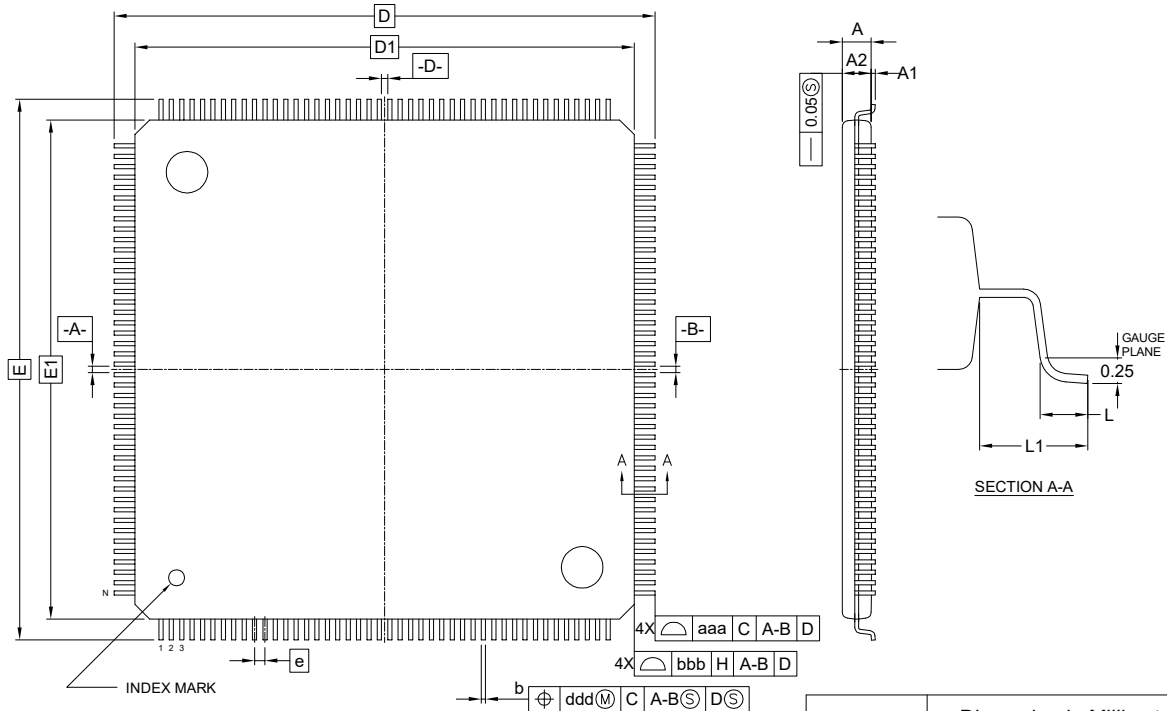
JEITA Package code	RENESAS code	MASS(TYP.)[g]
P-LFBGA225-13x13-0.80	PLBG0225GB-A	0.39



Reference Symbol	Dimension in Millimeters		
	Min.	Nom.	Max.
D	—	13.00	—
E	—	13.00	—
D1	—	11.20	—
E1	—	11.20	—
A	—	—	1.40
A1	0.27	—	—
b	0.38	0.43	0.48
e	—	0.80	—
aaa	—	—	0.15
ccc	—	—	0.20
ddd	—	—	0.12
eee	—	—	0.15
fff	—	—	0.08
n	—	225	—

Figure 1.2 225-pin FBGA

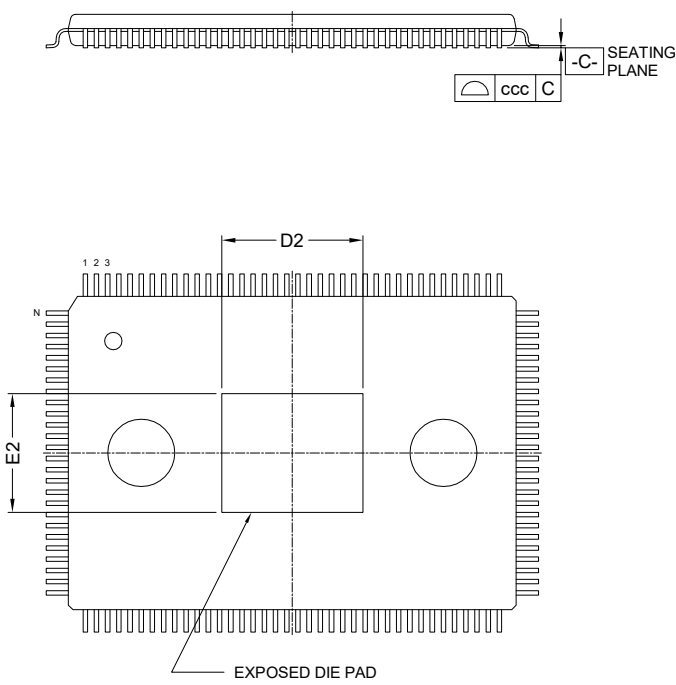
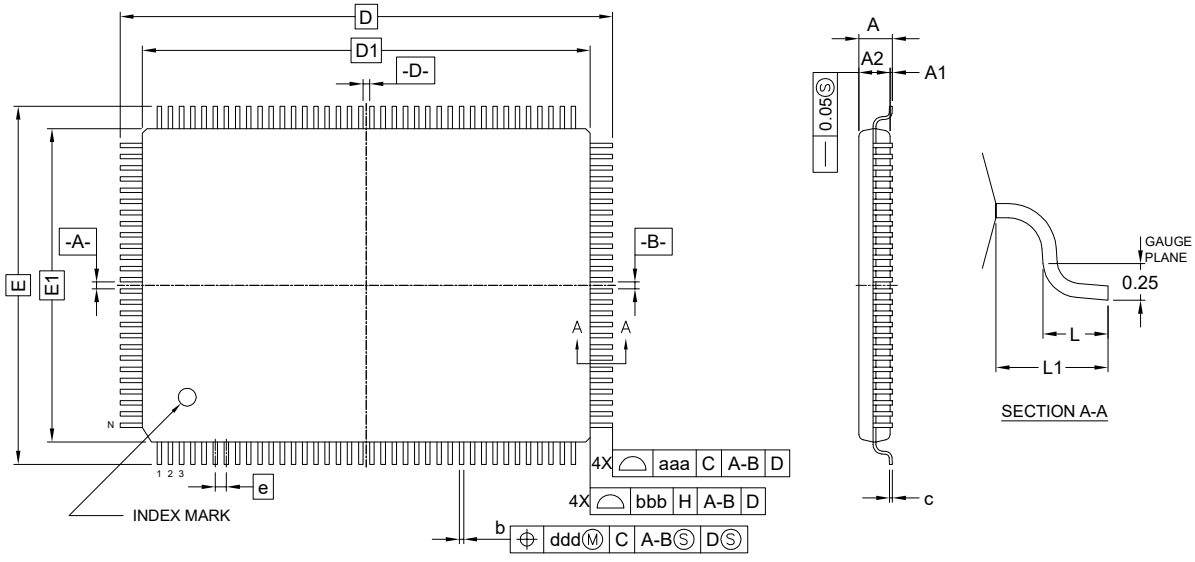
JEITA Package code	RENESAS code	MASS(TYP.)[g]
P-LFQFP176-24x24-0.50	PLQP0176KI-A	1.90



Reference Symbol	Dimension in Millimeters		
	MIN.	NOM.	MAX.
A	—	—	1.60
A1	0.05	—	0.15
A2	1.35	1.40	1.45
D	26.00 BSC.		
D1	24.00 BSC.		
E	26.00 BSC.		
E1	24.00 BSC.		
N	—	176	—
e	0.50 BSC.		
b	0.17	0.22	0.27
c	0.09	—	0.20
θ	0°	3.5°	7°
L	0.45	0.60	0.75
L1	1.00 REF.		
D2	—	5.60	—
E2	—	5.60	—
aaa	—	—	0.20
bbb	—	—	0.20
ccc	—	—	0.08
ddd	—	—	0.08

Figure 1.3 176-pin LQFP with exposed die pad

JEITA Package code	RENESAS code	MASS(TYP.)[g]
P-LFQFP128-14x20-0.50	PLQP0128KH-A	0.93



Reference Symbol	Dimension in Millimeters		
	MIN.	NOM.	MAX.
A	—	—	1.60
A1	0.05	—	0.15
A2	1.35	1.40	1.45
D	22.00 BSC.		
D1	20.00 BSC.		
E	16.00 BSC.		
E1	14.00 BSC.		
N	—	128	—
e	0.50 BSC.		
b	0.17	0.22	0.27
c	0.09	—	0.20
θ	0°	3.5°	7°
L	0.45	0.60	0.75
L1	1.00 REF.		
D2	—	6.30	—
E2	—	5.31	—
aaa	—	—	0.20
bbb	—	—	0.20
ccc	—	—	0.08
ddd	—	—	0.08

Figure 1.4 128-pin LQFP with exposed die pad

Revision History

Revision 1.00 — March 22, 2022

- Initial release

Revision 1.10 — September 30, 2022

Features:

- Corrected Trigonometric function unit.

1. Overview:

- Corrected Table 1.3 System.
- Corrected Table 1.8 Communication interfaces.
- Corrected Table 1.9 Analog.
- Corrected Table 1.10 Hardware accelerator for industrial interfaces.
- Corrected Table 1.12 Security.
- Corrected Table 1.14 Others.
- Corrected Table 1.15 Comparison of Functions for Different Packages.
- Corrected Figure 1.1 Block diagram of a 320-pin device.
- Corrected Table 1.18 List of pins and pin functions (320-pin FBGA).
- Corrected Table 1.19 List of pins and pin functions (225-pin FBGA).
- Corrected Table 1.20 List of pins and pin functions (176-pin LQFP).
- Corrected Table 1.21 List of pins and pin functions (128-pin LQFP).

2. Electrical Characteristics:

- Corrected Table 2.21 Bus timing.
- Corrected Table 2.22 Bus timing.
- Corrected Table 2.33 IIC timing.
- Corrected Table 2.46 Temperature sensor characteristics.

Notice

1. Descriptions of circuits, software and other related information in this document are provided only to illustrate the operation of semiconductor products and application examples. You are fully responsible for the incorporation or any other use of the circuits, software, and information in the design of your product or system. Renesas Electronics disclaims any and all liability for any losses and damages incurred by you or third parties arising from the use of these circuits, software, or information.
2. Renesas Electronics hereby expressly disclaims any warranties against and liability for infringement or any other claims involving patents, copyrights, or other intellectual property rights of third parties, by or arising from the use of Renesas Electronics products or technical information described in this document, including but not limited to, the product data, drawings, charts, programs, algorithms, and application examples.
3. No license, express, implied or otherwise, is granted hereby under any patents, copyrights or other intellectual property rights of Renesas Electronics or others.
4. You shall be responsible for determining what licenses are required from any third parties, and obtaining such licenses for the lawful import, export, manufacture, sales, utilization, distribution or other disposal of any products incorporating Renesas Electronics products, if required.
5. You shall not alter, modify, copy, or reverse engineer any Renesas Electronics product, whether in whole or in part. Renesas Electronics disclaims any and all liability for any losses or damages incurred by you or third parties arising from such alteration, modification, copying or reverse engineering.
6. Renesas Electronics products are classified according to the following two quality grades: "Standard" and "High Quality". The intended applications for each Renesas Electronics product depends on the product's quality grade, as indicated below.
 - "Standard": Computers; office equipment; communications equipment; test and measurement equipment; audio and visual equipment; home electronic appliances; machine tools; personal electronic equipment; industrial robots; etc.
 - "High Quality": Transportation equipment (automobiles, trains, ships, etc.); traffic control (traffic lights); large-scale communication equipment; key financial terminal systems; safety control equipment; etc.Unless expressly designated as a high reliability product or a product for harsh environments in a Renesas Electronics data sheet or other Renesas Electronics document, Renesas Electronics products are not intended or authorized for use in products or systems that may pose a direct threat to human life or bodily injury (artificial life support devices or systems; surgical implantations; etc.), or may cause serious property damage (space system; undersea repeaters; nuclear power control systems; aircraft control systems; key plant systems; military equipment; etc.). Renesas Electronics disclaims any and all liability for any damages or losses incurred by you or any third parties arising from the use of any Renesas Electronics product that is inconsistent with any Renesas Electronics data sheet, user's manual or other Renesas Electronics document.
7. No semiconductor product is absolutely secure. Notwithstanding any security measures or features that may be implemented in Renesas Electronics hardware or software products, Renesas Electronics shall have absolutely no liability arising out of any vulnerability or security breach, including but not limited to any unauthorized access to or use of a Renesas Electronics product or a system that uses a Renesas Electronics product. RENESAS ELECTRONICS DOES NOT WARRANT OR GUARANTEE THAT RENESAS ELECTRONICS PRODUCTS, OR ANY SYSTEMS CREATED USING RENESAS ELECTRONICS PRODUCTS WILL BE INVULNERABLE OR FREE FROM CORRUPTION, ATTACK, VIRUSES, INTERFERENCE, HACKING, DATA LOSS OR THEFT, OR OTHER SECURITY INTRUSION ("Vulnerability Issues"). RENESAS ELECTRONICS DISCLAIMS ANY AND ALL RESPONSIBILITY OR LIABILITY ARISING FROM OR RELATED TO ANY VULNERABILITY ISSUES. FURTHERMORE, TO THE EXTENT PERMITTED BY APPLICABLE LAW, RENESAS ELECTRONICS DISCLAIMS ANY AND ALL WARRANTIES, EXPRESS OR IMPLIED, WITH RESPECT TO THIS DOCUMENT AND ANY RELATED OR ACCOMPANYING SOFTWARE OR HARDWARE, INCLUDING BUT NOT LIMITED TO THE IMPLIED WARRANTIES OF MERCHANTABILITY, OR FITNESS FOR A PARTICULAR PURPOSE.
8. When using Renesas Electronics products, refer to the latest product information (data sheets, user's manuals, application notes, "General Notes for Handling and Using Semiconductor Devices" in the reliability handbook, etc.), and ensure that usage conditions are within the ranges specified by Renesas Electronics with respect to maximum ratings, operating power supply voltage range, heat dissipation characteristics, installation, etc. Renesas Electronics disclaims any and all liability for any malfunctions, failure or accident arising out of the use of Renesas Electronics products outside of such specified ranges.
9. Although Renesas Electronics endeavors to improve the quality and reliability of Renesas Electronics products, semiconductor products have specific characteristics, such as the occurrence of failure at a certain rate and malfunctions under certain use conditions. Unless designated as a high reliability product or a product for harsh environments in a Renesas Electronics data sheet or other Renesas Electronics document, Renesas Electronics products are not subject to radiation resistance design. You are responsible for implementing safety measures to guard against the possibility of bodily injury, injury or damage caused by fire, and/or danger to the public in the event of a failure or malfunction of Renesas Electronics products, such as safety design for hardware and software, including but not limited to redundancy, fire control and malfunction prevention, appropriate treatment for aging degradation or any other appropriate measures. Because the evaluation of microcomputer software alone is very difficult and impractical, you are responsible for evaluating the safety of the final products or systems manufactured by you.
10. Please contact a Renesas Electronics sales office for details as to environmental matters such as the environmental compatibility of each Renesas Electronics product. You are responsible for carefully and sufficiently investigating applicable laws and regulations that regulate the inclusion or use of controlled substances, including without limitation, the EU RoHS Directive, and using Renesas Electronics products in compliance with all these applicable laws and regulations. Renesas Electronics disclaims any and all liability for damages or losses occurring as a result of your noncompliance with applicable laws and regulations.
11. Renesas Electronics products and technologies shall not be used for or incorporated into any products or systems whose manufacture, use, or sale is prohibited under any applicable domestic or foreign laws or regulations. You shall comply with any applicable export control laws and regulations promulgated and administered by the governments of any countries asserting jurisdiction over the parties or transactions.
12. It is the responsibility of the buyer or distributor of Renesas Electronics products, or any other party who distributes, disposes of, or otherwise sells or transfers the product to a third party, to notify such third party in advance of the contents and conditions set forth in this document.
13. This document shall not be reprinted, reproduced or duplicated in any form, in whole or in part, without prior written consent of Renesas Electronics.
14. Please contact a Renesas Electronics sales office if you have any questions regarding the information contained in this document or Renesas Electronics products.

(Note1) "Renesas Electronics" as used in this document means Renesas Electronics Corporation and also includes its directly or indirectly controlled subsidiaries.

(Note2) "Renesas Electronics product(s)" means any product developed or manufactured by or for Renesas Electronics.

(Rev.5.0-1 October 2020)

Corporate Headquarters

TOYOSU FORESIA, 3-2-24 Toyosu,
Koto-ku, Tokyo 135-0061, Japan
www.renesas.com

Trademarks

Renesas and the Renesas logo are trademarks of Renesas Electronics Corporation. All trademarks and registered trademarks are the property of their respective owners.

Contact Information

For further information on a product, technology, the most up-to-date version of a document, or your nearest sales office, please visit:
www.renesas.com/contact/

X-ON Electronics

Largest Supplier of Electrical and Electronic Components

Click to view similar products for [Microprocessors - MPU category](#):

Click to view products by [Renesas manufacturer](#):

Other Similar products are found below :

[A2C00010998 A](#) [T1024NXE7PQA](#) [BOXSTCK1A8LFCL](#) [T1024NXN7MQA](#) [T2080NXE8MQB](#) [T4240NXN7PQB](#) [R7S910018CBG#AC0](#)
[NS7520B-1-C55](#) [T1024NXN7PQA](#) [FH8067303534005S](#) [R3ZM](#) [MIMX8QX5CVLFZAC](#) [HW8076502640002S](#) [R38F](#) [MIMX8UX6CVLFZAC](#)
[MCF54452VP266](#) [R9A07G044L23GBG#AC0](#) [R9A07G044C22GBG#AC0](#) [R9A07G054L24GBG#AC0](#) [R9A07G054L23GBG#AC0](#)
[R9A07G075M24GBG#AC0](#) [R9A07G075M24GBA#AC0](#) [LS2084ACE7TTB](#) [FS32V234CON2VUB](#) [R8A774A2HA01BG#UV](#)
[R8A774E0HA01BN#U6](#) [M0516LBN](#) [MCF5208CVM166](#) [MCF52277CVM160](#) [MCF54415CMJ250](#) [MCIMX355AJQ5C](#) [MCIMX357DJQ5C](#)
[MCIMX6L2EVN10AB](#) [MCIMX6Q4AVT10AD](#) [MCIMX6Q6AVT10AD](#) [MCIMX6S6AVM08AC](#) [MCIMX6U5DVM10AC](#)
[MCIMX6U7CVM08AC](#) [MCF54418CMJ250](#) [MCIMX6D5EYM10AD](#) [MCIMX6D6AVT10AD](#) [MCIMX6G1CVM05AB](#) [MPC8313EVRAFFC](#)
[MPC8314ECVRAGDA](#) [MPC8314VRAGDA](#) [PIC16F1828-I/SS](#) [PIC16F690T-I/SS](#) [PIC18F13K50-I/SS](#) [PIC16F877-20/PQ](#) [PIC16F727-I/PT](#)
[PIC16F1847-I/SS](#) [PIC16F1823-I/SL](#)