

# Renesas Solution Starter Kit Motor Control Evaluation System - 3-Phase Smart Gate Driver: RAA306012 -

RAA306012 RSSK User's Manual

All information contained in these materials, including products and product specifications, represents information on the product at the time of publication and is subject to change by Renesas Electronics Corp. without notice. Please review the latest information published by Renesas Electronics Corp. through various means, including the Renesas Electronics Corp. website (<http://www.renesas.com>).

## Notice

1. Descriptions of circuits, software and other related information in this document are provided only to illustrate the operation of semiconductor products and application examples. You are fully responsible for the incorporation or any other use of the circuits, software, and information in the design of your product or system. Renesas Electronics disclaims any and all liability for any losses and damages incurred by you or third parties arising from the use of these circuits, software, or information.
2. Renesas Electronics hereby expressly disclaims any warranties against and liability for infringement or any other claims involving patents, copyrights, or other intellectual property rights of third parties, by or arising from the use of Renesas Electronics products or technical information described in this document, including but not limited to, the product data, drawings, charts, programs, algorithms, and application examples.
3. No license, express, implied or otherwise, is granted hereby under any patents, copyrights or other intellectual property rights of Renesas Electronics or others.
4. You shall be responsible for determining what licenses are required from any third parties, and obtaining such licenses for the lawful import, export, manufacture, sales, utilization, distribution or other disposal of any products incorporating Renesas Electronics products, if required.
5. You shall not alter, modify, copy, or reverse engineer any Renesas Electronics product, whether in whole or in part. Renesas Electronics disclaims any and all liability for any losses or damages incurred by you or third parties arising from such alteration, modification, copying or reverse engineering.
6. Renesas Electronics products are classified according to the following two quality grades: "Standard" and "High Quality". The intended applications for each Renesas Electronics product depends on the product's quality grade, as indicated below.

"Standard": Computers; office equipment; communications equipment; test and measurement equipment; audio and visual equipment; home electronic appliances; machine tools; personal electronic equipment; industrial robots; etc.

"High Quality": Transportation equipment (automobiles, trains, ships, etc.); traffic control (traffic lights); large-scale communication equipment; key financial terminal systems; safety control equipment; etc.

Unless expressly designated as a high reliability product or a product for harsh environments in a Renesas Electronics data sheet or other Renesas Electronics document, Renesas Electronics products are not intended or authorized for use in products or systems that may pose a direct threat to human life or bodily injury (artificial life support devices or systems; surgical implantations; etc.), or may cause serious property damage (space system; undersea repeaters; nuclear power control systems; aircraft control systems; key plant systems; military equipment; etc.). Renesas Electronics disclaims any and all liability for any damages or losses incurred by you or any third parties arising from the use of any Renesas Electronics product that is inconsistent with any Renesas Electronics data sheet, user's manual or other Renesas Electronics document.

7. No semiconductor product is absolutely secure. Notwithstanding any security measures or features that may be implemented in Renesas Electronics hardware or software products, Renesas Electronics shall have absolutely no liability arising out of any vulnerability or security breach, including but not limited to any unauthorized access to or use of a Renesas Electronics product or a system that uses a Renesas Electronics product. RENESAS ELECTRONICS DOES NOT WARRANT OR GUARANTEE THAT RENESAS ELECTRONICS PRODUCTS, OR ANY SYSTEMS CREATED USING RENESAS ELECTRONICS PRODUCTS WILL BE INVULNERABLE OR FREE FROM CORRUPTION, ATTACK, VIRUSES, INTERFERENCE, HACKING, DATA LOSS OR THEFT, OR OTHER SECURITY INTRUSION ("Vulnerability Issues"). RENESAS ELECTRONICS DISCLAIMS ANY AND ALL RESPONSIBILITY OR LIABILITY ARISING FROM OR RELATED TO ANY VULNERABILITY ISSUES. FURTHERMORE, TO THE EXTENT PERMITTED BY APPLICABLE LAW, RENESAS ELECTRONICS DISCLAIMS ANY AND ALL WARRANTIES, EXPRESS OR IMPLIED, WITH RESPECT TO THIS DOCUMENT AND ANY RELATED OR ACCOMPANYING SOFTWARE OR HARDWARE, INCLUDING BUT NOT LIMITED TO THE IMPLIED WARRANTIES OF MERCHANTABILITY, OR FITNESS FOR A PARTICULAR PURPOSE.
8. When using Renesas Electronics products, refer to the latest product information (data sheets, user's manuals, application notes, "General Notes for Handling and Using Semiconductor Devices" in the reliability handbook, etc.), and ensure that usage conditions are within the ranges specified by Renesas Electronics with respect to maximum ratings, operating power supply voltage range, heat dissipation characteristics, installation, etc. Renesas Electronics disclaims any and all liability for any malfunctions, failure or accident arising out of the use of Renesas Electronics products outside of such specified ranges.
9. Although Renesas Electronics endeavors to improve the quality and reliability of Renesas Electronics products, semiconductor products have specific characteristics, such as the occurrence of failure at a certain rate and malfunctions under certain use conditions. Unless designated as a high reliability product or a product for harsh environments in a Renesas Electronics data sheet or other Renesas Electronics document, Renesas Electronics products are not subject to radiation resistance design. You are responsible for implementing safety measures to guard against the possibility of bodily injury, injury or damage caused by fire, and/or danger to the public in the event of a failure or malfunction of Renesas Electronics products, such as safety design for hardware and software, including but not limited to redundancy, fire control and malfunction prevention, appropriate treatment for aging degradation or any other appropriate measures. Because the evaluation of microcomputer software alone is very difficult and impractical, you are responsible for evaluating the safety of the final products or systems manufactured by you.
10. Please contact a Renesas Electronics sales office for details as to environmental matters such as the environmental compatibility of each Renesas Electronics product. You are responsible for carefully and sufficiently investigating applicable laws and regulations that regulate the inclusion or use of controlled substances, including without limitation, the EU RoHS Directive, and using Renesas Electronics products in compliance with all these applicable laws and regulations. Renesas Electronics disclaims any and all liability for damages or losses occurring as a result of your noncompliance with applicable laws and regulations.
11. Renesas Electronics products and technologies shall not be used for or incorporated into any products or systems whose manufacture, use, or sale is prohibited under any applicable domestic or foreign laws or regulations. You shall comply with any applicable export control laws and regulations promulgated and administered by the governments of any countries asserting jurisdiction over the parties or transactions.
12. It is the responsibility of the buyer or distributor of Renesas Electronics products, or any other party who distributes, disposes of, or otherwise sells or transfers the product to a third party, to notify such third party in advance of the contents and conditions set forth in this document.
13. This document shall not be reprinted, reproduced or duplicated in any form, in whole or in part, without prior written consent of Renesas Electronics.
14. Please contact a Renesas Electronics sales office if you have any questions regarding the information contained in this document or Renesas Electronics products.

(Note1) "Renesas Electronics" as used in this document means Renesas Electronics Corporation and also includes its directly or indirectly controlled subsidiaries.

(Note2) "Renesas Electronics product(s)" means any product developed or manufactured by or for Renesas Electronics.

(Rev.5.0-1 October 2020)

## Corporate Headquarters

TOYOSU FORESIA, 3-2-24 Toyosu,  
Koto-ku, Tokyo 135-0061, Japan  
[www.renesas.com](http://www.renesas.com)

## Contact information

For further information on a product, technology, the most up-to-date version of a document, or your nearest sales office, please visit:  
[www.renesas.com/contact/](http://www.renesas.com/contact/)

## Trademarks

Renesas and the Renesas logo are trademarks of Renesas Electronics Corporation. All trademarks and registered trademarks are the property of their respective owners.

# General Precautions in the Handling of Microprocessing Unit and Microcontroller Unit Products

The following usage notes are applicable to all Microprocessing unit and Microcontroller unit products from Renesas. For detailed usage notes on the products covered by this document, refer to the relevant sections of the document as well as any technical updates that have been issued for the products.

## 1. Precaution against Electrostatic Discharge (ESD)

A strong electrical field, when exposed to a CMOS device, can cause destruction of the gate oxide and ultimately degrade the device operation. Steps must be taken to stop the generation of static electricity as much as possible, and quickly dissipate it when it occurs. Environmental control must be adequate. When it is dry, a humidifier should be used. This is recommended to avoid using insulators that can easily build up static electricity. Semiconductor devices must be stored and transported in an anti-static container, static shielding bag or conductive material. All test and measurement tools including work benches and floors must be grounded. The operator must also be grounded using a wrist strap. Semiconductor devices must not be touched with bare hands. Similar precautions must be taken for printed circuit boards with mounted semiconductor devices.

## 2. Processing at power-on

The state of the product is undefined at the time when power is supplied. The states of internal circuits in the LSI are indeterminate and the states of register settings and pins are undefined at the time when power is supplied. In a finished product where the reset signal is applied to the external reset pin, the states of pins are not guaranteed from the time when power is supplied until the reset process is completed. In a similar way, the states of pins in a product that is reset by an on-chip power-on reset function are not guaranteed from the time when power is supplied until the power reaches the level at which resetting is specified.

## 3. Input of signal during power-off state

Do not input signals or an I/O pull-up power supply while the device is powered off. The current injection that results from input of such a signal or I/O pull-up power supply may cause malfunction and the abnormal current that passes in the device at this time may cause degradation of internal elements. Follow the guideline for input signal during power-off state as described in your product documentation.

## 4. Handling of unused pins

Handle unused pins in accordance with the directions given under handling of unused pins in the manual. The input pins of CMOS products are generally in the high-impedance state. In operation with an unused pin in the open-circuit state, extra electromagnetic noise is induced in the vicinity of the LSI, an associated shoot-through current flows internally, and malfunctions occur due to the false recognition of the pin state as an input signal become possible.

## 5. Clock signals

After applying a reset, only release the reset line after the operating clock signal becomes stable. When switching the clock signal during program execution, wait until the target clock signal is stabilized. When the clock signal is generated with an external resonator or from an external oscillator during a reset, ensure that the reset line is only released after full stabilization of the clock signal. Additionally, when switching to a clock signal produced with an external resonator or by an external oscillator while program execution is in progress, wait until the target clock signal is stable.

## 6. Voltage application waveform at input pin

Waveform distortion due to input noise or a reflected wave may cause malfunction. If the input of the CMOS device stays in the area between  $V_{IL}$  (Max.) and  $V_{IH}$  (Min.) due to noise, for example, the device may malfunction. Take care to prevent chattering noise from entering the device when the input level is fixed, and also in the transition period when the input level passes through the area between  $V_{IL}$  (Max.) and  $V_{IH}$  (Min.).

## 7. Prohibition of access to reserved addresses

Access to reserved addresses is prohibited. The reserved addresses are provided for possible future expansion of functions. Do not access these addresses as the correct operation of the LSI is not guaranteed.

## 8. Differences between products

Before changing from one product to another, for example to a product with a different part number, confirm that the change will not lead to problems. The characteristics of a microprocessing unit or microcontroller unit products in the same group but having a different part number might differ in terms of internal memory capacity, layout pattern, and other factors, which can affect the ranges of electrical characteristics, such as characteristic values, operating margins, immunity to noise, and amount of radiated noise. When changing to a product with a different part number, implement a system-evaluation test for the given product.

## For Your Safety




Do not fail to read this manual before using the RAA306012 Renesas Solution Starter Kit (RTK0EM00F0S00020BJ) (this product).

- Follow the indications in this manual when using the product.
- Keep this manual near the product so you can refer to it whenever necessary.
- Transfer or sale of the product to third parties is prohibited without written approval.
- The purchaser or importer of the product is responsible for ensuring compliance with local regulations. In addition, the customer is responsible for ensuring that the product is handled correctly and safely, in accordance with the laws of the customer's country (region).
- All information contained in this manual represents information on products at the time of publication of this manual. Please note that the product data, specification, sales offices, contents of website, address, etc., are subject to change by Renesas Electronics Corporation without notice due to product improvements or other reasons. Please confirm the latest information on Renesas Electronics website.
- The manual for the product, and specification (the documents) are the tool that was developed for the function and performance evaluation of Renesas Electronics semiconductor device (Renesas Electronics device) mounted on the product, and not guarantee the same quality, function and performance.
- By purchasing the product or downloading the documents from Renesas Electronics website, the support services provided from Renesas Electronics is not guaranteed.

## Meaning of Notations

In this manual, items related to the safe use of the product are indicated as described below.

The degree of injury to persons or damage to property that could result if the designated content in this manual is not followed is indicated as follows.

 <b>Danger</b>	Indicates content that, if not followed, could result in death or serious injury <sup>Note.1</sup> to the user, and which is highly urgent.
 <b>Warning</b>	Indicates content that, if not followed, could result in death or serious injury to the user.
 <b>Caution</b>	Indicates content that, if not followed, could result in injury <sup>Note.2</sup> to persons or physical damage. <sup>Note.3</sup>

Note.1: Serious injury refers to conditions resulting in persistent after-effects and for which treatment would necessitate hospitalization or regular hospital visits, such as loss or impairment of eyesight, burns (high- or low-temperature), electric shock, bone fracture, or poisoning.

Note.2: Injury refers to conditions for which treatment would necessitate hospitalization or regular hospital visits.

Note.3: Physical damage refers to damage affecting the wider surroundings, such as the user's home or property.

Requirements related to the handling of the product are classified into the following categories.



- Marks indicating that an action is prohibited.

	<b>General Prohibition</b> The indicated action is prohibited.		<b>Example: Do Not Touch!</b> Touching the specified location could result in injury.
---	---	---	--

- Marks indicating that an action is prohibited.






	<b>General Caution</b> Indicates a general need for caution that is not specified.		<b>Example: Caution – Hot!</b> Indicates the possibility of injury due to high temperature.
---	---	---	--

- Marks directing that the specified action is required.







	<b>General Instruction</b> The specified action is required.		<b>Example: Turn Off (Disconnect) Power Supply!</b> Instructs the user to turn off (disconnect) the power supply to the product.
---	---	---	---

## Warnings Regarding Use of the Product





### ■ Danger Items

 <b>Danger</b>	
	<ul style="list-style-type: none"> <li>The product should be used only by persons (users) having a thorough knowledge of electrical and mechanical components and systems, a full knowledge of the risks associated with handling them, and training in inverter motor control and handling motors, or equivalent skills. Users should be limited to persons who have carefully read the Caution Items contained in this manual.</li> </ul>
	<ul style="list-style-type: none"> <li>Unlike typical equipment, the product has no protective case to ensure safety, and it contains moving parts and high-temperature components that could be dangerous. Do not touch the evaluation board or cables while power is being supplied.</li> </ul>
	<ul style="list-style-type: none"> <li>Carefully check to make sure that there are no pieces of conductive materials or dust adhering to the board, connectors, and cables.</li> <li>There are moving parts, driven by a motor. Do not touch the motor while power is being supplied.</li> <li>Ensure that the motor is insulated and placed in a stable location before supplying power.</li> </ul>
	<p><b>Do Not Connect Load to Motor!</b></p> <ul style="list-style-type: none"> <li>This could cause fire, burns, or injury.</li> </ul>

### ■ Warning Items

 <b>Warning</b>	
	<p><b>Caution – Rotating Parts!</b></p> <ul style="list-style-type: none"> <li>The system includes a motor. Touching the rotating shaft could cause high-temperature burns or injury.</li> </ul>
	<p>Always insert plugs, connectors, and cables securely, and confirm that they are fully inserted.</p> <ul style="list-style-type: none"> <li>Incomplete connections could cause fire, burns, electric shock, or injury.</li> </ul>
	<p>Use the power supply apparatus specified in the manual.</p> <ul style="list-style-type: none"> <li>Failure to do so could cause fire, burns, electric shock, injury, or malfunction.</li> </ul>
	<p>Disconnect the power supply and unplug all cables when the system will not be used for a period of time or when moving the system.</p> <ul style="list-style-type: none"> <li>Failure to do so could cause fire, burns, electric shock, or malfunction.</li> <li>This will protect the system against damage due to lightning.</li> </ul>
	<p>Use a mechanism (switch, outlet, etc.) located within reach to turn off (disconnect) the power supply.</p> <ul style="list-style-type: none"> <li>In case of emergency, it may be necessary to cut off the power supply quickly.</li> </ul>
	<p>Turn off the power supply immediately if you notice abnormal odor, smoke, abnormal sound, or overheating.</p> <ul style="list-style-type: none"> <li>Continuing to use the system in an abnormal condition could cause fire, burns, or electric shock.</li> </ul>
	<p><b>Do Not Disassemble, Modify, or Repair!</b></p> <ul style="list-style-type: none"> <li>Doing so could cause fire, burns, electric shock, injury, or malfunction.</li> <li>Disassembly, remodeling, repair, or modification should be done at the customer's own risk, and should be done safely after carefully checking the circuitry.</li> </ul>
	<p>Do not use the product for any purpose other than initial evaluation of motor control in a testing room or lab. Do not integrate the product or any part of it into other equipment. Do not insert or remove cables or connectors when the product is powered on.</p> <ul style="list-style-type: none"> <li>The product has no safety case.</li> <li>Failure to observe the above could cause fire, electric shock, burns, or malfunction.</li> <li>The product may not perform as expected if used for other than its intended purpose.</li> </ul>

■ Caution Items

 <b>Caution</b>	
	<p>Caution – Hot!</p> <ul style="list-style-type: none"><li>• The motor gets hot. Touching it could cause high-temperature burns.</li></ul>
	<p>Follow the procedure specified in the manual when powering the system on or off.</p> <ul style="list-style-type: none"><li>• Failure to do so could cause overheating or malfunction.</li></ul>
	<p>Caution – Static Electricity</p> <ul style="list-style-type: none"><li>• Use the antistatic band. Failure to do so could cause malfunction or unstable motion.</li></ul>

# CONTENTS

CONTENTS .....	1
Chapter 1. Overview .....	1
1.1    Feature .....	3
Chapter 2. Product Specifications .....	4
2.1    Outline.....	4
2.2    Evaluation Board.....	5
2.2.1    Appearance.....	6
2.2.2    Block Diagram.....	7
2.2.3    Pin Assignment and Connection on Evaluation Board .....	8
2.2.3    Main Parts, Terminals, and Connectors .....	15
2.3    Motor [TG-55L-KA 24V (TSUKASA ELECTRIC CO., LTD)].....	21
2.4    Cable for Motor Connection .....	21
2.5    Ferrite Core [E04SR200932 (SEIWA ELECTRIC MFG.)].....	22
Chapter 3. Usage.....	23
3.1    Factory Default Setting.....	24
3.2    Sensorless Vector Control .....	26
3.2.1    Control Specifications .....	26
3.2.2    Board Settings.....	27
3.2.3    Operation Guide.....	28
3.3    Sensorless 120-degree Conducting Control.....	34
3.3.1    Control Specifications .....	34
3.3.2    Board Settings.....	36
3.3.3    Operation Guide.....	37
3.3.3.4    Motor Operation .....	40
3.4    120-degree Conducting Control Using Hall Sensors .....	43
3.4.1    Control Specifications .....	43
3.4.2    Board Settings.....	44
3.4.3    Operation Guide.....	45
Chapter 4. Peripheral Circuits .....	51
4.1    Power Supply Circuit.....	51
4.1.1    Main Power Supply (VM, VBRIDGE).....	51
4.1.2    Gate Drive Power Supply (VDRV, VCP).....	51



4.1.3	Peripheral Circuit Power Supply (VDD(3.3[V]) or VCC(5.0[V])) .....	52
4.2	Reset Circuit.....	53
4.3	Motor Drive Circuit.....	54
4.3.1	Half-Bridges .....	56
4.3.2	Sense Circuits .....	59
4.3.3	Spare Circuit .....	63
4.3.4	Motor .....	64
4.4	User Interface.....	65
4.4.1	Potentiometer (VR101) & Toggle Switches (SW101, SW102) .....	65
4.4.2	LED .....	65
4.4.3	SPI Connector.....	66
4.4.4	I <sup>2</sup> C Connector.....	66
4.4.5	UART Connector.....	66
4.4.6	General-purpose Digital Input/Output Connectors.....	67
4.4.7	General-purpose Analog Input/Output Connector .....	68
Chapter 5. Emulator Function.....		69
5.1	Program Write .....	69
5.1.1	e <sup>2</sup> studio.....	70
5.1.2	CS+ .....	71
5.1.3	Renesas Flash Programmer .....	72
Chapter 6. Renesas Motor Workbench .....		74
Chapter 7. Information .....		75
7.1	European Union Regulatory Notices.....	75
Revision History .....		76

## Chapter 1. Overview

The Renesas Solution Starter Kit Motor Control Evaluation System -3-Phase Smart Gate Driver: RAA306012- (RTK0EM00F0S00020BJ) (now referred to as RAA306012 RSSK) is an evaluation kit for the smart gate driver IC of RAA306012. The RAA306012 Evaluation Board (now referred to as Evaluation Board) included in the evaluation kit can be combined with the Control Board to control the motor through inverter operation. This evaluation kit includes two types of Control Boards: RAA306012 Control Board RX13T Edition (now referred to as RX13T Control Board) and RAA306012 Control Board RL78/G1F Edition (now referred to as RL78/G1F Control Board).

The RX13T Control Board is initially equipped with a sample program for sensorless vector control, and the RL78/G1F Control Board is initially equipped with a sample program for 120-degree conducting control using Hall sensors. The basic motor control evaluation is available by connecting the attached motor, changing the Evaluation Board to a configuration suitable for control use, and supplying DC 24[V]. In addition, it is possible to connect and evaluate a motor other than the attached motor and external MOSFET board prepared by user.

### Related Documents:

The related documentation and sample program for the Renesas Solution Starter Kit BLDC Motor Evaluation System for RAA306012 (Smart Gate Driver IC, RTK0EM00F0S00020BJ) can be downloaded from our motor solution website.

### Motor Solution Website:

<https://www.renesas.com/us/en/key-technologies/motor-control-robotics/motor-control-solutions>

### RAA306012 Evaluation Board (Evaluation Board)

·Schematic : R12TU0221EJ  
·BOM LIST : R12TU0227EJ  
·PWB Pattern Drawing : R12TU0247EJ

### RAA306012 Control Board RX13T Edition (RX13T Control Board)

·Schematic : R12TU0222EJ  
·BOM LIST : R12TU0228EJ  
·PWB Pattern Drawing : R12TU0248EJ

### RAA306012 Control Board RL78/G1F Edition (RL78/G1F Control Board)

·Schematic : R12TU0223EJ  
·BOM LIST : R12TU0229EJ  
·PWB Pattern Drawing : R12TU0249EJ

### RAA306012 Product Information Website:

<https://www.renesas.com/RAA306012>

### RAA306012 RSSK Product Information Website:

<https://www.renesas.com/RTK0EM00F0S00020BJ>

### Package Contents

Item	Renesas Solution Starter Kit Motor Control Evaluation System -3-Phase Smart Gate Driver: RAA306012-	Quantity
Board	RAA306012 Evaluation Board (RTK0EM00F0B00022BJ)	1
	RAA306012 Control Board RX13T Edition (RTK0EMXA10E00002BJ)	1
	RAA306012 Control Board RL78/G1F Edition (RTK0EML240E00002BJ)	1
Motor	TG-55L-KA 24V	1
Motor Cable	Motor Cable for TG-55L-KA, 24V	1
Ferrite Core	E04SR200932	1
Paper	Motor Control Evaluation System -3-Phase Smart Gate Driver: RAA306012- Includes RX13T and RL78/G1F control card Information	1
	Caution regarding the Renesas Solution Starter Kit Motor Control Evaluation System -3-Phase Smart Gate Driver: RAA306012- Includes RX13T and RL78/G1F control card	1

### Equipment to Prepare for

Item of the Necessary Unit	Model Name (Specification)
Power supply	Use for the bundled motor: 24[V]/2[A]
USB cable	USB micro-B cable x2 <sup>Note.1</sup>
Motor (optional)	Available connecting a motor other than the attached motor
Shunt resistors (optional)	When connecting a motor other than the attached motor, change the shunt resistance according to the characteristics of the motor
0[Ω] registers (optional)	The 0[Ω] registers are used to change the connection, 1005[mm] or 1608[mm] size registers are available (solder shorts are available too)

Note.1 USB cable for connecting with PC is necessary to use Renesas Motor Workbench or IDE.

### Abbreviations

Abbreviations	Full Name	Remarks
RAA306012 RSSK	Renesas Solution Starter Kit Motor Control Evaluation System -3-Phase Smart Gate Driver: RAA306012-	Product No.: RTK0EM00F0S00020BJ
Evaluation Board	RAA306012 Evaluation Board	Product No.: RTK0EM00F0B00022BJ
RX13T Control Board	RAA306012 Control Board RX13T Edition	Product No.: RTK0EMXA10E00002BJ
RL78/G1F Control Board	RAA306012 Control Board RL78/G1F Edition	Product No.: RTK0EML240E00002BJ

## 1.1 Feature

### 1. Easy to start the motor control evaluation with RAA306012.

Since the reference sample program has already been written on the RX13T Control Board and RL78/G1F Control Board, the user can start the evaluation immediately by changing the Evaluation Board configuration suitable for control, connecting the motor and the Control Board (RX13T or RL78/G1F), and supplying DC 24[V]. (Factory Default Setting of the Evaluation Board is sensorless vector control with the RX13T Control Board.)

### 2. Board with high expandability and operability (210mm×160mm).

Since the switches, potentiometers, LEDs, and thermistors are mounted, the Evaluation Board is small and easy to operate. Their functions can be used by using the user program.

### 3. Connectable to the external MOSFET board.

By changing the MOSFET connection selection resistors, it is possible to select mounted MOSFETs or external MOSFET board.

### 4. Various sample software for the basic motor control.

Sample programs for the basic control required for BLDC Motor control can be downloaded from the website.

- Sensorless vector control
- Sensorless 120-degree conducting control
- 120-degree conducting control using Hall sensors

RAA306012 Sample programs download website:  
<https://www.renesas.com/RTK0EM00F0S00020BJ>

### 5. Support Renesas Motor Workbench tool.

Renesas Motor Workbench is a tool for monitoring and changing global variables in operation from a PC. For details of the features and instructions on using the tool, refer to Renesas website.

## Chapter 2. Product Specifications

### 2.1 Outline

Table 2-1 Specification List for RAA306012 RSSK

Item	Specification
Kit name	Renesas Solution Starter Kit Motor Control Evaluation System -3-Phase Smart Gate Driver: RAA306012- (RAA306012 RSSK)
Kit product No.	RTK0EM00F0S00020BJ
Power supply	VM power supply range: 24[V] Use a stable power supply such as a stabilized power supply equipment or a battery. The power supply to the VM provides 3.3[V] or 5.0[V] to the Evaluation Board from the RAA306012's integrated LDO.
Operation temperature	Room temperature
Operation humidity	No condensation
MOSFET	TPH12008NH (80[V], 24[A])
Sensor	Hall sensor or sensorless
Connector	<ul style="list-style-type: none"> <li>• USB for E2 Lite(E2OB)</li> <li>• USB for Renesas Motor WorkBench (Now referred to as RMWB)</li> <li>• External MOSFET connector (CN_EXT_MOS) <sup>Note.1</sup></li> <li>• Hall sensor signal input connector (CN_HALL) <sup>Note.2</sup></li> <li>• Analog general-purpose input/output connector (CN_ANA) <sup>Note.1</sup></li> <li>• Digital general-purpose input/output connector (CN_DIGI1, CN_DIGI2, CN_DIGI3) <sup>Note.1</sup></li> <li>• I<sup>2</sup>C communication connector (CN_I2C) <sup>Note.1</sup></li> <li>• SPI communication connector (CN_SPI) <sup>Note.1</sup></li> <li>• UART communication connector (CN_UART) <sup>Note.1</sup></li> <li>• External volume connector (CN_VOL) <sup>Note.1</sup></li> </ul>
Switch/Potentiometer	Toggle SW x2 Potentiometer x1 Tact switch for RESET x1
LED	LED x7
Wave viewer tool	Renesas Motor Workbench tool is supported The latest tool is available from Renesas website

Note.1: The Evaluation Board has through holes for mounting the connector. When using this function, please mount the connector.  
For details on this function, refer to Chapter 4.

Note.2: The connector is mounted on the Evaluation Board.

## 2.2 Boards

### 2.2.1 Evaluation Board

**Table 2-2 Specification List for Evaluation Board**

Item	Specification
Board name	RAA306012 Evaluation Board (Evaluation Board)
Product No.	RTK0EM00F0B00022BJ
Power supply	VM power supply range: DC 6[V] to 48[V] <sup>Note.1</sup> Use a stable power supply such as a stabilized power supply equipment or a battery. (Use bundled motor: DC24[V]/2[A] power supply)
Operation temperature	Room temperature
Operation humidity	No condensation
MOSFET	TPH12008NH (80[V], 24[A])
Sensor	Hall sensor or sensorless
Connector	<ul style="list-style-type: none"> <li>• USB for Renesas Motor WorkBench (RMWB)</li> <li>• External MOSFET connector (CN_EXT_MOS) <sup>Note.2</sup></li> <li>• Hall sensor signal input connector (CN_HALL) <sup>Note.3</sup></li> <li>• Analog general-purpose input/output connector (CN_ANA) <sup>Note.2</sup></li> <li>• Digital general-purpose input/output connector (CN_DIGI1, CN_DIGI2, CN_DIGI3) <sup>Note.2</sup></li> <li>• I<sup>2</sup>C communication connector (CN_I2C) <sup>Note.2</sup></li> <li>• SPI communication connector (CN_SPI) <sup>Note.2</sup></li> <li>• UART communication connector (CN_UART) <sup>Note.2</sup></li> <li>• External volume connector (CN_VOL) <sup>Note.2</sup></li> <li>• Connector for the Control Board (CNA, CNB, CNC)</li> </ul>
Switch/Potentiometer	Toggle switch x2 Potentiometer x1
LED	LED x7
Wave viewer tool	Renesas Motor Workbench tool is supported. The latest tool can be received from Renesas website.

Note.1: The maximum VM rating of the RAA306012 is 65[V], but due to the Low Voltage Directive (LVD), this kit supports a maximum VM of 48[V].

Note.2: The Evaluation Board has through holes for mounting the connector. When using this function, please mount the connector. For details on this function, refer to Chapter 4.

Note.3: The connector is mounted on the Evaluation Board.

2.2.1.1 Appearance

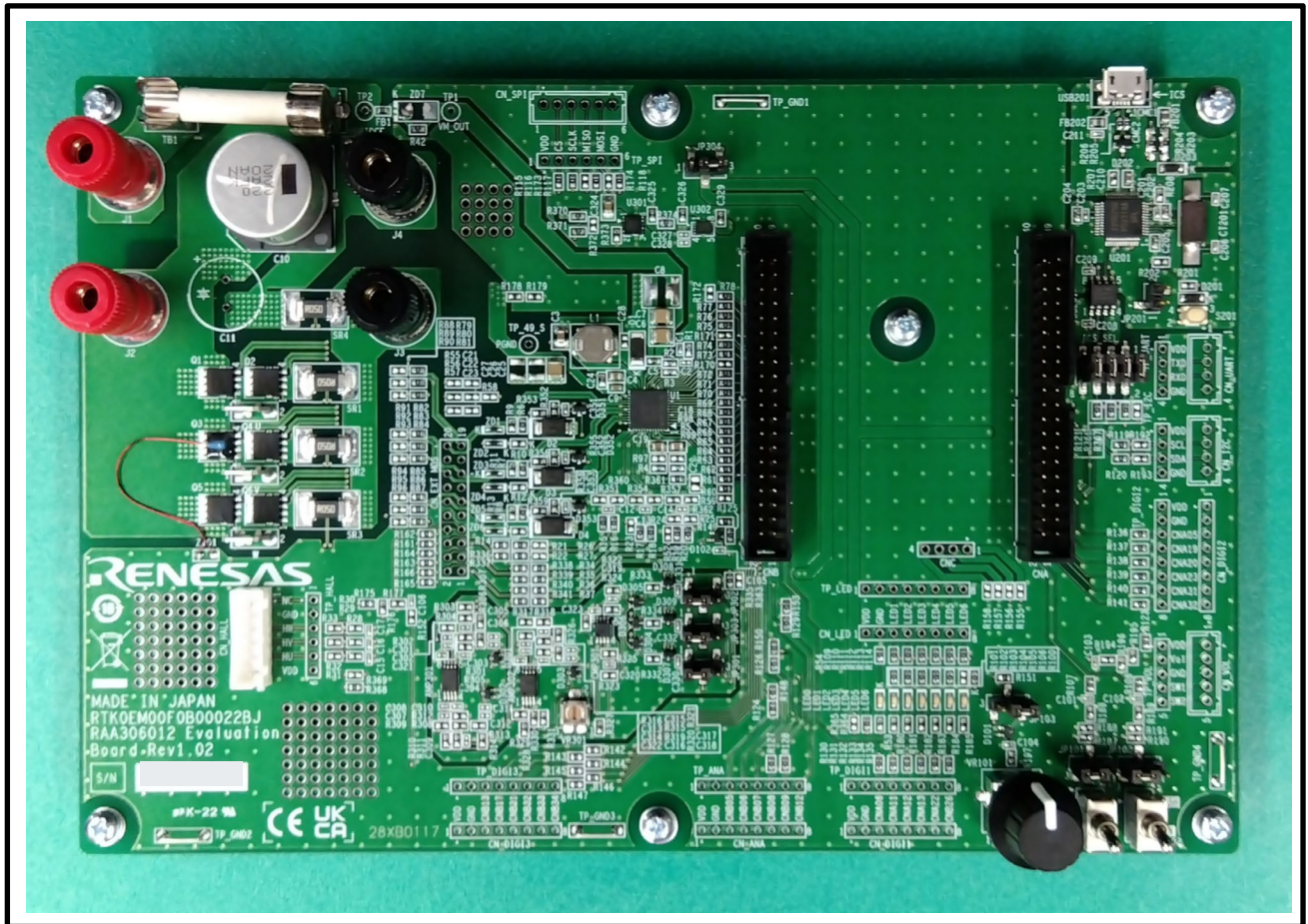


Figure 2-1 Appearance



2.2.1.2 Block Diagram

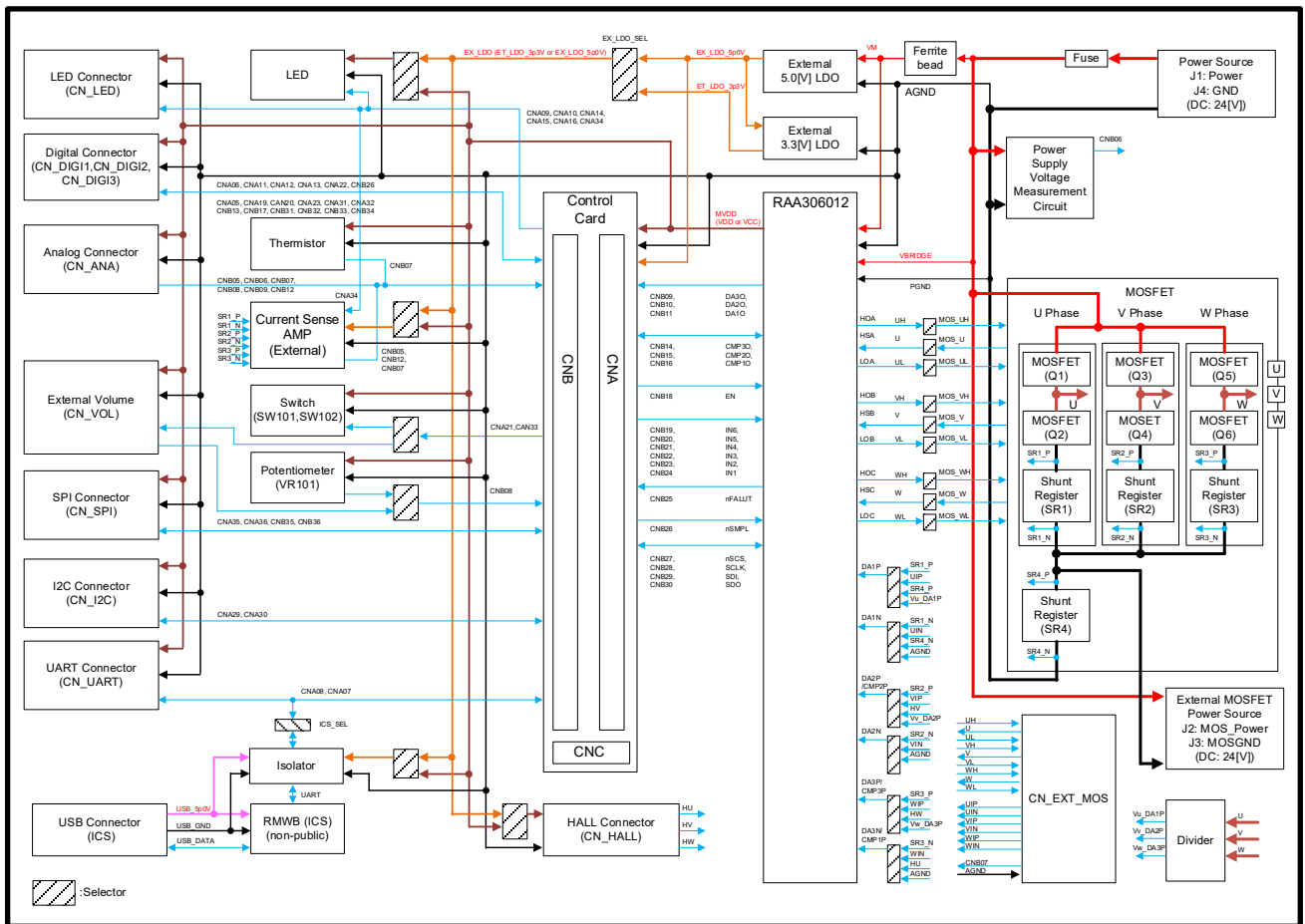


Figure 2-2 Block Diagram



## 2.2.1.3 Pin Assignment and Connection on Evaluation Board

Table 2-3 Pin Assignments and Connection on Evaluation Board

Pin No.	RAA306012	Connection on Evaluation Board	Note
1	DA1O	CNB11	
2	CMP3O	CNB14	
3	CMP2O	CNB15	
4	CMP1O	CNB16	
5	EN	CNB18	
6	IN6	CNB19	
7	IN5	CNB20	
8	IN4	CNB21	
9	IN3	CNB22	
10	IN2	CNB23	
11	IN1	CNB24	
12	nFAULT	CNB25	
13	nSMPL	CNB26	
14	nSCS	CNB27	
15	SCLK	CNB28	
16	SDI	CNB29	
17	SDO	CNB30	
18	PC	—	
19	FB	—	
20	VM	VM	
21	SW1	—	
22	VDRV	—	
23	CPL	—	
24	CPH	—	
25	VCP	—	
26	VBRIDGE	VBRIDGE	
27	HOA	UH/CN EXT MOS 19	
28	HSA	U/CN EXT MOS 20	
29	LOA	UL/CN EXT MOS 17	
30	HOB	VH/CN EXT MOS 15	
31	HSB	V/CN EXT MOS 16	
32	LOB	VL/CN EXT MOS 13	
33	HOC	WH/CN EXT MOS 11	
34	HSC	W/CN EXT MOS 12	
35	LOC	WL/CN EXT MOS 9	
36	PGND	PGND	
37	DA1P	SR1 P/(SR4 P)/CN EXT MOS 6/(Vu DA1P)	
38	DA1N	SR1 N/(SR4 N)/(ANGD)/CN EXT MOS 5	
39	DA2P	SR2 P/(CN HALL 4)/CN EXT MOS 4/(Vv DA2P)	
40	DA2N	SR2 N/(ANGD)/CN EXT MOS 3	
41	DA3P	SR3 P/(CN HALL 3)/CN EXT MOS 2/(Vw DA3P)/(DA3O)	
42	DA3N	SR3 N/(CN HALL 5)/(AGND)/CN EXT MOS 1	
43	VDD	MVDD	
44	AGND	AGND	
45	FBLDO	—	
46	VCC	MVDD	
47	DA3O	CNB09	
48	DA2O	CNB10	
—	EPAD	PGND	

2.2.1.4 Main Parts, Terminals, and Connectors

The main parts, terminals, and connectors on the Evaluation Board are in the following layout.

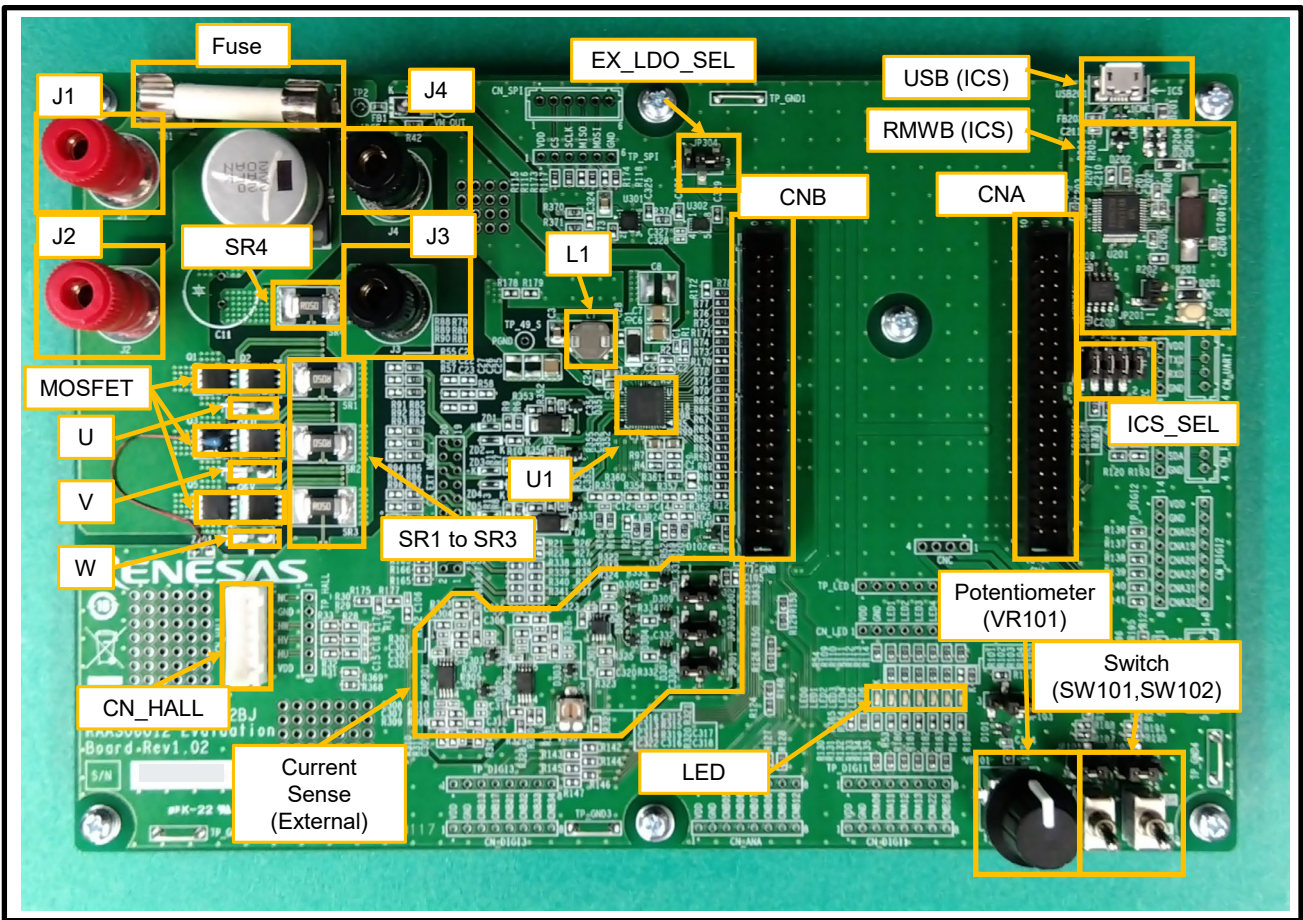


Figure 2-3 Main Parts, Terminals, and Connectors

Table 2-4 Main Parts, Terminals, and Connectors List

Parts Name	Item
U1	RAA306012GNP (Smart Gate Driver)
J1, J4	Power source terminal (J1: + side, J4: - side)
J2, J3	Power supply terminal for MOSFETs (J2: + side, J3: - side)
Fuse	Fuse (Fuse holder)
MOSFET	On-board MOSFET
U, V, W	Motor connection terminal
SR1 to SR3	Shunt resistors for phase current detection
SR4	Shunt resistor for power current detection
L1	Coil for VDRV
CNA, CNB	Connector for Control Board
USB (ICS)	USB terminal for RMWB (ICS)
RMWB (ICS)	RMWB (ICS) circuit. This circuit is not public.
ICS_SEL	RMWB (ICS) selector. Short when using RMWB (ICS)
EX_LDO_SEL	External LDO selector
Current Sense (External)	External current sense circuit
Potentiometer (VR101)	Potentiometer for motor control
Switch (SW101, SW102)	Switch for motor control
LED	LEDs to indicate control status
CN_HALL	Connector for Hall sensor input

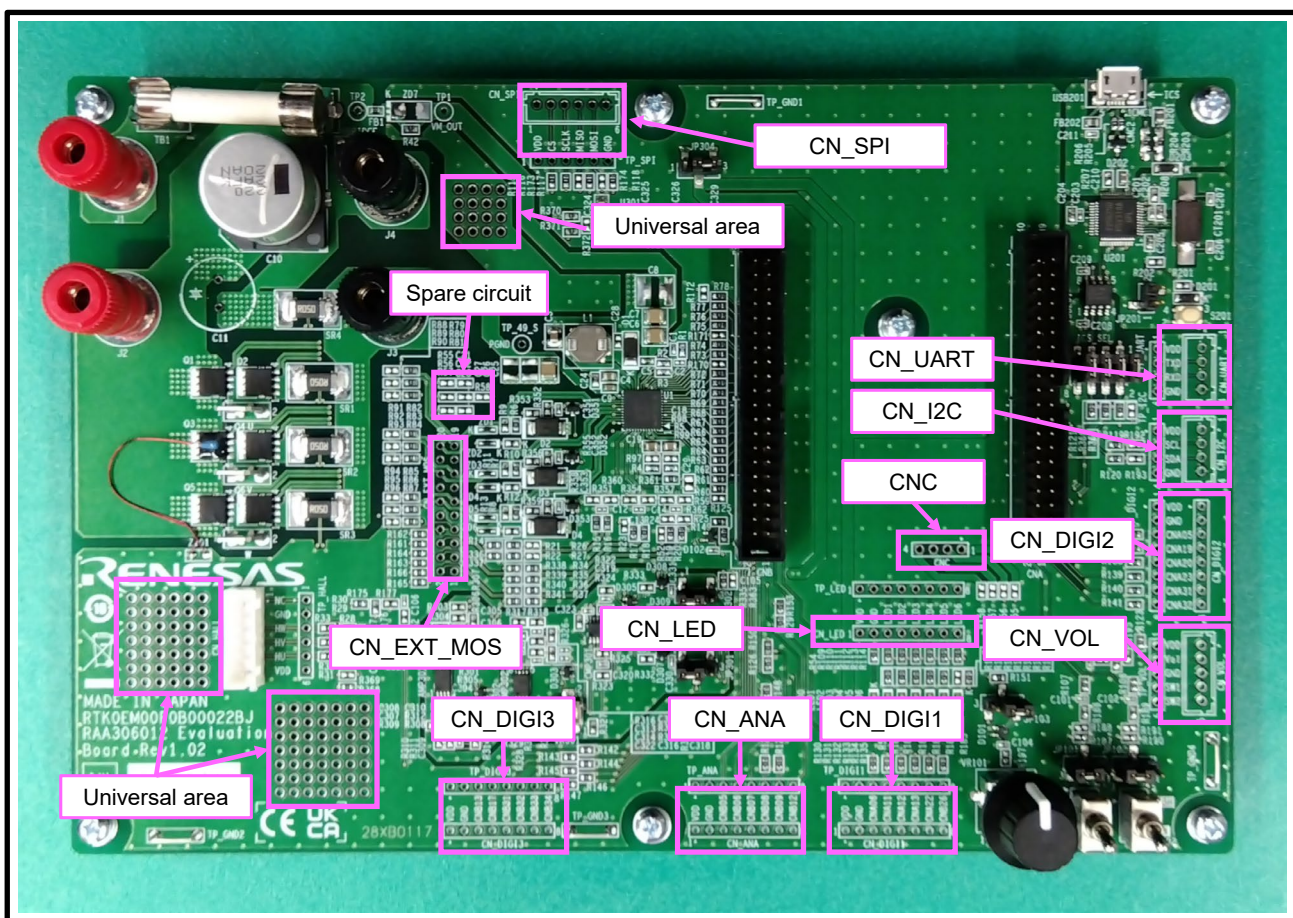


Figure 2-4 Unmounted Connectors and Other Circuits

Table 2-5 Unmounted Connectors and Other Circuits List

Parts Name	Item
CNC	Sub power supply connector for control board
CN_EXT_MOS	Connector for external MOSFET board
CN_ANA	Connector for external analog functions
CN_DIGI1, CN_DIGI2, CN_DIGI3	Connector for external digital functions
CN_VOL	Connector for external controller
CN_LED	Connector for external digital functions
CN_SPI	Connector for external SPI communication
CN_UART	Connector for external UART communication
CN_I2C	Connector for external I <sup>2</sup> C communication
Spare circuit	Spare circuit that can be used for snubbers, etc.
Universal area	Universal area that can be used freely



2.2.2 RX13T Control Board

Table 2-6 Specification List for RX13T Control Board

Item	Specification
Board name	RAA306012 Control Board RX13T Edition (RX13T Control Board)
Product No.	RTK0EMXA10E00002BJ
MCU	RX13T 48Pin (R5F513T5ADFL)
Power supply	AVCC and VCC power supply range: 3.3[V] or 5.0[V] <sup>Note.1</sup>
Operation temperature	Room temperature
Operation humidity	No condensation
Switch/Potentiometer	Reset switch x1
Connector	<ul style="list-style-type: none"> <li>• USB for E2 Lite(E2OB)</li> <li>• Connector for the Evaluation Board (CNA, CNB, CNC)</li> </ul>

Note.1: Due to the specifications of the E2 Lite circuit, it cannot be used with other voltages.

2.2.2.1 Appearance

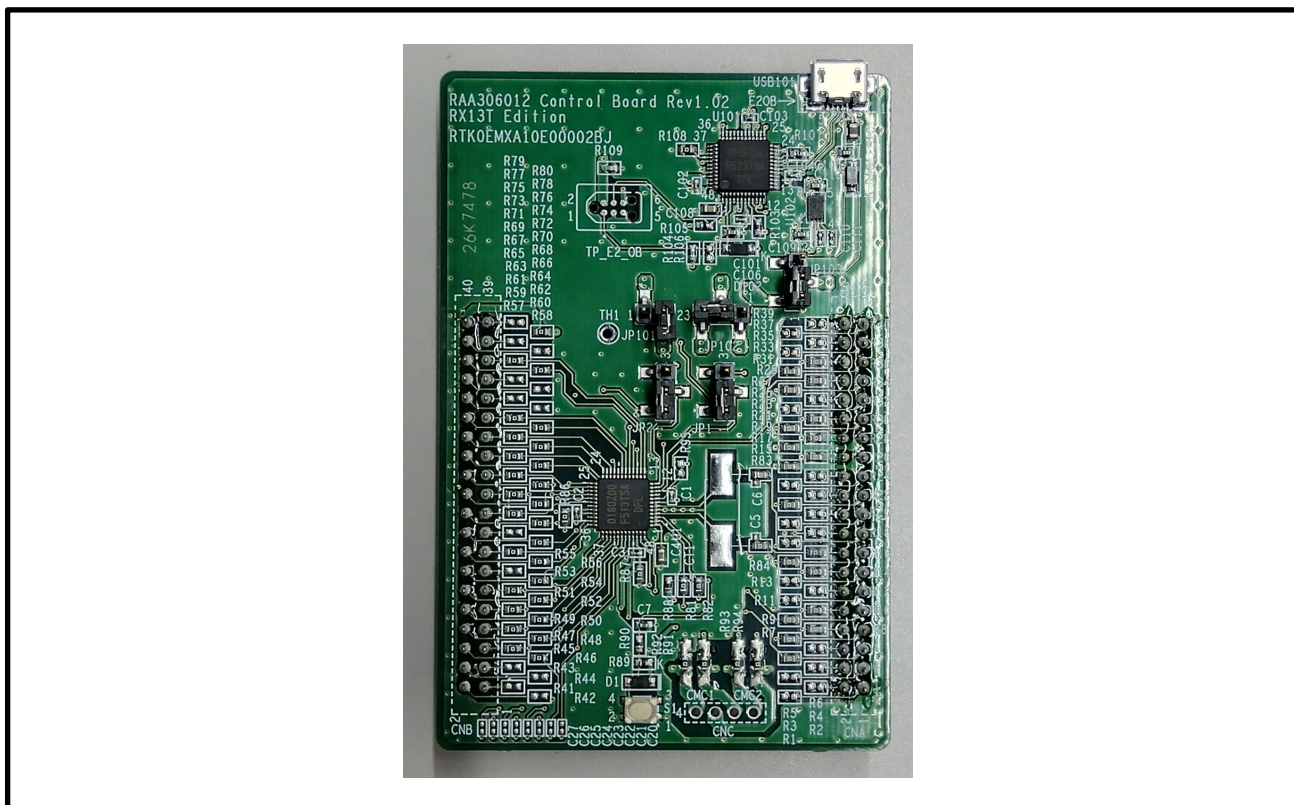


Figure 2-5 Appearance

2.2.2.2 Block Diagram

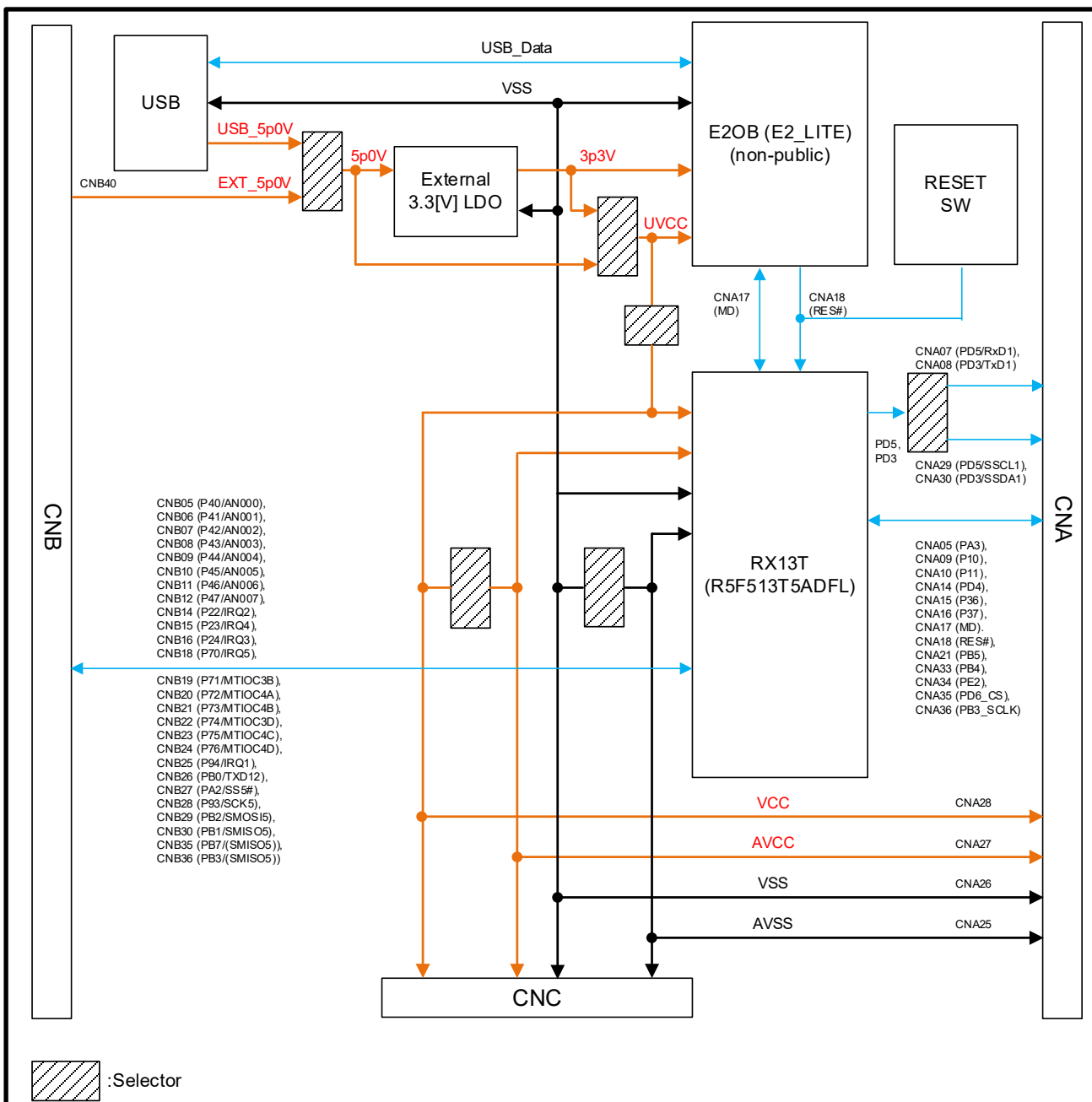


Figure 2-6 Block Diagram

### 2.2.2.3 Pin Assignment

Table 2-7 Pin Assignments of Connector (CNA) for RX13T Control Board

Pin No.	RX13T	Connection to Evaluation Board	Note
CNA01	—	NC	
CNA02	—	NC	
CNA03	—	NC	
CNA04	—	NC	
CNA05	PA3	CN_DIGI2_3	
CNA06	—	CN_DIGI1_3	
CNA07	PD5/RxD1	ICS/CN_UART_3	Select output CNA29
CNA08	PD3/TxD1	ICS/CN_UART_2	Select output CNA30
CNA09	P10	LED1/CN_LED_3	
CNA10	P11	LED2/CN_LED_4	
CNA11	—	CN_DIGI1_4	
CNA12	—	CN_DIGI1_5	
CNA13	—	CN_DIGI1_6	
CNA14	PD4	LED3/CN_LED_5	
CNA15	P36/(EXTAL)	LED4/CN_LED_6	
CNA16	P37/(XTAL)	LED5/CN_LED_7	
CNA17	(MD)	NC	
CNA18	(RES#)	NC	
CNA19	—	CN_DIGI2_4	
CNA20	—	CN_DIGI2_5	
CNA21	PB5	SW101/(CN_VOL_4)	
CNA22	—	CN_DIGI1_7	
CNA23	—	CN_DIGI2_6	
CNA24	—	NC	
CNA25	AVSS0	AGND	
CNA26	VSS	AGND	
CNA27	AVCC0	MVDD	
CNA28	VCC	MVDD	
CNA29	(PD5/SSCL1)	CN_I2C_2	Select output CNA07
CNA30	(PD3/SSDA1)	CN_I2C_3	Select output CNA08
CNA31	—	CN_DIGI2_7	
CNA32	—	CN_DIGI2_8	
CNA33	PB4	SW102/(CN_VOL_5)	
CNA34	PE2	OC#/(LED6)/CN_LED_8	
CNA35	PD6	CN_SPI_2	
CNA36	PB3/(SCK5)	CN_SPI_3	
CNA37	—	NC	
CNA38	—	NC	
CNA39	—	NC	
CNA40	—	NC	

**Table 2-8 Pin Assignment of Connector (CNB) for RX13T Control Board**

Pin No.	RX13T	Connection for Evaluation Board	Note
CNB01	—	NC	
CNB02	—	NC	
CNB03	—	NC	
CNB04	—	NC	
CNB05	P40/AN000	CN_ANA_3/IU_COM	
CNB06	P41/AN001	CN_ANA_4/VBRIDGE_VOL	
CNB07	P42/AN002	CN_ANA_5/IW_COM	
CNB08	P43/AN003	VR101/CN_ANA_6/(CN_VOL_2)	
CNB09	P44/AN004	RAA306012_DA30/CN_ANA_7	
CNB10	P45/AN005	RAA306012_DA20	
CNB11	P46/AN006	RAA306012_DA10	
CNB12	P47/AN007	CN_ANA8/IV_COM	
CNB13	—	CN_DIGI3_3	
CNB14	P22/IRQ2	RAA306012_CMP30	
CNB15	P23/IRQ4	RAA306012_CMP20	
CNB16	P24/IRQ3	RAA306012_CMP10	
CNB17	—	CN_DIGI3_4	
CNB18	P70/IRQ5	RAA306012_EN	
CNB19	P71/MTIOC3B	RAA306012_IN6	
CNB20	P72/MTIOC4A	RAA306012_IN5	
CNB21	P73/MTIOC4B	RAA306012_IN4	
CNB22	P74/MTIOC3D	RAA306012_IN3	
CNB23	P75/MTIOC4C	RAA306012_IN2	
CNB24	P76/MTIOC4D	RAA306012_IN1	
CNB25	P94/IRQ1	RAA306012_nFAULT	
CNB26	PB0	RAA306012_nSMPL	
CNB27	PA2/SS5#	RAA306012_nSCS	
CNB28	P93/SCK5	RAA306012_SCLK	
CNB29	PB2/SMOSI5	RAA306012_SDI	
CNB30	PB1/SMISO5	RAA306012_SDO	
CNB31	—	CN_DIGI3_5	
CNB32	—	CN_DIGI3_6	
CNB33	—	CN_DIGI3_7	
CNB34	—	CN_DIGI3_8	
CNB35	PB7/(SMISO5)	CN_SPI_4	
CNB36	PB6/(SMOSI5)	CN_SPI_5	
CNB37	—	NC	
CNB38	—	NC	
CNB39	—	NC	
CNB40	—	EX_LDO_5p0V	

**Table 2-9 Pin Assignments of Connector (CNC) for RX13T Control Board**

Pin No.	RX13T	Connection to Evaluation Board	Note
CNC01	AVCC	MVDD	
CNC02	VCC	MVDD	
CNC03	AVSS	AGND	
CNC04	VSS	AGND	

2.2.2.4 Main Parts, Terminals, and Connectors

The main parts, terminals, and connectors on the RX13T Control Board are in the following layout.

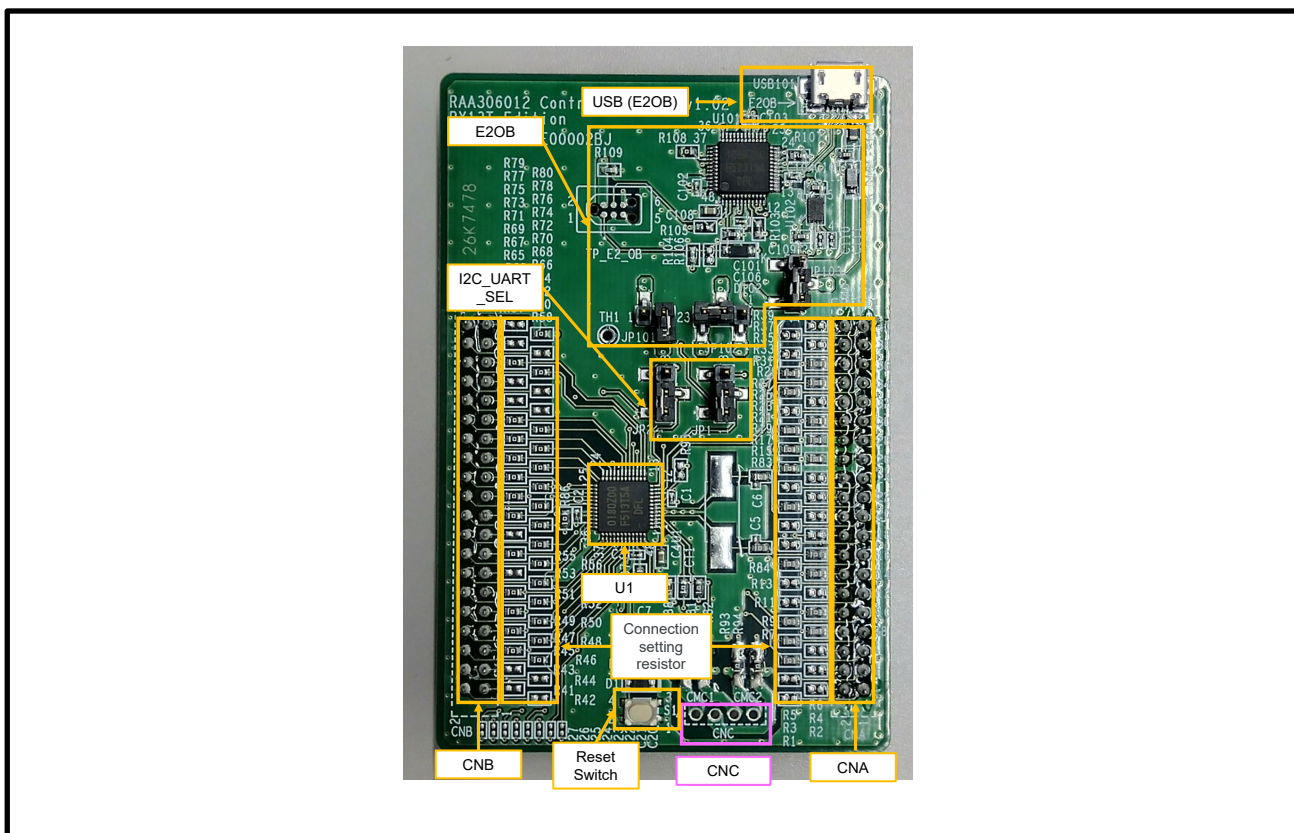


Figure 2-7 Main Parts, Terminals, and Connectors

Table 2-10 Main Parts List

Parts Name	Item
U1	RX13T 48Pin (MCU: R5F513T5ADFL)
CNA, CNB	Connector for Evaluation Board
CNC	Sub power supply connector from Evaluation Board (Unmounted)
I2C_UART_SEL	Selector depending on using the UART or I <sup>2</sup> C function
USB (E2OB)	USB terminal for E2OB
E2OB	Corresponds to E2 Lite debugger circuit. This circuit is not public.
Reset switch (S1)	Reset for RX13T
Connection setting resistor	Resistors used to change the connection between CNA, CNB and RX13T



2.2.3 RL78/G1F Control Board

Table 2-11 Specification List for RL78/G1F Control Board

Item	Specification
Board name	RAA306012 Control Board RL78/G1F Edition (RL78/G1F Control Board)
Product No.	RTK0EML240E00002BJ
MCU	RL78/G1F 64Pin (R5F11BLEGFB)
Power supply	EVDD and VDD power supply range: 3.3[V] or 5.0[V] <sup>Note.1</sup>
Operation temperature	Room temperature
Operation humidity	No condensation
Switch/Potentiometer	Reset switch x1
Connector	<ul style="list-style-type: none"> <li>• USB for E2 Lite</li> <li>• Connector for the Evaluation Board (CNA, CNB, CNC)</li> </ul>

Note.1: Due to the specifications of the E2 Lite circuit, it cannot be used with other voltages.

2.2.3.1 Appearance

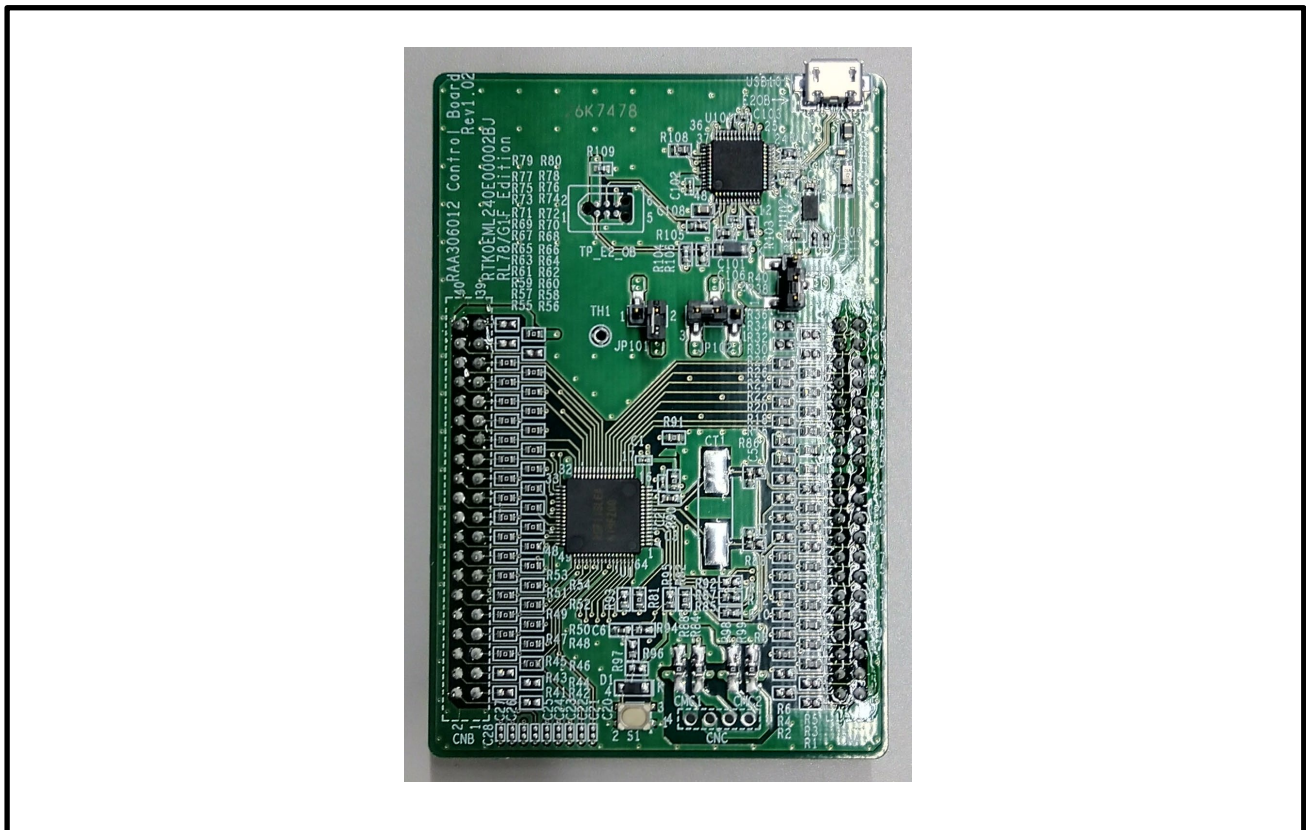


Figure 2-8 Appearance

2.2.3.2 Block Diagram

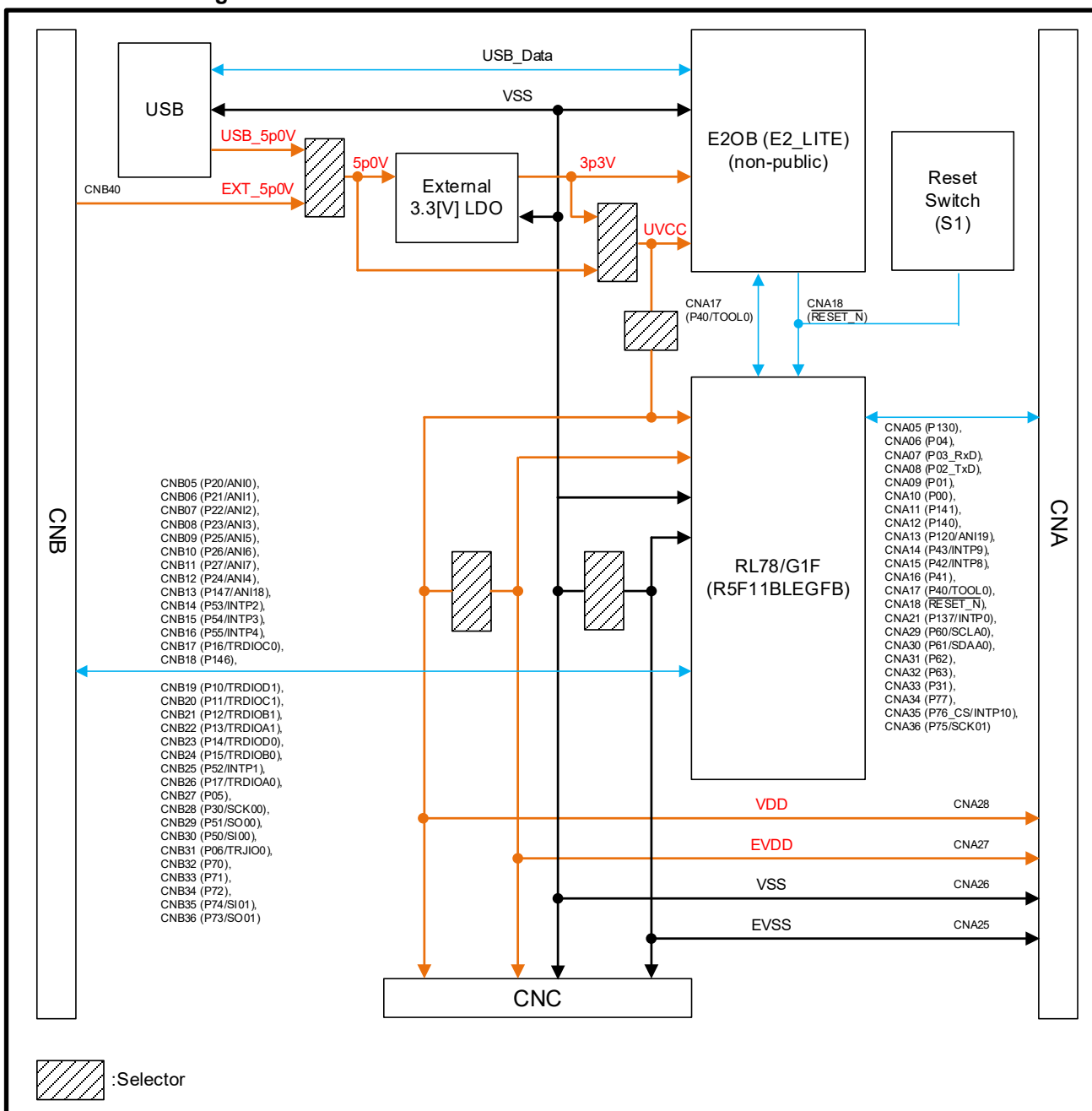


Figure 2-9 Block Diagram

## 2.2.3.3 Pin Assignment

Table 2-12 Assignments of Connector (CNA) for RL78/G1F Control Board

Pin No.	RL78/G1F	Connection to Evaluation Board	Note
CNA01	—	NC	
CNA02	—	NC	
CNA03	—	NC	
CNA04	—	NC	
CNA05	P130	CN_DIGI2_3	
CNA06	P04	CN_DIGI1_3	
CNA07	P03/RXD1	CN_UART_3	
CNA08	P02/TXD1	CN_UART_2	
CNA09	P01	LED1/CN_LED_3	
CNA10	P00	LED2/CN_LED_4	
CNA11	P141	CN_DIGI1_4	
CNA12	P140	CN_DIGI1_5	
CNA13	P120	CN_DIGI1_6	
CNA14	P43	LED3/CN_LED_5	
CNA15	P42	LED4/CN_LED_6	
CNA16	P41	LED5/CN_LED_7	
CNA17	(P40/TOOL0)	NC	
CNA18	(RESET_N)	NC	
CNA19	(P124)	CN_DIGI2_4	
CNA20	(P123)	CN_DIGI2_5	
CNA21	P137	SW101/(CN_VOL_4)	
CNA22	(P122/X2/EXCLK)	CN_DIGI1_7	
CNA23	(P121/X1)	CN_DIGI2_6	
CNA24	—	NC	
CNA25	VSS	AGND	
CNA26	EVSS	AGND	
CNA27	VDD	MVDD	
CNA28	EVDD	MVDD	
CNA29	P60/SCLA0	CN_I2C_2	
CNA30	P61/SDAA0	CN_I2C_3	
CNA31	P62	CN_DIGI2_7	
CNA32	P63	CN_DIGI2_8	
CNA33	P31	SW102/(CN_VOL_5)	
CNA34	P77	OC#/(LED6)/CN_LED_8	
CNA35	P76/INTP10	CN_SPI_2	
CNA36	P75/SCK01	CN_SPI_3	
CNA37	—	NC	
CNA38	—	NC	
CNA39	—	NC	
CNA40	—	NC	

**Table 2-13 Pin Assignment of Connector (CNB) for RL78/G1F Control Board**

Pin No.	RL78/G1F	Connection to Evaluation Board	Note
CNB01	—	NC	
CNB02	—	NC	
CNB03	—	NC	
CNB04	—	NC	
CNB05	P20/ANI0	CN_ANA_3/IU_COM	
CNB06	P21/ANI1	CN_ANA_4/VBRIDGE_VOL	
CNB07	P22/ANI2	CN_ANA_5/IW_COM	
CNB08	P23/ANI3	VR101/CN_ANA_6/(CN_VOL_2)	
CNB09	P25/ANI5	RAA306012_DA30/CN_ANA_7	
CNB10	P26/ANI6	RAA306012_DA20	
CNB11	P27/ANI7	RAA306012_DA10	
CNB12	P24/ANI4	CN_ANA8/IV_COM	
CNB13	P147/ANI18	CN_DIGI3_3	
CNB14	P53/INTP2	RAA306012_CMP30	
CNB15	P54/INTP3	RAA306012_CMP20	
CNB16	P55/INTP4	RAA306012_CMP10	
CNB17	P16/TRDIOC0	CN_DIGI3_4	
CNB18	P146	RAA306012_EN	
CNB19	P10/TRDIOD1	RAA306012_IN6	
CNB20	P11/TRDIOC1	RAA306012_IN5	
CNB21	P12/TRDIOB1	RAA306012_IN4	
CNB22	P13/TRDIOA1	RAA306012_IN3	
CNB23	P14/TRDIOD0	RAA306012_IN2	
CNB24	P15/TRDIOB0	RAA306012_IN1	
CNB25	P52/INTP1	RAA306012_nFAULT	
CNB26	P17/TRDIOA0	RAA306012_nSMPL	
CNB27	P05	RAA306012_nSCS	
CNB28	P30/SCK00	RAA306012_SCLK	
CNB29	P51/SO00	RAA306012_SDI	
CNB30	P50/SI00	RAA306012_SDO	
CNB31	P06/TRJIO0	CN_DIGI3_5	
CNB32	P70	CN_DIGI3_6	
CNB33	P71	CN_DIGI3_7	
CNB34	P72	CN_DIGI3_8	
CNB35	P74/SI01	CN_SPI_4	
CNB36	P73/SO01	CN_SPI_5	
CNB37	—	NC	
CNB38	—	NC	
CNB39	—	NC	
CNB40	—	EX_LDO_5p0V	

**Table 2-14 Pin Assignments of Connector (CNC) for RL78/G1F Control Board**

Pin No	RL78/G1F	Connection to Evaluation Board	Note
CNC01	VDD	MVDD	
CNC02	EVDD	MVDD	
CNC03	VSS	AGND	
CNC04	EVSS	AGND	

2.2.3.4 Main Parts, Terminals, and Connectors

The main parts, terminals, and connectors on the RL78/G1F Control Board are in the following layout.

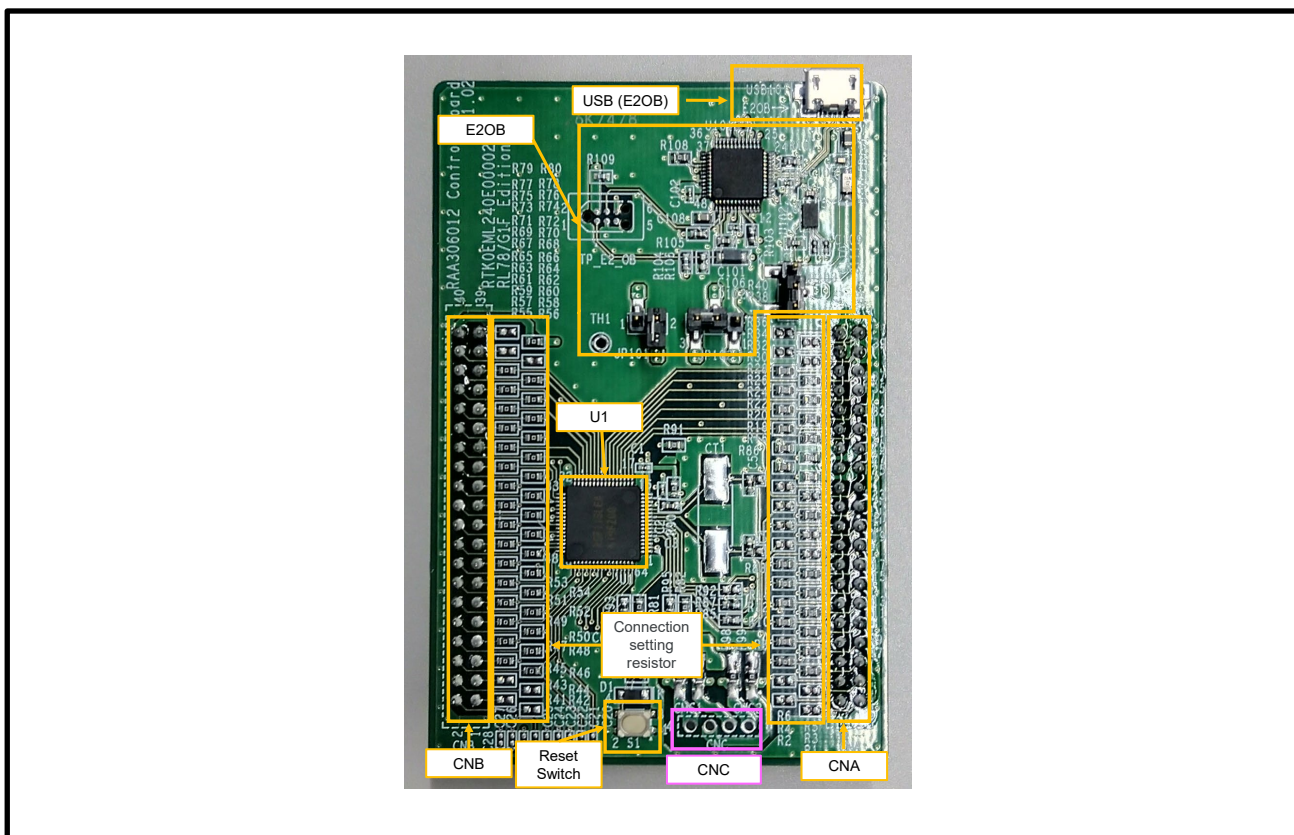


Figure 2-10 Main Parts, Terminals, and Connectors

Table 2-15 Main Parts List

Parts Name	Item
U1	RL78/G1F 64Pin (MCU: R5F11BLEGFB)
CNA, CNB	Connector for Evaluation Board
CNC	Sub power supply connector from Evaluation Board. (Unmounted)
USB (E2OB)	USB terminal for E2OB
E2OB	Corresponds to E2 Lite debugger circuit. This circuit is not public.
Reset switch (S1)	Reset for RL78/G1F
Connection setting resistor	Resistors used to change the connection between CNA, CNB, and RL78/G1F

### 2.3 Motor [TG-55L-KA 24V (TSUKASA ELECTRIC CO., LTD)]

Table 2-16 shows the specification of the attached motor. For the details of the motor specifications, refer to TSUKASA ELECTRIC website.

**Table 2-16 TG-55L-KA 24V Motor Specification**

Rated Voltage	24[V]
Rated Speed	2650[rpm]
No-Load Speed	3900[rpm]
Rated Current	420[mA]
No-Load Current	85[mA]
Torque	19.6[mN·m]

### 2.4 Cable for Motor Connection

The attached cable is used to connect the Evaluation Board and the attached motor. When using a motor other than the attached motor, connect to the motor referring to the parts list and the connection of the attached motor.



**Figure 2-11 Motor Cable Connection**

**Table 2-17 Motor Cable Terminal Parts List**

Parts Number	Product Name	Manufacturer
1	PHDR-12VS	J.S.T. MFG.
2, 3, 4	TMEDN 630809-FA	NICHIFU
5	XHP-6	J.S.T. MFG.

## 2.5 Ferrite Core [E04SR200932 (SEIWA ELECTRIC MFG.)]

The RAA306012 RSSK includes a ferrite core to comply with the EMC Directive. Please use the ferrite core with 2 turns as necessary.



Figure 2-12 Ferrite Core

## Chapter 3. Usage

The RAA306012 RSSK is available for evaluation with some kinds of motor control methods by using the Evaluation Board, Control Board, and Motor attached in this evaluation kit.

This evaluation kit includes the following two types of Control Boards, and each Control Board can be evaluated for two different control methods with sample programs.

This chapter describes the control specifications, board settings, and operation guide when using the sample programs.

For details of the sample programs, please refer to the application notes and source files of each sample program.

- RX13T Control Board
  - Sensorless vector control (**Application Note: R18AN0060EJ** (Factory default FW))
  - Sensorless 120-degree conducting control (**Application Note: R18AN0058EJ**)
- RL78/G1F Control Board
  - Sensorless 120-degree conducting control (**Application Note: R18AN0062EJ**)
  - 120-degree conducting control using Hall sensors (**Application Note: R18AN0062EJ** (Factory default FW))

The sample programs for RAA306012 RSSK are available as either RAJ306101 or RAJ306102 sample programs.

When using the RX13T Control Board, use RAJ306101 sample programs, and when using the RL78/G1F Control Board, use RAJ306102 sample programs.

For changing the sample program, refer to **Chapter 5** Emulator Function and the manual for each development environment.

The appropriate board settings are required for each control method. Refer to the corresponding section for the board settings.

Using 0[Ω] resistors or short-circuiting with solder is required to change the board settings. <sup>Note.1</sup>

Note.1: This product does not include replacement 0[Ω] resistors. 0[Ω] resistors should be prepared by the user or short-circuited by soldering.



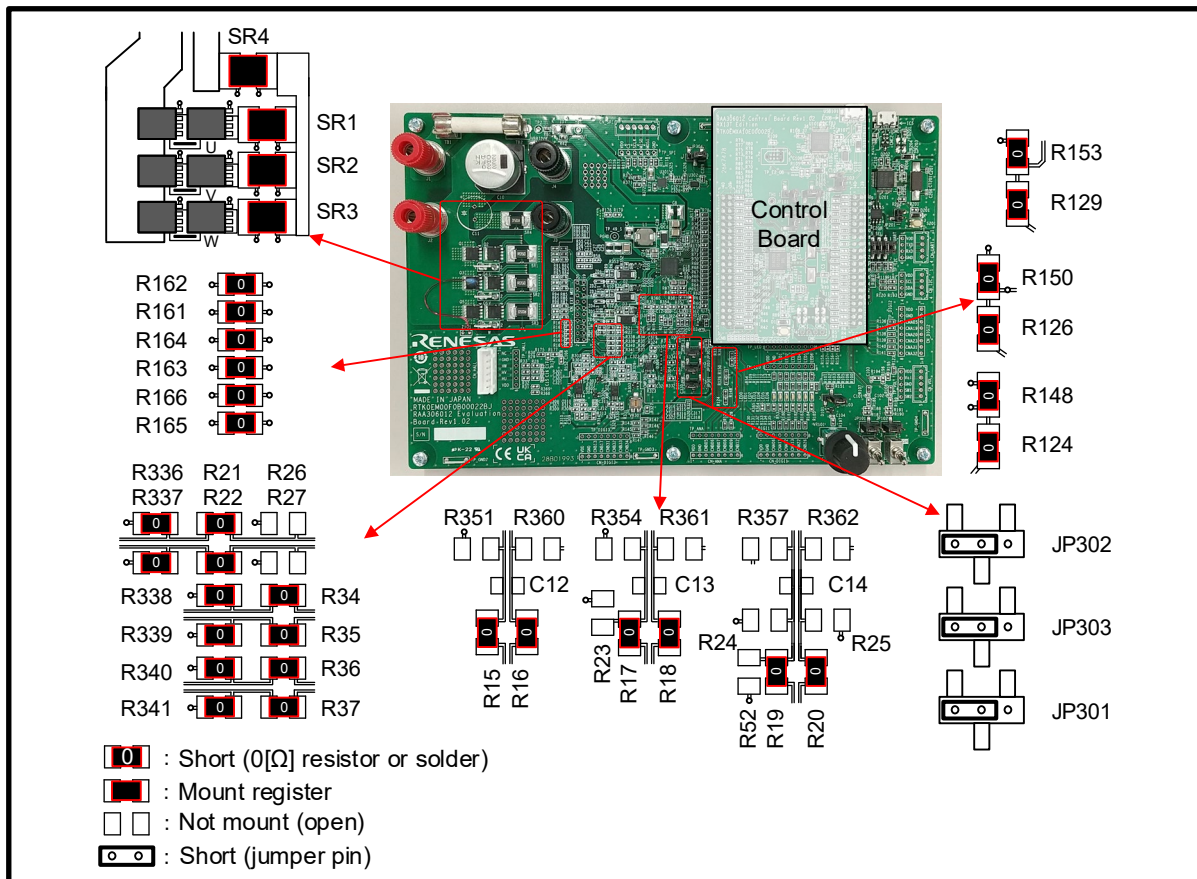
### 3.1 Factory Default Setting

In the factory default setting, the RAA306012 RSSK is configured as a sensorless vector control.

Sensorless vector control evaluation is quickly available by combining the Evaluation Board, RX13T Control Board, and motors that make up the kit.

Refer to **Figure 3-2 Setting of RAA306012 RSSK for Motor Evaluation** for details on the evaluation method.

To evaluate other motor control methods, it is necessary to change the wiring of the Evaluation Board and the FW.



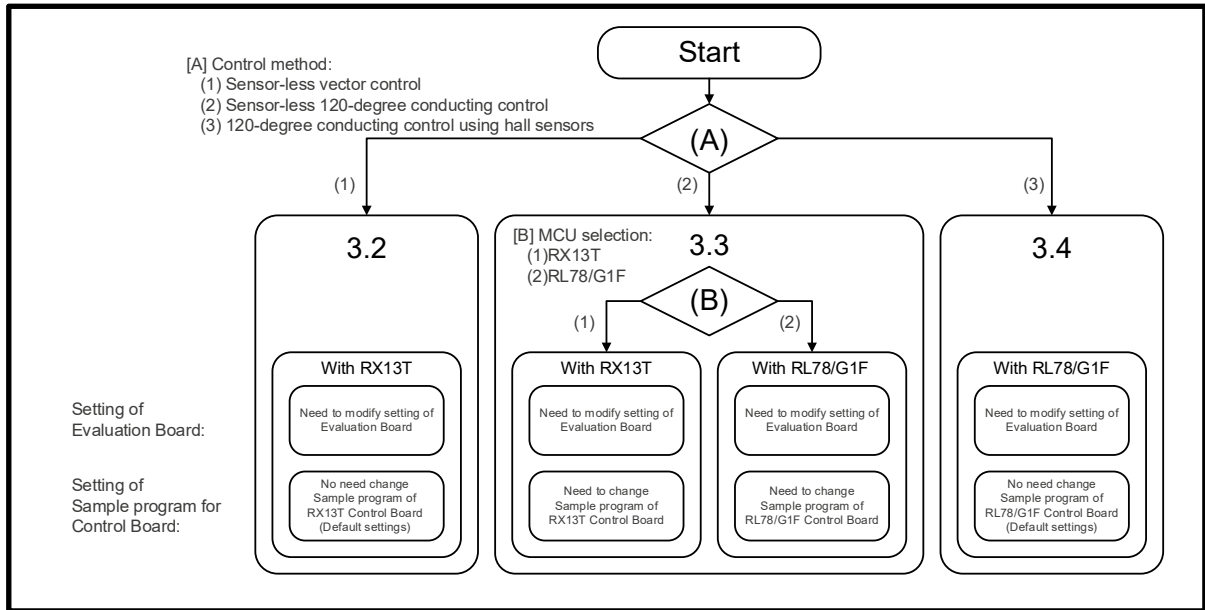


Figure 3-2 Setting of RAA306012 RSSK for Motor Evaluation

## 3.2 Sensorless Vector Control

### 3.2.1 Control Specifications

The sensorless vector control is a control method that estimates the motor position from the motor current in each phase and drives the motor sinusoidally in the appropriate phase.

This motor control method can be evaluated by using the RX13T Control Board. **Table 3-1** shows the control specifications.

For details of the specifics of the program, please refer to the "**RAJ306101 Application Note: Sensorless Vector Control for Permanent Magnetic Synchronous Motor (Implementation) (R18AN0060EJ)**".

**Table 3-1 Basic Specifications of Sensorless Vector Control Software with RX13T Control Board**

Item	Content	
Control method	Vector control	
Position detection method	Sensorless	
Motor rotation start/stop	Determined depending on the level of SW101 ("High": rotation start, "Low": stop) or input from Analyzer	
Input voltage	DC 24[V]	
Carrier frequency (PWM)	20[kHz]	
Dead time	2[μs]	
Control period	Current control / Position and speed estimation: 100[μs] Speed control: 1[ms]	
Rotation speed control range	CW: 0[rpm] to 2650[rpm] CCW: 0[rpm] to 2650[rpm]	
Natural frequency of each control system	Current control system: 300[Hz] Speed control system: 5[Hz] BEMF estimation system: 1000[Hz] Position estimation system: 50[Hz]	
Optimization setting of compiler	Optimization level	2(-optimize=2) (default setting)
	Optimization method	Size priority(-size) (default setting)
ROM/RAM size	ROM: 17.1[KB] RAM: 4.5[KB]	
Processing stop for protection	- Disables the motor control signal output (six outputs), under any of the following conditions. <ol style="list-style-type: none"> <li>1. Current of each phase exceeds 0.89[A] (monitored every 100[μs])</li> <li>2. Inverter bus voltage exceeds 28[V] (monitored every 100[μs])</li> <li>3. Inverter bus voltage is less than 14[V] (monitored every 100[μs])</li> <li>4. Rotation speed exceeds 3000[rpm] (monitored every 100[μs])</li> <li>5. Fault detection of RAA306012</li> </ol> - When an external overcurrent signal is detected (when a falling edge of the POE10# port is detected), the PWM output ports are set to 'Low' state.	

### 3.2.2 Board Settings

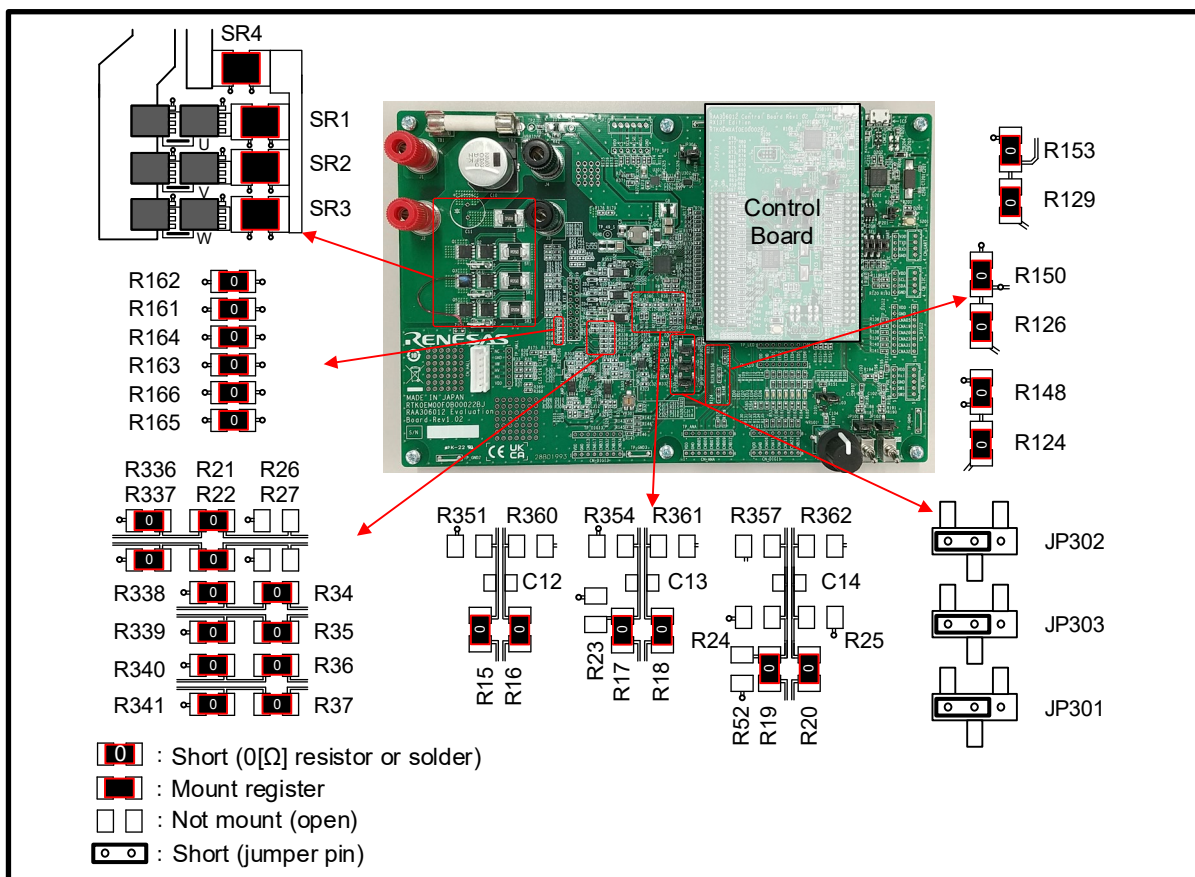
In sensorless vector control, the motor position is inferred from the current flowing in each phase.

The phase currents can be sensed by connecting both ends of the shunt resistors (SR1, SR2, and SR3) of each phase to the built-in differential amplifiers of the RAA306012 or the external current sense circuit. In the sample program, the built-in differential amplifiers are disabled, and the external current sense circuit is used for the phase current sensing.

Align the board connection settings on the Evaluation Board with **Figure 3-3**. <sup>Note.1</sup>

For details on the circuit diagram of the Evaluation Board, refer to the **Schematic (R12TU0221EJ)**.

Note.1: This setting is factory default setting. The sensorless vector control can be evaluated without changing the board connection setting from factory default setting.



**Figure 3-3 Board Connection Settings (Sensorless Vector Control)**

### 3.2.3 Operation Guide

#### 3.2.3.1 Connections

Follow the procedures below to build the evaluation environment.

- a. Connect the RX13T Control Board with sensorless vector control FW written on it to the Evaluation Board.
- b. Connect the Evaluation Board and the motor U, V, and W by the attached cable. (Sensorless vector control does not require the connections of Hall signals.)
- c. Connect the power source and the Evaluation Board. (Do not supply power at this time.)

The RAA306012 RSSK includes a ferrite core to comply with the EMC Directive. Please use the ferrite core with 2 turns as necessary.

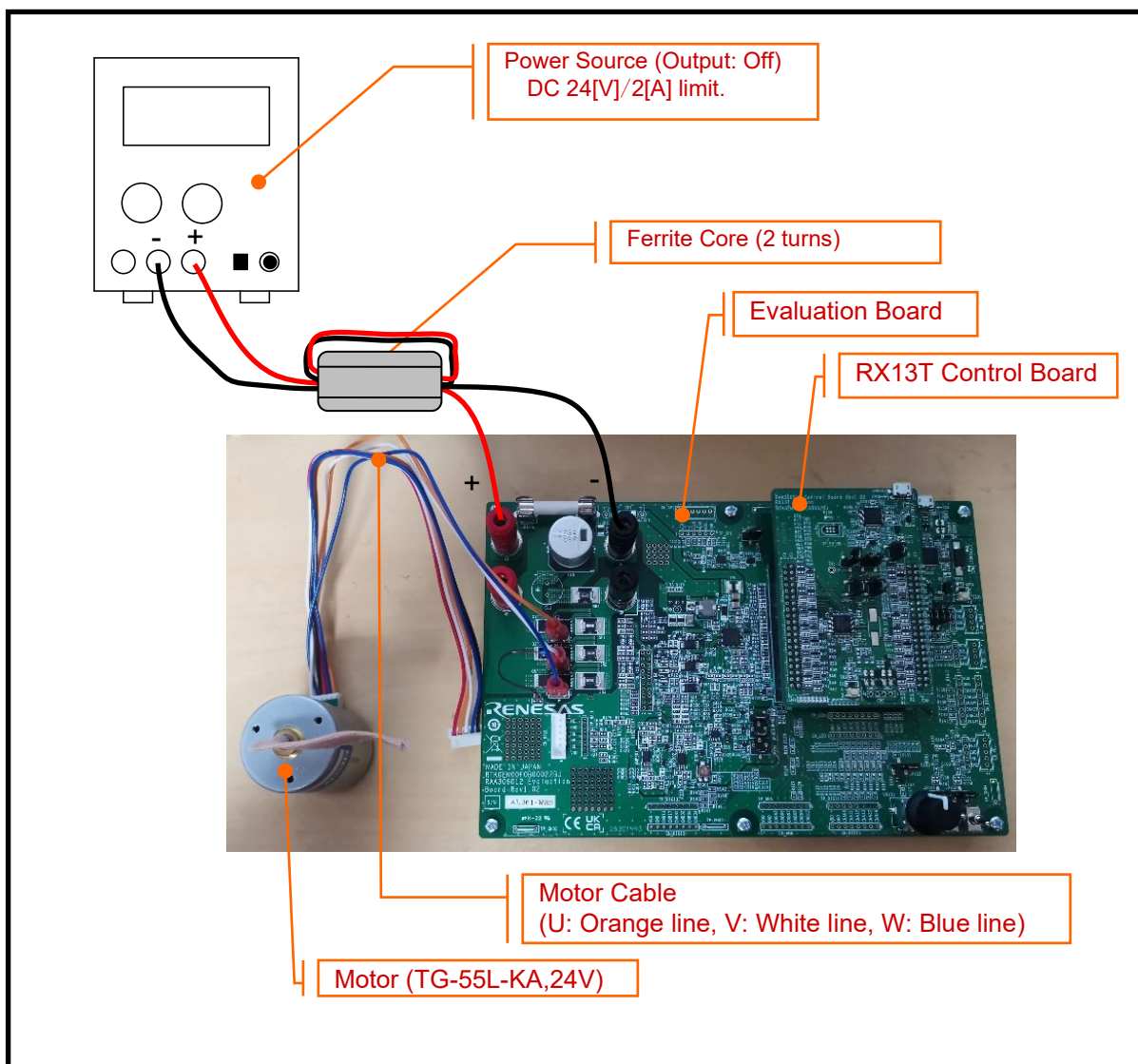
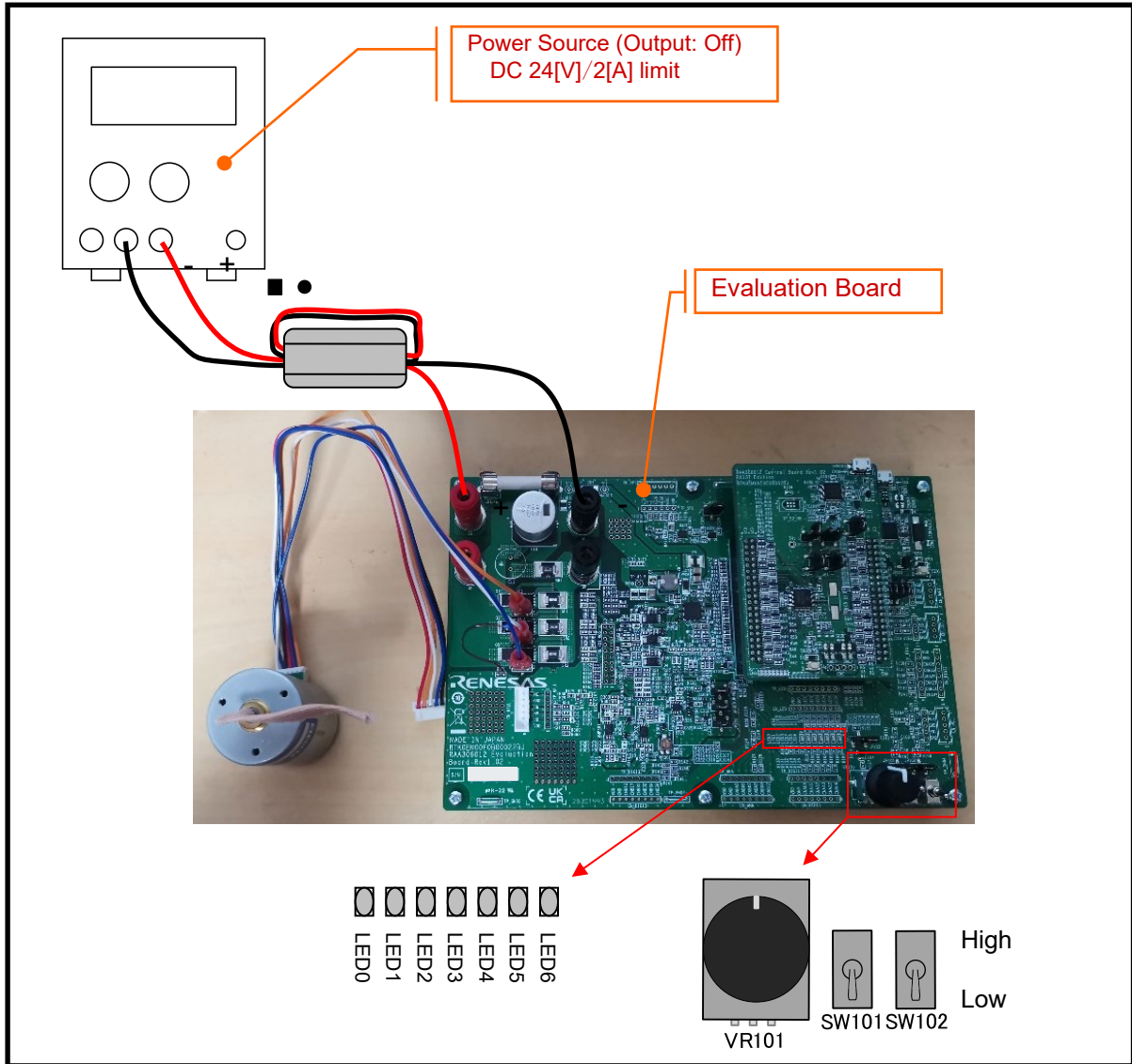


Figure 3-4 Connections for Evaluation Environment

**3.2.3.2 Initial Setting**

Set the toggle switches (SW101, SW102) to Low and set the potentiometer (VR101) to center.  
 (The state in which the knob mark is directly above the knob is called center. The potentiometer used on this board has a pivot point in the center position.)



**Figure 3-5 Initial Settings for Evaluation Board**



### 3.2.3.3 Power Supply

Supply DC 24[V] to Evaluation Board.

The LED0 lights up when power is supplied.

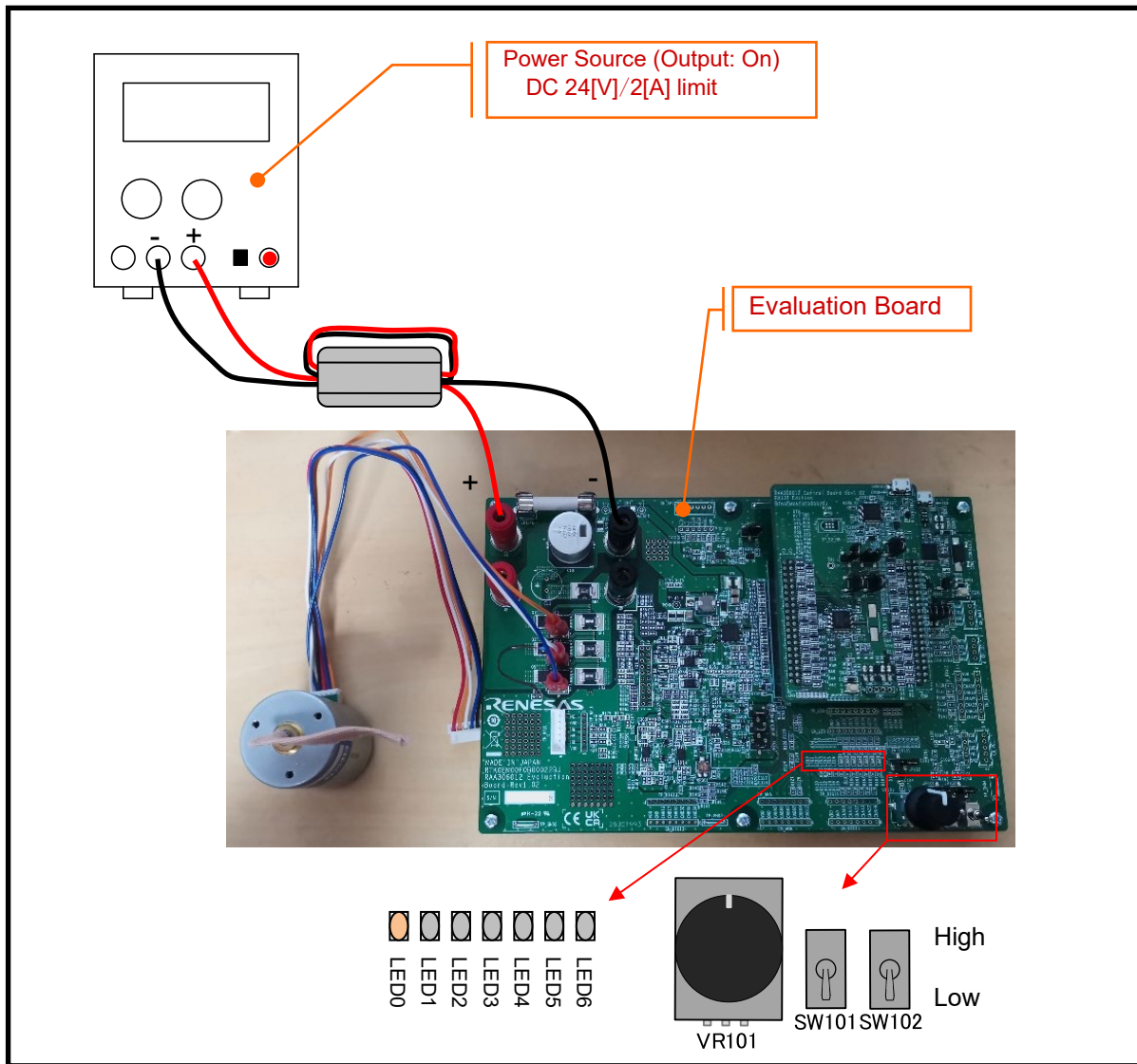


Figure 3-6 Power Supply for Evaluation Board

### 3.2.3.4 Motor Operation

Set SW101 to High and turn the potentiometer (VR101).

The motor rotates according to the direction and amount of turning the potentiometer (VR101).  
The LEDs light up according to the control state.

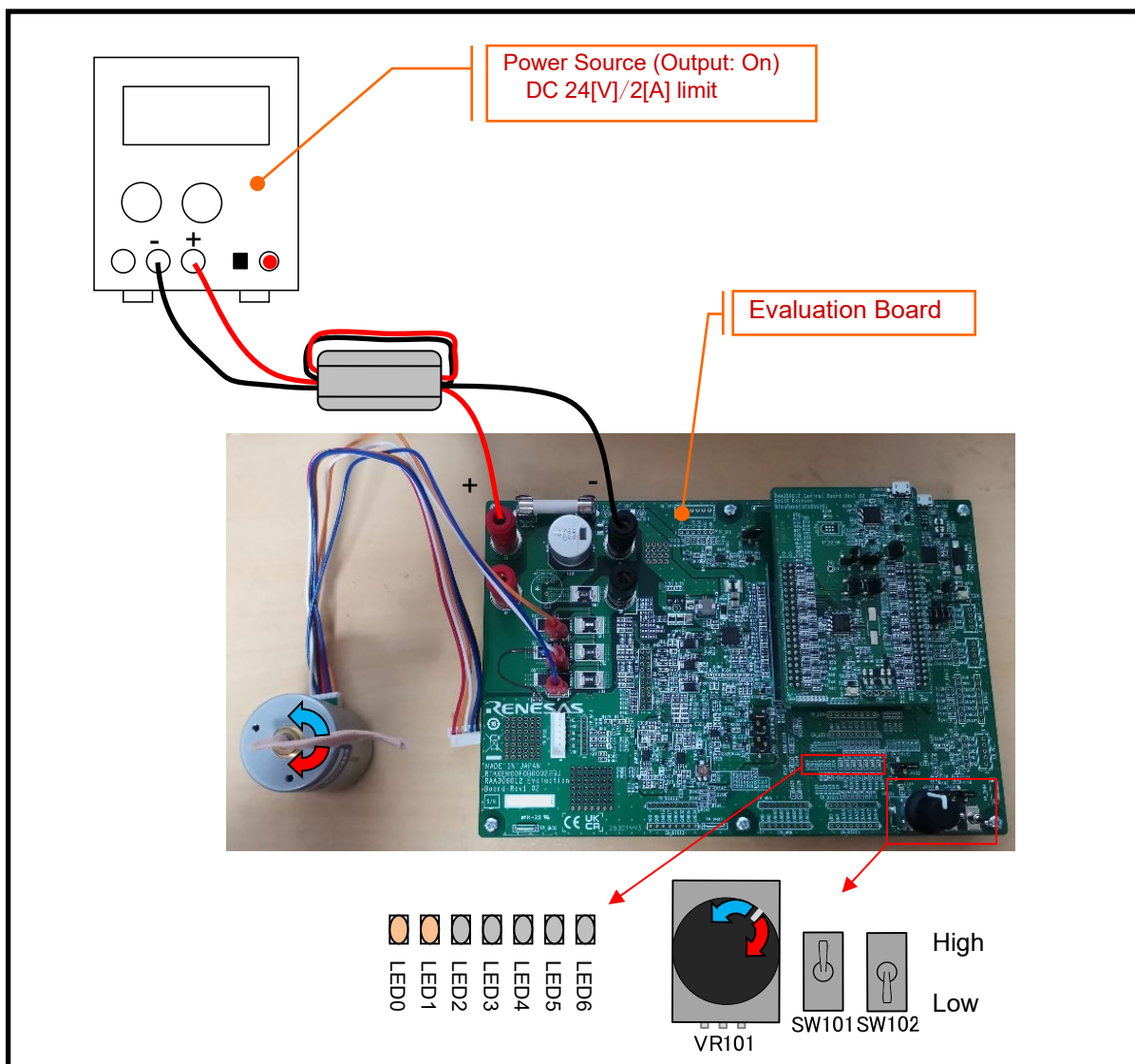


Figure 3-7 Motor Operation



### 3.2.3.5 Stop Motor Operation

To stop the motor, return the potentiometer (VR101) to the center and set SW101 to Low.

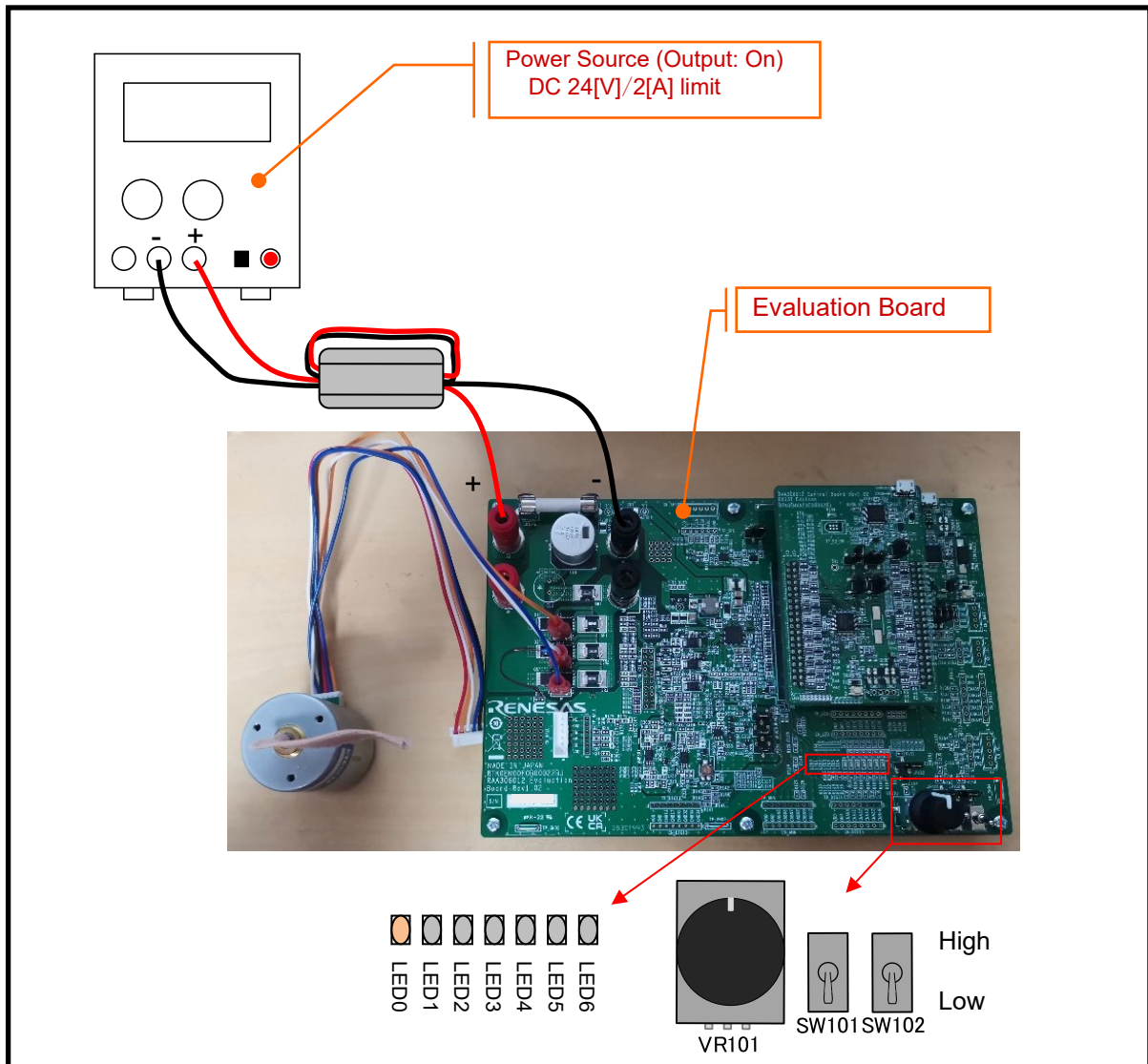


Figure 3-8 Stop Motor Operation

### 3.2.3.6 Stop Power Supply

Stop the power supply.

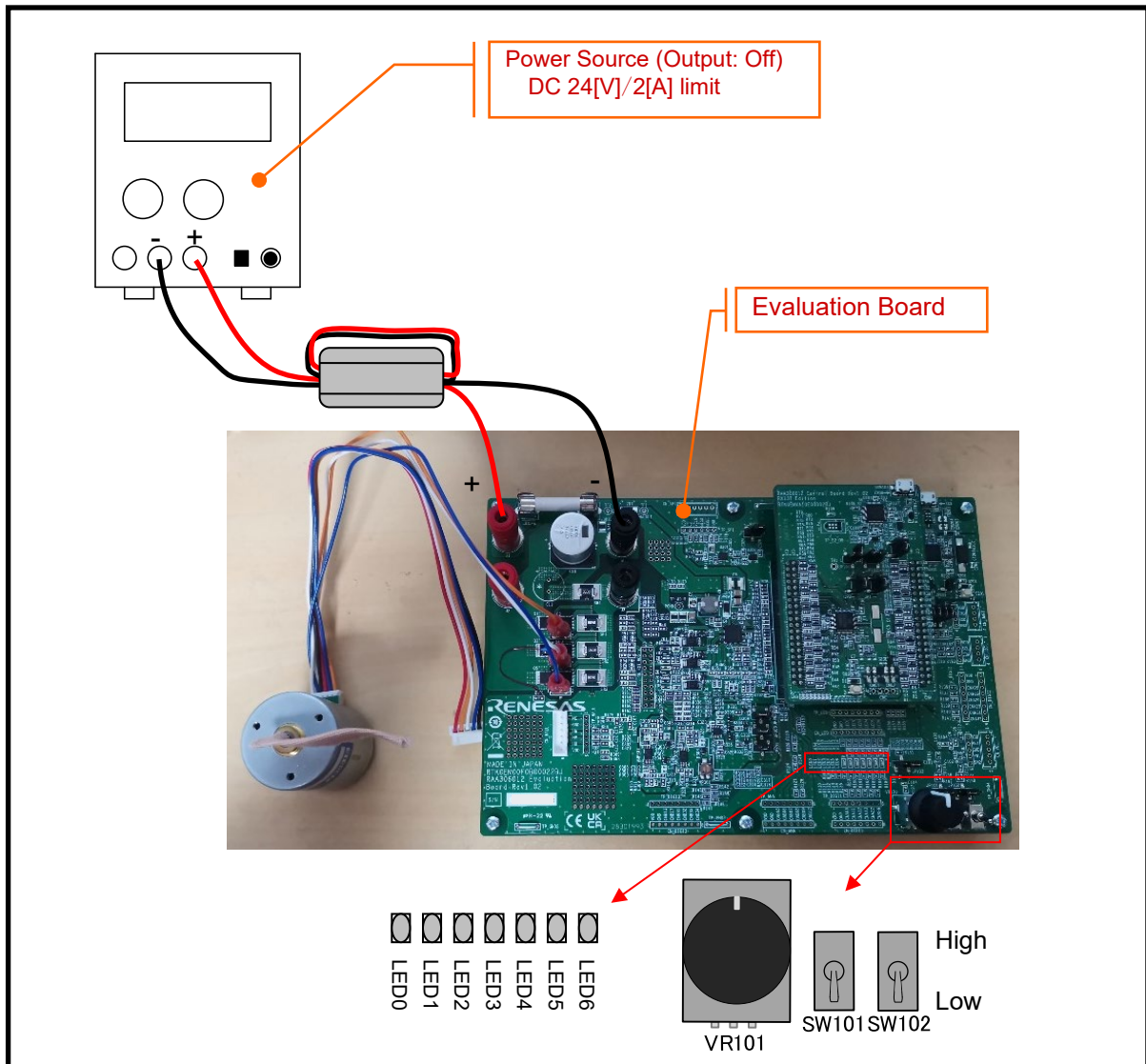


Figure 3-9 Stop Power Supply

### 3.3 Sensorless 120-degree Conducting Control

#### 3.3.1 Control Specifications

The sensorless 120-degree conducting control is a method that controls the motor by switching the energized phase based on the inductive voltage (BEMF) generated by the motor rotation.

This motor control method can be evaluated by using the RX13T Control Board or RL78/G1F Control Board. **Table 3-2** and **Table 3-3** show the control specifications.

For details of the specifics of the program, please refer to the "**RAJ306101 Application Note: Sensorless 120-degree Conducting Control for Permanent Magnetic Synchronous Motor (Implementation) (R18AN0058EJ)**" or "**RAJ306102 Application Note: 120-degree Conducting Control of Permanent Magnetic Synchronous Motor (Implementation) (R18AN0062EJ)**".

**Table 3-2 Basic Specifications of Sensorless 120-degree Conducting Control Software with RX13T Control Board**

Item	Content
Control method	120-degree conducting method (chopping at the first 60 degrees)
Motor rotation start/stop	Determined by the level of SW101 "Low": rotation stop "High": rotation start or input from GUI
Position detection of rotor magnetic pole	Position detection by inductive voltage (by 60 degrees)
Input voltage	DC24[V]
Carrier frequency (PWM)	20[kHz]
Control cycle	Zero-crossing determination is performed from inductive voltage, for each carrier cycle PWM duty settings and conduction pattern are determined when switching patterns Speed PI control: every 2[ms]
Rotation speed control range	Both CW and CCW: 1000[rpm] to 2650[rpm]
SW routine for protection	Disables the motor control signal output (six outputs), under any of the following conditions. <ol style="list-style-type: none"> <li>1. Current of each phase exceeds 0.89[A] (monitored every 50[μs])</li> <li>2. Inverter bus voltage exceeds 28[V] (monitored per 50[μs])</li> <li>3. Inverter bus voltage is less than 14[V] (monitored per 50[μs])</li> <li>4. Rotation speed exceeds 3000[rpm] (monitored per 50[μs])</li> <li>5. At the time of Sensorless drive, zero-crossing is not detected for 50[ms].</li> <li>6. Fault detection of virtual Hall sensor pattern (position information)</li> <li>7. Fault detection of RAA306012</li> </ol> The ports executing PWM output are set to low when an overcurrent is detected (when a falling edge of the POE10# port is detected).

**Table 3-3 Basic Specifications of Sensorless 120-degree Conducting Control Software with RL78/G1F Control Board**

Item	Content
Control method	120-degree conducting method (chopping upper arm)
Motor rotation start/stop	Determined depending on the level of SW101 ("High": rotation start "Low": stop) or input from Renesas Motor Workbench
Position detection of rotor magnetic pole	Sensorless: Position detection based on induced voltage measured by A/D converters (every 60 degrees) When position of rotor is detected, PWM duty and conducting pattern are set at same time.
Input voltage	DC24[V]
Main clock frequency	CPU clock: $f_{CLK}$ 32[MHz] TRD clock: $f_{HOCO}$ 64[MHz]
Carrier frequency (PWM)	20 [kHz]
Dead time	2[ $\mu$ s]
Control cycle	Speed PI control: every 1[ms]
Rotational speed control range	Sensorless control mode: 265[rpm] to 3200[rpm] (Note.1) CW and CCW are supported
Optimization	Default
Processing stop for protection	Disables the motor control signal output (six outputs), under any of the following conditions. <ol style="list-style-type: none"> <li>1. Inverter bus voltage exceeds 28[V] (monitored per 1[ms])</li> <li>2. Inverter bus voltage is less than 15[V] (monitored per 1[ms])</li> <li>3. Rotational speed exceeds 3900[rpm] (monitored per 1[ms])</li> <li>4. Zero-crossing are not detected for 200[ms].</li> <li>5. Detection of unexpected output voltage pattern</li> <li>6. Detection of overcurrent by external circuit (low-level input)</li> <li>7. Fault detection of RAA306012</li> </ol>

Note.1: Please refrain from driving motor over the rated speed for a long period.

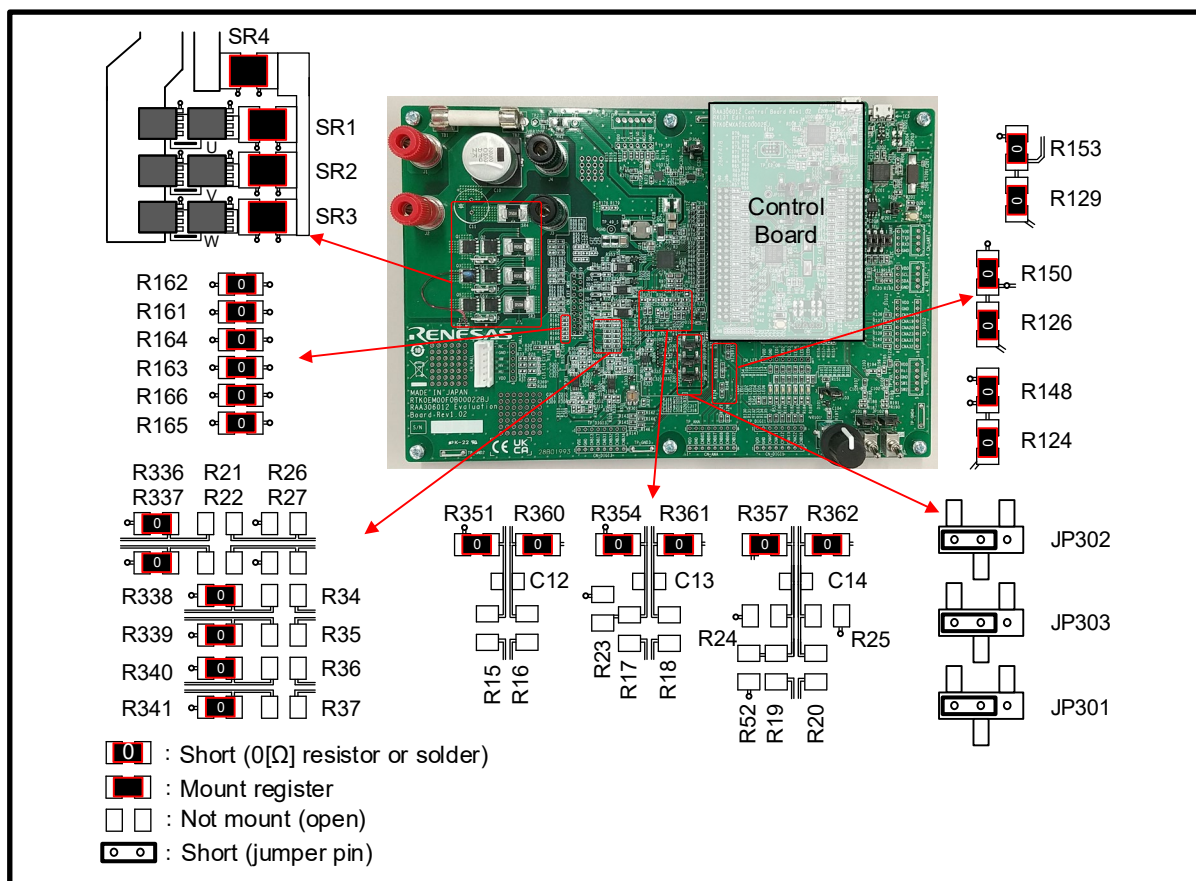
### 3.3.2 Board Settings

In the sensorless 120-degree conducting control, the motor position is detected by zero-crossing of the inductive voltage (BEMF).

The inductive voltage (BEMF) can be sensed by input the phase voltages to the differential amplifiers or BEMF sense amplifier of the smart gate driver. In the sample program, the BEMF sense amplifier is disabled and the differential amplifiers are used for BEMF sensing.

Align the board connection settings on the Evaluation Board with **Figure 3-10**.

For details on the circuit diagram of the Evaluation Board, refer to the **Schematic (R12TU0221EJ)**.



**Figure 3-10 Board Connection Settings (Sensorless 120-degree Conducting Control)**

### 3.3.3 Operation Guide

#### 3.3.3.1 Connections

Follow the procedures below to build the evaluation environment.

- a. Connect the RX13T or RL78/G1F Control Board with Sensorless 120-degree conducting control FW written on it to the Evaluation Board.
- b. Connect the Evaluation Board and the motor U, V, and W by the attached cable. (Sensorless 120-degree conducting control does not require the connections of Hall signals.)
- c. Connect the power source and the Evaluation Board. (Do not supply power at this time.)

The RAA306012 RSSK includes a ferrite core to comply with the EMC Directive. Please use the ferrite core with 2 turns as necessary.

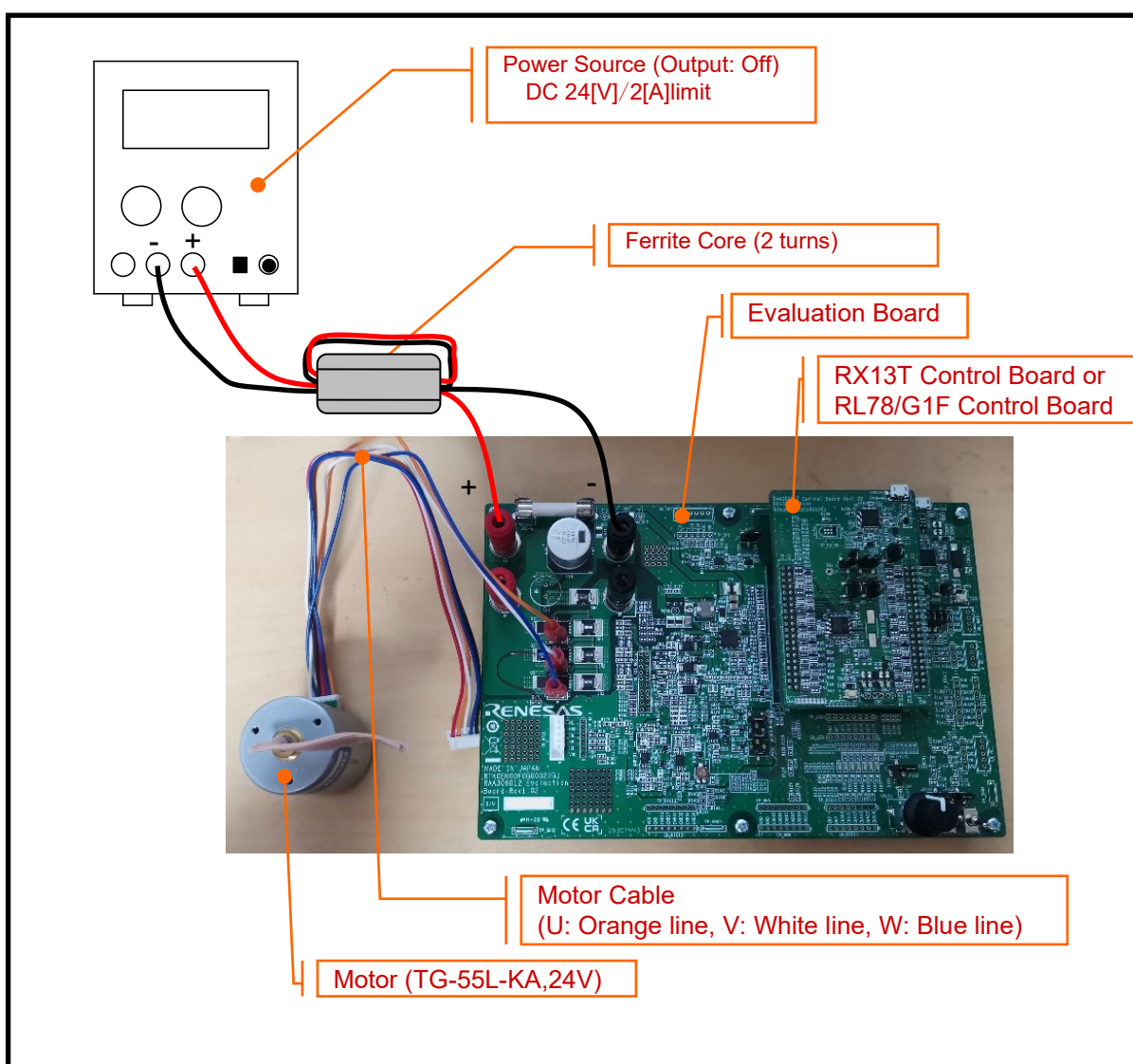


Figure 3-11 Connections for Evaluation Environment



### 3.3.3.2 Initial Setting

Set the toggle switches (SW101, SW102) to Low and set the potentiometer (VR101) to center.  
 (The state in which the knob mark is directly above the knob is called center. The potentiometer used on this board has a pivot point in the center position.)

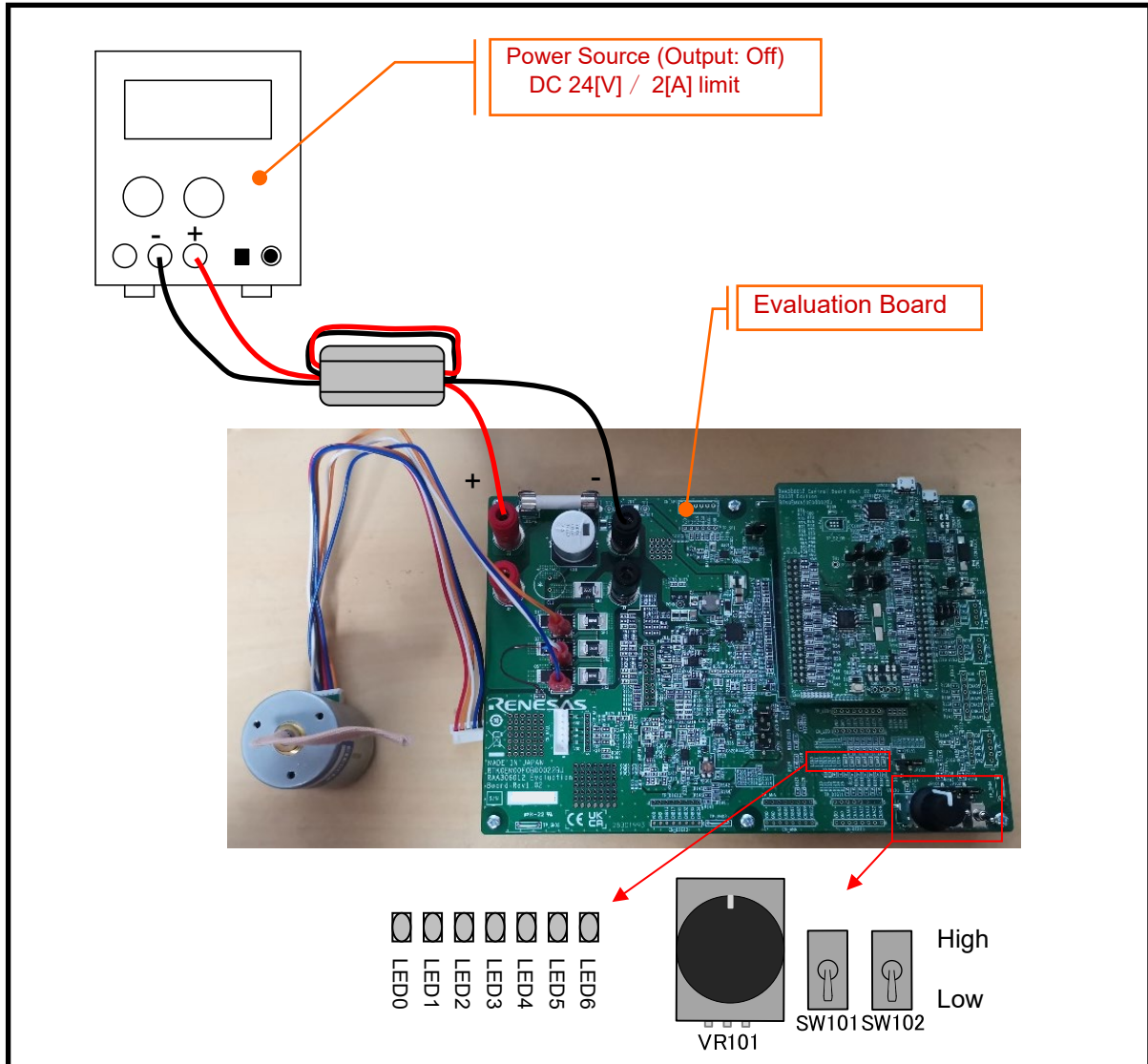


Figure 3-12 Initial Settings for Evaluation Board



### 3.3.3.3 Power Supply

Supply DC 24[V] to Evaluation Board by connecting the power source.

The LED0 lights up when power is supplied.

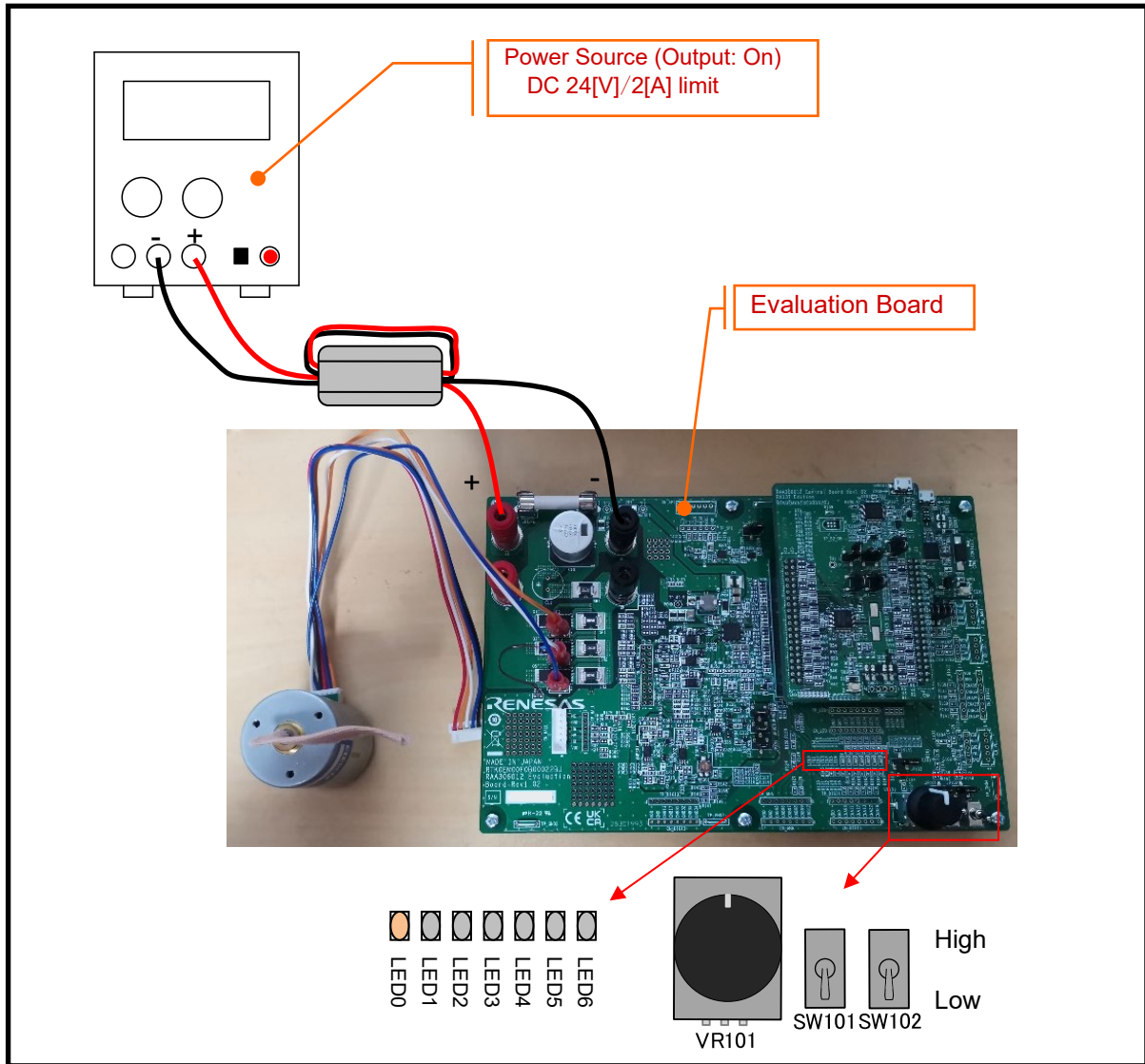


Figure 3-13 Power Supply for Evaluation Board

### 3.3.3.4 Motor Operation

Set SW101 to High and turn the potentiometer (VR101).

The motor rotates in the direction in which the potentiometer (VR101) is turned, according to the amount of turning. The LEDs light up according to the control.

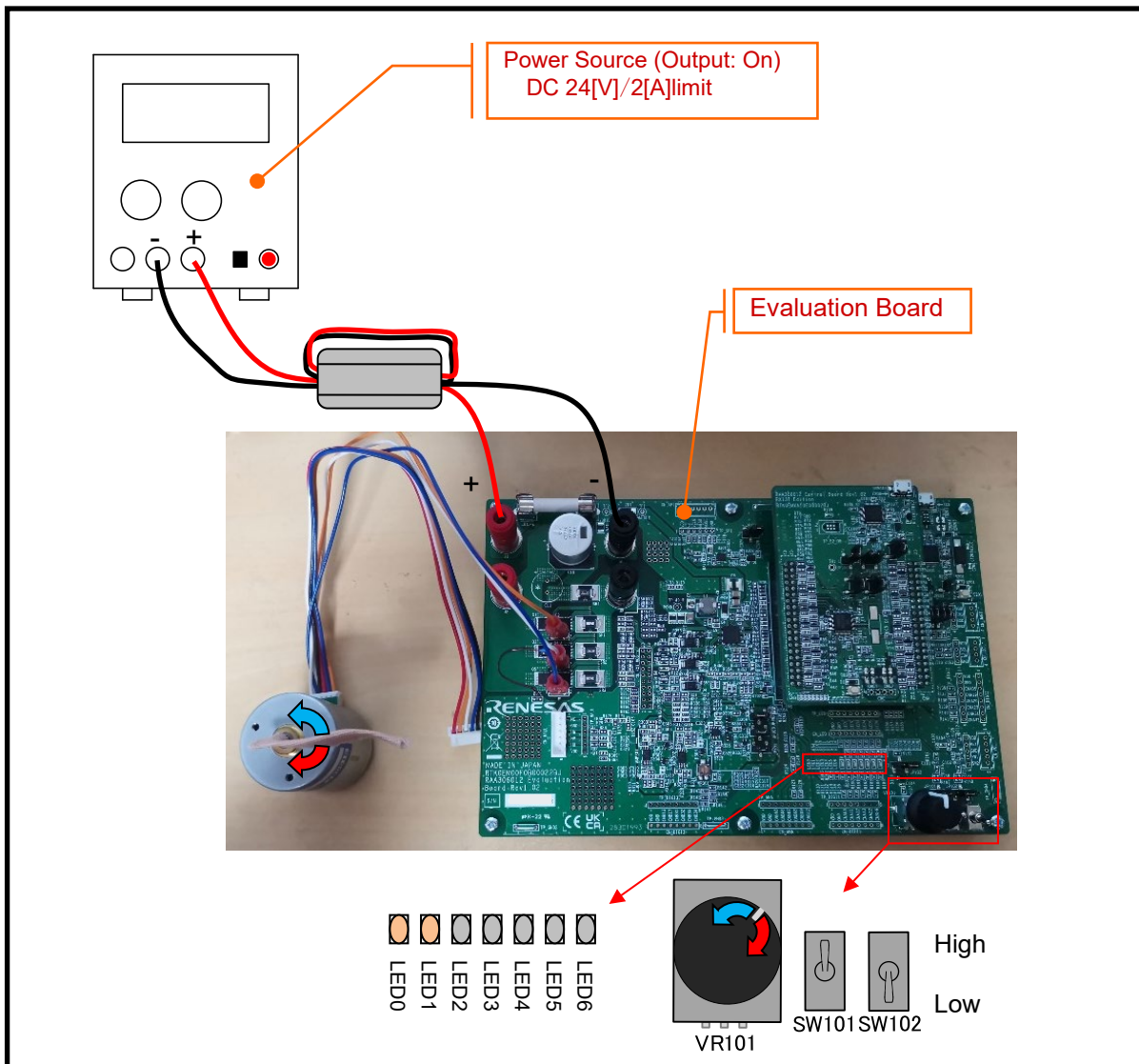


Figure 3-14 Motor Operation

### 3.3.3.5 Stop Motor Operation

To stop the motor, return the potentiometer (VR101) to the center and set SW101 to Low.

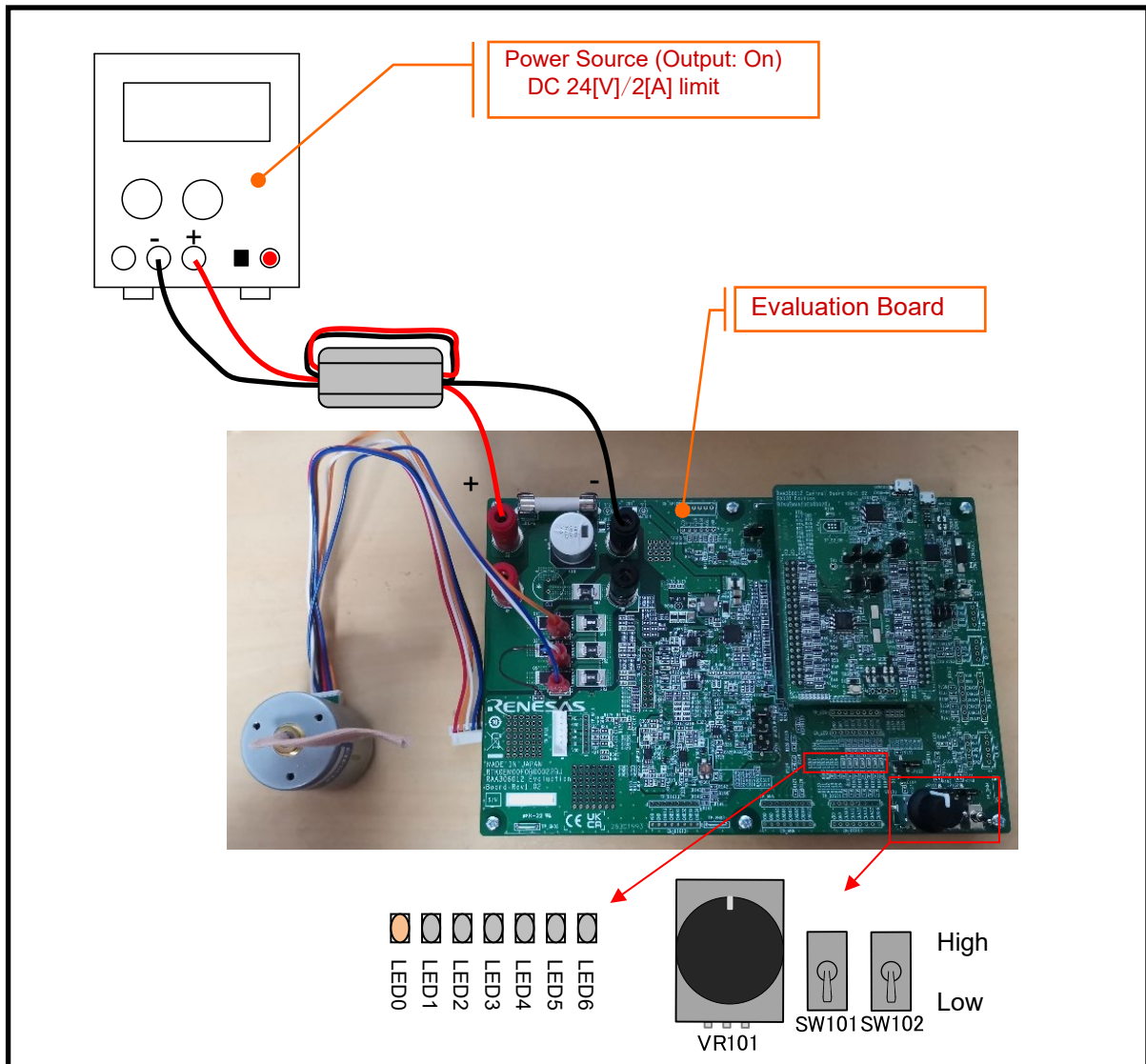


Figure 3-15 Stop Motor Operation

### 3.3.3.6 Stop Power Supply

Stop the power supply.

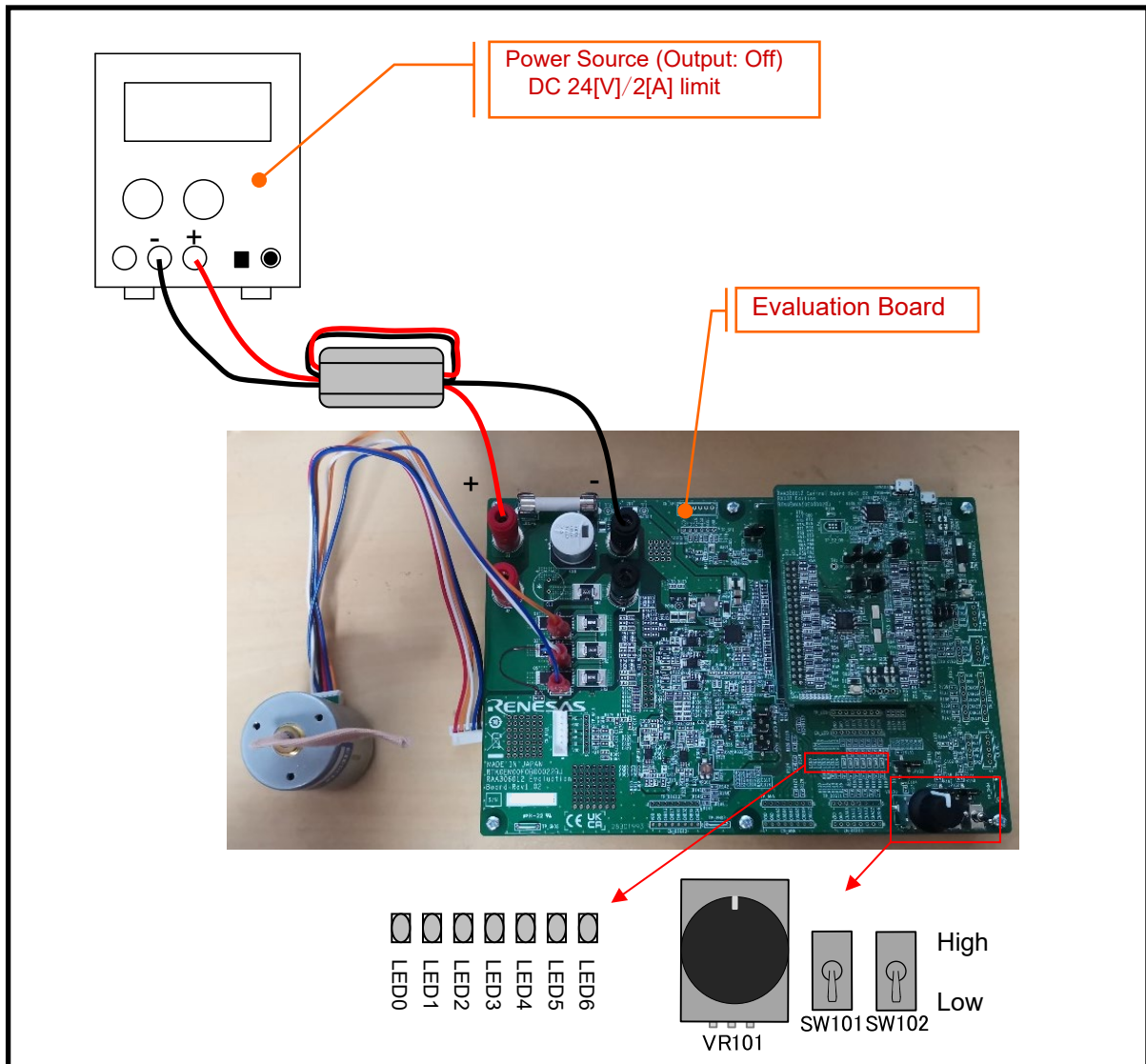


Figure 3-16 Stop Power Supply

## 3.4 120-degree Conducting Control Using Hall Sensors

### 3.4.1 Control Specifications

The 120-degree conducting control using Hall sensors is a method that controls the motor by switching the energized phase according to the Hall signal.

This motor control method can be evaluated by using the RL78/G1F Control Board.

**Table 3-4** shows the control specifications.

For details of the specifics of the program, please refer to the “**RAJ306102 Application Note: 120-degree Conducting Control of Permanent Magnetic Synchronous Motor (Implementation) (R18AN0062EJ)**”.

**Table 3-4 Basic Specifications of 120-degree Conducting Control Using Hall Sensors with RL78/G1F Control Board**

Item	Content
Control method	120-degree conducting method (chopping upper arm)
Motor rotation start/stop	Determined depending on the level of SW101 (“High”: rotation start “Low”: stop) or input from Renesas Motor Workbench
Position detection of rotor magnetic pole	Hall effect sensor: Position detection based on interruption of signal from Hall effect sensors (every 60 degrees) When position of rotor is detected, PWM duty and conducting pattern are set at same time.
Input voltage	DC 24[V]
Main clock frequency	CPU clock: $f_{CLK}$ 32[MHz] TRD clock: $f_{HOCO}$ 64[MHz]
Carrier frequency (PWM)	20[kHz]
Dead time	2[ $\mu$ s]
Control cycle	Speed PI control: every 1[ms]
Rotational speed control range	Hall effect sensor control mode: 530[rpm] to 3200[rpm] <sup>(Note,1)</sup> CW and CCW are supported
Optimization	Default
Processing stops for protection	Disables the motor control signal output (six outputs), under any of the following conditions. <ol style="list-style-type: none"> <li>1. Inverter bus voltage exceeds 28[V] (monitored per 1[ms])</li> <li>2. Inverter bus voltage is less than 15[V] (monitored per 1[ms])</li> <li>3. Rotational speed exceeds 3900[rpm] (monitored per 1[ms])</li> <li>4. Hall effect sensor interruptions are not detected for 200[ms].</li> <li>5. Detection of unexpected output voltage pattern</li> <li>6. Detection of overcurrent by external circuit (low-level input)</li> <li>7. Fault detection of RAA306012</li> </ol>

Note.1: Please refrain from driving motor overrated speed for a long period.

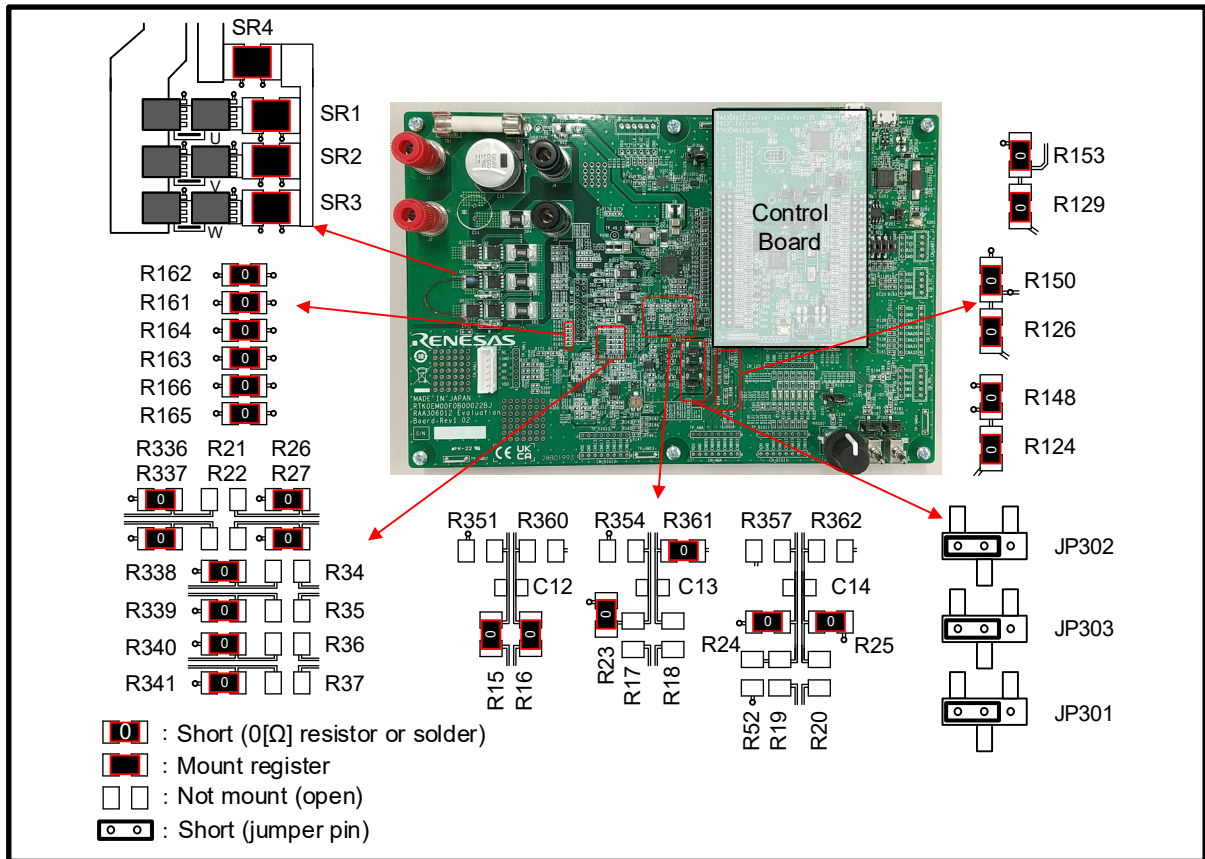


### 3.4.2 Board Settings

In the 120-degree conducting control using Hall sensors, the motor position is detected by the external Hall sensors and the Hall signals are input to the general-purpose comparators of the smart gate driver.

Align the board connection settings on the Evaluation Board with **Figure 3-17**.

For details on the circuit diagram of the Evaluation Board, refer to the **Schematic (R12TU0221EJ)**.



**Figure 3-17 Board Connection Settings (120-degree Conducting Control Using Hall Sensors)**

### 3.4.3 Operation Guide

#### 3.4.3.1 Connections

Follow the procedures below to build the evaluation environment.

- a. Connect the RL78/G1F Control Board with 120-degree conducting control using Hall sensors FW written on it to the Evaluation Board.
- b. Connect the Evaluation Board and the motor U, V, W, and Hall by the attached cable. (Sensorless 120-degree conducting control requires the connections of Hall signals.)
- c. Connect the power source and the Evaluation Board. (Do not supply power at this time.)

The RAA306012 RSSK includes a ferrite core to comply with the EMC Directive. Please use the ferrite core with 2 turns as necessary.

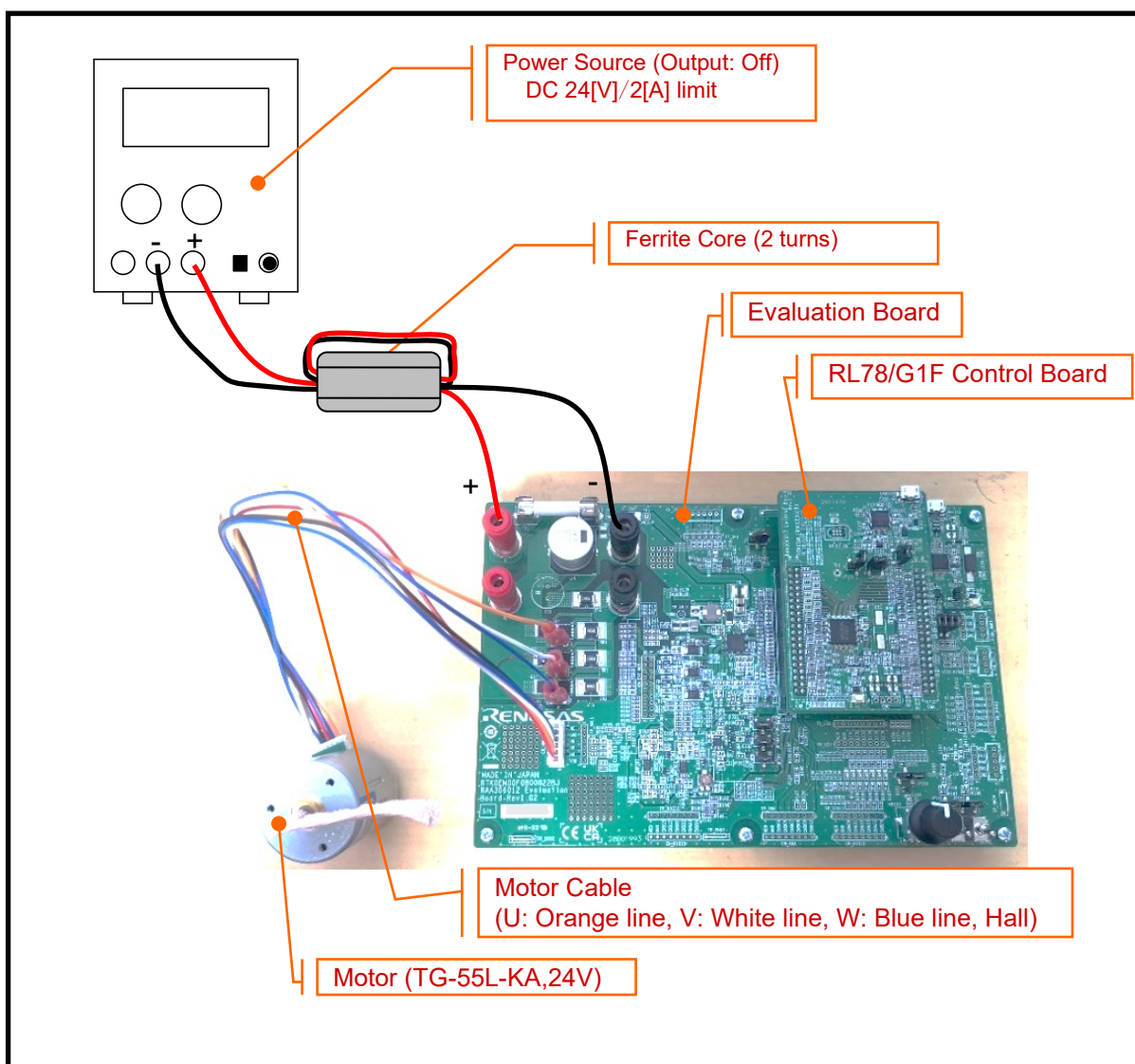


Figure 3-18 Connections for Evaluation Environment



### 3.4.3.2 Initial Setting

Set the toggle switches (SW101, SW102) to Low and set the potentiometer (VR101) to center. (The state in which the knob mark is directly above the knob is called center. The potentiometer used on this board has a pivot point in the center position.)

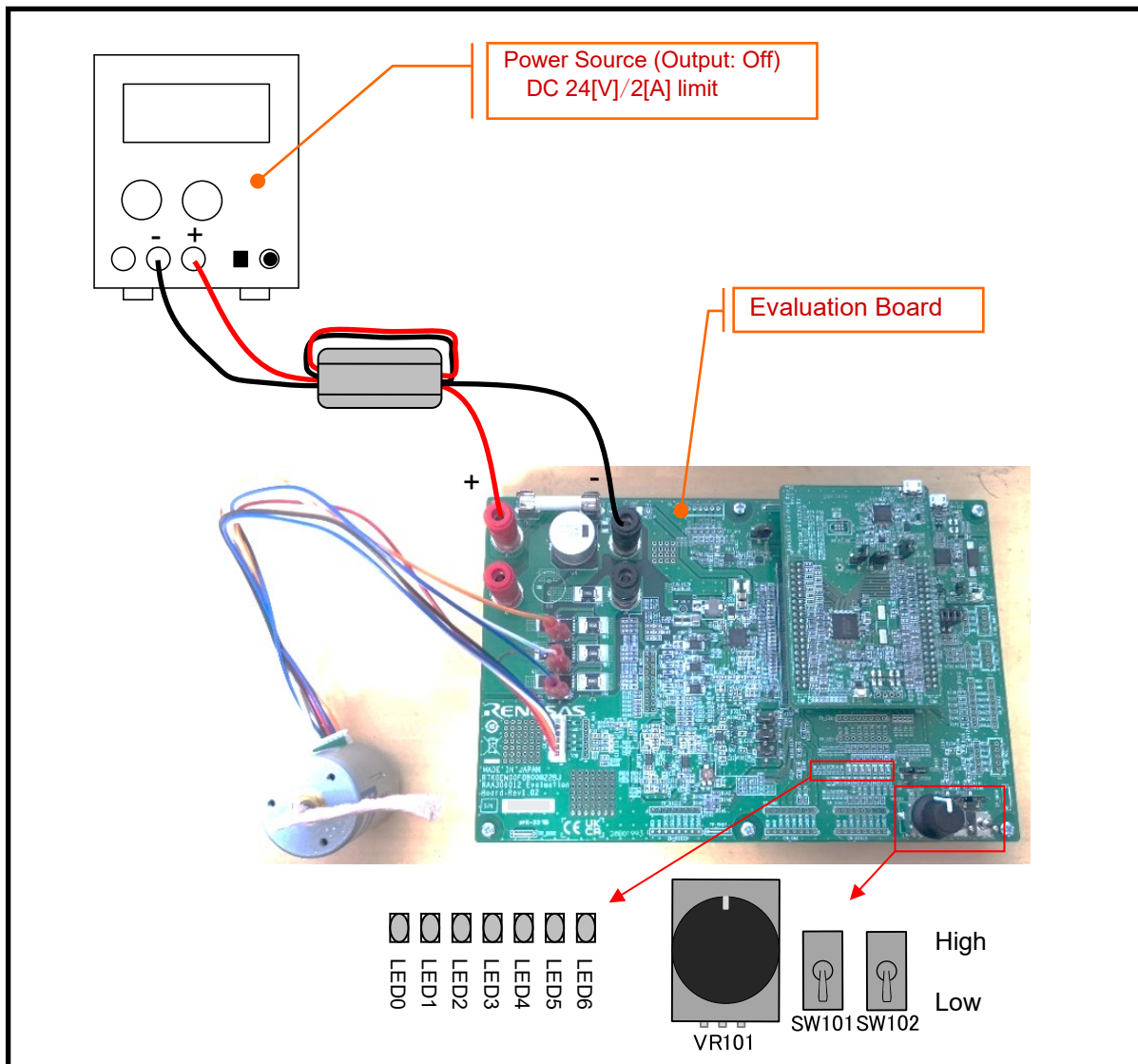


Figure 3-19 Initial Settings for Evaluation Board

### 3.4.3.3 Power Supply

Supply DC 24[V] to Evaluation Board by connecting the power source.

LED0 lights up when power is supplied.

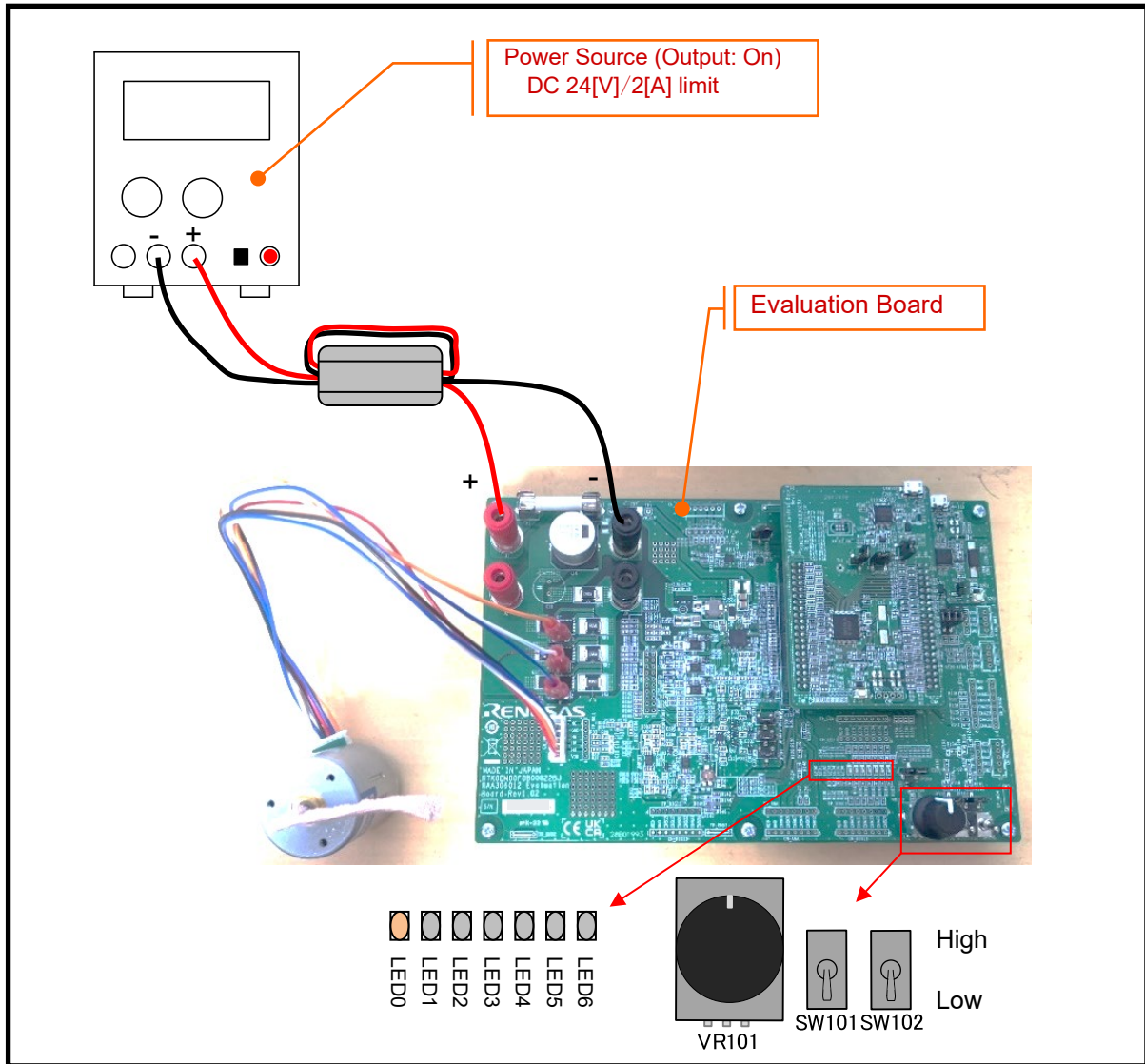


Figure 3-20 Power Supply

### 3.4.3.4 Motor Operation

Set SW101 to High and turn the potentiometer (VR101).

The motor rotates in the direction in which the potentiometer (VR101) is turned, according to the amount of turning. The LEDs light up according to the control.

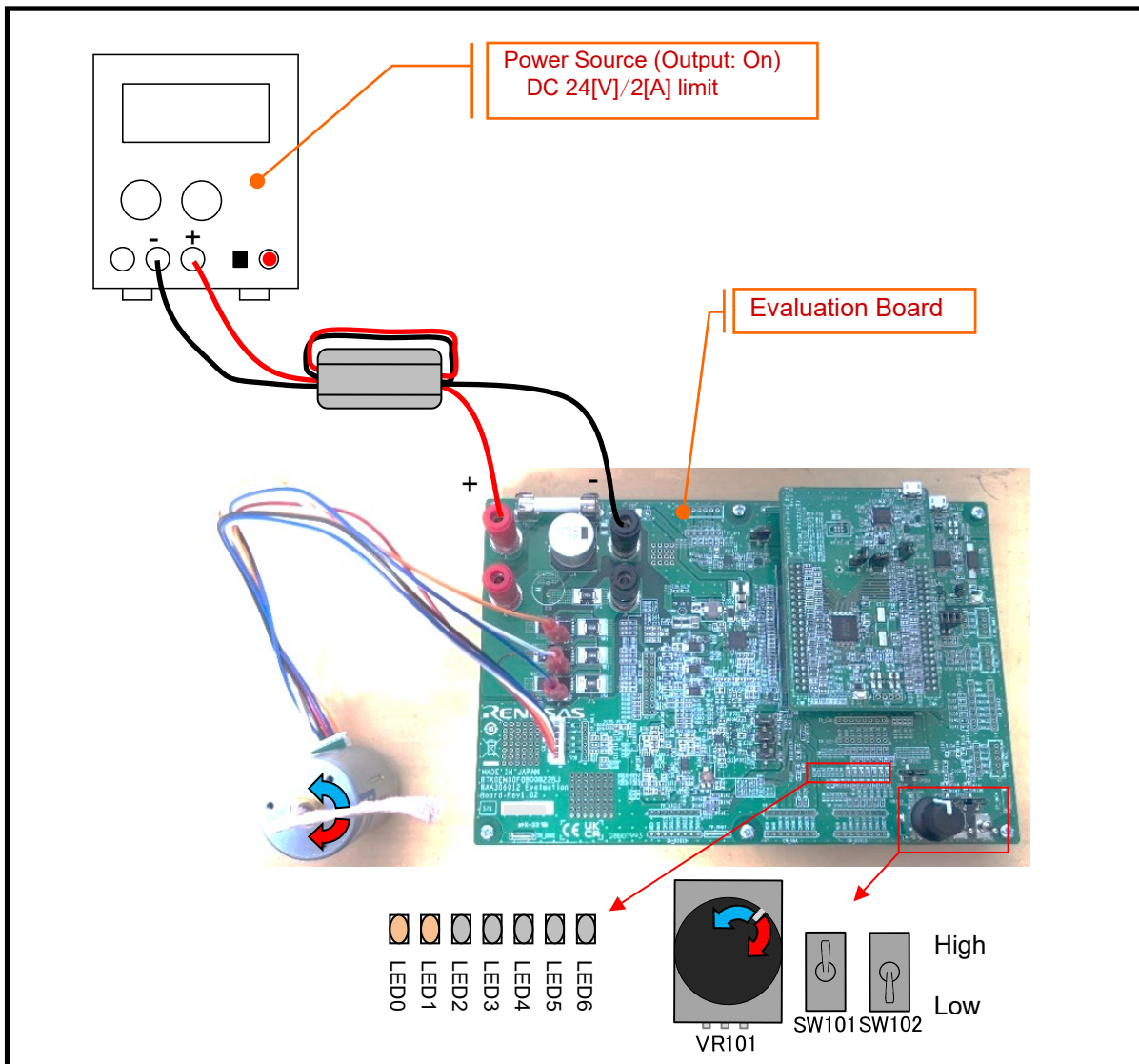


Figure 3-21 Motor Operation

### 3.4.3.5 Stop Motor Operation

To stop the motor, return the potentiometer (VR101) to the center and set SW101 to Low.

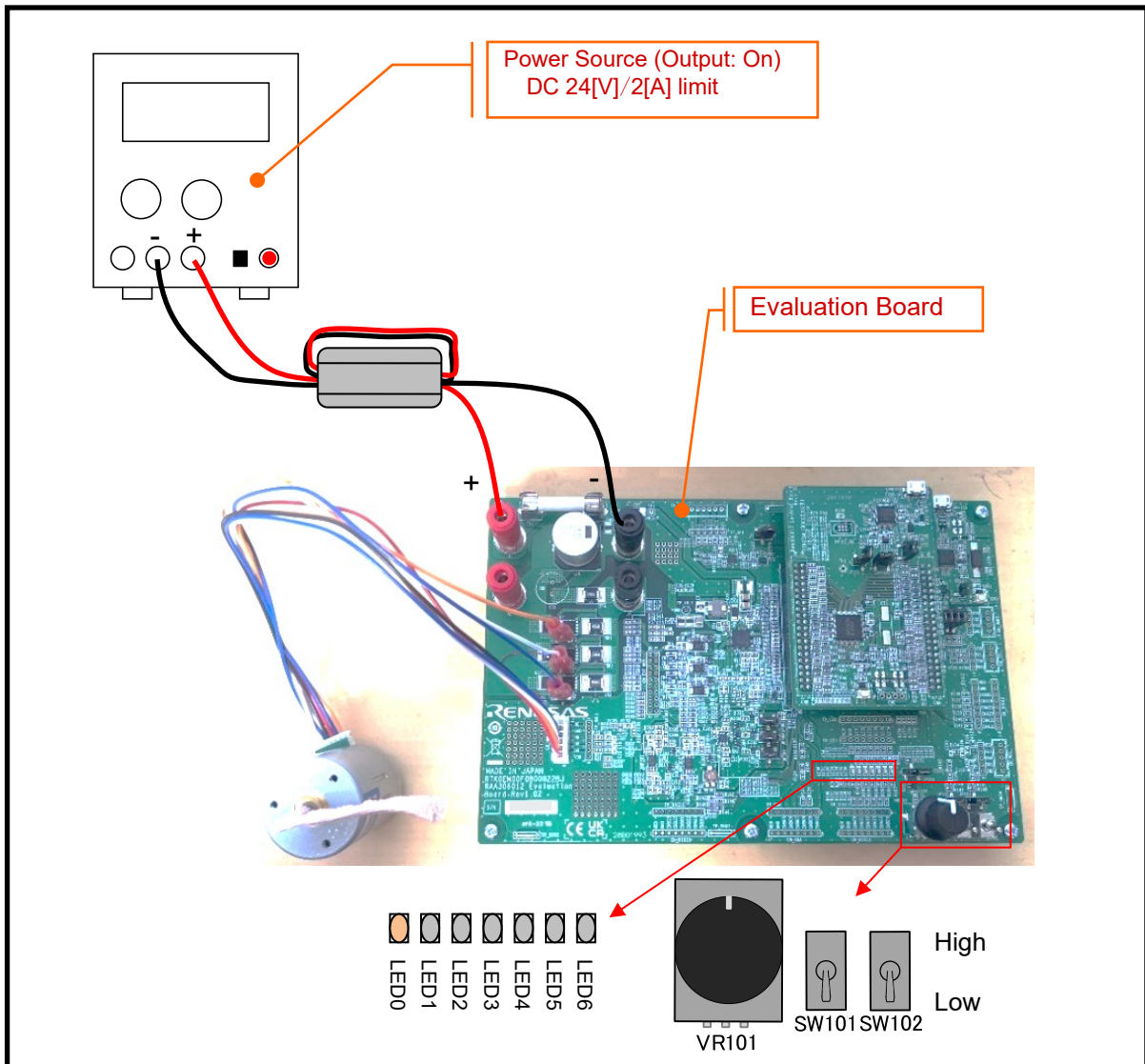


Figure 3-22 Stop Motor Operation

### 3.4.3.6 Stop Power Supply

Stop the power supply.

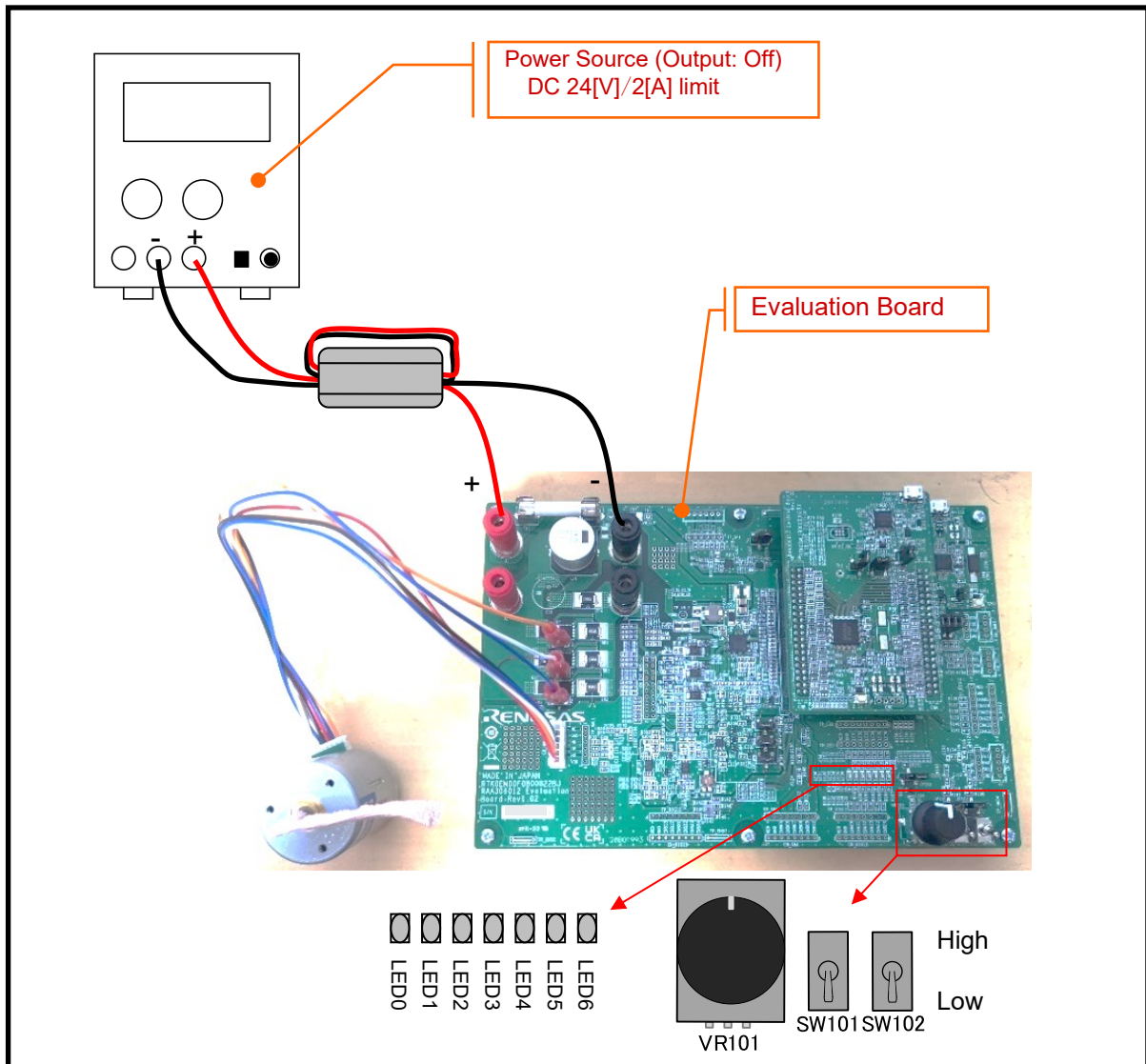


Figure 3-23 Stop Power Supply



## Chapter 4. Peripheral Circuits

### 4.1 Power Supply Circuit

#### 4.1.1 Main Power Supply (VM, VBRIDGE)

The Evaluation Board operates by supplying a single power supply of 6 to 48[V] between the J1 (VM, VBRIDGE connection terminal) and J4 (GND connection terminal). <sup>Note.1</sup> When using a motor other than the attached motor, refer to **4.3.4 Motor** and supply the voltage according to the motor within the operating range of RAA306012. In addition, a fuse is mounted between TB1 and TB2 of Evaluation Board. Replace the fuse capacity according to the motor drive current. When using external MOSFET board and shunt resistor mounted on the Evaluation Board, refer to **4.3.1.1 MOSFET** and connect the external MOSFET board power and GND to J2 and J3 respectively.

Note.1: When using the attached motor, 24[V] ± 10[%] should be supplied.

#### 4.1.2 Gate Drive Power Supply (VDRV, VCP)

The gate drive power supply (VDRV, VCP) of Evaluation Board is generated by the buck switching regulator and charge pump of the smart gate driver.

The output voltage of the low-side gate drive power supply (VDRV) can be adjusted from 5[V] to 15[V] by the bleeder ratio (R2 / R3) of the external feedback resistors shown in **Figure 4-1**. These resistances on the Evaluation Board are R2 = 48.7[kΩ] and R3 = 3.48[kΩ], so the VDRV output voltage is 12[V]. For details of the components for buck switching regulator, refer to **4.1.3** in the **"RAA306012 Application Notes: Hardware (R18AN0067EJ)"**.

The output voltage of the high-side gate drive power supply (VCP) is main power supply (VBRIDGE) + VDRV [V]. For details on the components for charge pump output capacitor (C9), pumping capacitor (C4), refer to **4.1.4** in the **"RAA306012 Application Notes: Hardware (R18AN0067EJ)"**.

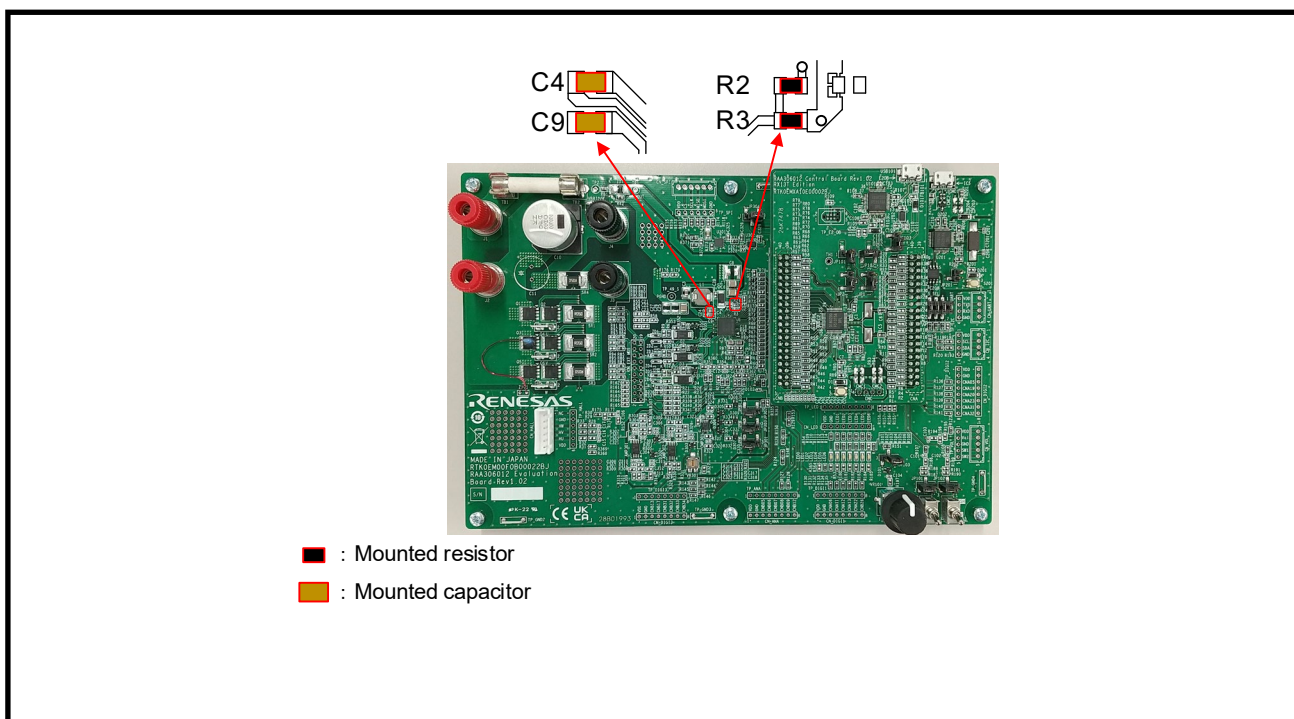


Figure 4-1 Gate Drive Power Supply Components

4.1.3 Peripheral Circuit Power Supply (VDD(3.3[V]) or VCC(5.0[V]))

The power supply for the peripheral circuits on the Evaluation Board can be selected from VDD pin (3.3[V]) or VCC pin (5.0[V]) of the smart gate driver by the 0[Ω] resistors connection. The power supply for some peripheral circuits (Current Sense (External), Halls, LEDs, RMWB(ICS)) can be also selected from U301 (5.0[V]) or U302 (3.3[V]) by JP304 and 0[Ω] resistors (R335, R363, R364, R365, R366, R367, R368, R369). In the default settings of the Evaluation Board, R97 and R98 are not mounted, so the VDD pin (3.3[V]) is selected, and 2-3 of JP304 are shorted to select U302 (3.3[V]). When selecting the VCC pin (5.0[V]) as the power supply for the peripheral circuits, mount 0[Ω] resistors to R97 and R98 shown in **Figure 4-2**. Also, connect 1-2 of JP304 to select U301 (5.0[V]).

The output voltage (V<sub>DD</sub>) can be fine-tuned within the recommended operating conditions by adjusting the bleeder ratio (R4 / R5) of the external feedback resistors shown in **Figure 4-2**. These resistances on the Evaluation Board are R4 = 160[kΩ] and R5 = 91[kΩ], so the output voltage of the VDD pin is 3.310[V]. For details of VDD pin and VCC pin, refer to 4.1.2 in the **"RAA306012 Application Notes: Hardware (R18AN0067EJ)"**.

When changing the Peripheral Circuit Power Supply on the Evaluation Board, it is necessary to change the operating voltage of the E2OB circuit on the Control Board as well. The voltage settings of the E2OB circuit on the Control Board can be changed by changing the JP102 settings. To use 5.0[V], connect 1-2 of JP102 and to use 3.3[V], connect 2-3 of JP102. The power supply settings for the E2OB circuit on the Control Board with JP102 are shown in **Figure 4-3**.

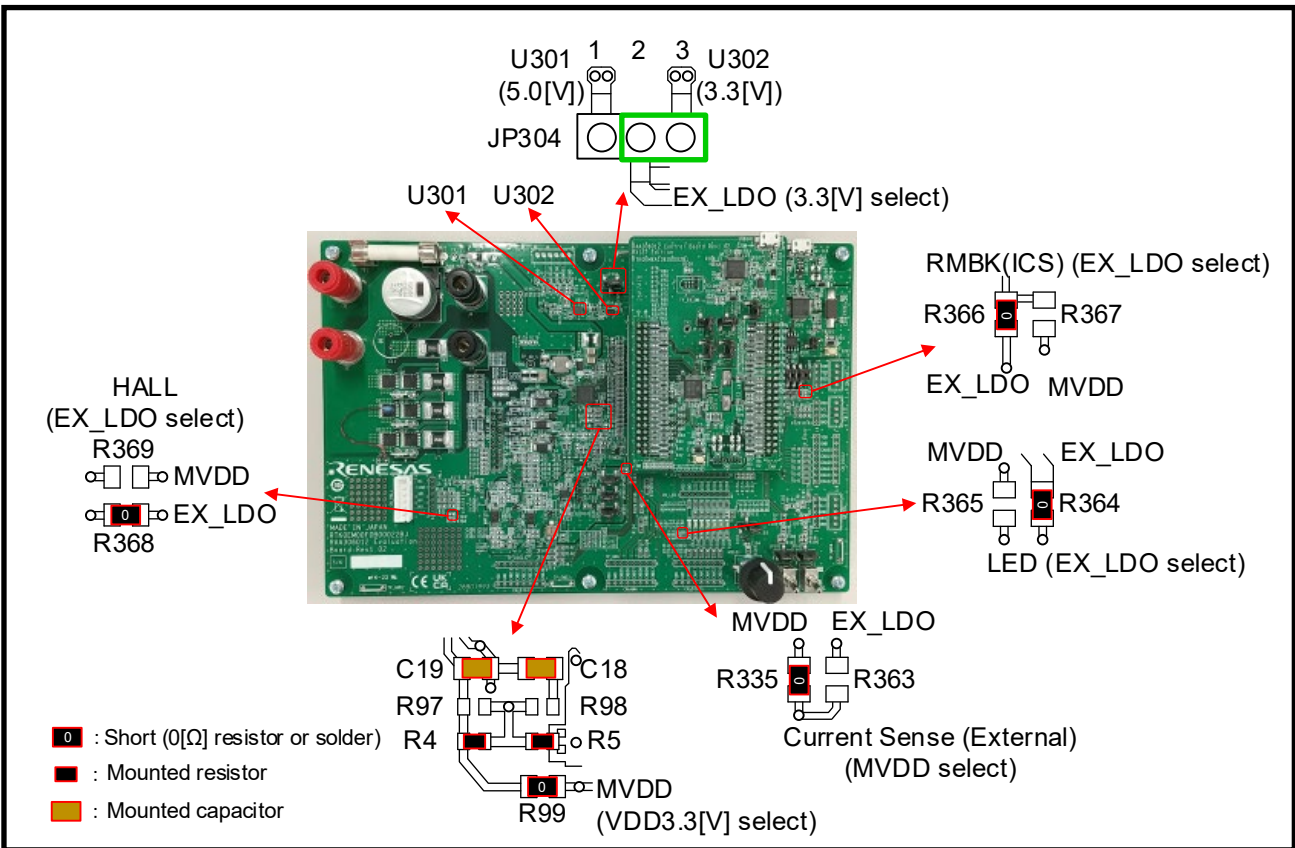


Figure 4-2 Peripheral Circuit Power Supply Components for Evaluation Board (VDD(3.3[V]) or VCC(5.0[V]))



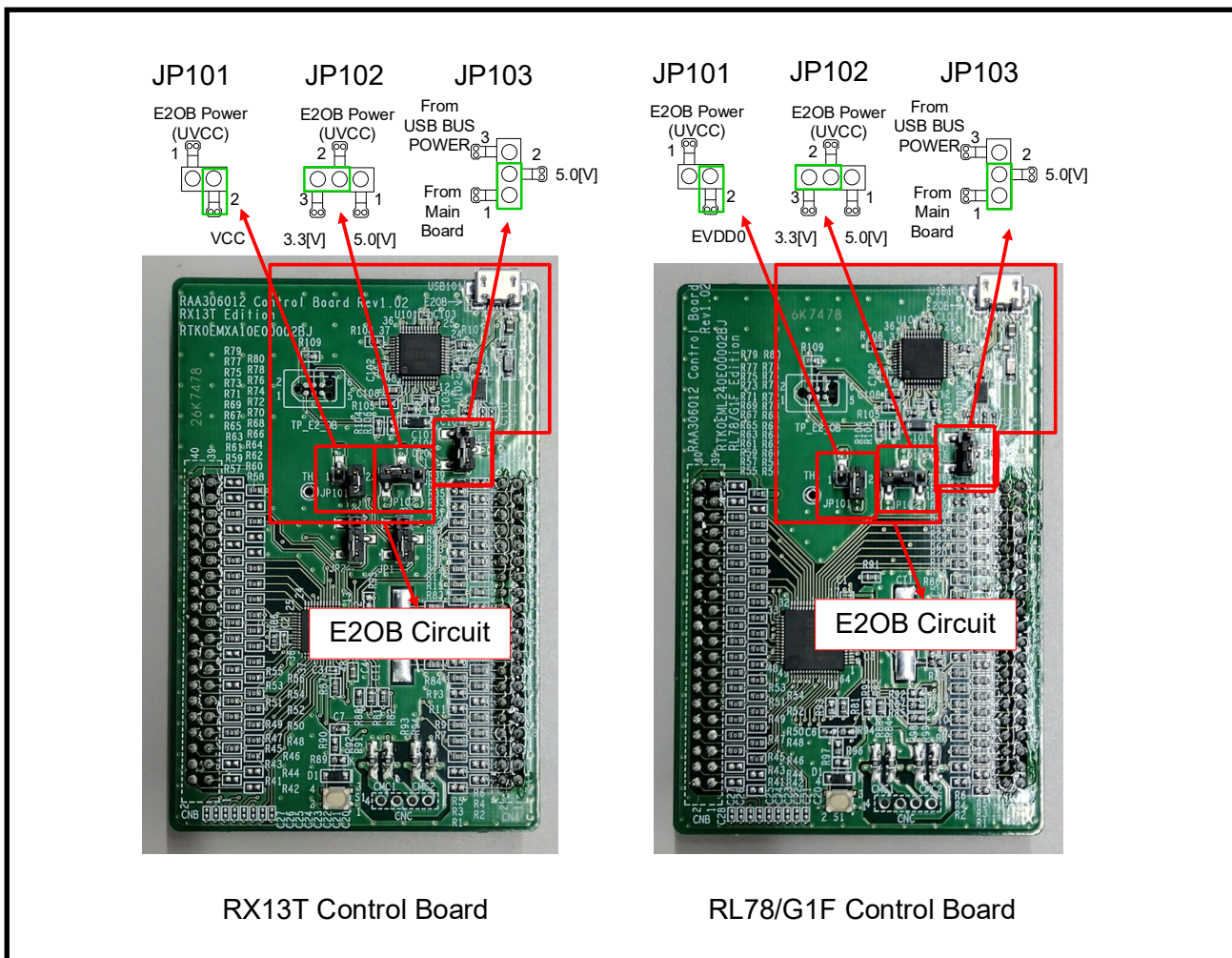


Figure 4-3 E2OB Power Supply (UVCC) Components for Control Board (3.3[V] or 5.0[V])

## 4.2 Reset Circuit

The Evaluation Board has a reset circuit for power-on reset and external reset of the MCU. To apply an external reset to the MCU, press the reset switch (S1) on the Control Board. Refer to **Figure 2-7** or **Figure 2-10**.

### 4.3 Motor Drive Circuit

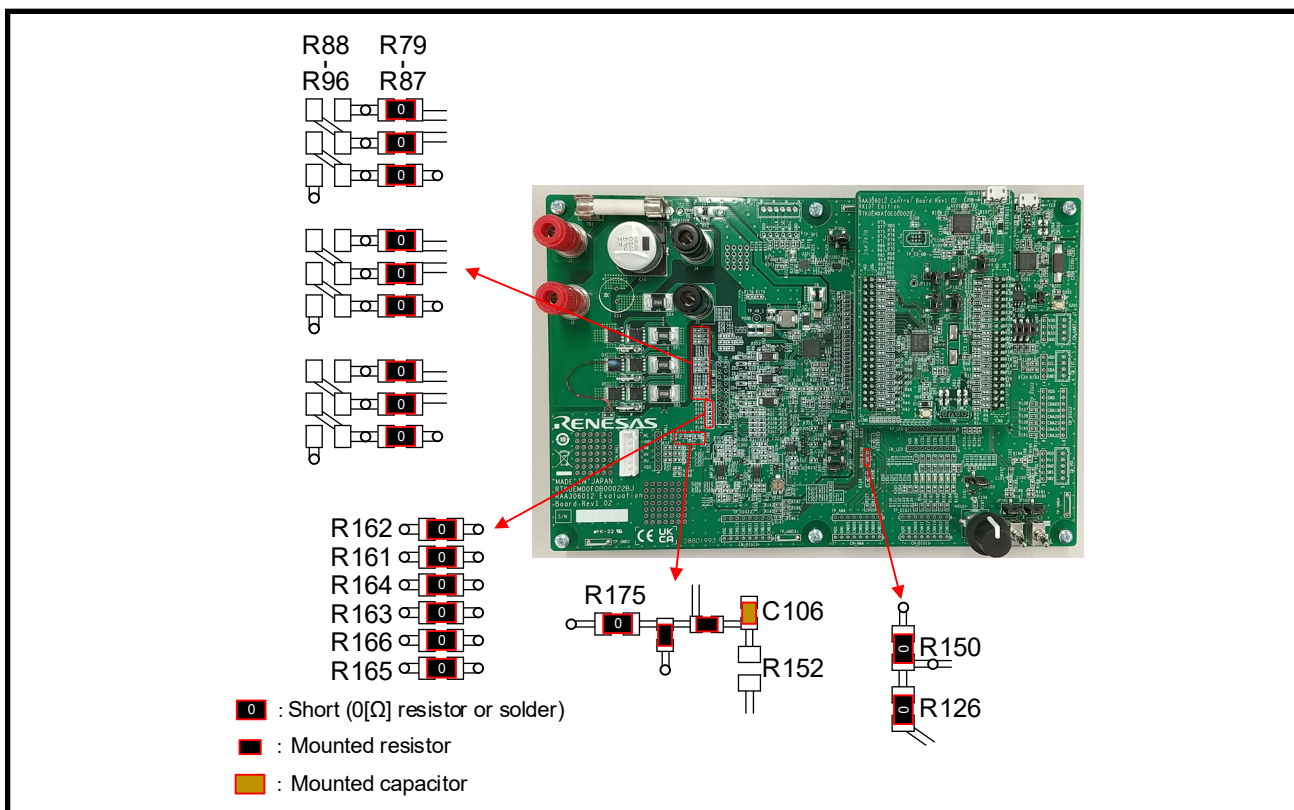
The Evaluation Board has MOSFETs, shunt resistors, and a thermistor for the MOSFET as a motor drive circuit. Also, it is possible to connect the external MOSFET board to CN\_EXT\_MOS (external MOSFET connector). In order to switch the motor drive circuit, it is necessary to change the mount setting of 0[Ω] resistors. **Table 4-1** shows the mount setting of 0[Ω] resistors to switch the motor drive circuit and the information of CN\_EXT\_MOS connector.

**Table 4-1 The Motor Drive Function According to The Mount Setting of 0[Ω] Resistors**

Function Selection	Mount Setting	Function
Phase current sense	R161~R166 mount (default setting)	Shunt resistors (SR1, SR2, SR3) on the Evaluation Board are selected.
	R161~R166 unmount	CN_EXT_MOS Shunt resistors (UIP, UIN, VIP, VIN, WIP, WIN) are selected.
Thermistor for MOSFET <small>Note.1</small>	R150 mount, R152 unmount, R175 mount (default setting)	Thermistor on the Evaluation Board is unselected. (IW current sense is selected.)
	R150 unmount, R152 mount, R175 mount	Thermistor on the Evaluation Board is selected.
	R150 unmount, R152 mount, R175 unmount	CN_EXT_MOS terminal (TH) is selected.
MOSFET	R79~R87 mount, R88~R96 unmount (default setting)	MOSFETs on the Evaluation Board are selected. <small>Note.2</small>
	R79~R87 unmount, R88~R96 mount	External MOSFETs are selected (MOSFETs on the Evaluation Board are unselected.)

Note.1: The MOSFET temperature measurement function by the thermistor is not supported by the sample program. When using the thermistor, please change the program by user.

Note.2: Even if the MOSFETs on the Evaluation Board are selected, the connection of the MOSFET pin of CN\_EXT\_MOS is valid. DO NOT connect external MOSFETs to the CN\_EXT\_MOS connector on this mou



**Figure 4-4 Motor Drive Circuit Function Selection Resistors (Factory Default)**

Table 4-2 External MOSFET Connector (CN\_EXT\_MOS) Pin Assignment

Connector	Terminal No.	Terminal Function (RAA306012)	Connection Terminal	RL78/G1F Port	RX13T Port
CN_EXT_MOS	1	WIN (DA3N)	CNB07 (IW), CNB09 (DA3O)	P23/ANI3 (IW), P25/ANI5 (DA3O)	P42/AN002 (IW), P44/AN004 (DA3O)
	2	WIP (DA3P)	CNB07 (IW), CNB09 (DA3O)	P23/ANI3 (IW), P25/ANI5 (DA3O)	P42/AN002 (IW), P44/AN004 (DA3O)
	3	VIN (DA2N)	CNB12 (IV), CNB10 (DA2O)	P24/ANI4 (IV), P26/ANI6 (DA2O)	P45/AN005 (IV)
	4	VIP (DA2P)	CNB12 (IV), CNB10 (DA2O)	P24/ANI4 (IV), P26/ANI6 (DA2O)	P45/AN005 (IV)
	5	UIN (DA1N)	CNB05 (IU), CNB11 (DA1O)	P20/ANI0 (IU), P27/ANI7 (DA1O)	P40/AN000 (IU), P46/AN006 (DA1O)
	6	UIP (DA1P)	CNB05 (IU), CNB11 (DA1O)	P20/ANI0 (IU), P27/ANI7 (DA1O)	P40/AN000 (IU), P46/AN006 (DA1O)
	7	TH	CNB07	P22/ANI2	P42/AN002
	8	AGND	CNA25/CNA26	VSS/EVSS	VSS/AVSS
	9	WL (LOC)	GDSELC register setting value	P10/TRDIOD1	P76/MTIOC4D
	10	NC	NC	NC	NC
	11	WH (HOC)	GDSELC register setting value	P12/TRDIOB1	P73/MTIOC4B
	12	W (HSC)	NC	NC	NC
	13	VL (LOB)	GDSELB register setting value	P11/TRDIOC1	P75/MTIOC4C
	14	NC	NC	NC	NC
	15	VH (HOB)	GDSELB register setting value	P13/TRDIOA1	P72/MTIOC4A
	16	V (HSB)	NC	NC	NC
	17	UL (LOA)	GDSELA register setting value	P14/TRDIOD0	P74/MTIOC3D
	18	NC	NC	NC	NC
	19	UH (HOA)	GDSELA register setting value	P15/TRDIOB0	P71/MTIOC3B
	20	U (HSA)	NC	NC	NC

### 4.3.1 Half-Bridges

The Evaluation Board has inverter control circuit consisting of six MOSFETs for motor control. The MCU controls the MOSFETs through RAA306012 by using six timer output functions. In addition, the bus voltage signals, U, V, W phase voltage signals, and shunt current signals can be input from the inverter control circuit to the A/D converter input port of the MCU on the Evaluation Board to measure these signals. For details of the current sense and voltage detection, refer to **4.3.2.2 Current Sense (External)**, **4.3.2.4 Bus Voltage Detection**, and **4.3.2.5 Phase Voltage Detection**.

The Evaluation Board also has a protection circuit for the shunt overcurrent. For details, refer to **4.3.1.2 Protection Circuits**. **Figure 4-4** shows the inverter control circuit. In the actual circuit, the signals to the A/D converter input ports are input through voltage dividers, or amplifiers, etc. For details, refer to the circuit diagram of the Evaluation Board.

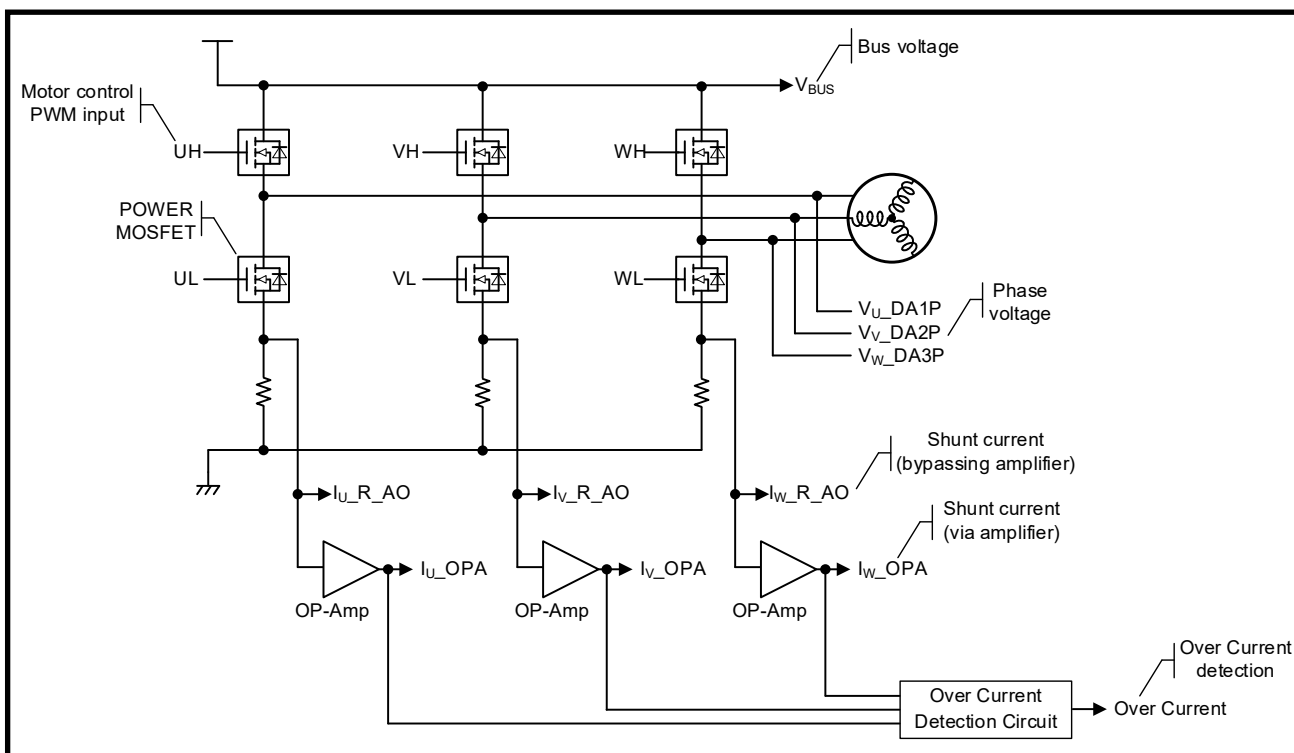


Figure 4-5 Inverter Control Circuit

### 4.3.1.1 MOSFET

The Evaluation Board has MOSFETs for the motor drive. It is also possible to connect external MOSFET board to CN\_EXT\_MOS (external MOSFET connector). The default setting of Evaluation Board has a 0[Ω] resistors mounted on the MOSFET connection selection resistors (R79-R87), so the MOSFET mounted on the Evaluation Board is enabled. In this configuration, the connection of external MOSFET board to CN\_EXT\_MOS is prohibited. When connecting external MOSFET board, remove the MOSFET connection selection resistors (R79-R87) and mount 0[Ω] resistors to the MOSFET connection selection resistors (R88-R96). By mounting 0[Ω] resistors in the MOSFET connection selection resistors (R88-R96), the gate and source of the MOSFET mounted on the Evaluation Board are connected to the PGND to prevent the penetration breakdown.

Note: Depending on the motor, control method and main power supply voltage, the MOSFETs mounted on the Evaluation Board may be damaged by exceeding the absolute maximum rating. In this case, consider replacing the MOSFETs or using an external MOSFET board.

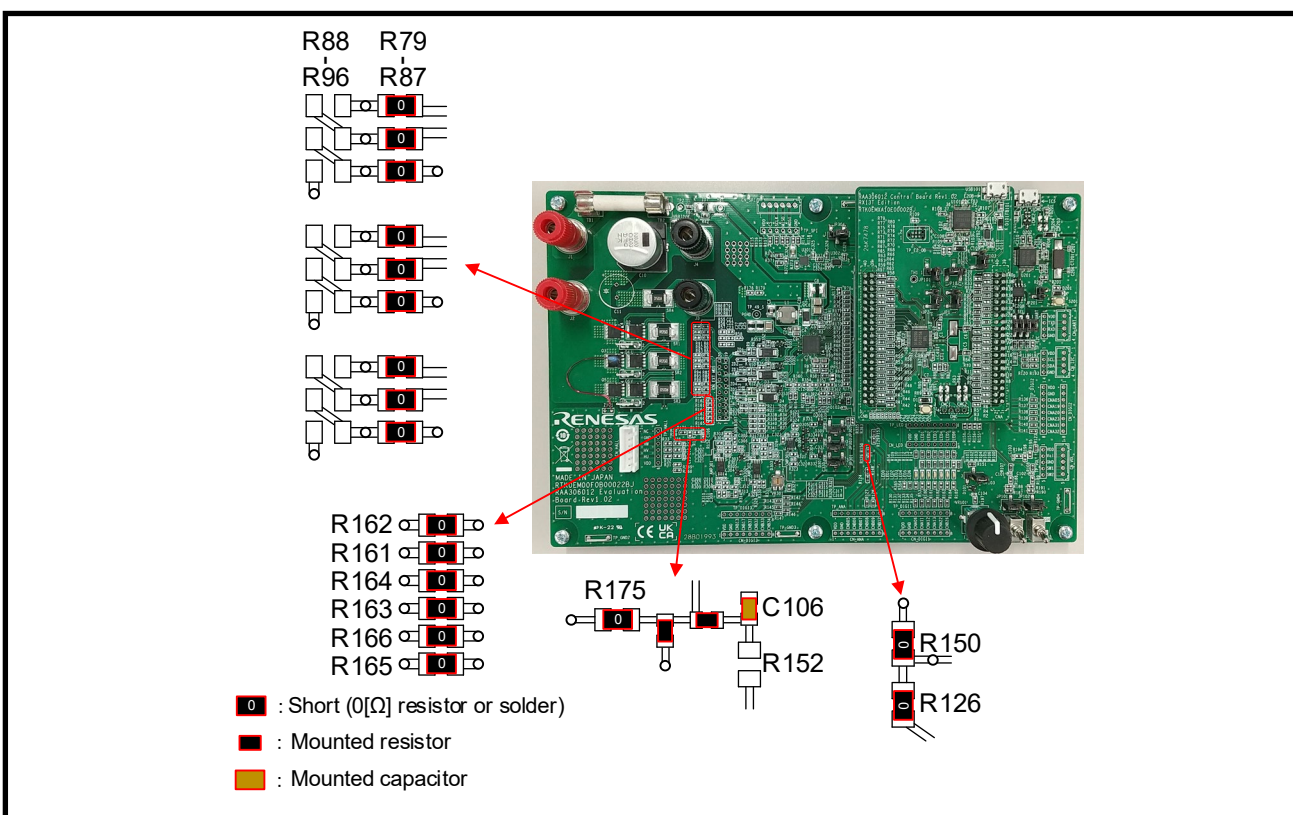


Figure 4-6 Motor Drive Circuit Function Selection Resistors (Factory Default)

4.3.1.2 Protection Circuits

The Evaluation Board has a protection circuit that detects overcurrent from the U, V, and W phase shunt currents. The overcurrent detection circuit judges that an overcurrent state has occurred when any among the U, V, and W phase currents exceeds the threshold. The threshold can be adjusted by variable resistor VR301. The overcurrent detection signal OC# is High when the shunt current value is within the threshold range and Low when an overcurrent is detected. Therefore, as long as the MOSFETs and RAA306012 are not broken, the Evaluation Board and the motor are protectable by monitoring the overcurrent detection signal OC# and forcing the timer output port into Low to make the MOSFET turn off. The overcurrent detection circuit does not provide direct protection of the Evaluation Board and the motor. It is necessary to perform appropriate processing on the MCU and/or use the protection function of RAA306012, to provide protection.

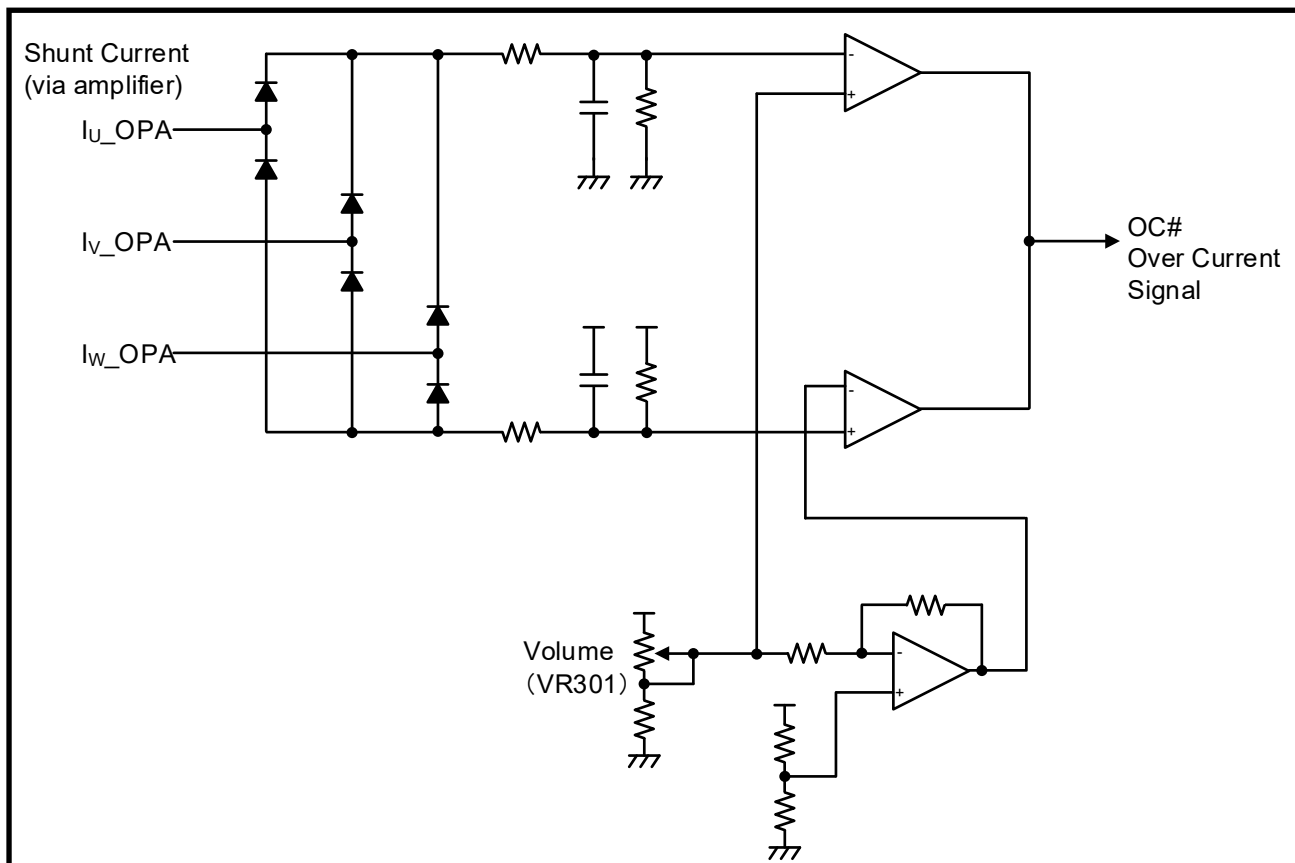


Figure 4-7 Overcurrent Detection Circuit



4.3.2 Sense Circuits

4.3.2.1 Current Sense (Internal)

This Evaluation Board is also available to detect the U, V, and W phase currents by connecting the U, V, and W phase shunt resistors to the RAA306012's built-in differential amplifiers. The differential amplifiers are disabled in the sample program. When using the built-in differential amplifier for the motor current sense, refer to **Figure 4-7** to mount and remove 0[Ω] resistors, and change the smart gate driver register settings. The relation between the phase current ( $I_{in}$ ) flow to the shunt resistor ( $R_s$ ) and the voltage input to the MCU ( $V_{out}$ ) is expressed by **EQ 4-1**. For details of the shunt resistors and differential amplifier gain, refer to **4.1.6** in the "**RAA306012 Application Notes: Hardware (R18AN0067EJ)**".

EQ 4-1

$$V_{out}[V] = I_{in}[A] \times R_s[\Omega] \times Gain[V/V] + \left(\frac{VDD[V]}{2}\right)$$

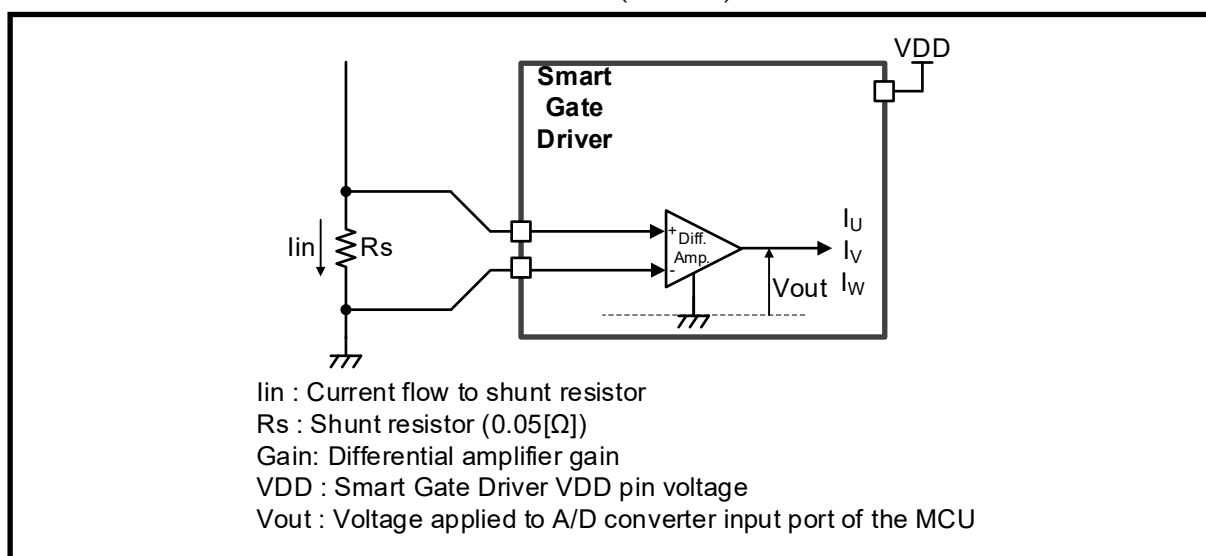


Figure 4-8 Current Sense Circuits (Internal)



4.3.2.2 Current Sense (External)

The Evaluation Board has current sense circuits including shunt resistors to detect the U, V, and W phase currents. The current sense circuits the voltage drop resulting from the current flow to the shunt resistor, and the result is input to the MCU. The relation between the phase current ( $I_{in}$ ) flow to the shunt resistor ( $R_s$ ) and the voltage input to the MCU ( $V_{out}$ ) is expressed by **EQ 4-2**.

**EQ 4-2**

$$V_{out}[V] = I_{in}[A] \times R_s[\Omega] \times 5 + \left( \frac{AMP\_VCC[V]}{2} \right)$$

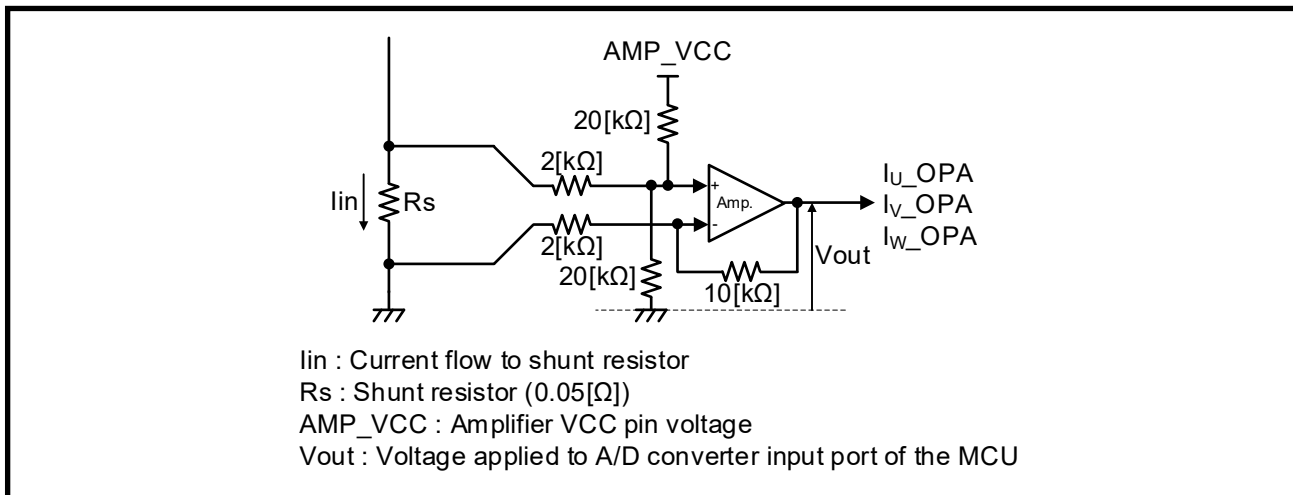


Figure 4-9 Current Sense Circuits (External)

The Evaluation Board has jumpers to input from the shunt resistors to the MCU directly by bypassing amplifiers. When using these inputs, change the jumper JP301, JP302, and JP303 on the Evaluation Board to the appropriate connections.

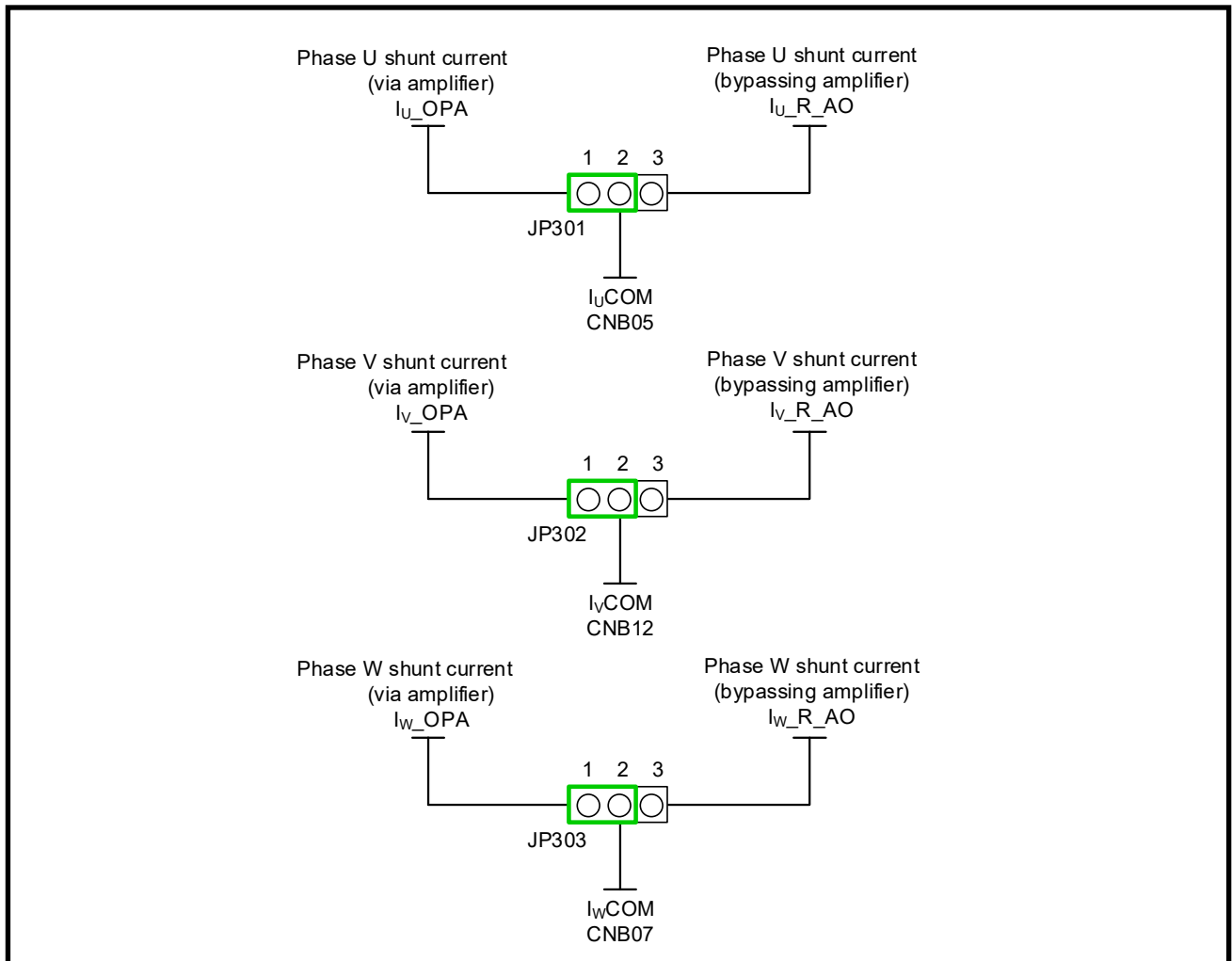


Figure 4-10 Current Sense Circuits (External) Function Selection Jumper

### 4.3.2.3 Hall Input

The Evaluation Board has a Hall sensor signal input connector (CN\_HALL) with 3.3[V] or 5[V] pull-up resistors. The Hall sensor of the attached motor can be connected to the Hall sensor signal input connector (CN\_HALL). Hall sensor signals are input to the MCU through RC filters and RAA306012.

**Table 4-3 Hall Sensor Connector (CN\_HALL) Pin Assignment**

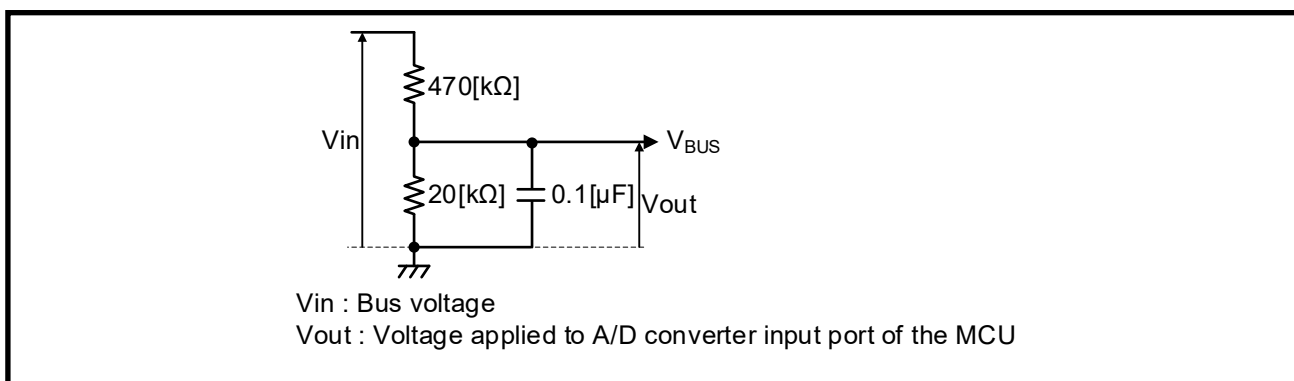
Connector	Terminal No.	Terminal Function (RAA306012)	Connection Terminal	RL78/G1F Port	RX13T Port
CN_HALL	1	NC	NC	NC	NC
	2	GND	CNA25/CNA26	VSS/EVSS	VSS/AVSS
	3	HW (DA3P)	CNB14 (CMP3O)	P53/INTP2	P22/IRQ2
	4	HV (DA2P)	CNB15 (CMP2O)	P54/INTP3	P23/IRQ4
	5	HU (DA3N)	CNB16 (CMP1O)	P55/INTP4	P24/IRQ3
	6	VDD	CNA27/CNA28	VDD/EVDD	VCC/AVCC

### 4.3.2.4 Bus Voltage Detection

The Evaluation Board has a voltage divider circuit to input the bus voltage to the A/D converter input port of the MCU. The relation between the bus voltage and detection voltage is expressed by **EQ 4-3**.

**EQ 4-3**

$$V_{out}[V] = \frac{20 \times 10^3}{(470 \times 10^3 + 20 \times 10^3)} \times V_{in}[V]$$



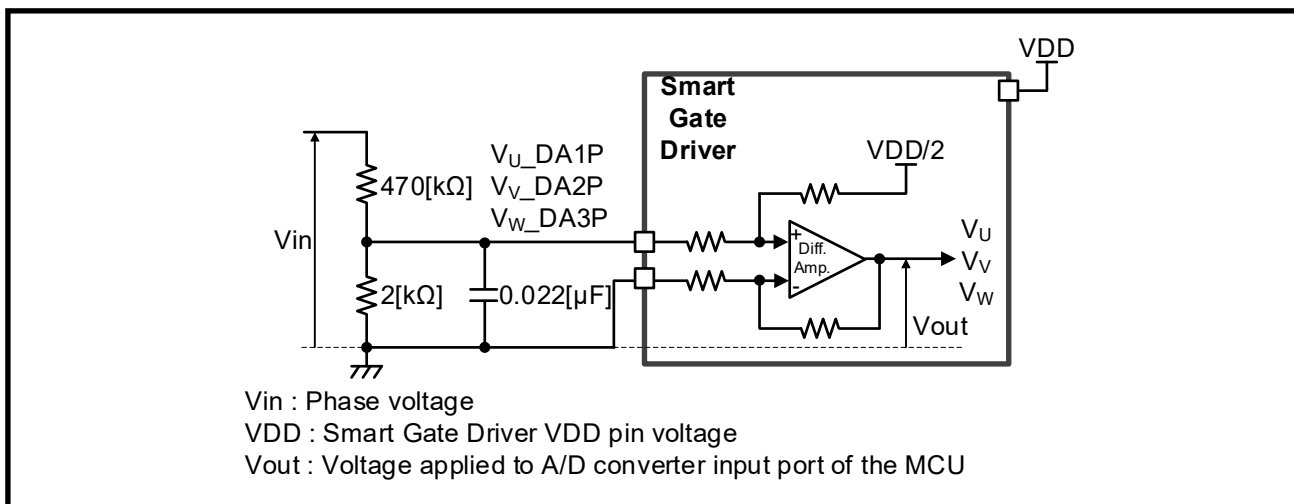
**Figure 4-11 Bus Voltage Detection Circuit**

### 4.3.2.5 Phase Voltage Detection

The Evaluation Board has a voltage divider circuit to input the phase voltages (U, V, and W phase) to the A/D converter input port of the MCU through the built-in differential amplifier of RAA306012. The relation between the phase voltages and detection voltage is expressed by **EQ 4-4**.

**EQ 4-4**

$$V_{out}[V] = (0.5803 * VDD[V]) + 0.0205 * V_{in}[V]$$



**Figure 4-12 Phase Voltage Detection Circuit**

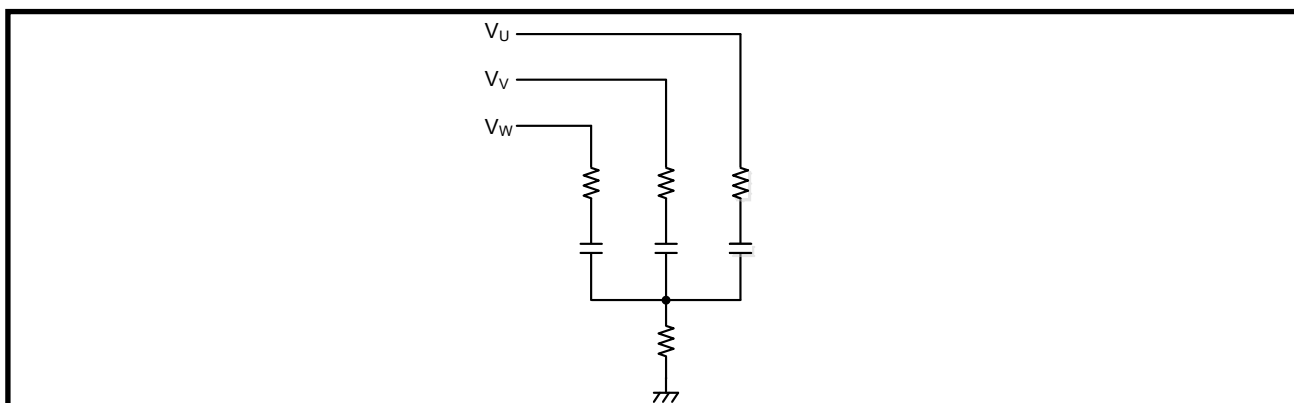
### 4.3.2.6 Thermistor for MOSFET

The Evaluation Board has a thermistor (Z101) for MOSFET temperature measurement. However, R150 and R175 are mounted and R152 is not mounted in the Evaluation Board default settings, so a MOSFET thermistor (Z101) or an external thermistor cannot be used. When using a thermistor for MOSFET, remove R150 and mount a 0[Ω] resistor to R152 to connect the thermistor (Z101) on the board to CNB07. <sup>Note.1</sup> When using an external thermistor, remove R150 and R175 and mount a 0[Ω] resistor to R152 to allow the external thermistor connected to TH (Pin 7) of CN\_EXT\_MOS to be connected to CNB07.

Note.1: The MOSFET temperature measurement function by the thermistor is not supported by the sample program. When using a thermistor, please change the program by user.

### 4.3.3 Spare Circuit

The Evaluation Board has a PAD on which parts can be mounted as a spare circuit. If strong ringing occurs in the BEMF waveform, it is recommended to implement a snubber circuit if necessary.



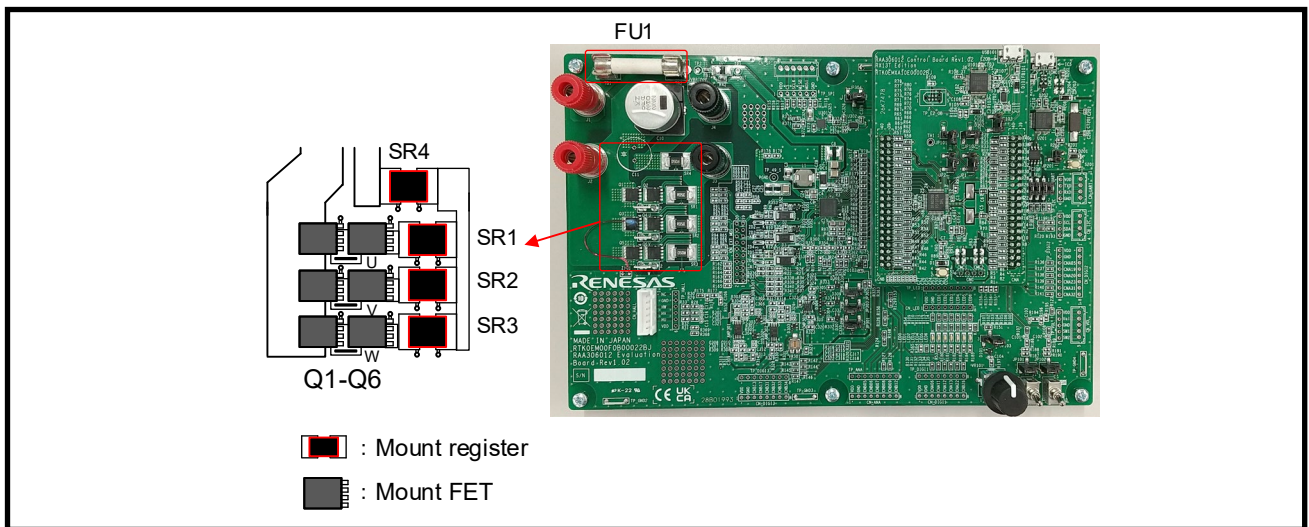
**Figure 4-13 Spare Circuit**

### 4.3.4 Motor

The Evaluation Board and sample program are set according to the attached motor. When using a motor other than the attached motor, it may be necessary to change the setting parameters such as drive current settings and change the hardware.

The followings are the components that may need to be changed.

- Shunt resistors (SR1, SR2, SR3, SR4) -- Modified to fit the amount of motor phase current.  
Factory default: CRA2512-FZ-R050ELF (50[mΩ], 3[W])
- MOSFETs (Q1, Q2, Q3, Q4, Q5, Q6) -- Modified to fit the amount of motor phase current.  
Factory default: TPH12008NH (VDSS = 80[V], ID = 24[A], RDS(ON) = 10.1[mΩ])
- FUSE (FU1) -- change according to the amount of power supply current.  
Factory default: 486-7270-ND (30[A])



## 4.4 User Interface

### 4.4.1 Potentiometer (VR101) & Toggle Switches (SW101, SW102)

The Evaluation Board has a potentiometer (VR101) and toggle switches (SW101 and SW102). The potentiometer (VR101) is connected to the CNA21 and uses it to indicate the amount of rotation and direction of rotation. The toggle switch (SW101) is connected to the CNA21 and uses it to indicate the start/stop of rotation. Toggle switch (SW102) is connected to CNA33 and used it to reset errors.

The evaluation board also has a through-hole for external controller connector (CN\_VOL) and the test points for verification (TP\_VOL), allowing connection of trigger switches and other devices.

The jumper pins (JP103, JP101, JP102) allow you to select whether to use the potentiometer (VR101) and toggle switches (SW101, SW102) on the board or CN\_VOL.

If 1-2 of JP103 are shorted, the potentiometer (VR101) side is valid, and if 2-3 are shorted, the CN\_VOL side is valid.

If 2-3 of JP101 and JP102 are shorted, the toggle switch (SW101 and SW102) side is valid, and if 1-2 are shorted, the CN\_VOL side is valid.

**Table 4-4 Connector for CN\_VOL Connection (CN\_VOL) Pin Assignment**

Connector	Terminal No.	Terminal Function (RAA306012)	Connection Terminal	RL78/G1F Port	RX13T Port
CN_VOL	1	VDD	VDD	VDD/EVDD	VCC/AVCC
	2	Vol	CNB08	P23/ANI3	P43/AN003
	3	GND	GND	VSS/EVSS	VSS/AVSS
	4	SW1	CNA21	P137	PB5
	5	SW2	CNA33	P31	PB4

### 4.4.2 LED

The Evaluation Board has 7 LEDs, 6 of which can be used as the program debugging and system display. Each LED turns on when the output on the corresponding port is low-level and turns off when the output is high-level. The Evaluation Board also has through-holes for the CN\_LED connector and test points (TP\_LED) to confirm the MCU output.

**Table 4-5 LED Connector (CN\_LED) Pin Assignment**

Connector	Terminal No.	Terminal Function (RAA306012)	Connection Terminal	RL78/G1F Port	RX13T Port
CN_LED	1	VDD	CNA27/CNA28	VDD/EVDD	VCC/AVCC
	2	GND	CNA25/CNA26	VSS/EVSS	VSS/AVSS
	3	LED1	CNA09	P01	P10
	4	LED2	CNA10	P00	P11
	5	LED3	CNA14	P43	PD4
	6	LED4	CNA15	P42	P36
	7	LED5	CNA16	P41	P37
	8	LED6	CNA34	P77	PE2



### 4.4.3 SPI Connector

The Evaluation Board has through holes for CN\_SPI connector and test points (TP\_SPI) to confirm the SPI signals. The CN\_SPI connector is not used in the sample program.

**Table 4-6 SPI Connector (CN\_SPI) Pin Assignment**

Connector	Terminal No.	Terminal Function (RAA306012)	Connection Terminal	RL78/G1F Port	RX13T Port
CN_SPI	1	VDD	CNA27/CNA28	VDD/EVDD	VCC/AVCC
	2	CS	CNA35	P76/(INTP6)	PD6/(IRQ5)
	3	SCLK	CNA36	P75/SCK01	PB3/SCK5
	4	MISO	CNB35	P74/SI01	PB7/SMISO5
	5	MOSI	CNB36	P73/SO01	PB6/SMOSI5
	6	GND	CNA25/CNA26	VSS/EVSS	VSS/AVSS

### 4.4.4 I<sup>2</sup>C Connector

The Evaluation Board has through holes for CN\_I2C connector and test points (TP\_I2C) to confirm the I<sup>2</sup>C signals. The CN\_I2C connector is not used in the sample program.

**Table 4-7 I<sup>2</sup>C Connector (CN\_I2C) Pin Assignment**

Connector	Terminal No.	Terminal Function (RAA306012)	Connection Terminal	RL78/G1F Port	RX13T Port
CN_I2C	1	VDD	CNA27/CNA28	VDD/EVDD	VCC/AVCC
	2	SCL	CNA29	P60/SCLA0	PD5/RXD1/SMISO1/SSCL1
	3	SDA	CNA30	P61/SDAA0	PD3/TXD1/SMOSI1/SSDA1
	4	GND	CNA25/CNA26	VSS/EVSS	VSS/AVSS

### 4.4.5 UART Connector

The Evaluation Board has through holes for CN\_UART connector and test points (TP\_UART) to confirm the UART signals. The UART is also used for the connection circuit with the motor control development support tool Renesas Motor Workbench through ICS\_SEL jumpers, so when using the CN\_UART connector, change all ICS\_SEL jumpers to open. The CN\_UART connector is not used in the sample program.

**Table 4-8 UART Connector (CN\_UART) Pin Assignment**

Connector	Terminal No.	Terminal Function (RAA306012)	Connection Terminal	RL78/G1F Port	RX13T Port
CN_UART	1	VDD	CNA27/CNA28	VDD/EVDD	VCC/AVCC
	2	TXD	CNA08	P02/TxD1/SO10	PD3/TXD1/SMOSI1/SSDA1
	3	RXD	CNA09	P03/RxD1/SI10	PD5/RXD1/SMISO1/SSCL1
	4	GND	CNA25/CNA26	VSS/EVSS	VSS/AVSS

**4.4.6 General-purpose Digital Input/Output Connectors**

The Evaluation Board has through holes for CN\_DIGI1, CN\_DIGI2, CN\_DIGI3 connectors and test points (TP\_DIGI1, TP\_DIGI2, TP\_DIGI3) to confirm the input/output signals of the MCU. The CN\_DIGI1, CN\_DIGI2, CN\_DIGI3 connectors are not used in the sample program.

**Table 4-9 General-purpose Digital Input/Output Connector (CN\_DIGI1) Pin Assignment**

Connector	Terminal No.	Terminal Function (RAA306012)	Connection Terminal	RL78/G1F Port	RX13T Port
CN_DIGI1	1	VDD	CNA27/CNA28	VDD/EVDD	VCC/AVCC
	2	GND	CNA25/CNA26	VSS/EVSS	VSS/AVSS
	3	GPIO	CNA06	P04	NC
	4	GPIO	CNA11	P141	NC
	5	GPIO	CNA12	P140	NC
	6	GPIO	CNA13	P120	NC
	7	GPIO	CNA22	P122	NC
	8	GPIO (nSMPL)	CNB26	P17	PB0

**Table 4-10 General-purpose Digital Input/Output Connector (CN\_DIGI2) Pin Assignment**

Connector	Terminal No.	Terminal Function (RAA306012)	Connection Terminal	RL78/G1F Port	RX13T Port
CN_DIGI2	1	VDD	CNA27/CNA28	VDD/EVDD	VCC/AVCC
	2	GND	CNA25/CNA26	VSS/EVSS	VSS/AVSS
	3	GPIO	CNA05	P130	PA3
	4	GPIO	CNA19	P124	NC
	5	GPIO	CNA20	P123	NC
	6	GPIO	CNA23	P121	NC
	7	GPIO	CNA31	P62	NC
	8	GPIO	CNA32	P63	NC

**Table 4-11 General-purpose Digital Input/Output Connector (CN\_DIGI3) Pin Assignment**

Connector	Terminal No.	Terminal Function (RAA306012)	Connection Terminal	RL78/G1F Port	RX13T Port
CN_DIGI3	1	VDD	CNA27/CNA28	VDD/EVDD	VCC/AVCC
	2	GND	CNA25/CNA26	VSS/EVSS	VSS/AVSS
	3	GPIO	CNB13	P147	NC
	4	GPIO	CNB17	P16	NC
	5	GPIO	CNB31	P06	NC
	6	GPIO	CNB32	P70	NC
	7	GPIO	CNB33	P71	NC
	8	GPIO	CNB34	P72	NC

#### 4.4.7 General-purpose Analog Input/Output Connector

The Evaluation Board has through holes for CN\_ANA connector and test points (TP\_ANA) to confirm the analog input/output signals of the MCU. The CN\_ANA connector is not used in the sample program.

**Table 4-12 General-purpose Analog Input/Output Connector (CN\_ANA) Pin Assignment**

Connector	Terminal No.	Terminal Function (RAA306012)	Connection Terminal	RL78/G1F Port	RX13T Port
CN_ANA	1	VDD	CNA27/CNA28	VDD/EVDD	VCC/AVCC
	2	GND	CNA25/CNA26	VSS/EVSS	VSS/AVSS
	3	IU	CNB05	P20/ANI0	P40/AN000
	4	VM detection	CNB06	P21/ANI1	P41/AN001
	5	IW/Thermistor	CNB07	P22/ANI2	P42/AN002
	6	Potentiometer	CNB08	P23/ANI3	P43/AN003
	7	(DA3O)	CNB09	P25/ANI5	P44/AN004
	8	IV	CNB12	P24/ANI4	P47/AN007

## Chapter 5. Emulator Function

### 5.1 Program Write

The Control Board is equipped with an on-board emulator for flash write. Connect your PC to USB101 connector on the Control Board with USB micro-B cable for the firmware write. Use applications such as e<sup>2</sup> studio, CS+, or Renesas Flash Programmer to write firmware. The on-board emulator circuit connected to the PC is recognized as E2 Lite, please set the connection accordingly. Refer to the document of e<sup>2</sup> studio, CS+, Renesas Flash Programmer in detail.

#### Reference

- e<sup>2</sup> studio User's Manual: Quick Start Guide (R20UT5293EJ)
- CS+ User's Manual: Project Operation (R20UT5299EJ)
- Renesas Flash Programmer User's Manual (R20UT5312EJ)

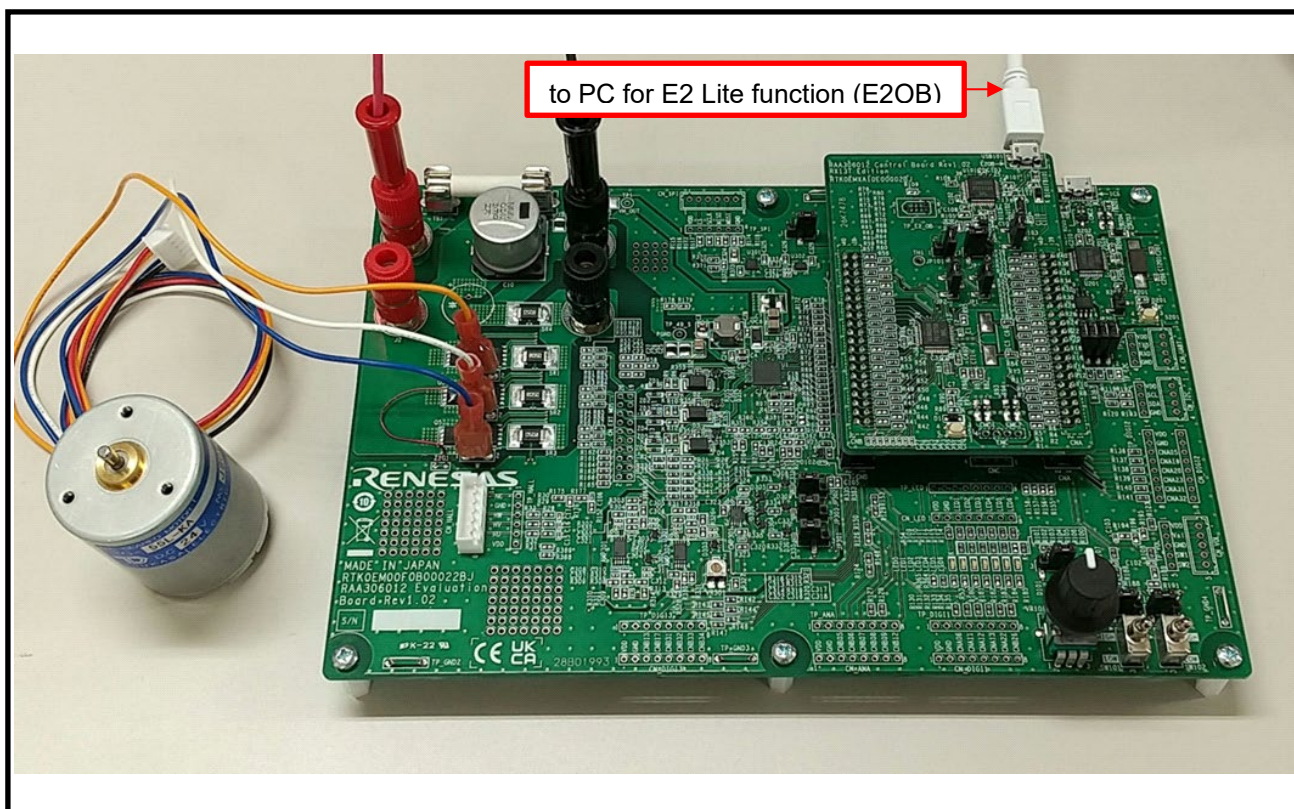


Figure 5-1 Connect with PC (E2 Lite function)

By using the on-board emulator function, it is possible to debug while executing the firmware. However, when driving a motor, debugging using this function is not recommended for the following reasons.

When driving a motor, it is recommended to use the RMWB function. For details about RMWB, refer to **Chapter 6**.

- If the MCU is STOPPED from the emulator while the motor is driving, the output of the timer stops at a fixed output, and the current continues to flow to a fixed phase, possibly causing burnout.
- When using the on-board emulator function, the PC and the Evaluation Board share the same GND. If the GND is shaken by motor drive, the PC may be damaged. (The circuit (ICS) used in the RMWB contains an isolator, so the GND of the PC and the Evaluation Board is not shared, allowing safe evaluation.)

### 5.1.1 e<sup>2</sup> studio

1. Supply power to the Evaluation Board, then connect to PC by USB cable.
2. Execute e<sup>2</sup> studio, click “Build All” from “Project” tab of e<sup>2</sup> studio. <sup>Note.1</sup>
3. Click “Debug” from “Run” tab of e<sup>2</sup> studio to write firmware.

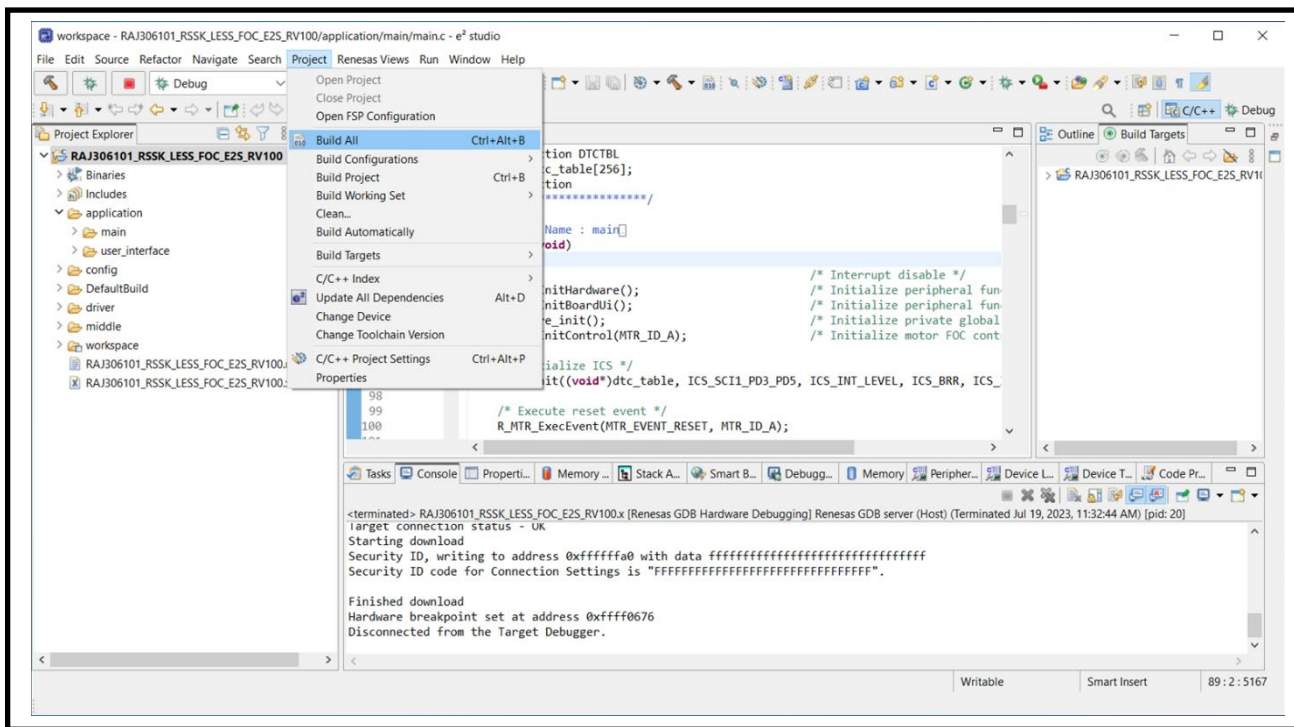


Figure 5-2 Firmware Build

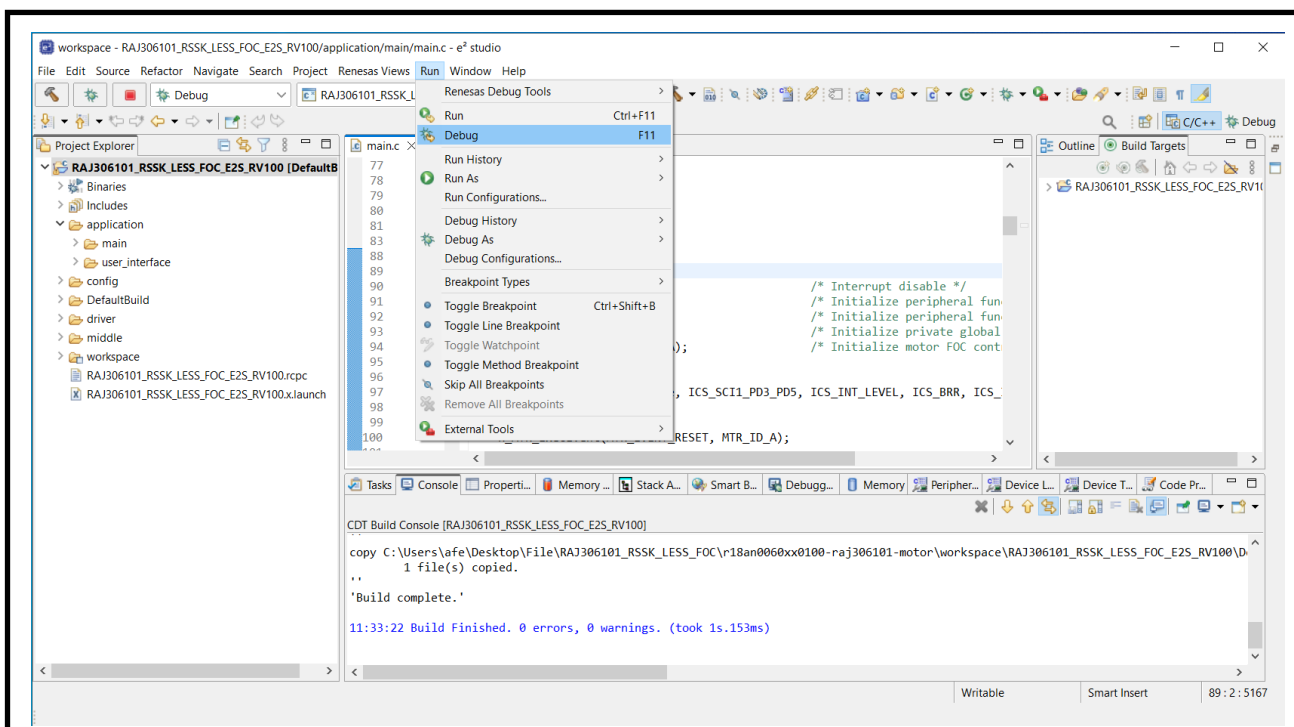


Figure 5-3 Firmware Write



Note.1: This document is confirmed using e2 studio 2023-01.

### 5.1.2 CS+

1. Supply power to Evaluation Board, then connect to PC by USB cable.
2. Execute CS+, click “Build & Download” from “Debug” tab of CS+ to write firmware. <sup>Note.1</sup>

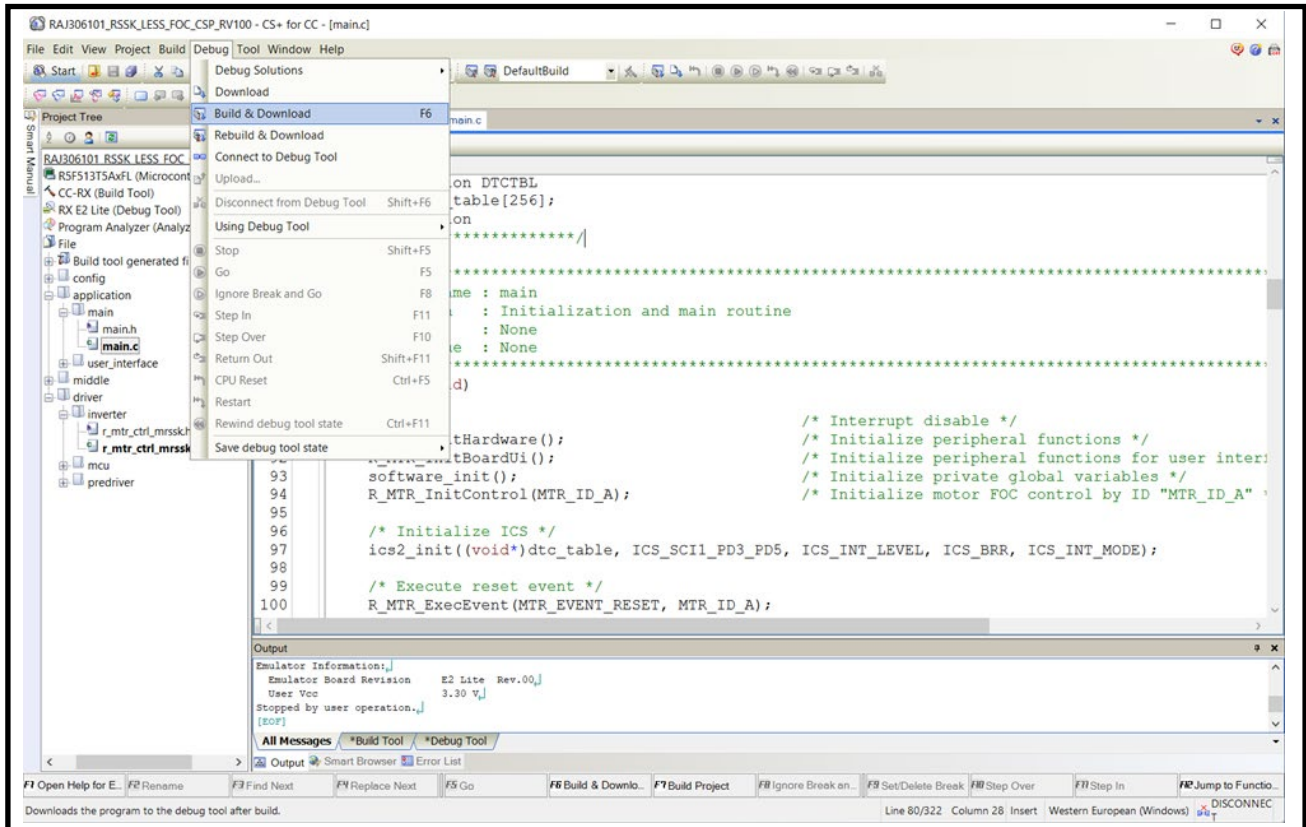


Figure 5-4 Firmware Write

Note.1: This document is confirmed using CS+ for CC V8.09.0.



### 5.1.3 Renesas Flash Programmer

1. Supply power to Evaluation Board, then connect to PC by USB cable.
2. Execute Renesas Flash Programmer, then connect from menu "File" > "New Project..." in reference to **Figure 5-5** or **Figure 5-7**. <sup>Note1</sup>
3. Select HEX file, then click "Start" in reference to **Figure 5-6** or **Figure 5-8** to write firmware.

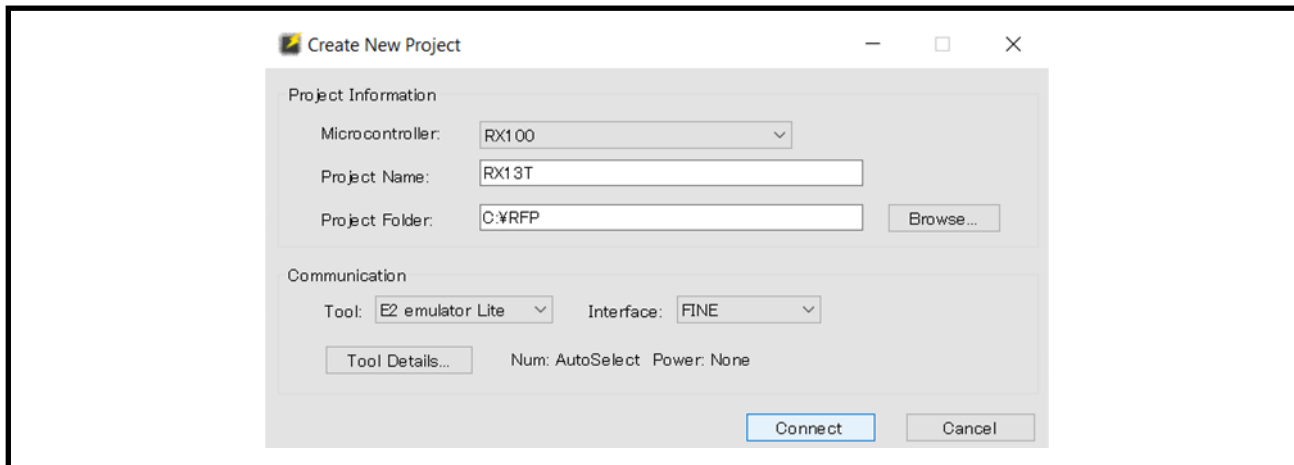


Figure 5-5 Create New Project (RX13T)

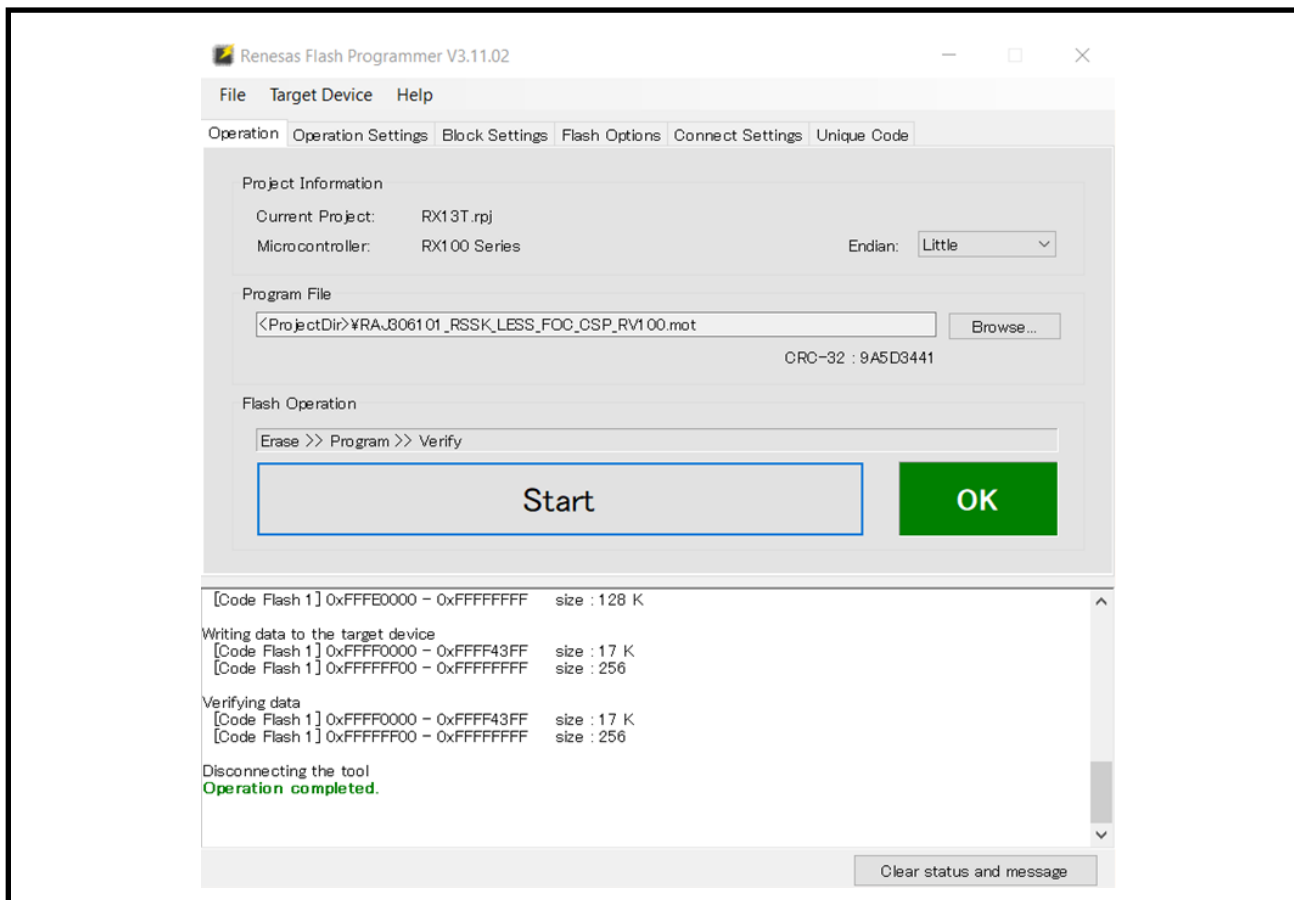


Figure 5-6 Firmware Write (RX13T)

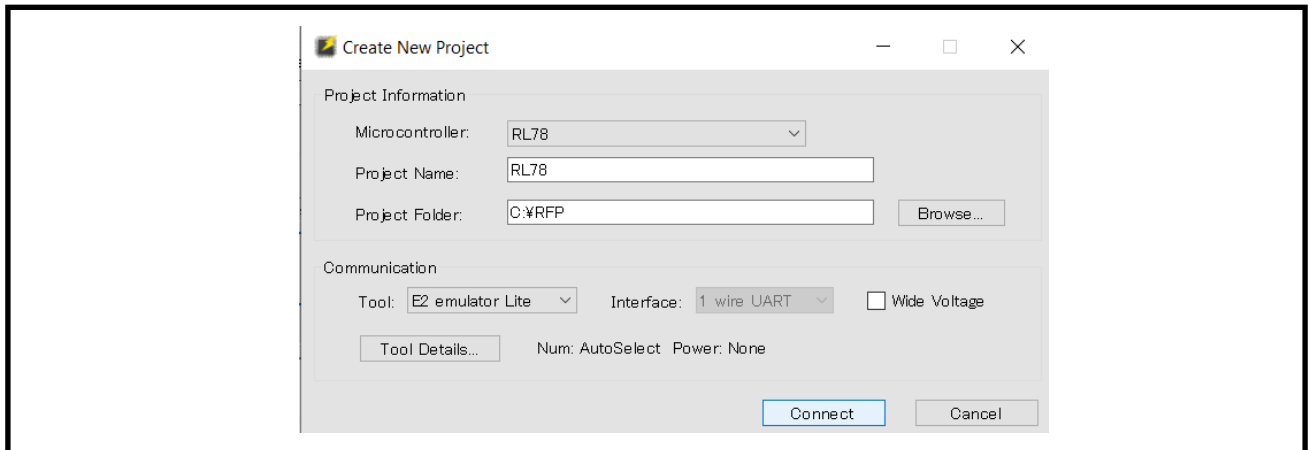


Figure 5-7 Create New Project (RL78/G1F)

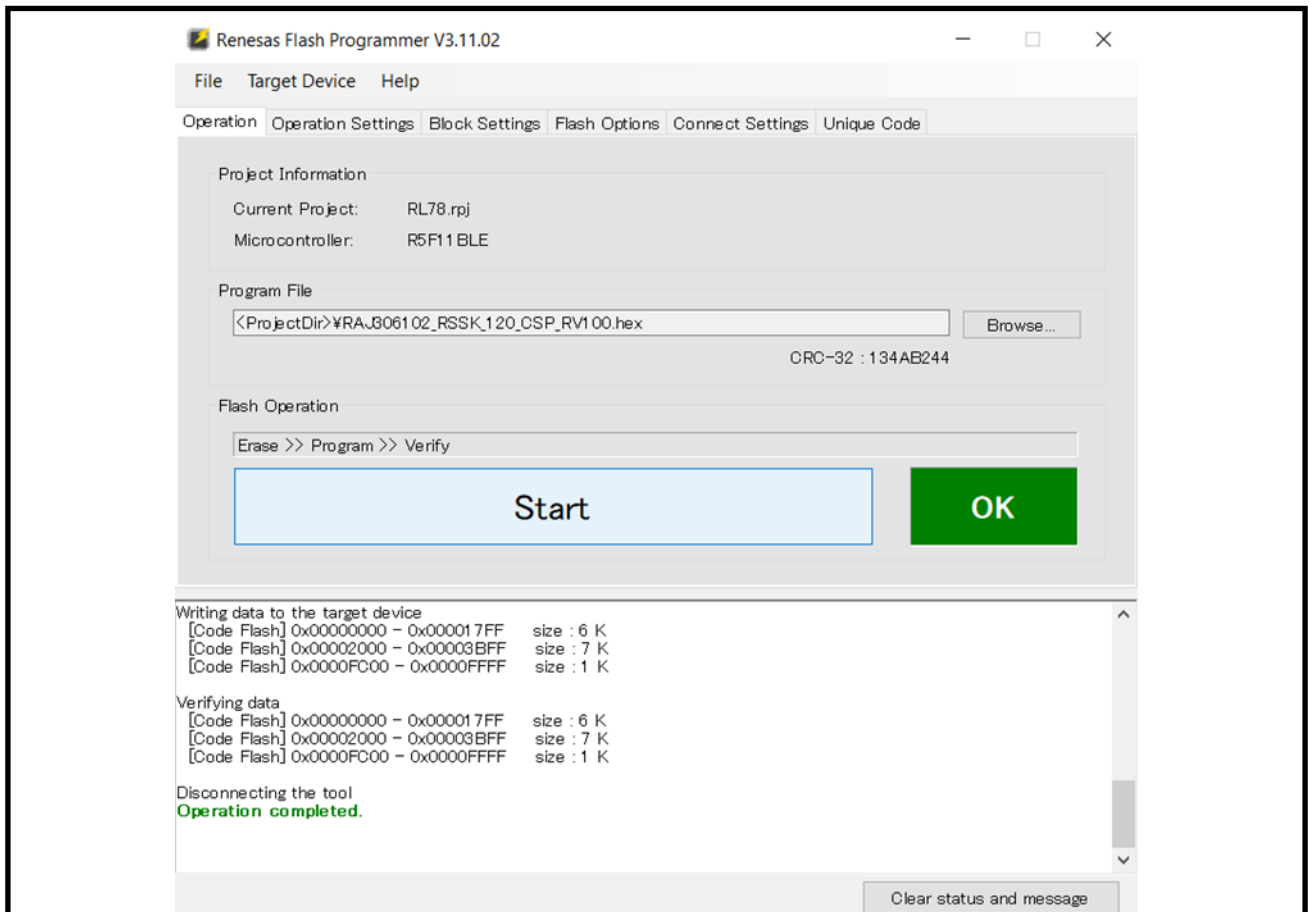


Figure 5-8 Firmware Write (RL78/G1F)

Note.1: This document is confirmed using Renesas Flash Programmer V3.11.02.

## Chapter 6. Renesas Motor Workbench

The board is equipped with an evaluation version of the Renesas Motor Workbench (RMWB) and ICS host function. The sample program for this IC uses RMBK. Install RMWB on a Windows PC, and connect the PC and Evaluation Board with a USB micro-B cable, monitor and change global variables from the PC, and display graphs.

When using RMWB (ICS), it is necessary to set a jumper pin in ICS\_SEL.

ICS uses the UART function. Therefore, UART cannot be used as a general-purpose function at the same time.

This tool and library are sample and Renesas does not provide technical support. In addition, Renesas cannot be held responsible for any problems such as damage caused by incorporating or using this tool.

For instructions on using the tool, refer to the user's manual of the Motor Control Development Support Tool Renesas Motor Workbench.

Reference:

Renesas Motor Workbench URL: <https://www.renesas.com/us/en/software-tool/renesas-motor-workbench>.

If you wish to use RMWB in your user system, please consider purchasing the ICS / ICS ++ product version. The product version of ICS/ICS++ is sold by Desktop Lab Co., Ltd.

Reference:

Desktop Lab Co., Ltd. URL: <http://www.desktoplab.co.jp/download.html>

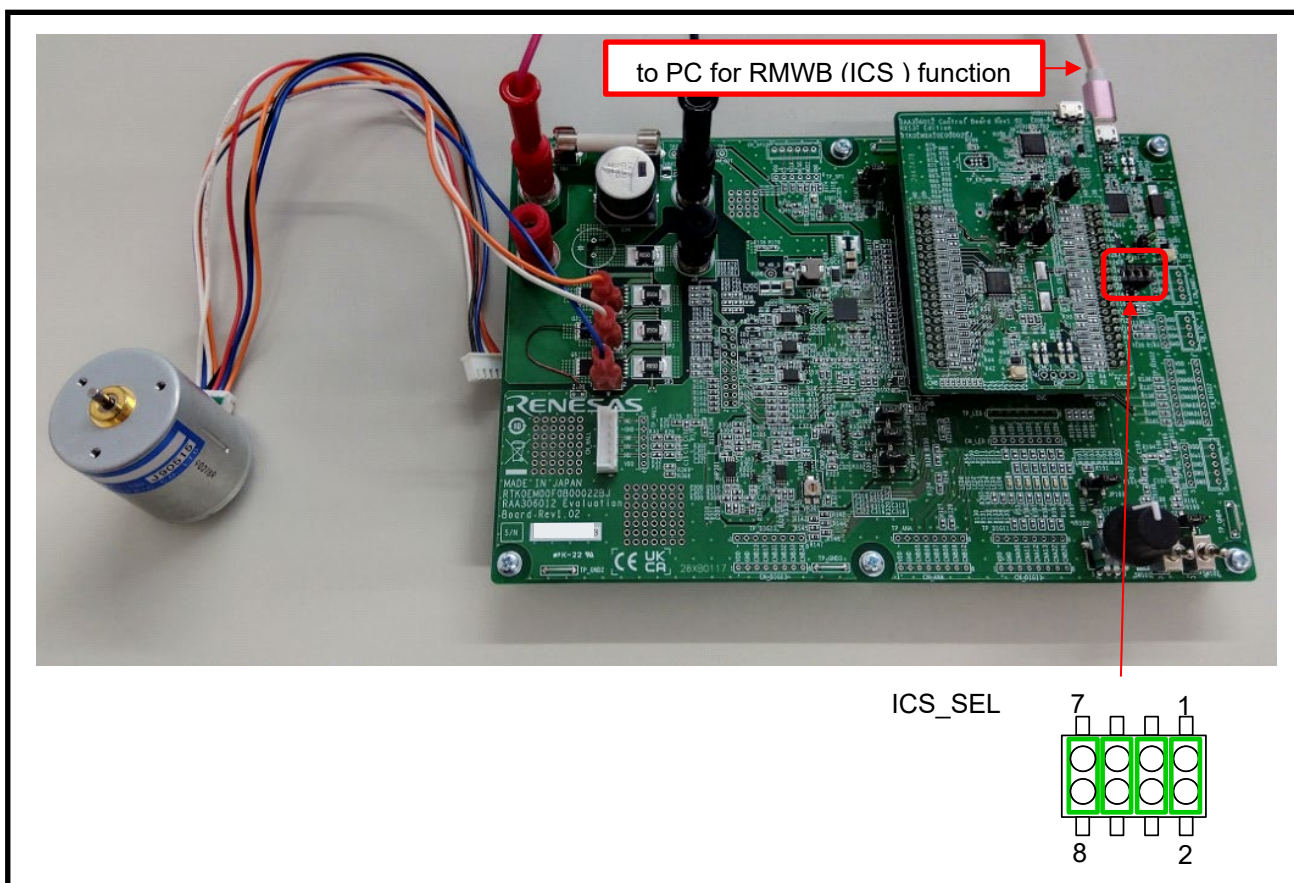


Figure 6-1 Connect with PC (RMWB (ICS) Function)

## Chapter 7. Information

### 7.1 European Union Regulatory Notices

This product complies with the following EU Directives. (These directives are only valid in the European Union.)

CE Certifications:

- Electromagnetic Compatibility (EMC) Directive 2014/30/EU

EN61326-1: 2013 Class A

---

**WARNING:** This is a Class A product. This equipment can cause radio frequency noise when used in the residential area. In such cases, the user/operator of the equipment may be required to take appropriate countermeasures under his responsibility.

---

- Information for traceability

- Authorized representative

Name: Renesas Electronics Corporation

Address: Toyosu Foresia, 3-2-24, Toyosu, Koto-ku, Tokyo 135-0061, Japan

- Manufacturer

Name: Renesas Electronics Corporation

Address: Toyosu Foresia, 3-2-24, Toyosu, Koto-ku, Tokyo 135-0061, Japan

- Person responsible for placing on the market

Name: Renesas Electronics Corporation

Address: Toyosu Foresia, 3-2-24, Toyosu, Koto-ku, Tokyo 135-0061, Japan

- Trademark and Type name

Trademark: Renesas

Product name: Renesas Solution Starter Kit  
Motor Control Evaluation System  
- 3-Phase Smart Gate Driver: RAA306012 -

Type name: RTK0EM00F0S00020BJ

- Environmental Compliance and Certifications:

- Waste Electrical and Electronic Equipment (WEEE) Directive 2012/19/EU

## Revision History

Revision	Date	Description	Object Page
1.00	Nov 1, 2023	· Initial release.	· All

---

Renesas Solution Starter Kit

Motor Control Evaluation System

- 3-Phase Smart Gate Driver: RAA306012 -

Publication Date: Rev.1.00 Nov 1, 2023

Published by: Renesas Electronics Corporation

---



RAA306012



Renesas Electronics Corporation

R12UZ0128EJ0100

## X-ON Electronics

Largest Supplier of Electrical and Electronic Components

*Click to view similar products for [Power Management IC Development Tools](#) category:*

*Click to view products by [Renesas](#) manufacturer:*

Other Similar products are found below :

[EVB-EP5348UI](#) [BQ25010EVM](#) [ISL80019AEVAL1Z](#) [ISLUSBI2CKIT1Z](#) [ISL8002AEVAL1Z](#) [ISL91108IIA-EVZ](#) [MAX8556EVKIT](#)  
[MAX15005AEVKIT+](#) [ISL28022EVKIT1Z](#) [STEVAL-ISA008V1](#) [DRI0043](#) [KITPF8100FRDMEVM](#) [EVB-EN6337QA](#)  
[SAMPLEBOXILD8150TOBO1](#) [MAX18066EVKIT#](#) [AP62300WU-EVM](#) [KITA2GTC387MOTORCTRTOBO1](#) [AEK-MOT-TK200G1](#)  
[EVLONE65W](#) [STEVAL-ILH006V1](#) [STEVAL-IPE008V2](#) [STEVAL-IPP001V2](#) [STEVAL-ISA013V1](#) [STEVAL-ISA067V1](#) [STEVAL-](#)  
[ISQ002V1](#) [TPS2306EVM-001](#) [TPS2330EVM-185](#) [TPS40001EVM-001](#) [SECO-HVDCDC1362-15W-GEVB](#) [BTS7030-2EPA](#)  
[LT8638SJV#WPBF](#) [LTC3308AIV#WTRPBF](#) [TLT807B0EPV](#) [BTS71033-6ESA](#) [EV13N91A](#) [EASYPIC V8 OVER USB-C](#) [EV55W64A](#)  
[CLICKER 4 FOR STM32F4](#) [EASYMX PRO V7A FOR STM32](#) [CLICKER 4 FOR PIC18F](#) [Si8285\\_86v2-KIT](#) [PAC52700EVK1](#) [NCP-](#)  
[NCV51752D2PAK3LGEVB](#) [ISL81807EVAL1Z](#) [AP33772S-EVB](#) [EVALM7HVIGBTFCINV4TOBO1](#) [903-0300-000](#) [902-0173-000](#) [903-](#)  
[0301-000](#) [ROA1286023/1](#)