

RA8T1 Group

MCK-RA8T1 User's Manual

Renesas RA Family RA8 Series

All information contained in these materials, including products and product specifications, represents information on the product at the time of publication and is subject to change by Renesas Electronics Corp. without notice. Please review the latest information published by Renesas Electronics Corp. through various means, including the Renesas Electronics Corp. website (<http://www.renesas.com>).

General Precautions in the Handling of Microprocessing Unit and Microcontroller Unit Products

The following usage notes are applicable to all Microprocessing unit and Microcontroller unit products from Renesas. For detailed usage notes on the products covered by this document, refer to the relevant sections of the document as well as any technical updates that have been issued for the products.

1. Precaution against Electrostatic Discharge (ESD)

A strong electrical field, when exposed to a CMOS device, can cause destruction of the gate oxide and ultimately degrade the device operation. Steps must be taken to stop the generation of static electricity as much as possible, and quickly dissipate it when it occurs. Environmental control must be adequate. When it is dry, a humidifier should be used. This is recommended to avoid using insulators that can easily build up static electricity.

Semiconductor devices must be stored and transported in an anti-static container, static shielding bag or conductive material. All test and measurement tools including work benches and floors must be grounded. The operator must also be grounded using a wrist strap. Semiconductor devices must not be touched with bare hands. Similar precautions must be taken for printed circuit boards with mounted semiconductor devices.

2. Processing at power-on

The state of the product is undefined at the time when power is supplied. The states of internal circuits in the LSI are indeterminate and the states of register settings and pins are undefined at the time when power is supplied. In a finished product where the reset signal is applied to the external reset pin, the states of pins are not guaranteed from the time when power is supplied until the reset process is completed. In a similar way, the states of pins in a product that is reset by an on-chip power-on reset function are not guaranteed from the time when power is supplied until the power reaches the level at which resetting is specified.

3. Input of signal during power-off state

Do not input signals or an I/O pull-up power supply while the device is powered off. The current injection that results from input of such a signal or I/O pull-up power supply may cause malfunction and the abnormal current that passes in the device at this time may cause degradation of internal elements. Follow the guideline for input signal during power-off state as described in your product documentation.

4. Handling of unused pins

Handle unused pins in accordance with the directions given under handling of unused pins in the manual. The input pins of CMOS products are generally in the high-impedance state. In operation with an unused pin in the open-circuit state, extra electromagnetic noise is induced in the vicinity of the LSI, an associated shoot-through current flows internally, and malfunctions occur due to the false recognition of the pin state as an input signal become possible.

5. Clock signals

After applying a reset, only release the reset line after the operating clock signal becomes stable. When switching the clock signal during program execution, wait until the target clock signal is stabilized. When the clock signal is generated with an external resonator or from an external oscillator during a reset, ensure that the reset line is only released after full stabilization of the clock signal. Additionally, when switching to a clock signal produced with an external resonator or by an external oscillator while program execution is in progress, wait until the target clock signal is stable.

6. Voltage application waveform at input pin

Waveform distortion due to input noise or a reflected wave may cause malfunction. If the input of the CMOS device stays in the area between V_{IL} (Max.) and V_{IH} (Min.) due to noise, for example, the device may malfunction. Take care to prevent chattering noise from entering the device when the input level is fixed, and also in the transition period when the input level passes through the area between V_{IL} (Max.) and V_{IH} (Min.).

7. Prohibition of access to reserved addresses

Access to reserved addresses is prohibited. The reserved addresses are provided for possible future expansion of functions. Do not access these addresses as the correct operation of the LSI is not guaranteed.

8. Differences between products

Before changing from one product to another, for example to a product with a different part number, confirm that the change will not lead to problems. The characteristics of a microprocessing unit or microcontroller unit products in the same group but having a different part number might differ in terms of internal memory capacity, layout pattern, and other factors, which can affect the ranges of electrical characteristics, such as characteristic values, operating margins, immunity to noise, and amount of radiated noise. When changing to a product with a different part number, implement a system-evaluation test for the given product.

Notice

1. Descriptions of circuits, software and other related information in this document are provided only to illustrate the operation of semiconductor products and application examples. You are fully responsible for the incorporation or any other use of the circuits, software, and information in the design of your product or system. Renesas Electronics disclaims any and all liability for any losses and damages incurred by you or third parties arising from the use of these circuits, software, or information.
2. Renesas Electronics hereby expressly disclaims any warranties against and liability for infringement or any other claims involving patents, copyrights, or other intellectual property rights of third parties, by or arising from the use of Renesas Electronics products or technical information described in this document, including but not limited to, the product data, drawings, charts, programs, algorithms, and application examples.
3. No license, express, implied or otherwise, is granted hereby under any patents, copyrights or other intellectual property rights of Renesas Electronics or others.
4. You shall be responsible for determining what licenses are required from any third parties, and obtaining such licenses for the lawful import, export, manufacture, sales, utilization, distribution or other disposal of any products incorporating Renesas Electronics products, if required.
5. You shall not alter, modify, copy, or reverse engineer any Renesas Electronics product, whether in whole or in part. Renesas Electronics disclaims any and all liability for any losses or damages incurred by you or third parties arising from such alteration, modification, copying or reverse engineering.
6. Renesas Electronics products are classified according to the following two quality grades: "Standard" and "High Quality". The intended applications for each Renesas Electronics product depends on the product's quality grade, as indicated below.

"Standard": Computers; office equipment; communications equipment; test and measurement equipment; audio and visual equipment; home electronic appliances; machine tools; personal electronic equipment; industrial robots; etc.

"High Quality": Transportation equipment (automobiles, trains, ships, etc.); traffic control (traffic lights); large-scale communication equipment; key financial terminal systems; safety control equipment; etc.

Unless expressly designated as a high reliability product or a product for harsh environments in a Renesas Electronics data sheet or other Renesas Electronics document, Renesas Electronics products are not intended or authorized for use in products or systems that may pose a direct threat to human life or bodily injury (artificial life support devices or systems; surgical implantations; etc.), or may cause serious property damage (space system; undersea repeaters; nuclear power control systems; aircraft control systems; key plant systems; military equipment; etc.). Renesas Electronics disclaims any and all liability for any damages or losses incurred by you or any third parties arising from the use of any Renesas Electronics product that is inconsistent with any Renesas Electronics data sheet, user's manual or other Renesas Electronics document.
7. No semiconductor product is absolutely secure. Notwithstanding any security measures or features that may be implemented in Renesas Electronics hardware or software products, Renesas Electronics shall have absolutely no liability arising out of any vulnerability or security breach, including but not limited to any unauthorized access to or use of a Renesas Electronics product or a system that uses a Renesas Electronics product. RENESAS ELECTRONICS DOES NOT WARRANT OR GUARANTEE THAT RENESAS ELECTRONICS PRODUCTS, OR ANY SYSTEMS CREATED USING RENESAS ELECTRONICS PRODUCTS WILL BE INVULNERABLE OR FREE FROM CORRUPTION, ATTACK, VIRUSES, INTERFERENCE, HACKING, DATA LOSS OR THEFT, OR OTHER SECURITY INTRUSION ("Vulnerability Issues"). RENESAS ELECTRONICS DISCLAIMS ANY AND ALL RESPONSIBILITY OR LIABILITY ARISING FROM OR RELATED TO ANY VULNERABILITY ISSUES. FURTHERMORE, TO THE EXTENT PERMITTED BY APPLICABLE LAW, RENESAS ELECTRONICS DISCLAIMS ANY AND ALL WARRANTIES, EXPRESS OR IMPLIED, WITH RESPECT TO THIS DOCUMENT AND ANY RELATED OR ACCOMPANYING SOFTWARE OR HARDWARE, INCLUDING BUT NOT LIMITED TO THE IMPLIED WARRANTIES OF MERCHANTABILITY, OR FITNESS FOR A PARTICULAR PURPOSE.
8. When using Renesas Electronics products, refer to the latest product information (data sheets, user's manuals, application notes, "General Notes for Handling and Using Semiconductor Devices" in the reliability handbook, etc.), and ensure that usage conditions are within the ranges specified by Renesas Electronics with respect to maximum ratings, operating power supply voltage range, heat dissipation characteristics, installation, etc. Renesas Electronics disclaims any and all liability for any malfunctions, failure or accident arising out of the use of Renesas Electronics products outside of such specified ranges.
9. Although Renesas Electronics endeavors to improve the quality and reliability of Renesas Electronics products, semiconductor products have specific characteristics, such as the occurrence of failure at a certain rate and malfunctions under certain use conditions. Unless designated as a high reliability product or a product for harsh environments in a Renesas Electronics data sheet or other Renesas Electronics document, Renesas Electronics products are not subject to radiation resistance design. You are responsible for implementing safety measures to guard against the possibility of bodily injury, injury or damage caused by fire, and/or danger to the public in the event of a failure or malfunction of Renesas Electronics products, such as safety design for hardware and software, including but not limited to redundancy, fire control and malfunction prevention, appropriate treatment for aging degradation or any other appropriate measures. Because the evaluation of microcomputer software alone is very difficult and impractical, you are responsible for evaluating the safety of the final products or systems manufactured by you.
10. Please contact a Renesas Electronics sales office for details as to environmental matters such as the environmental compatibility of each Renesas Electronics product. You are responsible for carefully and sufficiently investigating applicable laws and regulations that regulate the inclusion or use of controlled substances, including without limitation, the EU RoHS Directive, and using Renesas Electronics products in compliance with all these applicable laws and regulations. Renesas Electronics disclaims any and all liability for damages or losses occurring as a result of your noncompliance with applicable laws and regulations.
11. Renesas Electronics products and technologies shall not be used for or incorporated into any products or systems whose manufacture, use, or sale is prohibited under any applicable domestic or foreign laws or regulations. You shall comply with any applicable export control laws and regulations promulgated and administered by the governments of any countries asserting jurisdiction over the parties or transactions.
12. It is the responsibility of the buyer or distributor of Renesas Electronics products, or any other party who distributes, disposes of, or otherwise sells or transfers the product to a third party, to notify such third party in advance of the contents and conditions set forth in this document.
13. This document shall not be reprinted, reproduced or duplicated in any form, in whole or in part, without prior written consent of Renesas Electronics.
14. Please contact a Renesas Electronics sales office if you have any questions regarding the information contained in this document or Renesas Electronics products.

(Note1) "Renesas Electronics" as used in this document means Renesas Electronics Corporation and also includes its directly or indirectly controlled subsidiaries.

(Note2) "Renesas Electronics product(s)" means any product developed or manufactured by or for Renesas Electronics.

(Rev.5.0-1 October 2020)

Corporate Headquarters

TOYOSU FORESIA, 3-2-24 Toyosu,
Koto-ku, Tokyo 135-0061, Japan

www.renesas.com

Trademarks

Renesas and the Renesas logo are trademarks of Renesas Electronics Corporation. All trademarks and registered trademarks are the property of their respective owners.

Contact information

For further information on a product, technology, the most up-to-date version of a document, or your nearest sales office, please visit:

www.renesas.com/contact/.

MCK-RA8T1 User's Manual

Contents

1. Overview	5
1.1 Presupposition and precautions of this document	5
2. Product Contents	6
3. Product Order Information	6
4. Hardware Configuration and Default Setting	7
4.1 Hardware configuration	7
4.2 Block diagram	11
4.3 Board Layout	12
4.4 Standoffs and Screws	13
4.5 Jumper pin setting	14
4.5.1 Inverter board	14
4.5.2 CPU board	15
4.5.3 Communication board	17
4.6 Hardware Setup	18
4.6.1 Board Connection	18
4.6.2 Power Supply	19
5. Inverter Board Specification	21
5.1 Functions	21
5.1.1 Inverter control circuit block	21
5.1.2 Current detection circuit	22
5.1.3 Overcurrent detection circuit	23
5.1.4 Output voltage detection circuit	24
5.1.5 Voltage generation circuit	24
5.1.6 LED	25
5.1.7 Toggle switch and push switch	25
5.1.8 Variable resistor	25
5.2 Pin assignment	26
5.2.1 CPU board connector	26
5.2.2 Hall sensor signal input	28
5.2.3 Encoder/Inductive position sensor signal input	28
6. CPU Board Specification	29
6.1 Functions	29
6.1.1 Power supply	29

6.1.2	Onboard debugger	29
6.1.3	J-Link Virtual COM Port.....	29
6.1.4	USB IF	29
6.1.5	Inverter board connector	30
6.1.6	Serial communication	32
6.1.7	Reset circuit.....	32
6.1.8	LED.....	33
6.1.9	CAN Communication.....	33
6.1.10	Pmod	33
6.2	RA8T1 pin function list	34
7.	Communication Board Specification	38
7.1	Functions	38
7.1.1	Power supply	38
7.1.2	USB communication	38
7.1.3	Serial communication	38
8.	Design and Manufacture Information	39
9.	Website and Support	39
	Revision History	40

Figure of contents

Figure 2-1 Product contents	6
Figure 4-1 MCK-RA8T1 block diagram	11
Figure 4-2 Inverter board Layout	12
Figure 4-3 CPU Board Layout	12
Figure 4-4 Communication board Layout	13
Figure 4-5 Standoffs and Screws assembly	13
Figure 4-6 Default jumper pin setting of Inverter board	14
Figure 4-7 Default jumper pin setting of CPU board	16
Figure 4-8 Default jumper pin setting of Communication board	17
Figure 4-9 Board connection	18
Figure 4-10 Power supply from DC jack	19
Figure 4-11 Power supply from terminal block	19
Figure 4-12 Power supply from USB connector	20
Figure 5-1 Illustration of inverter control circuit block	21
Figure 5-2 Current detection circuit	22
Figure 5-3 Overcurrent detection circuit	23
Figure 5-4 Output voltage detection circuit	24
Figure 6-1 Jumper setting of JP6	29
Figure 6-2 Board connection of CPU board, INV board and COM board	32

Table of contents

Table 4-1 MCK-RA8T1 specification (1/4).....	7
Table 4-2 MCK-RA8T1 specification (2/4).....	8
Table 4-3 MCK-RA8T1 specification (3/4).....	9
Table 4-4 MCK-RA8T1 specification (4/4).....	10
Table 4-5 Jumper pin setting of Inverter board	14
Table 4-6 Jumper pins/registers setting of CPU board for INV1/INV2	15
Table 4-7 Jumper pins/registers setting of CPU board for board interface	15
Table 4-8 Jumper registers setting of CPU board for PWM single channel.....	15
Table 4-9 Jumper pin setting of Communication board.....	17
Table 4-10 Power supply and driving voltage generation	20
Table 5-1 Voltage generation	24
Table 5-2 LED.....	25
Table 5-3 Toggle switch and push switch.....	25
Table 5-4 Variable resistance specification	25
Table 5-5 CPU board connector (CN3)	26
Table 5-6 CPU board connector (CN4)	27
Table 5-7 Connector for hall sensor signal input (CN6) pin assignment.....	28
Table 5-8 Pins for encoder/inductive position sensor signal input (CN5) pin assignment	28
Table 6-1 1st inverter board connector (CN1) pin assignment.....	30
Table 6-2 1st inverter board connector (CN2) pin assignment.....	30
Table 6-3 2nd inverter board connector (CN3) pin assignment	31
Table 6-4 2nd inverter board connector (CN4) pin assignment	31
Table 6-5 SCI connector (CN8) pin assignment.....	32
Table 6-6 LED pin assignment	33
Table 6-7 CAN communication pin assignment (CN5).....	33
Table 6-8 Pmod Type 2A/3A connector pin assignment (CN6)	33
Table 6-9 Pmod Type 6A connector pin assignment (CN7).....	33
Table 6-10 RA8T1 pin function list	34
Table 7-1 SCI connector (CN5) pin assignment.....	38
Table 7-2 SCI connector (CN4) pin assignment.....	38

1. Overview

MCK-RA8T1 is a motor control evaluation kit. By using this product, motor control with MCK-RA8T1 can be performed easily.

MCK-RA8T1 has characteristics shown below.

- (1) Supports Brushless DC motor.
- (2) Supports 1-/2-/3-shunt current detection.
- (3) Supports Motor Control Development Support Tool.
- (4) Provides overcurrent protection function using overcurrent detection circuit.

1.1 Presupposition and precautions of this document

1. Experience of using tools: This document assumes that the user has used terminal emulation program of Integrated Development Environment (IDE) such as e2 studio before.
2. Knowledge about the development subject: This document assumes that the user has a basic knowledge to modify the sample project regarding MCU and embedded system.
3. Before using this product, wear an antistatic wrist strap. If you touch this product with static charge on your body, a device failure may occur, or operation may become unstable.
4. All screen shots provided in this document is for reference. Actual screen displays may differ depending on the software and development tool version which you use.

2. Product Contents

This kit consists of the following parts.

1. Inverter Board (RTK0EM0000B12020BJ) x1
2. CPU Board (RTK0EMA5K0C00000BJ) x1
3. Communication board (RTK0EMXC90Z00000BJ) x1
4. Brushless DC Motor (R42BLD30L3) x1
5. Communication cable x1
6. USB cable x2
7. Screw x12
8. Standoff x12

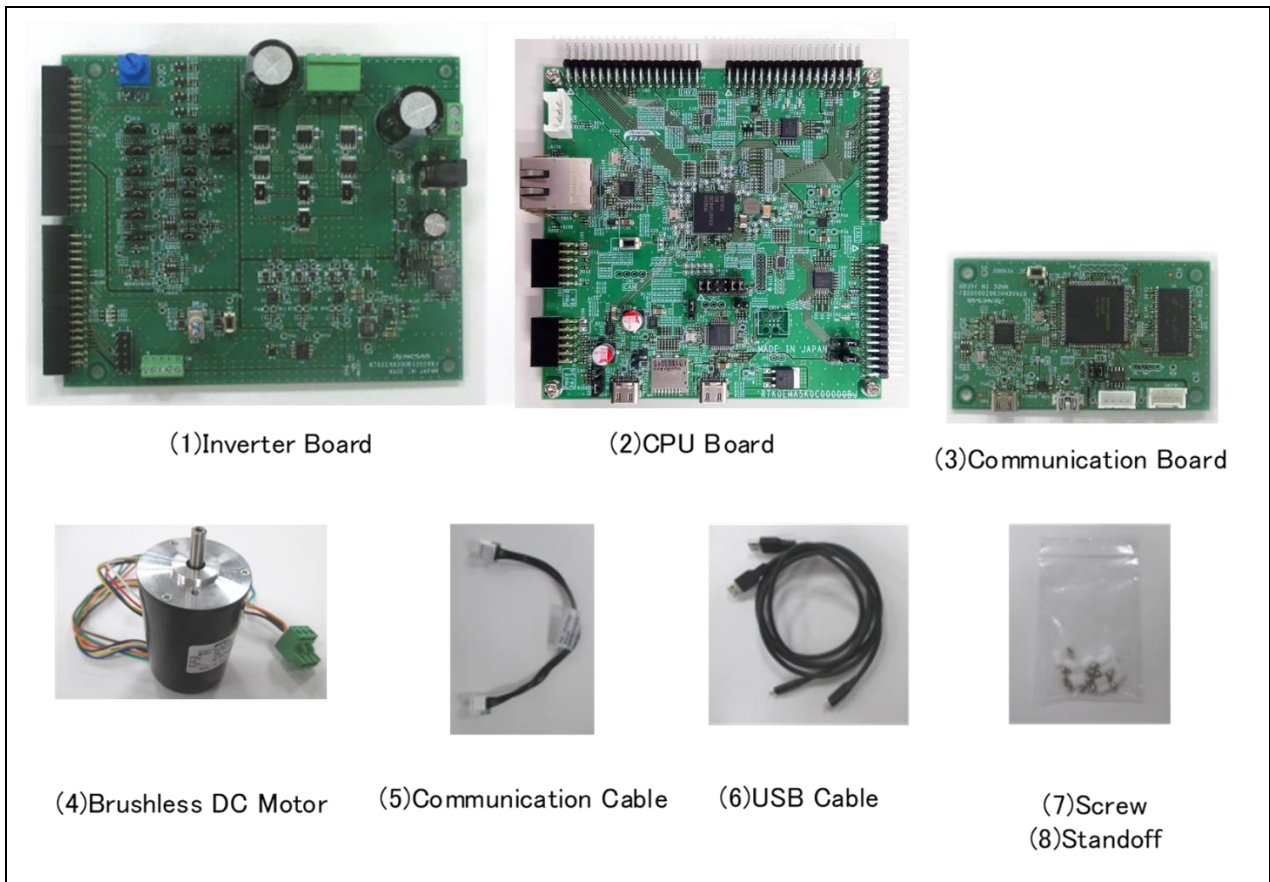


Figure 2-1 Product contents

3. Product Order Information

Product number to order MCK-RA8T1:RTK0EMA5K0S00020BJ

4. Hardware Configuration and Default Setting

4.1 Hardware configuration

MCK-RA8T1 consists of the inverter board, the CPU board and the communication board. Specifications as a kit and for the relevant boards are listed below.

Table 4-1 MCK-RA8T1 specification (1/4)

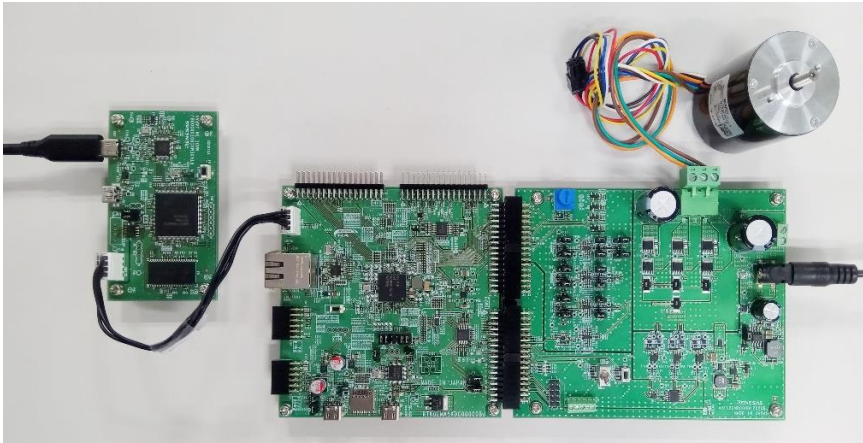

Item	Specification	
Kit product name	MCK-RA8T1	
Kit product No.	RTK0EMA5K0S00020BJ	
Kit configuration	Inverter Board	RTK0EM0000B12020BJ
	CPU Board	RTK0EMA5K0C00000BJ
	Communication board	RTK0EMXC90Z00000BJ
	Brushless DC Motor	R42BLD30L3 (MOONS') Rated voltage : 36[V] Rated current : 1.67[A]
Isolation	Inverter board - CPU board : Non-isolated Communication board – CPU board : isolated (up to 1kV _{RMS})	
External view	 <p>Note: The actual product may differ from this photo.</p>	
Board size	Inverter board : 133 mm (W) x 109 mm (L) CPU board : 109 mm (W) x 109 mm (L) Communication board : 89mm(W) x 52mm(L)	
Operating temperature	Room temperature	
Operating humidity	No condensation allowed	
EMC Directive	EN61326-1:2021 EMI : Class A EMS : Basic Electromagnetic environment	

Table 4-2 MCK-RA8T1 specification (2/4)

Item	Specification
Product name	Inverter board
Board part No.	RTK0EM0000B12020BJ
External view	 <p>Note: The actual product may differ from this photo.</p>
Power supply	2 ways <ul style="list-style-type: none"> • From DC jack or Power supply connector (DC 12~48V) *1 • From CPU board (DC 5V)
Rated output current	AC 10 A (RMS value) *2
Switching frequency	20 kHz (typical)
Current detection method	1- / 2- / 3-shunt detection
Shunt resistor	10 mohm
PWM logic	Lower arm, Upper arm : Positive logic
DC bus voltage detection (bus voltage detection)	Detection by resistance division
3-phase output voltage detection	Detection by resistance division
3-phase output current detection	With shunt resistor
Overcurrent detection function	21.4 A for AVCC=3.3V 32.4 A for AVCC=5.0V
Supporting sensor	HALL sensor, Encoder
Connector	<ul style="list-style-type: none"> • CPU card connector • Motor connector • Power input connector • HALL sensor connector • Encoder/Inductive position sensor connector
Switch	<ul style="list-style-type: none"> • Toggle switch x1 • Push switch x1
LED	<ul style="list-style-type: none"> • LED x3 • Power LED

*1 The polarity of the DC jack (J1) is center positive. The compatible plug has an inner diameter of 2.1 mm and an outer diameter of 5.5 mm.

*2 It is strongly recommended to attach a heat sink to the MOSFET when using over 5A.

Table 4-3 MCK-RA8T1 specification (3/4)



item	Specification	
Product name	CPU Board	
Board part No.	RTK0EMA5K0C00000BJ	
Compatible inverter board	RTK0EM0000B12020BJ	
External view	 <p>Note: The actual product may differ from this photo.</p>	
Mounted MCU	Product group	RA8T1 group
	Product No.	R7FA8T1AHECBD
	CPU maximum operating frequency	480MHz
	Bit count	32 bit
	Package / Pin count	BGA / 224 pin
	ROM / RAM	2MB / 1MB
MCU input clock	24MHz (Generate with external crystal oscillator)	
Power supply	DC 5V Select one way automatically from the below <ul style="list-style-type: none"> • Power is supplied from compatible inverter board • Power is supplied from USB connector 	
Debugger	J-Link-OB (Onboard debugger circuit)	
Connector	<ul style="list-style-type: none"> • Inverter board connector (2 pair) • USB connector for J-Link OB • USB connector for RA8T1 • SCI connector for Renesas Motor Workbench communication • Through hole for CAN communication • 20 pin through hole for Arm debugger • Pmod connectors (Type6A + Type2A/3A) • Ethernet connector • microSD card connector 	
Switch	MCU reset switch	
LED	User-controllable LED x4, Power LED x1	

Table 4-4 MCK-RA8T1 specification (4/4)

item		Specification
Product name		CPU Board
Board part No.		RTK0EMXC90Z0000BJ
External view		 <p>Note: The actual product may differ from this photo.</p>
Mounted MCU	Product group	RX72N group
	Product No.	R5F572NNDDFB
	CPU maximum operating frequency	240MHz
	Bit count	32 bit
	Package / Pin count	LFQFP / 144 pin
	RAM	1M byte
MCU input clock		20MHz (Generate with external crystal oscillator)
Power supply		DC 5V <ul style="list-style-type: none"> Power is supplied from USB connector
Connector		<ul style="list-style-type: none"> USB Type-C connector for PC SCI connector for CPU board USB miniB connector (not available for users)
Isolation		<ul style="list-style-type: none"> Between SCI connector and MCU Up to 1kV_{RMS}
Switch		MCU external reset switch

4.2 Block diagram

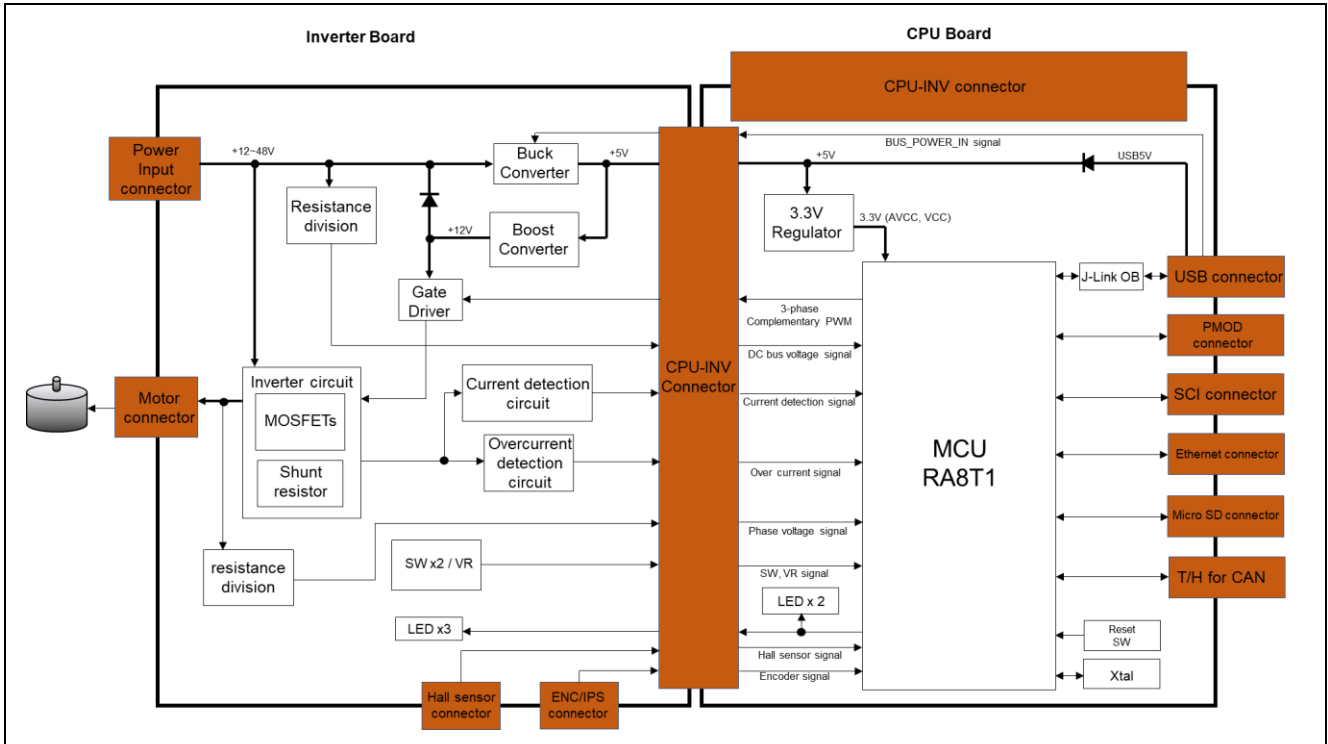


Figure 4-1 MCK-RA8T1 block diagram

4.3 Board Layout

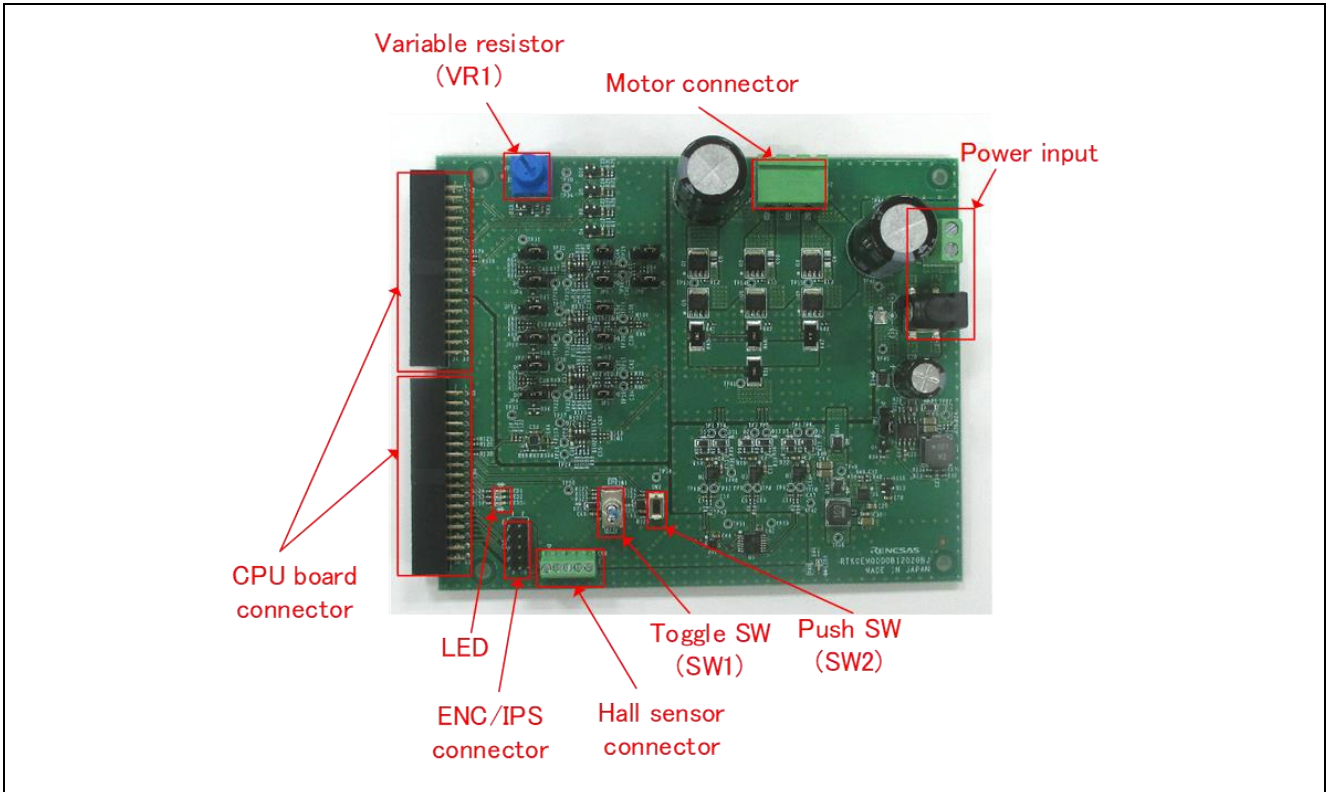


Figure 4-2 Inverter board Layout

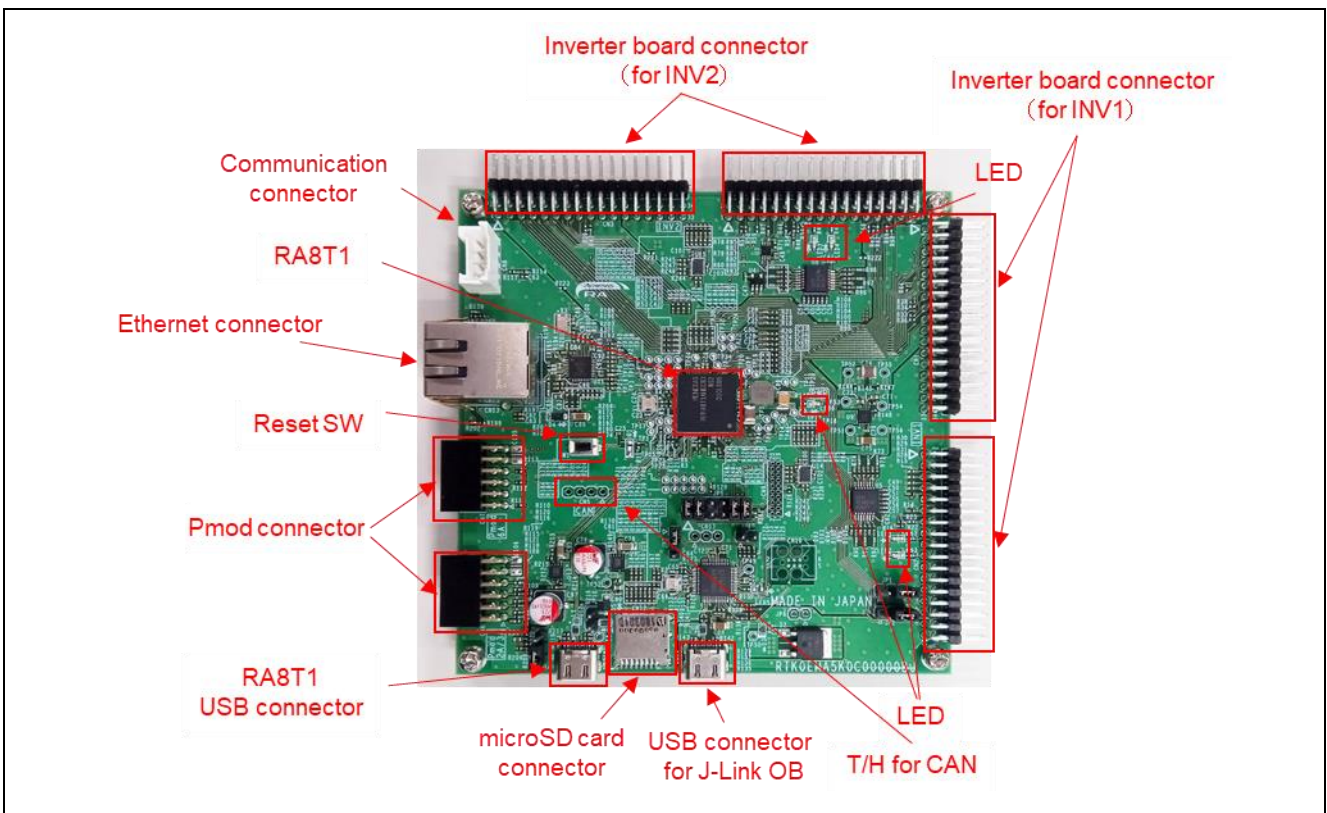


Figure 4-3 CPU Board Layout

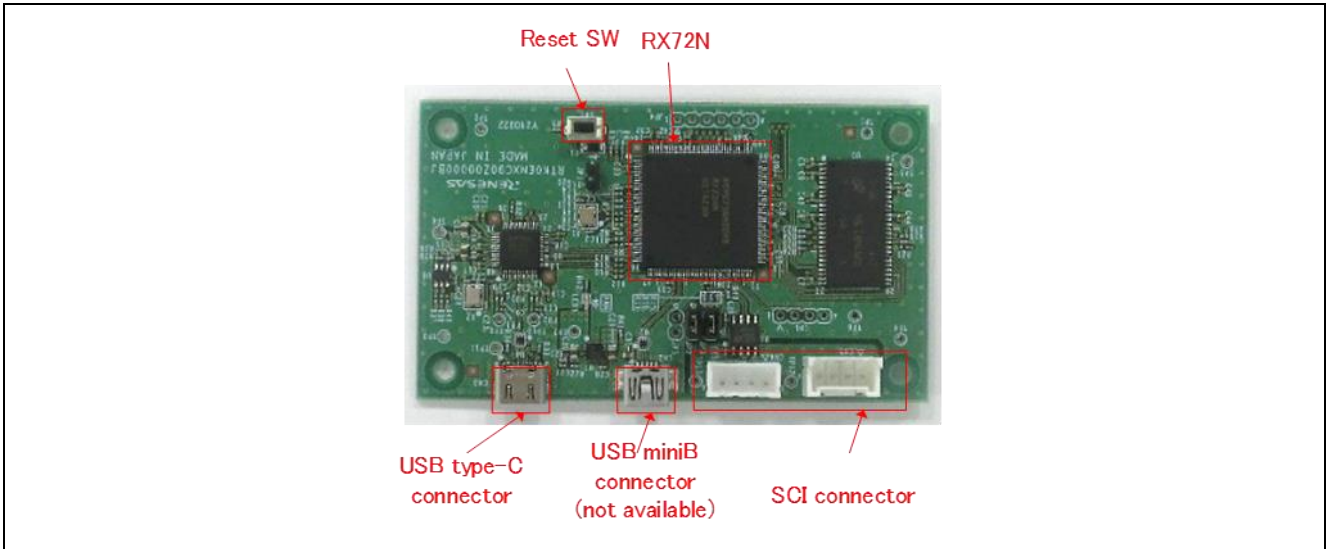


Figure 4-4 Communication board Layout

4.4 Standoffs and Screws

Before using this product, assemble the included standoffs and screws as shown below.

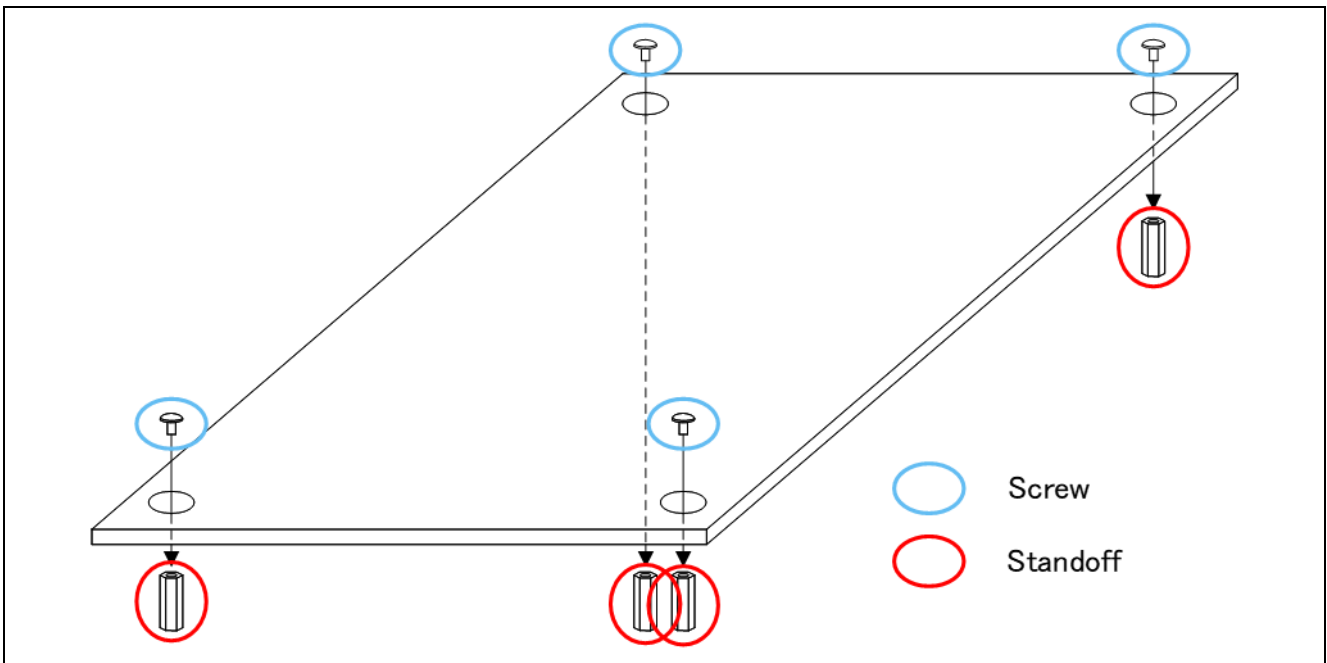


Figure 4-5 Standoffs and Screws assembly

4.5 Jumper pin setting

4.5.1 Inverter board

Default settings and functions of the jumper pins (JP1~JP15) are as follows.

Table 4-5 Jumper pin setting of Inverter board

JP No.	Default setting	Function
JP1	2-3pin short	1-2pin short : Disable 5V regulator 2-3pin short : Enable 5V regulator
JP2, JP3, JP4, JP6, JP12, JP13	2-3pin short	1-2pin short : Disable current detection amplifiers 2-3pin short : Enable current detection amplifiers
JP5, JP7, JP9, JP10, JP14, JP15	1-2pin short	1-2pin short : Current detection amplifier gain = 20 1-2pin open : Current detection amplifier gain = 10
JP8, JP11	1-2pin short	1-2pin short : 2-/3-shunt current detection 2-3pin short : 1-shunt current detection

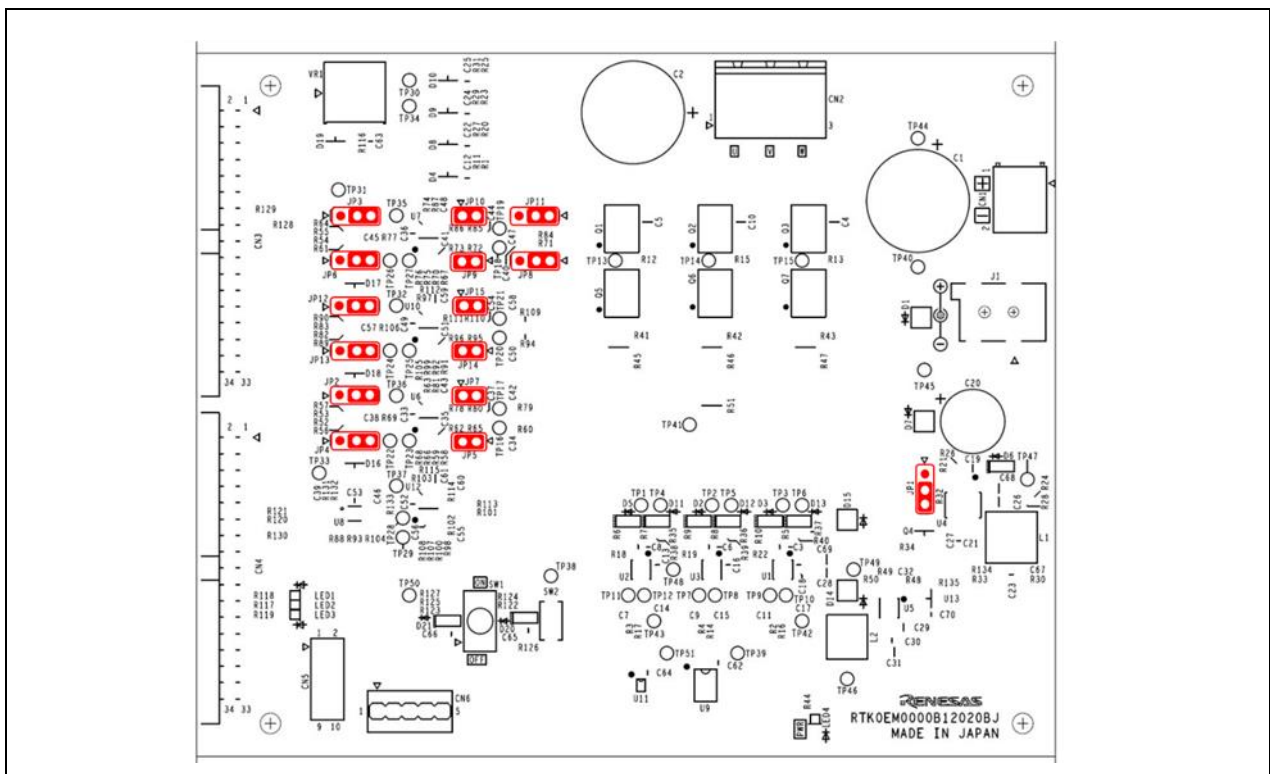


Figure 4-6 Default jumper pin setting of Inverter board

4.5.2 CPU board

Default settings and functions of the jumper pins/registers are as follows.

Table 4-6 Jumper pins/registers setting of CPU board for INV1/INV2

resisters & Jumpers	Function in use												Default setting *3
	INV1						INV2						
	INV1	HV INV1	IPS *1	Encoder	Smart driver *2	PWMSingle GreenPAK use	INV2	HV INV2	IPS *1	Encoder	Smart driver *2	PWMSingle GreenPAK use	
JP1	-	-	1-2	2-3	-	-	-	-	-	-	-	-	2-3
JP2	-	-	1-2	2-3	-	-	-	-	-	-	-	-	2-3
R38	short	DNF	-	-	-	-	-	-	-	-	-	-	short
R34	DNF	short	-	-	-	-	-	-	-	-	-	-	DNF
R44	short	-	-	-	-	-	-	DNF	-	-	-	-	short
R40	DNF	-	-	-	-	-	-	short	-	-	-	-	DNF
R33	short	DNF	-	-	-	-	-	-	-	-	-	-	short
R36	DNF	short	-	-	-	-	-	-	-	-	-	-	DNF
R60	-	-	-	-	-	-	short	-	DNF	short	-	-	short
R62	-	-	-	-	-	-	DNF	-	short	DNF	-	-	DNF
R63	-	-	-	-	-	-	short	-	DNF	short	-	-	short
R67	-	-	-	-	-	-	short	-	DNF	-	-	-	short
R69	-	-	-	-	-	-	DNF	-	short	-	-	-	DNF
R64	-	-	-	-	-	-	short	-	DNF	short	-	-	short
R66	-	-	-	-	-	-	DNF	-	short	DNF	-	-	DNF
R68	-	-	-	-	-	-	short	-	DNF	short	-	-	short
R22	short	DNF	-	-	DNF	-	-	-	-	-	-	-	short
R23	DNF	short	-	-	short	-	-	-	-	-	-	-	DNF
R54	-	-	-	-	-	-	short	DNF	-	-	DNF	-	short
R56	-	-	-	-	-	-	DNF	short	-	-	short	-	DNF
R42	-	-	-	-	-	-	short	DNF	-	-	-	-	short
R39	-	-	-	-	-	-	DNF	short	-	-	-	-	DNF
R50	-	short	-	-	DNF	-	-	short	-	-	DNF	-	DNF
R51	-	DNF	-	-	short	-	-	DNF	-	-	short	-	short

Table 4-7 Jumper pins/registers setting of CPU board for board interface

resisters & Jumpers	Function in use						Default setting *3
	Pmod2A	Pmod3A	SD card	ARM Debugger			
				Only 10pin connector	20pin connector for Trace	On Board Debugger	
JP5	-	open	-	1-2 3-4 9-10 11-12	1-2 3-4 9-10 11-12	-	short
JP6	-	-	-	short	short	open	open
R115,R116,R118	short	DNF	-	-	-	-	short
R119,R120,R121	DNF	short	-	DNF	DNF	-	DNF
R160,R162,R164, R167,R169	-	-	short	-	DNF	-	short

Table 4-8 Jumper registers setting of CPU board for PWM single channel

resisters	Function in use				Default setting *3
	INV1		INV2		
	PWM Single GreenPAK(U14) use	GreenPAK(U14) Programming	PWM Single GreenPAK(U15) use	GreenPAK(U15) Programming	
R224,R225,R226, R227,R228,R229	DNF	-	-	-	short
R248,R249,R250, R251,R252,R253	short	-	-	-	DNF
R236,R237	DNF	short	DNF	DNF	DNF
R230,R231,R232, R233,R234,R235	-	-	DNF	-	short
R254,R255,R256, R257,R258,R259	-	-	short	-	DNF
R238,R239	DNF	DNF	DNF	short	DNF

- : depend on other setting
- DNF : Do Not Fit, do not mount.
- INV1 : connected inverter board to CN1,CN2
- INV2 : connected inverter board to CN3,CN4
- HV INV1 : connected Hi-voltage inverter board with PFC function to CN1,CN2
- HV INV2 : connected Hi-voltage inverter board with PFC function to CN3,CN4
- *1 Inductive position sensor. For example, IPS2200 on INV1/2
- *2 3-phase smart gate driver. For example, RAA227063 on INV1/2
- *3 INV1, INV2, Encoder, Onboard Debugger, SD card, Pmod2A, are available

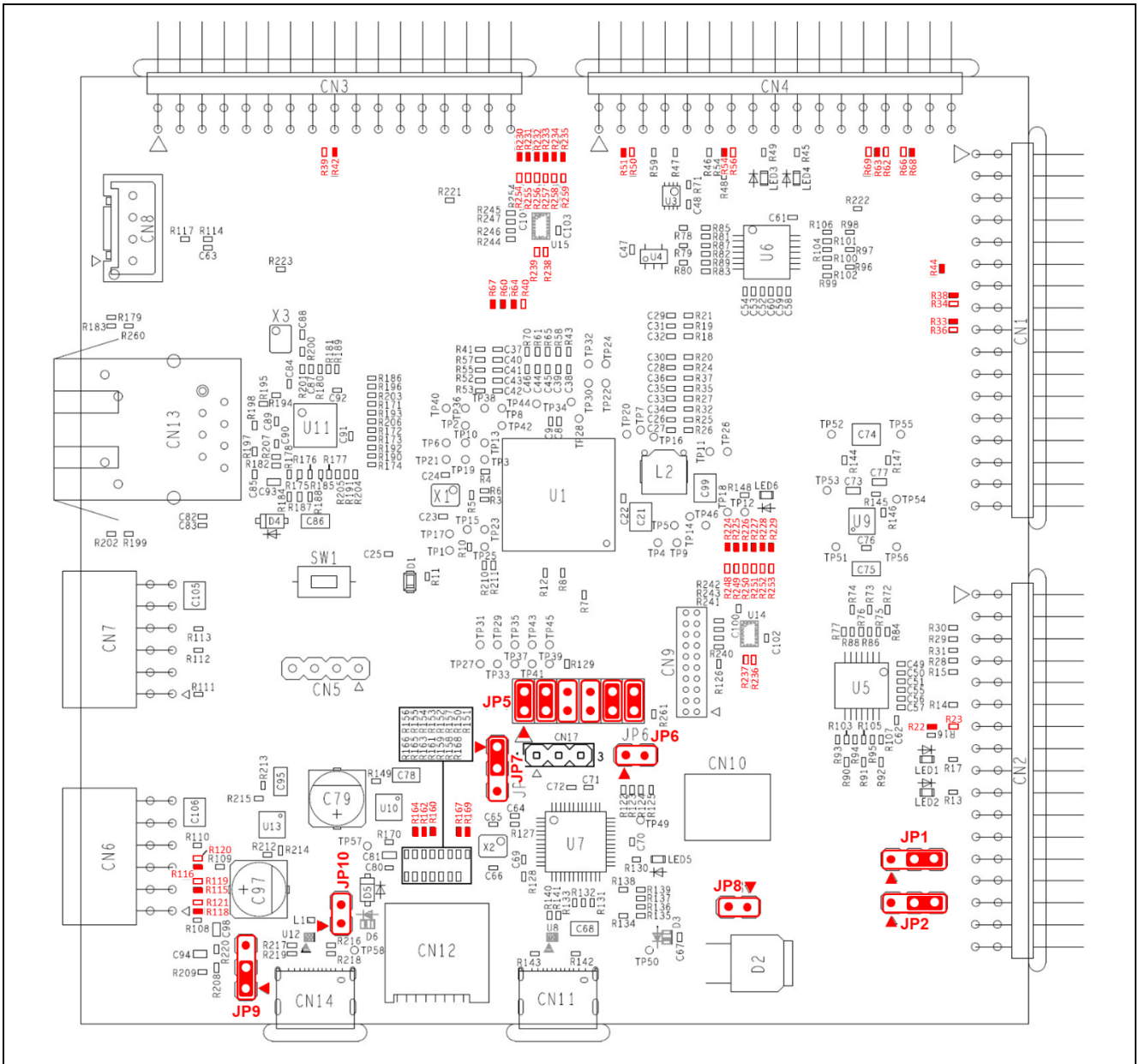


Figure 4-7 Default jumper pin setting of CPU board

4.5.3 Communication board

Default settings and functions of the jumper pins (JP1~JP3) are as follows.

Table 4-9 Jumper pin setting of Communication board

Jumper pin	Default setting	Function
JP1	1-2pin open	1-2pin short : Enable pull-up for MD port (Not available) 1-2pin open : Enable pull-up for MD port
JP2	1-2pin short	1-2pin short : Disable pull-up for GPIO(PC6) 1-2pin open : Enable pull-up for GPIO(PC6)
JP3	1-2pin short	1-2pin short : Disable pull-up for GPIO(PC5) 1-2pin open : Enable pull-up for GPIO(PC5)

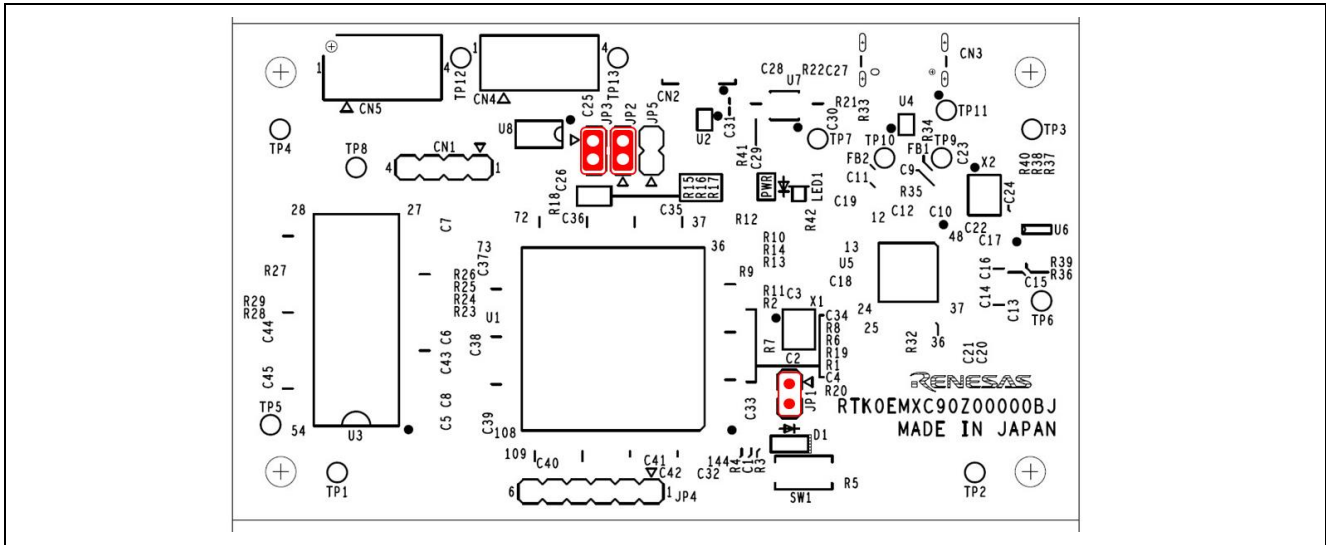


Figure 4-8 Default jumper pin setting of Communication board

4.6 Hardware Setup

4.6.1 Board Connection

When using this product for motor control evaluation, connect the boards as shown in Figure 4-9. Note that the connector between the CPU board and the inverter board is a tight fit, so be careful not to bend the pins when connecting or disconnecting.

Please refer to 4.6.2 for the power supply method. In Figure 4-9 the power is supplied from the AC adaptor. The RA8T1 CPU board supports a maximum of two-motor control and can be connected as shown in Figure 6-2 shown later, if you prepare an additional inverter board and motor.

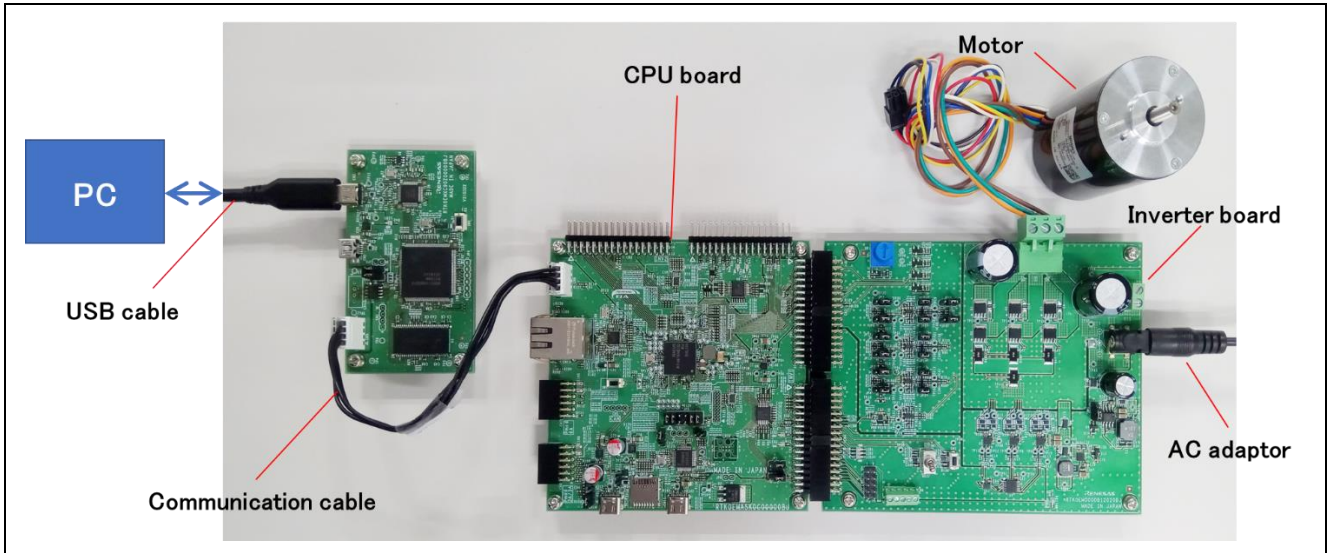


Figure 4-9 Board connection

4.6.2 Power Supply

There are three ways to supply power to the CPU board and inverter board, and the power supply for the communication board is independent of the CPU board and inverter board and is supplied at 5V from the USB connector.

(1) From DC jack

Use an AC adapter or something similar to supply power from the DC jack (J1) on the inverter board. The compatible plug has an outer diameter of 5.5 mm, an inner diameter of 2.1 mm, and a polarity of center positive. The input voltage range is 12 to 48V.

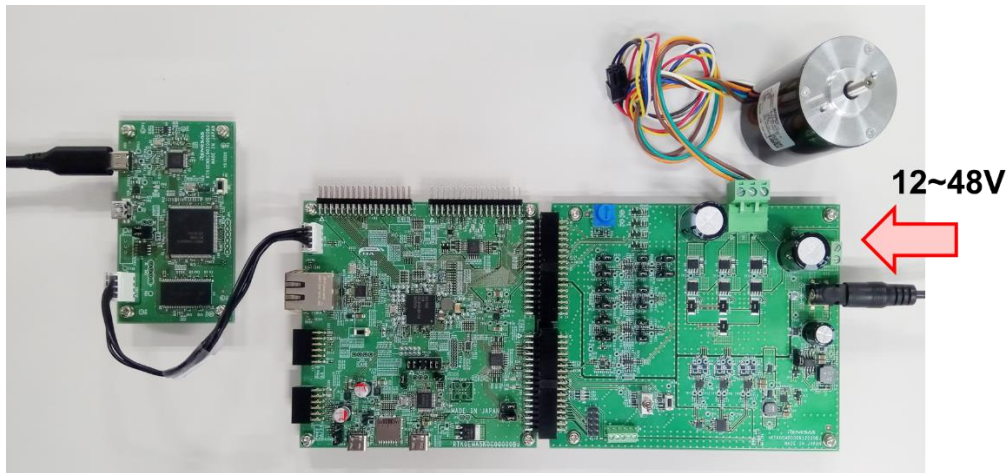


Figure 4-10 Power supply from DC jack

(2) From terminal block

Supply power from the terminal block (CN1) of the inverter board using a DC stabilized power supply or the like. The polarity should follow the silk indication (“+”, “-”) on the board. The input voltage range is 12 to 48V.

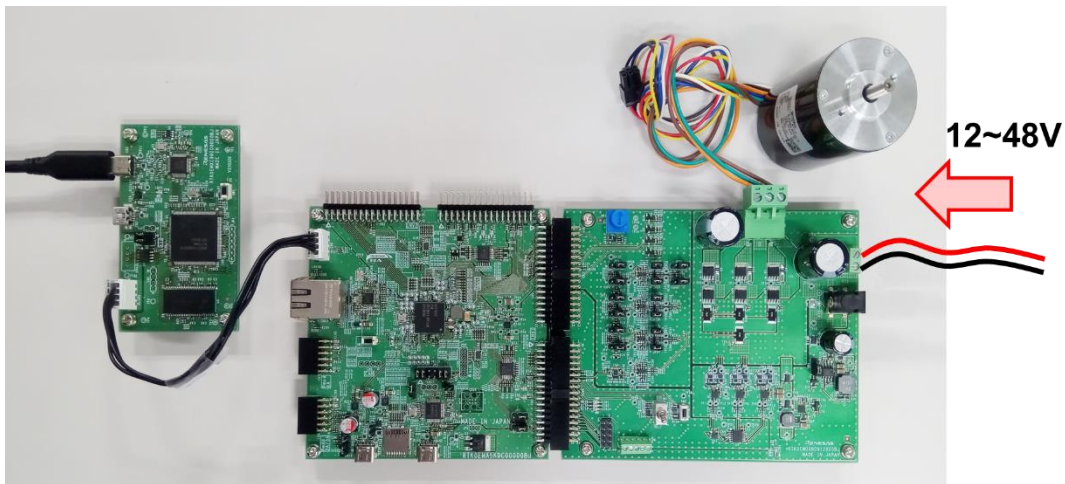


Figure 4-11 Power supply from terminal block

(3) From USB connector

5V power is supplied from the USB connector (Type-C) on the CPU board. Use a USB adapter capable of outputting 1A or more so that the motor can be driven sufficiently.

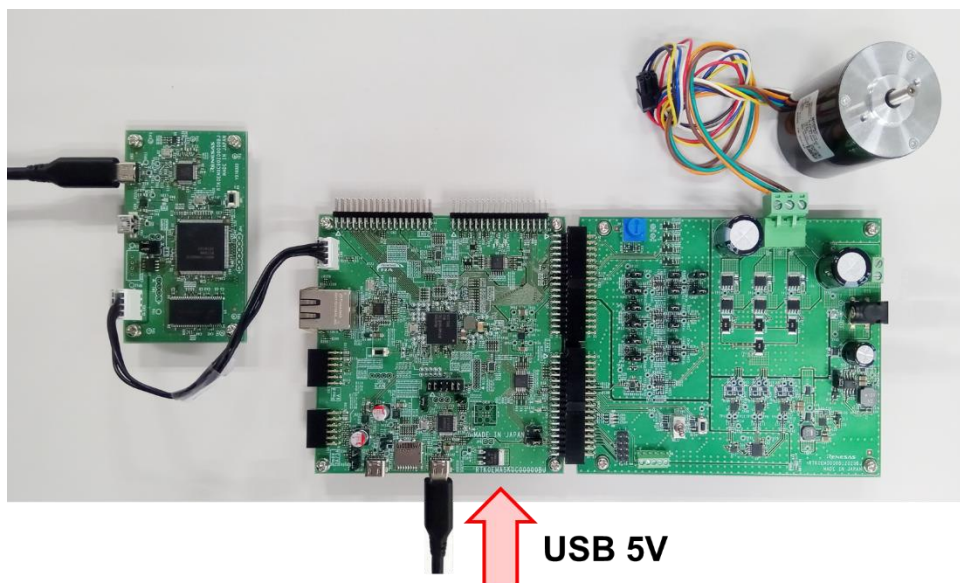


Figure 4-12 Power supply from USB connector

It is also possible to supply power from the USB connector on the CPU board and the DC jack or terminal block on the inverter board at the same time. In this case, the MCU drive voltage of 3.3V and the gate driver drive voltage are generated from the USB supply of 5V, while the motor drive voltage is supplied from the DC jack or terminal block. Please refer to Table 4-10 for the power supply conditions and each voltage generation.

Table 4-10 Power supply and driving voltage generation

			Case 1	Case 2	Case 3
Power supply condition	CPU board	USB 5V *1	✓	-	✓
	Inverter board	External power (12~48V) *2	-	✓	✓
Power source for	CPU board	I/O (3.3V)	[A]	[B]	[A]
		BUS (5V)	[A]	[B]	[A]
	Inverter board	I/O (3.3V)	[A]	[B]	[A]
		BUS (5V)	[A]	[B]	[A]
		Gate driver (11.4V)	[A]	[B]	[A]
	Motor drive (11.4V or 12~48V)	[A]	[B]	[B]	

Power supply condition:

✓ : supplied

- : not supplied

Driving voltage generation

[A]: generated from USB 5V on CPU board

[B]: generated from external power on inverter board

*1 Motor drive current of 1 A or more may be required for each inverter board.

*2 When connecting two inverter boards to the CPU board and also inputting an external power supply to INV2, it is necessary to supply an external power supply (which can be different from INV2) to INV1 as well, or to supply USB 5V to the CPU board.

5. Inverter Board Specification

This section describes inverter board specification.

5.1 Functions

5.1.1 Inverter control circuit block

The inverter board has the inverter control circuit block which controls the motor with 6 POWER MOSFETs. POWER MOSFET is controlled with 6-phase timer output of MCU.

The inverter control circuit block outputs DC bus voltage, U, V and W phase voltage and shunt current to the connectors (CN3, CN4). By inputting these output voltages to A/D of MCU on the CPU card, analog values of the voltage and the shunt current of each phase can be measured. Refer to

5.1.2 for the current detection and refer to 5.1.4 for the voltage detection, respectively. Also function to detect overcurrent from the input current is available. Refer to 5.1.3 for details.

An illustration of the inverter control circuit block is shown in Figure 5-1 . In the actual circuit, some inputs on the A/D pins are via voltage dividers and offsets and so on. Refer to the circuit diagram for details.

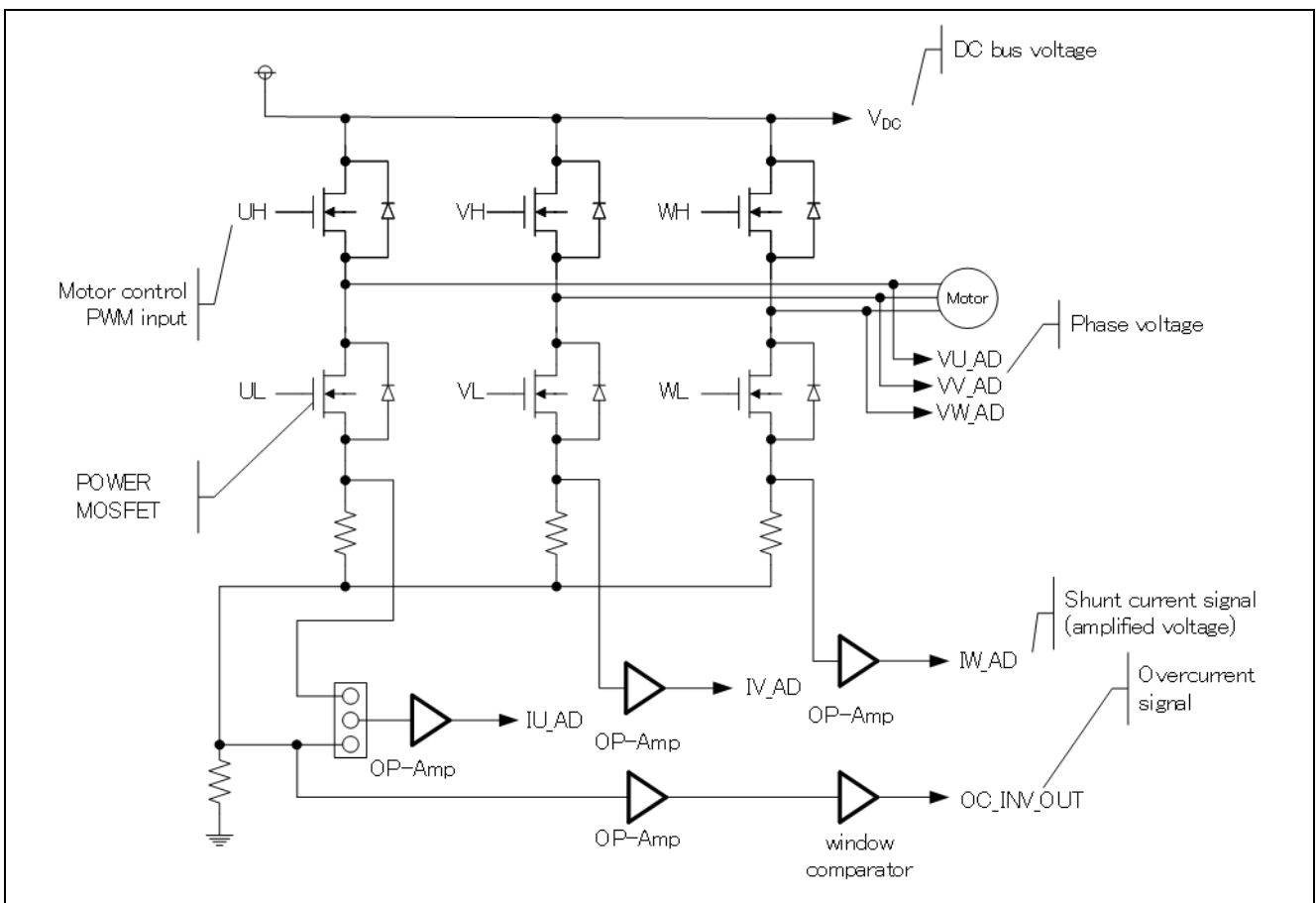


Figure 5-1 Illustration of inverter control circuit block

5.1.2 Current detection circuit

The inverter board has the current detection circuit to measure the current at the U, V and W phase. The current detection circuit uses shunt resistor at each phase. Voltage drop caused by the current flowing through the shunt resistor is amplified by the current detection amplifier to output. The default gain of the current detection amplifier is set to 20x, but the gain can be changed to 10x by setting JP5, JP7, JP9, JP10, JP14, and JP15 to open. The relationship between the current I_{in} flowing through the shunt resistor and the voltage V_{out} output from the current detection circuit is shown in equations (1) and (2). In addition, by switching JP8 and JP11 to 2-3 pin short circuit, one shunt current detection can be supported.

$$\text{Amplifier gain } 10x : V_{out}[V] = I_{in}[A] \times R_s[\Omega] \times 10 + AVCC/2 \quad (1)$$

$$\text{Amplifier gain } 20x : V_{out}[V] = I_{in}[A] \times R_s[\Omega] \times 20 + AVCC/2 \quad (2)$$

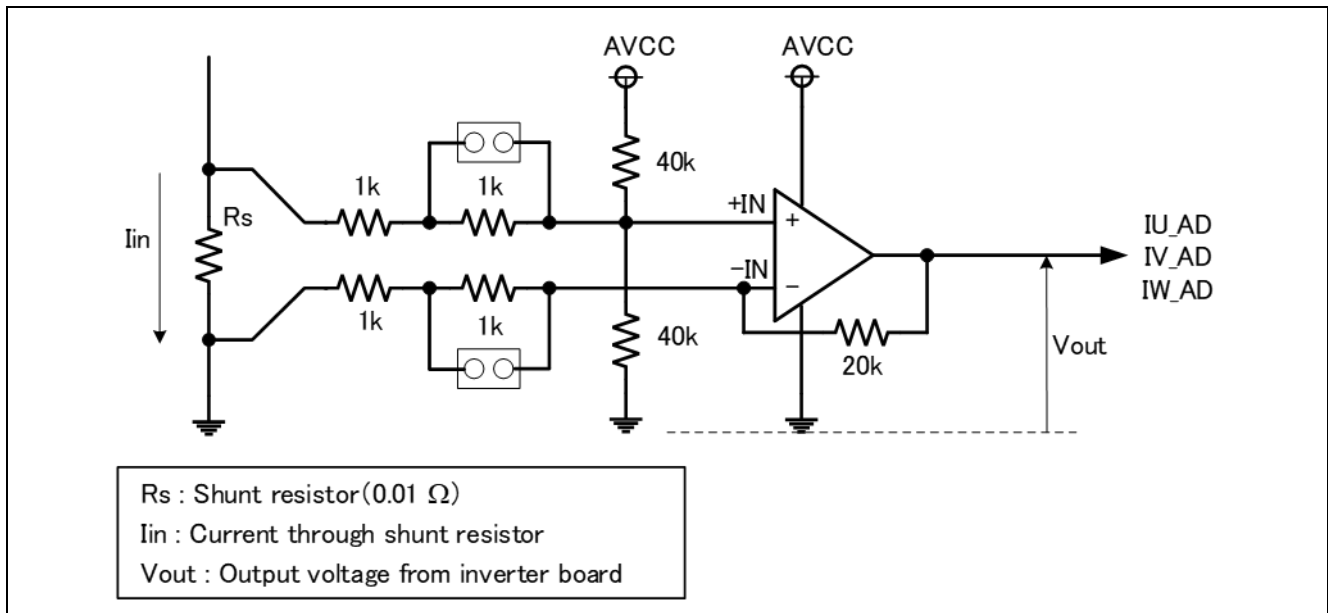


Figure 5-2 Current detection circuit

5.1.3 Overcurrent detection circuit

Detect the overcurrent from the input current, using the overcurrent detection circuit illustrated in Figure 5-3. If the current value is within the range of threshold, OC_INV_OUT is HIGH, and this changes to LOW if overcurrent is detected. Therefore, you can protect the board and motor by monitoring the over current detection signal and setting PWM signals for gate driver to LOW or Hi-Z if the over current detection signal changes to LOW. As the value of the shunt resistor R_s is 10 mohm, the threshold current for over current detection is 21.4A for AVCC=3.3V and 32.4A for AVCC=5.0V, respectively.

The overcurrent detection circuit does not directly protect the board and motor. Protect them by performing appropriate processing with equipment such as microcontroller.

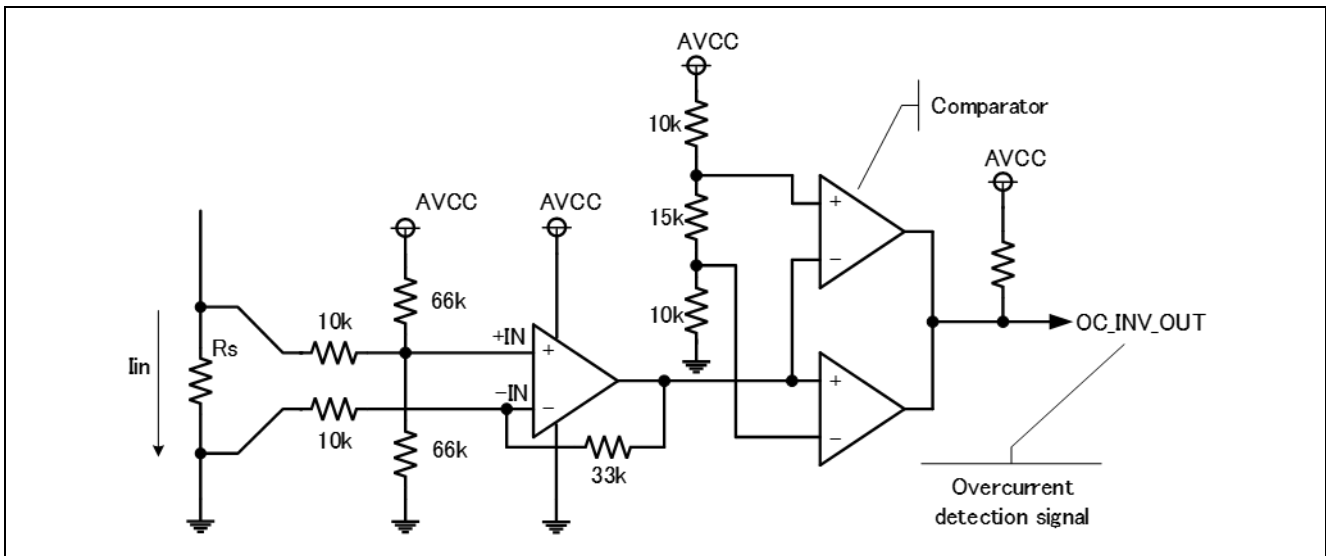


Figure 5-3 Overcurrent detection circuit

5.1.4 Output voltage detection circuit

The INV-BRD has the circuit that inputs bus voltage and three-phase output voltage (U, V and W phase) into the AD pin of the microcontroller through resistive voltage divider. Relation between the three-phase output voltage, the bus voltage and the detection voltage is described by the below equation (3).

$$V_{out}[V] = \frac{470}{10 \times 10^3 + 470} \times V_{in}[V] \quad (3)$$

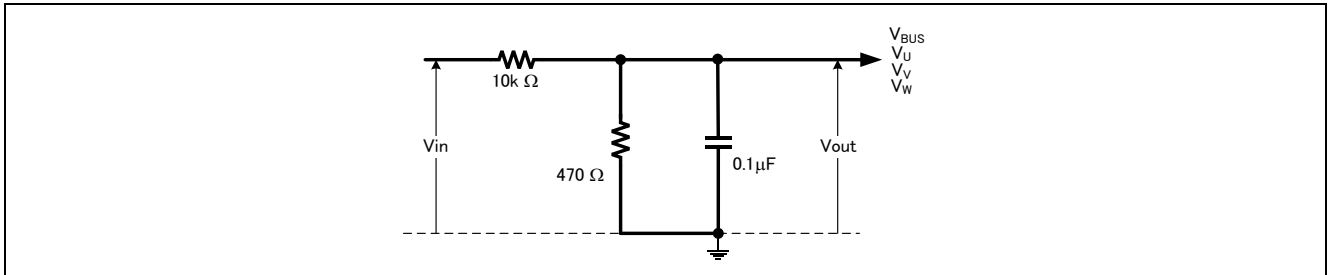


Figure 5-4 Output voltage detection circuit

5.1.5 Voltage generation circuit

On the INV-BRD, the gate driver voltage ("+12V" in the schematic) is generated from the 5V power supply ("+5V" in the schematic) with the boost converter. If 5V is not supplied from the CPU board, the buck converter on the INV-BRD generates 5V from the voltage input (12 to 48V) from the DC jack or terminal block.

Table 5-1 Voltage generation

Item	Input voltage [V]	Output voltage (TYP.) [V]	Output current (Max) [A]
5V generation	12~48	5	0.6
Gate driver voltage generation	5	11.4	-

5.1.6 LED

The INV-BRD has three LEDs which the user can control. The LED ON/OFF is controlled by the pin state.

Table 5-2 LED

Connector pin		LED1	LED2	LED3
CN4-18	HIGH	OFF	-	-
	LOW	ON	-	-
CN4-19	HIGH	-	OFF	-
	LOW	-	ON	-
CN4-20	HIGH	-	-	OFF
	LOW	-	-	ON

5.1.7 Toggle switch and push switch

The INV-BRD has toggle switch (SW1) and push switch (SW2). The pin voltage is controlled by the state of them.

Table 5-3 Toggle switch and push switch

Connector pin		SW1	SW2
CN4-16	HIGH	ON	-
	LOW	OFF	-
CN4-17	HIGH	-	RELEASE
	LOW	-	PUSH

5.1.8 Variable resistor

The INV-BRD has a variable resistor (VR1). If turning the variable resistor clockwise, terminal voltage of the variable resistor (CN3-17) becomes low. If turning it counterclockwise, the voltage becomes high.

Table 5-4 Variable resistance specification

Item	Specification
Input voltage range	0~AVCC
Variable resistor range	0~10kΩ

5.2 Pin assignment

5.2.1 CPU board connector

Table 5-5 CPU board connector (CN3)

Pin No.	Output direction	Signal
1	-	SPARE1
2	-	AGND
3	To CPU	DC bus voltage detection
4	-	AGND
5	To CPU	U-phase current detection
6	To CPU	U-phase current detection (PGAVSS)
7	To CPU	V-phase current detection
8	To CPU	V-phase current detection (PGAVSS)
9	To CPU	W-phase current detection
10	To CPU	W-phase current detection (PGAVSS)
11	To CPU	U-phase voltage detection
12	To CPU	V-phase voltage detection
13	To CPU	W-phase voltage detection
14	-	AGND
15	To CPU	VPFC_AD
16	To CPU	IPFC_AD
17	To CPU	VR1
18	-	AGND
19	-	AVCC
20	-	AVCC
21	-	AGND
22	-	AGND
23	-	VCC
24	-	VCC
25	-	DGND
26	-	DGND
27	To INV	PWM U-phase (Lower)
28	-	DGND
29	To INV	PWM U-phase (Upper)
30	-	DGND
31	To INV	PWM V-phase (Lower)
32	-	DGND
33	To INV	PWM V-phase (Upper)
34	-	DGND

Table 5-6 CPU board connector (CN4)

Pin No.	Output direction	Signal
1	To INV	PWM W-phase (Lower)
2	-	DGND
3	To INV	PWM W-phase (Upper)
4	-	DGND
5	-	SPARE2
6	-	SPARE3
7	-	SPARE4
8	-	SPARE5
9	To INV	Bus power signal from CPU board
10	To CPU	Inverter connected signal
11	To CPU	Save interlock signal
12	To CPU	Over current detection
13	To CPU	OC_PFC_OUT
14	To INV	PWM_IN
15	To INV	RELAY_IN
16	To CPU	SW1
17	To CPU	SW2
18	To INV	LED1
19	To INV	LED2
20	To INV	LED3
21	To CPU	HALL U
22	To CPU	HALL V
23	To CPU	HALL W
24	To CPU	IPS_SIO_SDA
25	To CPU	IPS_SCK_SCL
26	To CPU	IPS_CSN_IRQN/Encoder Z
27	To CPU	IPS_A/ Encoder A
28	To CPU	IPS_A#/ Encoder A#
29	To CPU	IPS_B/ Encoder B#
30	To CPU	IPS_B#/ Encoder B#
31	-	AGND
32	-	AGND
33	-	+5V
34	-	+5V

5.2.2 Hall sensor signal input

This product has connector for hall sensor signal input. Pin assignment of it is listed in Table 5-7.

Table 5-7 Connector for hall sensor signal input (CN6) pin assignment

Pin No.	Pin Function
1	DGND
2	+5V
3	HALL_W
4	HALL_V
5	HALL_U

5.2.3 Encoder/Inductive position sensor signal input

This product has pins for encoder/inductive position sensor signal input. Pin assignment for them is listed in Table 5-8.

Table 5-8 Pins for encoder/inductive position sensor signal input (CN5) pin assignment

Pin No.	Pin function
1	VCC
2	+5V
3	CSN_IRQN/ENC_Z
4	SIO_SDA
5	SCK_SCL
6	IPS_A/ENC_A
7	IPS_A#/ENC_A#
8	IPS_B/ENC_B
9	IPS_B#/ENC_B#
10	DGND

6. CPU Board Specification

This section describes the specification of the CPU Board.

6.1 Functions

6.1.1 Power supply

When not connected to the inverter board, power should be supplied from the USB connector(CN11). When connecting to the inverter board, power supply from the USB connector or from the inverter board will be automatically selected. USB power supply has priority.

6.1.2 Onboard debugger

This product has the onboard debugger circuit, J-Link On-Board (hereinafter called “J-Link-OB”). You can write a program (firmware) of RA8T1 with it. When you write a program, connect the CPU board to PC with USB cable. J-Link-OB operates as debugger equivalent to J-Link. If connecting from Integrated Development Environment (e.g. e2studio) or flash programming tool (e.g. Renesas Flash Programmer), set the type of debugger (tool) to “J-Link”.

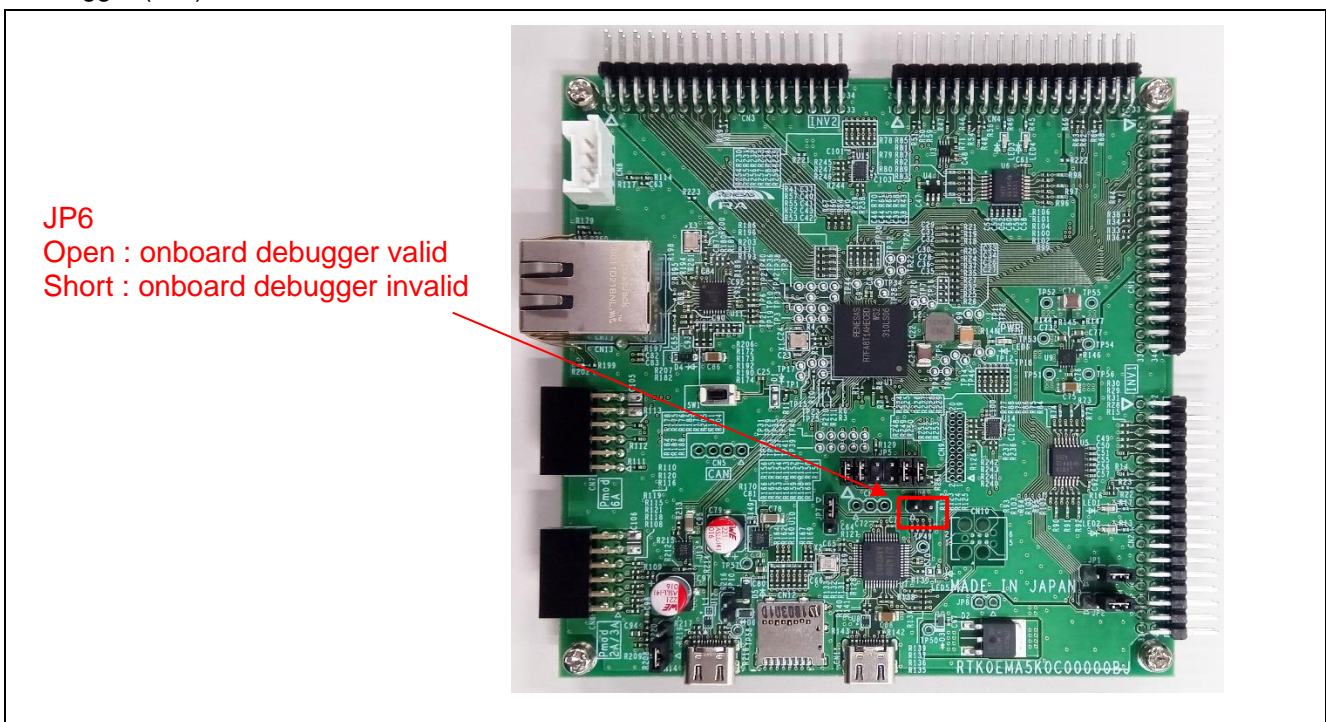


Figure 6-1 Jumper setting of JP6

6.1.3 J-Link Virtual COM Port

This product supports J-Link Virtual COM Port. By connecting to a PC with USB connector (CN11), a virtual COM port via USB is available.

6.1.4 USB IF

This product has a USB connector (CN14) for the USB Full-Speed module in RA8T1.

6.1.5 Inverter board connector

Max 2 inverter boards can be connected to this product. 1st inverter board is connected with CN1 and CN2, and 2nd inverter board is connected with CN3 and CN4. The pin assignments of the connectors are shown in Table 6-1, Table 6-2, Table 6-3, Table 6-4.

Table 6-1 1st inverter board connector (CN1) pin assignment

Pin No.	Pin Function	RA8T1Pin	Pin No.	Pin Function	RA8T1 Pin
1	NC	-	2	AGND	- (AVSS)
3	VPN	P008/AN008	4	AGND	- (AVSS)
5	IU	P004/AN000	6	NC	-
7	IV	P005/AN001	8	NC	-
9	IW	P006/AN002	10	NC	-
11	VU	P011/AN106 (*)	12	VV	P010/AN005 (*)
13	VW	P015/AN105 (*)	14	AGND	- (AVSS)
15	VPFC	P015/AN105 (*)	16	IPFC	P010/AN005 (*)
17	VR	P014/AN007	18	AGND	- (AVSS)
19	AVCC	- (AVCC)	20	AVCC	- (AVCC)
21	AGND	- (AVSS)	22	AGND	- (AVSS)
23	VCC	- (VCC)	24	VCC	- (VCC)
25	GND	- (VSS)	26	GND	- (VSS)
27	UN	P609/GTIOC5B	28	GND	- (VSS)
29	UP	P115/GTIOC5A	30	GND	- (VSS)
31	VN	P114/GTIOC2B	32	GND	- (VSS)
33	VP	P113/GTIOC2A	34	GND	- (VSS)

(*) Exclusively assigned by jumper register setting

Table 6-2 1st inverter board connector (CN2) pin assignment

Pin No.	Pin Function	RA8T1Pin	Pin No.	Pin Function	RA8T1 Pin
1	WN	P112/GTIOC3B	2	GND	- (VSS)
3	WP	P300/GTIOC3A	4	GND	- (VSS)
5	DRV_SCK	P102/RSPCKB	6	DRV_RXD	P101/MOSIB
7	DRV_TXD	P100/MISOB	8	DRV_CS	P106/SSLB3
9	BUS_POWER_IN	-	10	INV_CONNECTED	PA08
11	SAFE_LOCK	P612	12	OC#	P613/GTETRGA (*)
13	OC#	P613/GTETRGA (*)	14	DRV_EN	P410
15	Relay	PA11	16	SW1	PA15
17	SW2	PA13	18	LED1	PA12
19	LED2	PA14	20	NC	-
21	HALL_U	P907/IRQ10	22	HALL_V	P905/IRQ8
23	HALL_W	P906/IRQ9	24	SIO_SDA	P206/SDA1
25	SCK_SCL	P205/SCL1	26	ENC_Z	P615/GTETRGC
27	IPS_A ENC_A	P502/AN019 (*) P903/GTIOC11A (*)	28	IPS_A#	P500/AN121
29	IPS_B ENC_B	P501/AN120 (*) P904/GTIOC11B (*)	30	IPS_B#	P812/AN122
31	GND	- (VSS)	32	GND	- (VSS)
33	+5V	-	34	+5V	-

(*) Exclusively assigned by jumper register setting

Table 6-3 2nd inverter board connector (CN3) pin assignment

Pin No.	Pin Function	RA8T1Pin	Pin No.	Pin Function	RA8T1 Pin
1	NC	-	2	AGND	- (AVSS)
3	VPN	P000/AN100	4	AGND	- (AVSS)
5	IU	P513/AN016	6	NC	-
7	IV	P001/AN101	8	NC	-
9	IW	P002/AN102	10	NC	-
11	VU	P003/AN104 (*)	12	VV	P806/AN018 (*)
13	VW	P805/AN017 (*)	14	AGND	- (AVSS)
15	VPFC	P011/AN106 (*)	16	IPFC	P009/AN006 (*)
17	VR	P009/AN006 (*)	18	AGND	- (AVSS)
19	AVCC	- (AVCC)	20	AVCC	- (AVCC)
21	AGND	- (AVSS)	22	AGND	- (AVSS)
23	VCC	- (VCC)	24	VCC	- (VCC)
25	GND	- (VSS)	26	GND	- (VSS)
27	UN	P803/GTIOC12B	28	GND	- (VSS)
29	UP	P802/GTIOC12A	30	GND	- (VSS)
31	VN	P602/GTIOC7B	32	GND	- (VSS)
33	VP	P603/GTIOC7A	34	GND	- (VSS)

(*) Exclusively assigned by jumper register setting

Table 6-4 2nd inverter board connector (CN4) pin assignment

Pin No.	Pin Function	RA8T1Pin	Pin No.	Pin Function	RA8T1 Pin
1	WN	P600/GTIOC6B	2	GND	- (VSS)
3	WP	P601/GTIOC6A	4	GND	- (VSS)
5	DRV_SCK	P102/RSPCKB	6	DRV_RXD	P101/MOSIB (*) P105/GTIOC1A (*)
7	DRV_TXD	P100/MISOB	8	DRV_CS	P104/SSLB1
9	BUS_POWER_IN	-	10	INV_CONNECTED	P810
11	SAFE_LOCK	P809	12	OC#	P804/GTETRGD (*)
13	OC#	P804/GTETRGD (*)	14	DRV_EN	P808
15	Relay	P605	16	SW1	P604
17	SW2	P504	18	LED1	P606
19	LED2	PA06	20	NC	-
21	HALL_U	PA10/IRQ4	22	HALL_V	P801/IRQ12
23	HALL_W	PA09/IRQ5	24	SIO_SDA	P206/SDA1
25	SCK_SCL	P205/SCL1	26	ENC_Z	P614/GTETRGB
27	IPS_A ENC_A	P003/AN104 (*) P610/GTIOC4A (*)	28	VV	P806/AN018 (*)
29	IPS_B ENC_B	P805/AN017 (*) P611/GTIOC4B (*)	30	IPS_B#	P007/AN004
31	GND	- (VSS)	32	GND	- (VSS)
33	+5V	-	34	+5V	-

(*) Exclusively assigned by jumper register setting

Figure 6-2 show a connection example when using this product with the inverter board and the communication board. And also see 4.6.2 for power supply.

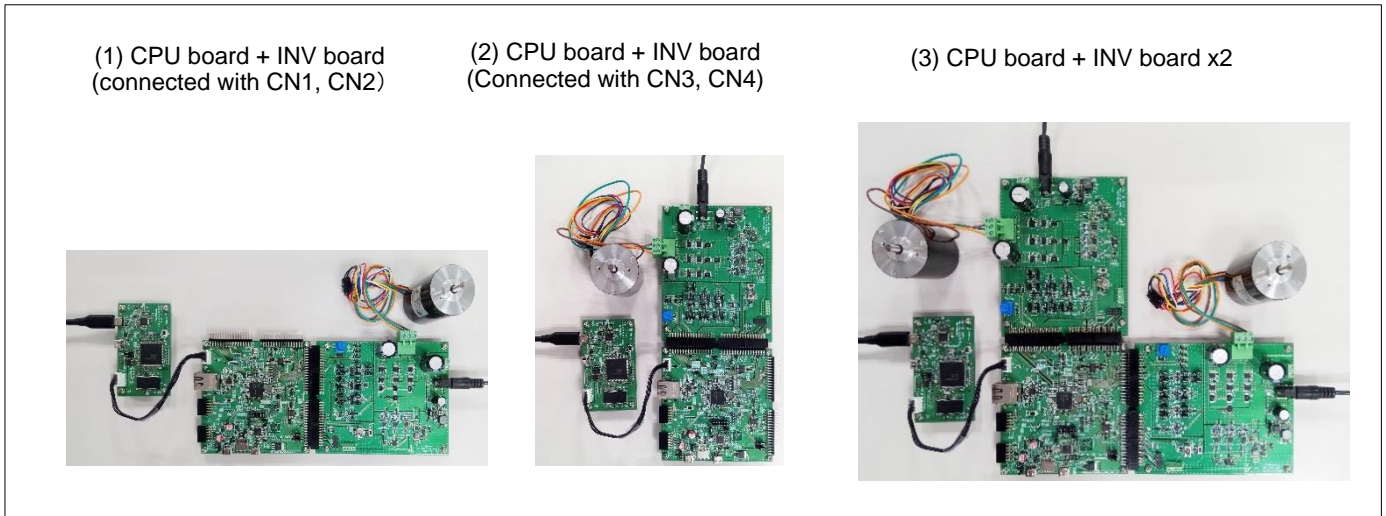


Figure 6-2 Board connection of CPU board, INV board and COM board

6.1.6 Serial communication

For serial communication using Renesas Motor Workbench, the CPU board has SCI connector. Pin assignment for SCI connector is listed in Table 6-5.

Table 6-5 SCI connector (CN8) pin assignment

Pin No.	Pin Function	RA8T1 Connection Pin
1	GND	-
2	MCU RXD	P715/RXD4
3	MCU TXD	P714/TXD4
4	VCC	-

6.1.7 Reset circuit

This product has a reset circuit to enable power-on reset or external reset on MCU. Push the tact switch (SW1) to externally reset MCU.

6.1.8 LED

This product has 4 controllable LEDs, so that they can be used for program debug and the system. LED switches “ON” when output from the corresponding port is “LOW” and switches “OFF” when output is “HIGH”. Pin assignment for corresponding LEDs is listed in Table 6-6.

Table 6-6 LED pin assignment

RA8T1 port		LED1	LED2	LED3	LED4
PA12	Output HIGH	OFF	-	-	-
	Output LOW	ON	-	-	-
PA14	Output HIGH	-	OFF	-	-
	Output LOW	-	ON	-	-
P606	Output HIGH	-	-	OFF	-
	Output LOW	-	-	ON	-
PA06	Output HIGH	-	-	-	OFF
	Output LOW	-	-	-	ON

6.1.9 CAN Communication

This product has through holes for CAN communication. Note that CAN driver is not equipped. Pin assignment for CAN communication connector is listed in Table 6-7.

Table 6-7 CAN communication pin assignment (CN5)

Pin No.	RA8T1 pin
1	VCC
2	P415/CTX1
3	P414/CRX1
4	VSS

6.1.10 Pmod

This product has two connectors for Pmod module connection. Pin assignments are shown in Table 6-8 and Table 6-9.

Table 6-8 Pmod Type 2A/3A connector pin assignment (CN6)

Pin No.	RA8T1 port	Pin No.	RA8T1 port
1	P204_SSLA0 (P210_CTS) (*)	7	P708
2	P202_MOSIA (P209_TXD9) (*)	8	P412
3	P313_MISOA (P208_RXD9) (*)	9	P411
4	P203_RSPCKA	10	P902
5	VSS	11	VSS
6	VCC	12	VCC

(*) default setting is Pmod 2A, select 3A with jumper register. 3A assignment is in brackets.

Table 6-9 Pmod Type 6A connector pin assignment (CN7)

Pin No.	RA8T1 port	Pin No.	RA8T1 port
1	P908_IRQ11	7	P712
2	P710	8	P413
3	P205_SCL1	9	P207
4	P206_SDA1	10	P315
5	VSS	11	VSS
6	VCC	12	VCC

6.2 RA8T1 pin function list

Table 6-10 RA8T1 pin function list

Pin No.	RA8T1 pin function	Signal function
A2	P301/SD0DAT3	SDHI
A3	P304/SD0DAT0/TDATA3	SDHI,ARM debugger
A4	P306/SD0CD/TDATA1	SDHI,ARM debugger
A5	P308/SD0CLK/TCLK	SDHI,ARM debugger
A6	P905/IRQ8	INV1 HALL_V
A7	P909	TP43
A8	VCL2	system
A9	RES	ARM debugger
A10	P314	TP27
A11	P202/MOSIA	Pmod2A
A12	P204/SSLA0	Pmod2A
A13	VCC_USB	GND
A14	USB_DP	USB
A15	P413	Pmod2A,Pmod3A(GPIO)
B1	P609/GTIOC5B	INV1 PWM_UL
B2	P112/GTIOC3B	INV1 PWM_WL
B3	P302/SD0DAT2	SDHI
B4	P305/SD0WP/TDATA2	SDHI,ARM debugger
B5	P307/SD0CMD/TDATA0	SDHI,ARM debugger
B6	P311	SDHI
B7	P907/IRQ10	INV1 HALL_U
B8	P200	TP35
B9	P901	TP31
B10	P313/MISOA	Pmod2A
B11	P203/RSPCKA	Pmod2A,Pmod3A
B12	P205/SCL1	Pmod6A
B13	VSS_USB	GND
B14	USB_DM	USB
B15	P408/USB_VBUSEN	USB
C1	PA14	INV1 LED2
C1	P114/GTIOC2B	INV1 PWM_VL
C3	P113/GTIOC2A	INV1 PWM_VH
C4	P303/SD0DAT1	SDHI
C5	P915	ARM debugger
C6	P309/RXD3	ARM debugger
C7	P906/IRQ9	INV1 HALL_W
C8	P908/IRQ11	Pmod6A
C9	P903/GTIOC11A	INV1 ENC_A
C10	P900	TP29
C11	P315	Pmod2A,Pmod3A(GPIO)
C12	VSS2	GND
C13	P207	Pmod2A,Pmod3A(GPIO)
C14	P415/CTX1	CAN
C15	P412	Pmod6A(GPIO)
D1	P611/GTIOC4B	INV2 ENC_B
D2	PA12	INV1 LED1
D3	P115/GTIOC5A	INV1 PWM_UH
D4	PA11	Smart Driver (INV1 SEL)/HV1_Relay
D5	P300/GTIOC3A	INV1 PWM_WH
D6	P310/TXD3	ARM debugger
D7	P312/CTS_RTS3	ARM debugger
D8	SWDIO	ARM debugger
D9	P904/GTIOC11B	INV1 ENC_B
D10	P902	Pmod6A(GPIO)
D11	P206/SDA1	Pmod6A
D12	P407/USB_VBUS	USB

Pin No.	RA8T1 pin function	Signal function
D13	P411	Pmod6A(GPIO)
D14	P410/GTIOC9B	Smart Driver (INV1 EN)/HV1_PWM_PFC
D15	P414/CRX1	CAN
E1	PA09/IRQ5	INV2 HALL_W
E2	P613/GTETRGA	INV1 OverCurrent/Smart Driver (INV1 nFault)/HV1_OC_PFC
E3	P615/GTETRGC	INV1 ENC_Z
E4	P610/GTIOC4A	INV2 ENC_A
E5	PA13	INV1 SW2
E6	P911	TP39
E7	P910	TP41
E8	P913	TP33
E9	P201/MD	ARM debugger
E10	P211/SWCLK	ARM debugger
E11	P409/USB_OVRCURA	USB
E12	P712	Pmod2A,Pmod3A(GPIO)
E13	P708	Pmod6A(GPIO)
E14	P710	Pmod6A(GPIO)
E15	P709	TP1
F1	VCL3	system
F2	PA10/IRQ4	INV2 HALL_U
F3	P612	INV1 Safe Lock
F4	P614/GTETRGB	INV2 ENC_Z
F5	PA15	INV1 SW1
F6	P914	TP45
F7	P912	TP37
F8	P208/TDI/RXD9	ARM debugger, Pmod3A
F9	P209/TDO/TXD9	ARM debugger, Pmod3A
F10	P711	TP25
F11	P715/RXD4	RMW
F12	VCC2	VCC
F13	VCC_USBHS	GND
F14	USBHS_DM	NC
F15	USBHS_DP	NC
G1	VCC_DCDC1	VCC
G2	VCC_DCDC2	VCC
G3	PA08	INV1 Inverter Connected
G4	PA03	TP9
G5	PA07	TP4
G6	VCL5	system
G7	VSS10	GND
G8	VSS3	GND
G9	VCC3	VCC
G10	P714/TXD4	RMW
G11	P713	TP23
G12	VCC1	VCC
G13	USBHS_RREF	NC
G14	VSS_USBHS2	GND
G15	VSS_USBHS1	GND
H1	VLO1	system
H2	VLO2	system
H3	PA01	PWMOE#_1
H4	PA00	TP12
H5	PA05	TP5
H6	VCL6	system
H7	VSS11	GND
H8	VSS4	GND
H9	VCC4	VCC
H10	PB04	TP15
H11	PB05	TP17

Pin No.	RA8T1 pin function	Signal function
H12	VSS1	GND
H13	AVCC_USBHS	VCC
H14	XTAL	24MHz
H15	EXTAL	24MHz
J1	VSS_DCDC	GND
J2	VSS8	GND
J3	VCC8	VCC
J4	P607	TP14
J5	P813	TP46
J6	VCC5	VCC
J7	VSS5	GND
J8	VSS8	GND
J9	VCC7	VCC
J10	PB02	TP3
J11	PB06	TP19
J12	PB07	TP21
J13	VSS9	GND
J14	XCOU	NC
J15	XCIN	XCIN
K1	P107	TP16
K2	P106/SSLB3	Smart Driver (INV1 CS)
K3	P600/GTIOC6B	INV2 PWM_WL
K4	P601/GTIOC6A	INV2 PWM_WH
K5	P605	Smart Driver (INV2 SEL)/HV2_Relay
K6	PA02	TP11
K7	P503	TP24
K8	P505	TP26
K9	P511	TP44
K10	P704/RMIIORXER_	Ether
K11	P707	TP8
K12	P704/RMIIORXER_	Ether
K13	P706	TP6
K14	VBATT	VCC
K15	VCL1	system
L1	P104/SSLB1	Smart Driver (INV2 CS)
L2	P103	TP18
L3	P105/GTIOC1A	HV2_InterleavePWM_PFC
L4	P602/GTIOC7B	INV2 PWM_VL
L5	PA06	INV2 LED2
L6	PA04	TP7
L7	P507	TP28
L8	P509	TP32
L9	P009/AN006	INV2 VR /INV2 IPFC
L10	P404	TP2
L11	P703/RMIIORXD1	Ether
L12	P701/REF50CK0	Ether
L13	P702/RMIIORXD0	Ether
L14	PB00	TP10
L15	PB01	Ether
M1	P102/RSPCKB	Smart Driver (SCK)
M2	P101/MOSIB/GTIOC8A	Smart Driver (MOSI)/HV1_InterleavePWM_PFC
M3	P800	TP20
M4	P603/GTIOC7A	INV2 PWM_VH
M5	P606	INV2 LED1
M6	P811	TP22
M7	P508	TP30
M8	P010/AN005	INV1 VV /INV1 IPFC
M9	P011/AN106	INV1 VU /INV2 VPFC
M10	P007/AN004	INV2 IPS_B#

Pin No.	RA8T1 pin function	Signal function
M11	P805/AN017	INV2 VW/INV2 IPS_B
M12	P402/ET0MDIO	Ether
M13	P406/RMIIOTXD1	Ether
M14	P700/RMIIOTXD0	Ether
M15	PB03	TP13
N1	P100/MISOB	Smart Driver (MISO)
N2	P801/IRQ12	INV2 HALL_V
N3	P803/GTIOC12B	INV2 PWM_UL
N4	P604	INV2 SW1
N5	P504	INV2 SW2
N6	P506	PWMOE#_2
N7	P510	TP34
N8	AVCC0	AVCC
N9	AVSS0	AGND
N10	P005/AN001	INV1 IV
N11	P806/AN018	INV2 VV/INV2 IPS_A#
N12	P807	TP36
N13	P512	TP40
N14	P403/ET0/LINKSTA	Ether
N15	P405/RMIIOTXDEN	Ether
P1	P802/GTIOC12A	INV2 PWM_UH
P2	P804/GTETRGD	INV2 OC/Smart Driver (INV2 nFault)/HV2_OC_PFC
P3	VCC6	VCC
P4	P810	INV2 Inverter Connected
P5	P500/AN121	INV1 IPS_A#
P6	P502/AN019	INV1 IPS_A
P7	P014/AN007	INV1 VR/INV1 IPFC
P8	VREFL	AGND
P9	VREFL0	AGND
P10	P004/AN000	INV1 IU
P11	P003/AN104	INV2 VU/INV2 IPS_A
P12	P001/AN101	INV2 IV
P13	P011/AN106	INV2 IU
P14	P514	TP42
P15	P401/ET0MDC	Ether
R1	P808/GTIOC13B	Smart Driver (INV2 EN)/HV2_PWM_PFC
R2	P809	INV2 Safe Lock
R3	VSS6	GND
R4	P812/AN122	INV1 IPS_B#
R5	P501/AN120	INV1 IPS_B
R6	VCL4	system
R7	P015/AN105	INV1 VW
R8	VREFH	AVCC
R9	VREFH0	AVCC
R10	P008/AN008	INV1 VDC
R11	P006/AN002	INV1 IW
R12	P002/AN102	INV2 IW
R13	P000/AN100	INV2 VDC
R14	P515	TP38
R15	P400/IRQ0	Ether

7. Communication Board Specification

This section describes the specification of the communication board.

7.1 Functions

7.1.1 Power supply

Power of this product is supplied at 5V from USB connector.

7.1.2 USB communication

This product is equipped with a USB type-C connector for communication with a PC when using Renesas Motor Workbench, etc.

7.1.3 Serial communication

This board has two SCI connectors for serial communication with the target MCU when using Renesas Motor Workbench, etc. The pin assignments are shown in Table 7-1 and Table 7-2. When using the communication cable bundled with this product, use CN5.

The serial communication connector and the MCU (RX72N) are connected via a digital isolator, so the communication board and the CPU board with the target MCU are isolated.

Table 7-1 SCI connector (CN5) pin assignment

Pin No.	Function	Note
1	VCC	
2	RXD	Connect to TXD of target MCU
3	TXD	Connect to RXD of target MCU
4	GND	

Table 7-2 SCI connector (CN4) pin assignment

Pin No.	Function	Note
1	VCC	
2	RXD	Connect to TXD of target MCU
3	TXD	Connect to RXD of target MCU
4	GND	

8. Design and Manufacture Information

You can obtain information on the design and manufacture of this product from [renesas.com](https://www.renesas.com).

9. Website and Support

In order to learn, download tools and documents, apply technical support for RA family MCU and its kit, visit the below Web site.

- RA Product Information [renesas.com/ra](https://www.renesas.com/ra)
- Renesas Support [renesas.com/support](https://www.renesas.com/support)

Revision History

Rev.	Date	Description	
		Page	Summary
1.00	Jan 23, 2024	—	First edition

MCK-RA8T1 User's Manual

Publication Date: Rev 1.00 Jan 23, 2024

Published by: Renesas Electronics Corporation

MCK-RA8T1 User's Manual

X-ON Electronics

Largest Supplier of Electrical and Electronic Components

Click to view similar products for [Development Boards & Kits - ARM category](#):

Click to view products by [Renesas manufacturer](#):

Other Similar products are found below :

[CY4541](#) [OM13090UL](#) [YR0K77210B000BE](#) [B-U585I-IOT02A](#) [NUCLEO-WL55JC1](#) [ZDSD-Pinboard](#) [LKS32MC034DOF6Q8-k](#)
[LKS32MC077MBS8-K](#) [LKS32MC038Y6P8B-K](#) [LKS32MC071DOC8T8-K](#) [LKS32MC074DOF8Q8-K](#) [LKS32MC071CBT8-K](#)
[LKS32MC038Y6P8-k](#) [Ai-WB2-32S-Kit](#) [GD32E103T-START](#) [GD32L233K-START](#) [XDS601](#) [RP2040-Tiny](#) [M6G2C-256LI](#) [YT37](#)
[LKS32MC033H6P8B-K](#) [VC-02-Kit_EN](#) [Ra-08H-Kit](#) [Hi-12FL-Kit](#) [PB-03M-Kit](#) [Ai-WB2-13-Kit](#) [PB-03F-Kit](#) [Ra-08-Kit](#) [Hi-07SL-Kit](#) [Hi-](#)
[07S-Kit](#) [Ai-WB2-12F-Kit](#) [PB-03-Kit](#) [Hi-12F-Kit](#) [AT-START-F407](#) [E104-BT40-TB](#) [APM32F072VBT6](#) [APM32F091VC MINI](#)
[APM32F407IG-MINIBOARD](#) [APM32F051R8 MINI](#) [GD32FPRT-START](#) [GD32407H-START-1](#) [GD32E503V-EVAL](#) [GD32E507R-START](#)
[GD32403V-START-1](#) [EPC1EVK-ECGPPG\(FS\)](#) [NS4EVKA-LC](#) [ENS1EVKD](#) [.ENS1EVKB](#) [ENS1EVKE](#) [HLK-7621-ALL-SUIT](#)