

[New Release]

R20TS0514EJ0100

Rev.1.00

Dec. 01, 2019

Renesas Starter Kit+ for RX72M

- Releasing RX72M Evaluation Environment

with Industrial Ethernet Communication EtherCAT® Support -

Overview

The Renesas Starter Kit+ for RX72M for the RX family RX72M group will be released.

1. Product Overview

The Renesas Starter Kit+ for RX72M is the optimal starter kit for developers to get started with the RX72M group.

The kit includes the following hardware needed for development.

- Hardware
 - CPU board including RX72M group (Code Flash 4MB, Pin Count 224-pin) device
 - Pmod™ Compatible LCD board
 - E2 emulator Lite
 - 5V AC adapter (Multi Region)



Figure1 Renesas Starter Kit+ for RX72M

➤ Software

The Renesas Starter Kit+ for RX72M installer, which includes software needed for evaluation, is available at the URL below. With the Renesas Starter Kit+ for RX72M and these tools, developers can start evaluation immediately.

- Download URL for Renesas Starter Kit+ for RX72M

<https://www.renesas.com/rskrx72m#downloads>

The Renesas Starter Kit+ for RX72M installer*1 includes the following software.

- Integrated development environment (CS+/e² studio)
- C/C++ Compiler Package for RX Family Evaluation Edition
- Renesas Flash Programmer Evaluation Edition
- Renesas Starter Kit+ for RX72M Sample Program

*1: Two types of installer are available: e² studio IDE version and CS+ IDE version.

For details about the Renesas Starter Kit+ for RX72M, see the URL below.

- Renesas Starter Kit+ for RX72M product page
<https://www.renesas.com/rskrx72m>

2. Product Features

- Evaluates features of EtherCAT®
- 1 channel USB allows evaluation of host/ function
- Evaluates RSPI (Renesas Serial Peripheral Interface) and QSPI (Quad Serial Peripheral Interface)
- SD slot enables evaluation of SD host interface (SDHI)
- RX72M with built-in Trusted Secure IP *1 to support evaluation of security features of AES encryption and robust key management

*1: Trusted Secure IP is a security function that protects the communication data and saves the encryption key securely.

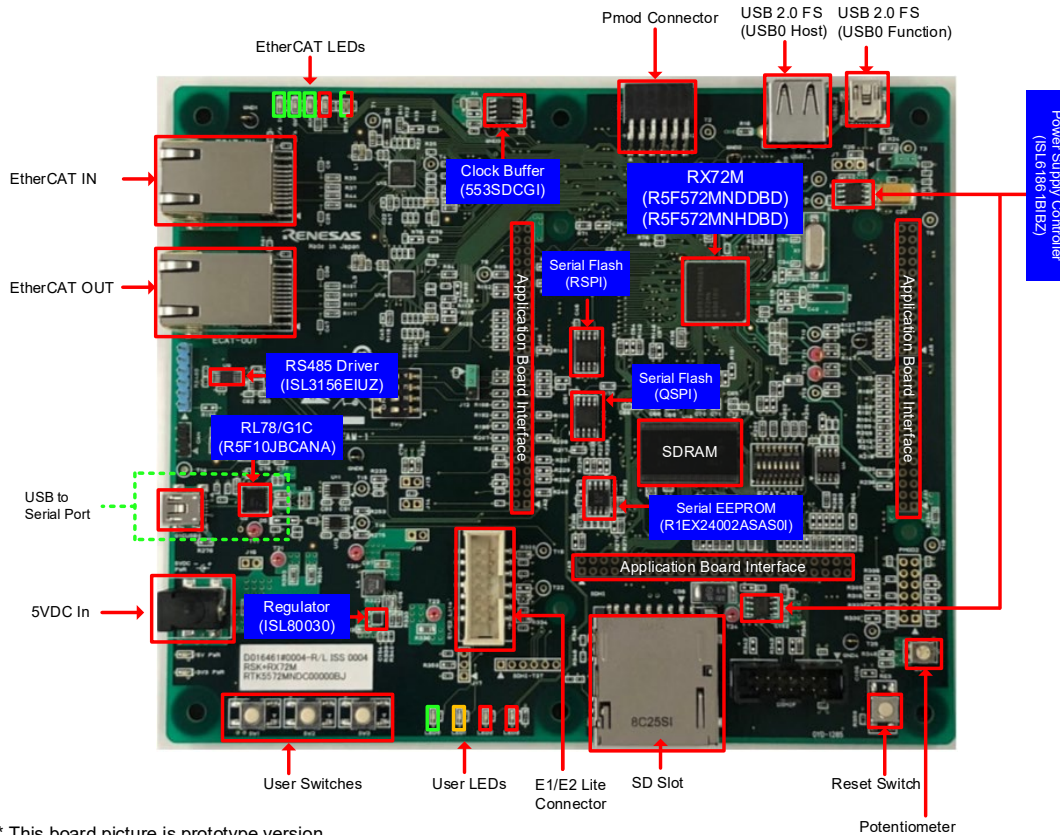


Figure2 CPU Board (Component side)

3. Operating Environment

- IBM PC/AT compatibles
- Windows® 10 (32-bit, 64-bit version)
- Windows 8.1 (32-bit, 64-bit version)
- Windows 7 (32-bit, 64-bit version)
- Processor: 1 GHz or higher (supports hyper-threading, multi-core CPU)
- Memory capacity: recommended 2 GB or more, at least 1 GB (at least 2 GB for Windows 10 and Windows 64-bit version)
- Hard disk capacity: at least 1 GB of free space
- Display: At least 1024×768 resolution, 65536 colors or more

4. Purchasing the Product

For product ordering, contact your local Renesas Electronics sales office or distributor with the following information.

For product pricing, make inquiries in the same manner.

Product part number (Orderable part number)	Trusted Secure IP	Release schedule
RTK5572MNDS10000BE	No	Available
RTK5572MNHS10000BE	Yes	March 2020, or later

Revision History

Rev.	Date	Description	
		Page	Summary
1.00	Dec.01.19	-	First edition issued

Renesas Electronics has used reasonable care in preparing the information included in this document, but Renesas Electronics does not warrant that such information is error free. Renesas Electronics assumes no liability whatsoever for any damages incurred by you resulting from errors in or omissions from the information included herein.

The past news contents have been based on information at the time of publication. Now changed or invalid information may be included.

The URLs in the Tool News also may be subject to change or become invalid without prior notice.

Corporate Headquarters

TOYOSU FORESIA, 3-2-24 Toyosu,
Koto-ku, Tokyo 135-0061, Japan
www.renesas.com

Contact information

For further information on a product, technology, the most up-to-date version of a document, or your nearest sales office, please visit:
www.renesas.com/contact/

Trademarks

Renesas and the Renesas logo are trademarks of Renesas Electronics Corporation. All trademarks and registered trademarks are the property of their respective owners.

X-ON Electronics

Largest Supplier of Electrical and Electronic Components

Click to view similar products for [Development Boards & Kits - Other Processors](#) category:

Click to view products by [Renesas](#) manufacturer:

Other Similar products are found below :

[EVB-MEC1418MECC](#) [20-101-1252](#) [C29XPCIE-RDB](#) [CC-ACC-18M433](#) [MAX1464EVKIT](#) [RTE510Y470TGB00000R](#)
[RTK0EN0001D01001BZ](#) [MAXQ622-KIT#](#) [YR0K505231S000BE](#) [YR0K50571MS000BE](#) [YQB-R5F1057A-TB](#) [QB-R5F104PJ-TB](#) [CC-](#)
[ACC-ETHMX](#) [OV-7604-C7-EVALUATION-BOARD](#) [SK-AD02-D62Q1747TB](#) [SK-BS01-D62Q1577TB](#) [ST7MDT1-EMU2](#) [GROVE BASE](#)
[KIT FOR RASPBERRY PI](#) [RTK5572TKCS00000BE](#) [CAB M-M\(40-17-RAINBOW\)](#) [CY8CKIT-143A](#) [RASPBERRY PI PICO](#) [EK-](#)
[MPC5744P](#) [KITAURIXTC234TFTTOBO1](#) [ENW89854AXKF](#) [ENWF9201AVEF](#) [QB-R5F104LE-TB](#) [LV18F V6 64-80-PIN TQFP MCU](#)
[CARD EMPTY](#) [LV-24-33 V6 44-PIN TQFP MCU CARD EMPTY](#) [LV-24-33 V6 64-PIN TQFP MCU CARD EMPTY](#) [LV-24-33 V6 80-PIN](#)
[TQFP 1 MCU CARD EMPTY](#) [32X32 RGB LED MATRIX PANEL - 6MM PITCH](#) [3.3 - 5 VTRANSLATOR](#) [READY FOR XMEGA](#)
[CASING \(WHITE\)](#) [RELAY4 BOARD](#) [ETHERNET CONNECTOR](#) [RFID CARD 125KHZ - TAG](#) [RFID READER](#) [RFM12B-DEMO](#)
[MAROON](#) [3G CLICK \(FOR EUROPE AND AUSTRALIA\)](#) [MAX232](#) [MAX3232 BOARD](#) [ARTY S7-50](#) [THREE-AXIS](#)
[ACCELEROMETER BOARD](#) [TINKERKIT HALL SENSOR](#) [TOUCHPANEL](#) [TOUCHPANEL CONTROLLER](#) [MIKROBOARD FOR AVR](#)
[WITH ATMEGA128](#) [MIKROBOARD FOR PSOC WITH CY8C27643](#)