

Quick Start Guide

RL78/G16
Fast Prototyping Board

(1) Checking out the video guide

A video is available to help you get started with Fast Prototyping Board for RL78 Family.

The QR code for the video is at right. →

You can also check the board's full specifications on the Renesas Web site.

URL: https://www.renesas.com/RL78/G16_fpb



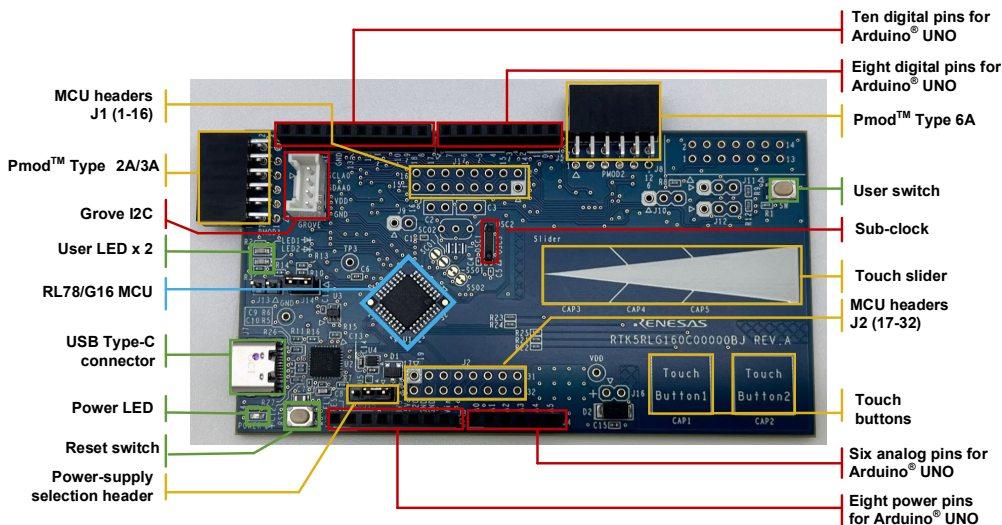
(2) Package components

RL78/G16 Fast Prototyping Board (RTK5RLG160C00000BJ) and Quick Start Guide (this document)

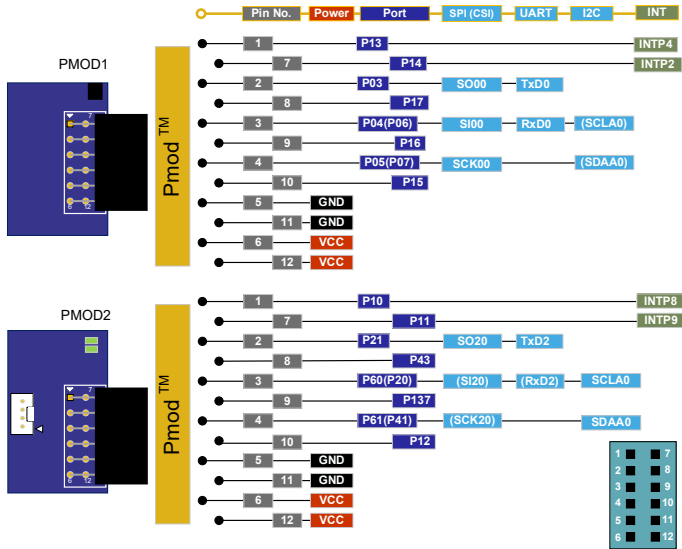
(3) Table of board specifications

Item	Specification
Evaluation MCU RL78/G16	Part No.: R5F121BCAFP; package: 32-pin LQFP On-chip memory: 32-KB ROM, 2-KB RAM, 1-KB data flash memory
Push switches	Reset switch x 1, user switch x 1
LEDs	Power indicator: green x 1, user: green x 2
Capacitive touch	Buttons x 2, slider x 1
Pmod™ connectors	Connectors: Angle type, 12 pins x 2
Arduino® connectors	Connectors: 6 pins x 1, 8 pins x 2, 10 pins x 1 The interfaces are compatible with Arduino® UNO R3.
Grove connector	Interface for Grove modules I2C: x 1

(4) Parts layout

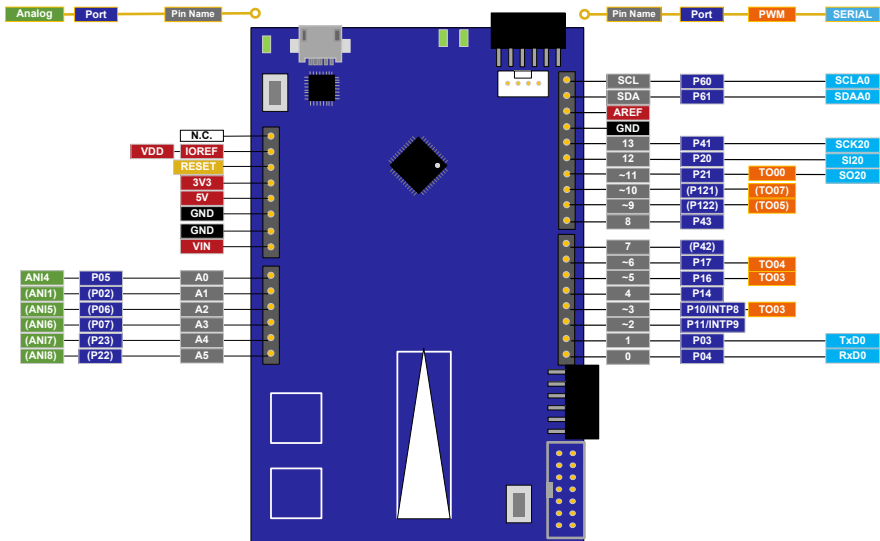


(5) Pmod™ interface



Signals enclosed in “()” requires switching the wiring by using the short-circuit pads.

(6) Arduino® interface



Signals enclosed in “()” requires switching the wiring by using the short-circuit pads.

(7) Grove interface

Pin 1	P60	SCLA0
Pin 2	P61	SDAA0
Pin 3	-	VDD
Pin 4	-	VSS

X-ON Electronics

Largest Supplier of Electrical and Electronic Components

Click to view similar products for [Development Boards & Kits - Other Processors](#) category:

Click to view products by [Renesas](#) manufacturer:

Other Similar products are found below :

[KIT_AURIX_TC233LP_TRB](#) [STM8S/32-D/RAIS](#) [QB-R5F110PJ-TB](#) [ST7MDT1-EMU2](#) [KITA2GTC3975VTRBSTOBO1](#)
[RTK5572TKCS00000BE](#) [ST623X-KIT/220](#) [STEVAL-ISV014V1](#) [KIT_XC836_EK_V1](#) [XIAO STARTER KIT](#) [SIBRAIN FOR](#)
[AVR128DA64](#) [CLICKER 4 FOR TMPM3H](#) [ACRYLIC CASE FOR XIAO EXPANSION BOARD](#) [RSSDEMO50F-AA-13# DEMO KIT](#) [VS](#)
[1000 DEMO BOARD](#) [SIBRAIN FOR AVR64DA64](#) [XIAO RP2040](#) [GSM CLICK](#) [CODEGRIP ADAPT V6](#) [DUAL SMART USB CHARGER](#)
[WIZFI360-EVB-PICO](#) [EDGE CONTROL ENCLOSURE KIT](#) [DK-SOC-10AS066S-E](#) [902-0183-000](#) [Y-ASK-RL78F13-V2](#) [Y-ASK-](#)
[RL78F14-V2](#) [Y-ASK-RL78F15-V2](#) [KITA2GTC3895VTRBTOBO1](#) [KITA2GTC3995VTRBTOBO1](#) [CONNECTEVE](#) [R0K521380S000BE](#)
[R0K578L1CD000BR](#) [LV-24-33 V6 44-PIN TQFP MCU CARD EMPTY](#) [LV-24-33 V6 64-PIN TQFP MCU CARD EMPTY](#) [LV-24-33 V6 80-](#)
[PIN TQFP 1 MCU CARD EMPTY](#) [32X32 RGB LED MATRIX PANEL - 6MM PITCH](#) [READY FOR XMEGA CASING \(WHITE\)](#) [RELAY4](#)
[BOARD](#) [ETHERNET CONNECTOR](#) [RFID CARD 125KHZ - TAG](#) [RFM12B-DEMO](#) [MAROON](#) [MAX232](#) [MAX3232 BOARD](#) [THREE-](#)
[AXIS ACCELEROMETER BOARD](#) [TINKERKIT HALL SENSOR](#) [TOUCHPANEL CONTROLLER](#) [MIKROBOARD FOR AVR WITH](#)
[ATMEGA128](#) [MIKROBUS CAPE](#) [MIKROETH 100 BOARD](#)