

### RV1S9213A

R08DS0187EJ0100

Rev.1.00

Nov 11,2019

1 Mbps, OPEN COLLECTOR OUTPUT, HIGH CMR, IPM DRIVER,  
5-PIN SSOP WITH 8.2mm CREEPAGE DISTANCE (LSSO5) PHOTOCOUPLER

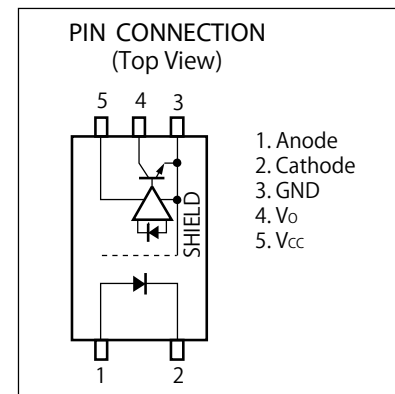
#### DESCRIPTION

The RV1S9213A is an optically coupled isolator containing an AlGaAs LED on the input side and a photo diode and a signal processing circuit on the output side on one chip. The RV1S9213A is designed specifically for high common mode transient immunity (CMR) and low pulse width distortion with operating temperature. It is suitable for IPM drive. This package is very small and thin with long creepage distance(8.2mm).

This small product is suitable for various interface circuits which require surface mounting and high-density mounting.

#### FEATURES

- Small and long creepage (8.2 mm, LSSO5)
- Open collector output
- High speed switching ( $t_{PHL} = 500\text{ns MAX.}$ ,  $t_{PLH} = 750\text{ns MAX.}$ )
- Propagation Delay Difference ( $t_{PLH} - t_{PHL} = 270\text{ ns TYP.}$ )
- Operating temperature (-40 ~ +125°C)
- High common mode transient immunity ( $CM_H, CM_L = \pm 50\text{ kV}/\mu\text{s MIN.}$ )
- High isolation voltage ( $BV = 5000\text{ Vr.m.s.}$ )
- Embossed tape product : RV1S9213ACCSP-10Yx#KC0: 3500 pcs/reel
- Pb-Free product
- Safety standard
  - UL : UL1577, Double protection
  - CSA : CAN/CSA-C22.2 No.62368-1, Reinforced insulation
  - VDE : DIN EN 60747-5-5 (Option)



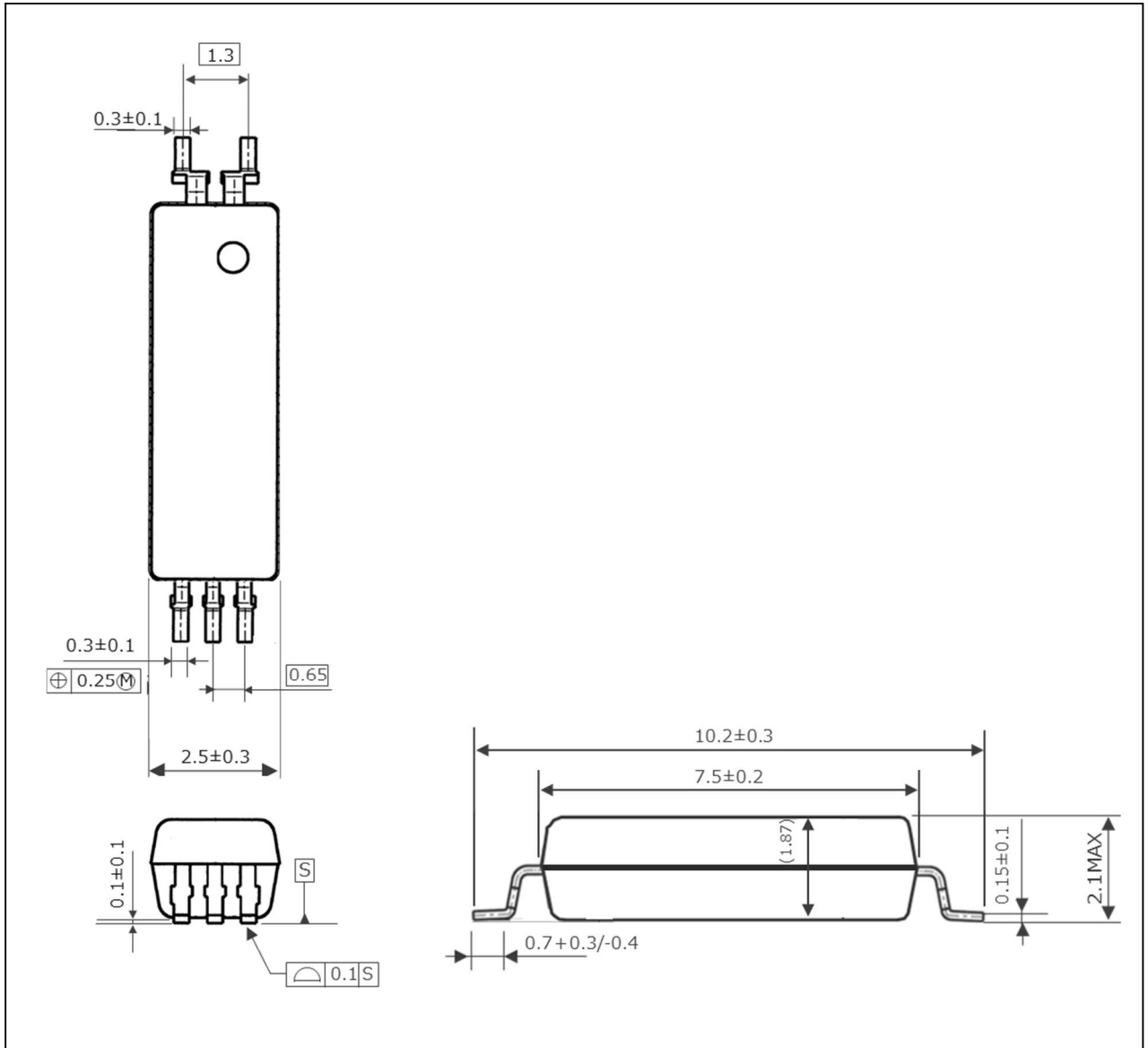
#### APPLICATIONS

- Robot controller
- Industrial inverter
- AC Servo
- FA Network
- Measurement equipment

Start of mass production

Nov.2019

PACKAGE DIMENSIONS (UNIT : mm)

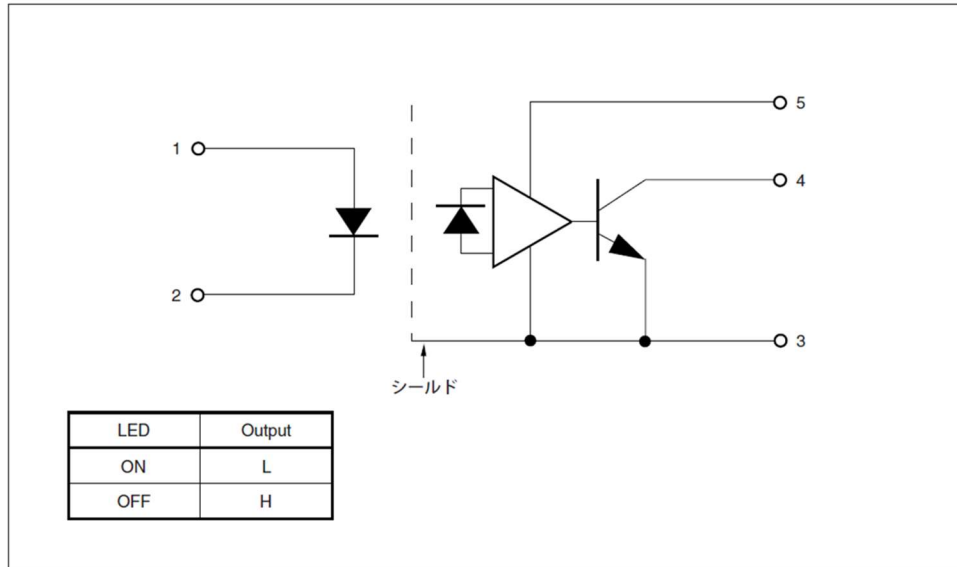


Weight :0.075g (Typ.)

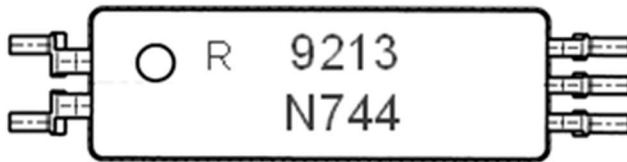
PHOTOCOUPLER CONSTRUCTION

Parameter	MIN.
Air Distance	8.2 mm
Creepage Distance	8.2 mm
Isolation Distance	0.15 mm

BLOCK DIAGRAM



MARKING EXAMPLE



R	An initial of "Renesas"		
9213	Product Part Number *		
○	No.1 pin Mark		
N744	N	Rank Code	
	744	Assembly Lot	
		7	Last one-digit of Assembly Year
		44	Weekly Serial Code

\* ) Applicable type numbers listed below

RV1S 9213 ACCSP-10Yx

Marking type number. "RV1S" and "ACCSP-10Yx" are omitted from original type number

ORDERING INFORMATION

Part Number	Order Number	Solder Plating Specification	Packing Style	Safety Standard Approval	Application Part Number*1
RV1S9213ACCSP-10YC	RV1S9213ACCSP-10YC#SC0	Pb-Free and Halogen Free (Ni/Pd/Au)	20 pcs(Tape 20 pcs cut)	Standard products (UL, CSA approved)	RV1S9213A
	RV1S9213ACCSP-10YC#KC0		Embossed Tape 3500 pcs/reel		
RV1S9213ACCSP-10YV	RV1S9213ACCSP-10YV#SC0		20 pcs(Tape 20 pcs cut)	UL, CSA, DIN EN 60747-5-5 approved	
	RV1S9213ACCSP-10YV#KC0		Embossed Tape 3500 pcs/reel		

Notes:\*1. For the application of the Safety Standard, following part number should be used.

ABSOLUTELY MAXIMUM RATINGS ( $T_A = 25^\circ\text{C}$ , unless otherwise specified)

Parameter		Symbol	Ratings	Unit
Diode	Forward Current	$I_F$	20	mA
	Reverse Voltage	$V_R$	5	V
	Power Dissipation Derating	$\Delta P_D/^\circ\text{C}$	1.2 ( $T_A \geq 110^\circ\text{C}$ )	mW/ $^\circ\text{C}$
	Power Dissipation	$P_D$	45	mW
Detector	Supply Voltage	$V_{CC}$	-0.5 ~ +30	V
	Output Voltage	$V_O$	-0.5 ~ $V_{CC}$	V
	Output Current	$I_O$	15	mA
	Power Dissipation Derating	$\Delta P_C/^\circ\text{C}$	4.15 ( $T_A \geq 85^\circ\text{C}$ )	mW/ $^\circ\text{C}$
	Power Dissipation	$P_C$	250	mW
Isolation Voltage *1		BV	5000	Vr.m.s.
Operating Ambient Temperature		$T_A$	-40 ~ +125	$^\circ\text{C}$
Storage Temperature		$T_{stg}$	-55 ~ +150	$^\circ\text{C}$

Notes: 1. AC Voltage for 1minute at  $T_A=25^\circ\text{C}$ , RH=60% between input and output.  
Pins 1-2 shorted together, 3-5 shorted together.

## RECOMMENDED OPERATING CONDITIONS

Parameter	Symbol	MIN.	TYP.	MAX	Unit
Supply Voltage	$V_{CC}$	4.5	15	25	V
High Level Forward Current	$I_{F(ON)}$	8	10	12	mA
Low Level forward voltage	$V_{F(OFF)}$	-2		0.8	V

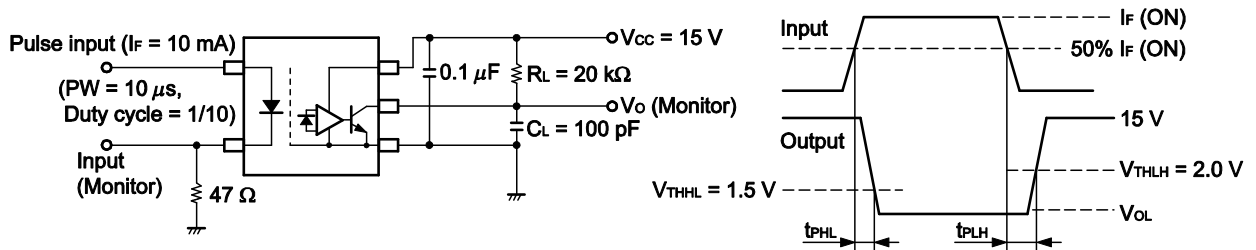
ELECTRICAL CHARACTERISTICS

( $T_A = -40 \sim +125^{\circ}\text{C}$ ,  $V_{CC} = 15\text{V}$ , unless otherwise specified)

Parameter		Symbol	Conditions	MIN.	TYP.*1	MAX.	Unit
Diode	Forward Voltage	$V_F$	$I_F = 10\text{ mA}$ , $T_A = 25^{\circ}\text{C}$	1.35	1.56	1.75	V
	Reverse Current	$I_R$	$V_R = 3\text{ V}$ , $T_A = 25^{\circ}\text{C}$			10	$\mu\text{A}$
	Terminal Capacitance	$C_t$	$V_F = 0\text{ V}$ , $f = 1\text{ MHz}$		30		pF
Detector	High Level Supply Current	$I_{CCH}$	$V_{CC} = 20\text{V}$ , $V_F = 0.8\text{V}$ , $V_O = \text{Open}$		1.0	1.3	mA
	Low Level Supply Current	$I_{CCL}$	$V_{CC} = 20\text{V}$ , $I_F = 10\text{mA}$ , $V_O = \text{Open}$		1.0	1.3	mA
	High Level Output Current	$I_{OH}$	$V_{CC} = 20\text{V}$ , $V_F = 0.8\text{V}$		0.01	50	$\mu\text{A}$
	Low Level Output Voltage	$V_{OL}$	$V_{CC} = 15\text{V}$ , $I_F = 10\text{mA}$ , $I_{OL} = 2.4\text{mA}$		0.13	0.6	V
Coupled	Threshold Input Current	$I_{FHL}$	$V_{CC} = 15\text{V}$ , $V_O = 0.8\text{V}$ , $I_O = 0.75\text{mA}$		0.8	5.0	mA
	Isolation Resistance	$R_{I-O}$	$V_{I-O} = 1\text{kVDC}$	$10^{11}$			$\Omega$
	Isolation Capacitance	$C_{I-O}$	$V = 0\text{V}$ , $f = 1\text{MHz}$		0.7		pF
	Propagation Delay Time (H $\rightarrow$ L) <sup>2</sup>	$t_{PHL}$	$V_{CC} = 15\text{V}$ , $I_F = 10\text{mA}$ , $R_L = 20\text{k}\Omega$ , $C_L = 100\text{pF}$ $V_{THHL} = 1.5\text{V}$ , $V_{THLH} = 2.0\text{V}$		180	500	ns
	Propagation Delay Time (L $\rightarrow$ H) <sup>2</sup>	$t_{PLH}$			420	750	ns
	Propagation Delay Difference	$t_{PLH} - t_{PHL}$		-200	240	650	ns
	Pulse Width Distortion (PWD) <sup>2</sup>	$ t_{PHL} - t_{PLH} $			240	650	ns
	Common Mode Transient Immunity at High Level Output <sup>3</sup>	$CM_H$	$T_A = 25^{\circ}\text{C}$ , $I_F = 0\text{mA}$ , $V_{CM} = 1.5\text{kV}$ , $R_L = 20\text{k}\Omega$ $C_L = 100\text{pF}$ , $V_O > 3.0\text{V}$	50			kV/ $\mu\text{s}$
Common Mode Transient Immunity at Low Level Output <sup>3</sup>	$CM_L$	$T_A = 25^{\circ}\text{C}$ , $I_F = 10\text{mA}$ , $V_{CM} = 1.5\text{kV}$ , $R_L = 20\text{k}\Omega$ $C_L = 100\text{pF}$ , $V_O < 1.0\text{V}$	50			kV/ $\mu\text{s}$	

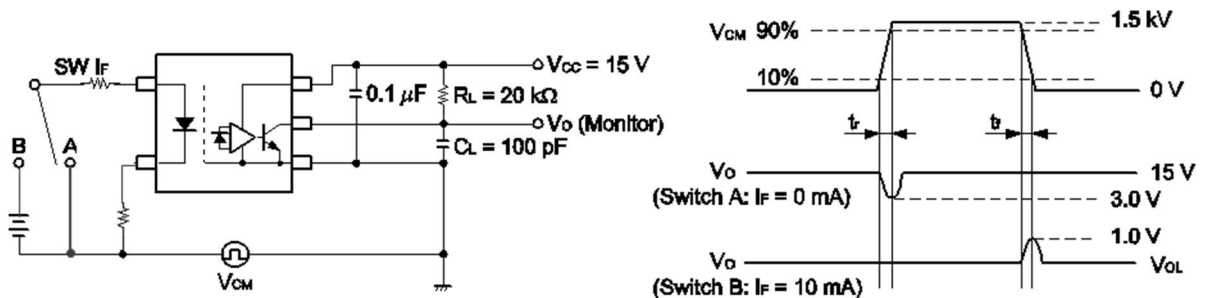
Notes\*: 1. Typical values at  $T_A = 25^{\circ}\text{C}$ .

2. Test circuit for propagation delay time



$C_L$  includes probe and stray wiring capacitance.

3. Test circuit for common mode transient immunity

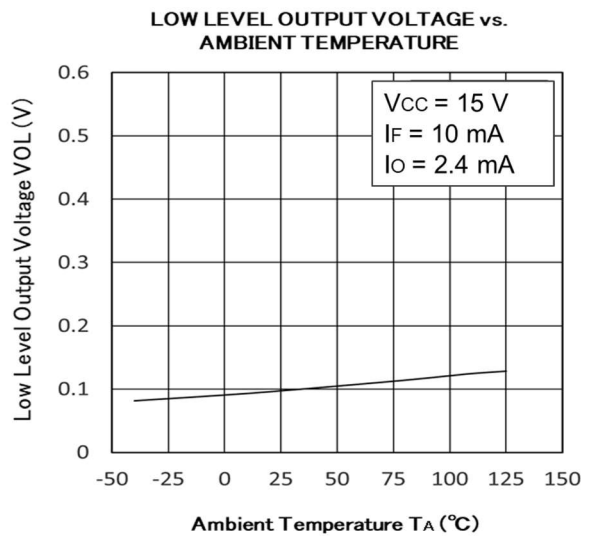
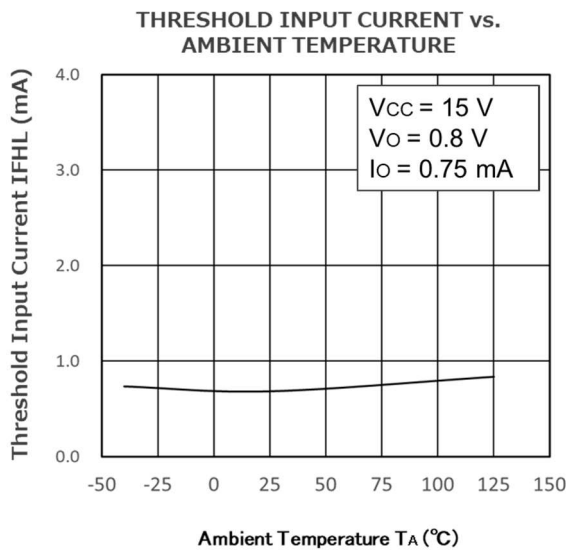
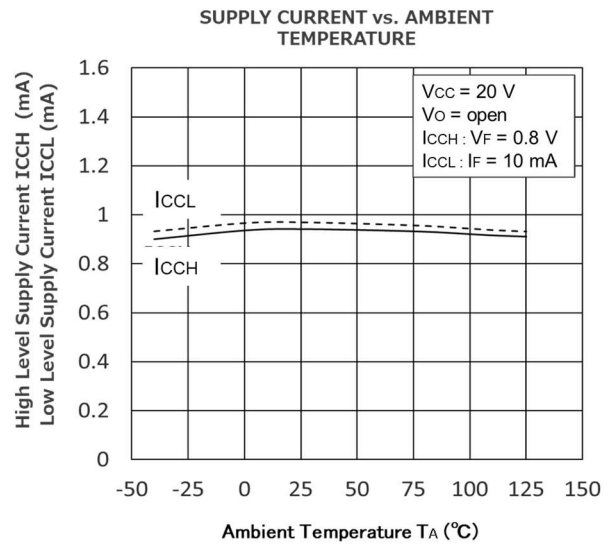
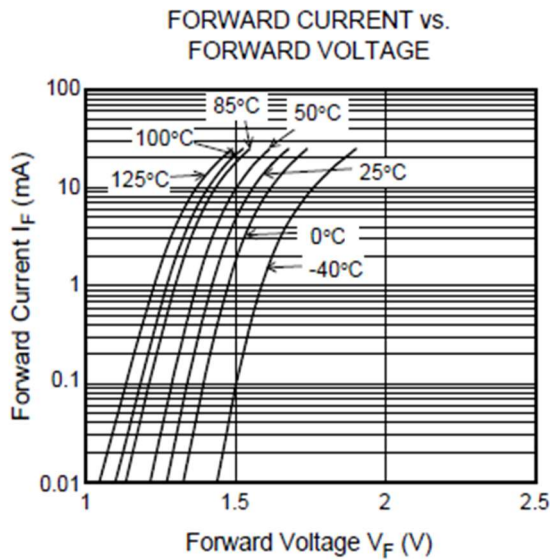
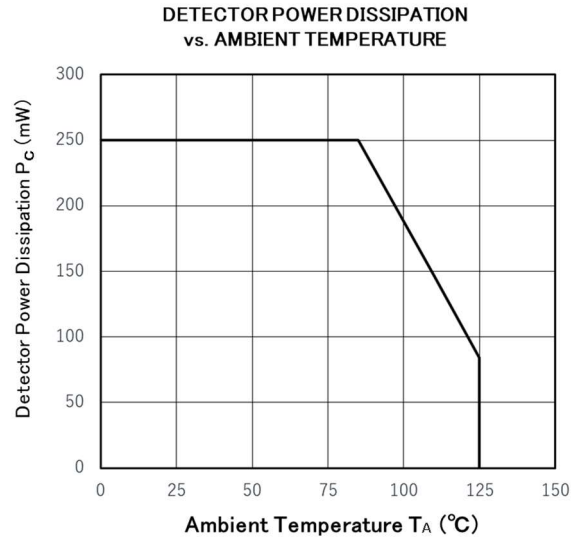
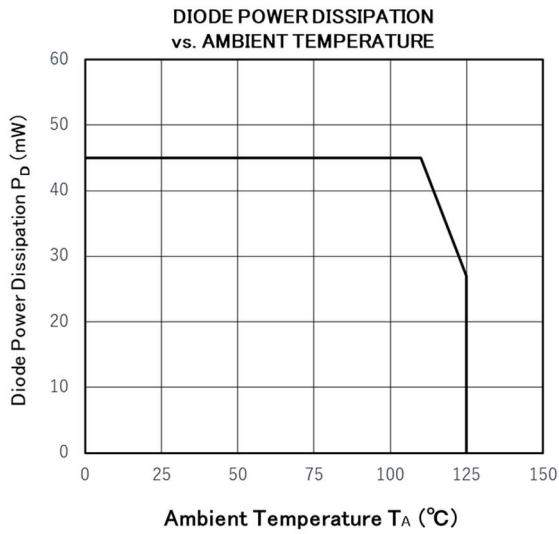


$C_L$  includes probe and stray wiring capacitance.

## USAGE CAUTIONS

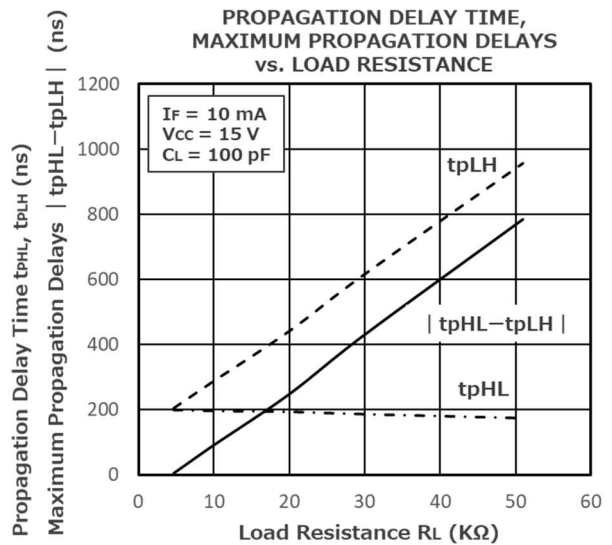
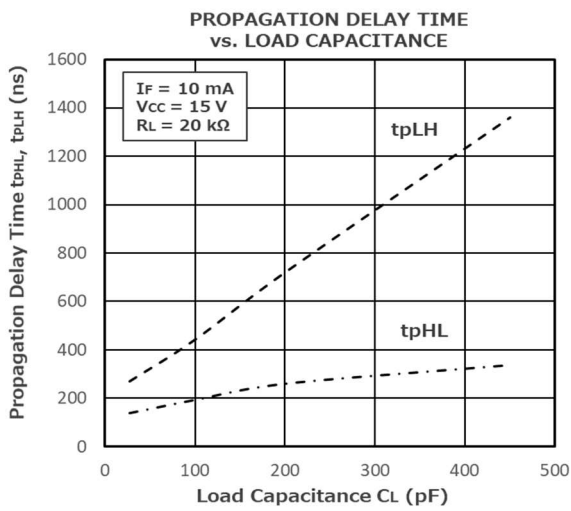
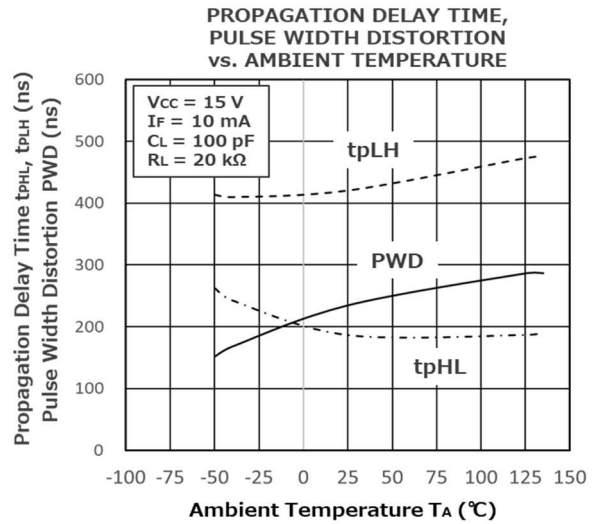
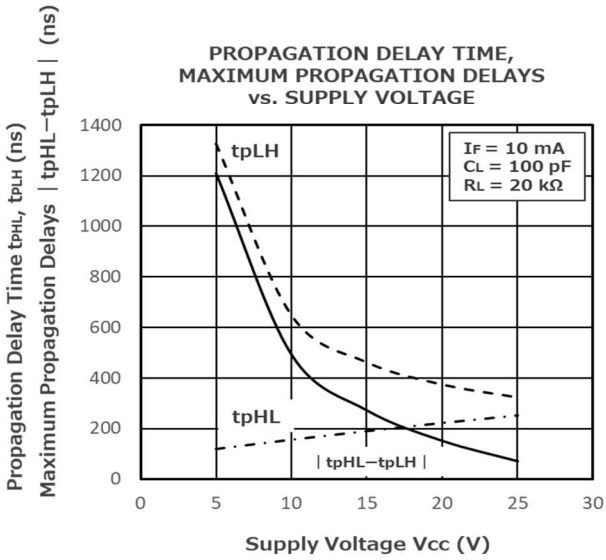
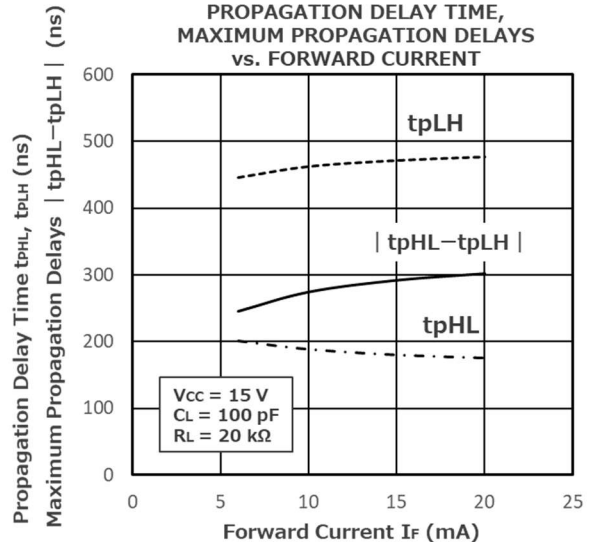
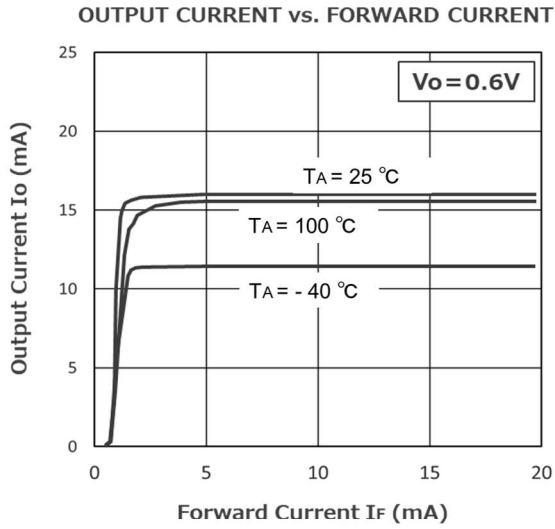
1. This product is weak for static electricity by designed with high-speed integrated circuit so protect against static electricity when handling.
2. By-pass capacitor of more than 0.1  $\mu$ F is used between  $V_{CC}$  and GND near device. Also, ensure that the distance between the leads of the photocoupler and capacitor is no more than 10 mm.
3. Avoid storage at a high temperature and high humidity.

TYPICAL CHARACTERISTICS (T<sub>A</sub> = 25°C, unless otherwise specified)



**Remark** The graphs indicate nominal characteristics.

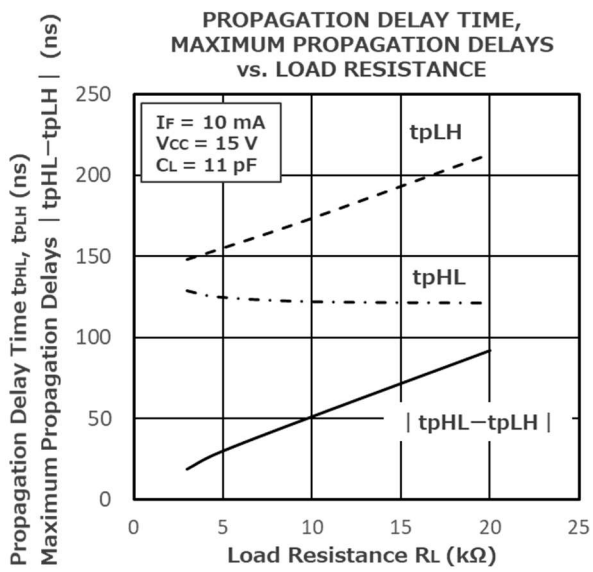
TYPICAL CHARACTERISTICS (T<sub>A</sub> = 25°C, unless otherwise specified)



**Remark** The graphs indicate nominal characteristics.



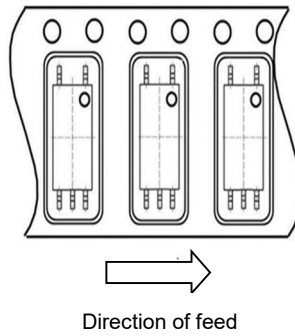
TYPICAL CHARACTERISTICS (T<sub>A</sub> = 25°C, unless otherwise specified)



**Remark** The graphs indicate nominal characteristics.

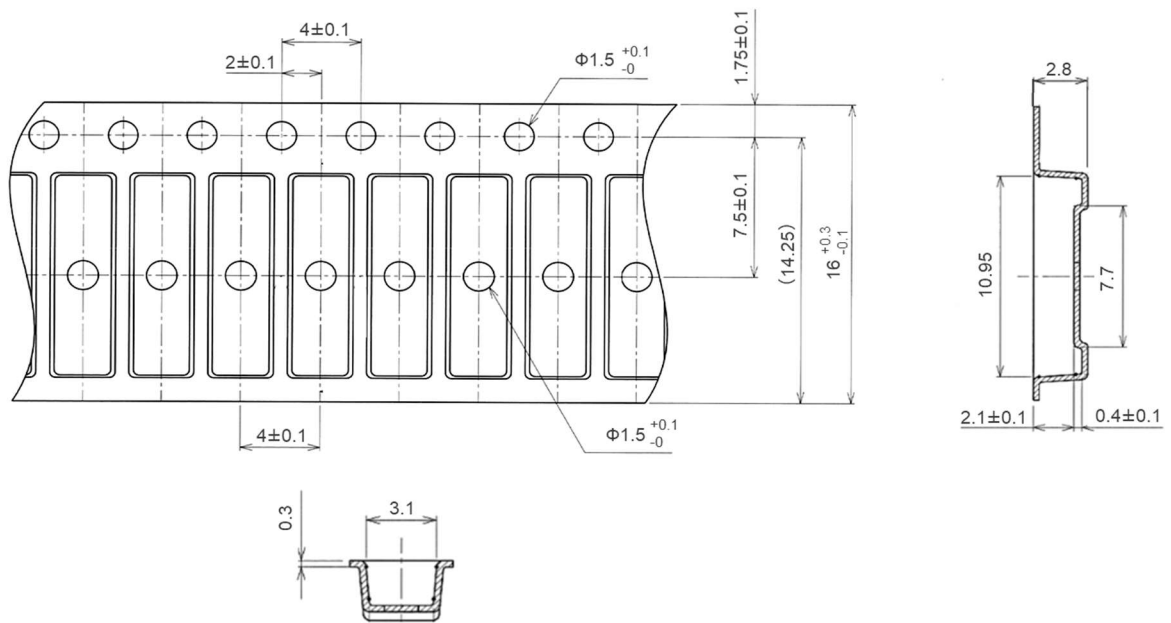
TAPING SPECIFICATIONS (UNIT : mm)

Taping Direction



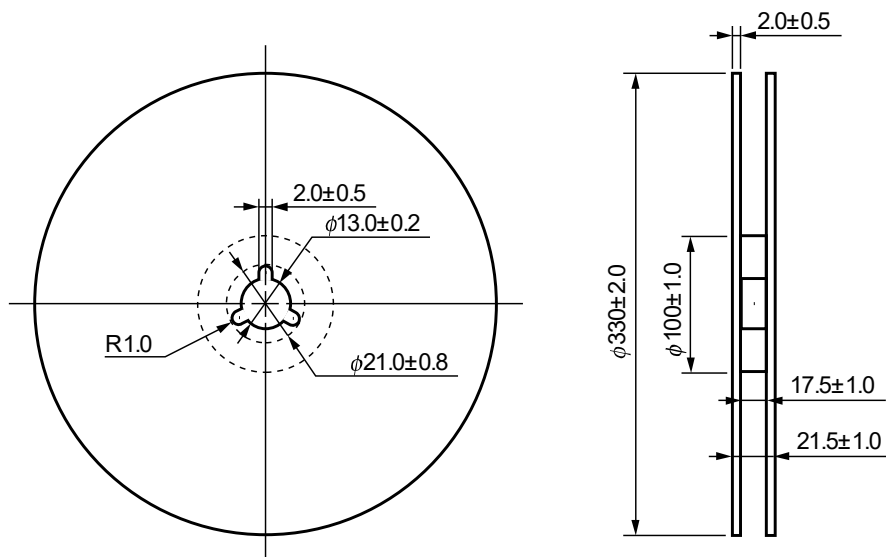
Outline and Dimensions (Tape)

Unit: mm



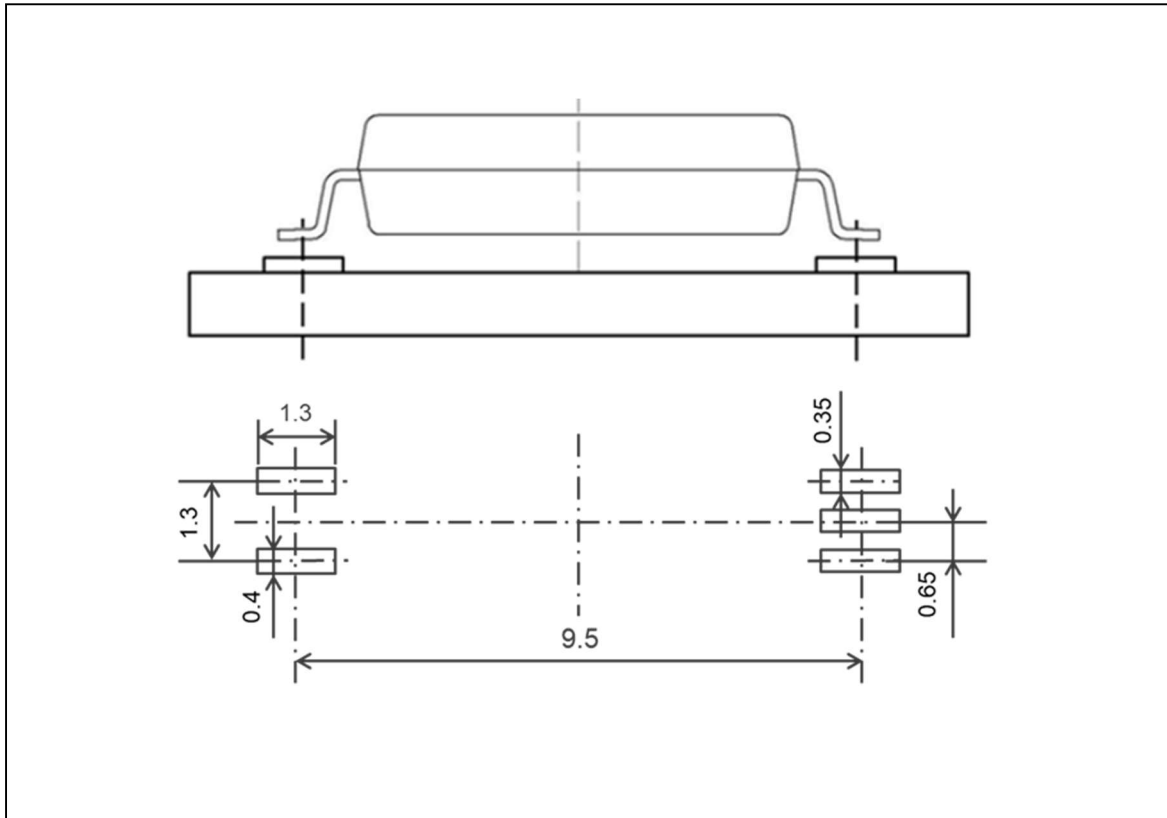
Outline and Dimensions (Reel)

Unit: mm



Packing: 3 500 pcs/reel

## RECOMMENDED MOUNT PAD DIMENSIONS (UNIT : mm)



Remark All dimensions in this figure must be evaluated before use.

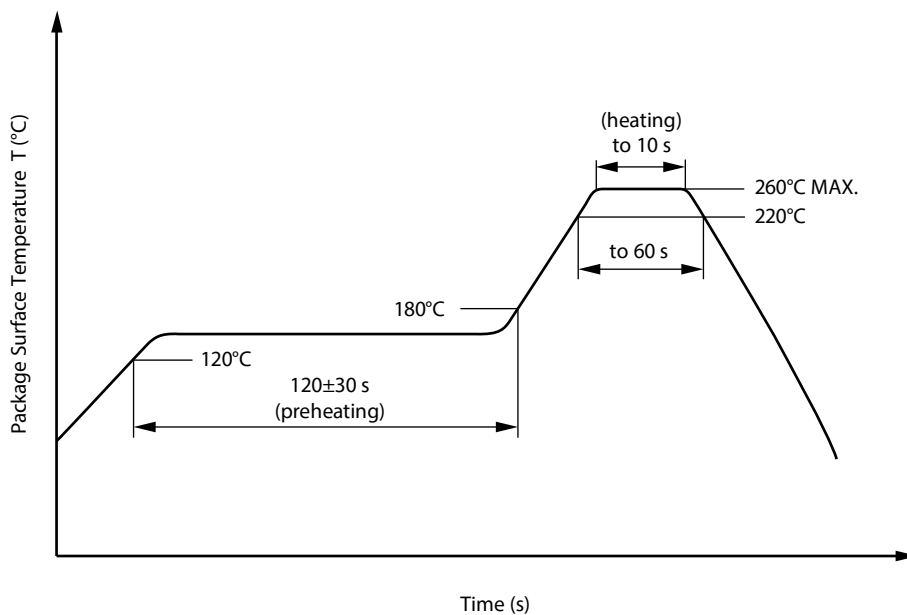
## NOTES ON HANDLING

## 1. Recommended soldering conditions

## (1) Infrared reflow soldering

- Peak reflow temperature 260°C or below (package surface temperature)
- Time of peak reflow temperature 10 seconds or less
- Time of temperature higher than 220°C 60 seconds or less
- Time to preheat temperature from 120 to 180°C 120±30 s
- Number of reflows Three
- Flux Rosin flux containing small amount of chlorine (The flux with a maximum chlorine content of 0.2 Wt% is recommended.)

Recommended Temperature Profile of Infrared Reflow



## (2) Wave soldering

- Temperature 260°C or below (molten solder temperature)
- Time 10 seconds or less
- Preheating conditions 120°C or below (package surface temperature)
- Number of times One (Allowed to be dipped in solder including plastic mold portion.)
- Flux Rosin flux containing small amount of chlorine (The flux with a maximum chlorine content of 0.2 Wt% is recommended.)

## (3) Soldering by Soldering Iron

- Peak Temperature (lead part temperature) 350°C or below
- Time (each pins) 3 seconds or less
- Flux Rosin flux containing small amount of chlorine  
(The flux with a maximum chlorine content of 0.2 Wt% is recommended.)

(a) Soldering of leads should be made at the point 1.5 to 2.0 mm from the root of the lead

(b) Please be sure that the temperature of the package would not be heated over 100°C

## (4) Cautions

- Flux Cleaning  
Avoid cleaning with Freon based or halogen-based (chlorinated etc.) solvents.
- Do not use fixing agents or coatings containing halogen-based substances.

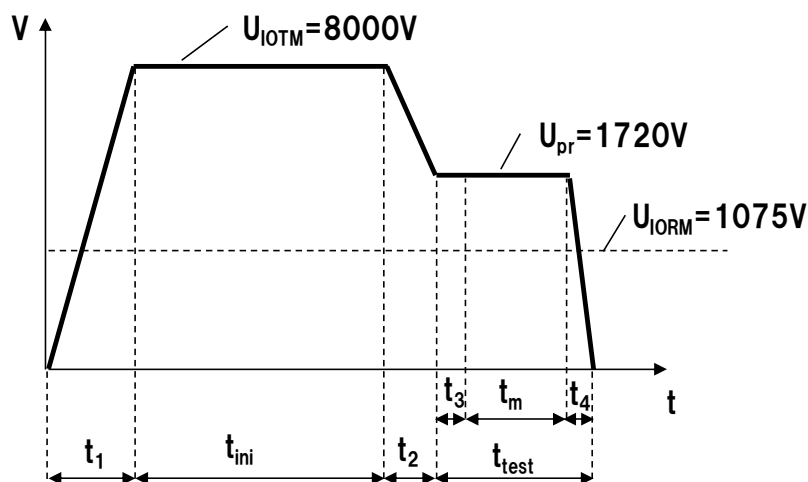
## 2. Cautions regarding noise

Be aware that when voltage is applied suddenly between the photocoupler's input and output at startup, the output transistor may enter the on state, even if the voltage is within the absolute maximum ratings.

## SPECIFICATION OF VDE MARKS LICENSE DOCUMENT

Parameter	Symbol	Rating	Unit
Climatic test class (IEC 60068-1/DIN EN 60068-1)		40/125/21	
Dielectric strength			
maximum operating isolation voltage	$U_{IORM}$	1 075	$V_{peak}$
Test voltage (partial discharge test, procedure a for type test and random test)	$U_{pr}$	1 720	$V_{peak}$
$U_{pr} = 1.6 \times U_{IORM}, P_d < 5 \text{ pC}$			
Test voltage (partial discharge test, procedure b for all devices)	$U_{pr}$	2 016	$V_{peak}$
$U_{pr} = 1.875 \times U_{IORM}, P_d < 5 \text{ pC}$			
Highest permissible overvoltage	$U_{IOTM}$	8 000	$V_{peak}$
Degree of pollution (IEC 60664-1/DIN EN 60664-1 (VDE 0110-1))		2	
Comparative tracking index (IEC 60112/DIN EN 60112 (VDE 0303-11))	CTI	400	
Material group (IEC 60664-1/DIN EN 60664-1 (VDE 0110-1))		II	
Storage temperature range	$T_{stg}$	-55~+150	°C
Operating temperature range	$T_A$	-40~+125	°C
Isolation resistance, minimum value			
$V_{IO} = 500 \text{ V dc at } T_A = 25^\circ\text{C}$	Ris MIN.	$10^{12}$	$\Omega$
$V_{IO} = 500 \text{ V dc at } T_A \text{ MAX. at least } 100^\circ\text{C}$	Ris MIN.	$10^{11}$	$\Omega$
Safety maximum ratings (maximum permissible in case of fault, see thermal derating curve)			
Package temperature	$T_{si}$	175	°C
Current (input current $I_F$ , $\Psi_i = 0$ )	$I_{si}$	400	mA
Power (output or total power dissipation)	$\Psi_i$	700	mW
Isolation resistance $V_{IO} = 500 \text{ V dc at } T_A = T_{si}$	Ris MIN.	$10^9$	$\Omega$

## Method a) Destructive Test, Type and Sample Test



$t_1, t_2 = 1 \text{ to } 10 \text{ sec}$

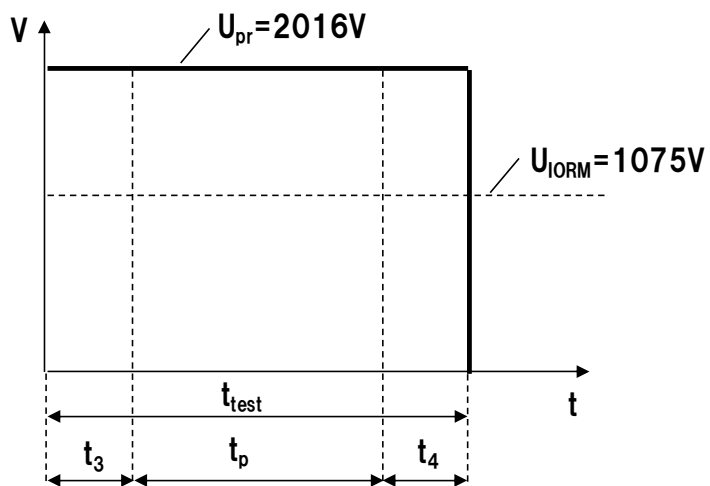
$t_3, t_4 = 1 \text{ sec}$

$t_m \text{ (PARTIAL DISCHARGE)} = 10 \text{ sec}$

$t_{test} = 12 \text{ sec}$

$t_{ini} = 60 \text{ sec}$

## Method b) Non-destructive Test, 100% Production Test



$$t_3, t_4 = 0.1 \text{ sec}$$

$$t_p \text{ (PARTIAL DISCHARGE)} = 1.0 \text{ sec}$$

$$t_{test} = 1.2 \text{ sec}$$

<b>Caution</b>	GaAs Products	<p>This product uses gallium arsenide (GaAs). GaAs vapor and powder are hazardous to human health if inhaled or ingested, so please observe the following points.</p> <ul style="list-style-type: none"><li>• Follow related laws and ordinances when disposing of the product. If there are no applicable laws and/or ordinances, dispose of the product as recommended below.<ol style="list-style-type: none"><li>1. Commission a disposal company able to (with a license to) collect, transport and dispose of materials that contain arsenic and other such industrial waste materials.</li><li>2. Exclude the product from general industrial waste and household garbage, and ensure that the product is controlled (as industrial waste subject to special control) up until final disposal.</li></ol></li><li>• Do not burn, destroy, cut, crush, or chemically dissolve the product.</li><li>• Do not lick the product or in any way allow it to enter the mouth.</li></ul>
----------------	---------------	----------------------------------------------------------------------------------------------------------------------------------------------------------------------------------------------------------------------------------------------------------------------------------------------------------------------------------------------------------------------------------------------------------------------------------------------------------------------------------------------------------------------------------------------------------------------------------------------------------------------------------------------------------------------------------------------------------------------------------------------------------------------------------------------------------------------------------------------------------------------------------------------------------------------------------------------------------------------------------------

All trademarks and registered trademarks are the property of their respective owners.

## Notice

1. Descriptions of circuits, software and other related information in this document are provided only to illustrate the operation of semiconductor products and application examples. You are fully responsible for the incorporation or any other use of the circuits, software, and information in the design of your product or system. Renesas Electronics disclaims any and all liability for any losses and damages incurred by you or third parties arising from the use of these circuits, software, or information.
2. Renesas Electronics hereby expressly disclaims any warranties against and liability for infringement or any other claims involving patents, copyrights, or other intellectual property rights of third parties, by or arising from the use of Renesas Electronics products or technical information described in this document, including but not limited to, the product data, drawings, charts, programs, algorithms, and application examples.
3. No license, express, implied or otherwise, is granted hereby under any patents, copyrights or other intellectual property rights of Renesas Electronics or others.
4. You shall not alter, modify, copy, or reverse engineer any Renesas Electronics product, whether in whole or in part. Renesas Electronics disclaims any and all liability for any losses or damages incurred by you or third parties arising from such alteration, modification, copying or reverse engineering.
5. Renesas Electronics products are classified according to the following two quality grades: "Standard" and "High Quality". The intended applications for each Renesas Electronics product depends on the product's quality grade, as indicated below.  
"Standard": Computers; office equipment; communications equipment; test and measurement equipment; audio and visual equipment; home electronic appliances; machine tools; personal electronic equipment; industrial robots; etc.  
"High Quality": Transportation equipment (automobiles, trains, ships, etc.); traffic control (traffic lights); large-scale communication equipment; key financial terminal systems; safety control equipment; etc.  
Unless expressly designated as a high reliability product or a product for harsh environments in a Renesas Electronics data sheet or other Renesas Electronics document, Renesas Electronics products are not intended or authorized for use in products or systems that may pose a direct threat to human life or bodily injury (artificial life support devices or systems; surgical implantations; etc.), or may cause serious property damage (space system; undersea repeaters; nuclear power control systems; aircraft control systems; key plant systems; military equipment; etc.). Renesas Electronics disclaims any and all liability for any damages or losses incurred by you or any third parties arising from the use of any Renesas Electronics product that is inconsistent with any Renesas Electronics data sheet, user's manual or other Renesas Electronics document.
6. When using Renesas Electronics products, refer to the latest product information (data sheets, user's manuals, application notes, "General Notes for Handling and Using Semiconductor Devices" in the reliability handbook, etc.), and ensure that usage conditions are within the ranges specified by Renesas Electronics with respect to maximum ratings, operating power supply voltage range, heat dissipation characteristics, installation, etc. Renesas Electronics disclaims any and all liability for any malfunctions, failure or accident arising out of the use of Renesas Electronics products outside of such specified ranges.
7. Although Renesas Electronics endeavors to improve the quality and reliability of Renesas Electronics products, semiconductor products have specific characteristics, such as the occurrence of failure at a certain rate and malfunctions under certain use conditions. Unless designated as a high reliability product or a product for harsh environments in a Renesas Electronics data sheet or other Renesas Electronics document, Renesas Electronics products are not subject to radiation resistance design. You are responsible for implementing safety measures to guard against the possibility of bodily injury, injury or damage caused by fire, and/or danger to the public in the event of a failure or malfunction of Renesas Electronics products, such as safety design for hardware and software, including but not limited to redundancy, fire control and malfunction prevention, appropriate treatment for aging degradation or any other appropriate measures. Because the evaluation of microcomputer software alone is very difficult and impractical, you are responsible for evaluating the safety of the final products or systems manufactured by you.
8. Please contact a Renesas Electronics sales office for details as to environmental matters such as the environmental compatibility of each Renesas Electronics product. You are responsible for carefully and sufficiently investigating applicable laws and regulations that regulate the inclusion or use of controlled substances, including without limitation, the EU RoHS Directive, and using Renesas Electronics products in compliance with all these applicable laws and regulations. Renesas Electronics disclaims any and all liability for damages or losses occurring as a result of your noncompliance with applicable laws and regulations.
9. Renesas Electronics products and technologies shall not be used for or incorporated into any products or systems whose manufacture, use, or sale is prohibited under any applicable domestic or foreign laws or regulations. You shall comply with any applicable export control laws and regulations promulgated and administered by the governments of any countries asserting jurisdiction over the parties or transactions.
10. It is the responsibility of the buyer or distributor of Renesas Electronics products, or any other party who distributes, disposes of, or otherwise sells or transfers the product to a third party, to notify such third party in advance of the contents and conditions set forth in this document.
11. This document shall not be reprinted, reproduced or duplicated in any form, in whole or in part, without prior written consent of Renesas Electronics.
12. Please contact a Renesas Electronics sales office if you have any questions regarding the information contained in this document or Renesas Electronics products.  
(Note 1) "Renesas Electronics" as used in this document means Renesas Electronics Corporation and also includes its directly or indirectly controlled subsidiaries.  
(Note 2) "Renesas Electronics product(s)" means any product developed or manufactured by or for Renesas Electronics.

(Rev.4.0-1 November 2017)



### SALES OFFICES

Renesas Electronics Corporation

<http://www.renesas.com>

Refer to "<http://www.renesas.com/>" for the latest and detailed information.

**Renesas Electronics Corporation**  
TOYOSU FORESIA, 3-2-24 Toyosu, Koto-ku, Tokyo 135-0061, Japan

**Renesas Electronics America Inc.**  
1001 Murphy Ranch Road, Milpitas, CA 95035, U.S.A.  
Tel: +1-408-432-8888, Fax: +1-408-434-5351

**Renesas Electronics Canada Limited**  
9251 Yonge Street, Suite 8309 Richmond Hill, Ontario Canada L4C 9T3  
Tel: +1-905-237-2004

**Renesas Electronics Europe GmbH**  
Arcadiastrasse 10, 40472 Düsseldorf, Germany  
Tel: +49-211-6503-0, Fax: +49-211-6503-1327

**Renesas Electronics (China) Co., Ltd.**  
Room 101-T01, Floor 1, Building 7, Yard No. 7, 8th Street, Shangdi, Haidian District, Beijing 100085, China  
Tel: +86-10-8235-1155, Fax: +86-10-8235-7679

**Renesas Electronics (Shanghai) Co., Ltd.**  
Unit 301, Tower A, Central Towers, 555 Langao Road, Putuo District, Shanghai 200333, China  
Tel: +86-21-2226-0888, Fax: +86-21-2226-0999

**Renesas Electronics Hong Kong Limited**  
Unit 1601-1611, 16/F., Tower 2, Grand Century Place, 193 Prince Edward Road West, Mongkok, Kowloon, Hong Kong  
Tel: +852-2265-6688, Fax: +852 2886-9022

**Renesas Electronics Taiwan Co., Ltd.**  
13F, No. 363, Fu Shing North Road, Taipei 10543, Taiwan  
Tel: +886-2-8175-9600, Fax: +886 2-8175-9670

**Renesas Electronics Singapore Pte. Ltd.**  
80 Bendemeer Road, Unit #06-02 Hyflux Innovation Centre, Singapore 339949  
Tel: +65-6213-0200, Fax: +65-6213-0300

**Renesas Electronics Malaysia Sdn.Bhd.**  
Unit No 3A-1 Level 3A Tower 8 UOA Business Park, No 1 Jalan Pengaturcara U1/51A, Seksyen U1, 40150 Shah Alam, Selangor, Malaysia  
Tel: +60-3-5022-1288, Fax: +60-3-5022-1290

**Renesas Electronics India Pvt. Ltd.**  
No.777C, 100 Feet Road, HAL 2nd Stage, Indiranagar, Bangalore 560 038, India  
Tel: +91-80-67208700

**Renesas Electronics Korea Co., Ltd.**  
17F, KAMCO Yangjae Tower, 262, Gangnam-daero, Gangnam-gu, Seoul, 06265 Korea  
Tel: +82-2-558-3737, Fax: +82-2-558-5338



## X-ON Electronics

Largest Supplier of Electrical and Electronic Components

*Click to view similar products for [Logic Output Opto-couplers](#) category:*

*Click to view products by [Renesas](#) manufacturer:*

Other Similar products are found below :

[CPC1590P](#) [TLP705A\(F\)](#) [TLP700A\(F\)](#) [FOD3150](#) [TLP2348](#) [VO3120-X001](#) [ACPL-W343-560E](#) [ACPL-W340-560E](#) [H11L2S\(TA\)-V](#) [ACPL-P347-500E](#) [ACPL-P347-560E](#) [ACNT-H343-500E](#) [TLP5772H\(TP4,E\)](#) [TLP5772H\(TP,E\)](#) [TLP5771H\(TP4,E\)](#) [TLP5774H\(TP,E\)](#) [TLP5772H\(D4,E\)](#) [TLP5772H\(LF4,E\)](#) [TLP5771H\(D4,E\)](#) [TLP5774H\(D4,E\)](#) [TLP5771H\(E\)](#) [TLP5772H\(D4LF4,E\)](#) [TLP5774H\(LF4,E\)](#) [TLP5771H\(D4LF4,E\)](#) [TLP5771H\(LF4,E\)](#) [TLP5774H\(E\)](#) [H11L1S\(TA\)](#) [H11L3SR2M](#) [HCPL-0302-000E](#) [HCPL3700SD](#) [TLP155E\(TPL,E\)](#) [TLP2345\(E\(T](#) [TLP2348\(E\(T](#) [TLP350H\(F\)](#) [TLP701AF\(F\)](#) [MID400](#) [TLP351H\(F\)](#) [TLP5214\(TP,E\(O](#) [TLP5702\(TP,E](#) [ACPL-W343-500E](#) [TLP351H\(TP1,F\)](#) [FOD3120SDV](#) [FOD8160](#) [FOD3184TSR2V](#) [6N140A/883B](#) [HCPL-0466-500E](#) [HCPL-6750](#) [TLP700AF\(F\)](#) [TLP152\(TPL,E](#) [HCPL-5730](#)