

Introduction

The ZL6105 is an innovative power conversion and management IC that combines integrated MOSFET drivers with key power and fault management functions in a small package, resulting in a flexible and integrated solution. The ZL6105-1CH-DEMO1Z platform allows quick evaluation of the highly configurable ZL6105's performance and features in either stand-alone mode or via the SMBus™ interface using Intersil's PowerNavigator™ GUI software.

Specifications

This board has been configured and optimized for the following range of operating conditions:

- V_{IN} = 5.5V to 14V
- V_{OUT} = 0.6V to 3.6V
- I_{MAX} = 40A
- f_{SW} = 300kHz to 1333kHz
- Peak efficiency: >90% at 50% load
- Output ripple: <1% at 50% load

Key Features

- Optimized for small circuit footprint
- Onboard enable switch
- Power-good indicator
- SMBus control interface
- Interconnectivity with other Intersil demo boards

References

- [ZL6105](#), Datasheet
- [AN2010](#), "Thermal and Layout Guidelines for Digital-DC™ Products"
- [AN2035](#), "Compensation Using CompZL™"
- [AN1779](#), "Configuring Current Sharing on the ZL6105 and ZL8101"
- [TB389](#), "PCB Land Pattern and Surface Mount Guidelines for QFN Packages"

Ordering Information

PART NUMBER	DESCRIPTION
ZL6105-1CH-DEMO1Z	ZL6105 Evaluation Kit, one channel (EVB, USB adapter, Cable, Software)

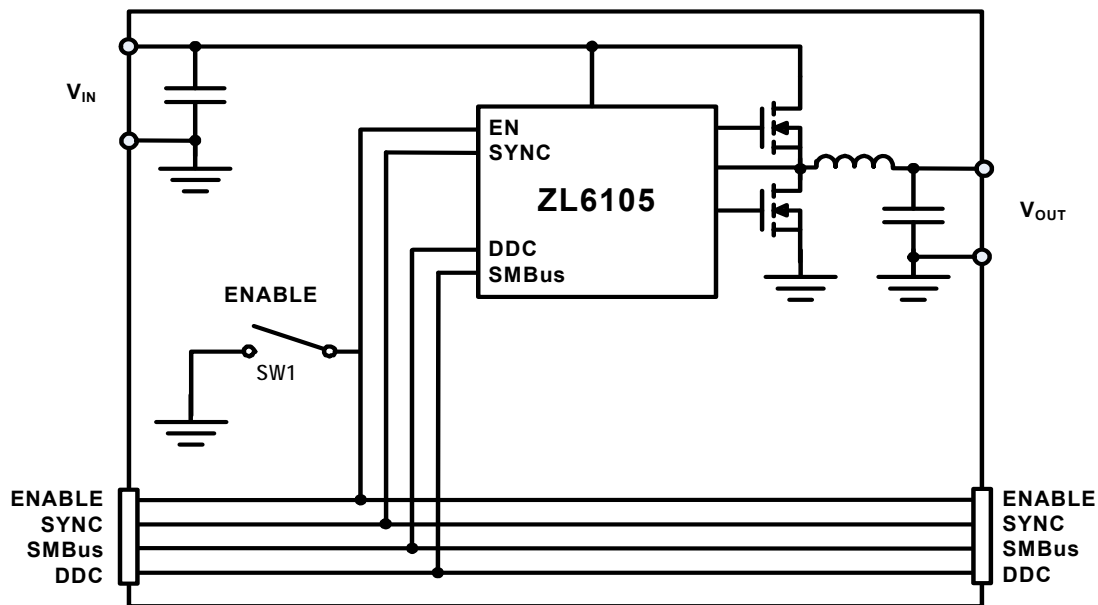


FIGURE 1. ZL6105-1CH-DEMO1Z SIMPLIFIED SCHEMATIC

ZL6105-1CH-DEMO1Z BOARD

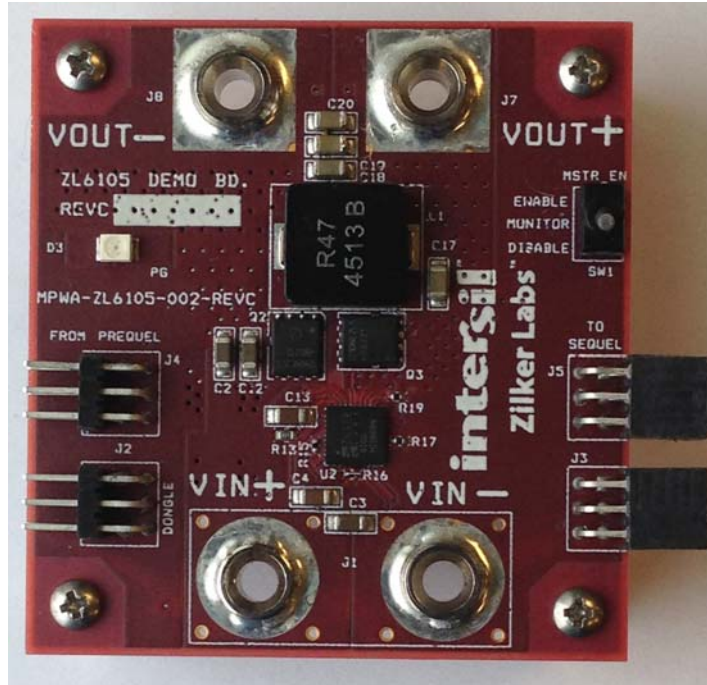


FIGURE 2. TOP SIDE

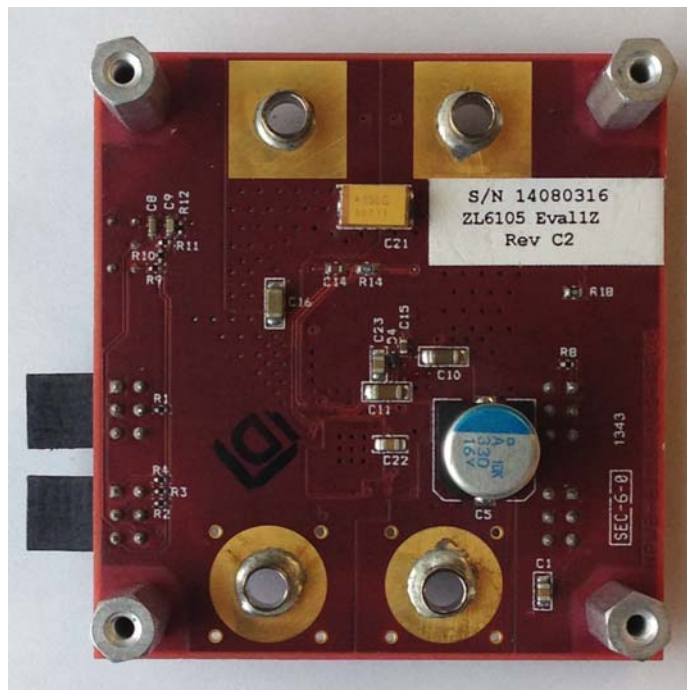


FIGURE 3. BOTTOM SIDE

Functional Description

The ZL6105-1CH-DEMO1Z provides all of the circuitry required to demonstrate features of the ZL6105. The ZL6105-1CH-DEMO1Z has a functionally optimized layout that allows efficient operation up to the maximum output current. Power and load connections are provided through plug-in sockets. Standalone operation is achieved using a combination of pin-strap settings and stored settings. The pin-strap setting details are described in the ZL6105 datasheet. The stored settings are listed on [“Default Configuration Settings” on page 14](#).

The ZL6105-1CH-DEMO1Z Demonstration Board schematics are shown in [Figures 4](#) and [5](#). The hardware enable function is controlled by a toggle switch. The Power-Good (PG) LED indicates that V_{OUT} is regulating. The right angle headers at opposite ends of the board are for connecting a USB to SMBus control board or for daisy chaining of multiple Intersil evaluation boards.

Connecting multiple Intersil Digital boards allows the user to setup many shared features such as clock synchronization, controlled sequencing, phase spreading and fault spreading within Intersil's PowerNavigator™ software as part of a single power project. This document provides operational instructions, schematics, bill of materials and PCB layers with layout notes for reference. [Figures 14](#) through [19](#) show performance data taken using this hardware in its optimized configuration. The configuration settings that the hardware ships with are shown on [page 14](#).

Operating Range

By default, the ZL6105-1CH-DEMO1Z is configured to provide 1V at up to 40A at 400kHz f_{SW} . The board can also support a wider operating range and modifying the operating conditions will change the performance results.

The board V_{IN} range is 4.5V to 14V. The board V_{OUT} setting is fixed at 1V by PMBus setting, but the range is programmable from 0.54V to 3.6V (including margin high/low) using the $V_{OUT_COMMAND}$ PMBus command. The maximum value of 3.6V is limited by pin strap. The board I_{OUT} range is 0 to 40A. For continuous operation at 40A, airflow across the board may be needed.

The switching frequency (f_{SW}) is set to 400kHz by PMBus command, but the f_{SW} setting can be changed by using the $FREQUENCY_SWITCH$ PMBus command (while the device is disabled). The f_{SW} range is 300kHz to 1.33MHz.

Quick Start Guide

Stand Alone Operation

1. Ensure that the board is properly connected to the supply and loads before applying any power.
2. Set Enable switch to “DISABLE”.
3. Apply Load to V_{OUT+}/V_{OUT-} .
4. Connect the USB adapter cable to the host computer.
5. Connect the USB to SMBus adapter to J2 (Required to provide external power for enable switch).
6. Connect the input power supply to V_{IN+}/V_{IN-} .
7. Turn input supply on.
8. Set Enable switch to “ENABLE”.
9. Test ZL6105 operation.

USB (PMBus) Operation

1. Follow steps 1 through 7 of Stand Alone Operation.
2. Download PowerNavigator software from the Intersil website and install.
3. Use the GUI to operate at V_{OUT} up to 3.6V.
4. Set the Enable switch to “ENABLE”.
5. Monitor and configure the ZL6105 using the PowerNavigator software.

ZL6105-1CH-DEMO1Z Schematics

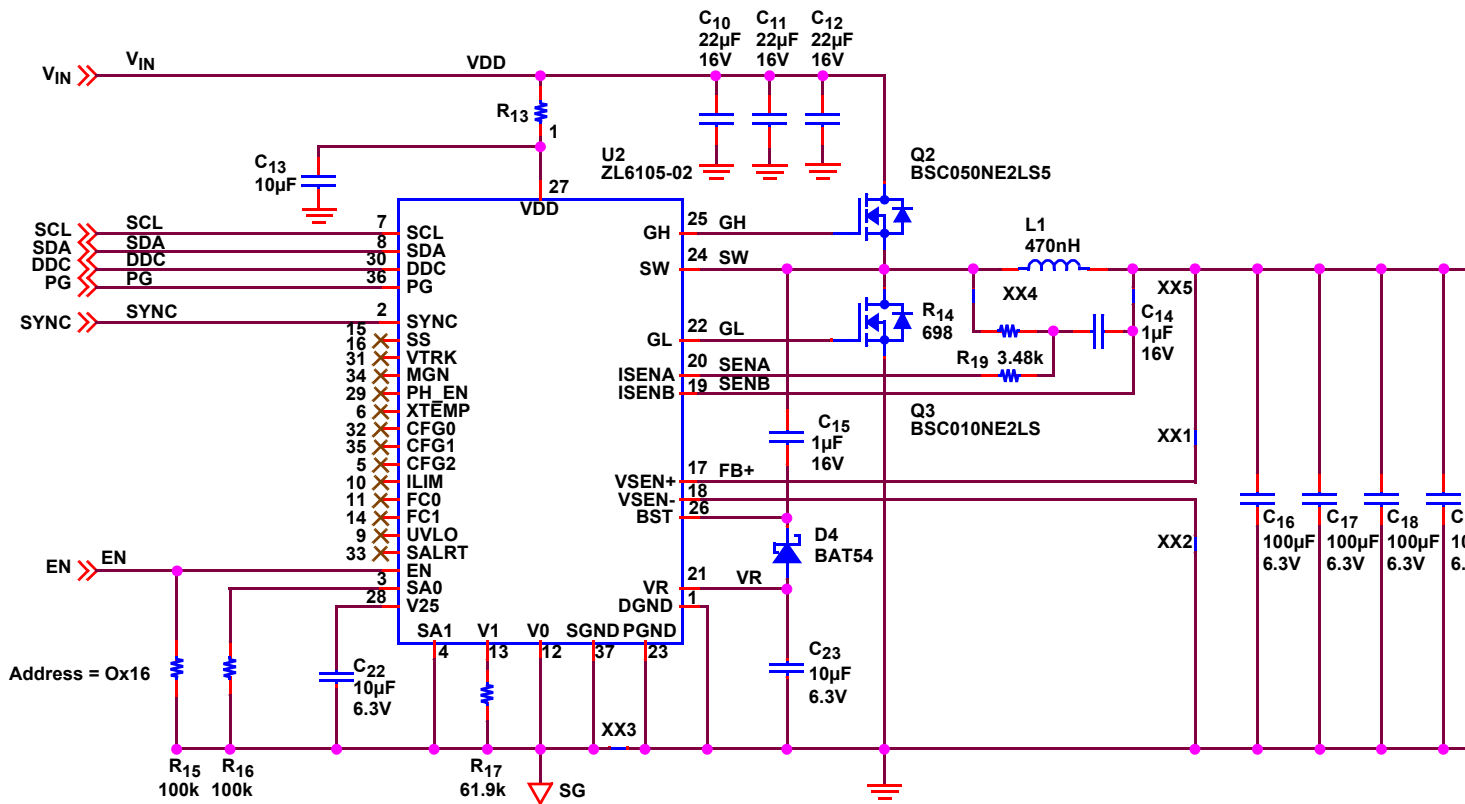


FIGURE 4. ZL6105-1CH-DEMO1Z DEMO BOARD

ZL6105-1CH-DEMO1Z Schematics (Continued)

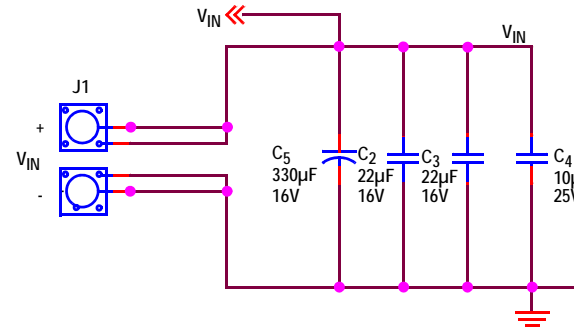
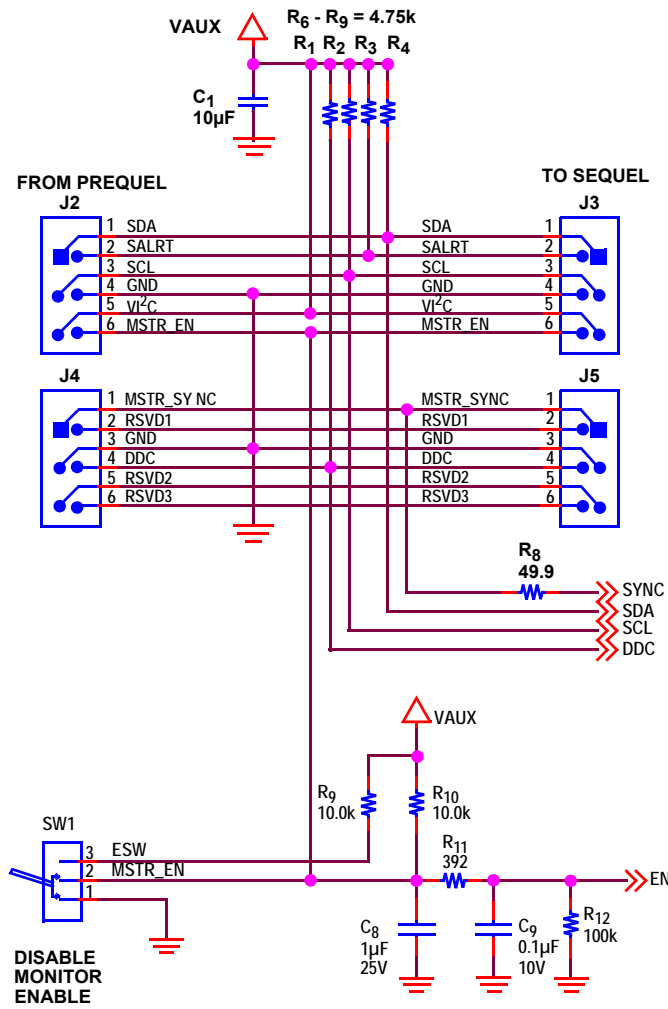


FIGURE 5. ZL6105-1CH-DEMO1Z INTERFACE

Bill of Materials

QTY	REFERENCE	VALUE	TOL (%)	RATING	TYPE	PCB FOOTPRINT	MANUFACTURER	PART NUMBER
1	U2	ZL6105				MLF36_6X6BX	Intersil Corporation	
2	C2, C3	22µF	20	16V	X5R	SM1206	Murata	GRM31CR61C226ME15L
1	C4	10µF	10	25V	X5R	SM1206	Panasonic - ECG	ECJ-3YB1E106K
1	C5	330µ	20	16V	AL POLY	SM_CAP_10.5X10.5_PX A_FLD	United Chemi-Con	APXA160ARA331MJCOG
1	C8	1µF	10	25V	X5R	SM0603	Taiyo Yuden	TMK107BJ105KA-T
1	C9	0.1µF	10	10V	X7R	SM0603	Kemet	C0603C104K8RACTU
3	C10, C11, C12	22µF	20	16V	X5R	SM1206	Panasonic - ECG	ECJ-3YB1C226M
1	C13	10µF	10	25V	X7R	SM1206	Taiyo Yuden	TMK316B7106KL-TD
2	C14, C15	1µF	10	16V	X7R	SM0603	AVX Corporation	0603YC105KAT2A
5	C16, C17, C18, C19, C20	100µF	20	6.3V	X5R	SM1206	TDK Corporation	C3216X5R0J107M
1	C21	1500µF	20	4V	AL POLY	SM7343_KEMET_T530_ BC	AVX	TPME158K004R0018
2	C22, C23	10µF	10	6.3V	X7R	SM0805	TDK Corporation	CGA4J1X7R0J106K125AC
1	D4	BAT54		30V	Schottky	SOD_523	ON Semiconductor	BAT54XV2T10S
1	L1	470nH		0.8mΩ	Inductor	IND_HCM1305_XX	Cooper Bussmann	HCM1305-R47-R
1	Q2	BSC050NE2LS5		30V		PG_TDSO8_8_LAS	Infineon	
1	Q3	BSC010NE2LS		30V		PG_TDSO8_8_LAS	Infineon	
4	R1, R2, R3, R4	4.75k	1		1/16W	SM0402	Panasonic - ECG	ERJ-2RKF4751X
1	R13	1	1		1/16W	SM0603	Panasonic - ECG	ERJ-3RQF1R0V
1	R14	953	1		1/16W	SM0603	Panasonic	ERJ-3EKF9530V
2	R15, R16	100k	1		1/16W	SM0402	Vishay/Dale	CRCW0402100KFKED
1	R17	133k	1		1/16W	SM0402	Panasonic - ECG	ERJ-2RKF1333X
1	R19	3.48k	1		1/16W	SM0402	Panasonic - ECG	ERJ-2RKF3481X
ANCILLARY PARTS SPECIFIC TO DEMO BOARD OPERATION								
1	C1	10µF	10	10V	X7R	SM0805	Taiyo Yuden	LMK212B7106KG-TD
1	D3	GRN		1.8V		DIO_LG_T67K	Osram	LG T67K-H2K1-24-Z
2	J2, J4	HDR_3x2_RA			RA	HDRM3DUALRA100X10 0	SAMTEC	TSW-103-08-T-D-RA
2	J3, J5	SKT_3x2_RA			RA	HDRF3DUALRA100X100	SAMTEC	SSQ-103-02-T-D-RA
1	R8	49.9	1	100mW	THK FILM	SM0402	PANASONIC-ECG	ERJ-2RKF49R9X
2	R9, R10	10.0k	1	63mW	THK FILM	SM0402	Panasonic - ECG	ERJ-2RKF1002X
1	R11	392	1	100mW	THK FILM	SM0402	Panasonic	ERJ-2RKF3920X
1	R12	100k	1	63mW	THK FILM	SM0402	Panasonic - ECG	ERJ-2RKF1003X
1	R18	1.5K	1	63mW	THK FILM	SM0603	Panasonic - ECG	ERJ-3EKF1501V
1	SW1	SW_SPDT			PCB VERT	SW_TOG_ULTRAMIN_SP DT	NKK	G13AP-RO

Bill of Materials (Continued)

QTY	REFERENCE	VALUE	TOL (%)	RATING	TYPE	PCB FOOTPRINT	MANUFACTURER	PART NUMBER
4	J1A, J1B, J7, J8	JACK_BANANA				JACK_KEystone_575-4	Keystone Electronics	575-4
4		STANDOFF_#4-40.75LG				STANDOFF_4-40_NDH		
4		SCREW_#4-40.25"				SCREW_4-40		

Measured Data

The following data was obtained using a ZL6105-1CH-DEMO1Z evaluation board. $V_{IN} = 12V$ for all data.

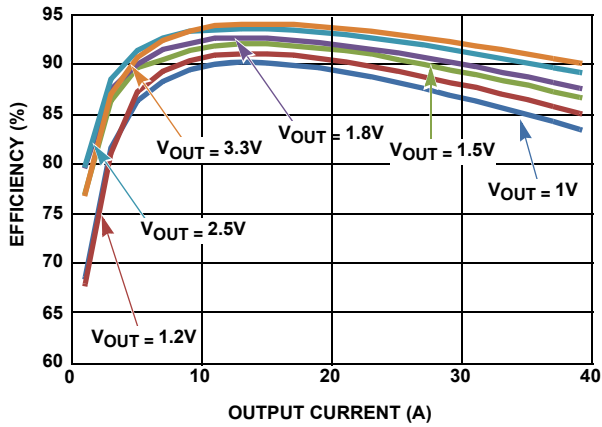


FIGURE 6. EFFICIENCY DATA AT 300kHz

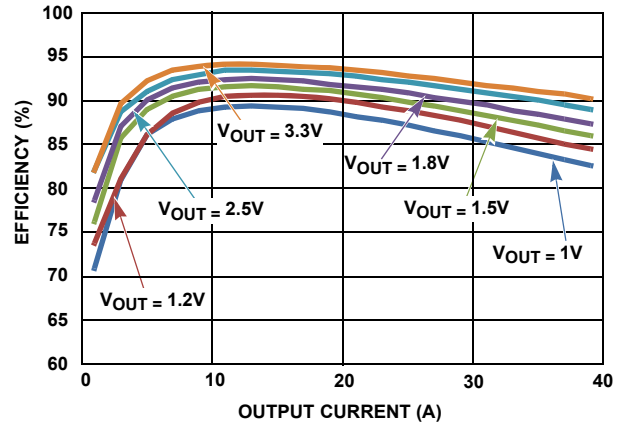


FIGURE 7. EFFICIENCY DATA AT 400kHz

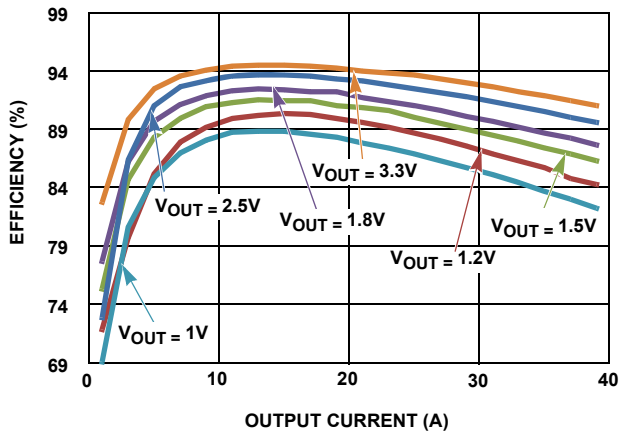


FIGURE 8. EFFICIENCY DATA AT 500kHz

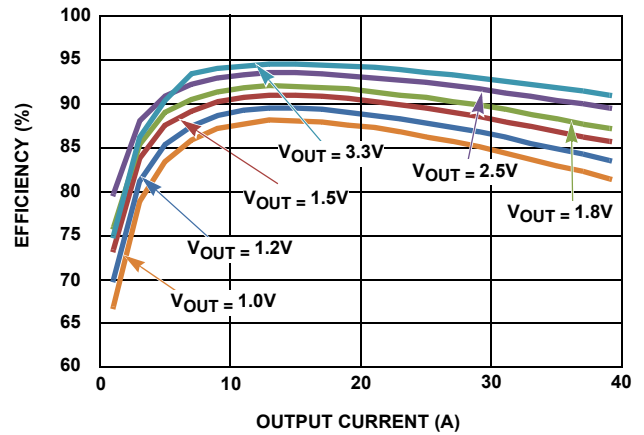


FIGURE 9. EFFICIENCY DATA AT 600kHz

Measured Data

The following data was obtained using a ZL6105-1CH-DEMO1Z evaluation board. $V_{IN} = 12V$ for all data. (Continued)

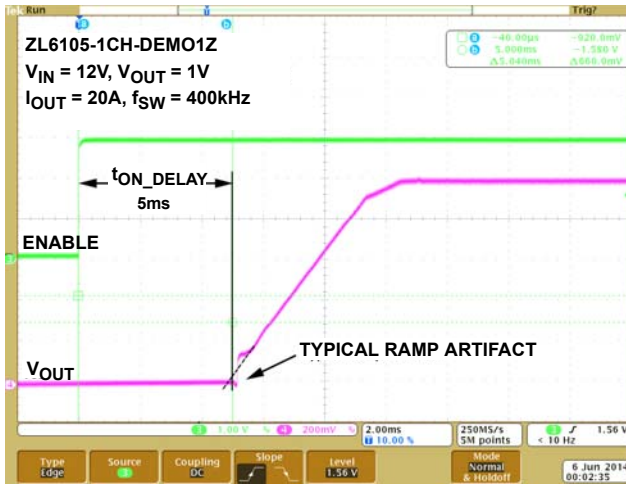


FIGURE 10. TYPICAL TURN-ON RAMP, $t_{RISE} = 5ms$, $t_{ON_DELAY} = 5ms$

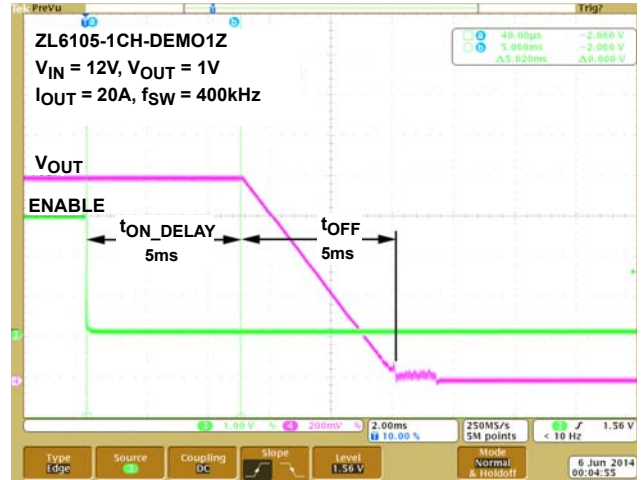


FIGURE 11. TYPICAL TURN-OFF RAMP, $t_{FALL} = 5ms$, $t_{OFF_DELAY} = 5ms$

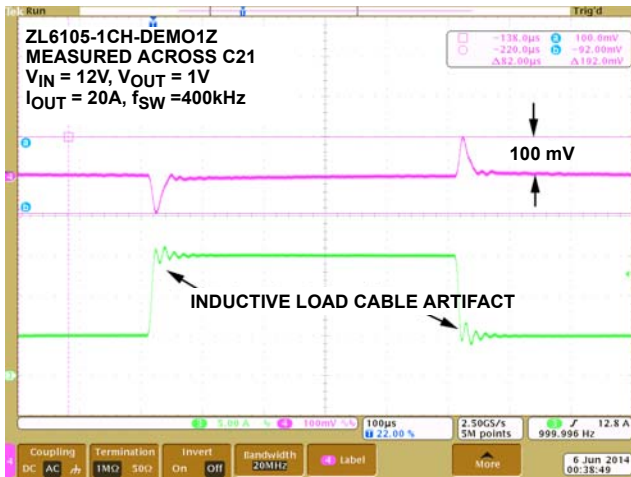


FIGURE 12. TRANSIENT RESPONSE 5 TO 15A, $5A/\mu$

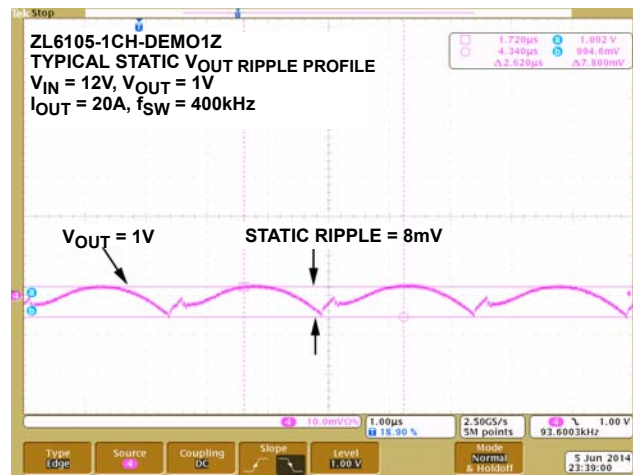


FIGURE 13. STATIC RIPPLE

ZL6105 PCB Layout Guidelines

Device Ground Pins

- SGND is the analog reference for VDD, VR, V25, XTEMP and the pin straps. Very little current passes through this path normally.
- DGND is the high current digital GND return path for the controller. It is isolated internally from SGND to avoid noise coupling.
- PGND is the high current GND return for the MOSFET drivers and the bootstrap circuit. It is isolated internally from SGND to avoid noise coupling.

Ground Pin Usage

- The pins are isolated within the device only to avoid noise coupling through the package and bond wires. They should be tied together on the PCB with a very low impedance connection for best operation. If the DGND pin is not closely coupled to SGND, the SGND pin will become a current path for digital circuits and will get noisy.

Device Power Supply Pins

- VDD is the input supply pin. It provides power to the internal VR regulator.
- VR is the internal 5V regulator used to power the MOSFET drivers and the V25 regulator.
- V25 is the internal 2.5V regulator used to power the digital circuits.

Power Supply Pin Usage

- VDD, VR and V25 are all referenced to SGND and all need to have capacitors placed closely to the pins.

ZL6105 Voltage, Current and Temperature Sense Connections

- Ensure that the current sense signals are routed differentially and that the averaging circuit is Kelvin connected to the sensing element for most accurate current sense.
- Ensure that the voltage sense signals are routed differentially and are Kelvin connected to the final capacitor away from the inductor for best noise performance.
- Ensure that the XTEMP and SGND traces are routed differentially to the temperature sensing transistor.

ZL6105-1CH-DEMO1Z Board Layout - 6 Layers

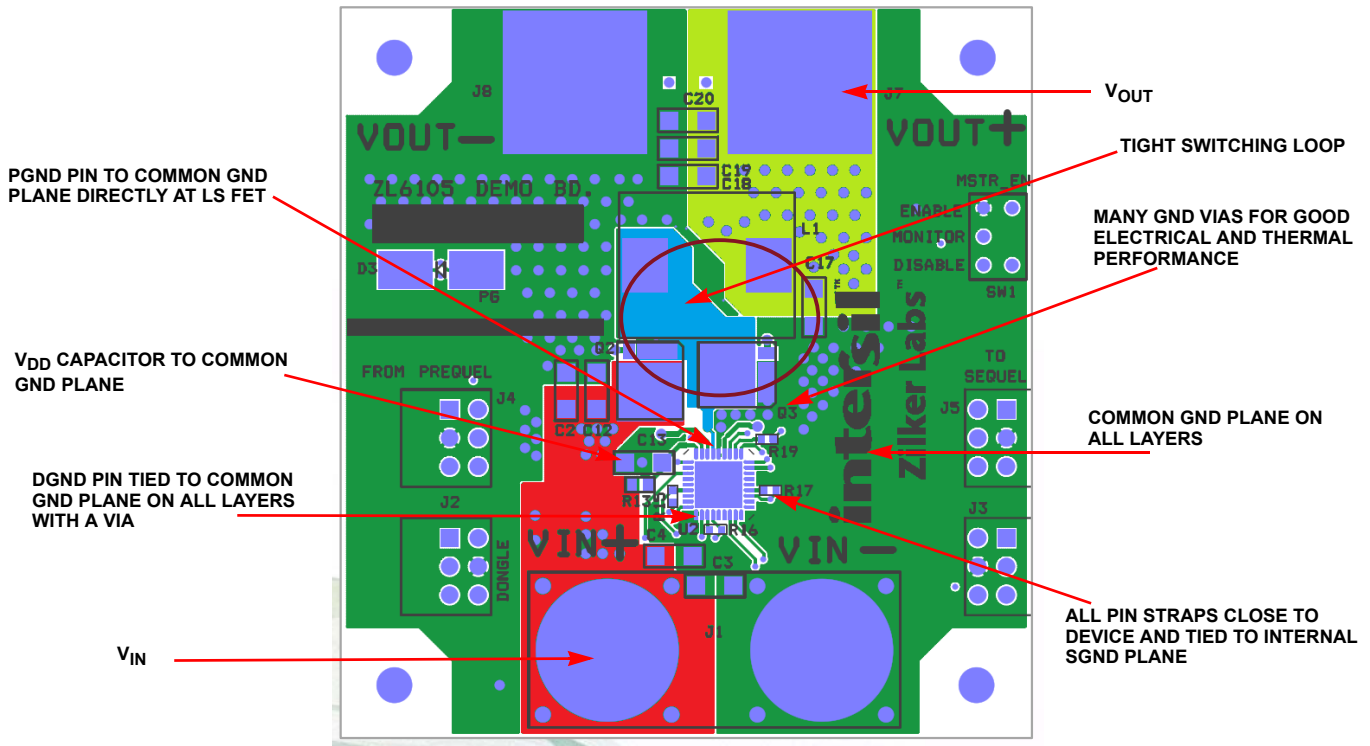


FIGURE 14. PCB TOP LAYER

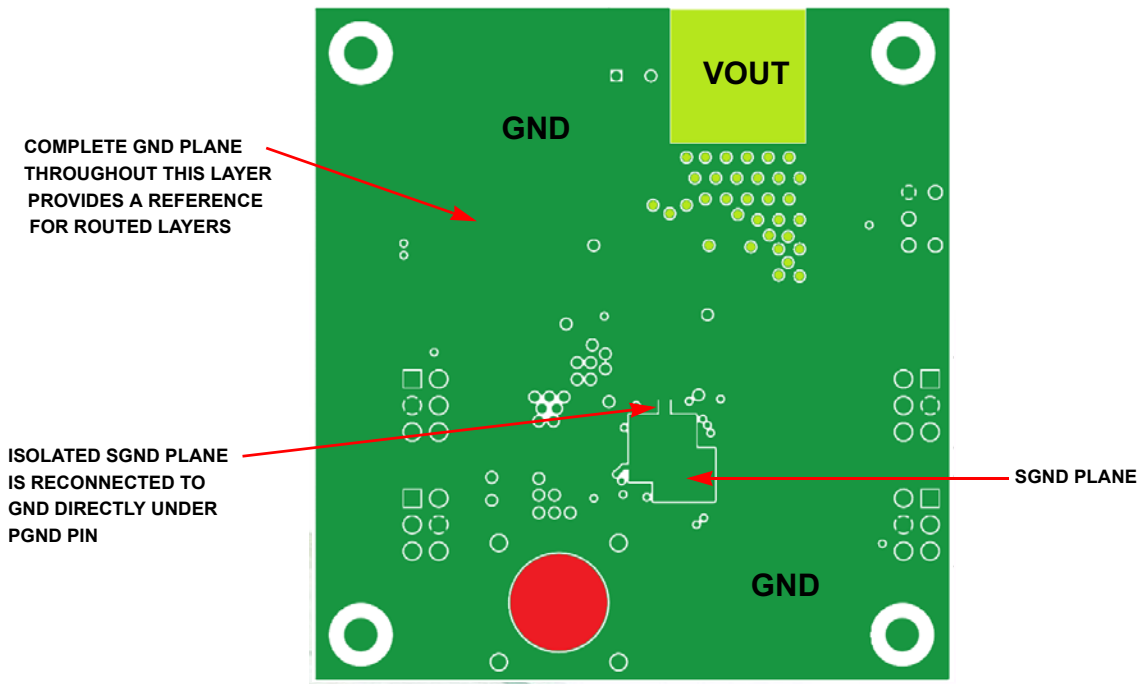


FIGURE 15. INNER LAYER 1

ZL6105-1CH-DEMO1Z Board Layout - 6 Layers

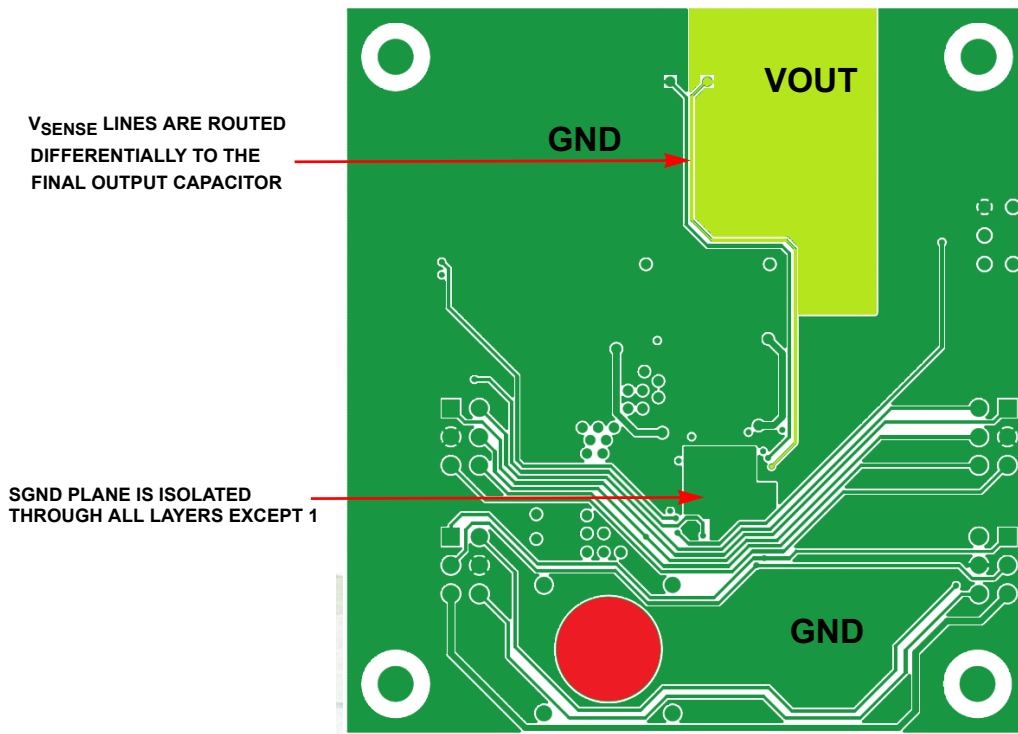


FIGURE 16. INNER LAYER 2

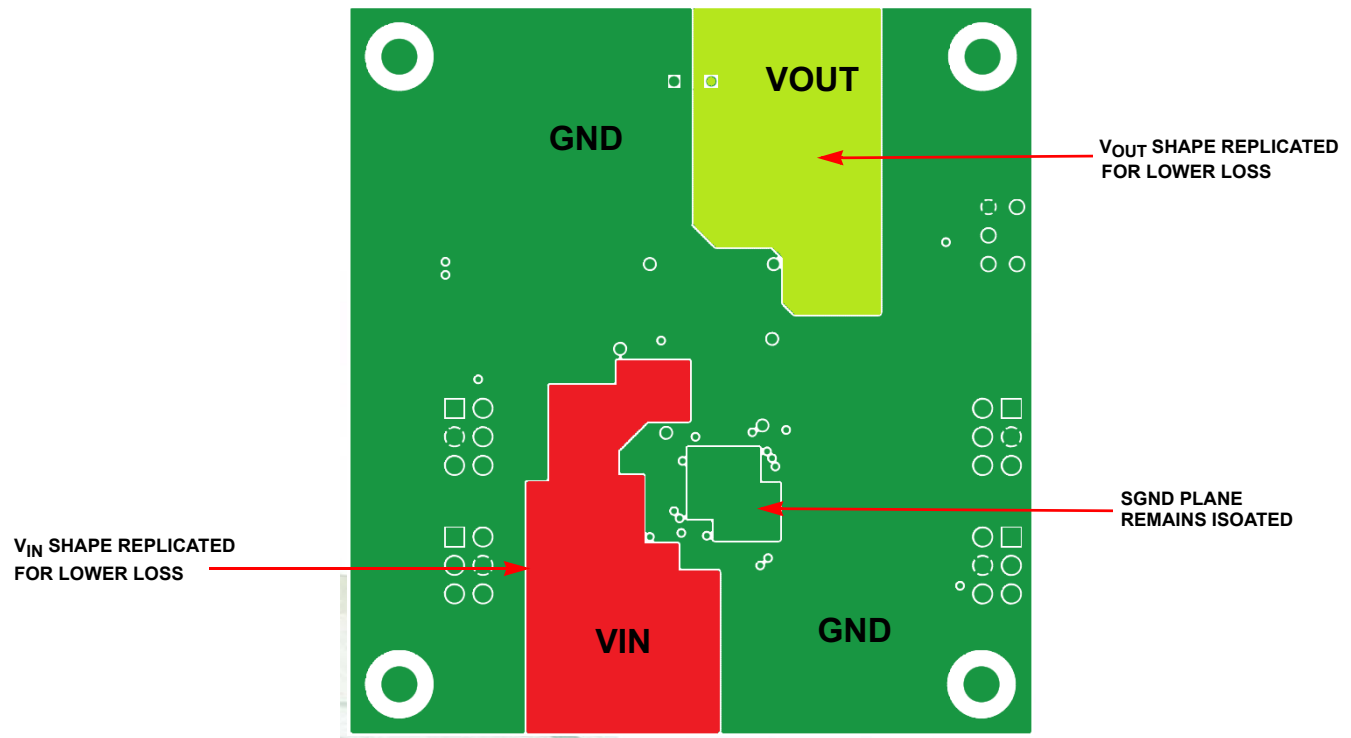


FIGURE 17. INNER LAYER 3

ZL6105-1CH-DEMO1Z Board Layout - 6 Layers

REPLICATION OF
INNER LAYER 3
FOR LOWER LOSS

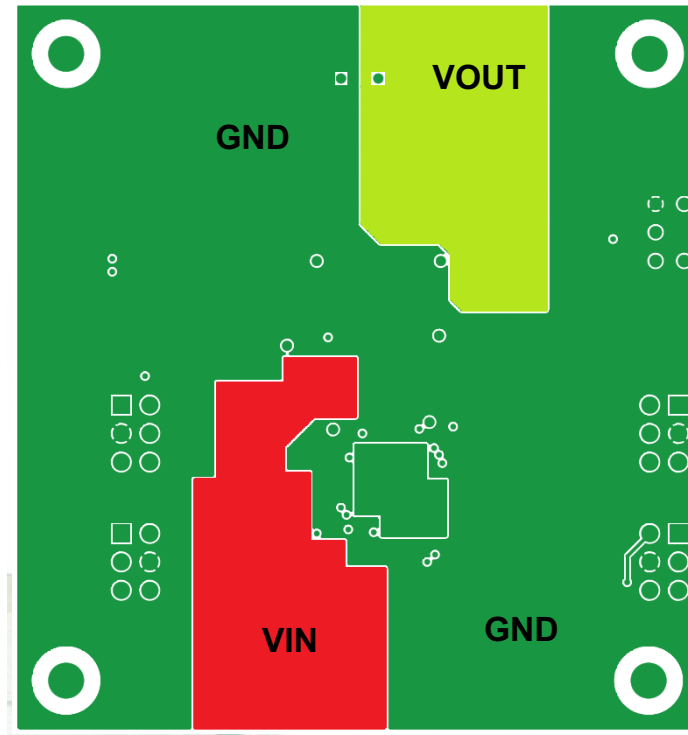
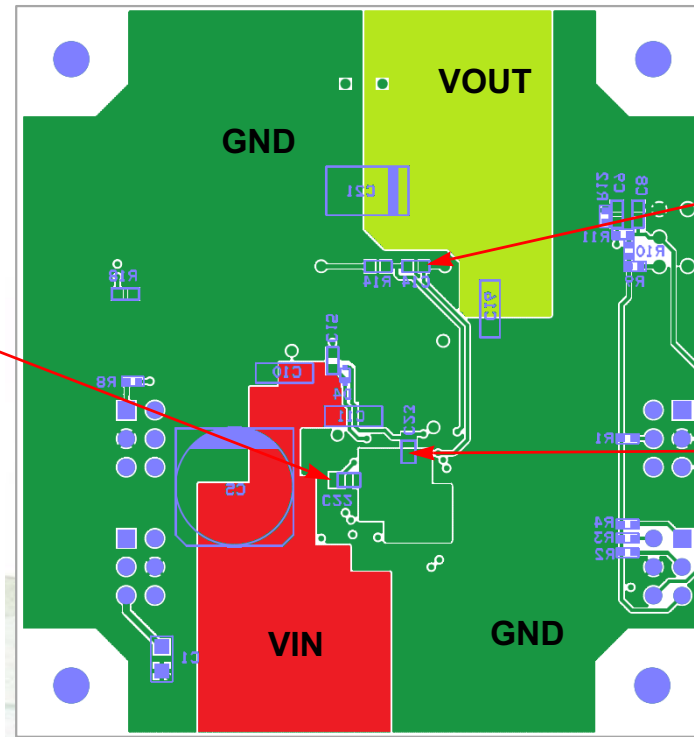


FIGURE 18. INNER LAYER 4

V25 CAPACITOR CLOSE TO THE
DEVICE AND TIED TO
SGND PLANE



I_{SENSE} LINES ARE ROUTED
DIFFERENTIALLY AND KELVIN
CONNECTED TO THE INDUCTOR

VR CAPACITOR CLOSE TO THE
DEVICE AND TIED TO SGND
PLANE NEAR THE SGND/GND
RECONNECTION POINT

FIGURE 19. BOTTOM LAYER

Default Configuration Settings

The following configuration file is loaded into the ZL6105 on the ZL6105-1CH-DEMO1Z in the Default Store. The # symbol is used to denote comments. Anything following the # symbol is ignored.

PMBus COMMAND	VALUE	NOTES
ON_OFF_CONFIG	0x17	#Pin Enable, immediate off
MFR_ID	Intersil	
MFR_MODEL	ZL6105-1CH-DEMO1Z	
MFR_LOCATION	Austin, TX	
MFR_REVISION	Rev 1.0	
VOUT_COMMAND	1	#V
VOUT_UV_FAULT_RESPONSE	0x80	#Immediate shutdown
OVUV_CONFIG	0x00	#Disabled
IOUT_CAL_GAIN	0.84	#mΩ
IOUT_OC_FAULT_LIMIT	50	#A
IOUT_AVG_OC_FAULT_LIMIT	50	#A
IOUT_UC_FAULT_LIMIT	-30	#A
IOUT_AVG_UC_FAULT_LIMIT	-30	#A
FREQUENCY_SWITCH	400	#kHz
DEADTIME	0x2020	#32ns
DEADTIME_CONFIG	0x0606	#2ns Min, Dynamic
DEADTIME_MAX	0x2020	#32,56ns Max
INDUCTOR	0.47	#μH
MFR_CONFIG	0x8412	
USER_CONFIG	0x0011	
TEMPCO_CONFIG	0x28	
MISC_CONFIG	0x2000	
AUTO_COMP_CONFIG	0x79	#Enabled, 80% Gain
STORE_DEFAULT_ALL		
RESTORE_DEFAULT_ALL		
RESTORE_USER_ALL		

Notice

1. Descriptions of circuits, software and other related information in this document are provided only to illustrate the operation of semiconductor products and application examples. You are fully responsible for the incorporation or any other use of the circuits, software, and information in the design of your product or system. Renesas Electronics disclaims any and all liability for any losses and damages incurred by you or third parties arising from the use of these circuits, software, or information.
2. Renesas Electronics hereby expressly disclaims any warranties against and liability for infringement or any other claims involving patents, copyrights, or other intellectual property rights of third parties, by or arising from the use of Renesas Electronics products or technical information described in this document, including but not limited to, the product data, drawings, charts, programs, algorithms, and application examples.
3. No license, express, implied or otherwise, is granted hereby under any patents, copyrights or other intellectual property rights of Renesas Electronics or others.
4. You shall not alter, modify, copy, or reverse engineer any Renesas Electronics product, whether in whole or in part. Renesas Electronics disclaims any and all liability for any losses or damages incurred by you or third parties arising from such alteration, modification, copying or reverse engineering.
5. Renesas Electronics products are classified according to the following two quality grades: "Standard" and "High Quality". The intended applications for each Renesas Electronics product depends on the product's quality grade, as indicated below.
"Standard": Computers; office equipment; communications equipment; test and measurement equipment; audio and visual equipment; home electronic appliances; machine tools; personal electronic equipment; industrial robots; etc.
"High Quality": Transportation equipment (automobiles, trains, ships, etc.); traffic control (traffic lights); large-scale communication equipment; key financial terminal systems; safety control equipment; etc.
Unless expressly designated as a high reliability product or a product for harsh environments in a Renesas Electronics data sheet or other Renesas Electronics document, Renesas Electronics products are not intended or authorized for use in products or systems that may pose a direct threat to human life or bodily injury (artificial life support devices or systems; surgical implantations; etc.), or may cause serious property damage (space system; undersea repeaters; nuclear power control systems; aircraft control systems; key plant systems; military equipment; etc.). Renesas Electronics disclaims any and all liability for any damages or losses incurred by you or any third parties arising from the use of any Renesas Electronics product that is inconsistent with any Renesas Electronics data sheet, user's manual or other Renesas Electronics document.
6. When using Renesas Electronics products, refer to the latest product information (data sheets, user's manuals, application notes, "General Notes for Handling and Using Semiconductor Devices" in the reliability handbook, etc.), and ensure that usage conditions are within the ranges specified by Renesas Electronics with respect to maximum ratings, operating power supply voltage range, heat dissipation characteristics, installation, etc. Renesas Electronics disclaims any and all liability for any malfunctions, failure or accident arising out of the use of Renesas Electronics products outside of such specified ranges.
7. Although Renesas Electronics endeavors to improve the quality and reliability of Renesas Electronics products, semiconductor products have specific characteristics, such as the occurrence of failure at a certain rate and malfunctions under certain use conditions. Unless designated as a high reliability product or a product for harsh environments in a Renesas Electronics data sheet or other Renesas Electronics document, Renesas Electronics products are not subject to radiation resistance design. You are responsible for implementing safety measures to guard against the possibility of bodily injury, injury or damage caused by fire, and/or danger to the public in the event of a failure or malfunction of Renesas Electronics products, such as safety design for hardware and software, including but not limited to redundancy, fire control and malfunction prevention, appropriate treatment for aging degradation or any other appropriate measures. Because the evaluation of microcomputer software alone is very difficult and impractical, you are responsible for evaluating the safety of the final products or systems manufactured by you.
8. Please contact a Renesas Electronics sales office for details as to environmental matters such as the environmental compatibility of each Renesas Electronics product. You are responsible for carefully and sufficiently investigating applicable laws and regulations that regulate the inclusion or use of controlled substances, including without limitation, the EU RoHS Directive, and using Renesas Electronics products in compliance with all these applicable laws and regulations. Renesas Electronics disclaims any and all liability for damages or losses occurring as a result of your noncompliance with applicable laws and regulations.
9. Renesas Electronics products and technologies shall not be used for or incorporated into any products or systems whose manufacture, use, or sale is prohibited under any applicable domestic or foreign laws or regulations. You shall comply with any applicable export control laws and regulations promulgated and administered by the governments of any countries asserting jurisdiction over the parties or transactions.
10. It is the responsibility of the buyer or distributor of Renesas Electronics products, or any other party who distributes, disposes of, or otherwise sells or transfers the product to a third party, to notify such third party in advance of the contents and conditions set forth in this document.
11. This document shall not be reprinted, reproduced or duplicated in any form, in whole or in part, without prior written consent of Renesas Electronics.
12. Please contact a Renesas Electronics sales office if you have any questions regarding the information contained in this document or Renesas Electronics products.
(Note 1) "Renesas Electronics" as used in this document means Renesas Electronics Corporation and also includes its directly or indirectly controlled subsidiaries.
(Note 2) "Renesas Electronics product(s)" means any product developed or manufactured by or for Renesas Electronics.

(Rev.4.0-1 November 2017)



SALES OFFICES

Renesas Electronics Corporation

<http://www.renesas.com>

Refer to "<http://www.renesas.com/>" for the latest and detailed information.

Renesas Electronics America Inc.
1001 Murphy Ranch Road, Milpitas, CA 95035, U.S.A.
Tel: +1-408-432-8888, Fax: +1-408-434-5351

Renesas Electronics Canada Limited
9251 Yonge Street, Suite 8309 Richmond Hill, Ontario Canada L4C 9T3
Tel: +1-905-237-2004

Renesas Electronics Europe Limited
Dukes Meadow, Millboard Road, Bourne End, Buckinghamshire, SL8 5FH, U.K
Tel: +44-1628-651-700, Fax: +44-1628-651-804

Renesas Electronics Europe GmbH
Arcadiastrasse 10, 40472 Düsseldorf, Germany
Tel: +49-211-6503-0, Fax: +49-211-6503-1327

Renesas Electronics (China) Co., Ltd.
Room 1709 Quantum Plaza, No.27 ZhichunLu, Haidian District, Beijing, 100191 P. R. China
Tel: +86-10-8235-1155, Fax: +86-10-8235-7679

Renesas Electronics (Shanghai) Co., Ltd.
Unit 301, Tower A, Central Towers, 555 Langao Road, Putuo District, Shanghai, 200333 P. R. China
Tel: +86-21-2226-0888, Fax: +86-21-2226-0999

Renesas Electronics Hong Kong Limited
Unit 1601-1611, 16/F., Tower 2, Grand Century Place, 193 Prince Edward Road West, Mongkok, Kowloon, Hong Kong
Tel: +852-2265-6688, Fax: +852-2886-9022

Renesas Electronics Taiwan Co., Ltd.
13F, No. 363, Fu Shing North Road, Taipei 10543, Taiwan
Tel: +886-2-8175-9600, Fax: +886-2-8175-9670

Renesas Electronics Singapore Pte. Ltd.
80 Bendemeer Road, Unit #06-02 Hyflux Innovation Centre, Singapore 339949
Tel: +65-6213-0200, Fax: +65-6213-0300

Renesas Electronics Malaysia Sdn.Bhd.
Unit 1207, Block B, Menara Amcorp, Amcorp Trade Centre, No. 18, Jln Persiaran Barat, 46050 Petaling Jaya, Selangor Darul Ehsan, Malaysia
Tel: +60-3-7955-9390, Fax: +60-3-7955-9510

Renesas Electronics India Pvt. Ltd.
No.777C, 100 Feet Road, HAL 2nd Stage, Indiranagar, Bangalore 560 038, India
Tel: +91-80-67208700, Fax: +91-80-67208777

Renesas Electronics Korea Co., Ltd.
17F, KAMCO Yangjae Tower, 262, Gangnam-daero, Gangnam-gu, Seoul, 06265 Korea
Tel: +82-2-558-3737, Fax: +82-2-558-5338

X-ON Electronics

Largest Supplier of Electrical and Electronic Components

Click to view similar products for [Power Management IC Development Tools](#) category:

Click to view products by [Renesas](#) manufacturer:

Other Similar products are found below :

[EVAL-ADM1168LQEBZ](#) [EVB-EP5348UI](#) [MIC23451-AAAYFL EV](#) [MIC5281YMME EV](#) [DA9063-EVAL](#) [ADP122-3.3-EVALZ](#) [ADP130-0.8-EVALZ](#) [ADP130-1.2-EVALZ](#) [ADP130-1.5-EVALZ](#) [ADP130-1.8-EVALZ](#) [ADP1714-3.3-EVALZ](#) [ADP1716-2.5-EVALZ](#) [ADP1740-1.5-EVALZ](#) [ADP1752-1.5-EVALZ](#) [ADP1828LC-EVALZ](#) [ADP1870-0.3-EVALZ](#) [ADP1871-0.6-EVALZ](#) [ADP1873-0.6-EVALZ](#) [ADP1874-0.3-EVALZ](#) [ADP1882-1.0-EVALZ](#) [ADP199CB-EVALZ](#) [ADP2102-1.25-EVALZ](#) [ADP2102-1.875EVALZ](#) [ADP2102-1.8-EVALZ](#) [ADP2102-2-EVALZ](#) [ADP2102-3-EVALZ](#) [ADP2102-4-EVALZ](#) [ADP2106-1.8-EVALZ](#) [ADP2147CB-110EVALZ](#) [AS3606-DB](#) [BQ24010EVM](#) [BQ24075TEVM](#) [BQ24155EVM](#) [BQ24157EVM-697](#) [BQ24160EVM-742](#) [BQ24296MEVM-655](#) [BQ25010EVM](#) [BQ3055EVM](#) [NCV891330PD50GEVB](#) [ISLUSBI2CKIT1Z](#) [LM2744EVAL](#) [LM2854EVAL](#) [LM3658SD-AEV/NOPB](#) [LM3658SDEV/NOPB](#) [LM3691TL-1.8EV/NOPB](#) [LM4510SDEV/NOPB](#) [LM5033SD-EVAL](#) [LP38512TS-1.8EV](#) [EVAL-ADM1186-1MBZ](#) [EVAL-ADM1186-2MBZ](#)