

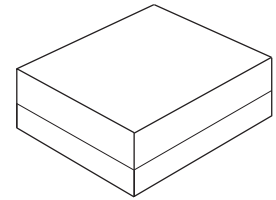
Complies with Directive 2002/95/EC (RoHS)

Absolute Maximum Ratings

Rating	Value	Units
Input Power Level	13	dBm
DC Voltage	0	VDC
Specification Temperature Range	-40 to +85	°C
Storage Temperature Range	-40 to +85	°C
Moisture Sensitivity Level: 3		
Symbolization: 16J Package size: SMD 1.4 x 1.1 mm		

SF2735K

**925 MHz
SAW Filter**



SM1411-5

Electrical Characteristics

Terminating source impedance (single): $Z_s = 50 \Omega$

Terminating load impedance (single): $Z_L = 50 \Omega$

Item	Unit	Min.	Typ.	Max.	Note
Center Frequency Fc	MHz	-	925	-	-
Insertion Loss (922.5 ~ 927.5 MHz) @ 25°C IL	dB	-	2.8	3.5	-
VSWR S11/S22 (922.5 ~ 927.5 MHz)		-	1.4	2	-
Attenuation (reference level from 0 dB)					
10~710 MHz	dB	35	40	-	-
710~900 MHz	dB	34	40	-	-
900~908 MHz @ 25°C	dB	30	33	-	-
930~932 MHz @ 25°C	dB		6	-	-
932~935 MHz @ 25°C	dB	7	20	-	-
935~945 MHz	dB	15	20	-	-
945~960 MHz	dB	35	40	-	-
960~1000 MHz	dB	35	40	-	-
1000~1215 MHz	dB	35	40	-	-
1215~2000 MHz	dB	30	35	-	-
2000~3600 MHz	dB	30	35	-	-

* Typical values are based on average measurements at +25°C

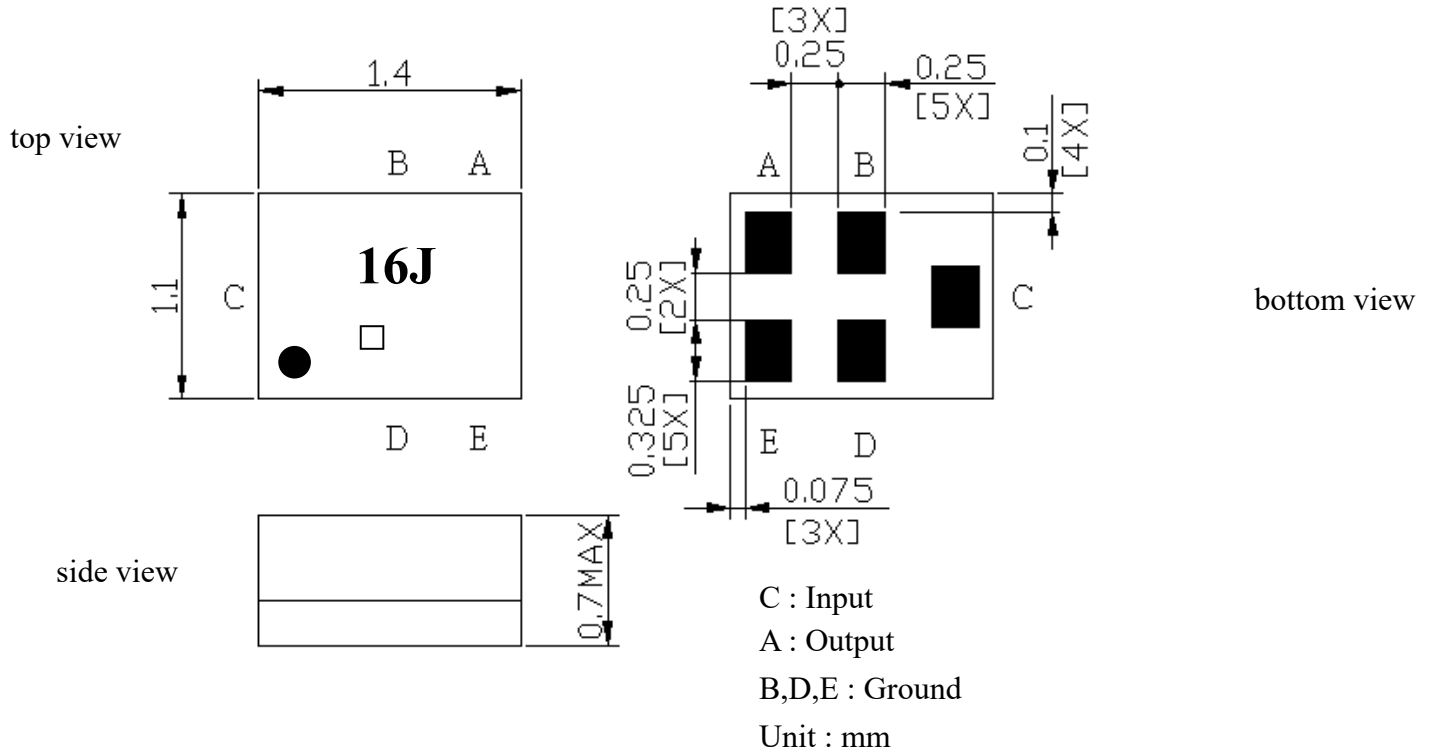


CAUTION: Electrostatic Sensitive Device. Observe precautions for handling.

NOTES:

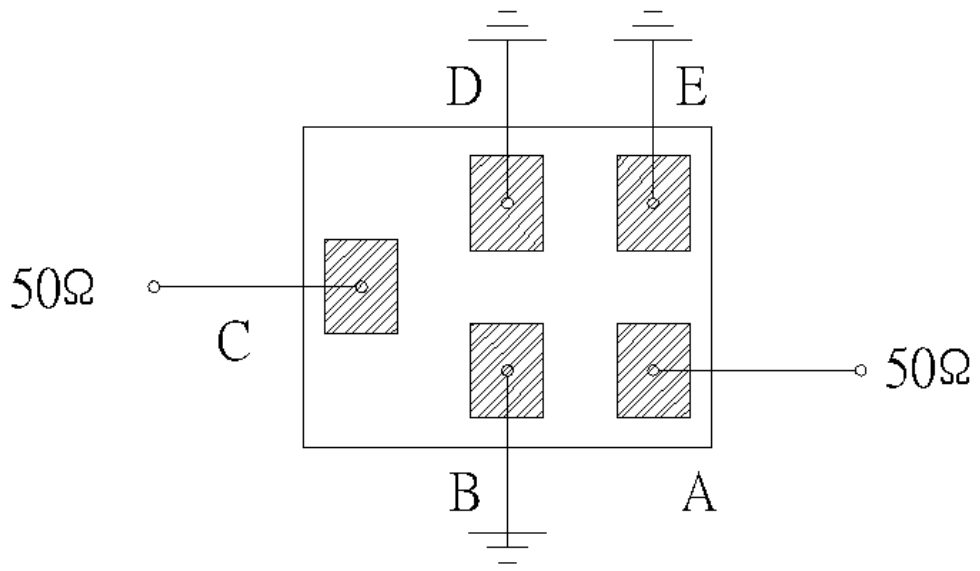
1. The design, manufacturing process, and specifications of this device are subject to change.
2. US or International patents may apply.
3. RoHS compliant from the first date of manufacture.

Outline Drawing

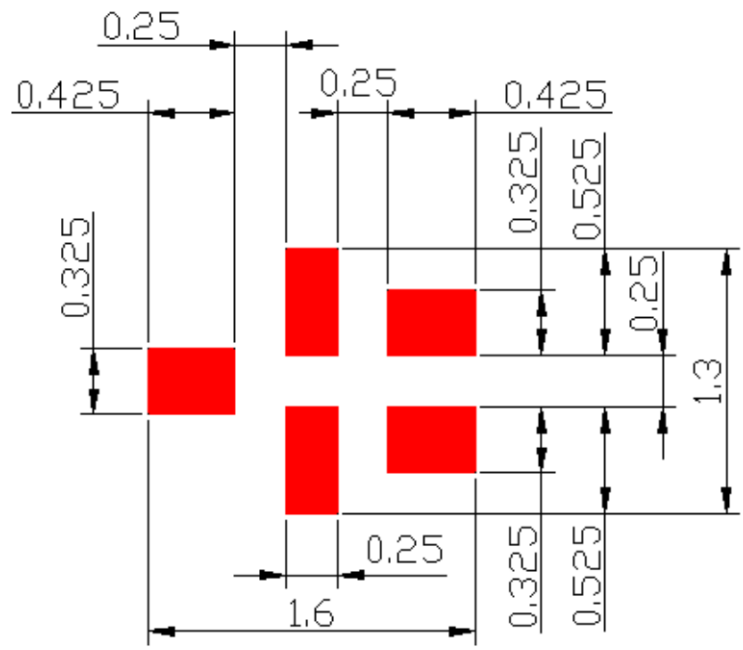



Marking:
 16J (assigned by manufacturer)
 □ : Year/Month Code

Measurement Circuit

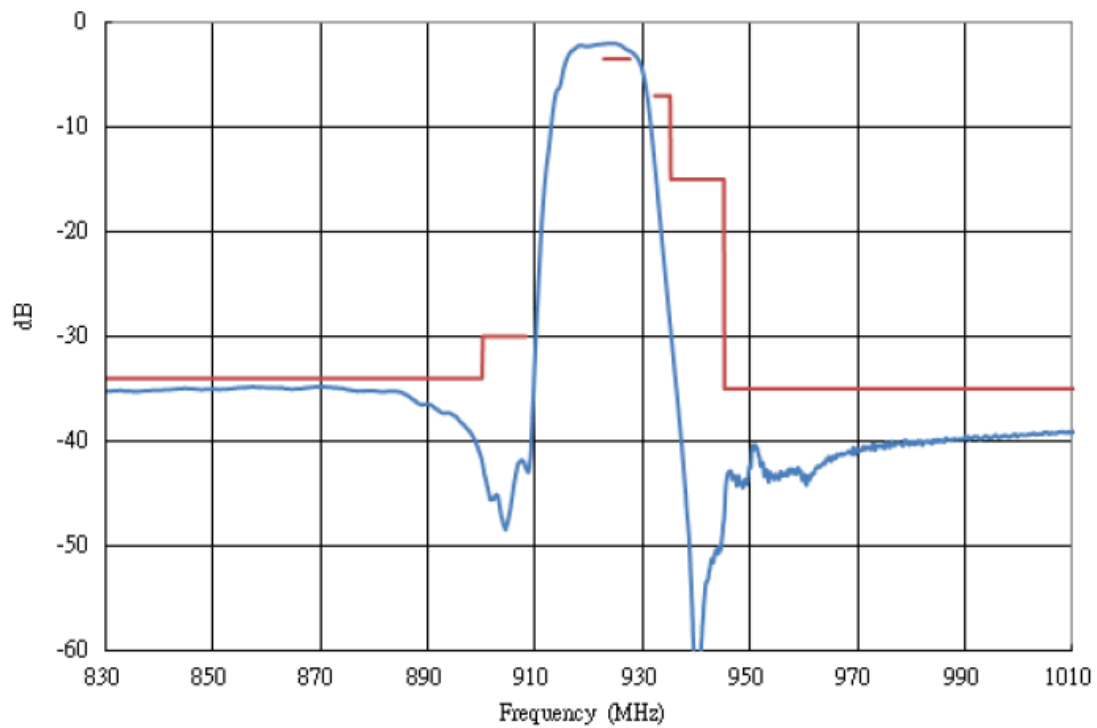
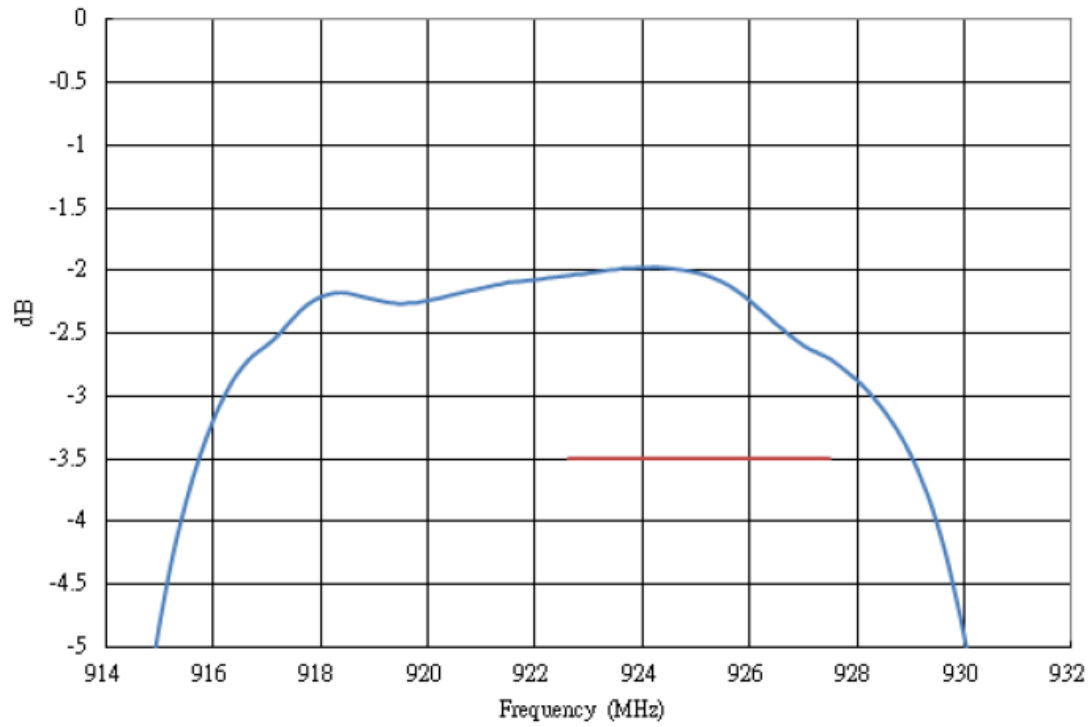


PCB Footprint



 : Land Pattern
Unit : mm

Frequency Characteristics

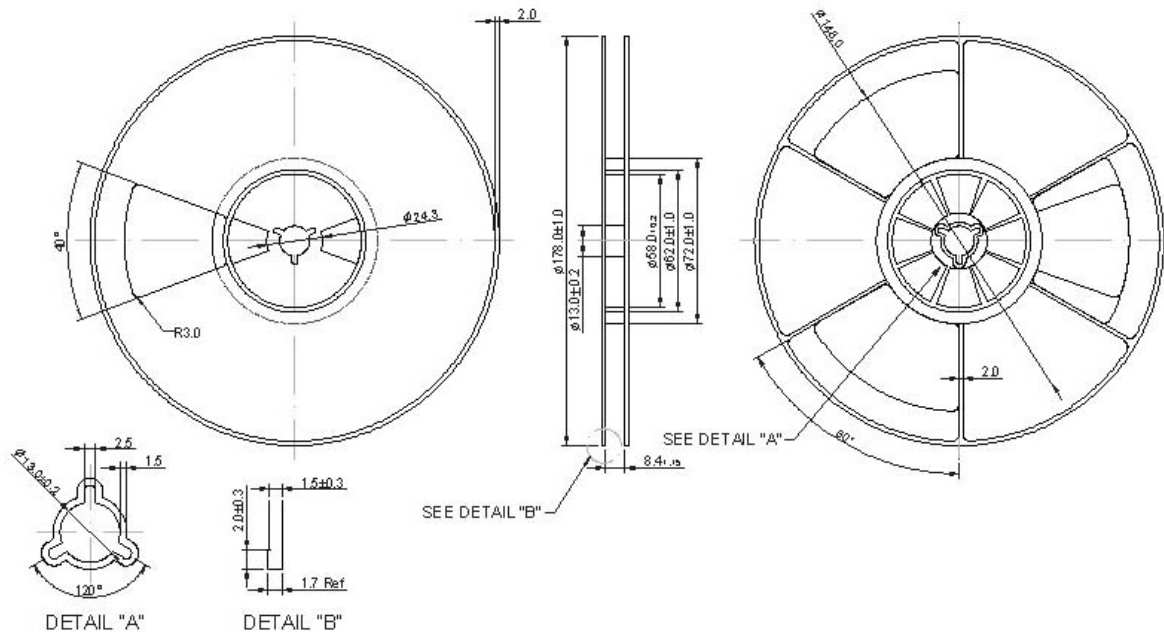


Packing

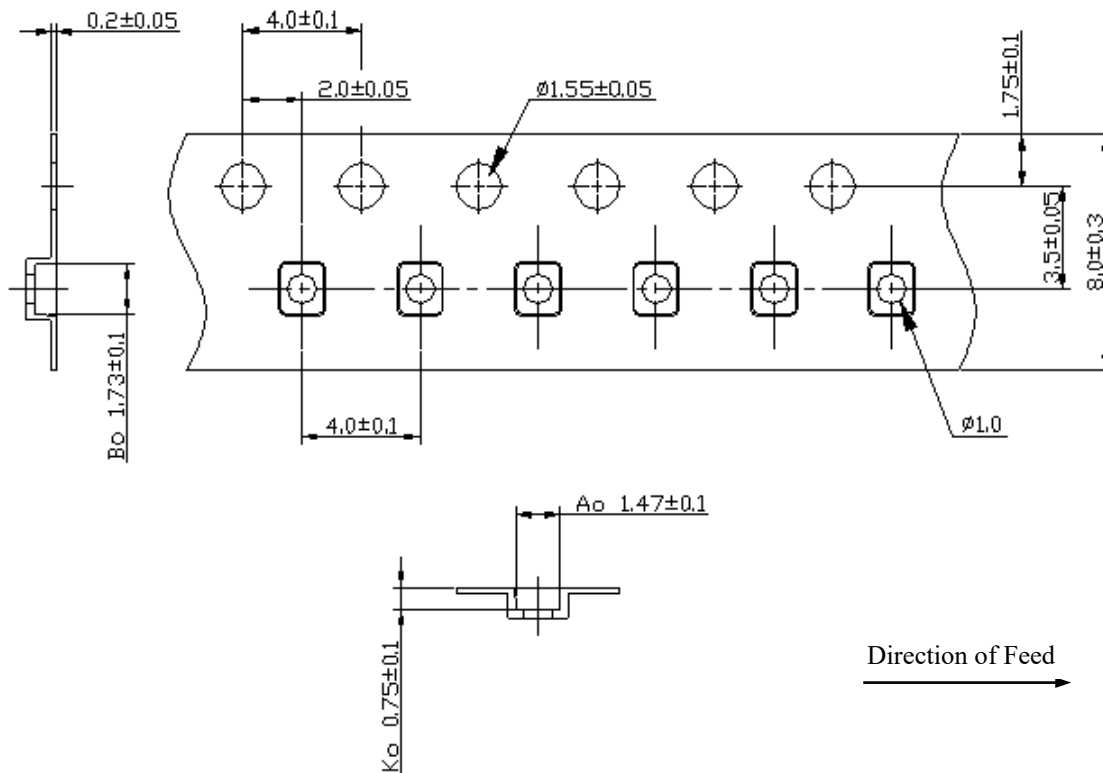
Reel Dimension

Reel Count:
7" = 3000

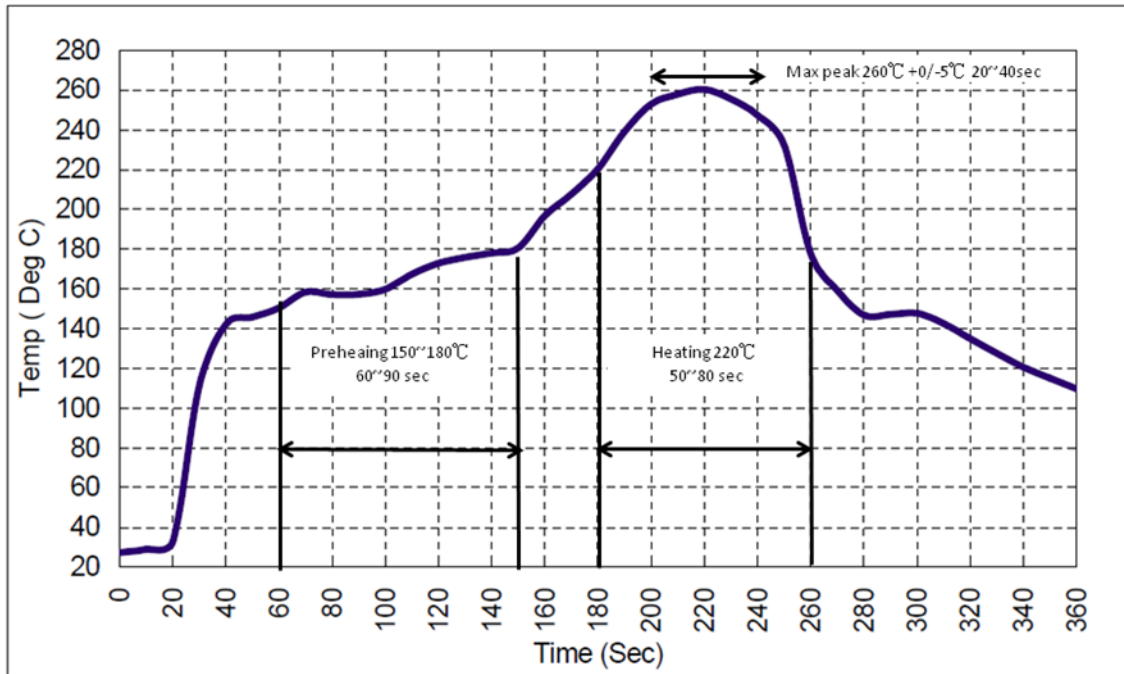
Tape and Reel Standard per ANSI/EIA-481



Tape Dimensions:



1. Preheating shall be fixed at 150~180°C for 60~90 seconds.
2. Ascending time to preheating temperature 150°C shall be 30 seconds min.
3. Heating shall be fixed at 220°C for 50~80 seconds and at 260°C+0/-5°C peak (20~40sec).
4. Time: 2 times.



X-ON Electronics

Largest Supplier of Electrical and Electronic Components

Click to view similar products for [Signal Conditioning](#) category:

Click to view products by [RFMi](#) manufacturer:

Other Similar products are found below :

[0400LP15A0122E](#) [0433BM15A0001E](#) [0433BM41A0019E](#) [0500LP15A500E](#) [051157-0000](#) [071788](#) [071938](#) [072174](#) [0868BM15C0001E](#)
[0868BM15G0027E](#) [0868LP15A020E](#) [0892DP14A1850T](#) [0896BM15A0001E](#) [0896BM15A0032E](#) [0896BM15E0025E](#) [0896FB15A0100E](#)
[0898CP14C0035001T](#) [0900BL15C050E](#) [0900BL18B100E](#) [0900BL18B200E](#) [0900DP15A2450E](#) [0900FM15D0039E](#) [0900LP15B0063E](#)
[0900PC15A0036E](#) [0900PC15J0013E](#) [0910CF15B0100E](#) [0915BM15A0001E](#) [0915LP15B026E](#) [11302-20](#) [11302-3](#) [11303-3](#) [11305-10](#) [11305-](#)
[20](#) [11305-3S](#) [11306-3S](#) [1176000000](#) [1200BP44A575E](#) [1481970000](#) [1575CH15A0030E](#) [1600BL15B050E](#) [1600BL15B100E](#)
[1720BL15A0100E](#) [1720BL15B0200E](#) [1748LP18A075E](#) [1810BP07B200T](#) [1850BL15B050E](#) [1850BL15B100E](#) [1850BL15B200E](#)
[1905BP18A0050E](#) [1E1305-3](#)