

## ADP-BNCF-2BNCF

### BNC(female) to BNC(female/female)



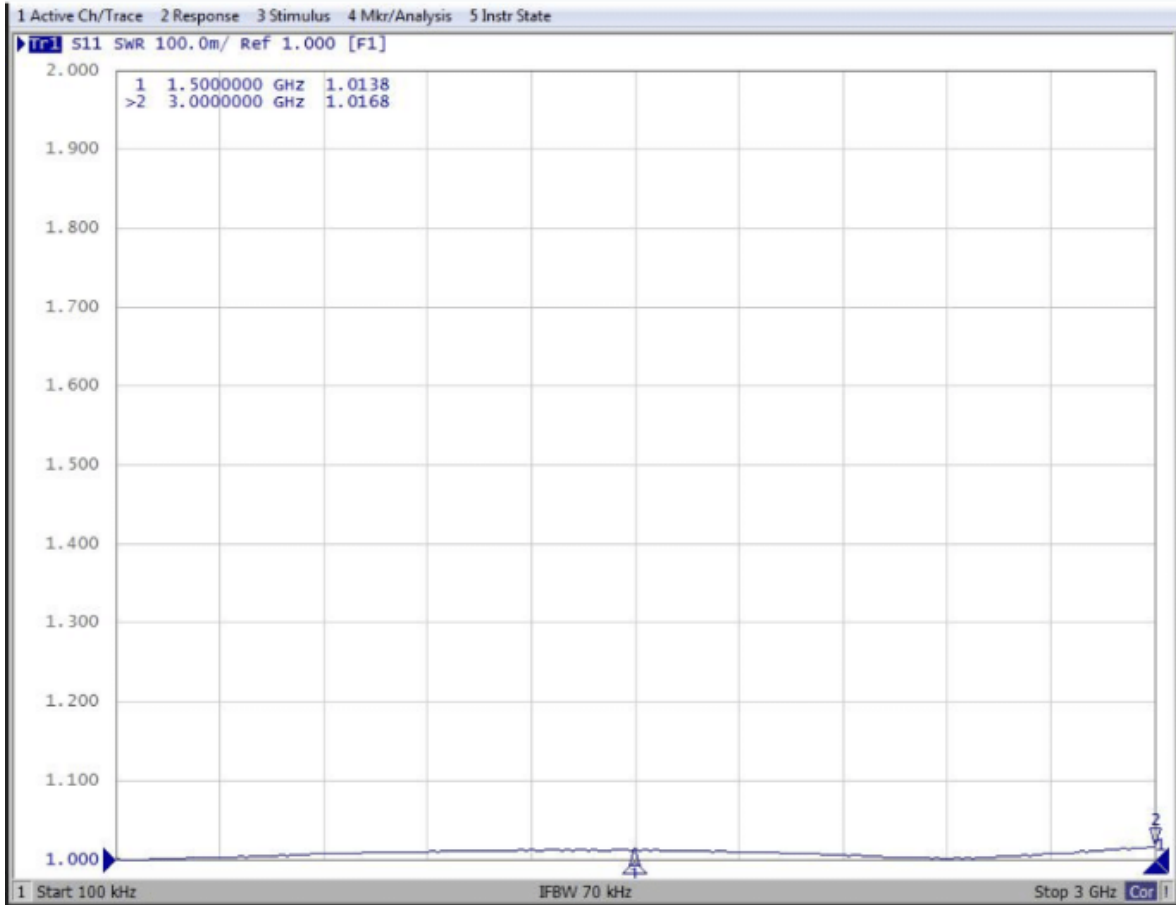
| Features                         |                    |
|----------------------------------|--------------------|
| Frequency Range                  | DC-3GHz            |
| Voltage Standing Wave Ratio      | $\leq 1.15$        |
| Impedance                        | 50 $\Omega$        |
| Temperature Range                | -55~+155°C         |
| Centre Conductor Retention Range | $\geq 0.28N$       |
| Coupling nut Retention Force     | $\geq 180Nq$       |
| Insertion Loss                   | $\leq 0.1dB/3GHz$  |
| Durability (mating)              | >500 Cycles        |
| Insulation Resistance            | $\geq 5000M\Omega$ |
| Working Voltage                  | 355Vrms            |
| Max Voltage (can withstand)      | 1000Vrms           |

| Material Information |                                    |
|----------------------|------------------------------------|
| Body                 | Nickel Plated Brass                |
| Pin/Socket contact   | Gold plated Brass/beryllium-copper |
| Crimp ferrule        | Nickel/gold plated Copper alloy    |
| Insulator            | PTFE                               |

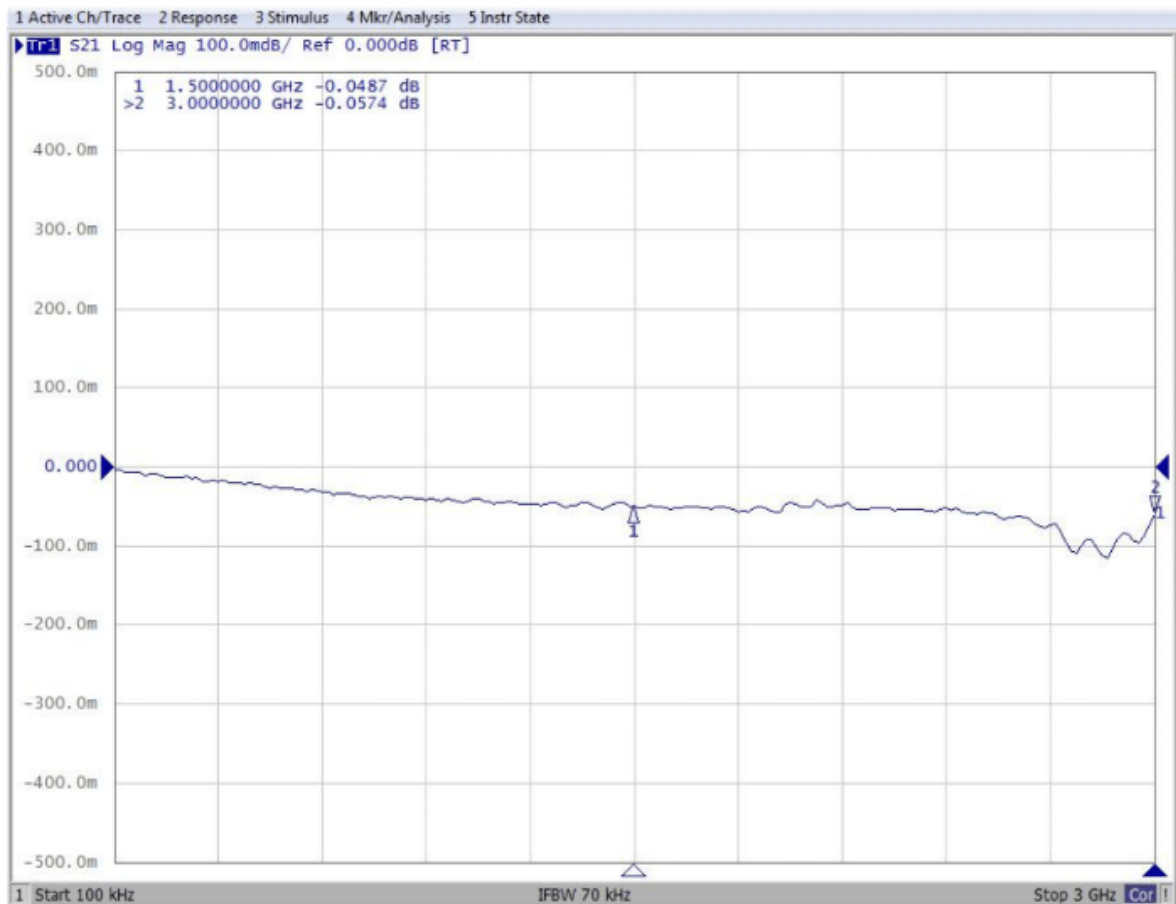
### Ordering Information

| Part Number           | Description                                   |
|-----------------------|---|
| <b>ADP-BNCF-2BNCF</b> | Tee Adaptor BNC(female) to BNC(female/female) |

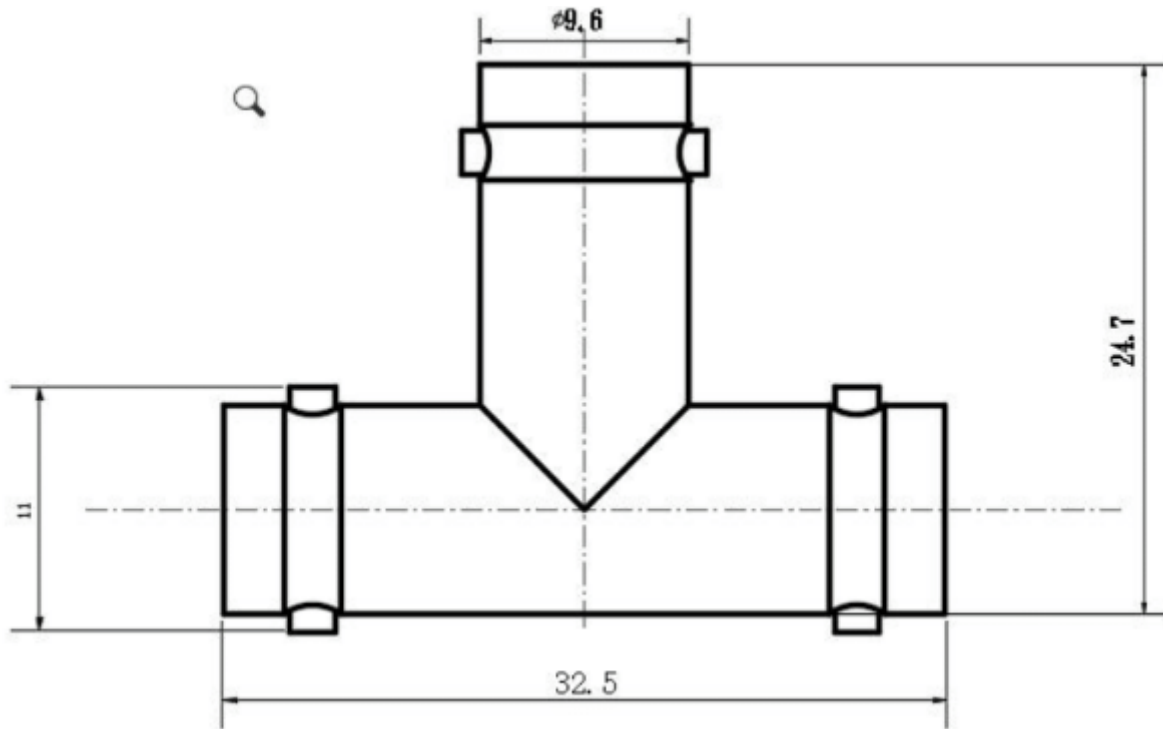
## VSWR



## Insertion Loss



## Mechanical Detail



### RF Solutions Ltd. Recycling Notice

Meets the following EC Directives:

#### DO NOT

Discard with normal waste, please recycle.

#### ROHS Directive 2011/65/EU

Specifies certain limits for hazardous substances.

#### WEEE Directive 2012/19/EU

Waste electrical & electronic equipment. This product must be disposed of through a licensed WEEE collection point. RF Solutions Ltd., fulfils its WEEE obligations by membership of an approved compliance scheme, environment agency registration number WEE/JB104WV.



#### Disclaimer:

Whilst the information in this document is believed to be correct at the time of issue, RF Solutions Ltd does not accept any liability whatsoever for its accuracy, adequacy or completeness. No express or implied warranty or representation is given relating to the information contained in this document. RF Solutions Ltd reserves the right to make changes and improvements to the product(s) described herein without notice. Buyers and other users should determine for themselves the suitability of any such information or products for their own particular requirements or specification(s). RF Solutions Ltd shall not be liable for any loss or damage caused as a result of user's own determination of how to deploy or use RF Solutions Ltd's products. Use of RF Solutions Ltd products or components in life support and/or safety applications is not authorised except with express written approval. No licences are created, implicitly or otherwise, under any of RF Solutions Ltd's intellectual property rights. Liability for loss or damage resulting or caused by reliance on the information contained herein or from the use of the product (including liability resulting from negligence or where RF Solutions Ltd was aware of the possibility of such loss or damage arising) is excluded. This will not operate to limit or restrict QuasarUK Ltd's liability for death or personal injury resulting from its negligence.

## X-ON Electronics

Largest Supplier of Electrical and Electronic Components

*Click to view similar products for [RF Adapters - Tee category](#):*

*Click to view products by [RF Solutions manufacturer](#):*

Other Similar products are found below :

[R142782000](#) [R114780000W](#) [R142780000W](#) [R143780000](#) [R143782000](#) [344A505](#) [TN2](#) [443A505](#) [R125780000](#) [BNC-TA-JJJ\(40\)](#)  
[R125780001](#) [034-1023](#) [ADP-BNCF-2BNCF](#) [73148-5003](#) [31-208-1051](#) [CT3312](#) [53S301-K00N5](#) [CT2411](#) [43\\_SMB-50-0-2/111\\_NE](#) [32K301-](#)  
[K00L5](#) [46\\_SMA-50-0-1/111\\_NE](#) [51S303-K00N5](#) [32S301-K00L5](#) [43\\_N-50-0-1/133\\_NE](#) [CPAD705](#) [BN153](#) [031-208-1051](#) [031-70036](#) [082-](#)  
[102](#) [112455](#) [112456](#) [112459](#) [112461](#) [112462](#) [112567](#) [112590](#) [122354](#) [122356](#) [132216](#) [132217](#) [142300](#) [172125](#) [172127](#) [172233](#) [21900](#) [31-](#)  
[208](#) [31-208-RFX](#) [31-2208](#) [31-8](#) [34-1023](#)