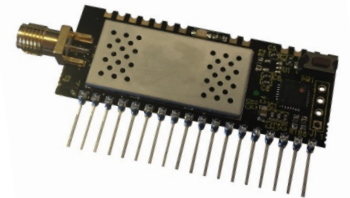
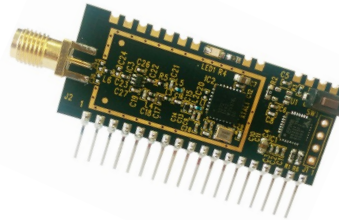
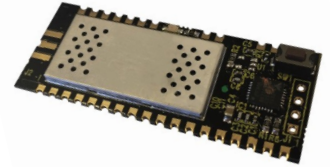
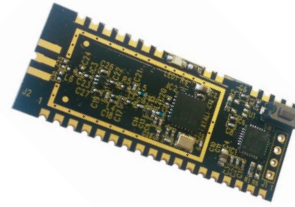


## 16Km LoRa Telemetry Module

### Features

- Range up to 16Km
- 8 Switch inputs
- 8 Digital outputs
- 4 acknowledged channels
- Spread spectrum technology
- No external components
- Low Rate Serial Comms
- 38.4K Host serial data comms
- Low voltage 2.4—3.6V
- 'R' Version 3.6—15V
- 869.5 / 915MHz Versions
- +20dBm TX / -137dBm RX
- SIL version with SMAF connector
- 868MHz RED/ CE compliant
- FCC "modular" Certified enabling application without further FCC Testing.



868MHz

915MHz

### Applications

- Remote Control
- Remote Networking
- Remote Switching
- Remote Sensors

GAMMA LoRa provides a reliable, transceiver based industrial bi-directional remote Telemetry Switch module. It can also send low speed Serial Data (250byte payload). LoRa provides a long Range, low Data rate, suited to remote Sensors transmitting occasional Data packets. GAMMA is easy to use with direct no-volt Switch input and direct Switching outputs and simple serial Data in / Data out.

The GAMMA uses the latest OFDM, spread spectrum technology and extensive algorithm enhancements to achieve an industry leading 16km (10mile) range.

Two or more modules may be combined to provide a simple or complex network of radio telemetry.

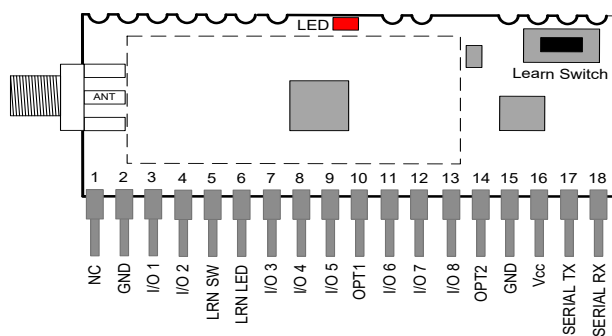
## Part Numbering 2.4 - 3.6V Version

Part No	Description
GAMMA-868-SO	RF Telemetry module SMT package 868MHz
GAMMA-868	RF Telemetry module SIL package 868MHz
GAMMA-915	RF Telemetry module SIL package 915MHz
GAMMA-915-SO	RF Telemetry module SMT package 915MHz

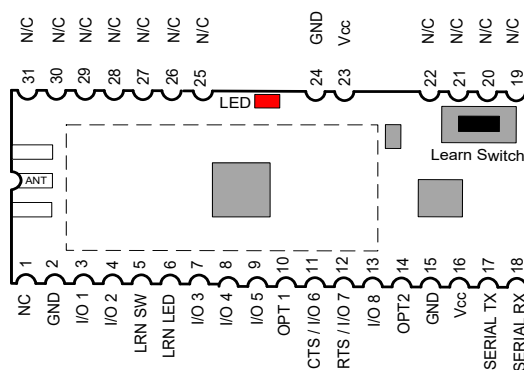
## Part Numbering 3.6 - 15V Version

Part No	Description
GAMMA-868R-SO	RF Telemetry module SMT package 868MHz
GAMMA-868R	RF Telemetry module SIL package 868MHz
GAMMA-915R	RF Telemetry module SIL package 915MHz
GAMMA-915R-SO	RF Telemetry module SMT package 915MHz

## Pin descriptions



**GAMMA-XXX (SIL version)**



**GAMMA-XXX-SO (SMT version)**

### Notes

Pins are on 2.54mm pitch  
Pin dims 0.4mm sq

### Notes

SMT and SIL versions are hardware identical modules with or without pins and SMA fitted. Castellations are on 2.54mm pitch. Use all castellations to assist reflow.

Pin No	Name	Direction	Description
1	NC	-	Do not connect
2, 15, 24*	GND	In	Connect to ground (*SMT version only)
3, 4, 7, 8, 9, 11 - 13	I/O 1-8  Or  OP1-4 and IP1-4	-	<p><b>When configured as transmitter:</b>  <b>Pins</b> 3, 4, 7, 8, 9, 11, 12, 13            Inputs are internally pulled high, active low</p> <p><b>When configured as receiver:</b>  <b>Pins:</b> 3, 4, 7, 8, 9, 11, 12, 13            All outputs are internally pulled low, active high            Maximum drive current per output 12.5mA            (100mA total).</p> <p><b>Where configured as a transceiver:</b>  <b>Pins:</b> 3,4,7,8 outputs and pins 9, 11-13 inputs            Inputs and outputs act as above.</p>
11 12	CTS RTS	out in	<p>RS232 flow control:            Disabled as default.            When enabled via config mode the function of these pins are as low level RS232 standard            If no handshaking is required, RTS may be pulled low. However beware of data overrun errors when transmitting streams of data longer than the data buffer size.</p>
5	LRN SW	In	<p>Internally pulled high, active low learn switch input. Connect to ground to activate.            Operation directly matches the on board learn switch.            Leave unconnected if not required.</p>
6	LRN LED	Out	<p>Optional LED drive output which mirrors the on-board LED.            See example LED drive circuit on page 5.</p>
10, 14	OPT1, OPT2	In	<p>Option links for module type setting - see table later in the data sheet.</p>
18 17	Serial TX RX	Out In	<p>Serial data comms for using GAMMA as a radio modem via low level RS232</p>
16, 23*	Vcc	In	Supply voltage (*SMT version only)

## Mode selection

Using the OPT option links, a GAMMA module can be configured to be a

- Telemetry Transmitter, Receiver or Transceiver,
- Serial Data Modem

For telemetry operation, two or more GAMMA modules are required to be paired together. The outputs on the GAMMA receiving will then follow the inputs on the GAMMA transmitting. Serial data communication does not require any pairing.

	OPT1 (pin10)	OPT2 (pin14)	Inputs	Outputs
<b>Transmitter mode</b> Operates as a transmitter. All I/O lines are dedicated as digital inputs (open/closed contact switch) and will map directly to all 8 outputs on paired receiver(s).	NC	NC	8	-
<b>Receiver mode</b> Operates as a receiver with digital switching outputs.	NC	GND	-	8
<b>Telemetry transceiver</b> Operates as a transceiver with digital switching inputs and outputs on the same board.	GND	NC	4	4
<b>Serial MODEM Mode</b> Operates as a serial modem sending and receiving serial data.	NC	GND	-	-

## Telemetry Transmitter and Receiver modes

One or more GAMMA module(s) set to 'transmitter mode', paired with one or more 'receivers' set to 'receiver mode'. When paired, all I/O lines are mapped directly. Multiple GAMMA modules may be paired together to create many to many relationships.

## Telemetry Transceiver mode

Each GAMMA configures I/O 1-4 as outputs and 5-8 as inputs allowing paired modules to send in both directions. Multiple GAMMA modules may be paired together to create many to many relationships.

## Serial output operation (in Telemetry RX Mode)

In addition to updating the digital outputs status, when in Rx Telemetry Mode the GAMMA RX automatically outputs a serial data packet each time it receives a telemetry command from a paired GAMMA TX.

This enables connection of the GAMMA to computers / PLC or other host controllers.

The data packet contains data from the GAMMA TX including GAMMA TX serial number and the GAMMA TX Inputs' status,

Please see the Serial data section which explains the packet structure.

## Serial output operation (in Telemetry RX Mode)

The GAMMA module has the ability to operate as a simple radio modem module, sending and receiving data.

Further information available later in this datasheet

## Telemetry mode - Transmit (TX)

### GAMMA module configured as a transmitter

**Operation:** When configured as a transmitter the GAMMA module will automatically default to low power sleep mode. A change on any input(s) will cause the GAMMA to wake, read all inputs and initiate RF transmission, (multiple input changes may take place simultaneously).

Maximum switching frequency is dependent on the LORA™ mode in which the GAMMA is operating see Configuring a GAMMA module modem for more information on LORA™ modes.

#### Digital inputs:

High impedance inputs, LVCMOS/LVTTL compatible, 5V tolerant. Can be connected directly to CMOS/TTL logic or switch inputs connected to 0V or VCC.

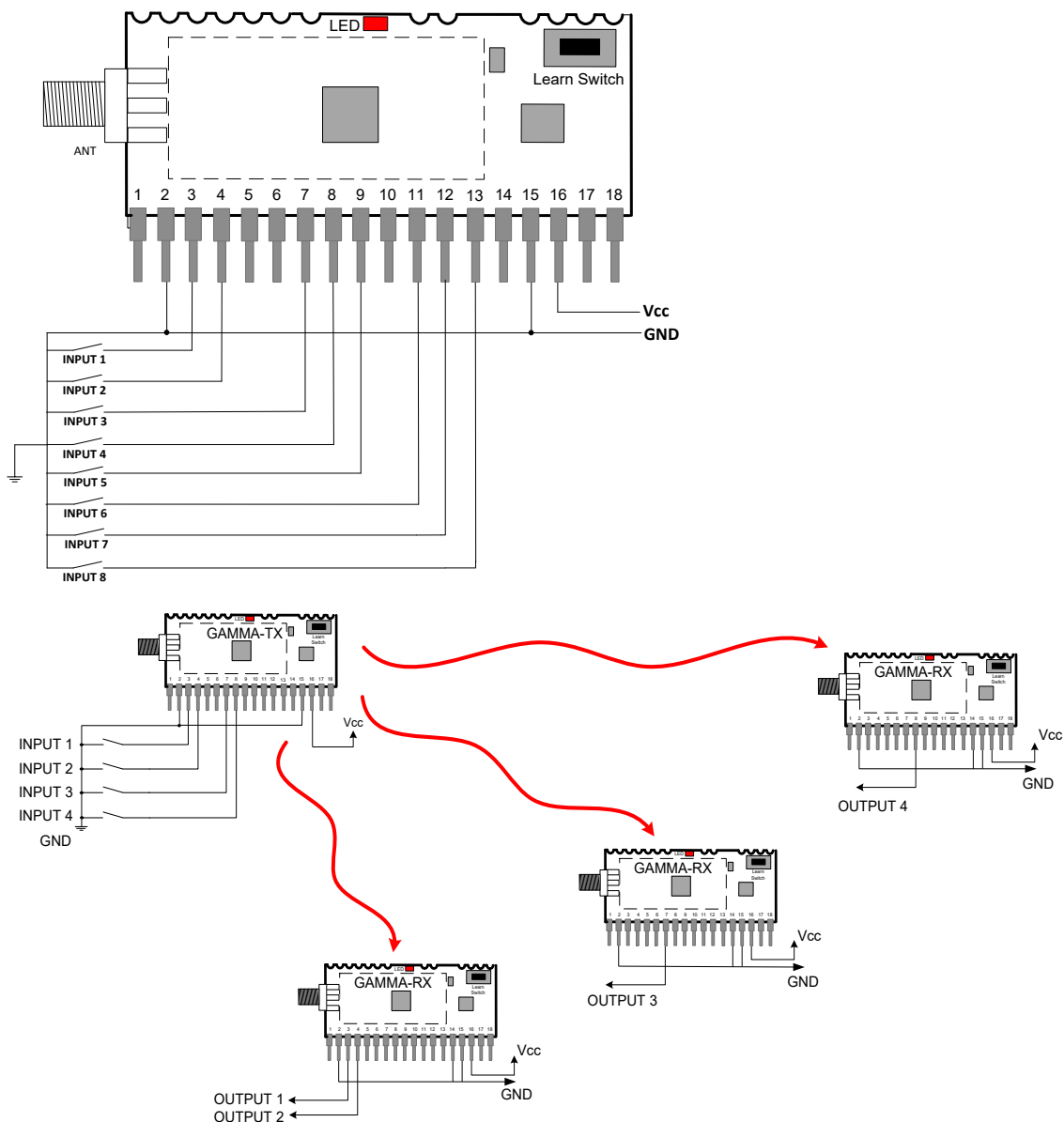
### Transmitter application circuit example

#### Description:

This example shows a GAMMA module configured as a transmitter with all 8 inputs connected. All input switches would need to be connected to GND to activate.

#### Application example:

Example showing 1 transmitter paired to 3 receivers - I/O used is arbitrary.



## Telemetry Mode - Receive (RX)

### GAMMA module configured as a receiver

#### Operation:

When configured as a receiver the GAMMA module will remain in listening mode. When a valid packet is received it will action any output changes required.

#### Digital outputs:

Active high LVCMOS/LVTTL compatible outputs. Can be connected directly to CMOS/TTL logic or drive.

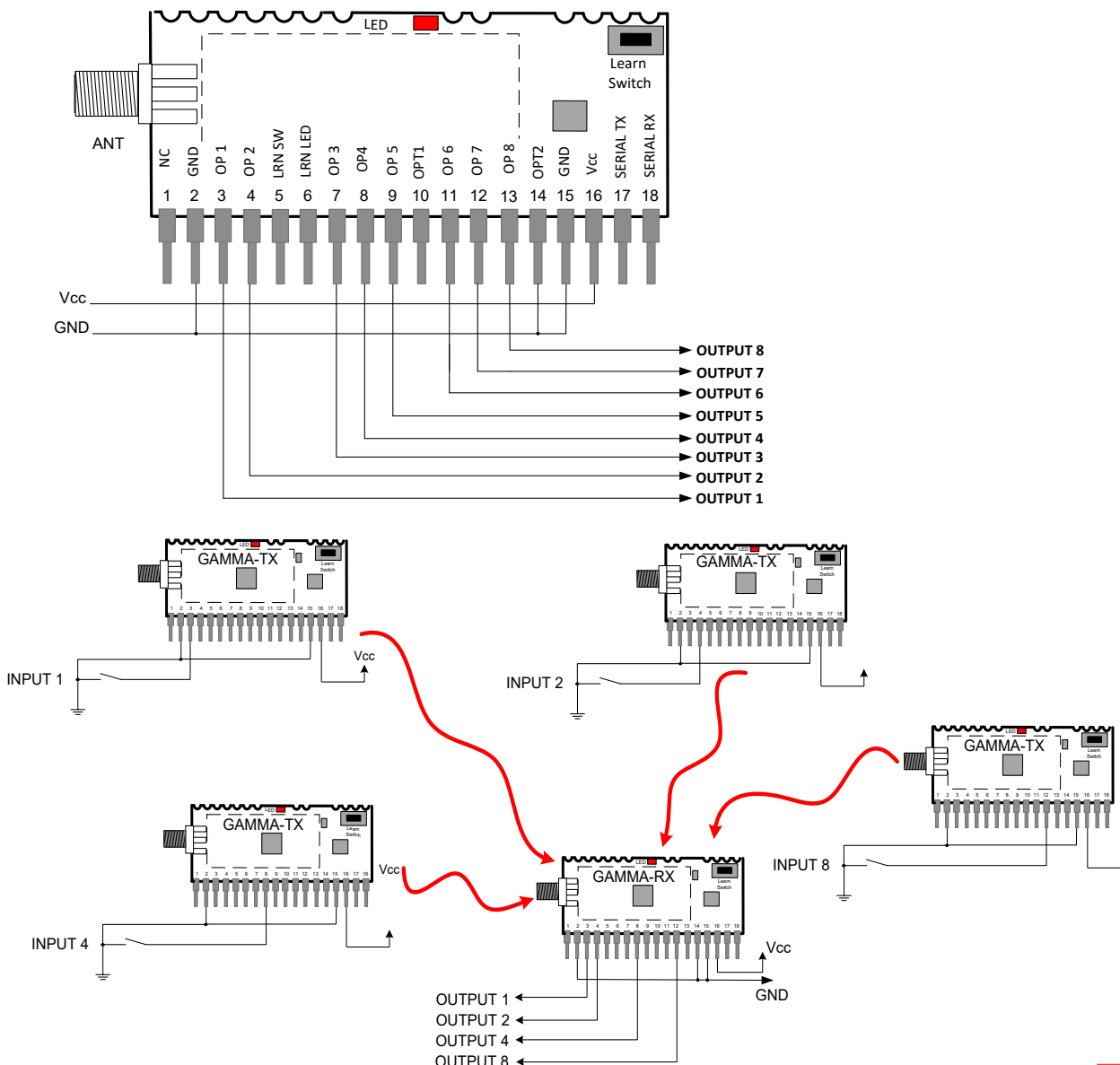
### Receiver example application circuit

#### Description:

This example shows a GAMMA module configured as a receiver with all 8 outputs connected. The external learn switch and LED are also not fitted in this example.

#### Application example:

Example showing 4 transmitters paired to one single receiver - I/O used is arbitrary.



## Telemetry Mode - **Transceiver (TRX)**

### GAMMA module configured as a transceiver

#### Operation:

When configured as a transceiver the GAMMA module maps its I/O lines 1-4 as outputs and 5-8 as inputs (as shown below). Pairing GAMMA modules in this mode auto-maps the 4 inputs and outputs to each module. It is possible to pair systems of modules by following this format - see application examples below for more detail.

#### Digital I/O:

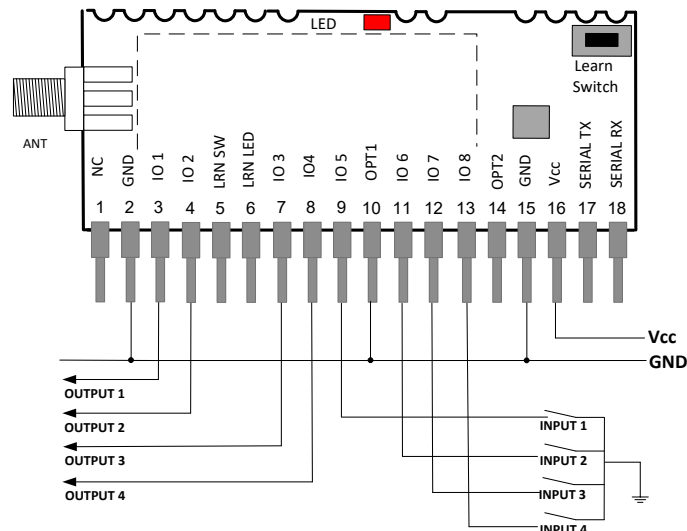
High impedance inputs, LVCMOS/LVTTL compatible, 5V tolerant. Can be connected directly to CMOS/TTL logic or switch inputs connected to 0V or VCC.

Outputs are active high LVCMOS/LVTTL compatible and can be connected directly to CMOS/TTL logic or drive. A change on the input will cause the GAMMA to wake, read all inputs and initiate RF transmission.

#### Feedback:

Whilst the module does not offer a feedback function it is possible to achieve this by pairing two modules together and feeding outputs back to inputs as shown in the example below

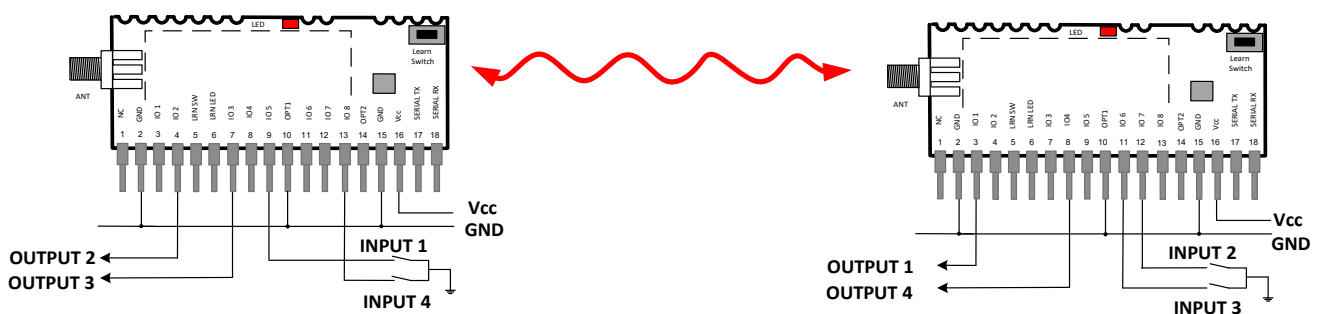
### Transceiver application circuit example



#### Description:

The example above shows a GAMMA module with 4 connected inputs and 4 connected outputs. Pairing modules in transceiver mode auto-maps all inputs on the remote devices to all outputs on the local device. In this way it is possible to connect modules in a chain or bi-directionally as in the below example.

#### Application example:



#### Please note:

GAMMA digital Outputs are active high, but GAMMA digital inputs are active low therefore if connecting multiple GAMMA modules directly together to extend range the outputs will require inverting before applying to GAMMA inputs.

## Pairing GAMMA modules

Each GAMMA module has a unique serial number identity. GAMMA modules may be paired together using the LEARN button/input so that they operate as systems in: one-to-one, one-to-many and many-to-one formats.

Each GAMMA can store 70 GAMMA paired identities.

Pairing is applicable in all modes except serial data mode.

### Pairing Process, pair one module into another:

1. Press and hold the 'LEARN' button (or activate the 'LEARN' input) on a GAMMA module (Receiver module "RX") for two seconds or until the learn LED begins to flash. This places the module in pairing mode.
2. On another GAMMA module (Transmitter module "TX") briefly press/activate the 'LEARN' button  
(this sends a pairing packet to the RX).
3. GAMMA RX, has now paired with the GAMMA TX.

(If you wish to exit LEARN mode without pairing a transmitter, briefly press the 'LEARN' button to exit the mode on RX).

Note: This process must be repeated in reverse for a telemetry system using transceiver mode.

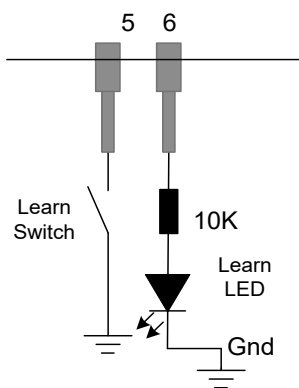
### Erase Process:

1. Press and hold the 'LEARN' button until LED stops flashing (around 10secs).

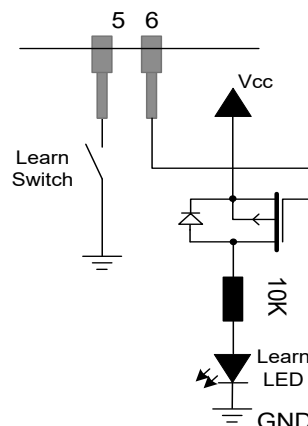
## LED Status Indication

Mode	LED	Description
Normal operation	Flashes ON	Module is transmitting or receiving data
	OFF	No RF data is being transmitted/received
Configuration/ LEARN mode	Brief flash	Learn packing being sent
	Flashing at low speed	GAMMA module is in learn mode and searching for another module to pair with. Note: Learn mode does not time out
	Flashing at high speed for 2secs	GAMMA pairing successful or erase successful

## Optional external learn switch and LED example circuit



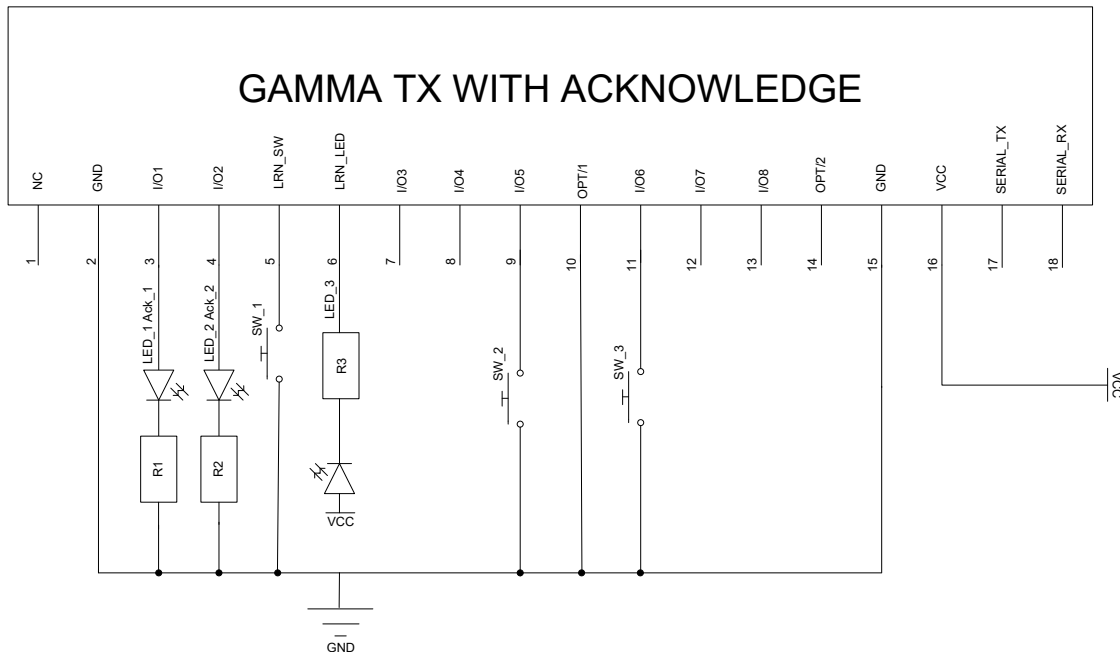
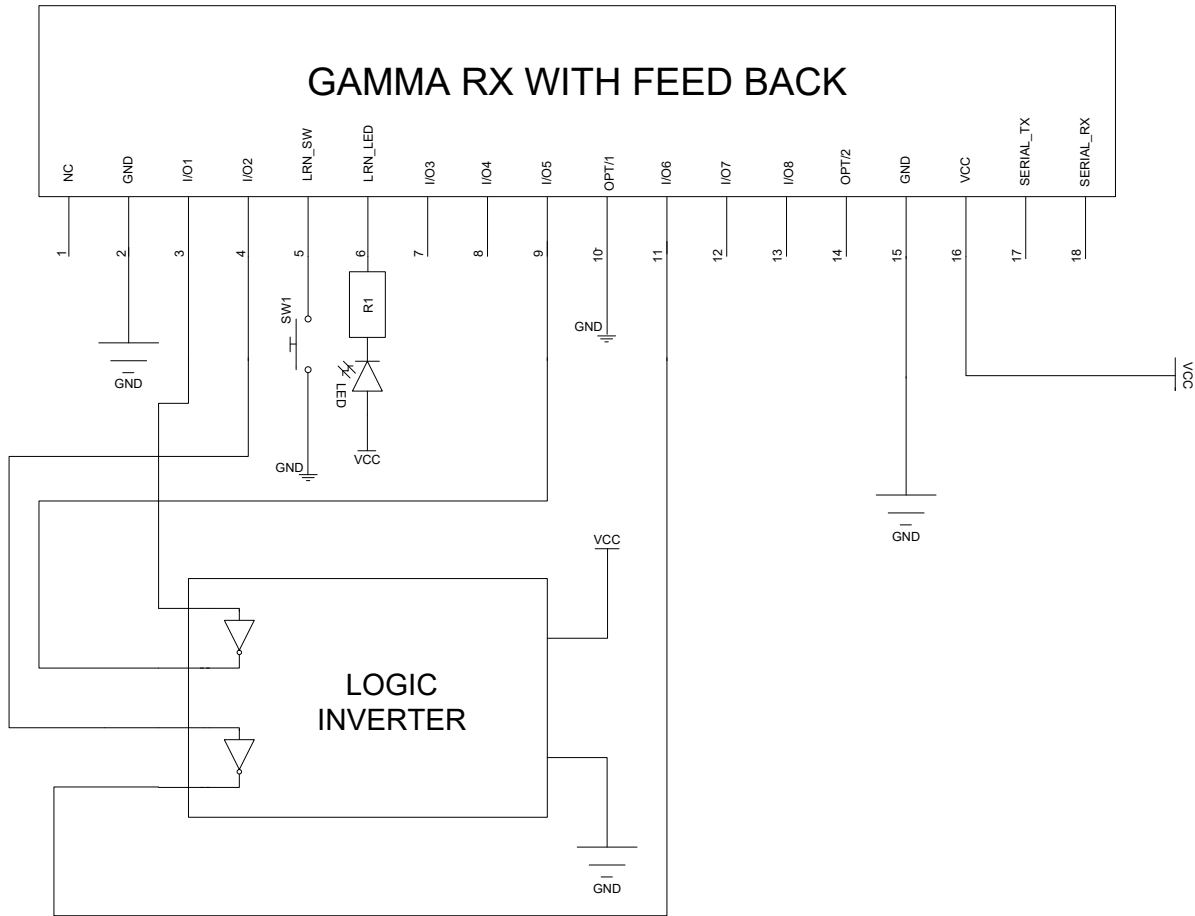
Standard Version



Regulated Version



## GAMMA module Transceiver mode with feedback example



## GAMMA module - Serial data modem operation

GAMMA module can send and receive serial data at LVTTTL level. However please note that due to the low RF Data Rate LORA can only send Data at a very low transmission rate

### Operation:

The GAMMA module has the ability to operate as a simple radio modem module, sending and receiving data from point-to-point or multi-point. A GAMMA module will send data presented to the TX pin.

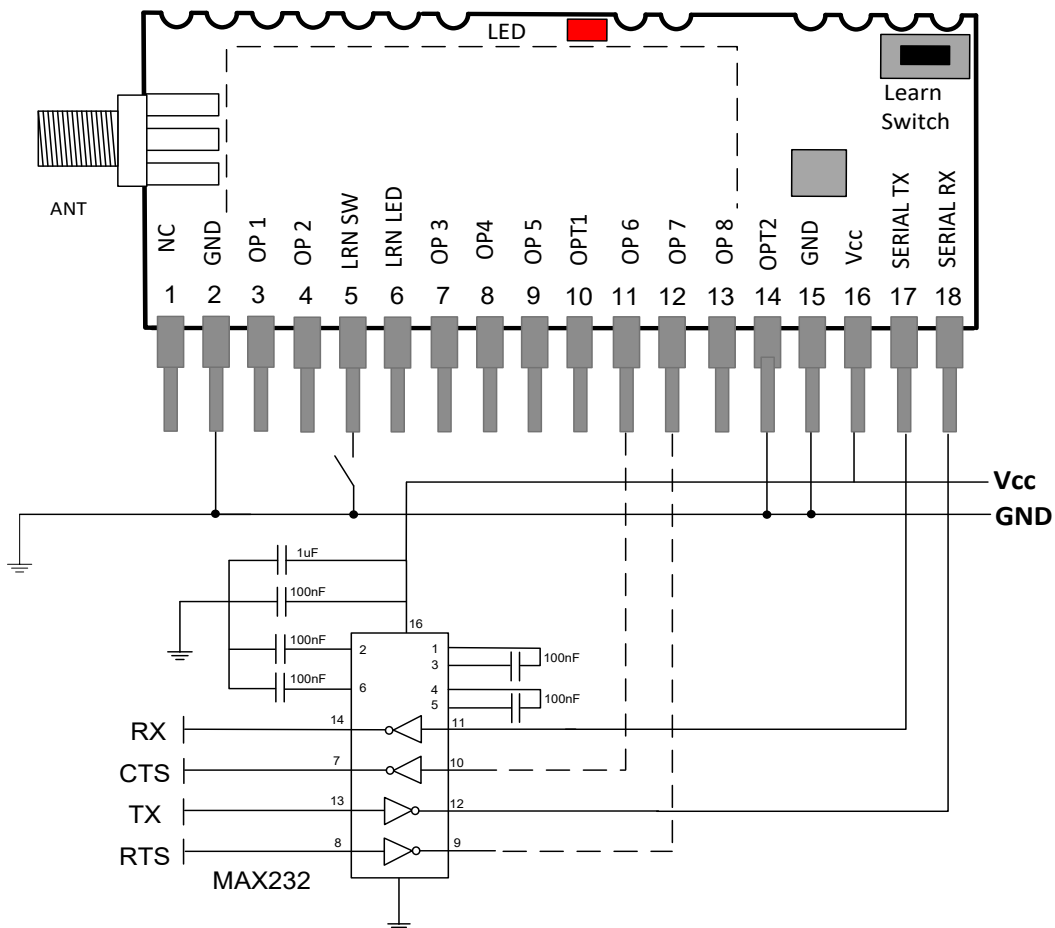
All GAMMA modules within range; will output the data via their RX pins.

Whilst the GAMMA will work as a modem, out-of-the-box (see default settings in below) It is also possible to configure more complex operation by changing parameters of operation using configuration mode.

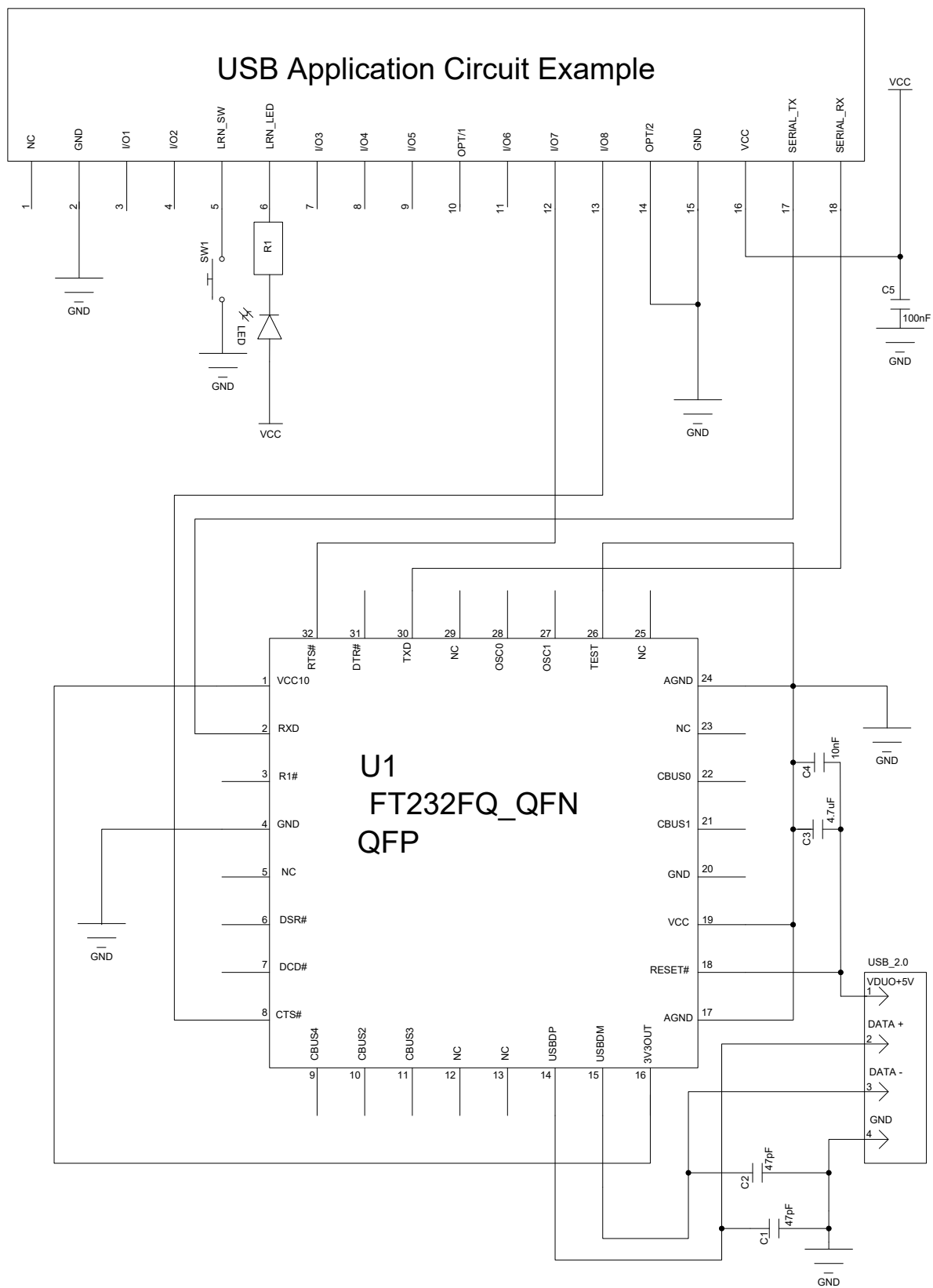
### Serial data packet (output after every packet received)

Byte 0	Byte 1	Byte 2	Byte 3	Byte 4 & 5	Byte 6	Byte 7	Byte 8 & 9	Byte 10	Byte 11	Byte 12	Byte 13
<i>SN1</i>	<i>SN2</i>	<i>SN3</i>	<i>SPARE</i>	<i>SPARE</i>	<i>IP1-8</i>	<i>IP9-16</i>	<i>SPARE</i>	<i>STATUS</i>	<i>PKT ID</i>	<i>RSSI</i>	<i>S-2-N</i>
Serial number byte 1	Serial number byte 2	Serial number byte 3	AA	00	Bit mapped IP1 to LSB IP8 to MSB	Bit mapped IP9 to LSB IP16 to MSB			Changing pseudo random number to identify each packet.	-139 + RSSI Value received = dBm	Signal to Noise ratio

### Serial data output application circuit example



## USB application circuit example - FT232 chipset





## Configuring a GAMMA module modem:

In Serial Data modem mode the GAMMA module is a transparent link, passing serial data received on the TX pin to all other GAMMA modules which in turn send the data received to their connected host via the receive pin.

In order to change the configuration settings the GAMMA module must be placed into config/Learn Mode.

Data is then processed internally by the module instead of being transmitted via RF.

## Config/learn mode

Press and hold the 'LEARN' button (or activate the 'LEARN' input) on a GAMMA module for two seconds or until the learn LED begins to flash. This places the module in config mode.

**Please Note:** When in Config/learn mode modules will always communicate at a default baud rate of 9600kbps it does not matter what baud rate is set with #B command.

## Default LVTTTL Comms RS232:

**Data bits:** 8  
**Parity:** None  
**Stop bits:** 1  
**Flow control:** Hardware CTS/RTS if enabled  
**Buffer size:** 250bytes  
**Timeout:** 2 bytes (time dependent on baud rate)  
**Data bytes:** 11 bytes

## GAMMA module factory defaults:

**Local address:** 7F7F7F  
**Destination address:** 7F7F7F  
**Handshaking:** OFF  
**LoRa™ Mode:** 5  
**Host baud rate:** 9600kbps  
**O/P power:** +20dBm

## Configuration commands:

Command	Description	Options / example packet														
#C	<p>Set LORA™ mode and power output</p> <p>GAMMA can be set to operate in different LORA™ modes, trading off range with speed of operation.</p> <p>With a lower LORA mode the data packet is much shorter but the maximum range achievable is also shorter.</p> <p>In mode 6 the GAMMA has been tested to 16km</p>	<p>#C&lt;LORA MODE 1-6 (SF7-12)&gt;&lt;O/P POWER 0-15(-1 - +20dBm )&gt;</p> <p>Where: SF7 = Short range / high speed                      SF12 = Long range / low speed                      Power 0 = +5dBm                      Power 15 = +20dBm</p> <p>Output power is set in 1dbm increments from +5 to +20.</p> <p>ASCII example: #C 6 15                      GAMMA set to longest range and max. power.</p> <p><b>Please Note:</b> all option values are byte decimal values.</p> <table border="1"> <thead> <tr> <th>LORA MODE</th> <th>Packet length</th> </tr> </thead> <tbody> <tr> <td>1</td> <td>55ms</td> </tr> <tr> <td>2</td> <td>90ms</td> </tr> <tr> <td>3</td> <td>180ms</td> </tr> <tr> <td>4</td> <td>360ms</td> </tr> <tr> <td>5</td> <td>720ms</td> </tr> <tr> <td>6</td> <td>1.02 sec</td> </tr> </tbody> </table>	LORA MODE	Packet length	1	55ms	2	90ms	3	180ms	4	360ms	5	720ms	6	1.02 sec
LORA MODE	Packet length															
1	55ms															
2	90ms															
3	180ms															
4	360ms															
5	720ms															
6	1.02 sec															

## Configuration commands continued:

Command	Description	Options / example packet																		
#A	<p>Sets the send to and local address:</p> <p>Pre-configured factory defaults; L_ADD = 7F7F7F D_ADD= 7F7F7F</p>	<p>#A&lt;L_ADD1&gt;&lt;L_ADD2&gt;&lt;L_ADD3&gt;&lt;D_ADD1&gt;&lt;D_ADD2&gt;&lt;D_ADD3&gt;</p> <p>Where: L_ADD are local address bytes 1 3 D_ADD destination address bytes 1-3</p> <p>Example: #A 125 125 125 126 126 126</p> <p>Sets the Local address to 125 125 125 Sets the Destination address to 126 126 126</p> <p>Please note the Address must be sent as byte values. Example:</p> <table border="1"> <thead> <tr> <th>Command</th> <th>#</th> <th>A</th> <th>7D</th> <th>7D</th> <th>7D</th> <th>7E</th> <th>7E</th> <th>7E</th> </tr> </thead> <tbody> <tr> <td>ASCII Value</td> <td>35</td> <td>65</td> <td>125</td> <td>125</td> <td>125</td> <td>126</td> <td>126</td> <td>126</td> </tr> </tbody> </table>	Command	#	A	7D	7D	7D	7E	7E	7E	ASCII Value	35	65	125	125	125	126	126	126
Command	#	A	7D	7D	7D	7E	7E	7E												
ASCII Value	35	65	125	125	125	126	126	126												
#H	Turn on handshaking CTS / RTS enable or disable command	<p>#H 1</p> <p>Enables handshaking - set 0 to disable</p>																		
#B	Set serial baud rate	<p>#B &lt;0-4&gt;</p> <p>Where: 0 = 9600(default) 1 = 19200 2 = 28800 3 = 38400 4= 56000</p> <p>Example: Set the Baud to 38K4: #B 003</p>																		
#?	Get local settings Returns all configured settings	<p>#? Returns a single packet containing 11 bytes as follows:</p> <p>&lt;L_ADD1&gt;&lt;L_ADD2&gt;&lt;L_ADD3&gt; &lt;D_ADD1&gt;&lt;D_ADD2&gt;&lt;D_ADD3&gt; &lt;NULL Value&gt; &lt;LORA Mode&gt; &lt;RF Power&gt; &lt;Handshaking&gt; &lt;Baud rate&gt;</p>																		
#Q	Reset device	<p>All changes on the GAMMA are carried out in real time and saved after each change. However none become active until the module is reset either using this command or by power cycling.</p>																		

## Serial to Digital Mode

The Gamma module is capable of being sent commands via RS232 (TX and RX) , that will allow transmitter to relay these to the digital Outputs of the receiver:

- 1) Connect both TX and RX Pin 14 (GND) and Pin 10 (N/C)
- 2) Connect and RX (RS232 of TX to host
- 3) Place TX and RX in learn mode (hold learn button for 2 seconds)
- 4) Send the #L command from TX followed by channel number as a byte value:

i.e. #L 001 (Learn /Channel Number 1)

This will send a learn packet from the transmitter to the receiver. The receiver will flash its learn LED to signify that it has been pair correctly.

**Note: Now the RX has received the learn packet it no longer requires to be in learn mode.**

- 5) To switch the Outputs 1-8 on the receiver you will need to use the #S command followed by the channel number (the same as used in the learn process) and the outputs you wish to switch using BCD

i.e. #S 001 255 (Serial-to-Digital command / Channel number / Outputs 1-8 ALL ON)

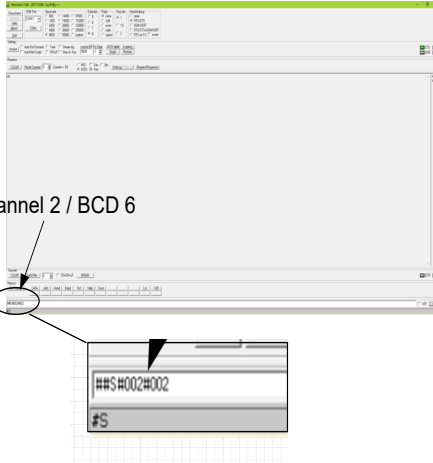
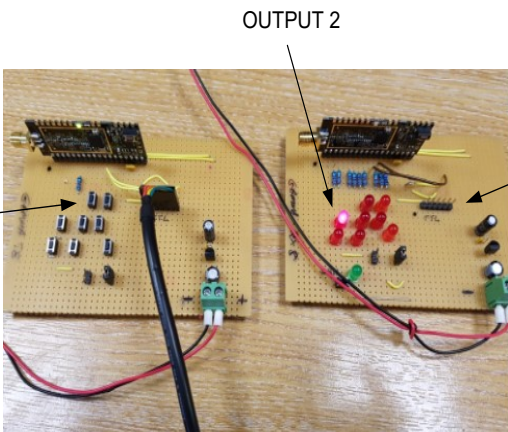
## Binary Coded Decimal Table

	Output 1	Output 2	Output 3	Output 4	Output 5	Output 6	Output 7	Output 8
BCD Value	1	2	4	8	16	32	64	128

## Example Outputs Using Terminal Program

The below examples show the outputs set ON/OFF via the #S command sent in a terminal program (please note that this terminal requires an additional “#” at the beginning of the line.).

Example 1: The O/P 2 is set active by sending the value 002.



Transmitter connected via LV232 to USB converter

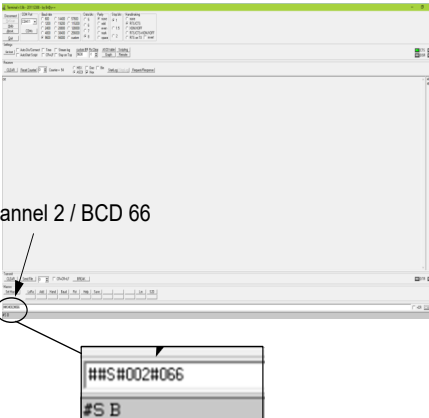
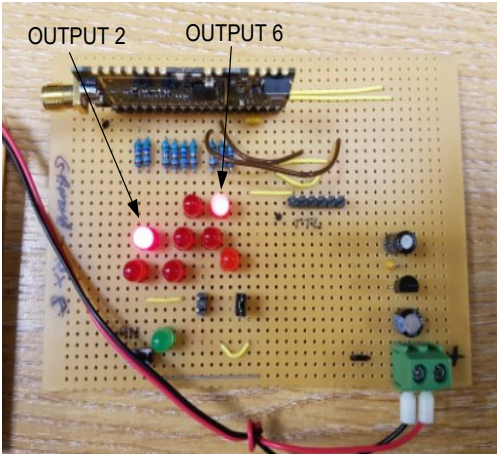
OUTPUT 2

Receiver showing outputs via LEDs

Channel 2 / BCD 6

```
##S#002#002  
#S
```

Example 2: The O/P 2 and 6 are set active by sending the command 066 (64 = output 6 + 2 = output 2).



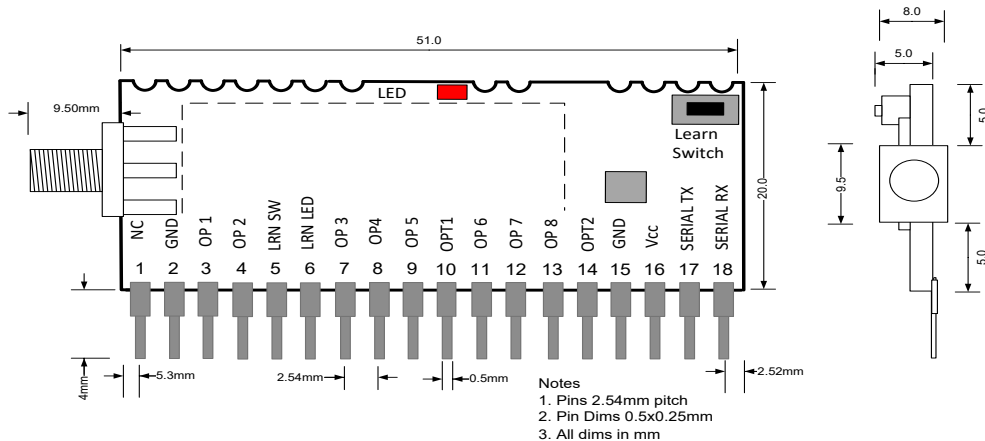
OUTPUT 2

OUTPUT 6

Channel 2 / BCD 66

```
##S#002#066  
#S B
```

## Mechanical Dimensions



## Range Considerations

The antenna choice and position directly affects the system range, keep it clear of any large metal parts. The best position is protruding vertically from the top of the product. This is often not desirable for practical reasons and thus a compromise may be needed. Note that the space around the antenna is as important as the antenna itself, all radio systems are dependent on a radio signal being received through airspace.

The range quoted is the optimal in direct line of sight, without obstacles and in good atmospheric conditions.

Range is affected by many things, for example local environmental conditions, atmospheric conditions, interference from other radio transmitters. For evaluating the local environment please see our RF meter (DS006)

## Self Test / Walk Test mode

The GAMMA module incorporates a self test which is initiated by applying power with the learn button being held down.

With the Option Link set to **TRANSMITTER** Mode

1. The GAMMA module will beacon out a PING signal (on board LED indicates a Transmit)
2. If a GAMMA Receiver receives this signal it will acknowledge,. The on board LED indicates acknowledge with a short LED illumination
3. A reset will be required to exit.

With the Option Link set to **RECEIVER** Mode

1. The GAMMA module Enters RSSI (Received Signal Strength Indicator) mode where outputs 1-8 are activated as a bar graph type output according to the strength of a valid RF signal received from any carrier.
2. A reset will be required to exit.



## Technical Specifications

Absolute Maximums:

Temperature range: **Storage:** -50 to +125°C. **Operating:** -10 to +50°C (tested)

Parameter	Min	Max	Units
Supply voltage Standard version	1.8	3.6 *	V
Supply voltage high Voltage version "R"	3.6	16 *	V
Voltage on any input	-0.3	5.8	V
Max input power (through RX antenna)		+10	dBm
Max current sourced / sunk (Per I/O)		15	mA
Max current sourced / sunk (Total)		100	mA

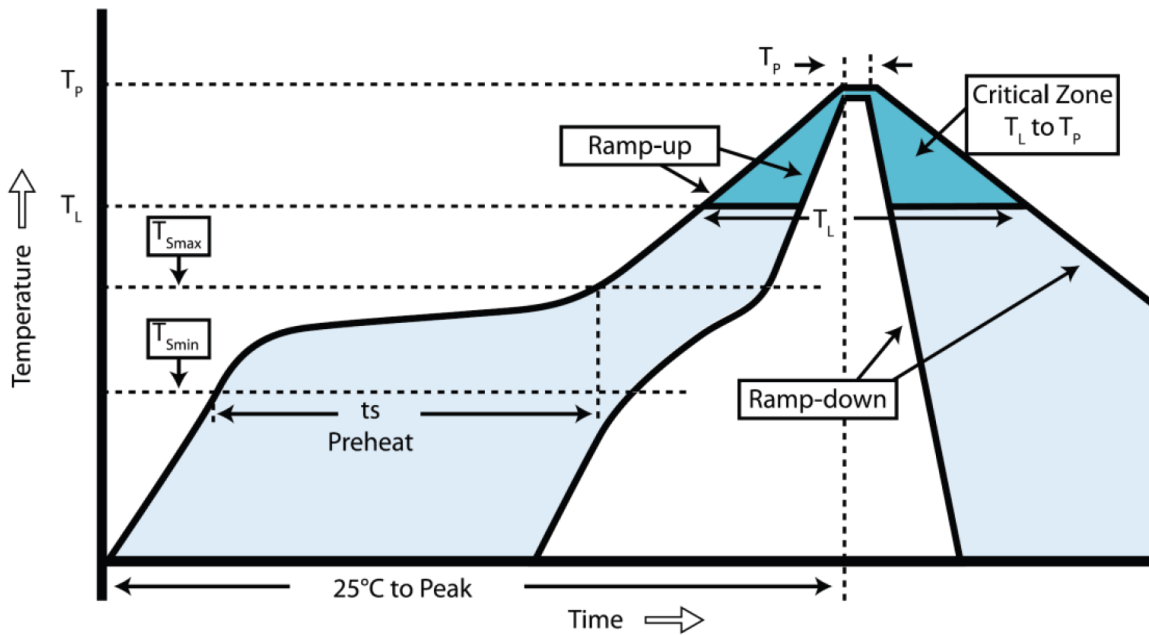
## DC Characteristics

Parameter	Min	Typical	Max	Units
Supply voltage	2.7	3.3V	3.6	V
Operating temperature	-40		+85	°C
GAMMA- TX supply current:				
When transmitting	145		155	mA
Low Voltage version when sleeping	2			uA
High Voltage version when sleeping	75			uA
GAMMA- RX supply current:				
When receiving	19	20	23	mA

## AC Characteristics

Parameter	Min	Typical	Max	Units
Operating frequency		869.5		MHz
Operating frequency for 915MHz version		915.00		MHz
Operating temperature	-40		+85	°C
GAMMA- TX output power			+20	dBm
GAMMA- RX Sensitivity	-121		-137	dBm

GAMMA module re-flow guide



The GAMMA MODULE is a 2 layer PCB, re-flow is based on IPC/JEDEC JSTD020C July 2004

Profile feature	Value (lead free)
Ramp up rate	3°C /s
Pre-heat temperature	
- Temperature Min ( $T_{Smin}$ )	150°C
- Temperature Max ( $T_{Smax}$ )	200°C
- Pre-heat time	60-100s
Peak temperature ( $T_P$ )	240°C
Time at $T_P$	10-20sec
Ramp down rate	6°C/s
Time from 25°C to peak	8 mins max.

## FCC / CE Certification for 915MHz versions of GAMMA module

GAMMA is an implementation of the LAMBDA RF module which has the benefit of being an FCC part 15 certified RF Module.

This enables the GAMMA module to be incorporated within a finished product and utilise the Lambda module FCC certification for the finished product with the following conditions.

1. The antenna to be used is either FLEXI-SMA-915 or FLEXI-SMA90-915
2. The finished product will display a label which is directly visible as follows:  
**Contains FCC ID: P90LAMD9**

Please note that although The radio characteristics are covered by the Lambda modular FCC ID of the grant, it is still the responsibility of the manufacturer to perform final checks on the product, such as ensuring the radiated transmitted power is within limits, and to assess the worst case spurious emission is within the FCC requirements of CFR47 Part 15.

Plea

## FCC / CE Certification

This device complies with Part 15 of the FCC Rules. Operation is subject to the following two conditions:

- (1) This device may not cause harmful interference.
- (2) This device must accept any interference received, including interference that may cause undesired operation.

**CAUTION:** Changes or modifications not expressly approved by the party responsible for compliance could void the user's authority to operate the equipment.

**NOTE:** This equipment has been tested and found to comply with the limits for a Class B digital device, pursuant to Part 15 of the FCC Rules. These limits are designed to provide reasonable protection against harmful interference in a residential installation. This equipment generates uses and can radiate radio frequency energy and, if not installed and used in accordance with the instructions, may cause harmful interference to radio communications. However, there is no guarantee that interference will not occur in a particular installation. If this equipment does cause harmful interference to radio or television reception, which can be determined by turning the equipment off and on, the user is encouraged to try to correct the interference by one or more of the following measures:

- Reorient or relocate the receiving antenna.
- Increase the separation between the equipment and receiver.
- Connect the equipment into an outlet on a circuit different from that to which the receiver is connected.
- Consult the dealer or an experienced radio/TV technician for help.

## FCC Radiation Exposure Statement:

This equipment complies with FCC radiation exposure limits set forth for an uncontrolled environment. This equipment should be installed and operated with minimum distance 20cm between the radiator & your body.

## OEM Integration Instructions:

This device is intended only for OEM integrators under the following conditions:

The module must be installed in the host equipment such that 20 cm is maintained between the antenna and users, and the transmitter module may not be co-located with any other transmitter or antenna. The module shall be only used with the antenna that has been originally tested and certified with this module. External antennas are not supported. As long as these 3 conditions above are met, further transmitter test will not be required.

However, the OEM integrator is still responsible for testing their end-product for any additional compliance requirements required with this module installed (for example, digital device emissions, PC peripheral requirements, etc.). The end-product may need Verification testing, Declaration of Conformity testing, a Permissive Class II Change or new Certification. Please involve a FCC certification specialist in order to determine what will be exactly applicable for the end-product.

## Validity of using the module certification:

In the event that these conditions cannot be met (for example certain laptop configurations or co-location with another transmitter), then the FCC authorization for this module in combination with the host equipment is no longer considered valid and the FCC ID of the module cannot be used on the final product. In these circumstances, the OEM integrator will be responsible for re-evaluating the end product (including the transmitter) and obtaining a separate FCC authorization. In such cases, please involve a FCC certification specialist in order to determine if a Permissive Class II Change or new Certification is required.

## Upgrade Firmware:

No software is provided for firmware upgrade will not be capable to affect any RF parameters as certified for the FCC for this module, in order to prevent compliance issues.

## End product labeling:

This transmitter module is authorized only for use in device where the antenna may be installed such that 20 cm may be maintained between the antenna and users. The final end product must be labeled in a visible area with the following: **“Contains FCC ID: P90LAMDA9”**.

## Information that must be placed in the end user manual:

The OEM integrator has to be aware not to provide information to the end user regarding how to install or remove this RF module in the user's manual of the end product which integrates this module. The end user manual shall include all required regulatory information/warning as show in this manual.

## RF Solutions Ltd. recycling notice

Meets the following EC Directives:

**DO NOT** Discard with normal waste, please recycle.

### **ROHS Directive 2002/95/EC**

Specifies certain limits for hazardous substances.

### **WEEE Directive 2002/96/EC**

Waste electrical & electronic equipment. This product must be disposed of through a licensed WEEE collection point. RF Solutions Ltd., fulfils its WEEE obligations by membership of an approved compliance scheme.

**RF Solutions Ltd.**

**William Way, Burgess Hill,**

**West. Sussex. RH15 9AG. England.**

**Email : [sales@rfsolutions.co.uk](mailto:sales@rfsolutions.co.uk) / [support@rfsolutions.co.uk](mailto:support@rfsolutions.co.uk)**

**<http://www.rfsolutions.co.uk>**

**Tel Sales: +44 (0)1444 227 900**

**Tel support: +44 (0)1444 227 909**

#### Disclaimer:

Whilst the information in this document is believed to be correct at the time of issue, RF Solutions Ltd does not accept any liability whatsoever for its accuracy, adequacy or completeness. No express or implied warranty or representation is given relating to the information contained in this document. RF Solutions Ltd reserves the right to make changes and improvements to the product(s) described herein without notice. Buyers and other users should determine for themselves the suitability of any such information or products for their own particular requirements or specification(s). RF Solutions Ltd shall not be liable for any loss or damage caused as a result of user's own determination of how to deploy or use RF Solutions Ltd's products. Use of RF Solutions Ltd products or components in life support and/or safety applications is not authorised except with express written approval. No licences are created, implicitly or otherwise, under any of RF Solutions Ltd's intellectual property rights. Liability for loss or damage resulting or caused by reliance on the information contained herein or from the use of the product (including liability resulting from negligence or where RF Solutions Ltd was aware of the possibility of such loss or damage arising) is excluded. This will not operate to limit or restrict RF Solutions Ltd's liability for death or personal injury resulting from its negligence.

## X-ON Electronics

Largest Supplier of Electrical and Electronic Components

*Click to view similar products for [Sub-GHz Modules](#) category:*

*Click to view products by [RF Solutions](#) manufacturer:*

Other Similar products are found below :

[HMC-C024](#) [nRF24L01P-MODULE-SMA](#) [CMD-KEY2-418-CRE](#) [V640-A90](#) [SM1231E868](#) [HMC-C582](#) [SM-MN-00-HF-RC](#) [HMC-C031](#)  
[LoRa Node Kit\(US\)](#) [Sierra HL7588 4G KIT\(US\)](#) [WISE-4610-S672NA](#) [EC21AUFA-MINIPCIE](#) [EC21EUGA-MINIPCIE](#) [CS-EASYSWITCH-](#)  
[25](#) [EC21JFB-MINIPCIE](#) [DL-RFM96-433M](#) [Ra-07H-V1.1](#) [Ra-07](#) [Ra-01SH](#) [Ra-01S-T](#) [Ra-01SH-T](#) [CMD-HHCP-418-MD](#) [CMD-HHLR-418-](#)  
[MD](#) [2095000000200](#) [XB9X-DMRS-031](#) [20911051101](#) [COM-13909](#) [HMC-C033](#) [COM-13910](#) [WRL-14498](#) [SX1276RF1KAS](#) [HMC-C011](#)  
[HMC-C014](#) [HMC-C050](#) [HMC-C001](#) [HMC-C006](#) [HMC-C030](#) [HMC-C021](#) [HMC-C041](#) [HMC-C042](#) [HMC-C048](#) [HMC-C051](#) [HMC-C072](#)  
[HMC-C088](#) [702-W](#) [HUM-900-PRC](#) [ISP4520-EU-ST](#) [ZCTR-06](#) [RXM-433-LR](#) [TXM-433-LC](#)