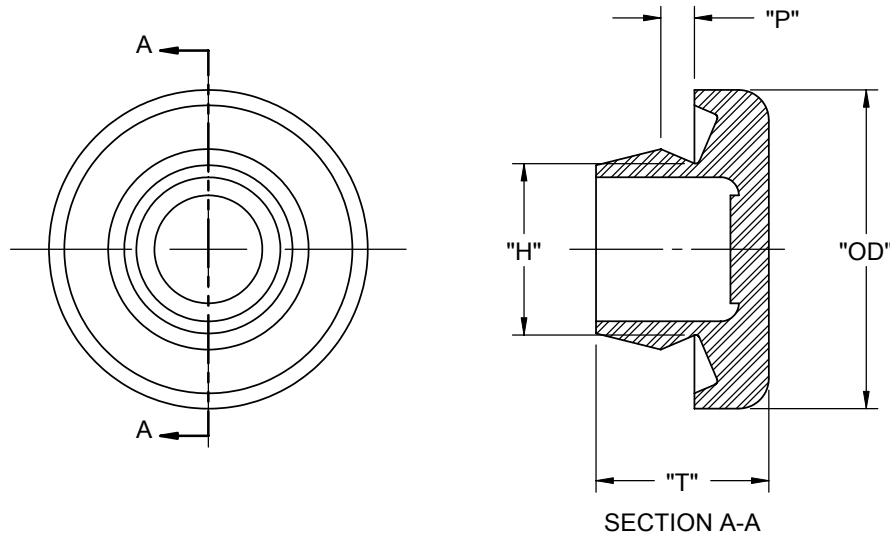


| PART NO. | PANEL HOLE SIZE "H" | PANEL THICKNESS "P" | OUTSIDE DIAMETER "OD" | BODY PLUG THICKNESS "T" | MATERIAL |
|----------|---------------------|---------------------|-----------------------|-------------------------|----------|
| BP-16230 | .39 [10] | .03-.08 [0.8-2] | .76 [19.3] | .43 [10.9] | RMS-262 |
| BP-16231 | .47 [12] | .03-.08 [0.8-2] | .83 [21] | .45 [11.4] | RMS-262 |
| BP-16232 | .55 [14] | .03-.08 [0.8-2] | .91 [23] | .45 [11.4] | RMS-262 |
| BP-16233 | .63 [16] | .03-.08 [0.8-2] | .98 [25] | .47 [12] | RMS-67 |
| BP-16234 | .71 [18] | .03-.08 [0.8-2] | 1.06 [27] | .45 [11.4] | RMS-262 |
| BP-16236 | .87 [22] | .03-.08 [0.8-2] | 1.23 [31.2] | .43 [10.9] | RMS-262 |
| BP-16238 | 1.18 [30] | .03-.08 [0.8-2] | 1.55 [39.4] | .42 [10.7] | RMS-262 |



NOTES:
 1. MATERIAL: THERMOPLASTIC ELASTOMER UL 94 HB.
 2. COLOR: BLACK.

| TITLE: BODY PLUG | | | DWG IN IN [MM] | | FINAL | |
|---|--|---------------|----------------|-----------|------------|----|
| CREATED USING SOLIDWORKS | FILE #: BP | DWN: SK | APP: RT | PART # | | |
| TOLERANCES UNLESS NOTED .XX=±.010 .XXX=±.005 FRAC.=±1/64 ANG.=±1° | SHEET: 1 OF 1 | SHEET SIZE: A | DT: 06/11/07 | CHKD: DZ | PRINT TYPE | |
| RE: RICHCO, INC. -- | RICHCO, INC. ENG@RICHCO-INC.COM (773) 539-4060 | | | SEE TABLE | | CA |
| C SEE CO 200041 FOR CHANGES SK 09/28/07 | | | | | | |
| B SEE ECN #1332 FOR CHANGES SK 06/12/07 | | | | | | |
| A CHANGED FILE NO. AND TABLE HEADING SM 01.02.02 | | | | | | |
| REV. DESCRIPTION ENGR. DATE | | | | | | |

X-ON Electronics

Largest Supplier of Electrical and Electronic Components

Click to view similar products for [Conduit Fittings & Accessories](#) category:

Click to view products by [Richco](#) manufacturer:

Other Similar products are found below :

[S53.35A](#) [260-416](#) [DM0240-1/2A](#) [817.612.0](#) [55506625](#) [1.511.2001.50](#) [1.533.1601.50](#) [1.533.2001.50](#) [52005810](#) [817.716.0](#) [712.015.0](#) [216-420](#) [2276](#) [2663-P](#) [C2070-P](#) [3582V](#) [2643-P](#) [4975](#) [2644-P](#) [90480](#) [2404-P](#) [1047561](#) [2723-P](#) [55506355](#) [1.513.1101.14](#) [55502461](#) [55502462](#) [55502463](#) [55502464](#) [55502473](#) [166-22214](#) [166-22215](#) [166-24800](#) [166-25801](#) [166-30318](#) [SHR-C1](#) [2037 12-20 LGR](#) [2037 16-24 LGR](#) [HP50SS](#) [55502470](#) [SH PA6 BL ND10](#) [5308 946](#) [295.012.0](#) [2955 M16](#) [2955 M25](#) [2955 M32](#) [2955 M40](#) [297.212.0](#) [297.240.0](#) [298.012.0](#)