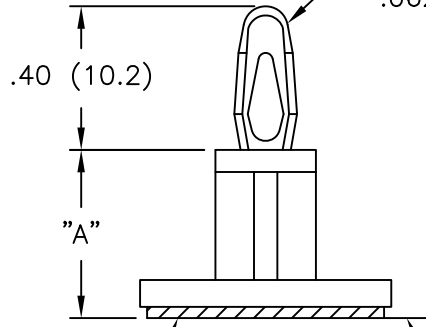


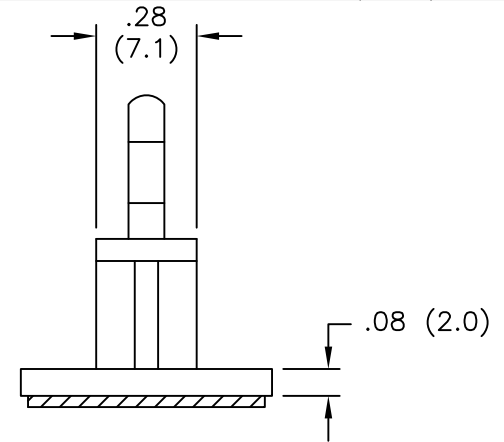
TO SNAP-FIT IN A $.156 \pm .003$
(4.00 ± 0.08) DIA. HOLE, IN A
.062 (1.57) THICK BOARD



1/32 (0.8) THICK,
DOUBLE SIDED
ADHESIVE TAPE

TYPICAL RELEASE
TAB LOCATION

PART NO.	"A" $\pm .015$ (± 0.4)
CBSB-3-01A-RT	3/16 (4.8)
CBSB-4-01A-RT	1/4 (6.4)
CBSB-6-01A-RT	3/8 (9.5)
CBSB-8-01A-RT	1/2 (12.7)
CBSB-9-01A-RT	9/16 (14.3)
CBSB-10-01A-RT	5/8 (15.9)
CBSB-12-01A-RT	3/4 (19.1)
CBSB-14-01A-RT	7/8 (22.2)
CBSB-16-01A-RT	1 (25.4)
CBSB-18-01A-RT	1-1/8 (28.6)



NOTES:

- MAT'L: NYLON 6/6 (RMS-01).
FLAME RETARDANT, NYLON (RMS-19),
AVAILABLE BY SPECIAL ORDER ONLY.
- COLOR: NATURAL.
- ACRYLIC ADHESIVE TAPE (RMS-15), WHITE LINER.
PART ALSO AVAILABLE WITHOUT TAPE.
TO ORDER REMOVE "A-RT" FROM PART NO.
[SUBTRACT 1/32 (0.8) FROM "A" DIM]

TITLE: CIRCUIT BOARD SUPPORT ON BASE		DWG IN IN (MM)		FINAL	
TOLERANCES UNLESS NOTED .XX= $\pm .010$.XXX= $\pm .005$ FRAC= $\pm 1/64$ ANG= $\pm 1^\circ$	FILE # CBSB	DWN: P.B.	APP:	PART #	
	MAT'L: SEE NOTES	DT: 02-06-95	DT:	SEE TABLE	
	RE: RICHCO, INC.	RICHCO INC. PO BOX 804238, CHICAGO, 60680 (773) 539-4060		PRINT TYPE CA	

REV	DESCRIPTION	ENGR	DATE
C	SEE CO 200324 FOR CHANGES	SK	02.11.09
B	UPDATED NOTES AND CHANGED FILE NO.	SM	05.08.02
A	MAT'L RMS-19 ADDED	J.L.	12.18.97

X-ON Electronics

Largest Supplier of Electrical and Electronic Components

Click to view similar products for [Circuit Board Hardware - PCB category](#):

Click to view products by [Richco manufacturer](#):

Other Similar products are found below :

[8919-0-00-15-00-00-03-0](#) [0132-0-15-01-30-27-04-0](#) [0135-0-15-01-30-27-04-0](#) [5970-1-15-01-32-14-04-0](#) [0132-0-15-15-30-27-04-0](#) [0135-0-15-15-30-27-04-0](#) [0149-0-15-15-30-27-04-0](#) [MBI 1 BLUE](#) [7305-0-15-15-47-14-10-0](#) [MKU 1 BLACK](#) [MLN 150/1 BLACK](#) [8579-0-15-80-11-27-10-0](#) [8579-1-15-15-11-27-10-0](#) [8637-0-15-15-21-14-10-0](#) [8830-0-15-01-22-14-10-0](#) [8836-0-00-21-00-00-03-0](#) [PRUEF 2 RED](#) [9976-0-00-00-00-00-03-0](#) [1178-0-01-80-00-00-03-0](#) [PW1616](#) [1215-3-05-00-00-00-01-0](#) [1303-0-15-15-47-14-04-0](#) [1404-3](#) [1404-4](#) [1406-4](#) [1407-3](#) [1406-3](#) [1407-4](#) [1408-3](#) [1424-4](#) [1426-3](#) [1427-3](#) [1427-4](#) [1428-3](#) [1419-4](#) [1424-3](#) [1426-4](#) [1428-4](#) [MPS 1 BLACK](#) [1520150-1](#) [1548-103](#) [1801-0-15-15-30-27-04-0](#) [1938-0-00-00-00-00-03-0](#) [1942-0-00-00-00-00-03-0](#) [2101-3-00-44-00-00-07-0](#) [2104-2-01-44-00-00-07-0](#) [2108-2-00-50-00-00-07-0](#) [2108-3-00-44-00-00-07-0](#) [2109-2-00-44-00-00-07-0](#) [2110-2-00-44-00-00-07-0](#)