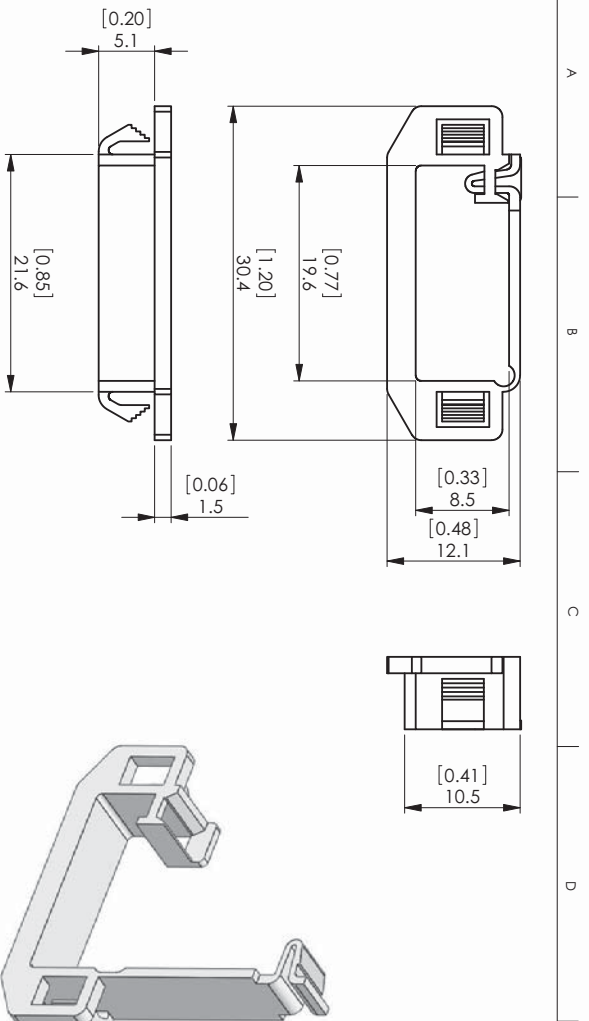


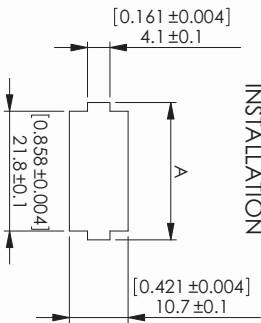
REV	MODIFICATION	DATE	DRN
01	PRODUCTION RELEASED	11/09/08	I/C
02	CO2010500	02/11/08	I/C
03	CO2010641	01/05/09	S.F.



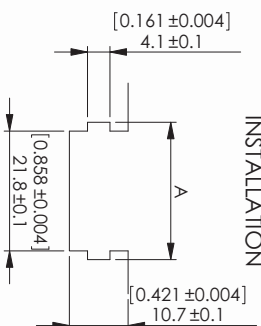
ALSO AVAILABLE IN NYLON 6/6 UL94 V-0
TO ORDER REPLACE -01 WITH -19

PANEL MOUNTING DETAILS

THROUGH HOLE
INSTALLATION



EDGE
INSTALLATION



PANEL THICKNESS	'A'
0.8 - 1.6 [0.032 - 0.063]	25.0 ± 0.1 [0.984 ± 0.004]
2.0 [0.079]	26.0 ± 0.1 [1.023 ± 0.004]

INFORMATION CONTAINED IN THIS DOCUMENT IS CONFIDENTIAL TO RICHCO INTERNATIONAL CO. LTD. AND MAY NOT BE DISCLOSED OR REPRODUCED IN WHOLE OR PART WITHOUT THEIR WRITTEN CONSENT.



Richco

ALL DIMENSIONS IN mm
GENERAL TOLERANCES ±0.25
UNLESS OTHERWISE STATED
1 DECIMAL PLACE ±0.25
2 DECIMAL PLACES ±0.10
ANGULAR ±1°



MATERIAL: NYLON 6/6 UL94 V-2 (RMS-01)
COLOUR: NATURAL

DESCRIPTION:	HINGED EDGE WIRE SADDLE		PART NO.:	HEWSE-25-01
DRG NO.:	08-027	NPR NO.:	DE08-0004	MSS: (G) 0.6
DRN	DATE	CHKD	DATE	SCALE
I/C	19/03/08	S.F.	19/03/08	2:1
				SHEET NO. 1 OF 1

FORM No. 0145/02

X-ON Electronics

Largest Supplier of Electrical and Electronic Components

Click to view similar products for [Cable Mounting & Accessories](#) category:

Click to view products by [Richco](#) manufacturer:

Other Similar products are found below :

[HP-4N](#) [582603-1](#) [009333-000](#) [727844N003](#) [809090N001](#) [8109](#) [843188-000](#) [843459N001](#) [843460N003](#) [8666](#) [967279N002](#) [GPQC1/0](#) [DB-11](#) [1300830208](#) [1300840039](#) [1300900026](#) [1300990052](#) [1301740005](#) [1301800121](#) [1301800416](#) [1300830184](#) [1300990149](#) [1301580036](#) [1301720103](#) [1301720135](#) [1301720152](#) [1301720157](#) [1301740009](#) [1301770011](#) [1301850553](#) [1301860939](#) [1302000074](#) [1302264431](#) [1337706-2](#) [APA18-AK](#) [MTX6UTPSRC-C](#) [1-787307-1](#) [185491N001](#) [HP-6N](#) [C-202-C](#) [202C221-13-0](#) [OMTM-S10-C0](#) [205339-4](#) [CA7308-000](#) [8S23-75FR-CS8184](#) [2684](#) [9648](#) [3089](#) [988382-000](#) [A0270164](#)