

PART NO.	"A" HOLDING CAPACITY	"B"±.015	"C"±.020	"D" REF AT MAX. CAPACITY	FIG NO.
KKL-4-RT	1/4 [6.4]	3/4 [19.7]	3/4 [19.7]	9/16 [14.3]	1
KKL-8-RT	1/2 [12.7]	1 [25.4]	1 [25.4]	27/32 [21.4]	2
KKL-12-RT	3/4 [19.1]			1 [25.4]	

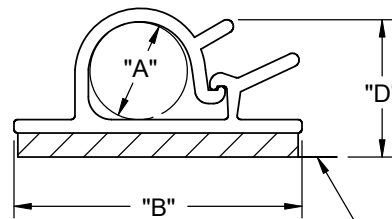
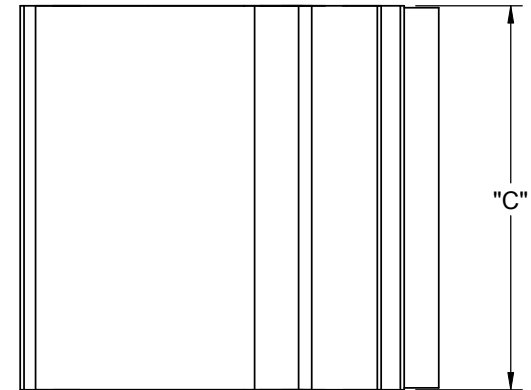
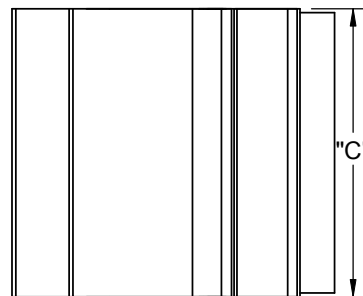


FIG 1.

TYPICAL RELEASE TAB LOCATION

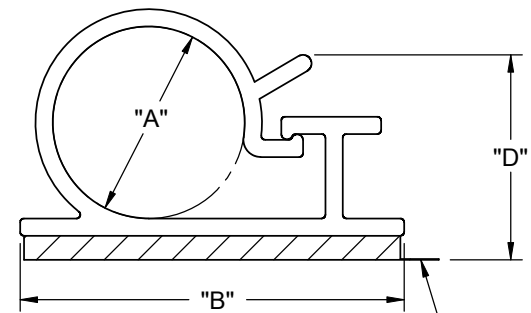


FIG 2.

TYPICAL RELEASE TAB LOCATION

NOTES:

1. MATERIAL: RIGID PVC (RMS-04)
ALSO AVAILABLE IN CLEAR PVC (RMS-32), BY SPECIAL ORDER.
2. COLOR: GRAY.
3. TAPE: 1/16 [1.6] THICK, DOUBLE SIDED ADHESIVE (RMS-15), WHITE LINER.
4. CUSTOM LENGTHS AVAILABLE BY SPECIAL ORDER.
5. COLOR BLACK AVAILABLE BY SPECIAL ORDER ONLY.
TO ORDER ADD SUFFIX "-BK" TO THE PART NO.

TITLE: KWIK-KLIP, TYPE "L"					DWG IN IN [MM]	
CREATED USING SOLIDWORKS	FILE #: KKL	DWN: S.M.	APP: -	FINAL		
TOLERANCES UNLESS NOTED .XX=±.010 .XXX=±.005 FRAC.=±1/64 ANG.=±1°	SHEET: 1 OF 1	SHEET SIZE: A	DT: 11/28/00	CHKD: -	PART #	PRINT TYPE
RE: RICHCO, INC.	RICHCO, INC. ENG@RICHCO-INC.COM (773) 539-4060		SEE TABLE		CA	

G	SEE CO 200197 FOR CHANGES	SK	06/03/08
-	SEE ENGINEERING FOR REV A-F	---	----
REV.	DESCRIPTION	ENGR.	DATE

X-ON Electronics

Largest Supplier of Electrical and Electronic Components

Click to view similar products for [Cable Mounting & Accessories](#) category:

Click to view products by [Richco](#) manufacturer:

Other Similar products are found below :

[HP-4N](#) [582603-1](#) [009333-000](#) [727844N003](#) [809090N001](#) [8109](#) [843188-000](#) [843459N001](#) [843460N003](#) [8666](#) [967279N002](#) [GPQC1/0](#) [DB-11](#) [1300830208](#) [1300840039](#) [1300900026](#) [1300990052](#) [1301740005](#) [1301800121](#) [1301800416](#) [1300830184](#) [1300990149](#) [1301580036](#) [1301720103](#) [1301720135](#) [1301720152](#) [1301720157](#) [1301740009](#) [1301770011](#) [1301850553](#) [1301860939](#) [1302000074](#) [1302264431](#) [1337706-2](#) [APA18-AK](#) [MTX6UTPSRC-C](#) [1-787307-1](#) [185491N001](#) [HP-6N](#) [C-202-C](#) [202C221-13-0](#) [OMTM-S10-C0](#) [205339-4](#) [CA7308-000](#) [8S23-75FR-CS8184](#) [2684](#) [9648](#) [3089](#) [988382-000](#) [A0270164](#)