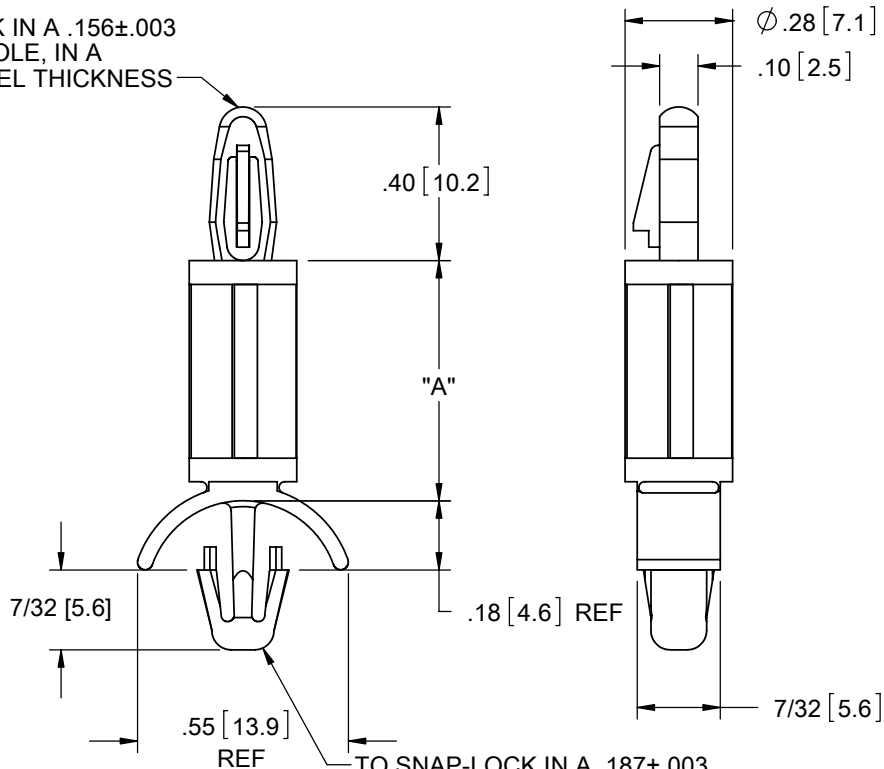
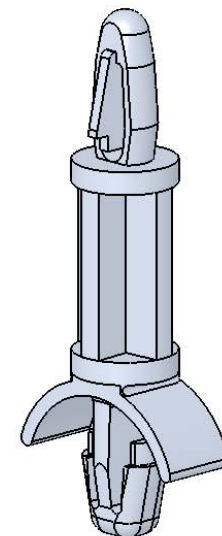


TO SNAP-LOCK IN A  $.156 \pm .003$   
 $[4 \pm 0.08]$  DIA. HOLE, IN A  
 $.062 [1.57]$  PANEL THICKNESS



MATERIAL: NYLON 6/6 UL 94 V-2 (RMS-01) PART NO.	MATERIAL: NYLON 6/6 UL 94 V-0 (RMS-19) PART NO.	DIM. "A" ± .015
LCBS-2-3-01	LCBS-2-3-19	3/16 [4.8]
LCBS-2-4-01	LCBS-2-4-19	1/4 [6.4]
LCBS-2-5-01	LCBS-2-5-19	5/16 [7.9]
LCBS-2-6-01	LCBS-2-6-19	3/8 [9.5]
LCBS-2-7-01	LCBS-2-7-19	7/16 [11.1]
LCBS-2-8-01	LCBS-2-8-19	1/2 [12.7]
LCBS-2-10-01	LCBS-2-10-19	5/8 [15.9]
LCBS-2-12-01	LCBS-2-12-19	3/4 [19.1]
LCBS-2-14-01	LCBS-2-14-19	7/8 [22.2]
LCBS-2-16-01	LCBS-2-16-19	1.0 [25.4]
LCBS-2-18-01	LCBS-2-18-19	1-1/8 [28.6]
LCBS-2-20-01	LCBS-2-20-19	1-1/4 [31.7]
LCBS-2-22-01	LCBS-2-22-19	1-3/8 [34.9]



NOTES:

1. MATERIAL: NYLON 4/6, UL 94 V-2 (RMS-109), AVAILABLE BY SPECIAL ORDER ONLY. TO ORDER REPLACE "-01" WITH "-109"
2. COLOR: NATURAL
3. ALTERNATE UNITS FOR REFERENCE ONLY

TITLE: LOCKING CIRCUIT BOARD SUPPORT, TYPE 2				DWG IN IN [mm]			
CREATED USING SOLIDWORKS	FILE #: LCBS-2	DWN: SK	APP: RT	FINAL			
TOLERANCES UNLESS NOTED XX=±.010 .XXX=±.005 FRAC.=±1/64 ANG.=±1°	SHEET: 1 OF 1	SHEET SIZE: A	DT: 08/23/06	CHKD: SJ	PART #		PRINT TYPE
RE: RICHCO, INC.	RICHCO, INC.		ENG@RICHCO-INC.COM (773) 539-4060		SEE TABLE		CA

E	REDRAWN, SEE ECN #1211 FOR CHANGES	SK	09/08/06
-	SEE ENG FOR REV A-D	-	----
REV.	DESCRIPTION	ENGR.	DATE

## X-ON Electronics

Largest Supplier of Electrical and Electronic Components

*Click to view similar products for [Circuit Board Hardware - PCB category](#):*

*Click to view products by [Richco manufacturer](#):*

Other Similar products are found below :

[8919-0-00-15-00-00-03-0](#) [0132-0-15-01-30-27-04-0](#) [0135-0-15-01-30-27-04-0](#) [5970-1-15-01-32-14-04-0](#) [0132-0-15-15-30-27-04-0](#) [0135-0-15-15-30-27-04-0](#) [0149-0-15-15-30-27-04-0](#) [MBI 1 BLUE](#) [7305-0-15-15-47-14-10-0](#) [MKU 1 BLACK](#) [MLN 150/1 BLACK](#) [8579-0-15-80-11-27-10-0](#) [8579-1-15-15-11-27-10-0](#) [8637-0-15-15-21-14-10-0](#) [8830-0-15-01-22-14-10-0](#) [8836-0-00-21-00-00-03-0](#) [PRUEF 2 RED](#) [9976-0-00-00-00-00-03-0](#) [1178-0-01-80-00-00-03-0](#) [PW1616](#) [1215-3-05-00-00-00-01-0](#) [1303-0-15-15-47-14-04-0](#) [1404-3](#) [1404-4](#) [1406-4](#) [1407-3](#) [1406-3](#) [1407-4](#) [1408-3](#) [1424-4](#) [1426-3](#) [1427-3](#) [1427-4](#) [1428-3](#) [1419-4](#) [1424-3](#) [1426-4](#) [1428-4](#) [MPS 1 BLACK](#) [1520150-1](#) [1548-103](#) [1801-0-15-15-30-27-04-0](#) [1938-0-00-00-00-00-03-0](#) [1942-0-00-00-00-00-03-0](#) [2101-3-00-44-00-00-07-0](#) [2104-2-01-44-00-00-07-0](#) [2108-2-00-50-00-00-07-0](#) [2108-3-00-44-00-00-07-0](#) [2109-2-00-44-00-00-07-0](#) [2110-2-00-44-00-00-07-0](#)