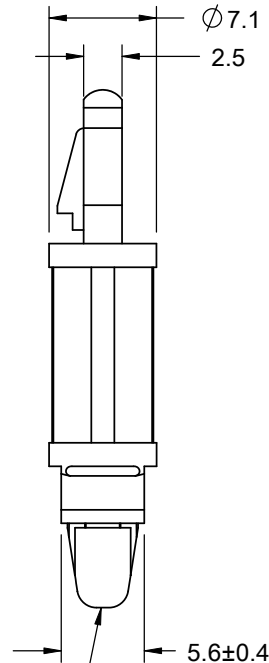
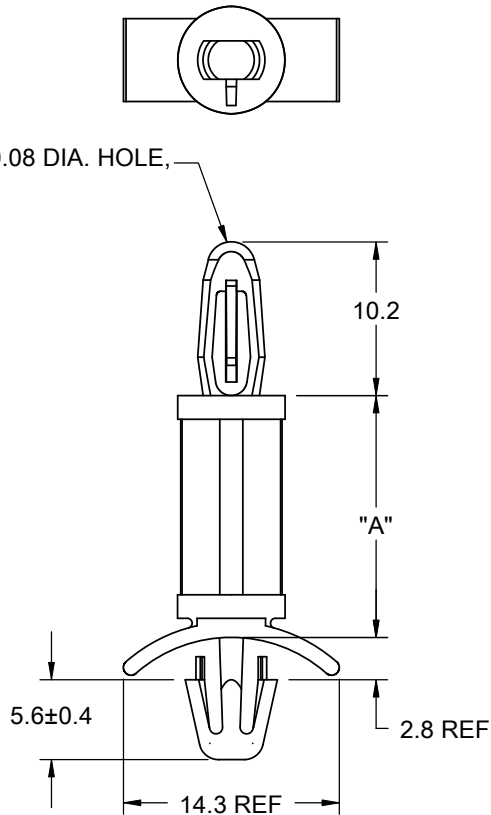


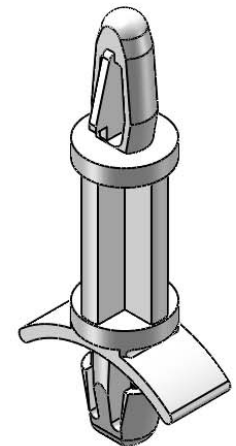
AVAILABLE BY SPECIAL ORDER ONLY

PART NO.	DIM. "A"±0.4
LCBS-6M-01	6
LCBS-8M-01	8
LCBS-10M-01	10
LCBS-12M-01	12
LCBS-14M-01	14
LCBS-16M-01	16

TO SNAP-LOCK IN A 4±0.08 DIA. HOLE, IN A 1.57 THICK BOARD



TO SNAP-LOCK IN A 4.75±0.08 DIA. HOLE, IN A 0.79-1.98 PANEL THICKNESS



NOTES:

- MATERIAL: NYLON 6/6 UL 94 V-2 (RMS-01).
MATERIAL: NYLON 6/6 UL 94 V-0 (RMS-19),
AVAILABLE BY SPECIAL ORDER. TO ORDER
REPLACE "-01" WITH "-19".
- COLOR: NATURAL.
BLUE AVAILABLE BY SPECIAL ORDER ONLY.

REV.	DESCRIPTION	ENGR.	DATE
E	SEE CO 200290 FOR CHANGES	SK	12/04/08
D	REDRAWN, SEE ECN #1208 FOR CHANGES	SK	11/29/06
-	SEE ENGINEERING FOR REV A-C	---	-----

TITLE: LOCKING CIRCUIT BOARD SUPPORT (METRIC)				DWG IN mm		FINAL	
CREATED USING SOLIDWORKS	FILE #: LCBS-M	DWN: SK	APP: RT				
GENERAL TOLERANCE UNLESS NOTED ±0.25 ANG.±1°	SHEET: 1 OF 1	SHEET SIZE: A	DT: 11/16/06	CHKD: SJ	PART #		PRINT TYPE
RE: RICHCO, INC.			RICHCO, INC. ENG@RICHCO-INC.COM (773) 539-4060		SEE TABLE		EA

X-ON Electronics

Largest Supplier of Electrical and Electronic Components

Click to view similar products for [Circuit Board Hardware - PCB category](#):

Click to view products by [Richco manufacturer](#):

Other Similar products are found below :

[8919-0-00-15-00-00-03-0](#) [0132-0-15-01-30-27-04-0](#) [0135-0-15-01-30-27-04-0](#) [5970-1-15-01-32-14-04-0](#) [0132-0-15-15-30-27-04-0](#) [0135-0-15-15-30-27-04-0](#) [0149-0-15-15-30-27-04-0](#) [MBI 1 BLUE](#) [7305-0-15-15-47-14-10-0](#) [MKU 1 BLACK](#) [MLN 150/1 BLACK](#) [8579-0-15-80-11-27-10-0](#) [8579-1-15-15-11-27-10-0](#) [8637-0-15-15-21-14-10-0](#) [8830-0-15-01-22-14-10-0](#) [8836-0-00-21-00-00-03-0](#) [PRUEF 2 RED](#) [9976-0-00-00-00-00-03-0](#) [1178-0-01-80-00-00-03-0](#) [PW1616](#) [1215-3-05-00-00-00-01-0](#) [1303-0-15-15-47-14-04-0](#) [1404-3](#) [1404-4](#) [1406-4](#) [1407-3](#) [1406-3](#) [1407-4](#) [1408-3](#) [1424-4](#) [1426-3](#) [1427-3](#) [1427-4](#) [1428-3](#) [1419-4](#) [1424-3](#) [1426-4](#) [1428-4](#) [MPS 1 BLACK](#) [1520150-1](#) [1548-103](#) [1801-0-15-15-30-27-04-0](#) [1938-0-00-00-00-00-03-0](#) [1942-0-00-00-00-00-03-0](#) [2101-3-00-44-00-00-07-0](#) [2104-2-01-44-00-00-07-0](#) [2108-2-00-50-00-00-07-0](#) [2108-3-00-44-00-00-07-0](#) [2109-2-00-44-00-00-07-0](#) [2110-2-00-44-00-00-07-0](#)