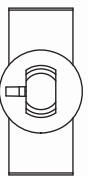
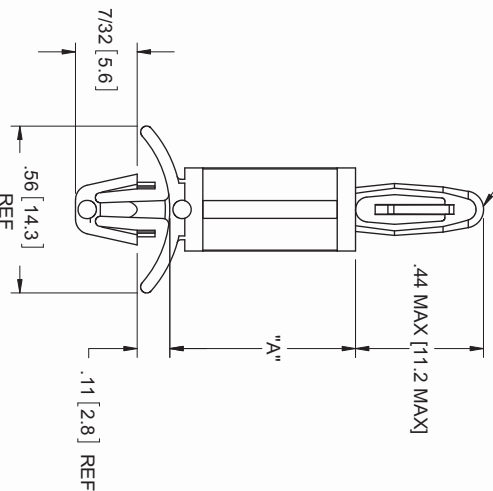


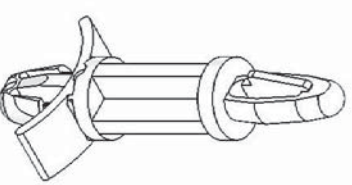
AVAILABLE BY SPECIAL ORDER- NAFTA REGION ONLY



TO SNAP-LOCK IN A .156±.003
[4.40.08] DIA. HOLE IN A
.093 [2.4] PANEL THICKNESS



TO SNAP-LOCK IN A .187±.003
[4.75±0.08] DIA. HOLE IN A
.031-.078 [0.79-1.98] PANEL THICKNESS



MATERIAL: NYLON 6/6 UL 94 V-2 (RMS-01) PART NO.	DIM. "A"±.015 [0.4]
LOBSA-3-3-01	3/16 [4.8]
LOBSA-3-4-01	1/4 [6.4]
LOBSA-3-5-01	5/16 [7.9]
LOBSA-3-6-01	3/8 [9.5]
LOBSA-3-7-01	7/16 [11.1]
LOBSA-3-8-01	1/2 [12.7]
LOBSA-3-10-01	5/8 [15.9]
LOBSA-3-12-01	3/4 [19.1]
LOBSA-3-14-01	7/8 [22.2]
LOBSA-3-16-01	1 [25.4]
LOBSA-3-18-01	1-1/8 [28.6]
LOBSA-3-20-01	1-1/4 [31.7]
LOBSA-3-22-01	1-3/8 [34.9]

- NOTES:
1. MATERIAL: NYLON 6/6 UL 94 V-0 (RMS-19),
AVAILABLE BY SPECIAL ORDER. TO ORDER
REPLACE ".01" WITH ".19".
2. COLOR: NATURAL.
3. ALTERNATE UNITS FOR REFERENCE ONLY.

TITLE: LOCKING CKT BD. SUPPORT, SPECIAL		UNITS: IN [mm]	PRINT TYPE CA
E	DIMENSION FROM 4.3 TO .44 MAX. ECU#1384	DZ 10/24/2013	
D	CHANGED PART NUMBER. CO 200805	SK 12/02/2010	
C	REDRAWN. SEE ECU #1208 FOR CHANGES	SK 11/29/2006	
B	SEE ECU #862 FOR CHANGES	SM 10/04/2004	
A	UPDATED PRINT AND CHANGED FILE NUMBER	SM 09/27/2001	
REV.	DESCRIPTION	ENGR. DATE	
TITLE: LOCKING CKT BD. SUPPORT, SPECIAL SHEET: 1 OF 1 SHEET SIZE: A DWG: SK APP: RT CHKD: SJ PART # SEE TABLE UNITS: IN [mm] PRINT TYPE: CA		CREATED USING TOLERANCES UNLESS SPECIFIED .XXX±.010 .XXX±.005 .RAC ±1/64 .ANG ±1°	RICHICO, INC. ENG@RICHICO.INC.COM (773) 539-4060

X-ON Electronics

Largest Supplier of Electrical and Electronic Components

Click to view similar products for [Circuit Board Hardware - PCB category](#):

Click to view products by [Richco manufacturer](#):

Other Similar products are found below :

[8919-0-00-15-00-00-03-0](#) [0132-0-15-01-30-27-04-0](#) [0135-0-15-01-30-27-04-0](#) [5970-1-15-01-32-14-04-0](#) [0132-0-15-15-30-27-04-0](#) [0135-0-15-15-30-27-04-0](#) [0149-0-15-15-30-27-04-0](#) [MBI 1 BLUE](#) [7305-0-15-15-47-14-10-0](#) [MKU 1 BLACK](#) [MLN 150/1 BLACK](#) [8579-0-15-80-11-27-10-0](#) [8579-1-15-15-11-27-10-0](#) [8637-0-15-15-21-14-10-0](#) [8830-0-15-01-22-14-10-0](#) [8836-0-00-21-00-00-03-0](#) [PRUEF 2 RED](#) [9976-0-00-00-00-00-03-0](#) [1178-0-01-80-00-00-03-0](#) [PW1616](#) [1215-3-05-00-00-00-01-0](#) [1303-0-15-15-47-14-04-0](#) [1404-3](#) [1404-4](#) [1406-4](#) [1407-3](#) [1406-3](#) [1407-4](#) [1408-3](#) [1424-4](#) [1426-3](#) [1427-3](#) [1427-4](#) [1428-3](#) [1419-4](#) [1424-3](#) [1426-4](#) [1428-4](#) [MPS 1 BLACK](#) [1520150-1](#) [1548-103](#) [1801-0-15-15-30-27-04-0](#) [1938-0-00-00-00-00-03-0](#) [1942-0-00-00-00-00-03-0](#) [2101-3-00-44-00-00-07-0](#) [2104-2-01-44-00-00-07-0](#) [2108-2-00-50-00-00-07-0](#) [2108-3-00-44-00-00-07-0](#) [2109-2-00-44-00-00-07-0](#) [2110-2-00-44-00-00-07-0](#)