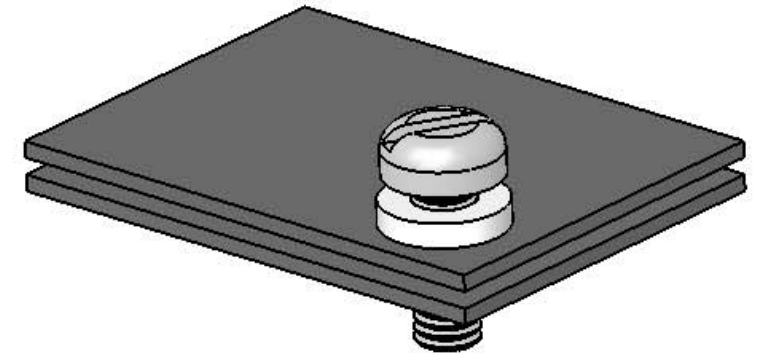
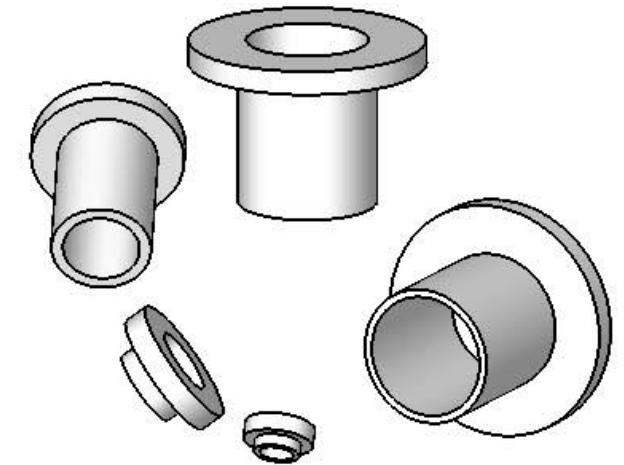
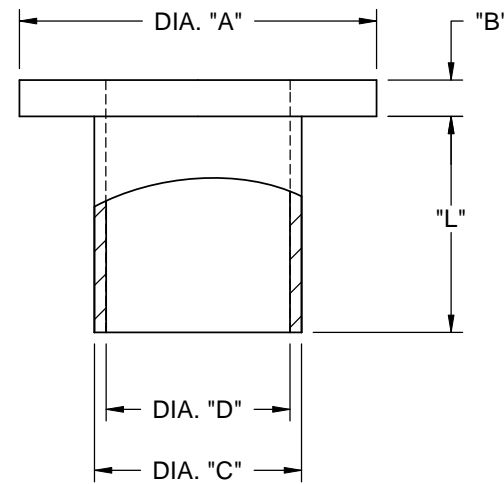
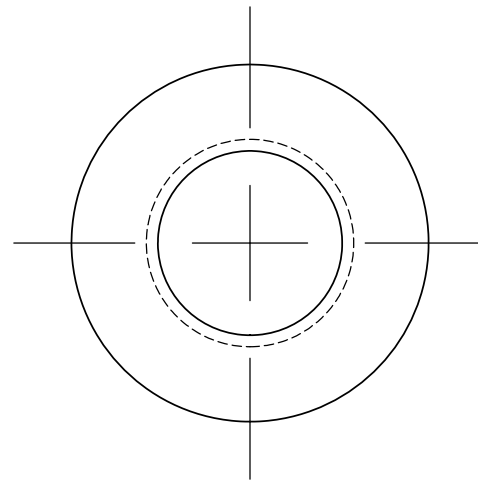


PART NO.	SCREW SIZE	"L" ± .015 (± 0.38)	"A" ± .007 (± 0.18)	"B" ± .007 (± 0.18)	"C" ± .005 (± 0.13)	"D" ± .005 (± 0.13)	MATERIAL	
MNI #2-2	#2 (M2.2)	.031 (0.8)	.181 (4.6)	.047 (1.2)	.120 (3.0)	.090 (2.3)	RMS-48	
MNI #2-4		.063 (1.6)						
MNI #4-2	#4 (M3)	.031 (0.8)	.235 (6.0)		.145 (3.7)	.115 (2.9)	RMS-01	
MNI #4-3		.046 (1.2)						
MNI #4-4		.063 (1.6)						
MNI #4-5		.084 (2.1)	.252 (6.4)		.140 (3.6)			RMS-48
MNI #4-6		.093 (2.4)						
MNI #4-8		.125 (3.2)	.235 (6.0)		.145 (3.7)			RMS-01
MNI #4-10		.156 (4.0)						RMS-48
MNI #4-12		.187 (4.8)						RMS-01
MNI #4-16		.250 (6.4)						
MNI #4-24		.375 (9.5)						
MNI #5-3	#5 (M3)	.051 (1.3)		.370 (9.4)		.236 (6.0)	.128 (3.3)	RMS-48
MNI #6-2	#6 (M3.5)	.031 (0.8)	.290 (7.4)	.170 (4.3)	.140 (3.6)			
MNI #6-4		.063 (1.6)						
MNI #6-6		.093 (2.4)						
MNI #6-8		.125 (3.2)						
MNI #6-12		.187 (4.7)						
MNI #6-16		.250 (6.4)						
MNI #6-24		.375 (9.5)						
MNI #6-32		.500 (12.7)						
MNI #8-2	#8 (M4)	.031 (0.8)	.344 (8.7)	.205 (5.2)	.173 (4.4)	RMS-01		
MNI #8-4		.063 (1.6)						
MNI #8-6		.093 (2.4)						
MNI #8-8		.125 (3.2)						
MNI #8-12		.187 (4.7)		.063 (1.6)	RMS-48			
MNI #8-16		.250 (6.4)						
MNI #8-24		.375 (9.5)						
MNI #8-32		.500 (12.7)						
MNI #10-4	#10 (M5)	.063 (1.6)	.399 (10.1)	.260 (6.6)	.200 (5.1)	RMS-01		
MNI #10-6		.093 (2.4)						
MNI #10-8		.125 (3.2)						
MNI #10-12		.187 (4.7)						
MNI #10-16		.250 (6.4)						
MNI #10-24		.375 (9.5)						
MNI #10-32	.500 (12.7)							
MNI 1/4-6	1/4 (M6)	.093 (2.4)	.513 (13.0)	.065 (1.7)	.312 (8.0)	.260 (6.6)	RMS-48	
MNI 1/4-12		.187 (4.7)						
MNI 1/4-16		.250 (6.4)						
MNI 1/4-24		.375 (9.5)						
MNI 1/4-32		.500 (12.7)						
MNI 5/16-6	5/16 (M8)	.093 (2.4)	.620 (15.7)	.063 (1.6)	.360 (9.1)	.320 (8.1)		
MNI 5/16-16		.250 (6.4)						
MNI M2.5-1.3	M2.5	.051 (1.3)	.248 (6.3)	.047 (1.2)	.138 (3.5)	.114 (2.9)	RMS-01	
MNI M2.5-3.6		.142 (3.6)		.059 (1.5)	.110 (2.8)			
MNI M3-1.0	M3	.039 (1.0)	.280 (7.1)	.039 (1.0)	.150 (3.8)	.122 (3.1)	RMS-48	
MNI M3-2.5		.098 (2.5)						
MNI M3-1.3		.051 (1.3)		.347 (8.8)	.047 (1.2)	.236 (6.0)	.126 (3.2)	RMS-01
MNI M3-3.5		.137 (3.5)		.280 (7.1)	.039 (1.0)	.150 (3.8)	.122 (3.1)	RMS-48



NOTES:
1. MATERIAL: NYLON 6/6 UL 94 V-2
2. COLOR: NATURAL

P	SEE CO 200276 FOR CHANGES	SK	11/12/08
-	SEE ENGINEERING FOR REV A-O	-	-
REV.	DESCRIPTION	ENGR.	DATE

TITLE: MOLDED NYLON INSULATORS				DWG IN IN [MM]		FINAL	
CREATED USING SOLIDWORKS	FILE #: MNI	DWN: SM	APP: SM	FINAL			
TOLERANCES UNLESS NOTED .XX=±.010 .XXX=±.005 FRAC.=±1/64 ANG.=±1°	SHEET: 1 OF 1	SHEET SIZE: B	DT: 10/01/04	CHKD: SJ	PART #		PRINT TYPE
RE: RICHCO, INC.		RICHCO, INC. ENG@RICHCO-INC.COM (773) 539-4060		SEE TABLE		CA	

X-ON Electronics

Largest Supplier of Electrical and Electronic Components

Click to view similar products for [Screws & Fasteners](#) category:

Click to view products by [Richco](#) manufacturer:

Other Similar products are found below :

[5721-1440-1/4-SS](#) [593503FX](#) [0098.0094](#) [0098.9206](#) [0098.9219](#) [0098.9221](#) [0098.9262](#) [596-2114-013](#) [59781-4](#) [59781-6](#) [0098.0026](#)
[0098.9210](#) [0098.9212](#) [60227-01](#) [60227-04](#) [60227-08](#) [60228-09](#) [618-00001](#) [62153-03](#) [62153-11](#) [M316-KSSTMCZ100](#) [M3440-SS](#) [M3442-SS](#) [M3448-SS](#) [6291A](#) [6292-1](#) [6-306105-9](#) [6-306131-4](#) [690432-1](#) [699161-000](#) [700989](#) [7-18023-1](#) [7-21002-8](#) [7230-3](#) [7235-3](#) [7248-1](#) [7248-2](#)
[73542-02](#) [CAPTIVE SHORT THUMBSCREW](#) [745564-1](#) [748174-2](#) [F03-02](#) [SUS316](#) [F1209](#) [751-00001](#) [80011](#) [809704-1](#) [8700](#) [8860220](#)
[9047](#) [95000002B](#) [9885-2](#)