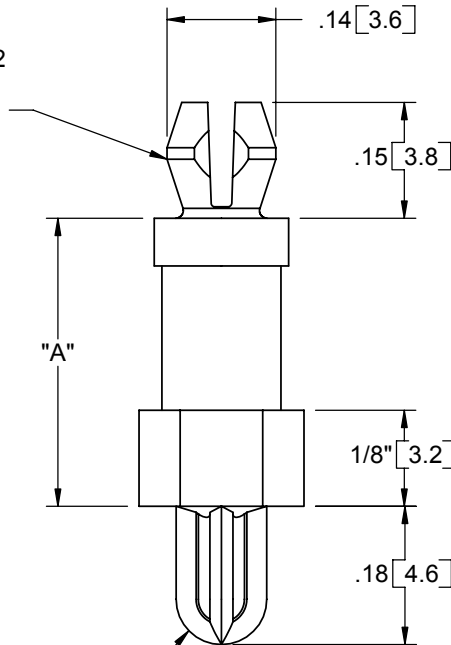
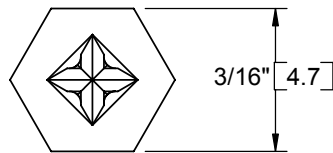


TO SNAP-FIT IN A  $.125 \pm .002$  [3.18 ± 0.05] DIA. HOLE, IN A  $.062$  [1.57] THICK BOARD



TO SELF-THREAD INTO A #4 OR M3 THREADED HOLE, WITH  $.063$  [1.6] MINIMUM ENGAGEMENT



NOTES:  
 1. MATERIAL: NYLON 6/6 (RMS-01).  
 2. COLOR: NATURAL.

PART NO.	DIM. "A"
MSPMST-2-01	1/8 [3.2]
MSPMST-3-01	3/16 [4.8]
MSPMST-4-01	1/4 [6.4]
MSPMST-5-01	5/16 [7.9]
MSPMST-6-01	3/8 [9.5]
MSPMST-7-01	7/16 [11.1]
MSPMST-8-01	1/2 [12.7]
MSPMST-9-01	9/16 [14.3]
MSPMST-10-01	5/8 [15.9]

TITLE: **MINI SUPPORT POST, MICRO, SELF-THREADING**

A	RELEASED FOR PRODUCTION	SM 08/10/04
---	-------------------------	----------------

R E V	DESCRIPTION	ENGR. DATE
-------------	-------------	---------------

DWG IN IN [MM]

<small>CREATED USING SOLIDWORKS</small> <small>TOLERANCES UNLESS NOTED</small> <small>.XX=±.010</small> <small>.XXX=±.005</small> <small>FRAC.=±1/64</small> <small>ANG.=±1°</small>	FILE #: MSPMST SHEET: 1 OF 2 RE: RICHCO, INC.	SHEET SIZE: A DWN: SM/RT DT: 06/30/04	APP: RT CHKD: RDG	PRELIMINARY PART # <b>SEE TABLE</b>	PRINT TYPE <b>CA</b>
---	---	---	----------------------	---	-------------------------

**RICHCO, INC.**  
 ENG@RICHCO-INC.COM  
 (773) 539-4060

## X-ON Electronics

Largest Supplier of Electrical and Electronic Components

*Click to view similar products for [Circuit Board Hardware - PCB category](#):*

*Click to view products by [Richco manufacturer](#):*

Other Similar products are found below :

[8919-0-00-15-00-00-03-0](#) [0132-0-15-01-30-27-04-0](#) [0135-0-15-01-30-27-04-0](#) [5970-1-15-01-32-14-04-0](#) [0132-0-15-15-30-27-04-0](#) [0135-0-15-15-30-27-04-0](#) [0149-0-15-15-30-27-04-0](#) [MBI 1 BLUE](#) [7305-0-15-15-47-14-10-0](#) [MKU 1 BLACK](#) [MLN 150/1 BLACK](#) [8579-0-15-80-11-27-10-0](#) [8579-1-15-15-11-27-10-0](#) [8637-0-15-15-21-14-10-0](#) [8830-0-15-01-22-14-10-0](#) [8836-0-00-21-00-00-03-0](#) [PRUEF 2 RED](#) [9976-0-00-00-00-00-03-0](#) [1178-0-01-80-00-00-03-0](#) [PW1616](#) [1215-3-05-00-00-00-01-0](#) [1303-0-15-15-47-14-04-0](#) [1404-3](#) [1404-4](#) [1406-4](#) [1407-3](#) [1406-3](#) [1407-4](#) [1408-3](#) [1424-4](#) [1426-3](#) [1427-3](#) [1427-4](#) [1428-3](#) [1419-4](#) [1424-3](#) [1426-4](#) [1428-4](#) [MPS 1 BLACK](#) [1520150-1](#) [1548-103](#) [1801-0-15-15-30-27-04-0](#) [1938-0-00-00-00-00-03-0](#) [1942-0-00-00-00-00-03-0](#) [2101-3-00-44-00-00-07-0](#) [2104-2-01-44-00-00-07-0](#) [2108-2-00-50-00-00-07-0](#) [2108-3-00-44-00-00-07-0](#) [2109-2-00-44-00-00-07-0](#) [2110-2-00-44-00-00-07-0](#)